

~~LASERWASH® 4000~~



Pictorial Parts Catalog

PDQ Part #86090



PDQ Manufacturing Inc.

1698 Scheuring Rd
De Pere, WI 54115 USA
Phone (920) 983-8333
Fax (920) 983-8330

Note: Part numbers denoted in * are 4000 specific.

This catalog contains most standard replacement parts for 60Hz Domestic applications which are generally voltages of 208-240/480 VAC. If your specific requirements differ, please contact PDQ for alternate part numbers specific to your application.

PDQ Manufacturing Inc.
Effective Date: 10/15/2005
Rev05



Vehicle Wash Systems

A DOVER COMPANY

© 2005 PDQ Manufacturing Inc.

Pictorial Parts Catalog

Table of Contents

Section 1.....BRIDGE

	PG#
LaserWash Trolley Sub-Assembly.....	9-10
LaserWash Bridge Assembly.....	11-12
Spray Arch Breakaway Assembly.....	13
Side Spray Arch.....	14
Top Spray Arch.....	15
Dump Valve Assembly.....	16
Joystick Junction Box (J6).....	17
T-Bar Breakaway Assembly.....	18-19
LaserWash Festoon Parts.....	20
LaserWash Electrical Boxes.....	21-22
LaserWash (J0) Main Control Cabinet.....	23-24
Overhead Manifold.....	25
Floor Equipment.....	26-27
Virtual Treadle.....	28-32
Under Carriage.....	33
Command Post.....	34
Fiberglass Cover w/Decals.....	35

Section 2.....VERTICAL PUMP STATION

High Pressure Pump Drive-Vertical.....	39-40
LaserWash 4000 Low Pressure Pumps.....	41
Vertical Pump Station Panel.....	42-43
Optional Solenoid Valves-Vertical.....	44
Solution Manifold-Vertical.....	45
Low Pressure Manifold Options.....	46
Vertical Pump Station Tanks.....	47
Vertical Pump Station Tanks (Old Assy).....	48
On-Board Heater Tank.....	49
Solution Hoses.....	50

Pictorial Parts Catalog

Section 2.....VERTICAL PUMP STATION (Cont'd)

	PG#
J1A Electrical Box-Vertical Pump Station.....	51
Wheel Cleaner Option.....	52
Wheel Cleaner Spray Assembly.....	53
Rust Inhibitor Option-L4063.....	54
Gatling Guns Option.....	55
3X Color Foam Spray Manifold Option.....	56-58
Productivity Package Option.....	59-60
Festoon Trolley Assembly for 3X Color Foam and Productivity Package.....	61

Section 3.....SLIMLINE PUMP STATION

High Pressure Pump Drive-SlimLine-General Pump.....	65
High Pressure Pump Drive-SlimLine-Cat Pump.....	66
Low Pressure In-Bay Pump Station.....	67
High Pressure Storage Tank Float Valve Assembly.....	68
High Pressure Storage Tank Check Valve Assembly.....	69
Low Pressure Float Valve Assembly.....	70
Spot Free and Solution Pumps.....	71
Electrical Boxes-SlimLine Pump.....	72

Section 4.....WATER RECLAMATION SYSTEM

Water Reclamation System.....	75
-------------------------------	----

Pictorial Parts Catalog

Section 5.....PICTORIAL PARTS CATALOG

PG#

LaserDri Nozzles and Covers.....	79
LaserDri Drive and Side Ducts.....	80
LaserDri Oscillation and Air Inlet.....	81
LaserDri Center Nozzle.....	82
Laserwind Docking Roller and Magnet.....	83
Electrical Boxes-30HP Laserdri.....	84-85

Section 6.....M5 SPECIFIC

PG#

Bridge, Trolley, and Arch.....	89-91
Pump, Equipment Room.....	92-93
Signs.....	94-96
Controls.....	97-98
Maintenance Box.....	99
Recommended Spare Parts Kit.....	100



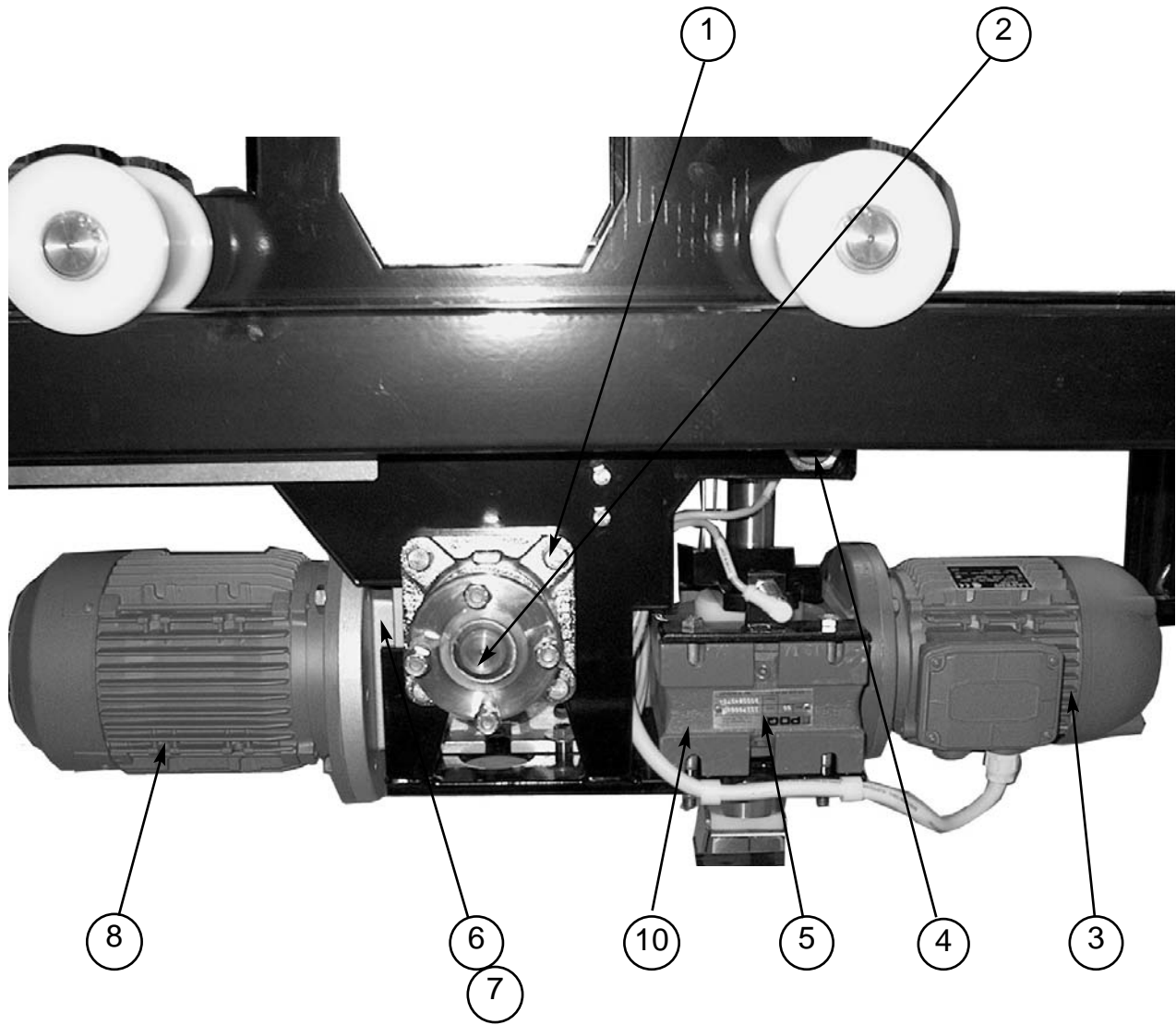
Vehicle Wash Systems

A  COMPANY


Section 1
BRIDGE

~~LASERWASH® 4000~~

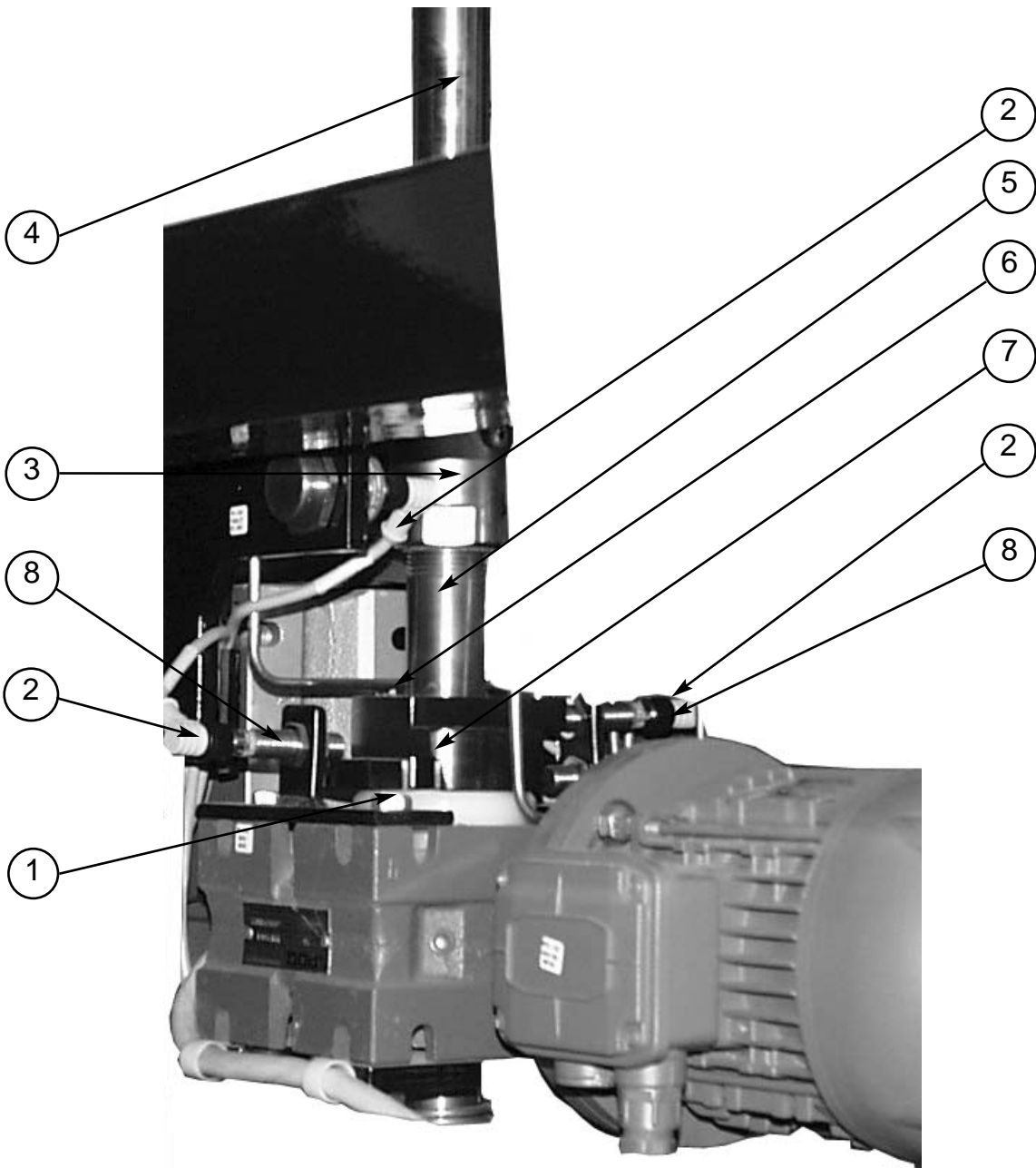





PART	PART #	DESCRIPTION
1	10217-N	4 BOLT BEARING
2	M600006	AXLE SHAFT (2)
3	38009-D	1/2 HP MOTOR
4	93025	30mm PROX SWITCH (3)
5	19052-1	50:1 INDEX GEARBOX
6	19051	30:1 GEARBOX (GRAY)(ONLY FOR LASER S/N<1964)
7	19053	50:1 GEARBOX (BLUE)
8	38013-J	1.3 HP MOTOR
9	M690046	KEY 5/16x5/16x25.5 TROLLEY MOTOR&SHAFT (N/S)
10	11920	BREATHER, 1/8NPT, NIPPLE, HEX, 1/4"NPT, BRS

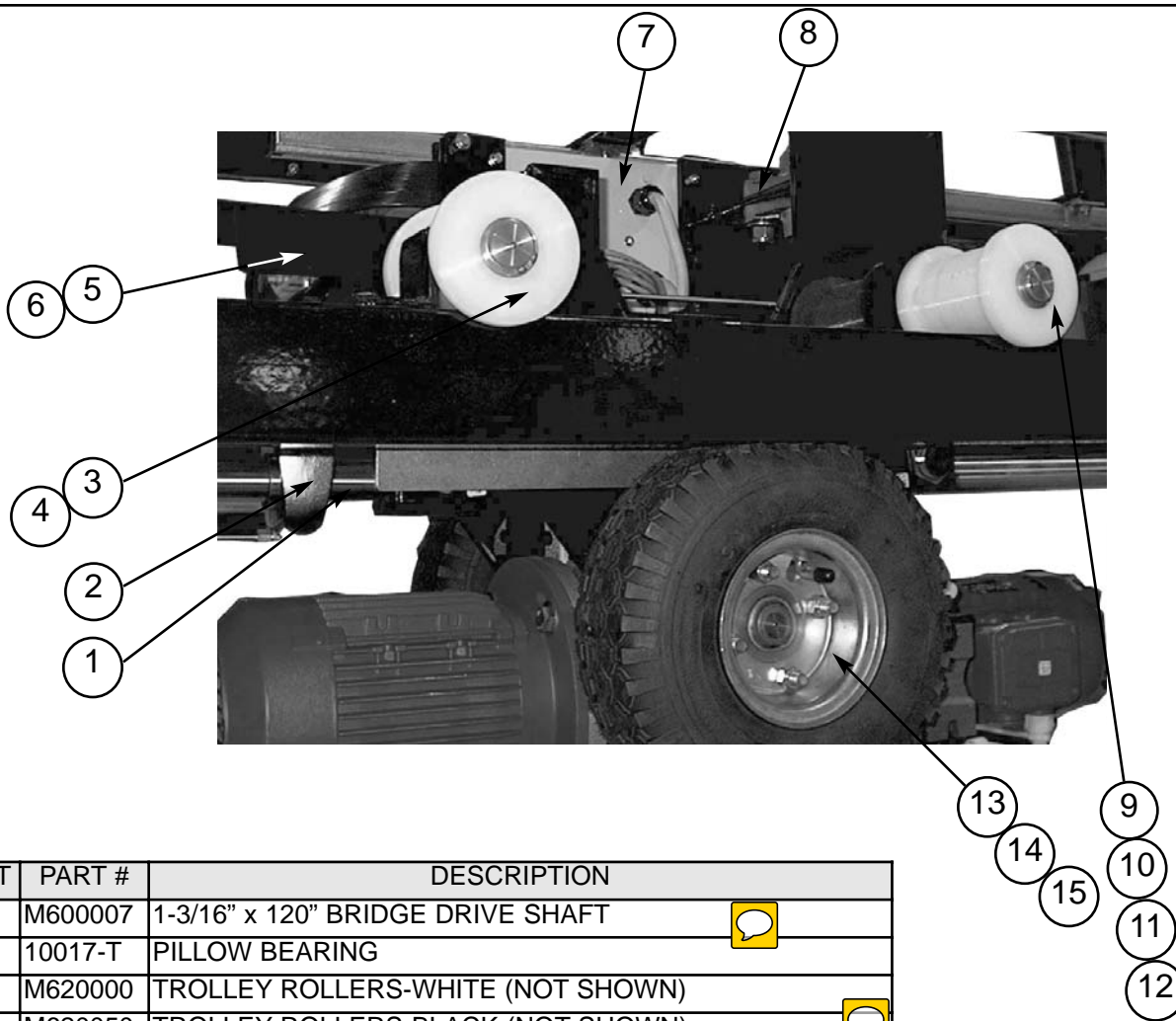
		PDQ MANUFACTURING, INC. De Pere, WI A DOVER COMPANY	
TITLE		TROLLEY SUB-ASSEMBLY	
DRAWING:	N/A	REV:	00
		SHEET:	1 of 2

PICTORIAL PARTS CATALOG - CONFIDENTIAL



PART	PART #	DESCRIPTION
1	M640011	UHMW WASHER
*2	34370	90 DEGREE CORD (7)
3	66500	1" STRAIGHT SWIVEL
4	M550007	PIPE BENT, BRIDGE OVERHEAD
5	M600001	HOLLOW SHAFT
6	73250-SCS	SET SCREW
7	M640000	INDEX CAM
8	93020	12mm PROX SWITCH (3) ARCH ROTATE
9	11920	GEARBOX BREATHER (NOT SHOWN)
10	67052-4B	1/4" NIPPLE (NOT SHOWN)
*11	04200017	COMPLETE PROX CORDSET KIT (NOT SHOWN)

		PDQ MANUFACTURING, INC. De Pere, WI <small>A DOVER COMPANY</small>
TITLE		TROLLEY SUB-ASSEMBLY
DRAWING: N/A	REV: 00	SHEET: 2 of 2

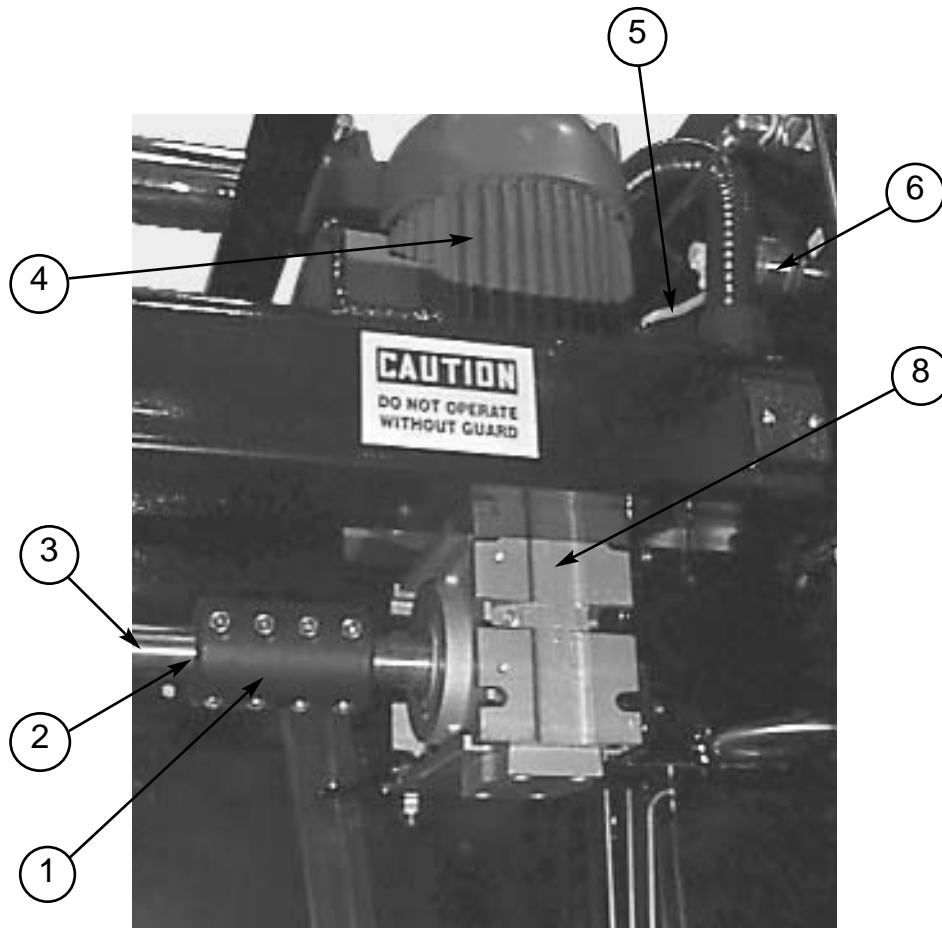


PART	PART #	DESCRIPTION
1	M600007	1-3/16" x 120" BRIDGE DRIVE SHAFT
2	10017-T	PILLOW BEARING
*3	M620000	TROLLEY ROLLERS-WHITE (NOT SHOWN)
*4	M620050	TROLLEY ROLLERS-BLACK (NOT SHOWN)
*5	M520490	MOUNTING BRACKET,SST
*6	07020099	BRACKET,WIDTH MEASURE EYE MAIN SUPPORT
*7	35055	J4-TROLLEY ELEC. CLOSURE
8	10320-N	FLANGE BEARING (2)
*9	M600004	SHAFT TROLLEY ROLLER (OLD STYLE)
*10	M640009	TROLLEY WASHER (DOCK MACHINE)
*11	M640010	TROLLEY WASHER (BRIDGE TROLLEY)
*12	13950	SNAP RING
13	16901	TUBES (2)
14	16900	TIRES (2)
15	16902-S	RIMS (4)
BRIDGE ROLLERS AND SHAFTS		
16	M600016	SHAFT (BRIDGE ROLLER) (STD L4000)
*17	M600040	SHAFT (BRIDGE ROLLER) (DOCKING L4001)
*18	M620000	STD. L4000 BRIDGE ROLLERS-WHITE
*19	M620050	STD. L4000 BRIDGE ROLLERS-BLACK
*20	M620058	DOCKING L4001 BRIDGE ROLLERS-WHITE
*21	M620059	DOCKING L4001 BRIDGE ROLLERS-BLACK
22	M600002	BRIDGE AXLE P.S.=15"
23	M600003	BRIDGE AXLE D.S.
24	06010016	BEARING INSERT,SST
25	17024	SEAL (NOT REQUIRED W/ SST BEARINGS)
	M640009	FLAT WASHER, SST

PDQ PDQ MANUFACTURING, INC.
De Pere, WI
A DOVER COMPANY

TITLE BRIDGE ASSEMBLY

DRAWING: N/A REV: 00 SHEET: 1 of 2

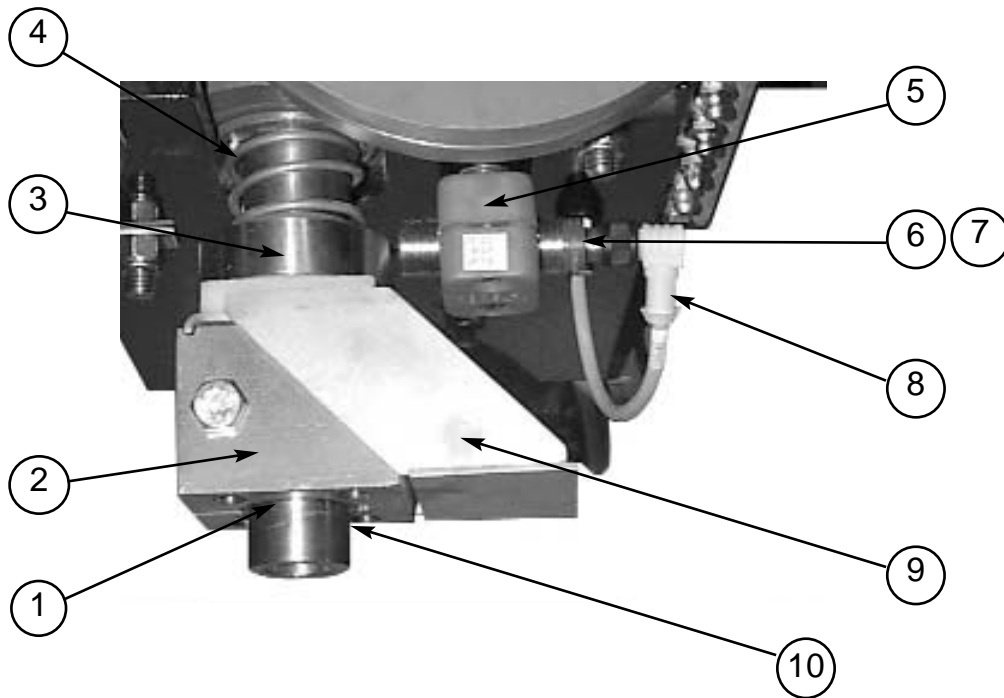


PART	PART #	DESCRIPTION
1	13202	DRIVE COUPLING (2)
2	M690044	1/4x1/4x2 KEY (2) (COU)
3	M600007	1-3/16"x120" SHAFT
4	38013-J	1.3 HP MOTOR
*5	34370	90 DEGREE CORD
6	93026	PROX. SWITCH (3)
7	19051	30:1 BRIDGE GEAR BOX (OLD STYLE)
8	19053	50:1 All docking lasers or Reg. Lasers S/N>1964
9	M690047	5/16x5/16x2 1/4 KEY GEARBOX TO MOTOR(N/S)
10	04200018	PROX CORD SET KIT (3 PROX CABLES)




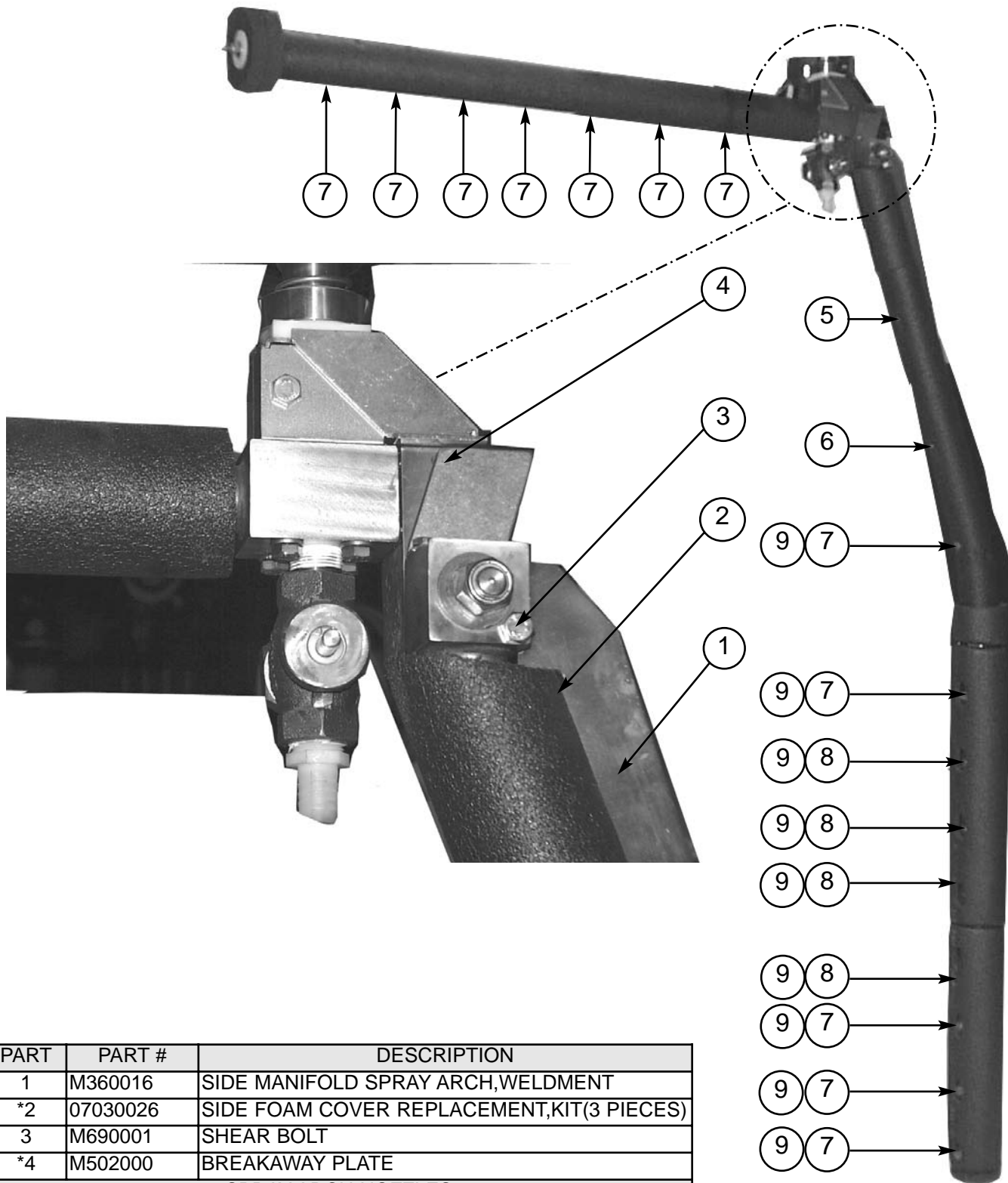
PDQ MANUFACTURING, INC.
De Pere, WI
A DOVER COMPANY

TITLE		BRIDGE DRIVE TRAIN ASSEMBLY	
DRAWING:	REV:	SHEET:	
N/A	00	2 of 2	



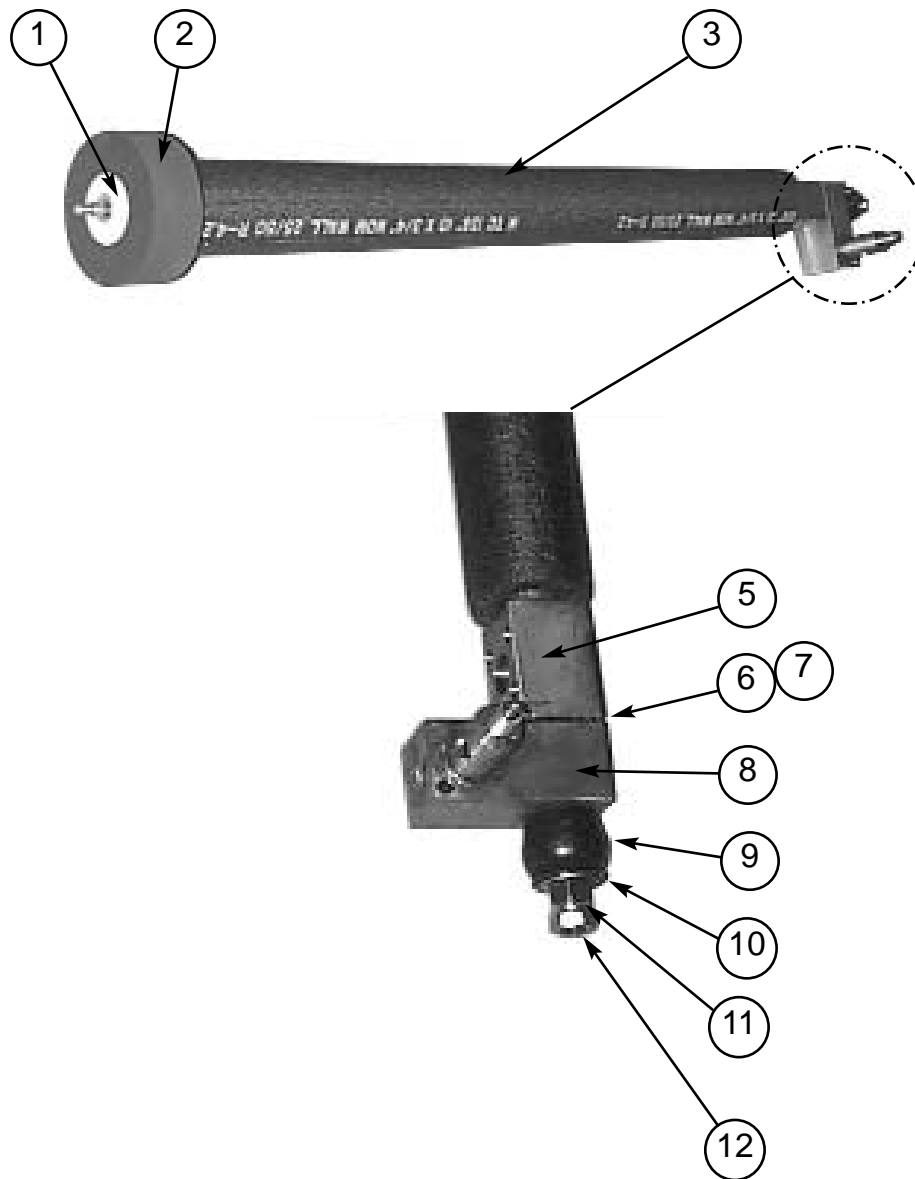
PART	PART #	DESCRIPTION
1	M690045	KEY
2	M660002	BLOCK CLAMP-SPRAY ARCH
3	M290027	LIFT BLOCK ASSEMBLY
4	92010	COMP. SPRING
5	75037	CLAMP TUBE 18mm GR.II
6	93021	IMPACT PROX. SWITCH
7	93024	PROX,18mm,NPN,UNSHLD,ENG-BRL,12mm-QD,M5
*8	34370	90 DEGREE PROX CORD SET
*9	M330007	LIFT PLATE-IMPACT
10	70186-HCS	SCREW,HHCS,3/8-16UNCx2-1/2,SST (4)

	PDQ MANUFACTURING, INC. De Pere, WI <small>A DOVER COMPANY</small>	
	TITLE SPRAY ARCH, BREAKAWAY ASSEMBLY	
DRAWING: N/A	REV: 00	SHEET: 1 of 4



PART	PART #	DESCRIPTION
1	M360016	SIDE MANIFOLD SPRAY ARCH,WELDMNT
*2	07030026	SIDE FOAM COVER REPLACEMENT,KIT(3 PIECES)
3	M690001	SHEAR BOLT
*4	M502000	BREAKAWAY PLATE
SPRAY ARCH NOZZLES		
5	64152-4M	4003 NOZZLE (1)
6	64116-4M	2503 NOZZLE (1)
7	64082-4M	1504 NOZZLES (11)
8	64084-4M	1505 NOZZLES (5)
9	65942	NOZZLE PROTECTORS (9)
10	67601-S	1/4" SST PLUG (NOT SHOWN)
11	KIT010	COMPLETE ARCH & UNDERBODY NOZZLE KIT

PDQ		PDQ MANUFACTURING, INC. De Pere, WI <small>A DOVER COMPANY</small>
TITLE		M920016 SIDE SPRAY ARCH ASSEMBLY
DRAWING:	REV:	SHEET:
N/A	00	2 of 4



PART	PART #	DESCRIPTION
*1	M620004	SAFETY ROLLER INSERT (2)
*2	M620003	SAFETY ROLLER
*3	06160032	FOAM COVER
*4	M920015	TOP SPRAY ARCH ASSEMBLY(complete w/ all items shown)
*5	M360002-7	TOP MANIFOLD SPRAY ARCH
6	KIT OO7	O-RING KIT
7	11825	BALL BEARINGS (4)
8	M360001	MANIFOLD WELDMENT
9	15087	GBA BUMPER
10	71517-FS	FLAT WASHER 5/8
11	71017-JCS	JAM NUT 5/8
12	71017-NCS	NYLOC 5/8



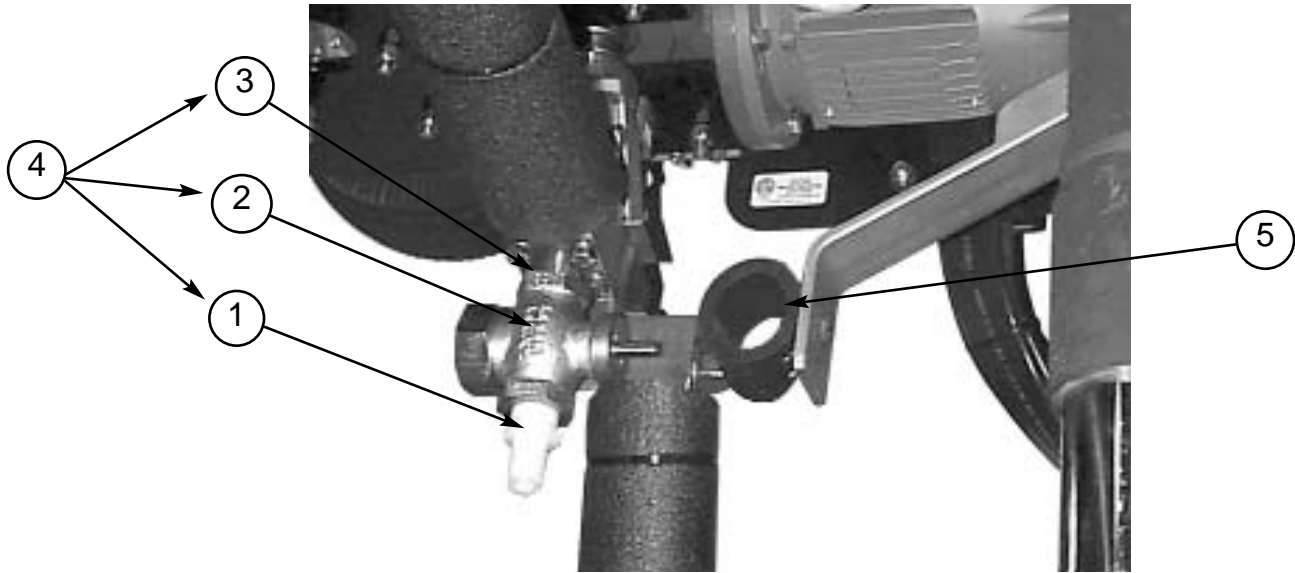
PDQ MANUFACTURING, INC.
De Pere, WI
A DOVER COMPANY

TITLE M920015 TOP SPRAY ARCH ASSEMBLY


DRAWING:
N/A

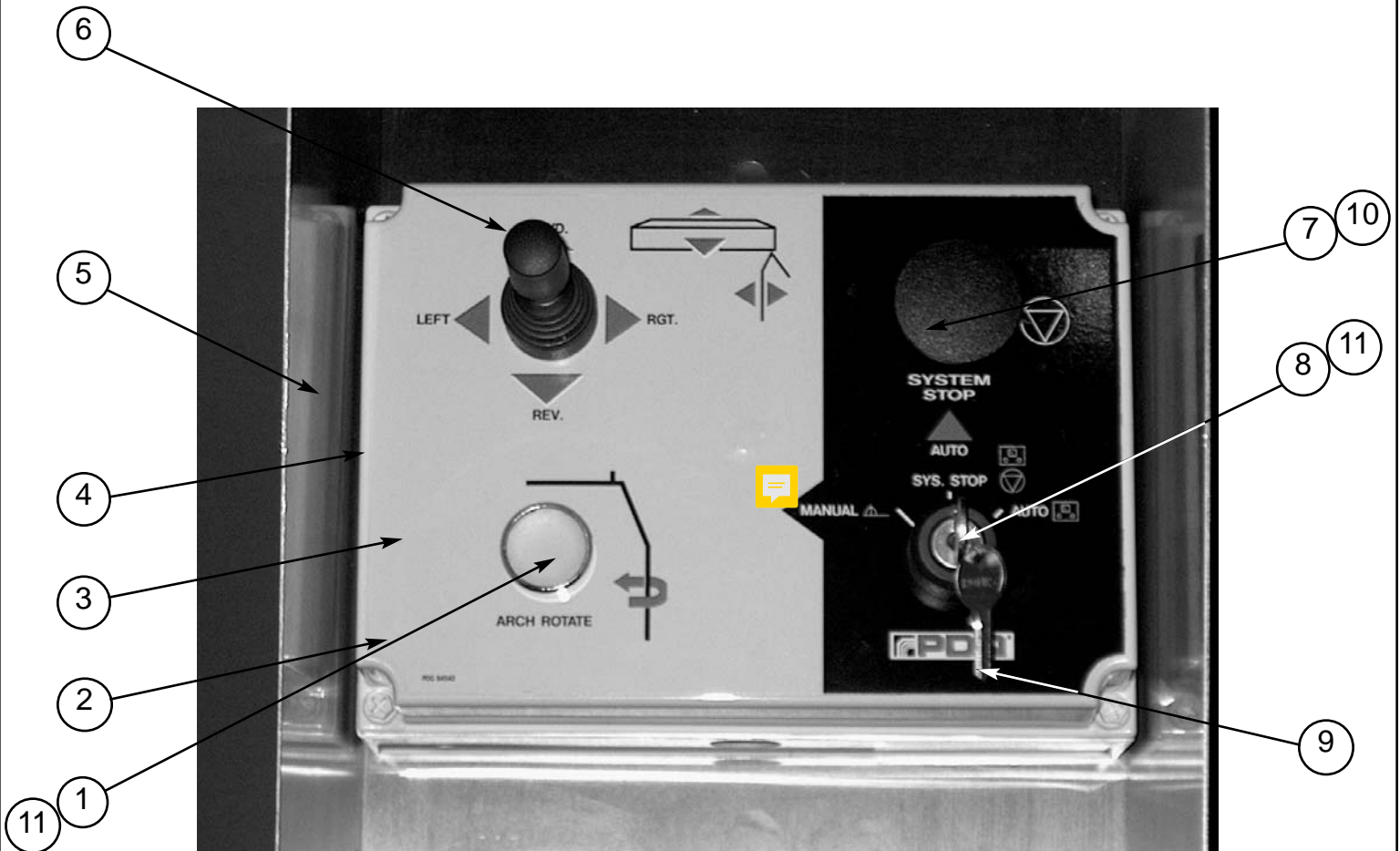
REV:
00

SHEET:
3 of 4




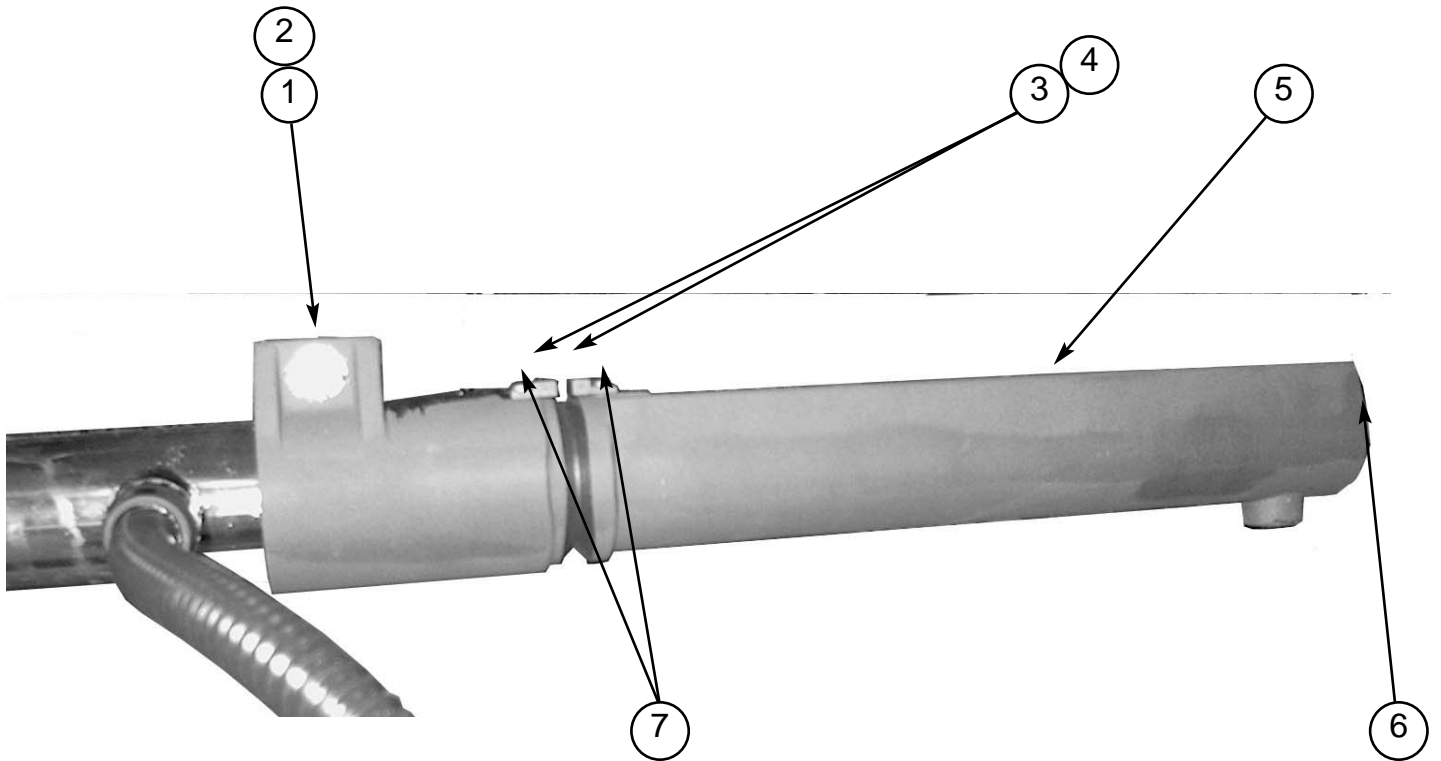
PART	PART #	DESCRIPTION
*1	68123-MHN	HOSE BARB
*2	03010035	DUMP VALVE 3/4"
*3	67014-4B	NIPPLE 3/4" x CLOSED
*4	M920018	DUMP VALVE ASSEMBLY
*5	M920026	DUMP VALVE BRACKET ASSEMBLY

		PDQ MANUFACTURING, INC. De Pere, WI <small>A DOVER COMPANY</small>	
TITLE		* DUMP VALVE ASSEMBLY	
DRAWING:	REV:	SHEET:	
N/A	00	4 of 4	




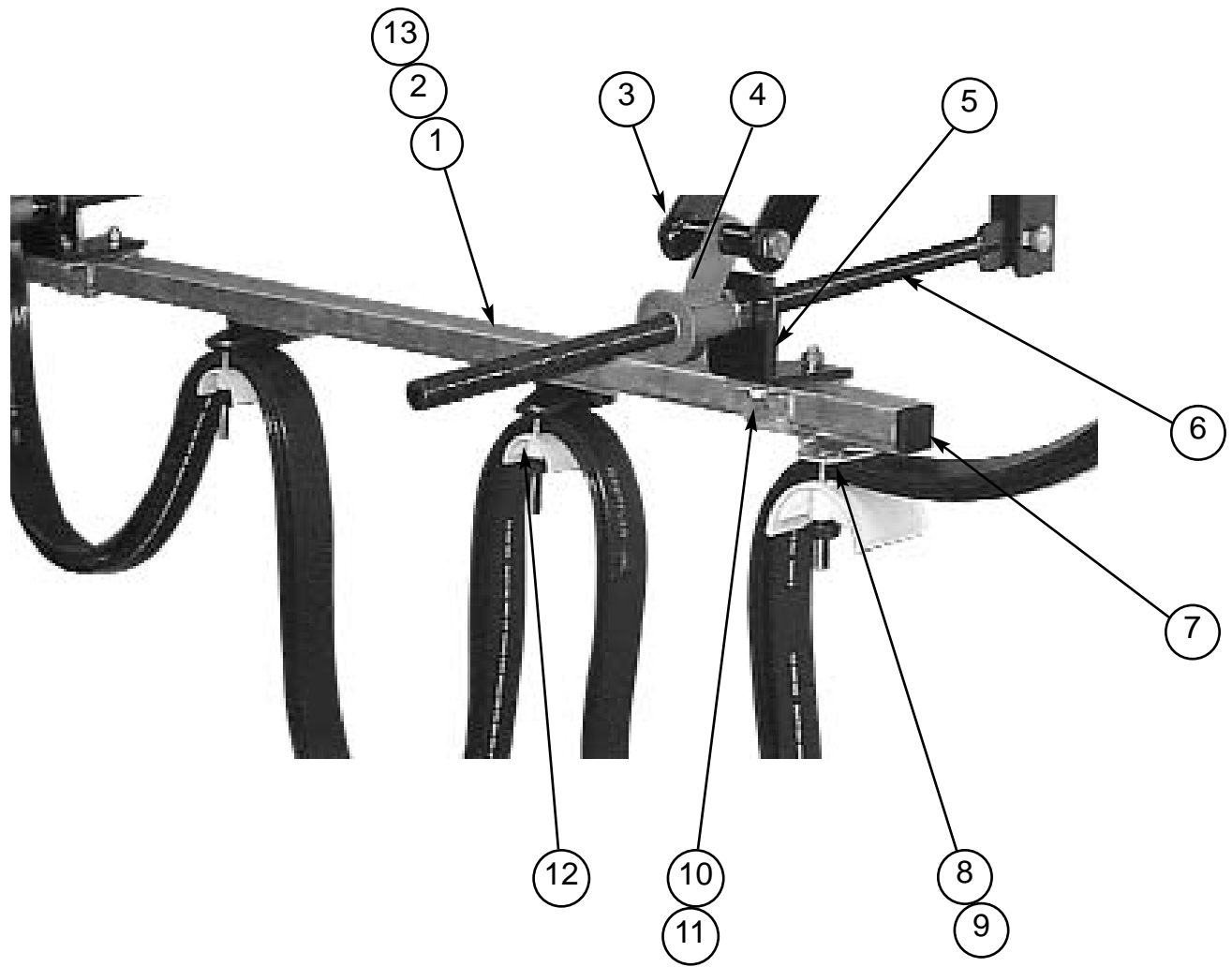
PART	PART #	DESCRIPTION
*1	04040019	PB SWITCH
2	84540	DECAL, JOYSTICK
*3	35070-C	ENCLOSURE COVER
*4	35070	ENCLOSURE BOX
*5	M381101	JOYSTICK SHROUD
*6	31901	JOYSTICK, 4 POSITION NO SPRING RETURN
7	04040015	SYSTEM STOP SWITCH
8	04040003	KEY SWITCH 3-POS
9	02130001	REPLACEMENT KEYS
10	04010004	CONTACT,IP,NC (1) (NOT SHOWN)
11	04010003	CONTACT,IP,NO (3) (NOT SHOWN)

	PDQ MANUFACTURING, INC. De Pere, WI <small>A DOVER COMPANY</small>	
	TITLE M104301 JOYSTICK JUNCTION BOX J6	
DRAWING: N/A	REV: 00	SHEET: 1 of 1



PART	PART #	DESCRIPTION
*1	70259-HFS	CAP SCREW
*2	71015-MCS	NY LOCKNUT
*3	93028	READ SWITCH SENSOR (DRIVER SIDE ONLY)
*4	93029	READ SWITCH ACTUATOR (DRIVER SIDE ONLY)
*5	M670000	T-BAR MOUNTING BRACKET
*6	81020	CAP 2-1/2" ROUND
*7	05040157	TEK-SCREWS
*8	78205	U BOLT (NOT SHOWN)

		PDQ MANUFACTURING, INC. De Pere, WI <small>A DOVER COMPANY</small>	
TITLE		* T-BAR BREAKAWAY ASSEMBLY	
DRAWING: N/A	REV: 00	SHEET: 1 of 2	



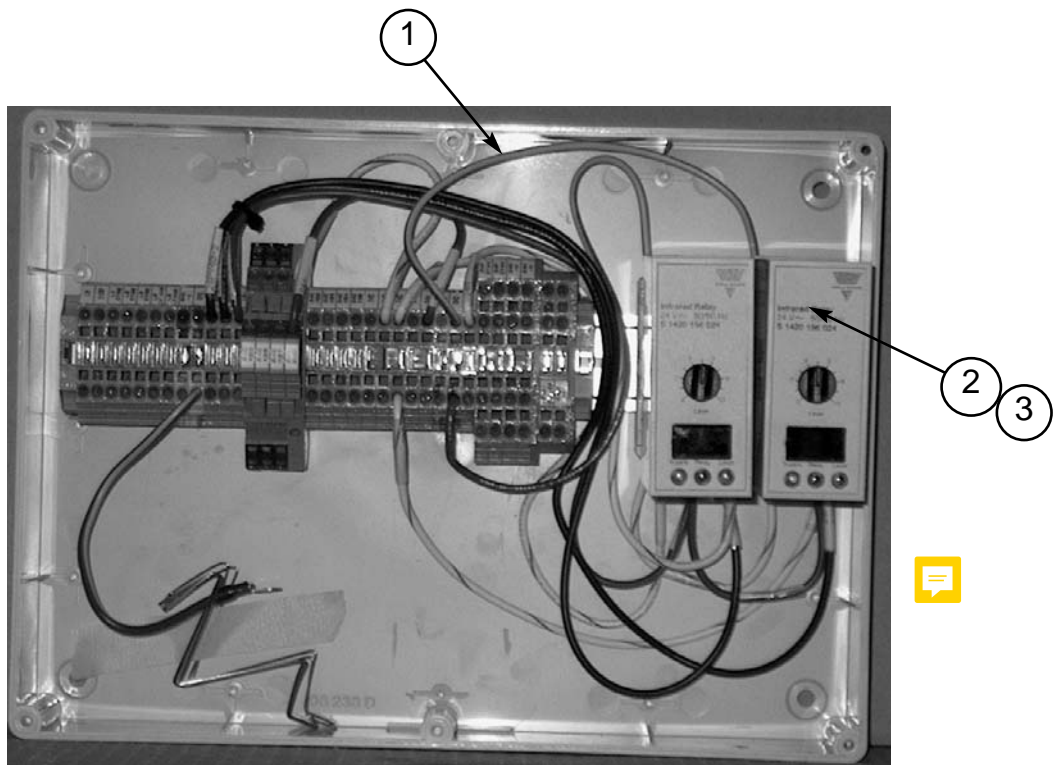
PART	PART #	DESCRIPTION
*1	34403	FESTOON TRACK RAIL (2)-GLVST
*2	06450009	FESTOON TRACK RAIL (2)-SST
3	M310093	RAIL SUPPORT BRACKET, WALL MOUNT
4	M310188	RAIL SUPPORT BUSHING
5	M530030	3" x 4" ANGLE W/ HOLES
6	M390124	14.62 TIE ROD
7	34401	TRACK CAP
8	34402	FESTOON CABLE CLAMP STATIONARY-GLVST
9	06140215	FESTOON CABLE CLAMP STATIONARY-SST
10	34405	FESTOON RAIL SUPPORT BRKT-GLVST
11	06140213	FESTOON RAIL SUPPORT BRKT-SST
12	34404	FESTOON ROLLER FOR RAIL (6)
13	06450021	CHANNEL,FESTOON,TRACK,AL,157.50,M5 (2)

ADDITIONAL FESTOON PARTS NOT SHOWN

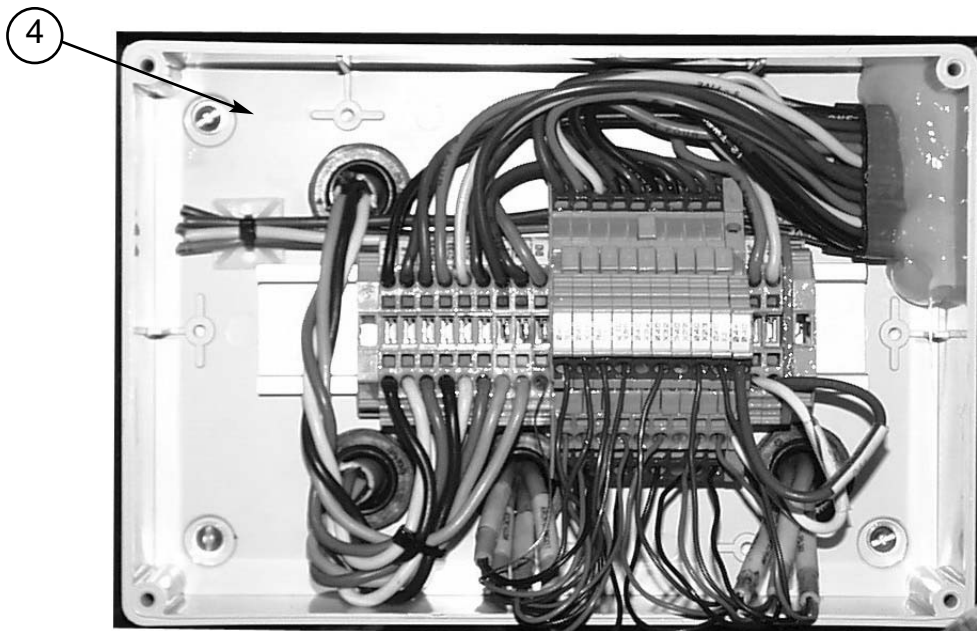
FLAT CABLE FESTOON

*04200009	BLUE
*04200007	RED
*04200008	YELLOW
04200010	GREEN
*34400	FESTOON JOINT CONNECTOR
*06140214	SST FESTOON JOINT CONNECTOR
06140647	BRACKET,FESTOON-COUPLING,M5,SST

	PDQ MANUFACTURING, INC. De Pere, WI <small>A DOVER COMPANY</small>	
	TITLE FESTOON KIT COMPLETE KIT072	
DRAWING: N/A	REV: 00	SHEET: 1 of 1




M100006 J3 ELECTRICAL BOX




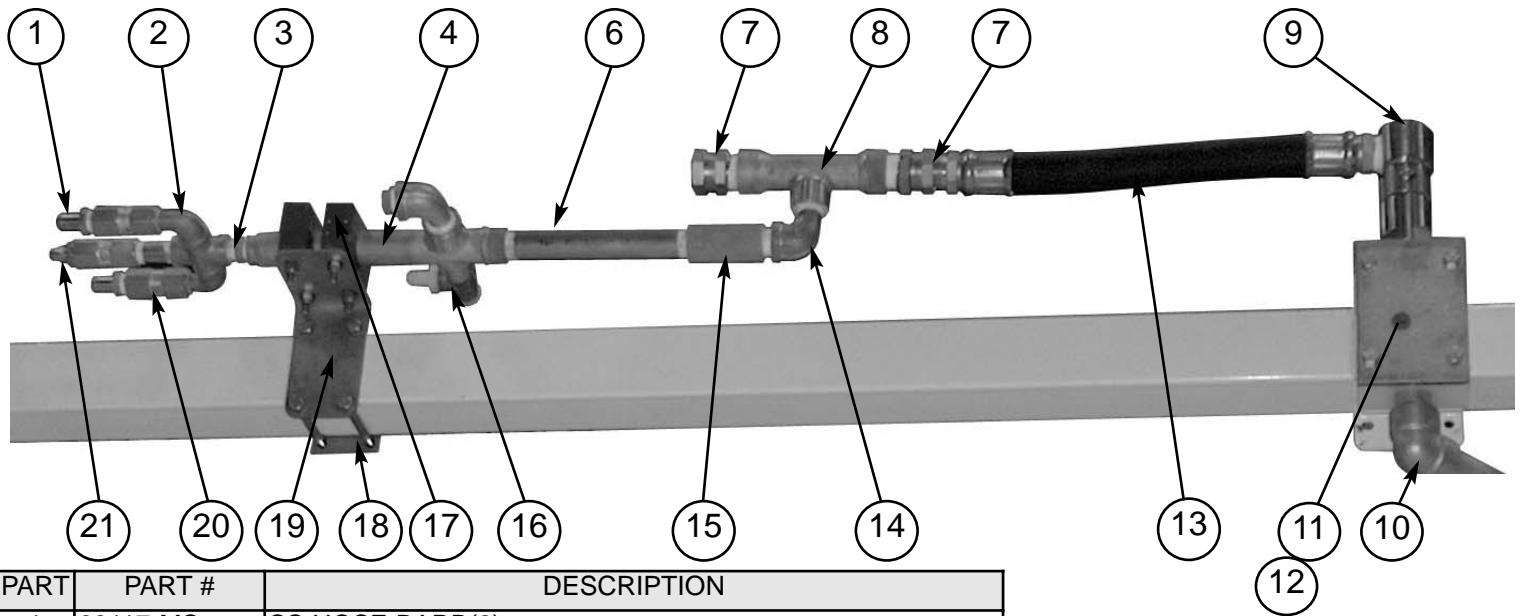
M100007 J4 ELECTRICAL BOX

PART	PART #	DESCRIPTION
*1	35050	ENCLOSURE J-3
2	93194	AMPLIFIER (2) PHOTO EYE
3	04060003	RELAY, 11-PIN, PHOTO EYE AMP (NOT SHOWN)
*4	35055	ENCLOSURE J-4
*5	32111	14 BL. RELAY SOCKET (NOT SHOWN)
*6	32110	14 BL. RELAY SOCKET (NOT SHOWN)
*7	32038	10 AMP 8 BL. RELAY (NOT SHOWN)
*8	32036	10 AMP 8 BL. RELAY (NOT SHOWN)

		PDQ MANUFACTURING, INC. De Pere, WI A DOVER COMPANY	
TITLE		ELECTRICAL BOXES	
		J3, J4	
DRAWING:		REV:	SHEET:
N/A		00	1 of 2


PART	PART #	DESCRIPTION
*1	94251	POWER SUPPLY & CABLE PRINTER
*2	04130006	LASER SPEED CONTROLLER(ABB)
*3	04170004	750VA TRANSFORMER
*4	38510	200VA TRANSFORMER (OLD)(NOT SHOWN)
*5	M239514	LASERMIND TEMP PROBE/SPEED CONTROL WIRE HARNESS A5000
*6	M239515	I/O CABLE A5000
*7	M239511	LASERMIND TEMP PROBE/SPEED CONTROL WIRE HARNESS A3000(NOT SHOWN)
*8	M239512	LASERMIND POWER CABLE (GREY)(NOT SHOWN)
*9	93500	INPUT MODULE
*10	39802	JO FAN - 1
*11	93502	OUTPUT MODULE
*12	32038	RELAY 8 BL.-DPDT
*13	32040	RELAY 8 BL.-14 BL PDT
*14	32111	RELAY SOCKET(14 BL.)
*15	93504	EXPANSION MODULE (IN BACK)
*16	38512	POWER SUPPLY A2000,24VAC (NOT SHOWN)
*17	93122	POWER SUPPLY A5000,24VDC,1.5A (NOT SHOWN)
*18	31082	SWITCH JO MAIN DISCONNECT
*19	31402	BOOT,MAIN DISCONNECT PROTECTION
*20	36580	POWER BLOCK (2)
*21	37639	C.B. 10A 1P 277V D TRIP
*22	37696	C.B. 25A 3P 460V D TRIP (SOAP HEAT) (NOT SHOWN)
*23	04030007	OVERLOAD SOL.PUMP4-6.3AMP
*24	04030005	OVERLOAD RELAY 1.6-2.5AMP
*25	37675	C.B. 16A 2P 460V D TRIP
*26	37688	C.B. 6A 3P 460V D TRIP
*27	04110022	CIRCUIT BREAKER 20AMP
*28	04020001	CONTACTOR(bridge,trolley,arch,solenoid pump and spotfree),9AMP
*29	04020002	CONTACTOR,22 AMP SOAP HEATER (NOT SHOWN)
*30	04020008	CONTACTOR,12 AMP RAIL HEAT (NOT SHOWN)
*31	37669	C.B. 10A 2P 460V D TRIP
*32	37667	C.B. 6A 2P 460V D TRIP
*33	04410006	FERRITE FILTER
*34	M239505	I/O CABLE FOR A2000/A4000 (NOT SHOWN)

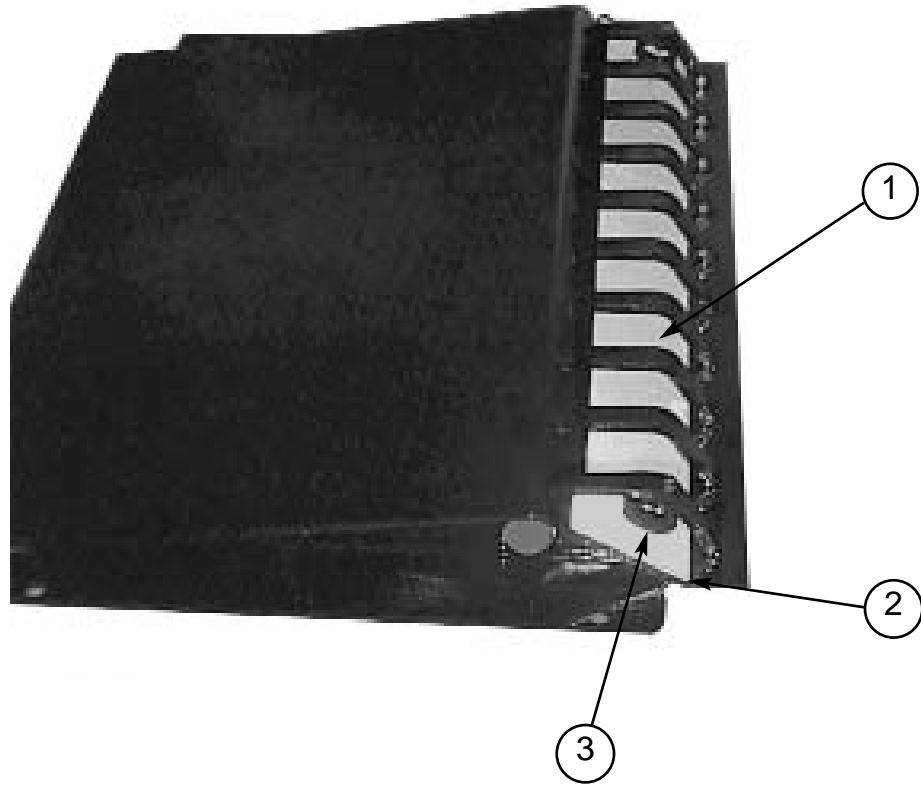
		PDQ MANUFACTURING, INC. De Pere, WI <small>A DOVER COMPANY</small>	
TITLE		*MAIN CONTROL CABINET JO M100128	
DRAWING: N/A		REV: 00	SHEET: 2 of 2



PART	PART #	DESCRIPTION
1	68117-MS	SS HOSE BARB(2)
2	M360062	CROSS WELDMENT
3	M360031	FOAMER TUBE NIPPLE
4	M360097	FOAMER TUBE
5	91999	FOAMING MESH (NOT SHOWN)
6	67014-4S	3/4" x 8" NIPPLE
7	44562-N	1" SWIVEL HYD. FITTING(2)
8	M360096	TEE WELDMENT
9	66502	1" 90 DEG. SWIVEL
10	M390009	PIPE WELDMENT
11	M520008-S	PLATE BEARING RETAINING (1)
12	M660000	BEARING BLOCKS (2) (NOT SHOWN)
13	43902	HOSE ASSEMBLY
14	67410-4S	3/4" ELBOW
15	63140	3/4" HP CHECK VALVE
16	63182	PRESS RELIEF VALVE
17	75027	HEAVY PIPE CLAMP (2)
18	M520081-S	1/4x3/4 PLATE, 1/2 SS
19	M520715	L-BRACKET, SST
20	63142	1/2" SS CHECK VALVE (3)
21	24025-PB	MALE TUBE FITTING
22	11250011	COMPLETE OVERHEAD MANIFOLD ASSY (SMART SOAP)
23	U4000-SSMAN	OVERHEAD, SST MANIFOLD UPDATE KIT FOR S/N L2697

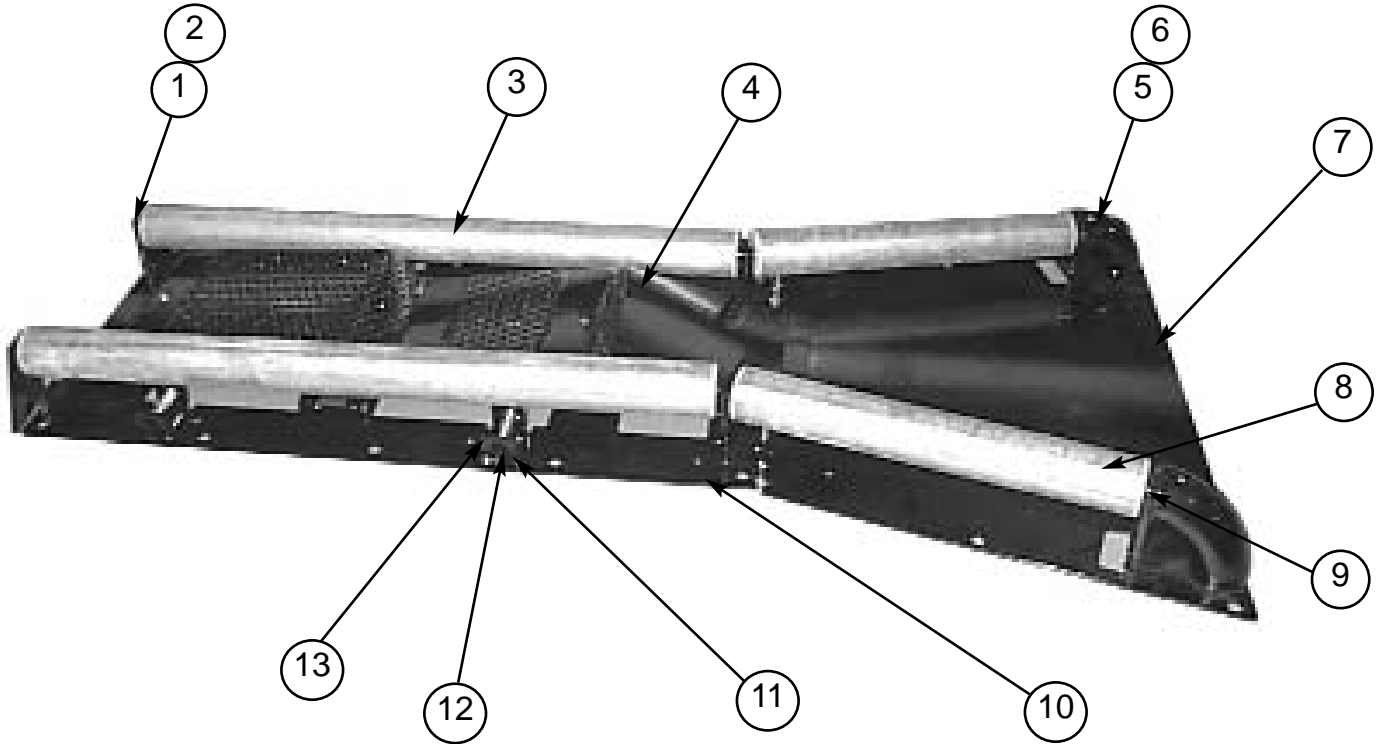
ADDITIONAL OVERHEAD MANIFOLD PARTS FOR SPOT FREE OPTION NOT SHOWN:	
63141	3/4" CHECK VALVE
KIT053	SPOT FREE ADD OPTION
43911	1"x43.5" OVERHEAD MANIFOLD HOSE
67015-L4S	1"x8" NIPPLE
67800-4S	1" FULL COUPLING

	PDQ MANUFACTURING, INC. De Pere, WI <small>A DOVER COMPANY</small>	
	TITLE OVERHEAD MANIFOLD	
DRAWING: N/A	REV: 00	SHEET: 1 of 1



PART	PART #	DESCRIPTION
*1	94076	REFLECTIVE TAPE
*2	M520058	1/8" SHEET STEEL (REFLECTIVE TAPE BACK)
*3	15013	COMPRESSION BUMPER(2)

		PDQ MANUFACTURING, INC. De Pere, WI <small>A DOVER COMPANY</small>	
TITLE		*M924035 FLOOR EQUIPMENT WHEEL STOP	
DRAWING:	REV:	SHEET:	
N/A	00	1 of 2	



PART	PART #	DESCRIPTION
*1	M310196	BKT. RAIL GUIDE SHORT
*2	M310195	BKT. RAIL GUIDE TALL
*3	M920028	LONG GUIDE RAIL
*4	M300047	TREADLE RAMP WELDMENT
*5	M310100	BKT. SHORT ELBOW
*6	M310101	BKT. TALL ELBOW
*7	M300072	ENTRY PLATE
*8	M920027	SHORT GUIDE RAIL
*9	M620019	ROLLER INSERT
*10	M300073	BASE WELDMENT
*11	34371	PROX. STRAIGHT CORD
*12	93024	PROXIMITY SWITCH (2)
*13	M330300	BRACKET,MACH.,.25x1.00x4.00,CS

MISCELLANEOUS

*#M620036	GUIDE ROLLER(2) UHMW LONG
*#M620035	GUIDE ROLLER(2) UHMW SHORT
PARTS LOCATED UNDER TREADLE	
1-210-B	BEARING O-RING
M620049	ERTALYTE PST-P BEARING
*15017	GBR BUMPER
*Order Bearing O-ring and Ertalyte PET-P Bearing together	



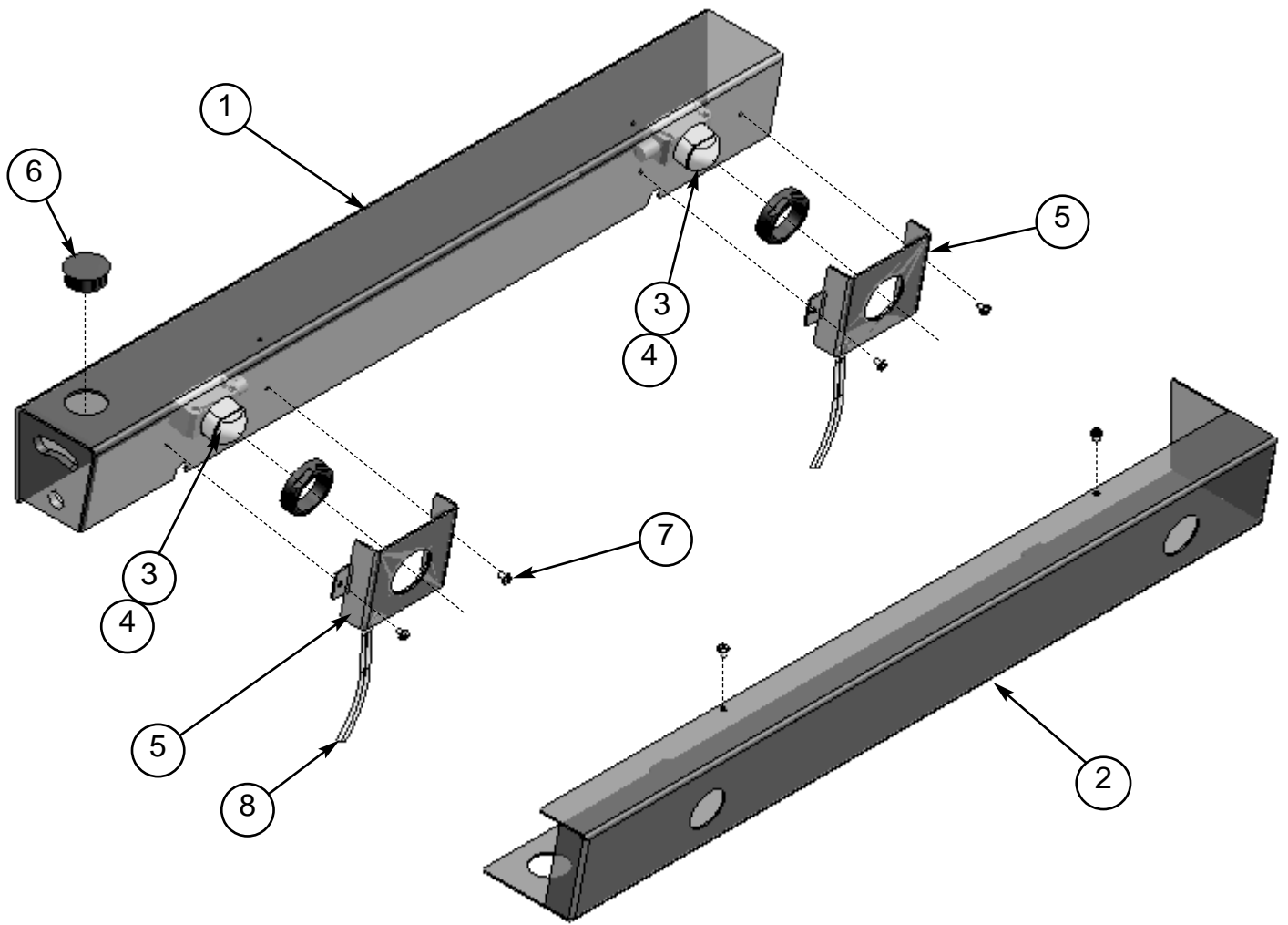
PDQ MANUFACTURING, INC.
De Pere, WI
A DOVER COMPANY

TITLE *FLOOR EQUIPMENT
LASERWASH 4000 TREADLE

DRAWING:
N/A

REV:
00

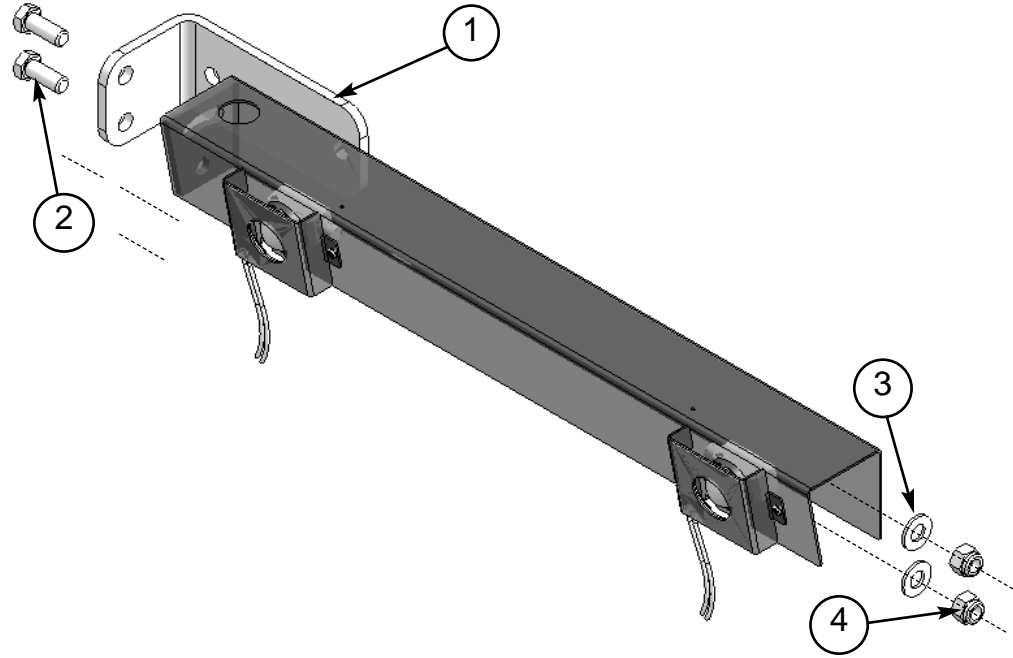
SHEET:
2 of 2



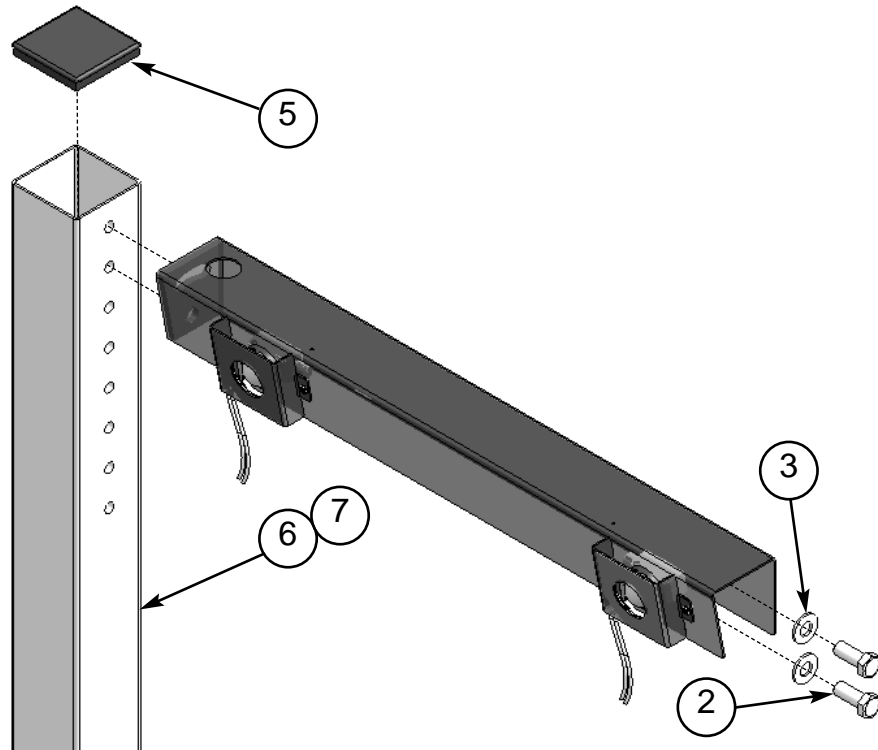
PART	PART #	DESCRIPTION
*1	06050010	LOADING MOUNT HOUSING
*2	06160122	LOADING MOUNT COVER
*3	04070003	LOADING EYES - EMITTER
*4	04070004	LOADING EYES - RECEIVER
*5	11270008	LOADING EYE HEATER & BRACKET ASSY
*6	06160162	HOLE PLUG
*7	05040141 (6)	M4x6mm PHILLIPS SCREWS
*8	04190024	HEATER, LOADING EYE

	PDQ MANUFACTURING, INC. De Pere, WI <small>A DOVER COMPANY</small>	
	TITLE *VIRTUAL TREADLE	
DRAWING: N/A	REV: 00	SHEET: 1 of 5


Wall Mount Option

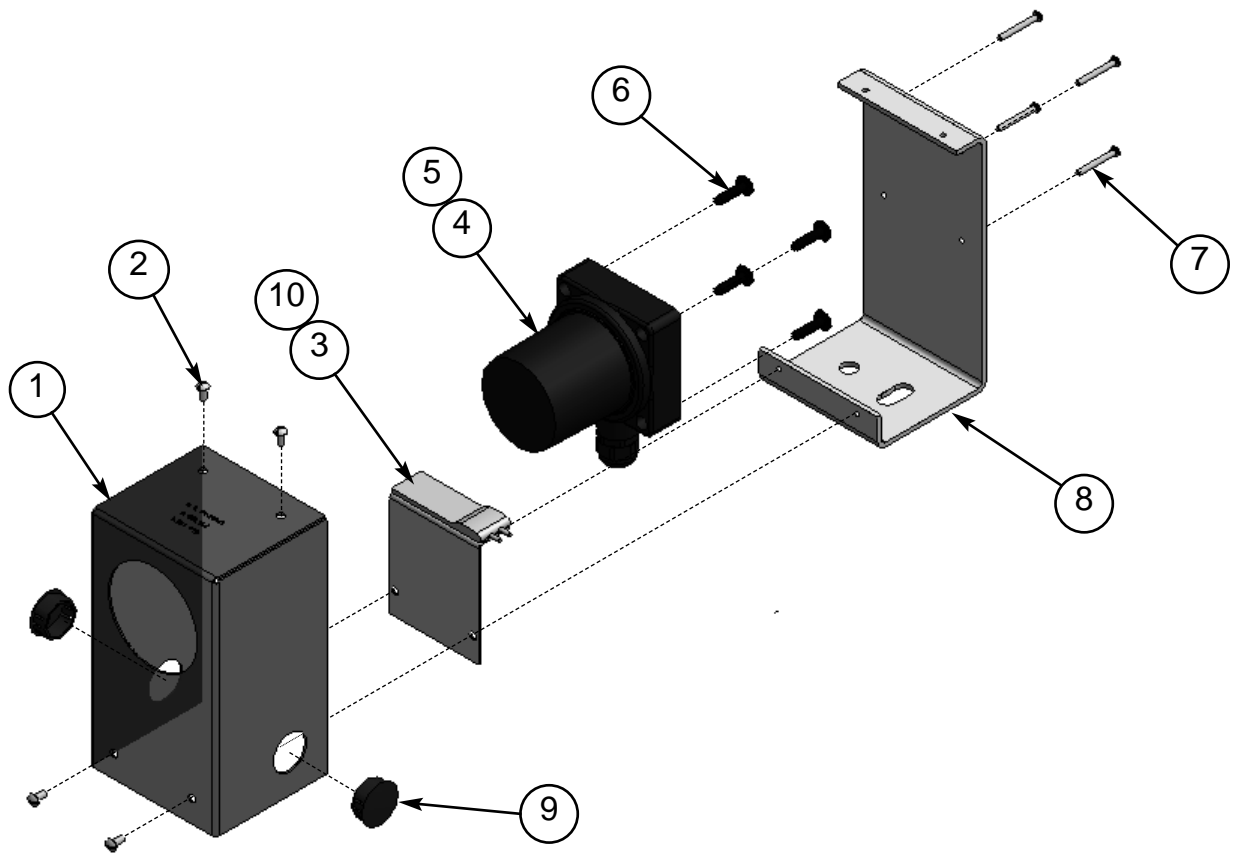


Floor Mount Option




PART	PART #	DESCRIPTION
*1	06140266	WALL BRACKET
*2	70256-HCS	1/2NCx1.25 SCREW
*3	71515-FSS	1/2 FLAT WASHER
*4	71015-NCS	1/2NC NYLON INSERT NUT
*5	M690049	CAP
*6	06250006	FLOOR MOUNT BRACKET, DRIVER SIDE
*7	06250007	FLOOR BRACKET, PASSENGER SIDE (NOT SHOWN)

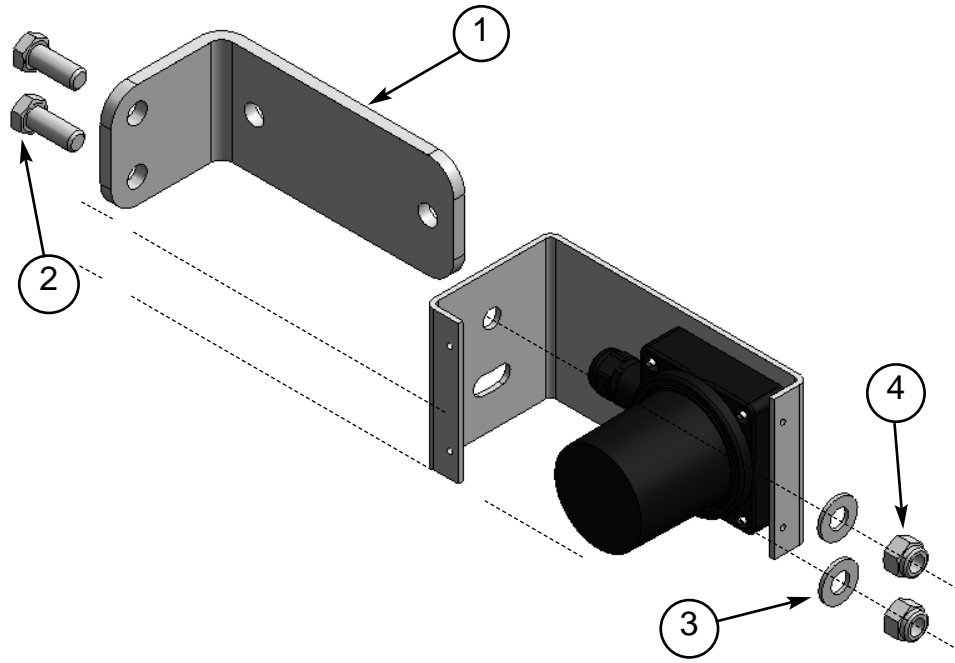
		PDQ MANUFACTURING, INC. De Pere, WI A DOVER COMPANY
TITLE		*VIRTUAL TREADLE LOADING EYES
DRAWING: N/A	REV: 00	SHEET: 2 of 5



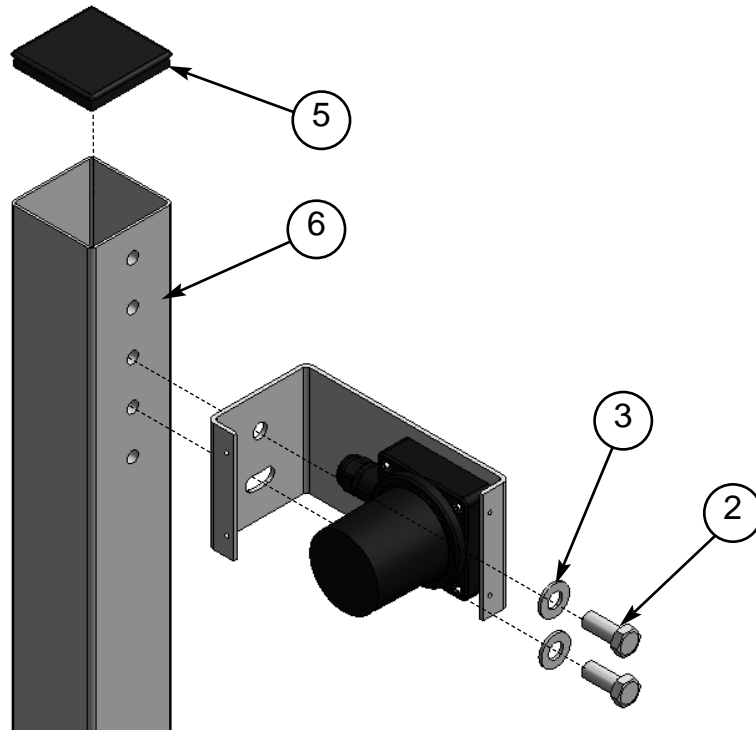
PART	PART #	DESCRIPTION
*1	06160144	ULTRASONIC COVER
*2	70058-SCS	#10-32x.38 SCREW
*3	07290003	ULTRASONIC HEATER & BRACKET ASSY
*4	04380002	ULTRASONIC SENSOR, LEFT
*5	04380003	ULTRASONIC SENSOR, RIGHT
*6	05180007	#6-32 NEOPRENE WELLNUT
*7	70020	#6-32x1.25 SCREW
*8	06140356	MOUNTING BRACKET
*9	06160162	HOLE PLUG
*10	38903	HEATER, ULTRASONIC, STRIP

		PDQ MANUFACTURING, INC. De Pere, WI <small>A DOVER COMPANY</small>
TITLE		*VIRTUAL TREADLE
DRAWING: N/A	REV: 00	SHEET: 3 of 5


Wall Mount Option

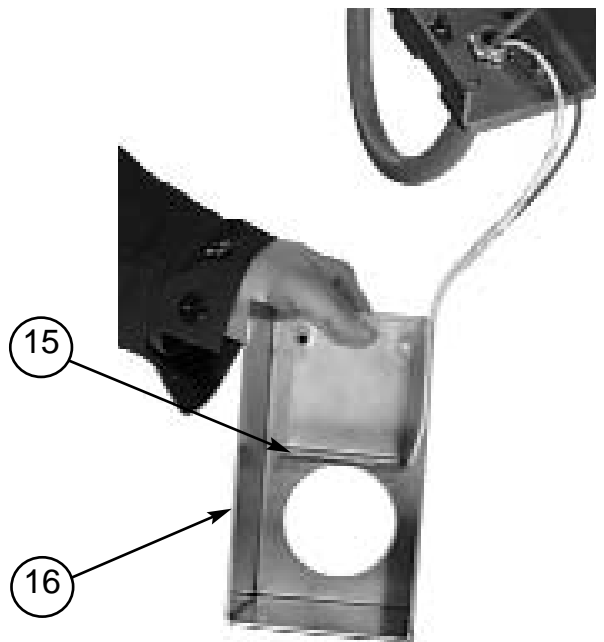
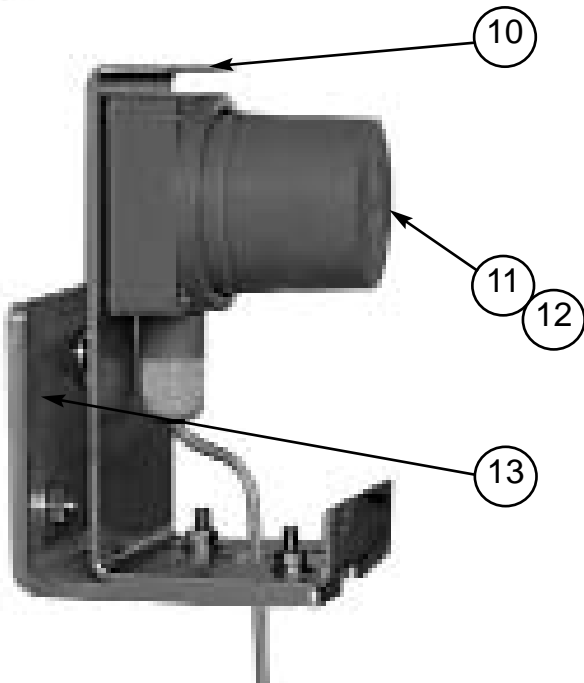
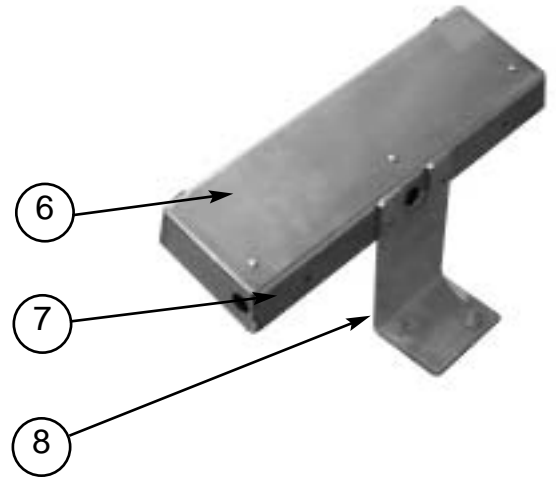
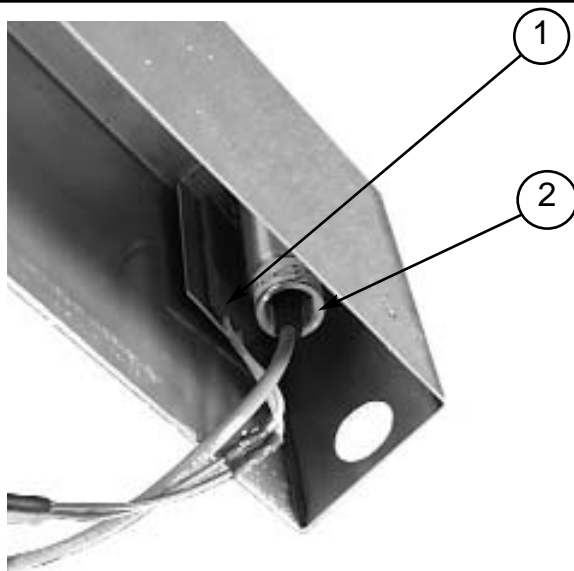


Floor Mount Option




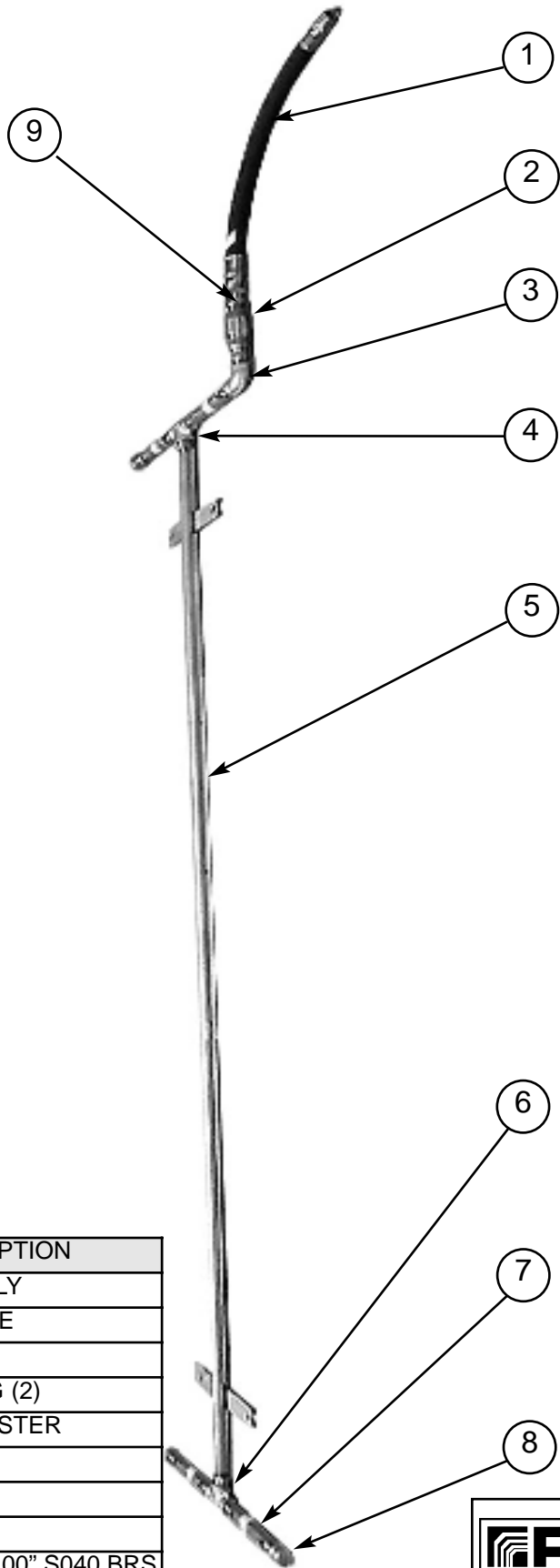
PART	PART #	DESCRIPTION
*1	06140266	WALL BRACKET
*2	70256-HCS	1/2NCx1.25 SCREW
*3	71515-FSS	1/2 FLAT WASHER
*4	71015-NCS	1/2NC NYLON INSERT NUT
*5	M690049	CAP
*6	06250008	FLOOR MOUNT BRACKET

	PDQ MANUFACTURING, INC. De Pere, WI <small>A DOVER COMPANY</small>	
	TITLE *VIRTUAL TREADLE SIDE ULTRASONIC	
DRAWING: N/A	REV: 00	SHEET: 4 of 5




PART	PART #	DESCRIPTION
*1	07290002	HEATER STRIPS (4)
*2	04070005	PHOTO-EYE,KIT,THRU-BEAM,30mm,BANNER-QS
*6	06160048	COVER
*7	06140221	MOUNTING BRACKET
*8	06100047	FLOOR MOUNTING BRACKET(PASS SIDE)
*9	07020097	FLOOR MOUNTING BRACKET(DRIVER SIDE)(N/S)
*10	06140222	BRACKET
*11	04830002	ULTRASONIC SENSOR - LEFT
*12	04830003	ULTRASONIC SENSOR - RIGHT
*13	06100048	WALL MOUNT BRACKET
*14	07020098	FLOOR MOUNTING STANDS (NOT SHOWN)
*15	07290003	HEATER STRIPS (2)
*16	06160049	ULTRASONIC COVER

		PDQ MANUFACTURING, INC. De Pere, WI <small>A DOVER COMPANY</small>	
TITLE *VIRTUAL TREADLE 30MM BARREL SENSOR DESIGN			
DRAWING: N/A		REV: 00	SHEET: 5 of 5



PART	PART #	DESCRIPTION
1	43902	HOSE ASSEMBLY
2	63120	1" CHECK VALVE
3	67410-4S	1" ELBOW PIPE
4	67714-S	1x3/4" BUSHING (2)
5	M360037	MANIFOLD BLASTER
6	67125-4S	1" TEE PIPE (2)
7	M550022 (4)	1" MANIFOLD
8	67680-4S	1" CAP PIPE (3)
9	67015-B4B	NIPPLE, IMPTx2.00", S040, BRS

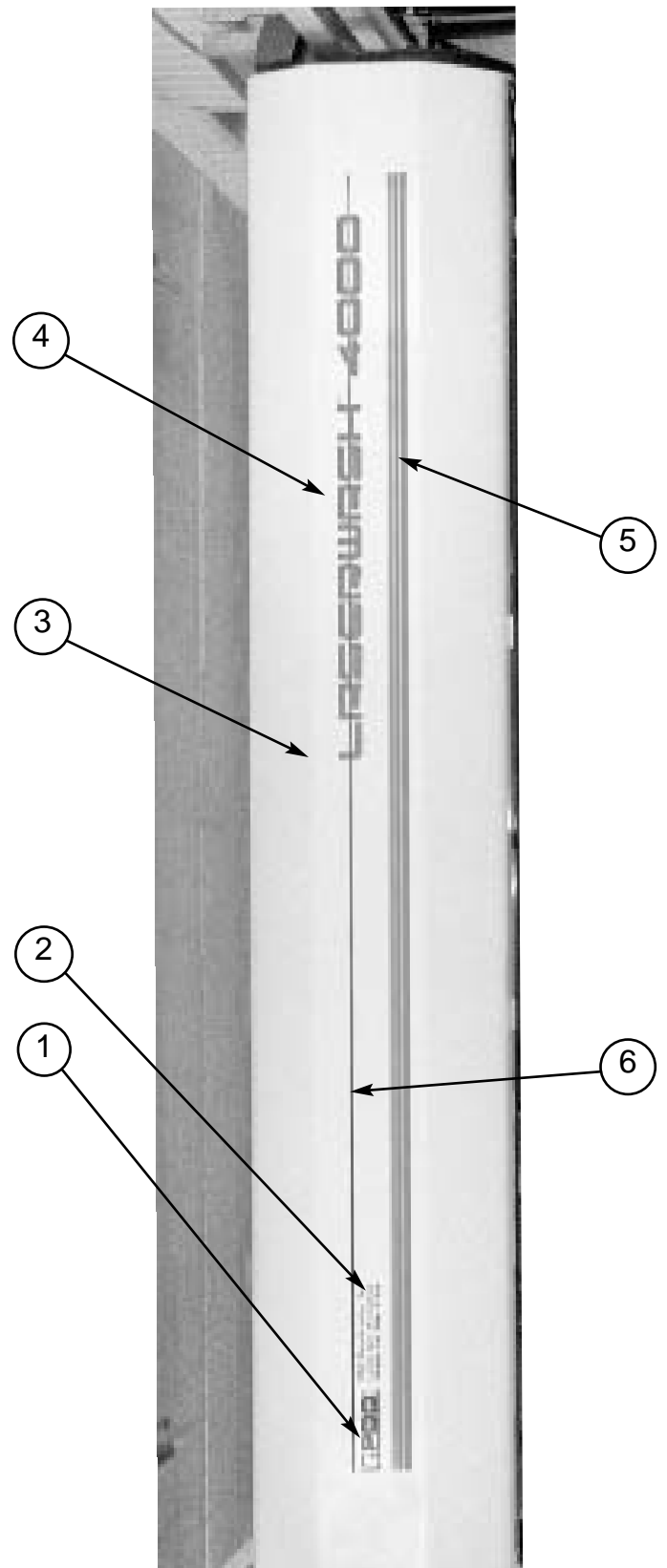
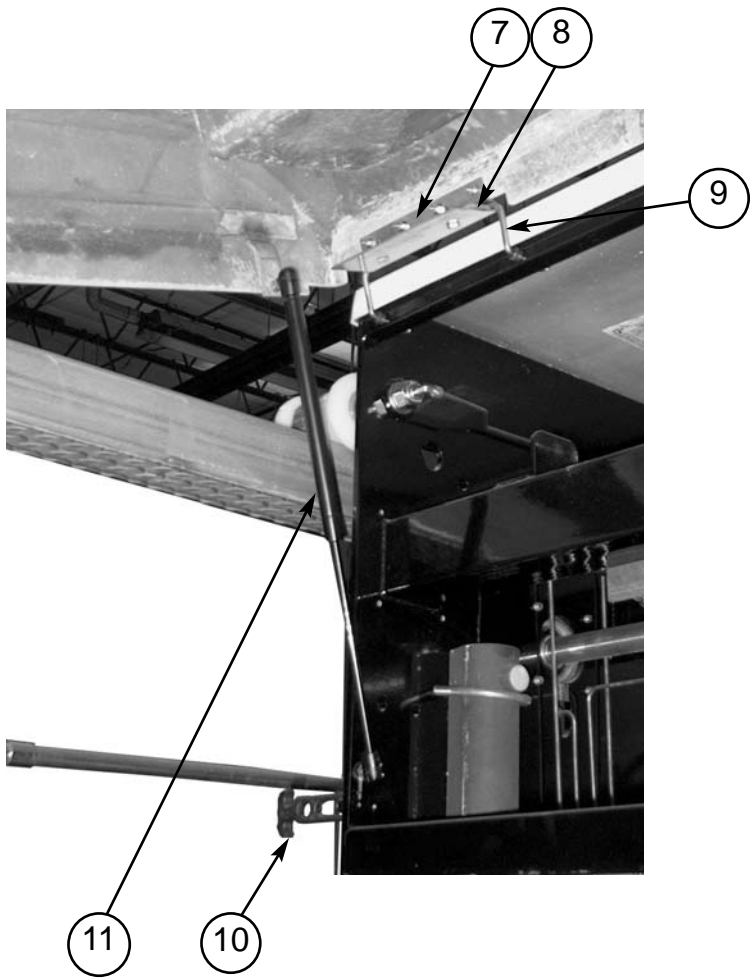
NOZZLES	
64088-4M	1508 1/4 MEG HARD (8)
64636-4M	8003 H1/4V JET (3)

	PDQ MANUFACTURING, INC. De Pere, WI <small>A DOVER COMPANY</small>	
	TITLE UNDER CARRIAGE	
DRAWING: N/A	REV: 00	SHEET: 1 of 1



PART	PART #	DESCRIPTION
1	04600001	DISPLAY
2	94222	KEYPAD
3	94220	INTERFACE BOARD
4	38903	HEATER STRIP
5	94210	SPEAKER
6	77914	LOCK CAM
7	M540008	CLEAR LENS
8	M540009	GREEN LENS
9	84235	DECAL,COMMANDPOSTW/DISPLAY&CODEONLY

		PDQ MANUFACTURING, INC. De Pere, WI <small>A DOVER COMPANY</small>
TITLE		M920012 COMMAND POST
DRAWING:	REV:	SHEET:
N/A	00	1 of 1



PART	PART #	DESCRIPTION
*1	84001	PDQ DECAL
*2	84554	"MADE IN THE USA" DECAL
*3	06160120	FRONT FIBERGLASS COVER
*4	84565	LASERWASH 4000 DECAL
*5	84528	TAPE STRIPING MULTI-LINE (11FT)
*6	84532	TAPE STRIPING RED (11FT)
7	M500166	HINGES FOR COVER
8	M520138	HINGE RETAINING BAR
9	M390031	HINGE SUPPORT BAR (NEW)
*10	79002	DRAW LATCH
11	92100	GAS CYLINDER

PARTS NOT SHOWN	
*06160120	BACK FIBERGLASS COVER
*M390041	HINGE SUPPORT BAR (OLD)
*M520097	ROLLER RETAINING BAR
*70058-SFS	SLOTTED SCREWS
*71509-FS	FLAT WASHER

	PDQ MANUFACTURING, INC. De Pere, WI <small>A DOVER COMPANY</small>	
	TITLE FIBERGLASS COVER W/ DECALS	
DRAWING: N/A	REV: 00	SHEET: 1 of 1



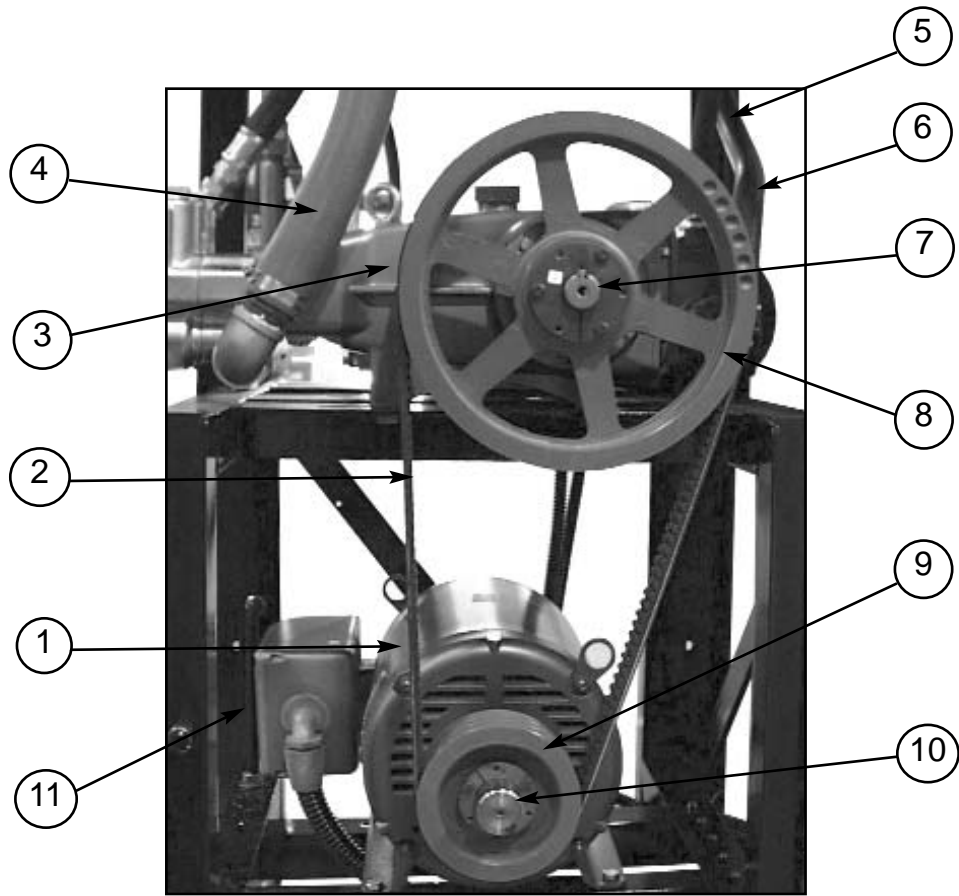
Vehicle Wash Systems

A  DOVER COMPANY


Section 2
VERTICAL PUMP
STATION

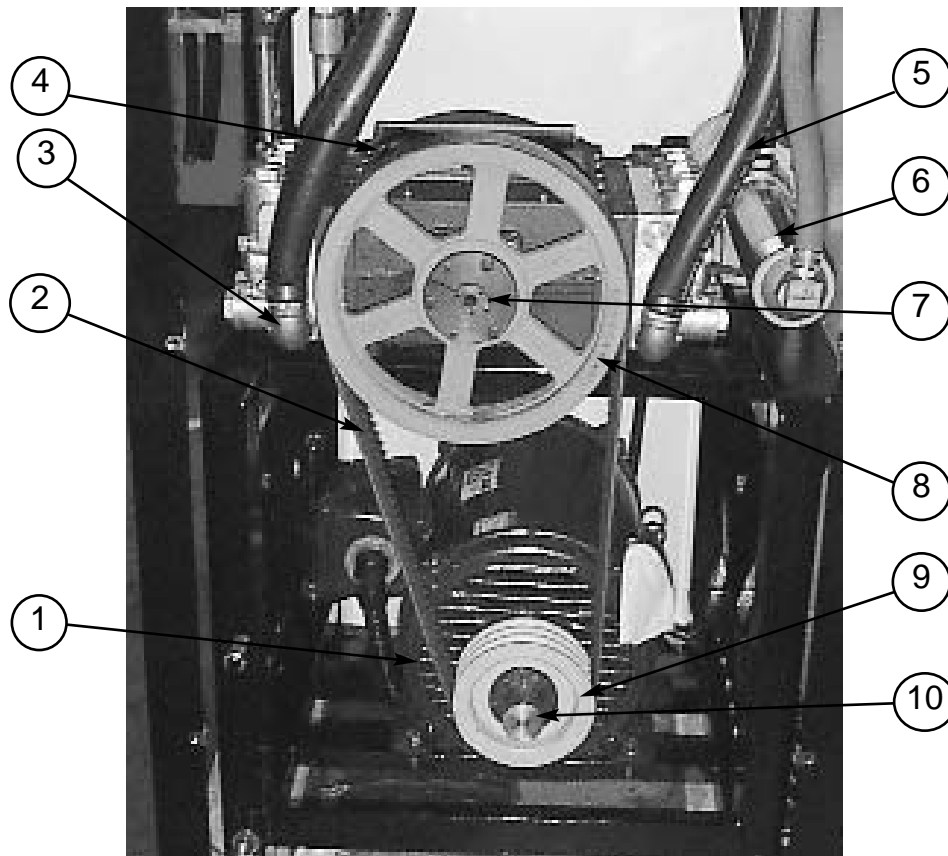
~~LASERWASH® 4000~~






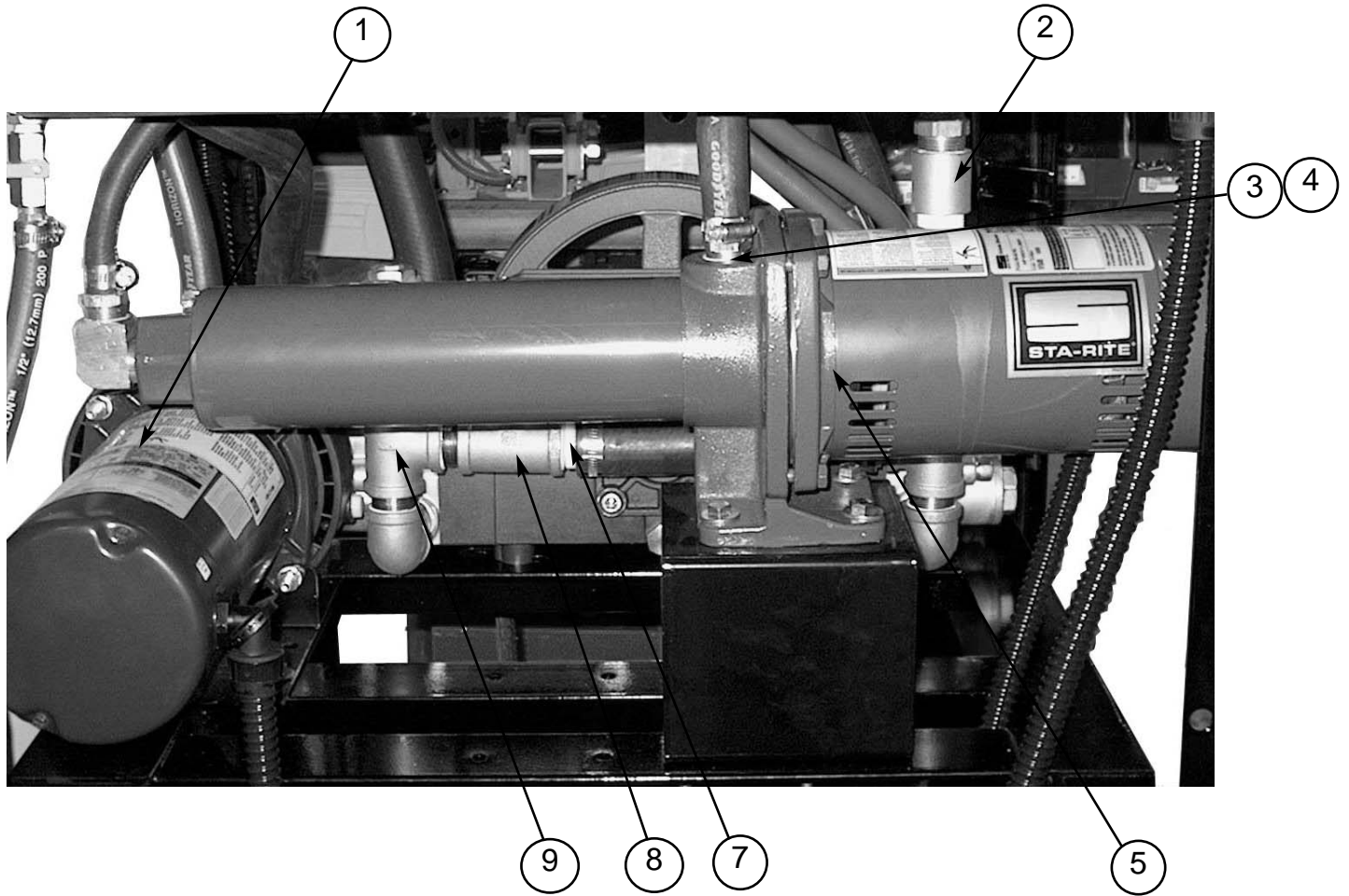
PART	PART #	DESCRIPTION
1	38030-A	25 HP MOTOR (208-230V)
2	11071-BX	71" V-BELT (3)
3	62700	CAT PUMP
4	01130021	2" HOSE
5	11280006	HOSE, 3/8"x36,"MNPTxSAE-SWVL,W/FERRULES
6	11280005	HOSE, 3/8"x24,"MNPTxSAE-SWVL,W/FERRULES
7	12519-SK	35MM BUSHING
8	12043-3SK	13.6" SHEAVE
9	12028-3SD	6.2" SHEAVE
10	12532-SD	1 7/8" BUSHING
*11	M580013	BELT TENSIONING ROD

	PDQ MANUFACTURING, INC. De Pere, WI <small>A DOVER COMPANY</small>	
	TITLE HIGH PRESSURE PUMP DRIVE - VERTICAL- CAT PUMP CONFIG.	
DRAWING: N/A	REV: 00	SHEET: 1 of 1



PART	PART #	DESCRIPTION
1	38030-A	25 HP MOTOR (208-230V)
2	11067-3BX	67" V-BELT,BANDED (1)
3	68139-MHB	1-1/2x1 HOSE-BARB
4	62651	GENERAL PUMP
5	61074	1-1/2" HOSE
6	62300	HP SPOT FREE PUMP
7	12519-SK	35MM BUSHING (PUMP)
8	12041-3SK	12.4" SHEAVE (PUMP)
9	12026-3SD	6" SHEAVE (MOTOR)
10	12532-SD	1 7/8" BUSHING (MOTOR)
11	M580013	BELT TENSIONING ROD (NOT SHOWN)
12	11066-BX	66" V-BELT(3) (OLD STYLE, NOT SHOWN)

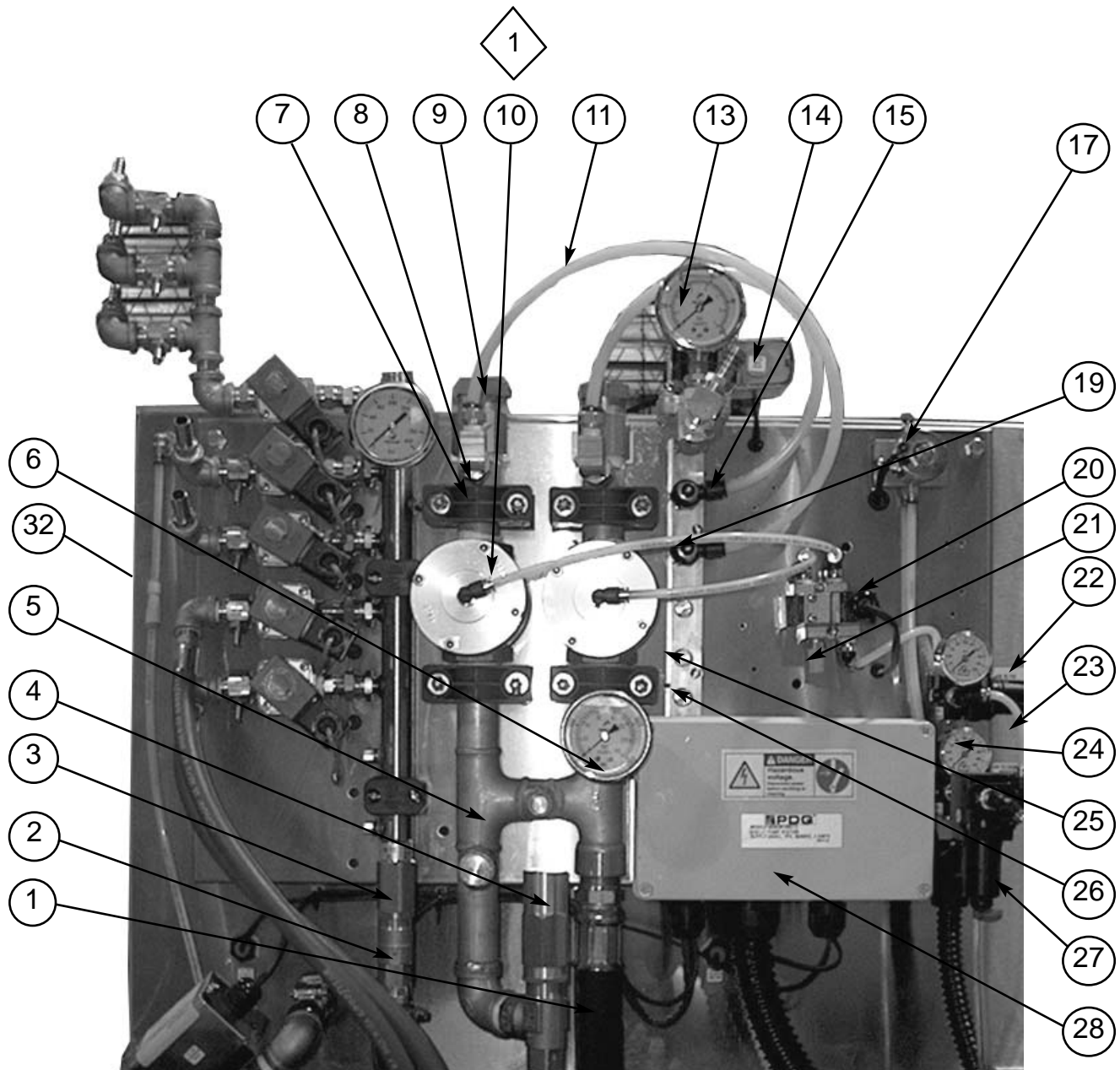
		PDQ MANUFACTURING, INC. De Pere, WI <small>A DOVER COMPANY</small>
TITLE HIGH PRESSURE PUMP DRIVE- VERTICAL- GENERAL PUMP CONFIG.		
DRAWING: N/A	REV: 00	SHEET: 1 of 1




PART	PART #	DESCRIPTION
1	62015	3/4 HP TEEL SPOT FREE PUMP
2	M550043	1x6 NIPPLE
3	68117-MHB	HOSE BARB
4	67713-B	PIPE BUSHING
5	03180016	STA-RITE SOLUTION PUMP (60HZ)
6	11350126	MTH TO STA-RITE RETRO KIT(NOT SHOWN)
7	67720-B	REDUCING BUSHING
8	67015-D4B	NIPPLE
9	67410-4B	ELBOW

		PDQ MANUFACTURING, INC. De Pere, WI <small>A DOVER COMPANY</small>
TITLE		LASERWASH 4000 LOW PRESSURE PUMPS
DRAWING: N/A	REV: 00	SHEET: 1 of 1

PICTORIAL PARTS CATALOG - CONFIDENTIAL




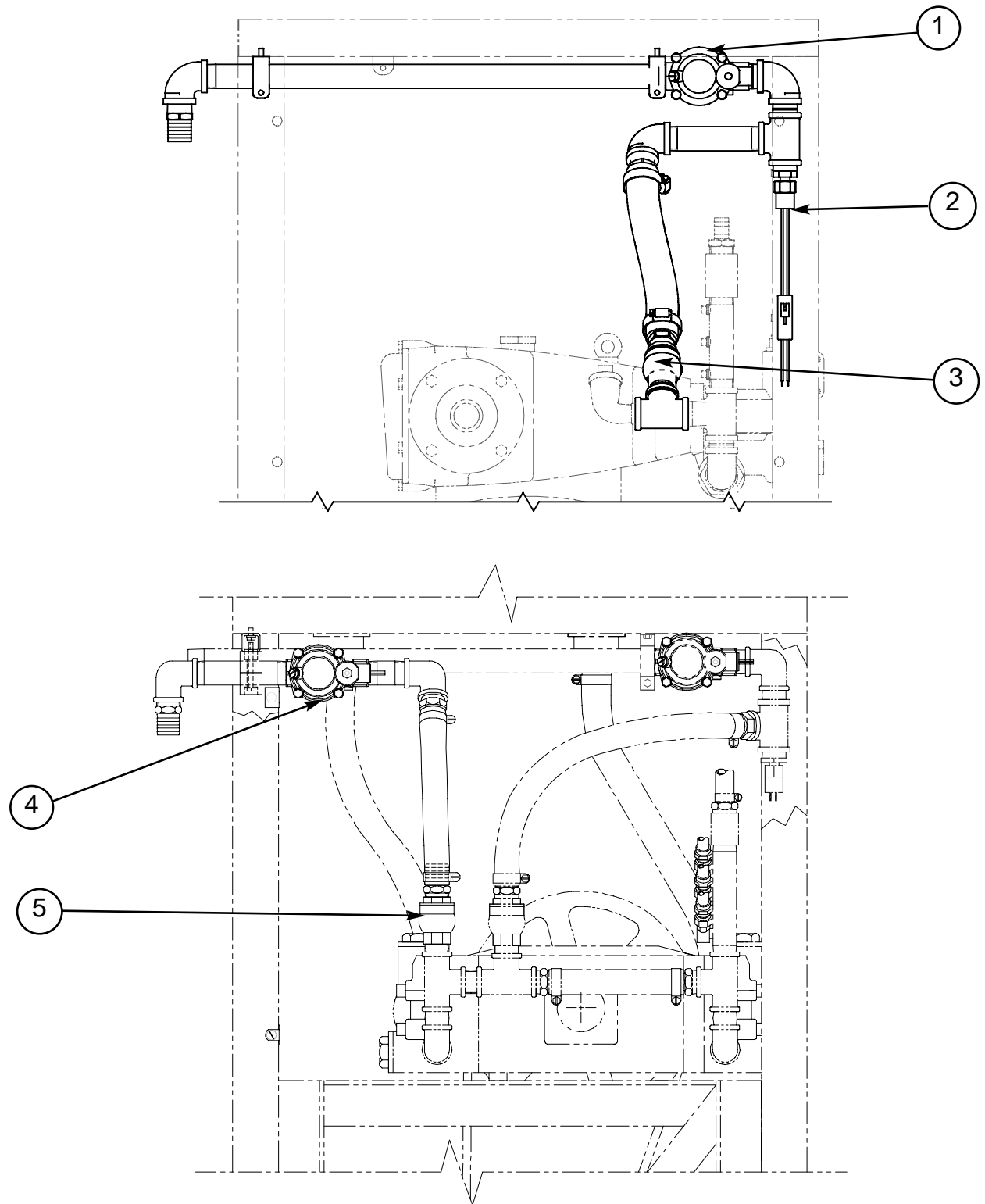
		PDQ MANUFACTURING, INC. De Pere, WI <small>A DOVER COMPANY</small>	
TITLE		VERTICAL PUMP STATION PANEL	
DRAWING: N/A		REV: 00	SHEET: 1 of 2

PART	PART #	DESCRIPTION
SEE TABLE ON PG. 43		

PART	PART #	DESCRIPTION
1	43900	1" HIGH PRESSURE HOSE ASSEMBLY
2	63137	3/8" CHECK VALVE
3	63177	LP UNLOADER VALVE
4	63188	HP UNLOADER VALVE
*5	07080037	WELDED MANIFOLD
6	25111	0-2000 PSI GAUGE
7	63173	1/4" CHECK VALVE
8	M550041	1 HOLE MANIFOLD
9	44575-N	FEM HYD. FIT
*10	03010115	LEXAIR VALVE
11	75027	1" PIPE CLAMP
12	69545	0-200 TEMPERATURE GAUGE
13	25024	0-100PSI PRESSURE GAUGE (WEEP)
14	03010110	3/8" BRASS VALVE(WEEP)
15	24024	1/4x1/8 TUBE FITTING
16	22332	3-WAY SOLENOID VALVE (OLD)
17	63035	1/8 SOLENOID VALVE
18	11120026	AIR VALVE,3WAY PRESS RELIEF W/ BRACKET
19	63114	1/4 CHECK VALVE
*20	22115	4-WAY SOLENOID VALVE
21	21550	AIR MUFFLER
22	26160	REGULATOR
23	24336-PB	1/4 TUBE FITTING
24	25031	1-160 GAUGE
25	21131	FLOW CONTROL VALVE(WEEP)
26	M360084	8" MANIFOLD(WEEP)
27	26124	AUTODRAIN FILTER
*28	35025	ENCLOSURE WITH COVER(JI)
29	63300	24V COIL JUNCTION BOX (NOT SHOWN)
30	63307	1/2" DEMA VALVE (NOT SHOWN)
31	63307	WATERSAVER VALVE (NOT SHOWN)
32	03010019	VALVE,CHECK,BALL,,25,145PSI,LIQ,PLST (N/S)

1 Lexair changeover valve,03010115, for CAT pumps

		PDQ MANUFACTURING, INC. De Pere, WI <small>A DOVER COMPANY</small>	
TITLE		HIGH PRESSURE VERTICAL PUMP STATION PANEL-TABLE	
DRAWING:	REV:	SHEET:	
N/A	00	2 of 2	

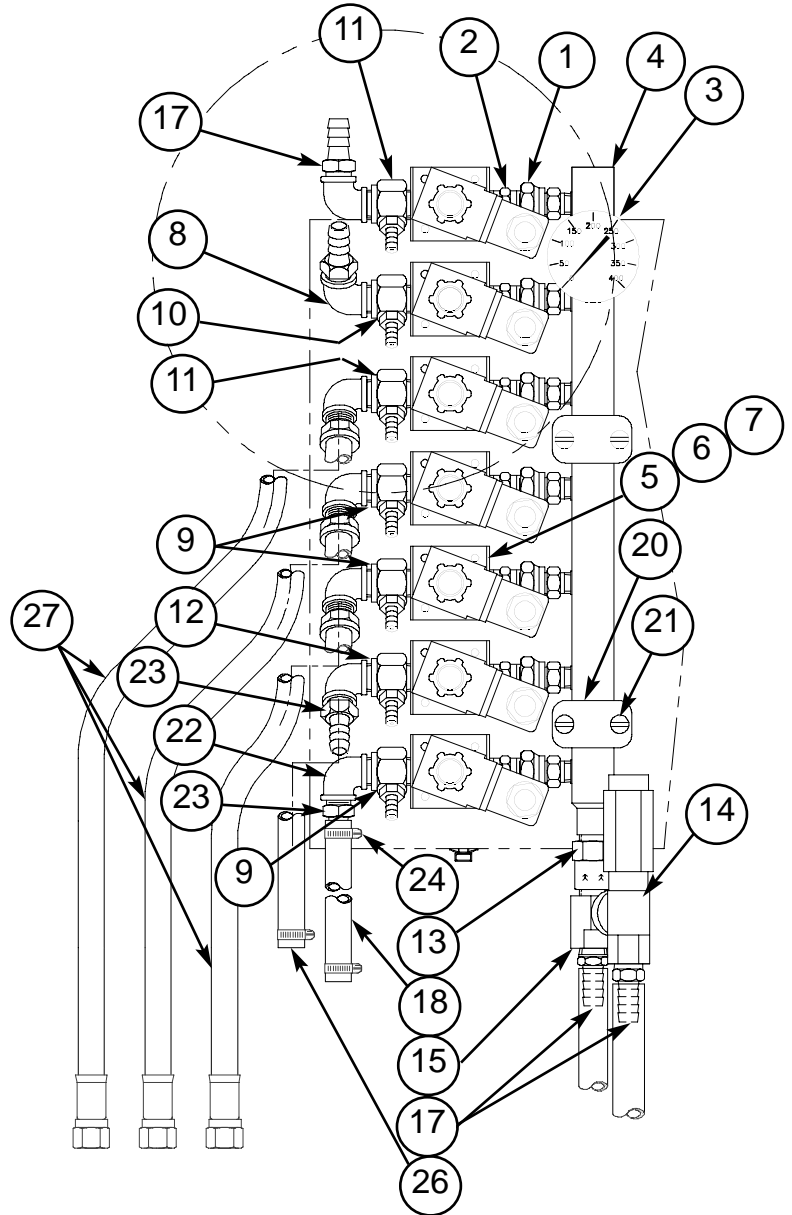


PART	PART #	DESCRIPTION
RECLAIM		
1	03010021	2 WAY VALVE
2	31038	4PSI PRESSURE SWITCH
3	63144	1" CHECK VALVE
HOT WATER INJECTION		
4	03010021	2 WAY VALVE
5	63144	1" CHECK VALVE

PDQ		PDQ MANUFACTURING, INC. De Pere, WI <small>A DOVER COMPANY</small>	
TITLE		OPTIONAL SOLENOID VALVES- VERTICAL	
DRAWING:	REV:	SHEET:	
N/A	00	1 of 1	

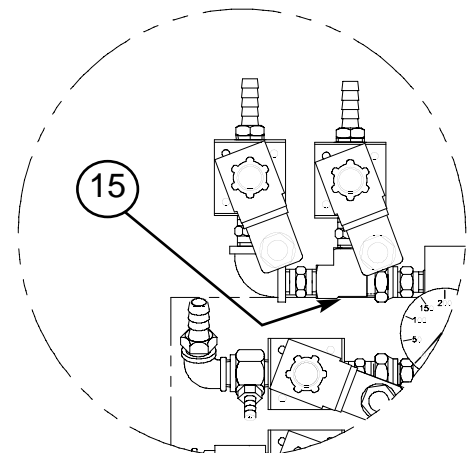
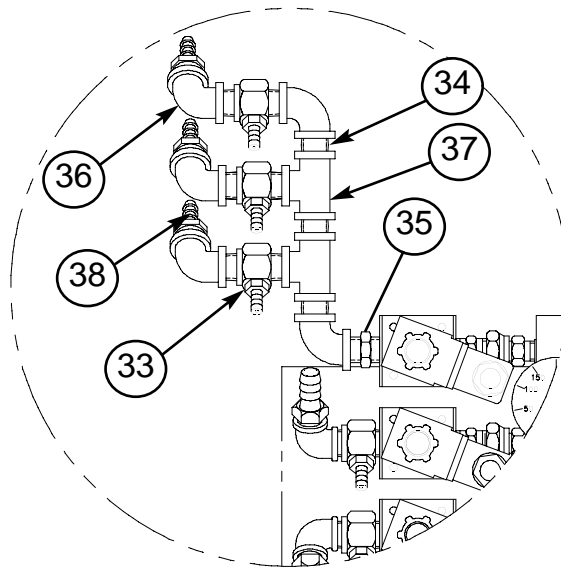
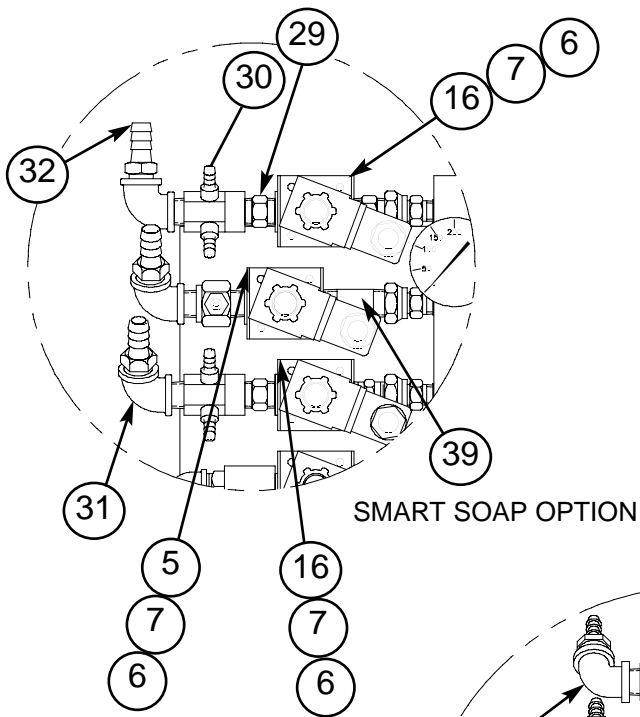
Also see following page

PART	PART #	DESCRIPTION
1	44553-S	HYD. FITTING,3/8FxY4M ADAPTER
2	67055-4B	3/8NPT NIPPLE, BRASS
3	25046	300 PSI PRESSURE GAUGE
4	M360057	1" PIPE MANIFOLD
5	63041	2-WAY VALVE
6	63040	24VAC SOLENOID COIL
7	63042	PLUG, 24VAC COIL, DIN
8	67404-4B	3/8NPT 90 DEG ELBOW
9	63480	.057 INJECTOR
10	63486	.083 INJECTOR (WAX)
11	63487	.086 INJECTOR (DETERGENTS)
12	63488	.097 INJECTOR
13	03010101	3/8 CHECK VALVE
14	63177	PRESSURE RELIEF VALVE
15	67195-4B	3/8NPT MALE-RUN TEE
16	03010079	3/8FPT 2WAY-NC VALVE(DZ2RBRASS)
17	68116-MHB	1/2Hx3/8MPT HOSE-BARB
18	43050	3/8" HOSE
20	75016	TUBE CLAMP
21	70112-SCS	1/4UNCx1-1/2 SCREW
22	67404-4S	3/8MNPT 90 DEG ELBOW
23	68113	3/8Hx3/8MNPT HOSE-BARB
24	75103	HOSE CLAMP
26	43050	3/8" 400PSI HOSE
27	11280006	3/8" HOSE ASSEMBLY




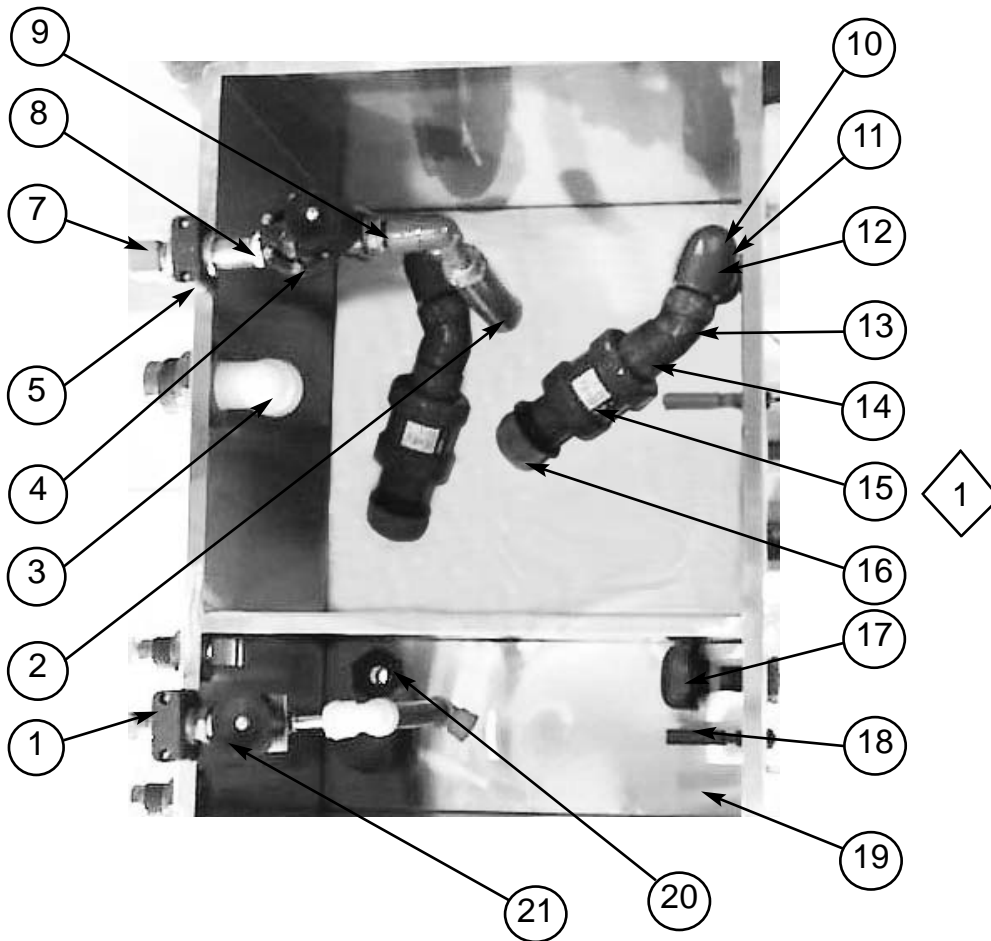
FOR KIT 085 SMART SOAP OPTION ONLY		
PART	PART #	DESCRIPTION
30	03150006	.083x8DEG DOUBLE INJECTOR
31	67404-4S	3/8NPT 90 DEG ELBOW
32	68116-MHS	1/2Hx3/8NPT HOSE-BARB
FOR 3X COLOR FOAM ONLY		
33	03150004	.057 SINGLE INJECTOR
34	67012-4B	3/8NPTxCLOSE NIPPLE
35	67055-4B	3/8NPT HEX NIPPLE
36	67404-4B	3/8NPT 90 DEG ELBOW
37	67110-4B	3/8NPT TEE
38	68112-MHB	3/8Hx3/8MNPT HOSE-BARB

	PDQ MANUFACTURING, INC. De Pere, WI A DOVER COMPANY	
	TITLE SOLUTION MANIFOLD VERTICAL	
DRAWING: N/A	REV: 00	SHEET: 1 of 2




See page 45 for item descriptions

		PDQ MANUFACTURING, INC. De Pere, WI <small>A DOVER COMPANY</small>	
TITLE		LOWER PRESSURE MANIFOLD OPTIONS	
DRAWING: N/A		REV: 00	SHEET: 2 of 2



PART	PART #	DESCRIPTION
1	75027	1" CLAMP
*2	M390078	DIFFUSER
3	67497-4B	1-1/2" ELBOW
*4	03010023	FLOAT VALVE, MAIN TANK
5	67800-4S	COUPLING
6	05050016	1-1/4" CLAMP
7	03310018	HOSE-BARB
8	67015-D4B	1" NIPPLE
9	03130029	3/4" NIPPLE
10	67017-H8P	1-1/2x5 NIPPLE
11	67690-TT	BULKHEAD (3)
12	03040005	1-1/2" ELBOW (2)
13	03040006	45 DEG. ELBOW (2)
14	67017-8P	1-1/2" NIPPLE (6)
15	63154	CHECK VALVE (2)
16	66101	1-1/2" STRAINER (2)
17	03020001	1" STRAINER (3)
*18	31019	FLOAT SWITCH (2)
19	M350003	TANK
20	67687 TT	3/4" BULKHEAD
*21	03010022	FLOAT VALVE, SOLUTION TANK
22	67686TT	1/2" BULKHEAD FITTING (NOT SHOWN)


1 For two complete check valve assemblies, including items 10-16, order: U4000-VCheck

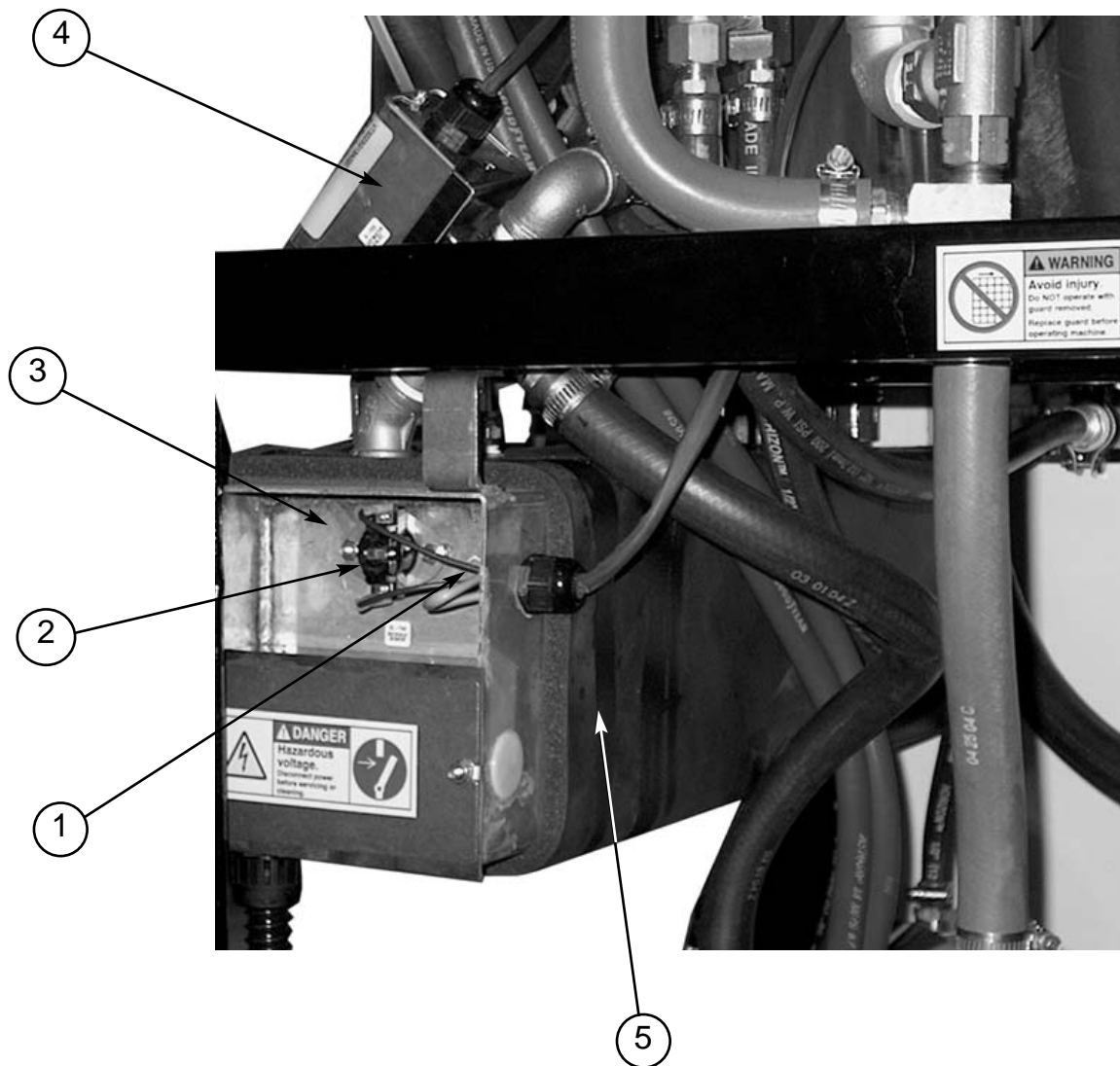
		PDQ MANUFACTURING, INC. De Pere, WI <small>A DOVER COMPANY</small>	
TITLE		VERTICAL PUMP STATION TANKS	
DRAWING:	REV:	SHEET:	
N/A	00	1 of 1	



PART	PART #	DESCRIPTION
*1	M390078	HP TANK DIFFUSER
*2	M350003	TANK
*3	67497-4P	1-1/2" ELBOW
*4	63274	FLOAT VLV 1" (H/P TANK) (OLD STYLE)
*5	63273	FLOAT VLV 3/4" (S/F TANK) (OLD STYLE)
*6	M310166	BRACKET (FLOAT VALVE)

FILL VALVE UPDATE KITS (WALTERS TO HYDROMINDER)		
*7	KTL4030 (3/4")	FLOAT VALVE ASSEMBLY (VERTICAL)
*8	KTL4031 (1")	FLOAT VALVE ASSEMBLY (VERTICAL)
*9	KTL4032	3/4" WALTERS VALVE (SLIMLINE)
*10	KTL4033	1" WALTERS VALVE (SLIMLINE)

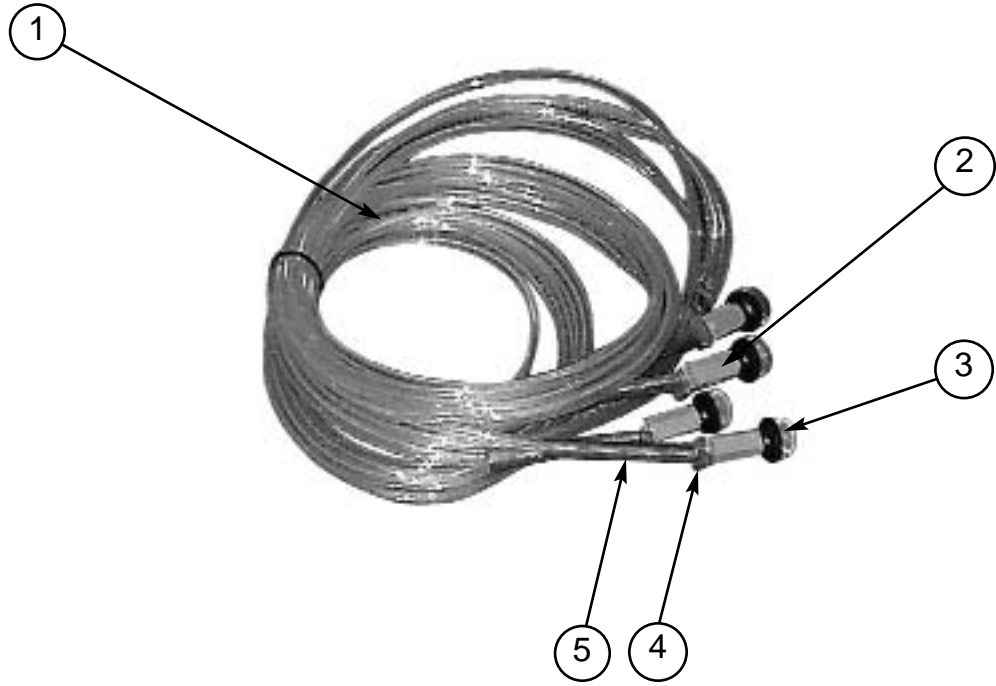
		PDQ MANUFACTURING, INC. De Pere, WI <small>A DOVER COMPANY</small>	
TITLE		*VERTICAL PUMP STATION TANKS (OLD ASSY)	
DRAWING:	REV:	SHEET:	
N/A	00	1 of 1	




PART	PART #	DESCRIPTION
*1	94011	TEMP. PROBE
*2	32905	SNAP DISC TEMP. CONTROL
*3	M350004	HEATER TANK WELDMENT
*4	63318	1/2" 3 WAY VALVE
*5	81701	RUBBER INSULATION

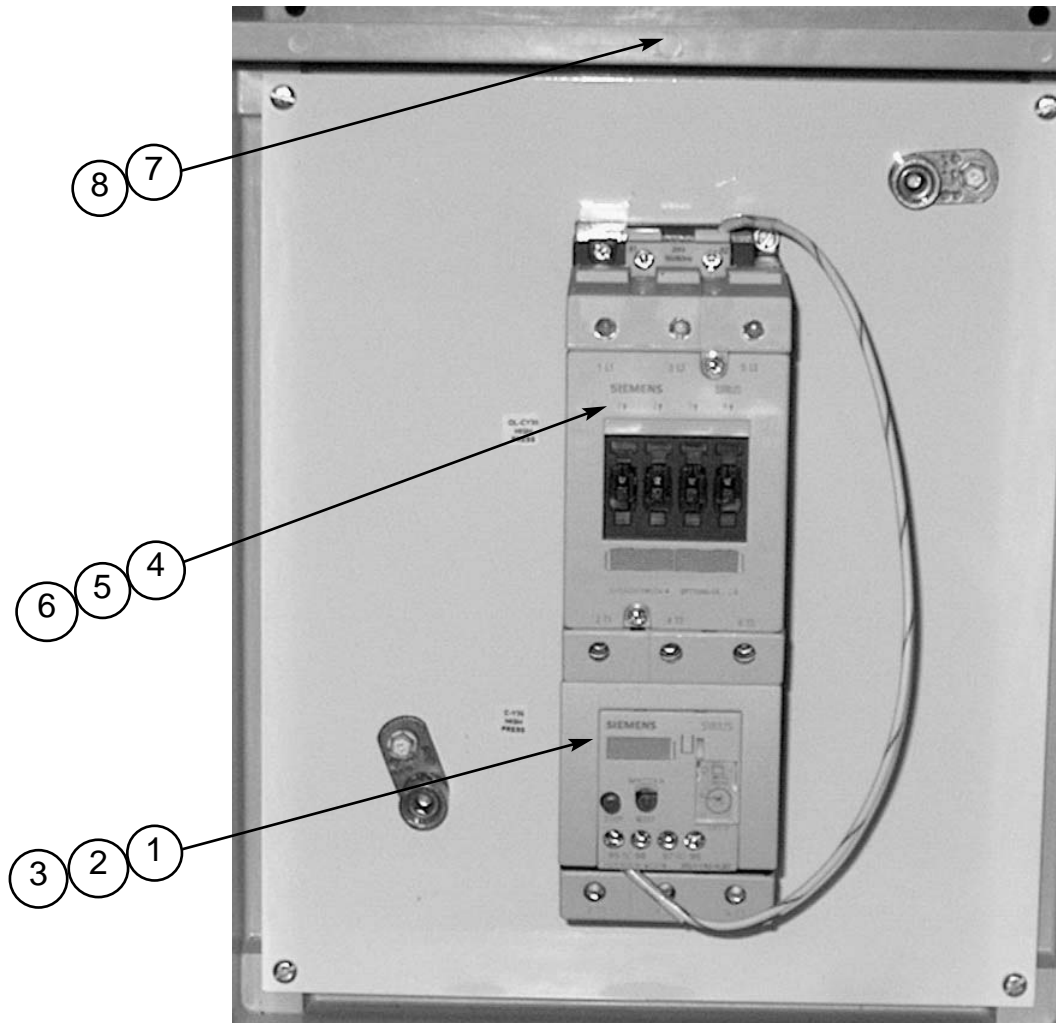
HEATER ELELMENTS (INSIDE TANK)	
	*208V = 60113
	*240V = 60112
	*400V = 60114
	*480V = 60115

		PDQ MANUFACTURING, INC. De Pere, WI <small>A DOVER COMPANY</small>	
TITLE		*ON-BOARD HEATER TANK	
DRAWING: N/A		REV: 00	SHEET: 1 of 1




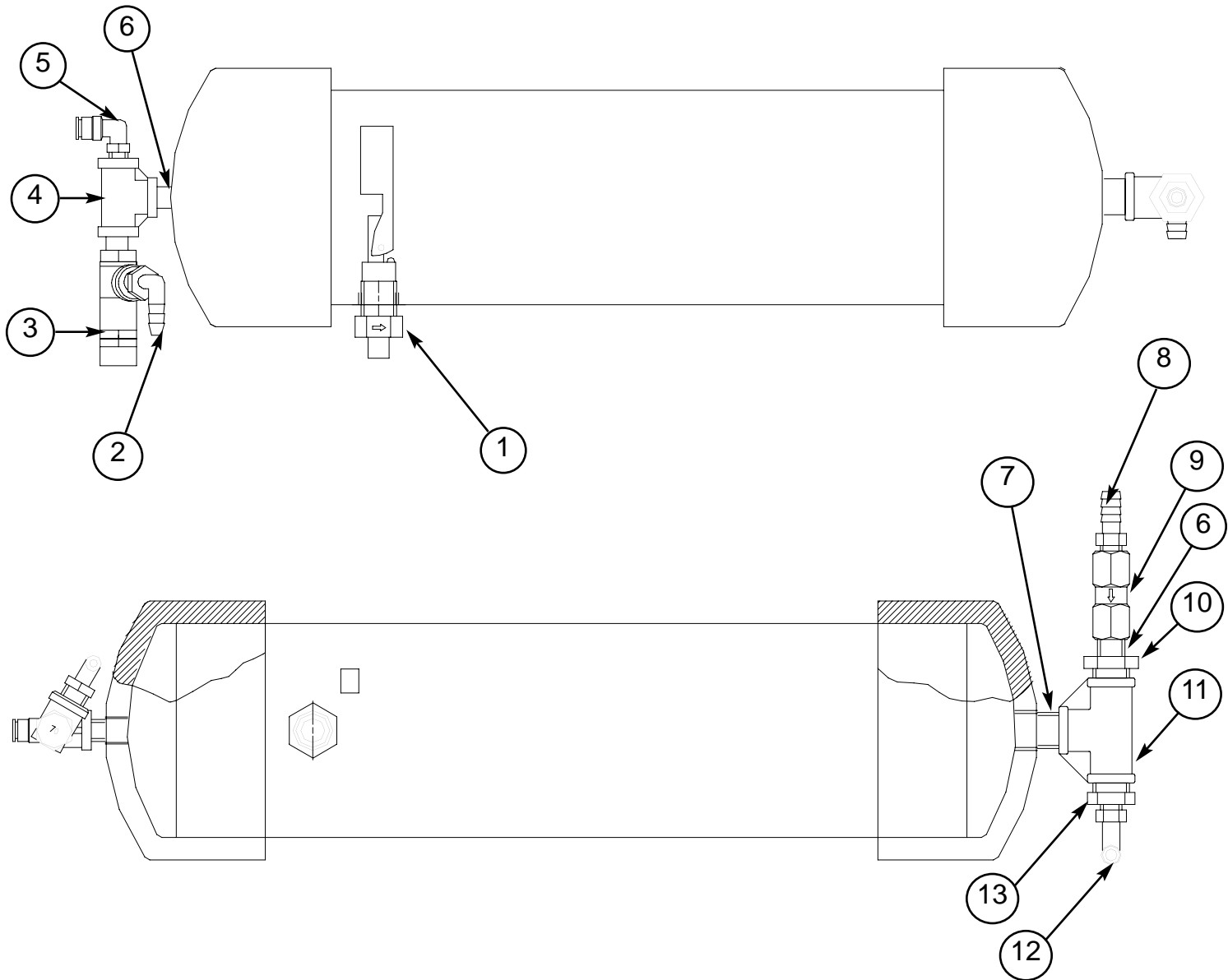
PART	PART #	DESCRIPTION
1	01120004	TUBING .375x.250 CLEAR
2	63134	FOOT VALVE
3	66025	STRAINER FOOT VALVE
4	75120	BLUE HOSE CLAMP
5	56072-OMS-5.00	5/8" TUBE SS
6	KIT 11350022X	KIT,FOOT-VALVE,1/4",CLEAR-VINYL-TUBING (4)

		PDQ MANUFACTURING, INC. De Pere, WI <small>A DOVER COMPANY</small>	
TITLE		SOLUTION HOSES	
DRAWING:	REV:	SHEET:	
N/A	00	1 of 1	




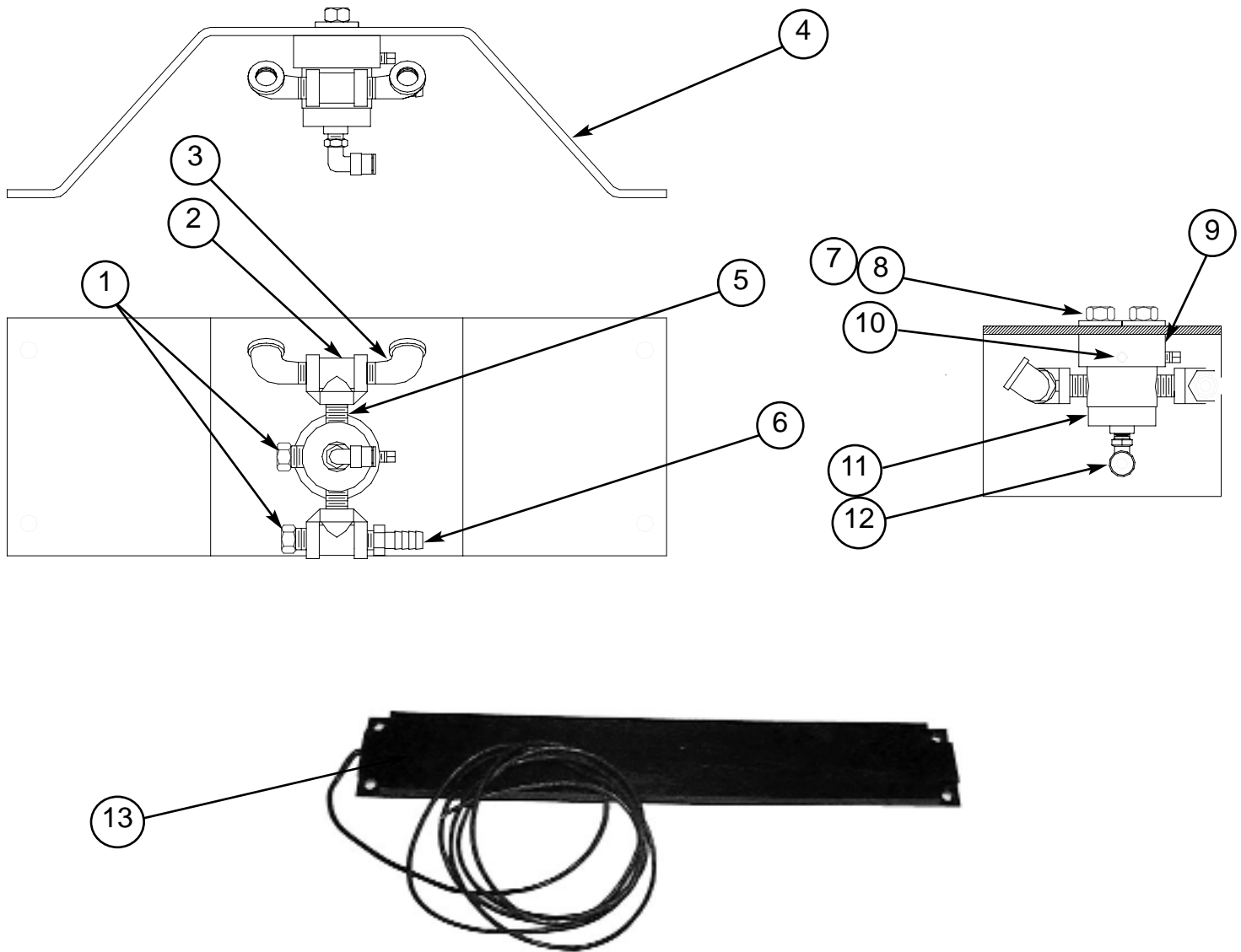
PART	PART #	DESCRIPTION
1	04030013	OVERLOAD RELAY 63-90A 3 P (575V)
2	04030014	OVERLOAD RELAY 63-90A 3 P (480V)
3	04030017	OVERLOAD RELAY 63-90A 3 P (280/240V)
*4	04020003	75A CONTACTOR (575V)
*5	04020021	75A CONTACTOR (480V)
6	04020007	75A CONTACTOR (208/240V)
*7	04090034	BACK PANEL
*8	04090033	15 x 11 ENCLOSURE

	PDQ MANUFACTURING, INC. De Pere, WI <small>A DOVER COMPANY</small>	
	TITLE J1A ELECTRICAL BOX- VERTICAL PUMP STATION	
DRAWING: N/A	REV: 00	SHEET: 1 of 1



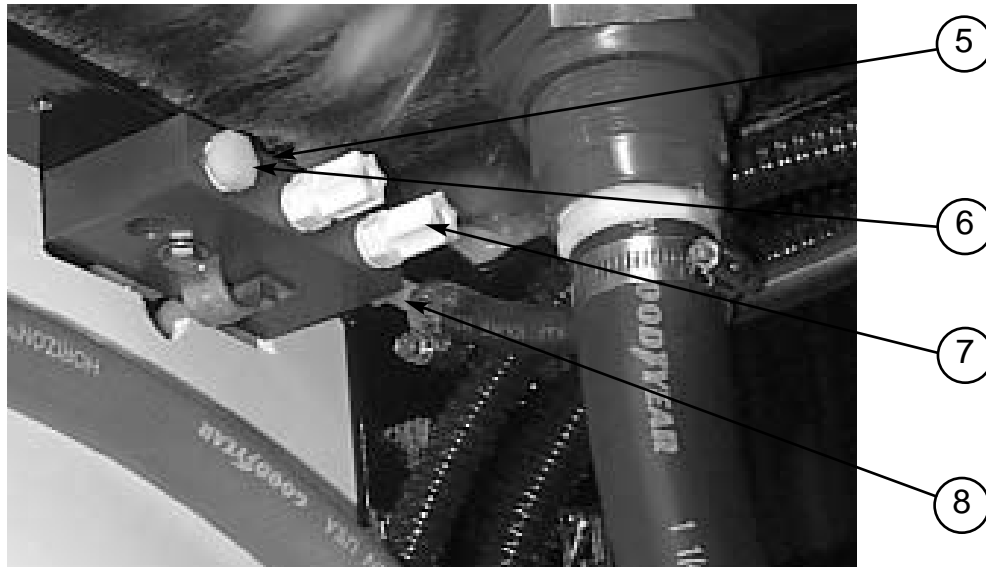
PART	PART #	DESCRIPTION
*1	31019	1/2" FLOAT SWITCH
*2	68306-MHN	1/4Hx1/4MNPT HOSE-BARB
*3	03020003	PRESSURE RELIEF VALVE
*4	67105-4S	1/4" TEE
*5	24336-PB	1/4Tx1/4MNPT TUBE FITTING
*6	67011-4S	1/4xCLOSE NIPPLE
*7	67013-4S	1/2MPTxCLOSE NIPPLE
*8	68111-MHN	3/8Hx1/4NPT HOSE-BARB
*9	63125	1/4FNPT CHECK VALVE
*10	67704-S	1/2x1/4 BUSHING
*11	67115-4S	1/2" TEE
*12	68311-MHN	3/8Hx14NPT HOSE-BARB
*13	67704-N	1/2x1/4 BUSHING

	PDQ MANUFACTURING, INC. De Pere, WI <small>A DOVER COMPANY</small>	
	TITLE *M920310 WHEEL CLEANER OPTION	
DRAWING: N/A	REV: 00	SHEET: 1 of 1




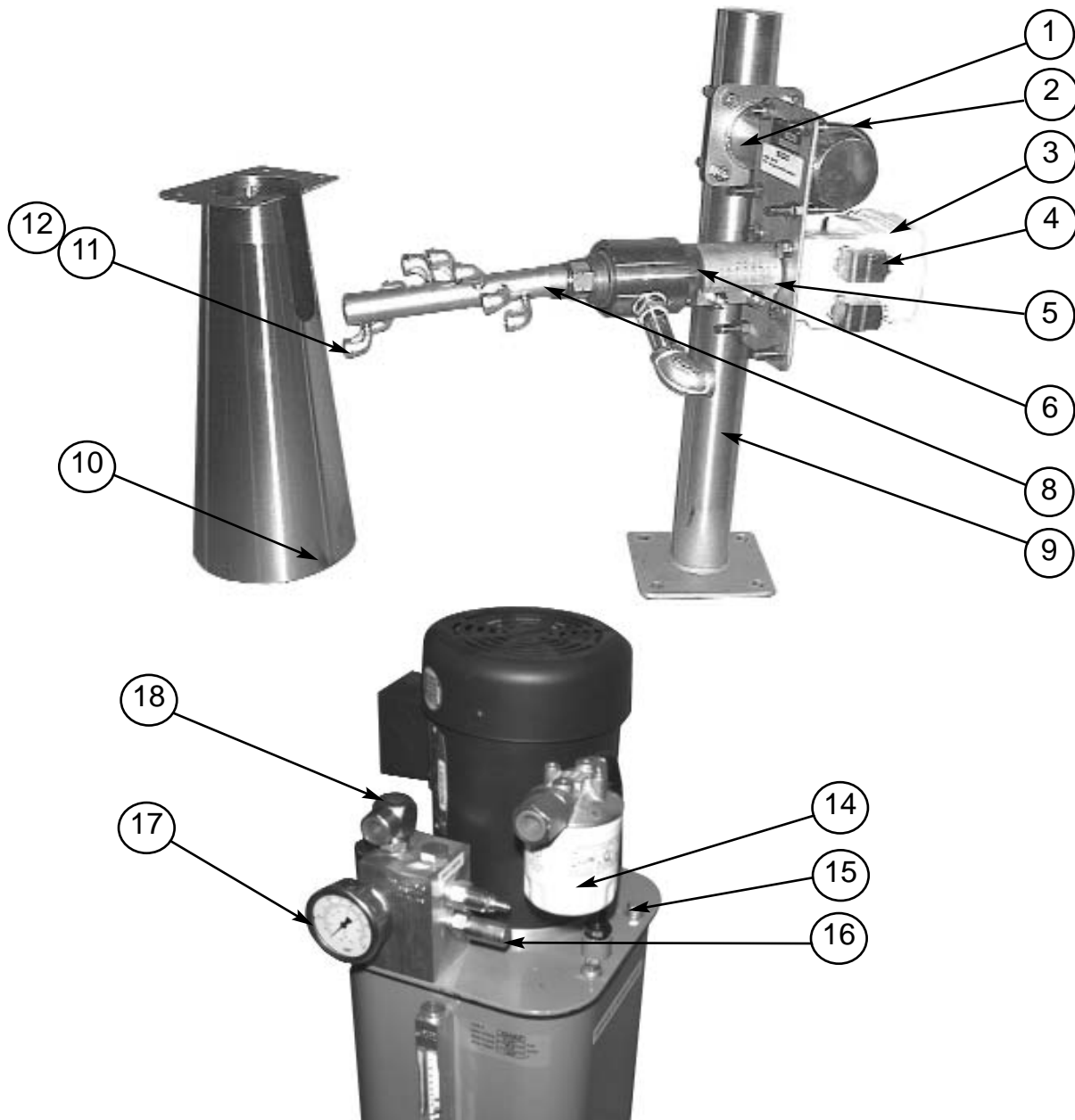
PART	PART #	DESCRIPTION
1	67651-N	1/4 PIPE PLUG
2	67105-4S	1/4 PIPE TEE
3	67487-4S	1/4 90 DEG ELBOW
4	M500300	COVER PLATE
5	67011-4S	1/4x CLOSE NIPPLE
6	68115-MHN	1/2Hx1/4NPT HOSE-BARB
7	70176-HCS	3/8NCx.50 CAP SCREW
8	71513-FS	3/8" FLAT WASHER
9	M690017	2x.75 COLLAR
10	73232	1/4-20X3/8 SET SCREW
11	22010	3-WAY-NC VALVE
12	24326-PB	5/32Tx1/8MPT TUBE FITTING
13	31009	WHEEL CLNR ACTIVATOR SWITCH

	PDQ MANUFACTURING, INC. De Pere, WI <small>A DOVER COMPANY</small>	
	TITLE WHEEL CLEANER SPRAY ASSEMBLY	
DRAWING: N/A	REV: 00	SHEET: 1 of 1



PART	PART #	DESCRIPTION
1	64158-4M	NOZZLE #4006
2	63118	1/2" CHECK VALVE (UNDER COVER)
3	M500132	RUST INHIBITOR COVER
4	M690151	5 PORT PVC RUST INHIB. MANIFOLD
5	M690150	PVC WHL. CLN/ RUST INHIB. BLOCK
6	67651-N	1/4" NYLON PLUG
7	M690055	MALE TUBE FIT 17/64 x 1/4.
8	68311-MHN	90 DEG HOSE BARB 3/8H x 1/4MNPT


		PDQ MANUFACTURING, INC. De Pere, WI <small>A DOVER COMPANY</small>
TITLE		M920320 RUST INHIBITOR OPTION
DRAWING: N/A	REV: 00	SHEET: 1 of 1

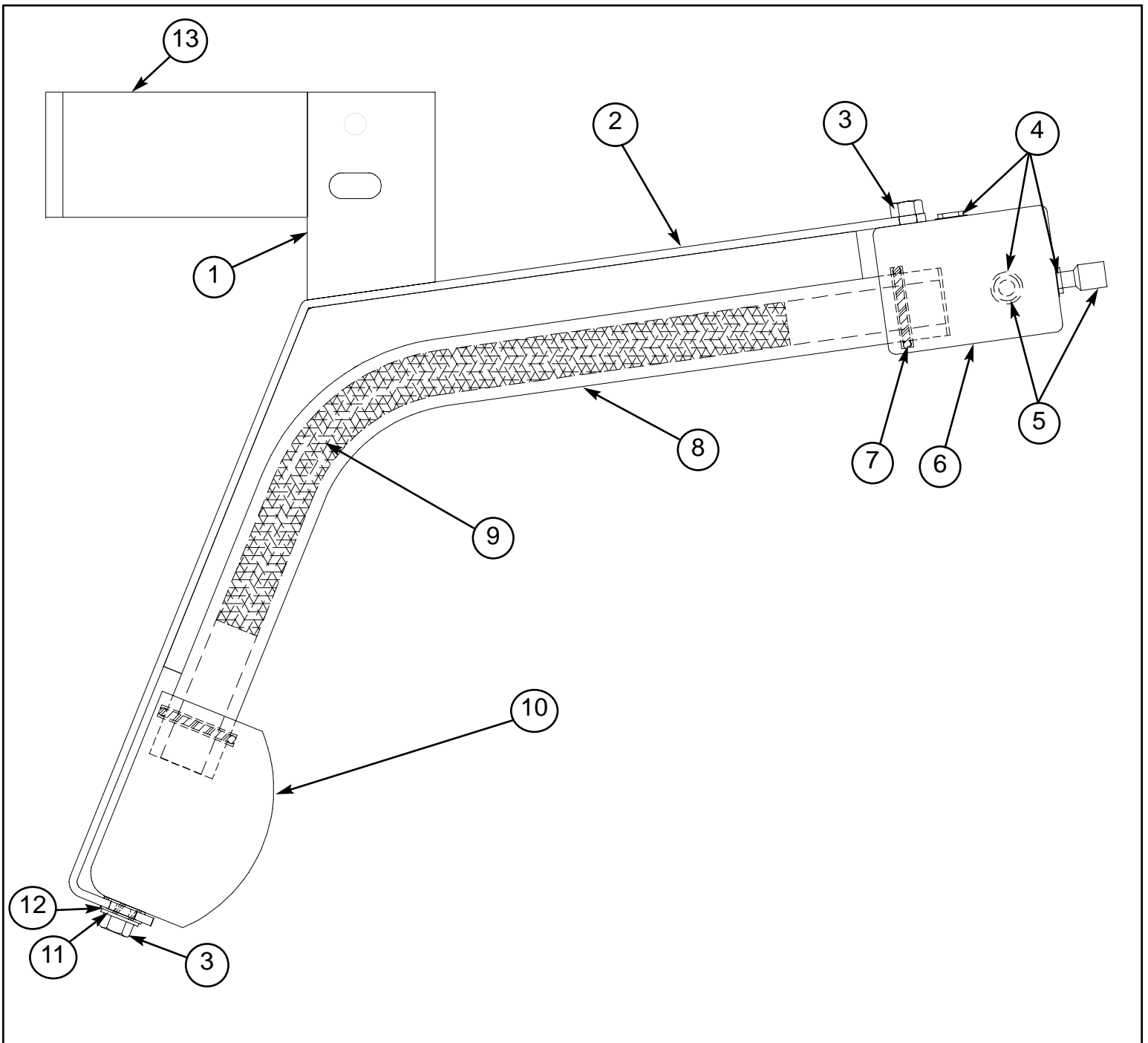


HYDRAULIC POWER PACK


PART	PART #	DESCRIPTION
1	M300034	ARM MOUNT
2	78206	U-BOLT
3	41001	HYDRAULIC MOTOR
4	67475-4B	HYDRAULIC FITTING
5	13200	DRIVE COUPLING
6	11320003	1" DRIVE ROTARY JOINT
7	66531	1" DRIVE ROTARY JOINT (OLD STYLE)
8	M360011	NOZZLE MANIFOLD
9	M300008	BASE WELDMENT
10	M381110	CONE GUARD
11	67485-4S	90 DEG. STREET ELBOW
12	67600-S	PLUG (NOT SHOWN)
13	45010	OIL, 5GAL, DTE, LIGHT (NOT SHOWN)
14	40503	OIL FILTER

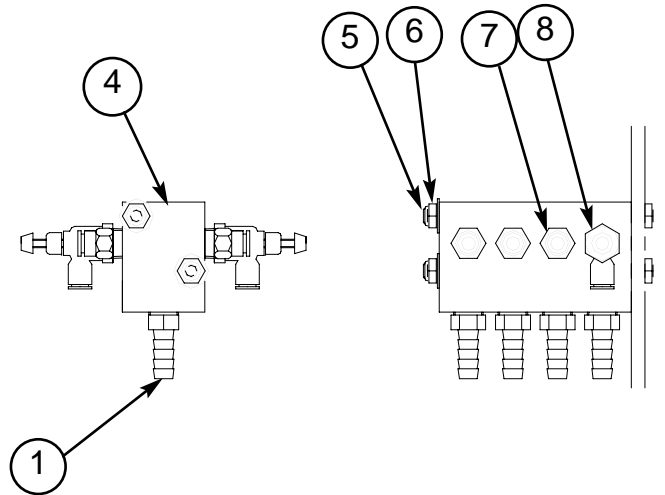
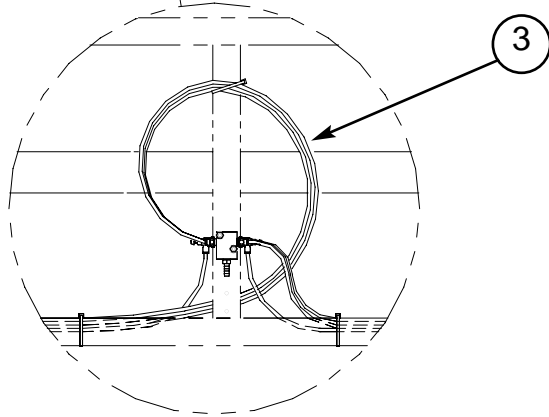
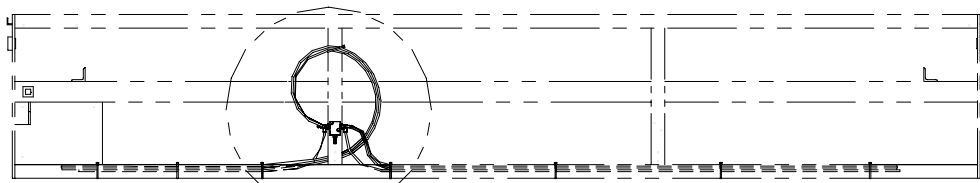
PART	PART #	DESCRIPTION
15	12020003	PUMP,PRICE,REPLACEMENT-POWPAC
16	12020005	VALVE,RELIEF,POW-PAC,PRICE-1.5HP
17	12020004	GAUGE,PRICE-1.5HP,POWERPAC
18	12020006	FLOW-CONTROL,PRICE,1.5HP,POWPAC

		PDQ MANUFACTURING, INC. De Pere, WI <small>A DOVER COMPANY</small>	
TITLE		GATLING GUNS OPTION	
DRAWING:	REV:	SHEET:	
N/A	00	1 of 1	




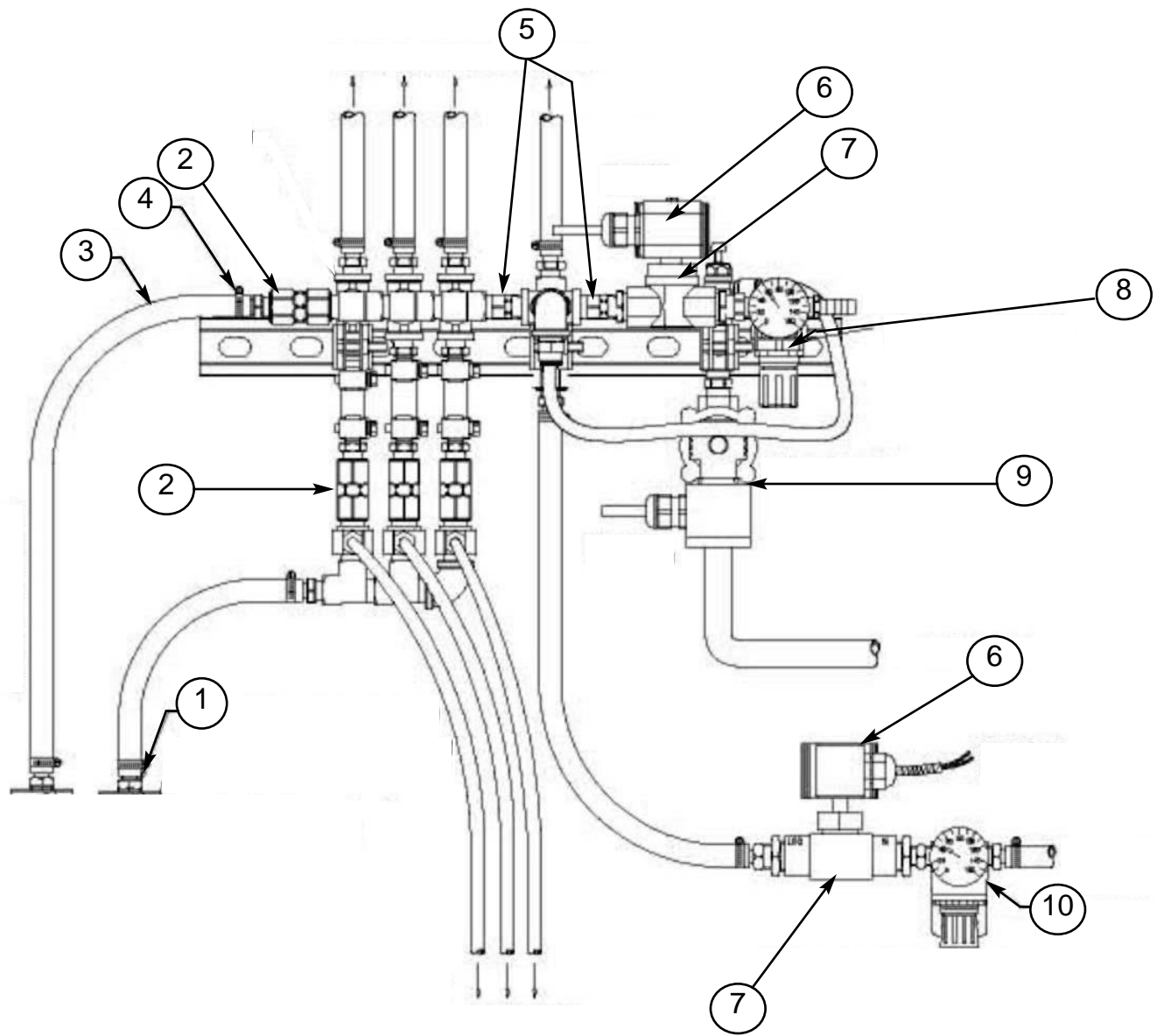
PART	PART #	DESCRIPTION
1	06140217	3X-SPRAY-MANIFOLD BRACKET, SST
2	07020095	WELDED BRACKET
3	05040028	M6x16MM SCREW
4	03320009	1/4" PUSH-LOCK TUBE FITTING
5	03320021	1/4" T TUBE FITTING
6	03220034	60x125MM MANIFOLD
7	03290015	1-1/16x1/8" O-RING
8	03270003	.75" SCH80x400MM PIPE
9	91999	TEFLON MESH
10	07100003	1.3MMx30HOLES NOZZLE
11	71511-FS	1/4" FLAT WASHER
12	06310001	GROMMET
13	06140217	L-BRACKET (prior installation of assembly)

	PDQ MANUFACTURING, INC. De Pere, WI <small>A DOVER COMPANY</small>	
	TITLE 3X COLOR FOAM SPRAY MANIFOLD OPTION	
DRAWING: N/A	REV: 00	SHEET: 1 of 3




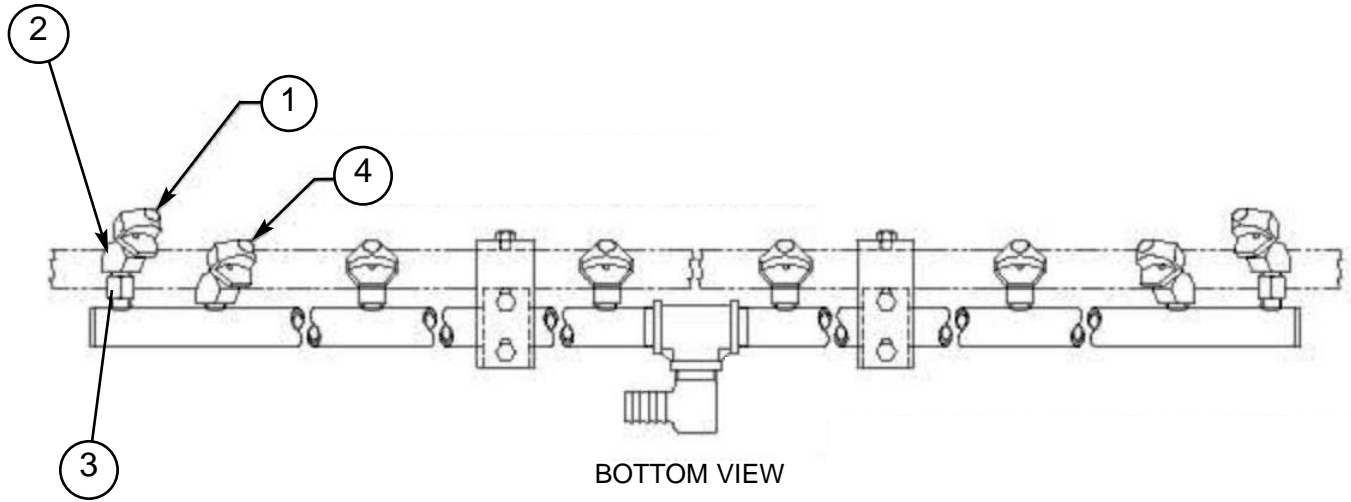
PART	PART #	DESCRIPTION
1	03310003	3/8Hx1/4MPT HOSE-BARB
3	23965-NE	.25"ODx.04"WALL TUBING
4	03220090	1/4FPTx12 BLOCK MANIFOLD
5	71011-NCS	1/4-20ONC LOCK NUT
6	71511-FS	1/4 FLAT WASHER
7	24025-PB	1/4Tx1/4MPT TUBE FITTING
8	21131	90 DEG FLOW CONTROL VALVE(2)

	PDQ MANUFACTURING, INC. De Pere, WI <small>A DOVER COMPANY</small>	
	TITLE COLOR FOAM DIVIDER MANIFOLD (BRIDGE) OPTION	
DRAWING: N/A	REV: 00	SHEET: 2 of 3



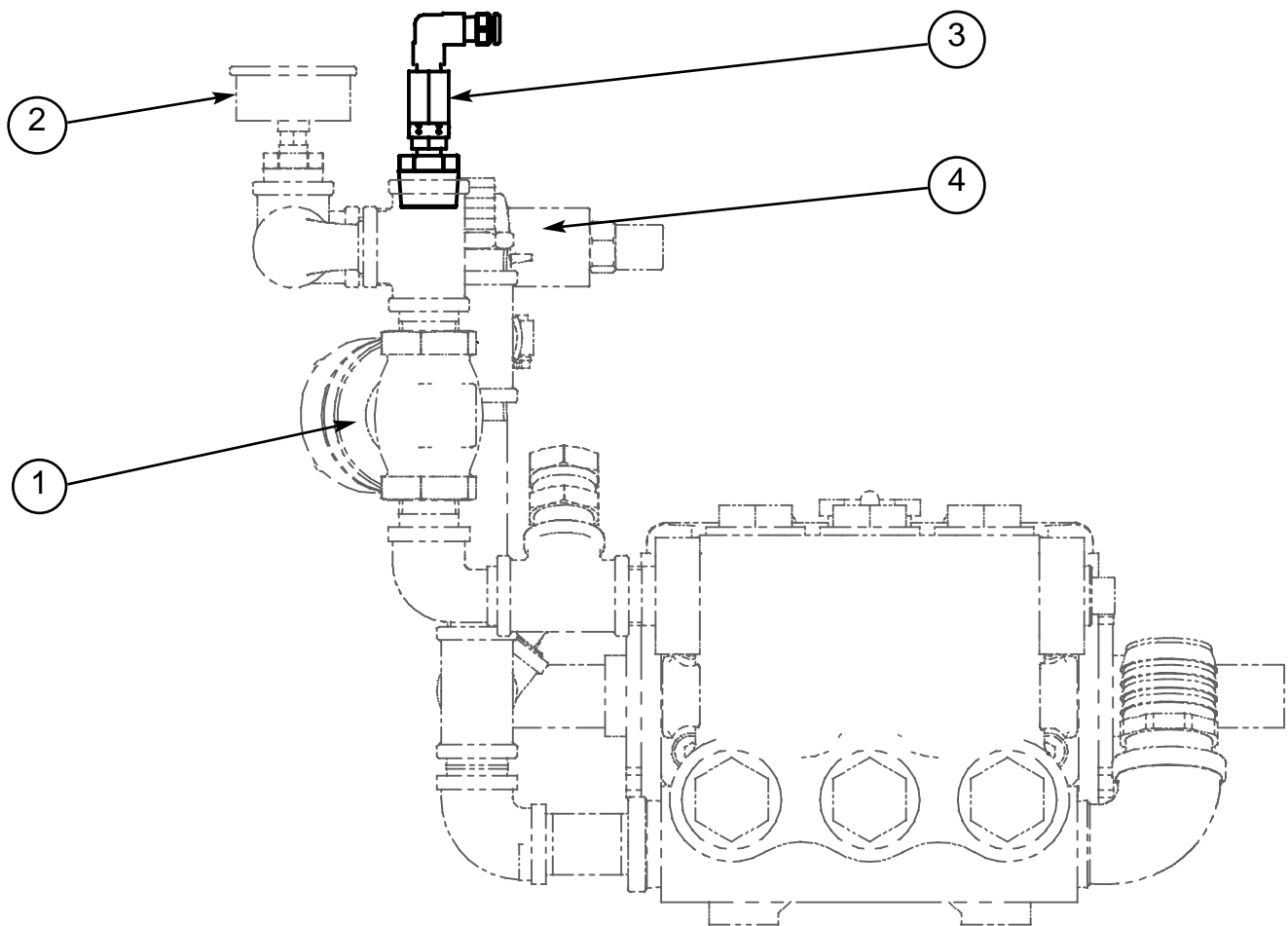
PART	PART #	DESCRIPTION
1	68112-MHB	HOSE BARB
2	03010080	VALVE,CHECK,3/8MPT,500PSI,SPRING,LIG,BR
3	01130010	3/8" HOSE
4	75101	HOSE CLAMP
5	03010080	VALVE,CHECK,3/8MNPT,500PSI,BRASS
6	63300	COIL JUNCTION BOX,24V
*7	63305	1/2" SOLENOID VALVE
8	26160	REG. VALVE W/NUT
9	03010110	3/8 BRASS DIAPHRAM VALVE,1-150PSI,24VAC
10	26160	REGULATOR VALVE, 125PSI

	PDQ MANUFACTURING, INC. De Pere, WI <small>A DOVER COMPANY</small>	
	TITLE 3X COLOR FOAM OPTION-PURGE MANIFOLD	
DRAWING: N/A	REV: 00	SHEET: 3 of 3



PART	PART #	DESCRIPTION
1	03230029	NOZZLE, DEFLECTION
2	03040001	45 DEGREE STREET ELBOW FITTING
3	03140004	STRAIGHT ADAPTER FITTING
4	11250052	SHORT NOZZLE ASSEMBLY

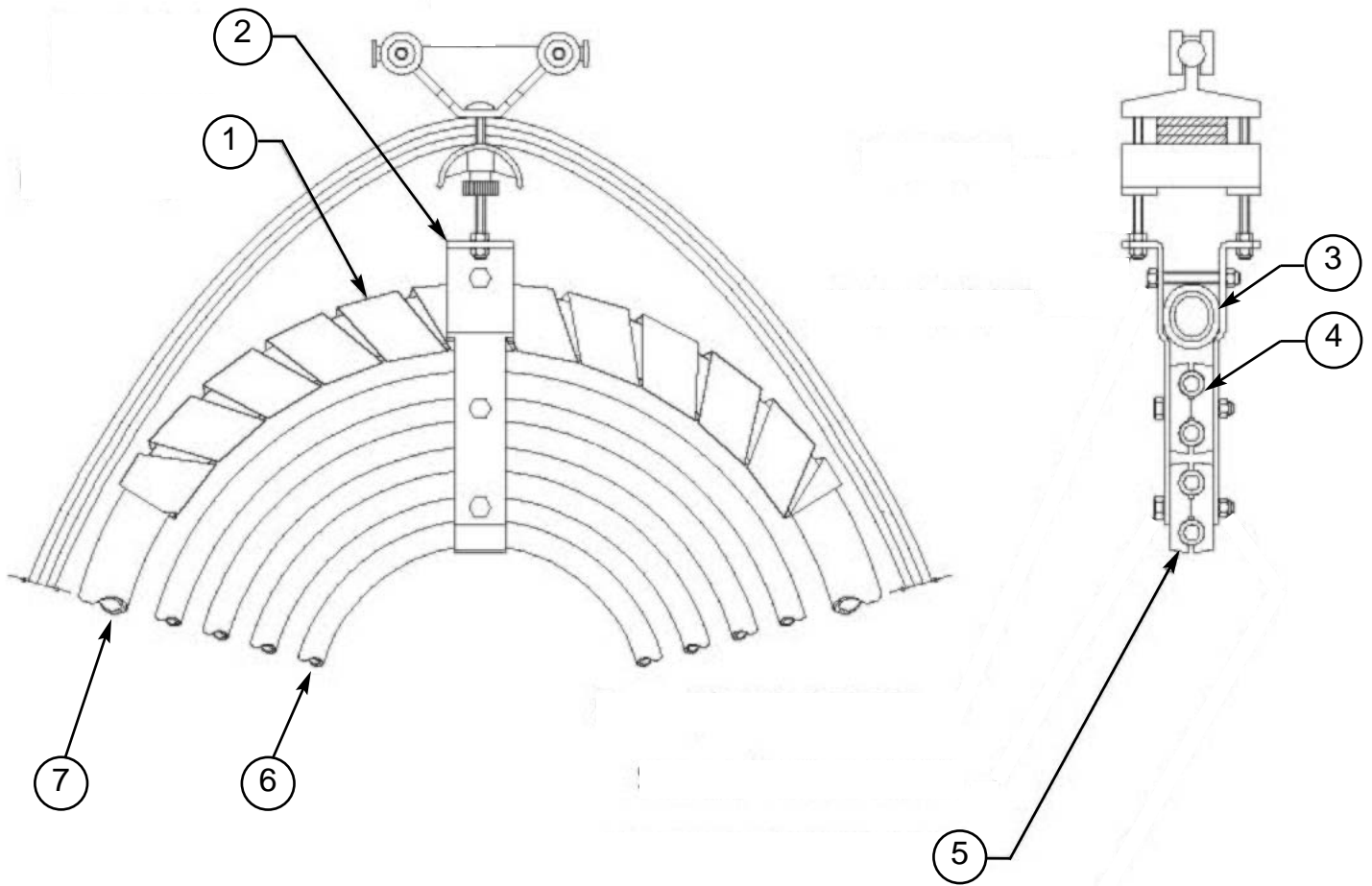
		PDQ MANUFACTURING, INC. De Pere, WI <small>A DOVER COMPANY</small>	
TITLE		PRODUCTIVITY PACKAGE OPTION	
DRAWING: N/A		REV: 00	SHEET: 1 of 2



The General Pump Configuration contains identical parts.

PART	PART #	DESCRIPTION
*1	03010115	POPPET VALVE, LEXAIR
2	25046	0-400PSI PRESSURE GAUGE
3	63173	CHECK VALVE
4	03010039	RELIEF VALVE

		PDQ MANUFACTURING, INC. De Pere, WI <small>A DOVER COMPANY</small>	
TITLE PRODUCTIVITY PACKAGE OPTION LEX AIR VALVE			
DRAWING: N/A		REV: 00	SHEET: 2 of 2



PART	PART #	DESCRIPTION
1	06370062	SLEEVE, SPIRAL 18"
2	06140244	BRACKET, FESTOON
3	05070004	.75 HOSE COLLAR
4	05070003	.38 HOSE COLLAR
5	05050035	CLAMP HOSE
6	01130010	HOSE, 3/8", 200PSI, BLACK
7	01130025	HOSE, 3/4", 250PSI, BLACK

	PDQ MANUFACTURING, INC. De Pere, WI <small>A DOVER COMPANY</small>	
	TITLE 02120004 FESTOON TROLLEY ASSEMBLY	
DRAWING: N/A	REV: 00	SHEET: 1 of 1



Vehicle Wash Systems

A  COMPANY

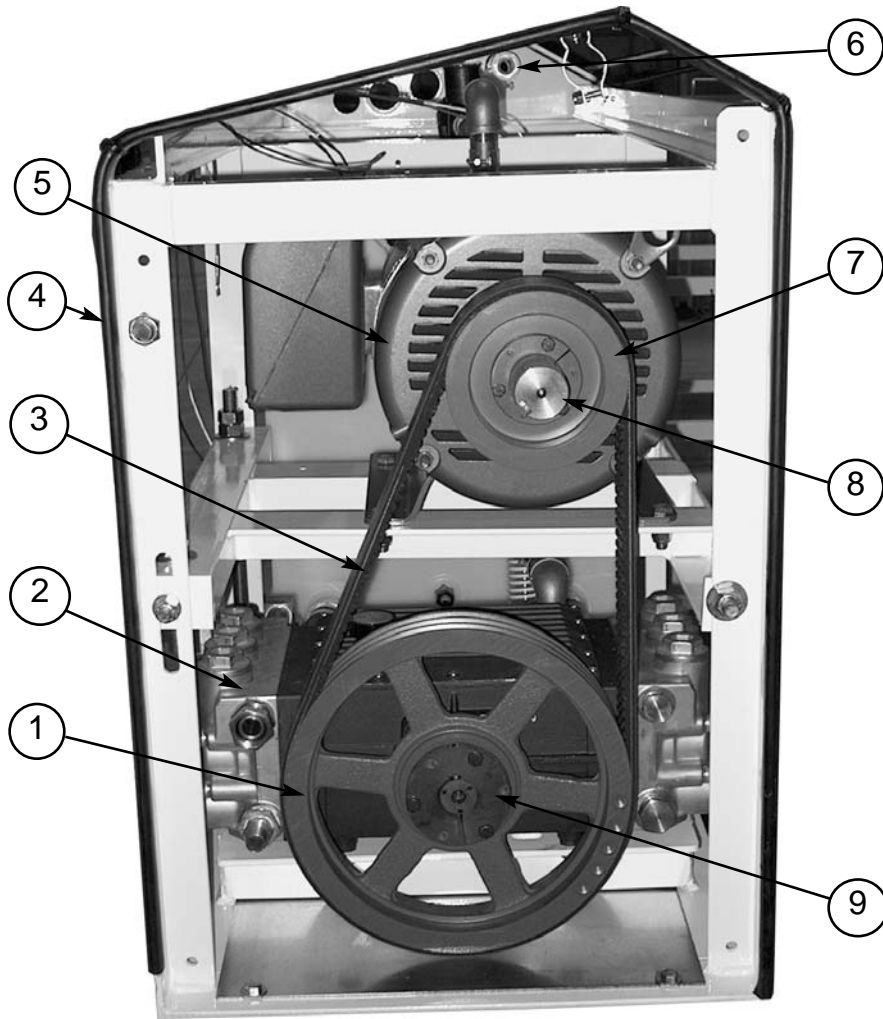
Section 3

SlimLine™ **PUMP STATION**

LASERWASH® 4000




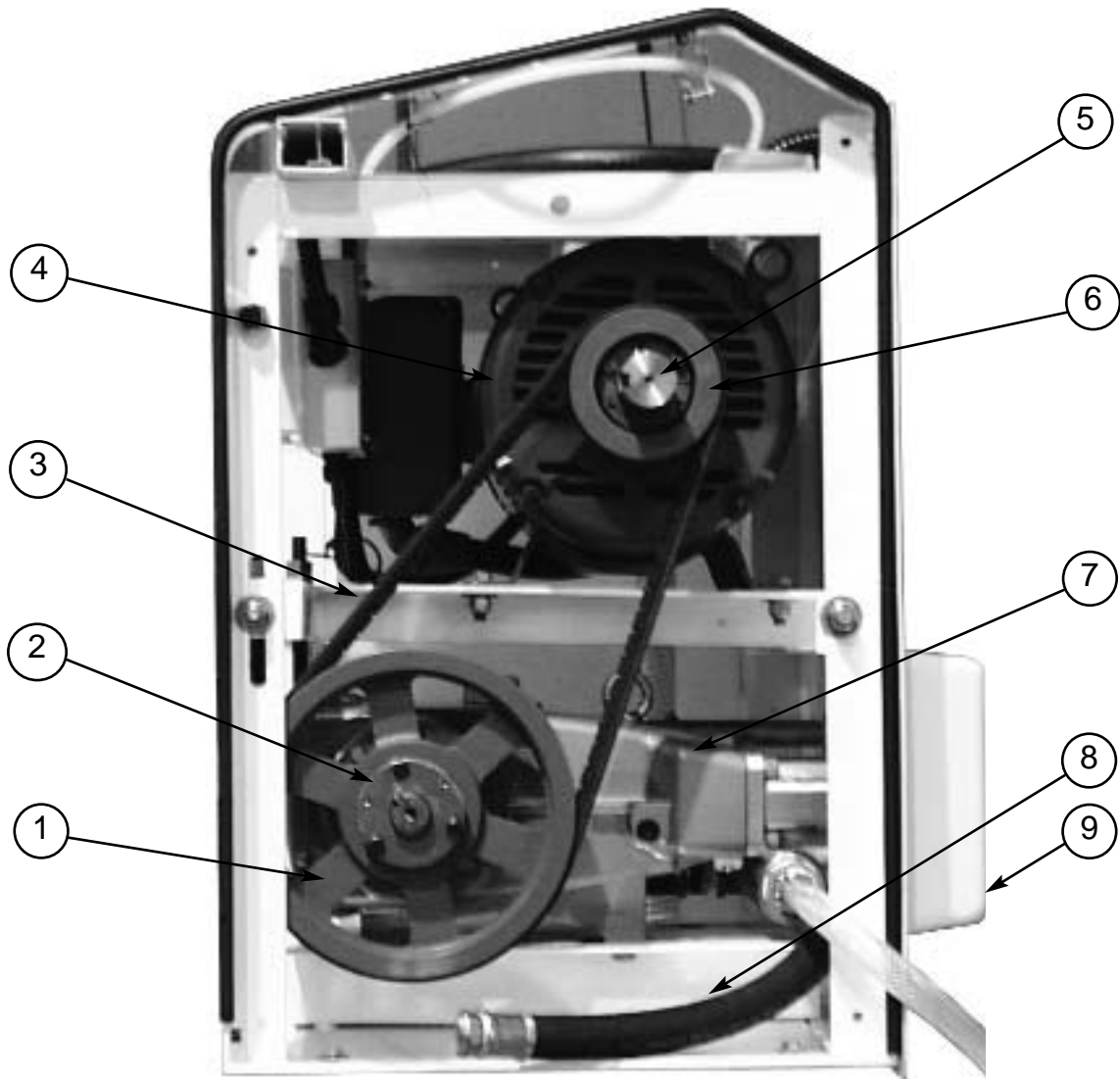
Refer to Vertical Pump Station Section for J1A, On Board Heater Tank, Low pressure Solution Manifold detail and parts included with the following options: Wheel Cleaner, Rust inhibitor, and Hot Water injection.




PART	PART #	DESCRIPTION
1	12041-3SK	SHEAVE
2	62651	GENERAL PUMP
3	11059-3BX	V-BELT
*4	35022	5x5x53 ENCLOSURE
5	38030-A	25 HP MOTOR
*6	36115	1" CLAMP
7	12026-3SD	SHEAVE
8	12532-SD	BUSHING
9	12519-SK	BUSHING

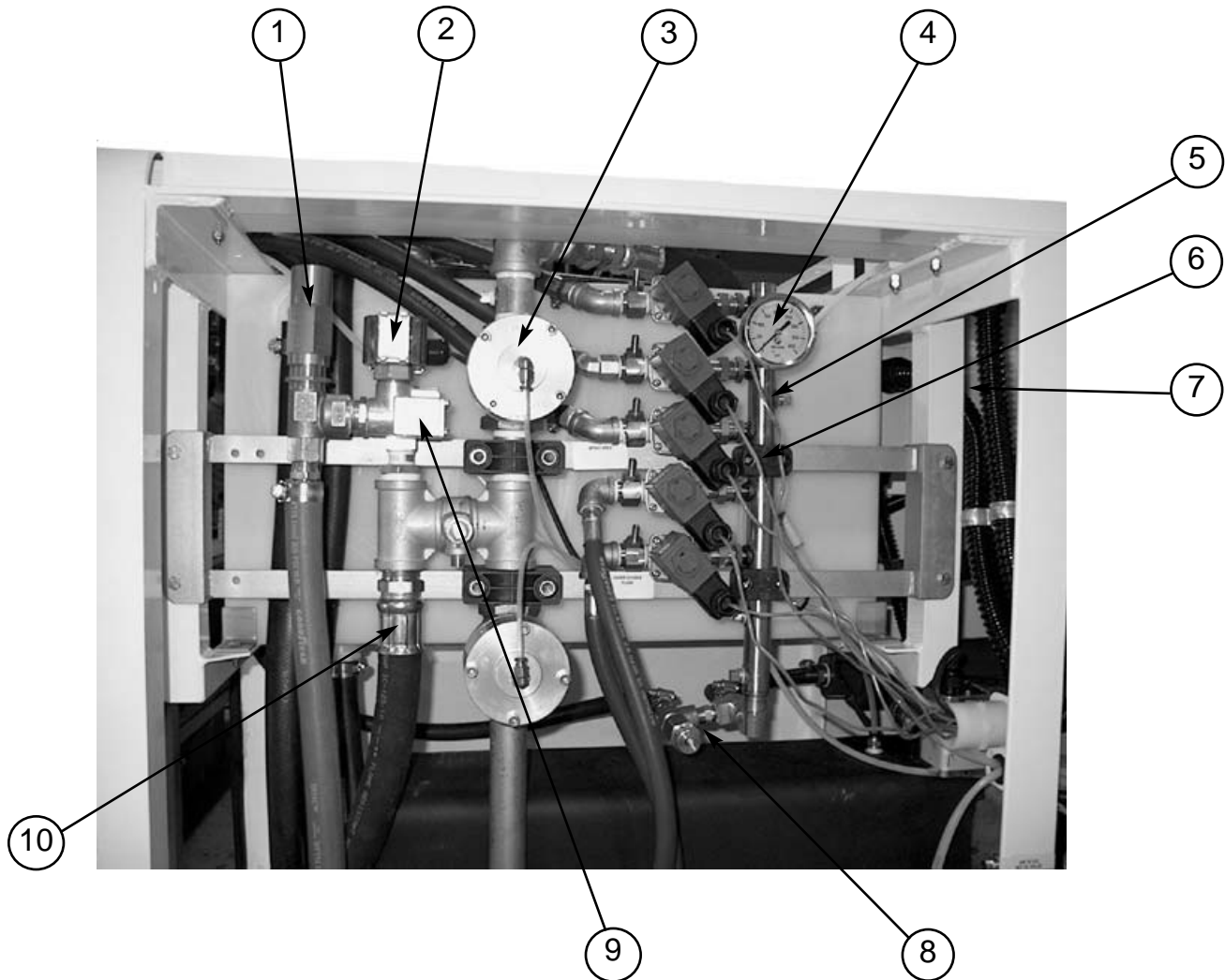
COVERS FOR SLIM LINE HIGH PRESSURE	
M500187	PANEL TOP FRONT
M500188	PANEL BACK
M500190	PANEL BOTTOM
M500195	PANEL ENCLOSURE LOUVERS
M520174	PANEL GUARD
79050	HANDLE

	PDQ MANUFACTURING, INC. De Pere, WI <small>A DOVER COMPANY</small>	
	TITLE HIGH PRESSURE PUMP DRIVE- SLIM LINE, GENERAL PUMP	
DRAWING: N/A	REV: 00	SHEET: 1 of 2



PART	PART #	DESCRIPTION
1	06030011	11.3 SHEAVE
2	06200017	35MM BUSHING
3	06020011	60" BELT
4	38030-A	25 HP MOTOR (208-480V)
5	12532-5D	1-7/8" BUSHING
6	06030010	5.2 SHEAVE
7	62700	CAT PUMP
8	07170046	1"x34" HP HOSE
*9	06160136	19x12 COVER


	PDQ MANUFACTURING, INC. De Pere, WI <small>A DOVER COMPANY</small>	
	TITLE HIGH PRESSURE PUMP DRIVE- SLIM LINE, CAT PUMP	
DRAWING: N/A	REV: 00	SHEET: 2 of 2



PART	PART #	DESCRIPTION
1	63188	UNLOADER VALVE
2	63300	24VAC COIL BOX
3	03010115	LEXAIR VALVE (2)
4	25046	GAUGE 0-400
5	M360057	7 HOLE MANIFOLD
6	75016	TUBE CLAMP
7	35024	5x5 ENCLOSURE
8	63177	3/8" UNLOADER VALVE
9	63307	1/2" SOLENOID VALVE
10	43908	21" HOSE ASSY. (GENERAL PUMP)
11	38905	HEATER STRIP (NOT SHOWN)
12	M380032	HEATER STRIP SUPPORT (N/S)

Refer to the vertical pump station section for additional pumping components not called out on this page.

*COVERS FOR SLIM LINE LOW PRESSURE	
*M500189	PANEL FT. INLET
*M500188	PANEL BACK
*M500200	PANEL TOP FT.
*M500201	PANEL BOTTOM
*M520175	PANEL GUARD
*COVERS FOR SLIM LINE WATER SOFTENER	
*06160075	TOP FRONT COVER

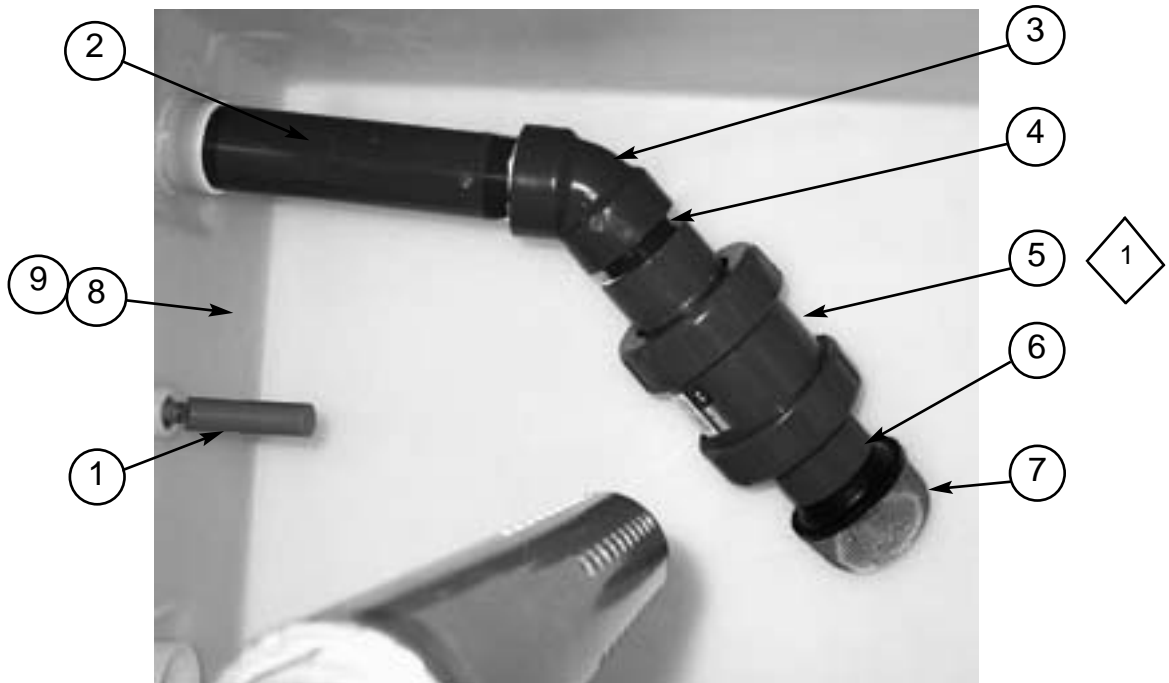
	PDQ MANUFACTURING, INC. De Pere, WI <small>A DOVER COMPANY</small>	
	TITLE SLIM LINE IN-BAY PUMP STATION	
DRAWING: N/A	REV: 00	SHEET: 1 of 1



1 Refer to the vertical pump station section for walters fill valve part numbers.

PART	PART #	DESCRIPTION
*1	67410-4N	ELBOW
*2	67015-D4B	IMPTx3 NIPPLE
*3	03010023	FLOAT VALVE
*4	03130015	3/4NPTx3 NIPPLE
*5	M390078	WATER DIFFUSER

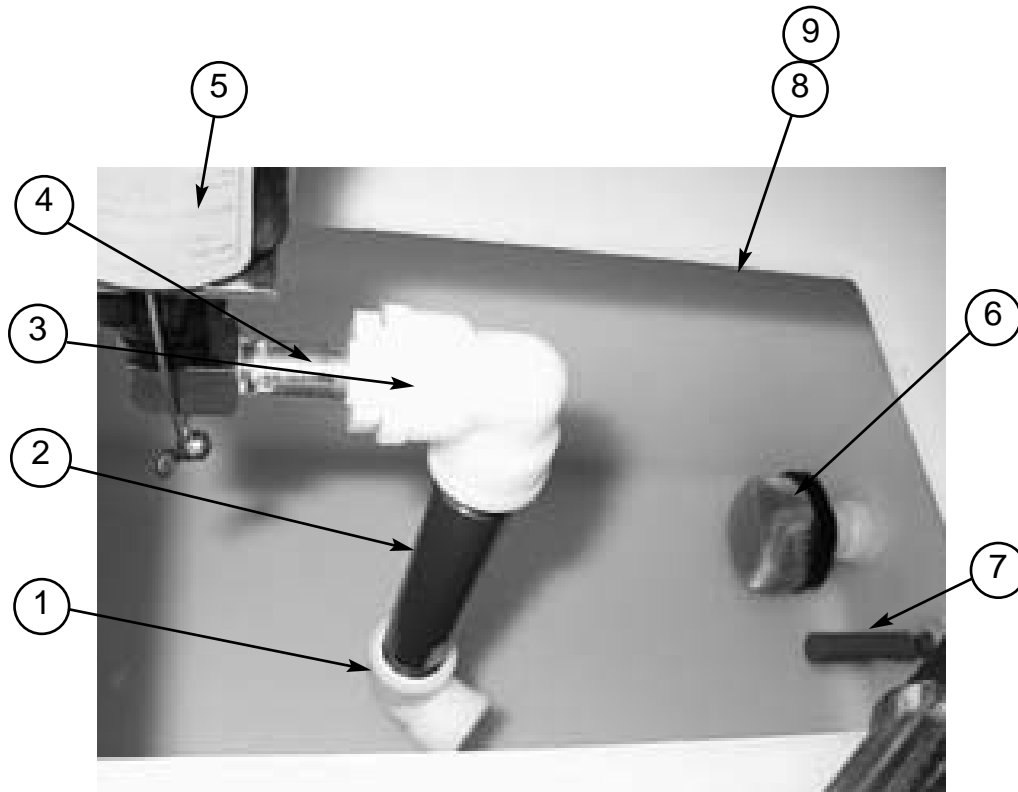
		PDQ MANUFACTURING, INC. De Pere, WI <small>A DOVER COMPANY</small>	
TITLE *HP STORAGE TANK FLOAT VALVE ASSEMBLY			
DRAWING: N/A		REV: 00	SHEET: 1 of 1




1 Refer to the vertical pump station section for complete inlet check valve assembly kits.

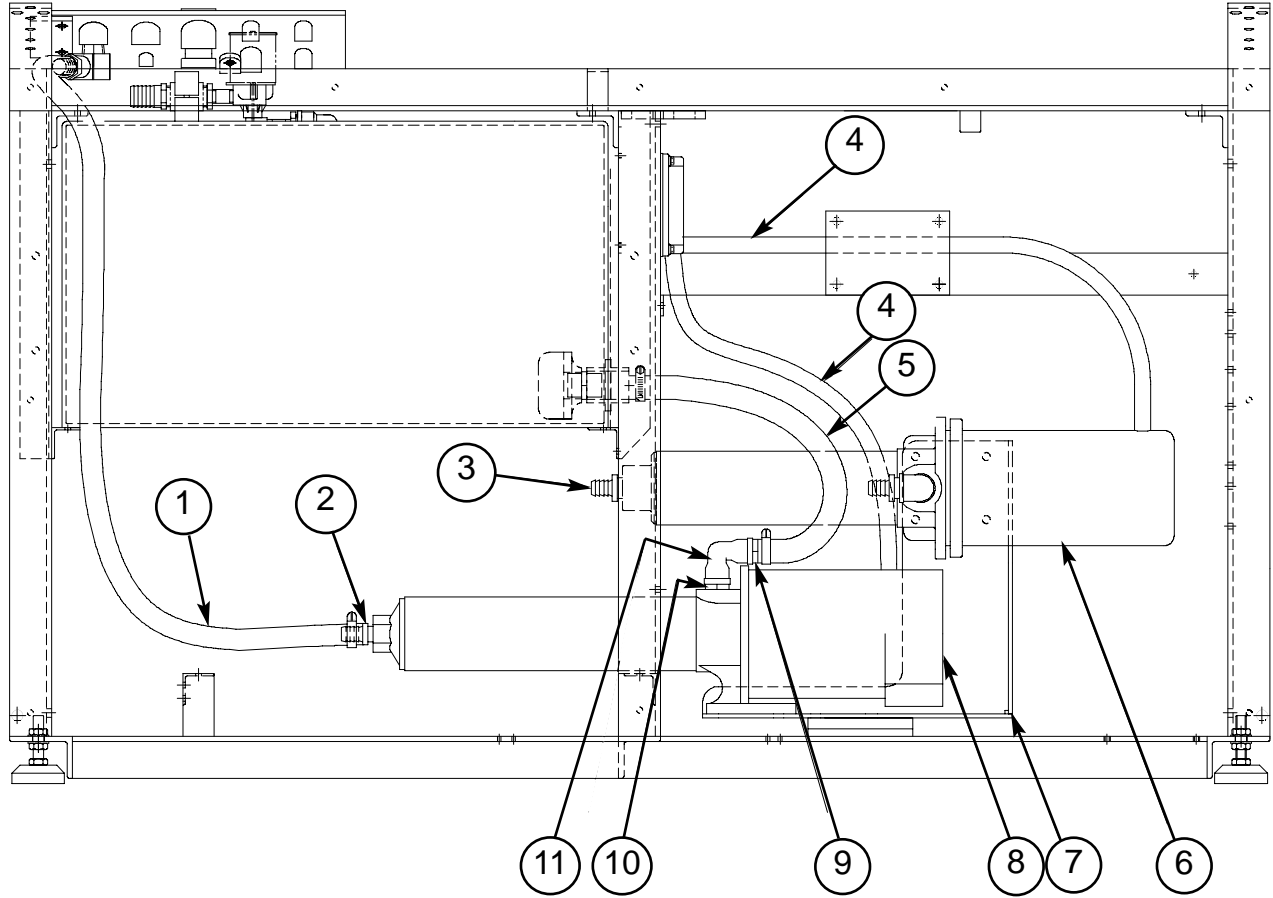
PART	PART #	DESCRIPTION
*1	31019	1/2MPT FLOAT SWITCH
2	03130005	1-1/2x8" NIPPLE (FRONT ASSEMBLY ONLY)
3	03040006	45 DEG. 1-1/2NPT ELBOW
4	67017-8P	1-1/2xCLOSE NIPPLE
5	63154	1-1/2 CHECK VALVE
6	67017-8P	1-1/2xCLOSE NIPPLE
7	66101	1-1/2 STRAINER
*8	M350040	TANK, STORAGE, HP
9	06160104	COVER, STORAGE TANK (NOT SHOWN)

		PDQ MANUFACTURING, INC. De Pere, WI <small>A DOVER COMPANY</small>
TITLE HP STORAGE TANK CHECK VALVE ASSEMBLY		
DRAWING: N/A	REV: 00	SHEET: 1 of 1




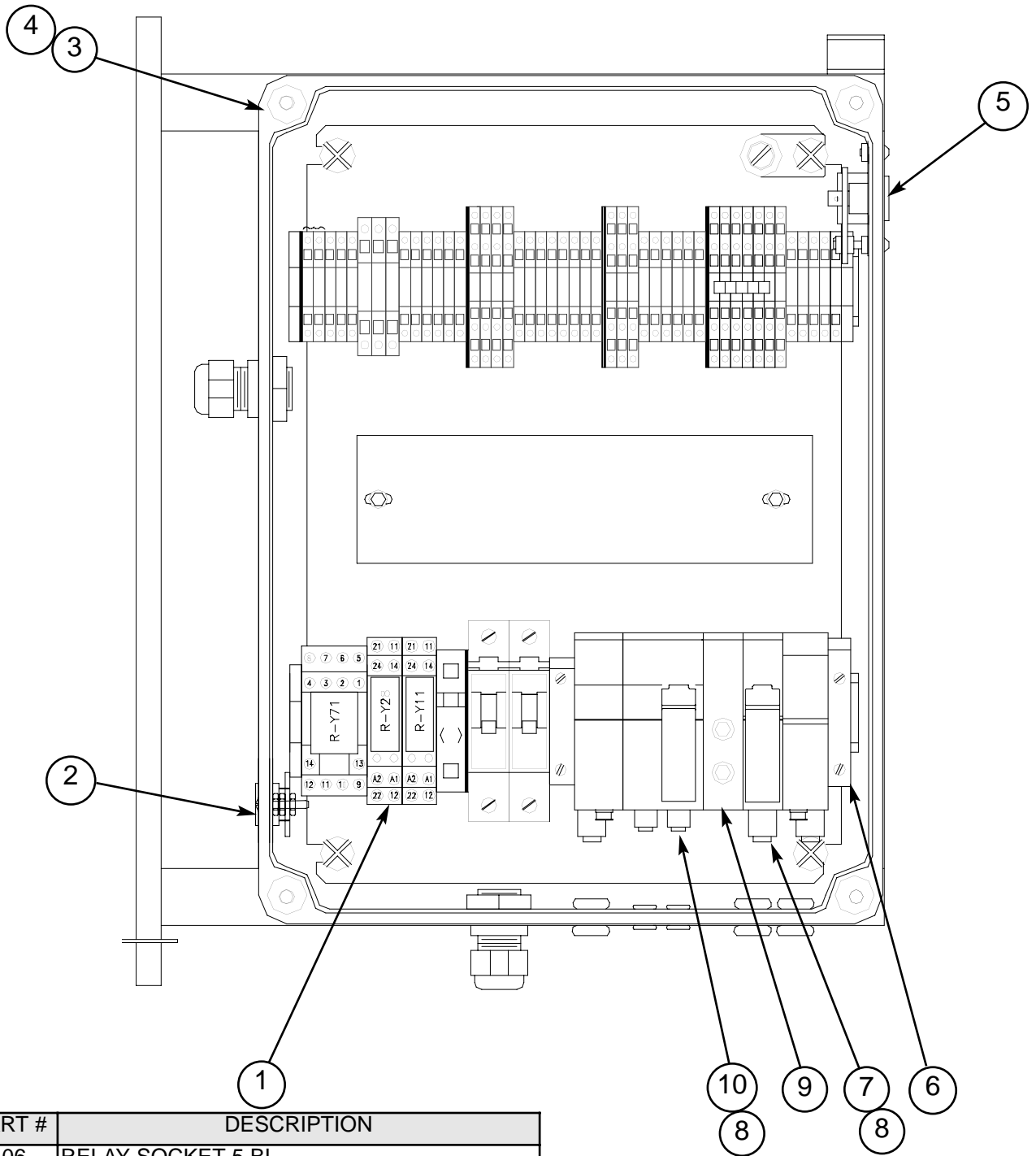
PART	PART #	DESCRIPTION
*1	67408-4N	90 DEG ELBOW
*2	67014-I8P	3/4x6 NIPPLE
*3	67408-4N	PIPE ELBOW
*4	67011-B4B	1/4x2 NIPPLE
*5	03010022	SMALL FLOAT VALVE
6	03020001	SUCTION STRAINER (ONE SHOWN)
*7	31019	1/2MPT FLOAT SWITCH
*8	M350040	TANK, STORAGE, LP
*9	06160047	COVER, TANK (NOT SHOWN)

		PDQ MANUFACTURING, INC. De Pere, WI <small>A DOVER COMPANY</small>	
TITLE		LOW PRESSURE FLOAT VALVE ASSEMBLY	
DRAWING:	REV:	SHEET:	
N/A	00	1 of 1	




PART	PART #	DESCRIPTION
1	61030	3/4" HOSE WATER
2	68123-MHB	3/4" HOSE BARB
3	68118-MHB	1/2" HOSE BARB
4	36005	1/2" FLEXIBLE CONDUIT
5	61031	1" HOSE WATER
6	04120015	STA-RITE PUMP W/ MOTOR
7	06140337	PUMP-MOUNT BRACKET
8	62300	TEEL PUMP W/ MOTOR
9	68128-MHN	1 3/4" HOSE BARB
10	67060-4N	3/4" NIPPLE
11	67408-4N	3/4" ELBOW PIPE

	PDQ MANUFACTURING, INC. De Pere, WI <small>A DOVER COMPANY</small>	
	TITLE SPOT FREE AND SOLUTION PUMPS	
DRAWING: N/A	REV: 00	SHEET: 1 of 1



PART	PART #	DESCRIPTION
1	32106	RELAY SOCKET 5 BL
2	32901	THERMOSTAT, DISC, TYPE STO-60
3	35060	15x11 ENCLOSURE
4	35060-C	15x11 COVER ONLY
5	32906	SNAP DISK, TEMP CONTROL
6	22070	VALVE MOD INTERF. DBL
7	22069	VALVE MOD INTERF - SINGLE
8	22067	VALVE MOD SOL PILOT (2)
9	22068	VALVE MOD INTERF - AUX
10	22066	VALVE MOD INTERF ELE-PNUE DBL.
11	32025	RELAY,120VAC,10A,5BL (NOT SHOWN)
12	32026	RELAY COIL,120VAC,10A,5BL (NOT SHOWN)
13	32105	RELAY SOCKET,5BL (NOT SHOWN)

		PDQ MANUFACTURING, INC. De Pere, WI <small>A DOVER COMPANY</small>	
TITLE		ELECTRICAL BOXES- SLIM LINE PUMP	
DRAWING: N/A	REV: 00	SHEET: 1 of 1	



Vehicle Wash Systems

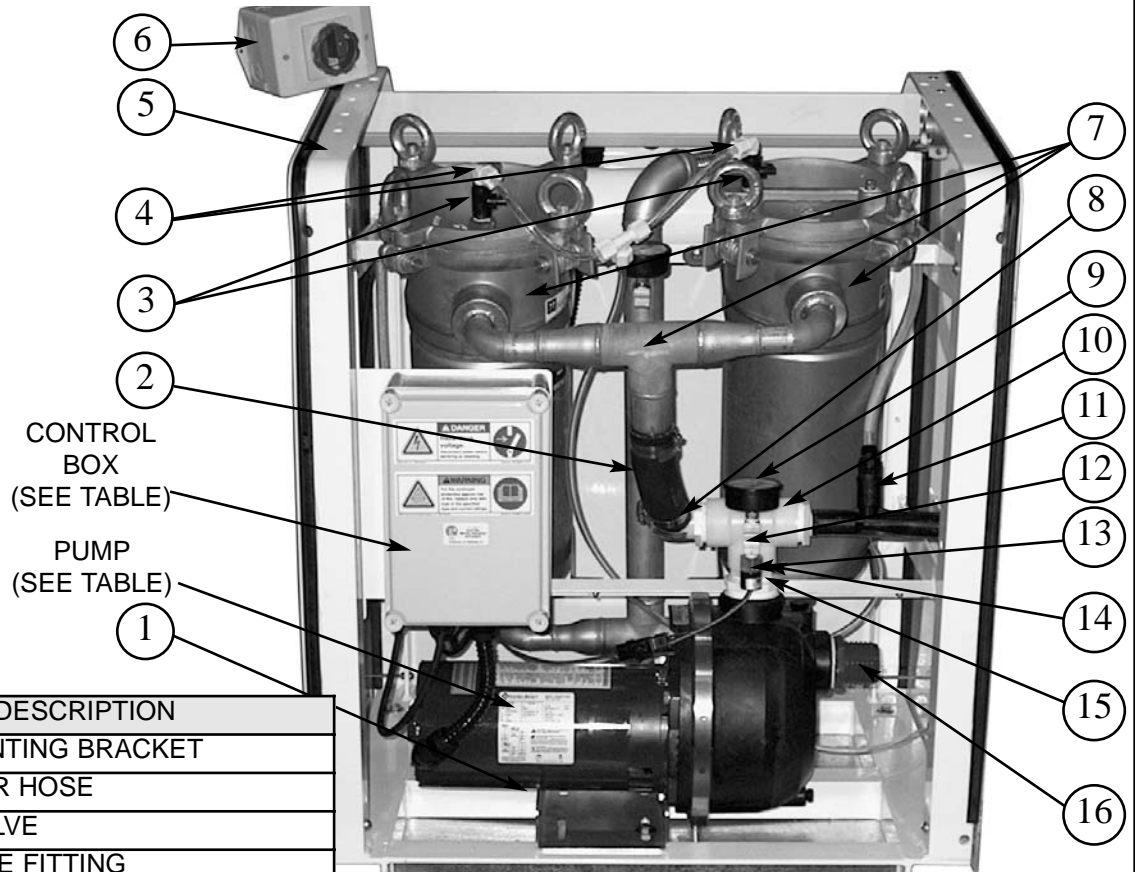
A  COMPANY

Section 4
WATER RECLAMATION
SYSTEM

~~LASERWASH® 4000~~



RECLAIM	SUPPLY	CONTROL BOX	OZONE GENERATOR	PUMP	SERIAL LABEL
11050015	208/240V 60Hz	M100041	93975	62087	M404087
11050017	380V 50Hz	M100049	93980	62088	M404089
11050018	220V 50Hz	M100061	93980	62088	M404088
11050019	208/240V 60Hz	11010030	93975	62087	02020403
11050020	380V 50Hz	11010031	93980	62088	02020404



PART	PART #	DESCRIPTION
1	M500285	PUMP MOUNTING BRACKET
2	61074	1-1/2" WATER HOSE
3	63201	1/4 BALL VALVE
4	24298-FO	ELBOW TUBE FITTING
5	M300156	FRAME
6	04040018	DISCONNECT SWITCH
7	07010005	RECLAIM FILTER HOUSING ASSY,SST
8	68341-MHN	HOSE BARB
9	25009	0-60 PMT PRESSURE GAUGE
10	69536-N	TEE GAUGE
11	63471	INJECTOR, OZONE
12	67105-4B	TEE PIPE
13	31037	14PSI PRESSURE SWITCH
14	67069-4N	HEX NIPPLE
15	67736-4P	PIPE BRUSHING
16	68147-M4P	HOSE BARB
17	03370002	FILTER, REPLACEMENT(NOT SHOWN)

COVERS RECLAIM		RECLAIM CLEARWATER II	
M500219	PANEL, TOP REAR	M294710	TANK FLOAT ASS.
M500220	PANEL, FRONT	07080030	GLUED PVC MANIFOLD
M500221	PANEL, TOP FRONT	M390069	WELDED FILTER HOUSING
M500222	PANEL, BACK	M290028	FILTER ELEMENT
M500223	PANEL, END NO-OPENING		
M500225	PANEL, END OPENING		
59998	HINGE		

PDQ PDQ MANUFACTURING, INC.
De Pere, WI
A DOVER COMPANY

TITLE WATER RECLAMATION SYSTEM

DRAWING: N/A REV: 00 SHEET: 1 of 1



Vehicle Wash Systems

A  DOVER COMPANY

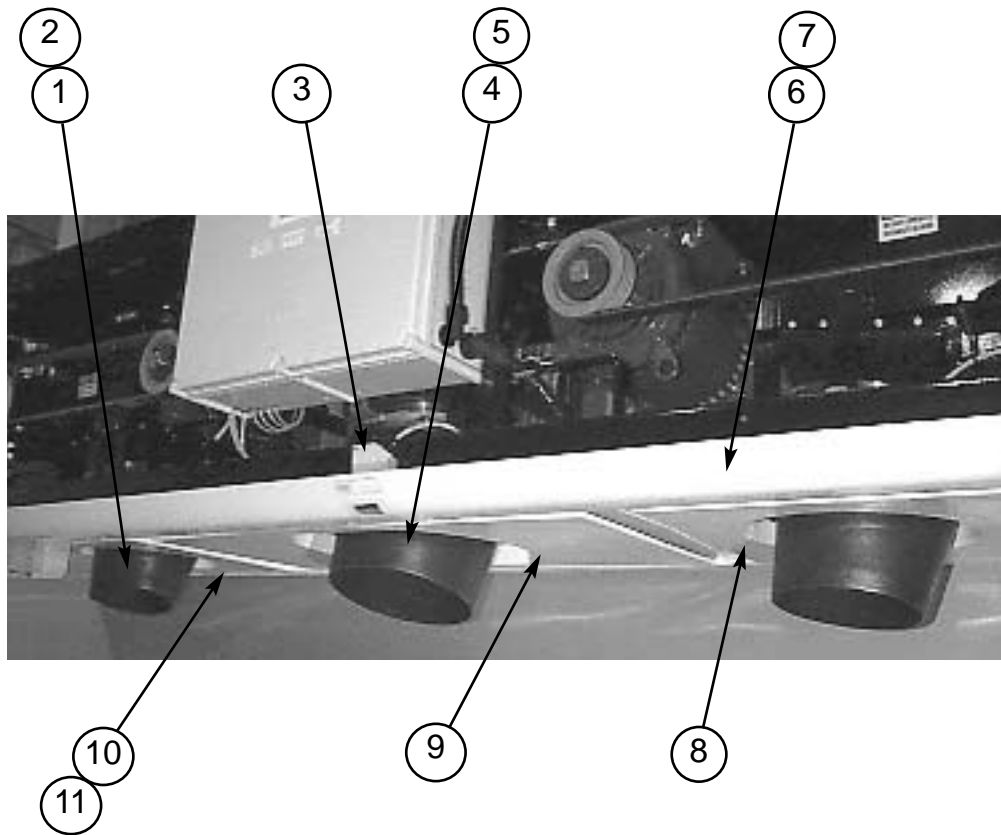
Section 5

DRYER

Laserdri™ Laserwind

~~**LASERWASH® 4000**~~





PART	PART #	DESCRIPTION
1	16300	SIDE FOOTBALL INSERT (INSIDE NOZZLE)
2	16254	SIDE NOZZLES (2)
3	93192	PHOTO SENSOR
4	16301	CENTER FOOTBALL INSERT (INSIDE NOZZLE)
5	16255	CENTER NOZZLE
6	M540113	PANEL BOTTOM (FULL)
7	M540039	PANEL BOTTOM (OLD STYLE)
8	M540038	PANEL BOTTOM (PS)
9	M540037	PANEL BOTTOM (CENTER)
10	M540036	PANEL BOTTOM (DS)
11	M540113	FULL BOTTOM COVER
12	M390065	NOZZLE RING (PASS SIDE)
13	M390133	SUPPORT BAR-HINGE DRYER W/SET COLLAR(NOT SHOWN)
14	92100	GAS CYLINDER (NOT SHOWN)
FIBERGLASS COVERS		
15	M540033	BACK W/ INLET
16	M540040	FRONT
17	M540035	TOP



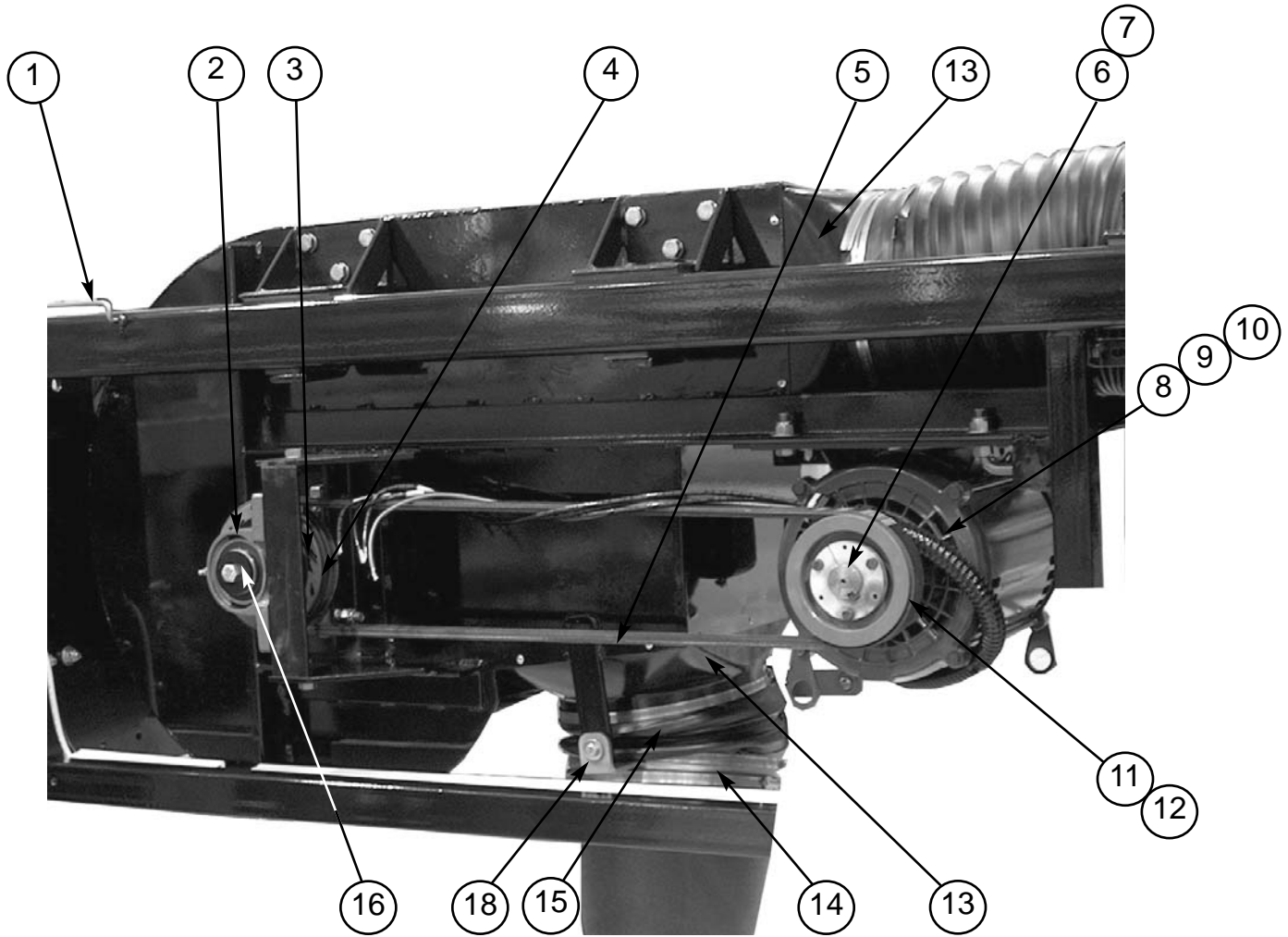
PDQ MANUFACTURING, INC.
De Pere, WI
A DOVER COMPANY

TITLE LASERDRI NOZZLES
AND COVERS

DRAWING:
N/A

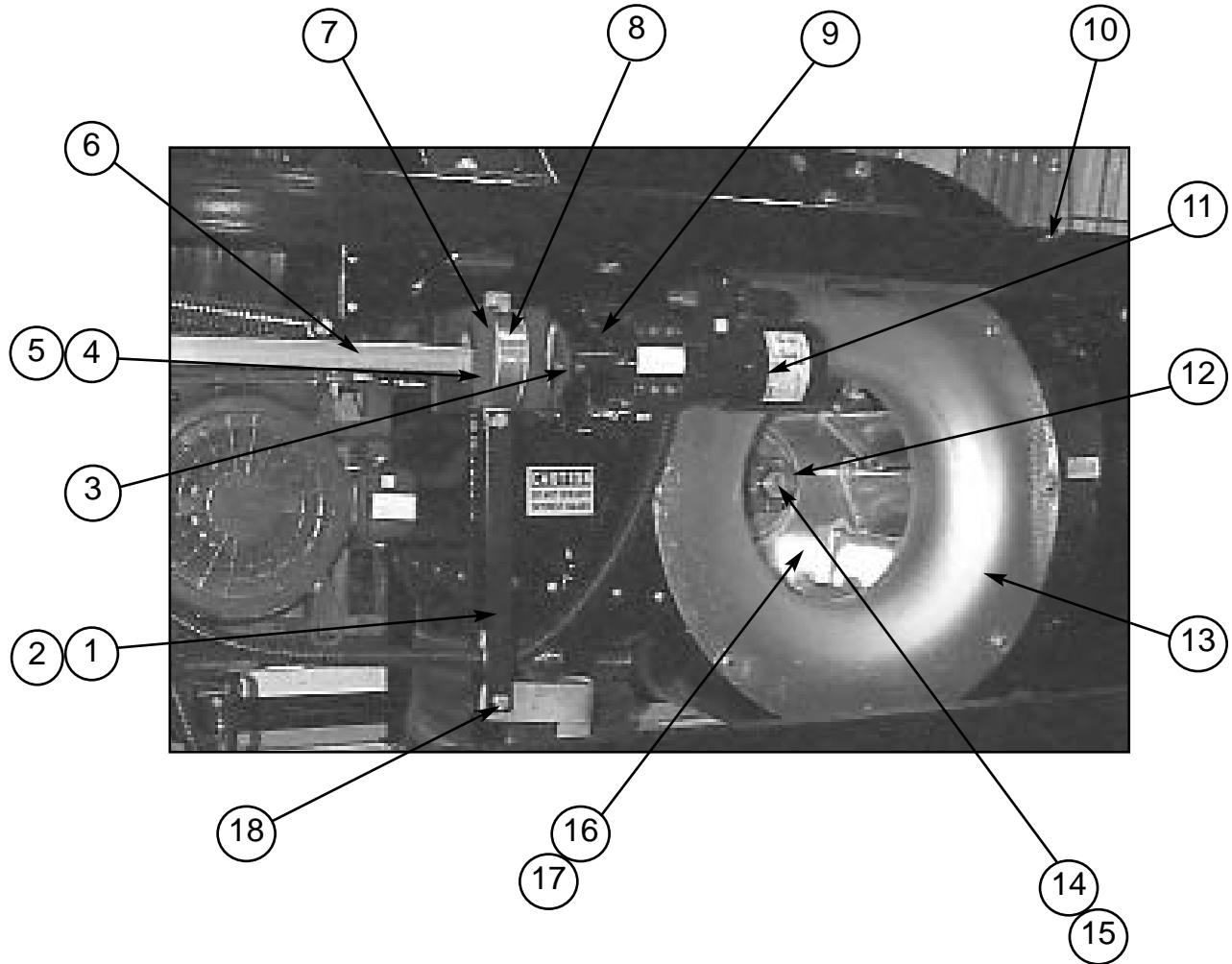
REV:
00

SHEET:
1 of 1



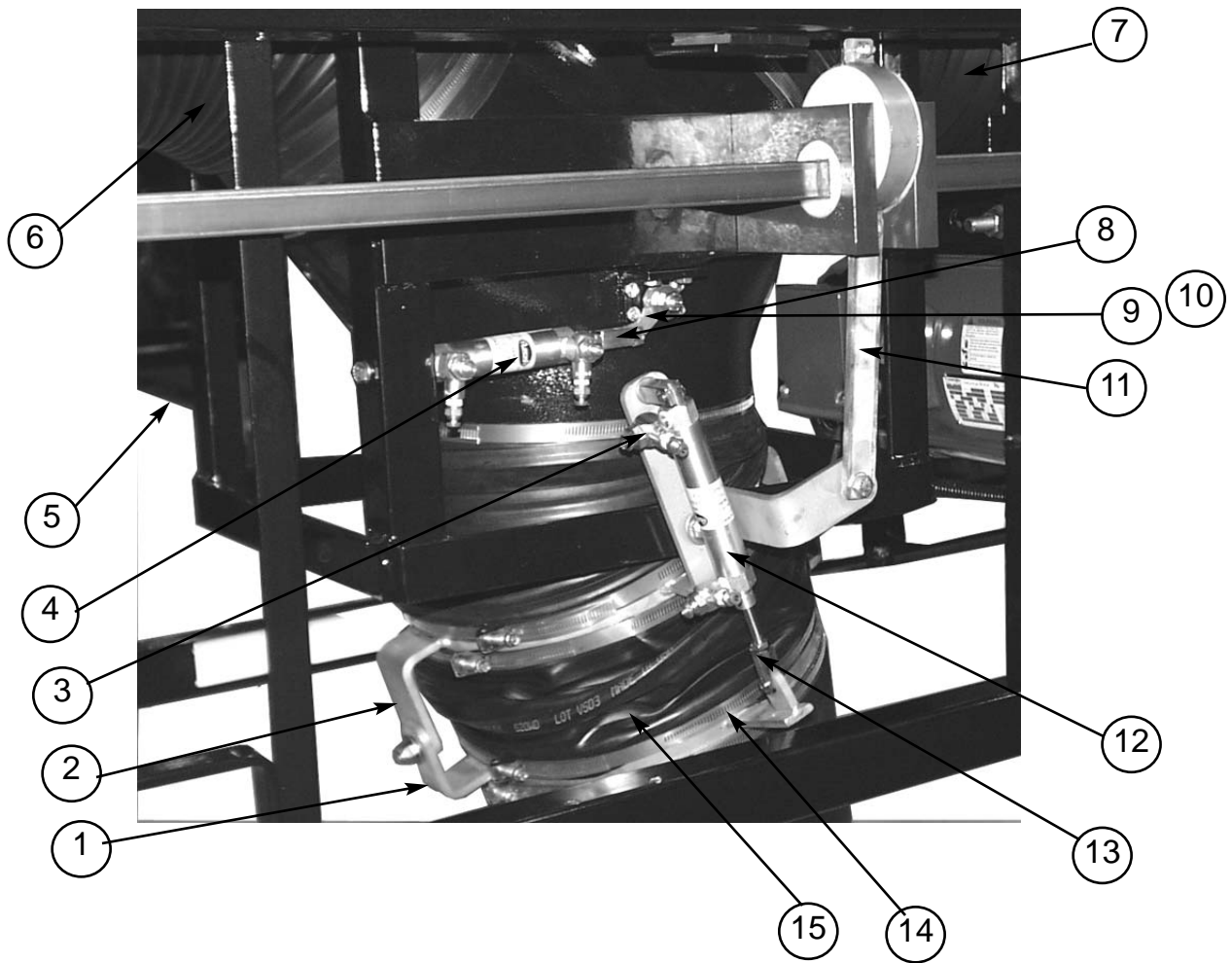
PART	PART #	DESCRIPTION
1	M390133	BAR HINGE
2	10024	PILLOW BLOCK BEARING
3	12525-SDS	1 1/2" SHEAVE BUSHING
4	12026-3SDS	FAN SHEAVES (2)
5	11075-3V3	V BELTS (2)
6	12521-SDS	SHEAVE BUSHING (30HP)
7	12527-SDS	SHEAVE BUSHING (40HP)
8	38027-D	15 HP MOTOR (2)
9	38029-N	20 HP MOTOR-PASS
10	38029-P	20 HP MOTOR-DRIVE
11	12022-33VSDS	MOTOR SHEAVE (30HP)
12	12026-3SDS	MOTOR SHEAVE (40HP)
13	M540031	10x13 DUCT ADAPTERS
14	75126	#188 HOSE CLAMP
15	16200	10" SIDE DUCT (2)
16	M640017	WASHER, FAN BEARING THRUST
17	12525-P2	OBS SHEAVE BUSHING (NOT SHOWN)
18	M390064	NOZZLE RING-DRIVER SIDE
19	M390065	NOZZLE RING-PASS SIDE (NOT SHOWN)

		PDQ MANUFACTURING, INC. De Pere, WI <small>A DOVER COMPANY</small>	
TITLE		LASERDRI DRIVE AND SIDE DUCTS	
DRAWING:	REV:	SHEET:	
N/A	00	1 of 1	



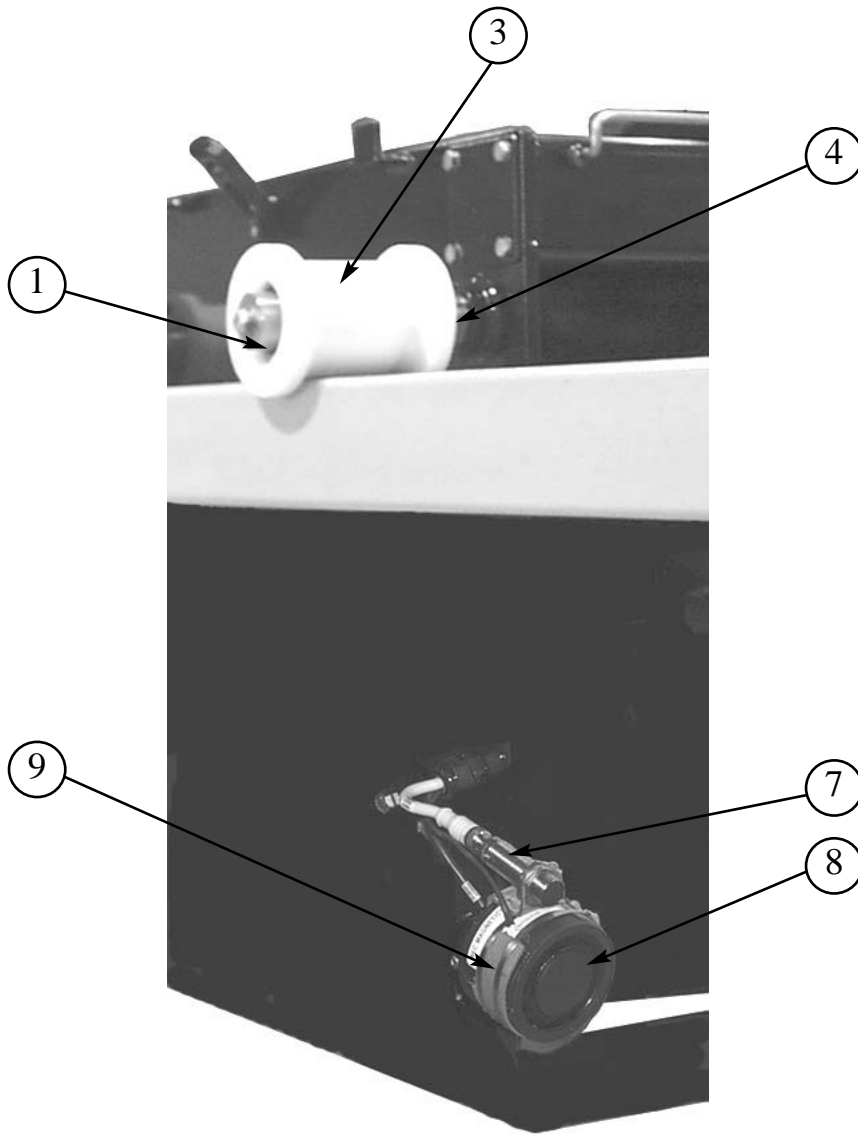
PART	PART #	DESCRIPTION
1	M520267	LINKAGE (SIDE NOZZLE) - FIXED
2	M520123	LINKAGE (SIDE NOZZLE) - MOVEABLE
3	06040002	DRIVE COUPLING
4	M690030	36 DEGREE CAM (CENTER)
5	M690057	12 DEGREE CAM (SIDE)
6	58033-OMS-73.75	1" SQ.x74" SHAFT
7	M660007	CAM BLOCK
8	M500098	SS CLAMP(2)
9	06040002	COUPLING
10	M390133	SUPPORT ROD HINGE
11	38006	1/15 HP MOTOR
12	12525-P2	P2 BUSHING
13	16104	INLET CONE
14	M600042	SHAFT, BLOWER, DRIVE, DRIVER SIDE
15	M600041	SHAFT, BLOWER, DRIVE, PASS SIDE
16	16111	DS BLOWER WHEEL (RIGHT)
17	16112	PS BLOWER WHEEL (LEFT)
18	19038	BEARING SP. LIGHT DUTY
19	KIT 074	COMPLETE PS&DS BLOWER WHEEL REPLACEMENT KIT (NOT SHOWN)

	PDQ MANUFACTURING, INC. De Pere, WI A  DOVER COMPANY	
	TITLE LASERDRI OSCILLATION AND AIR INLET	
DRAWING: N/A	REV: 00	SHEET: 1 of 1



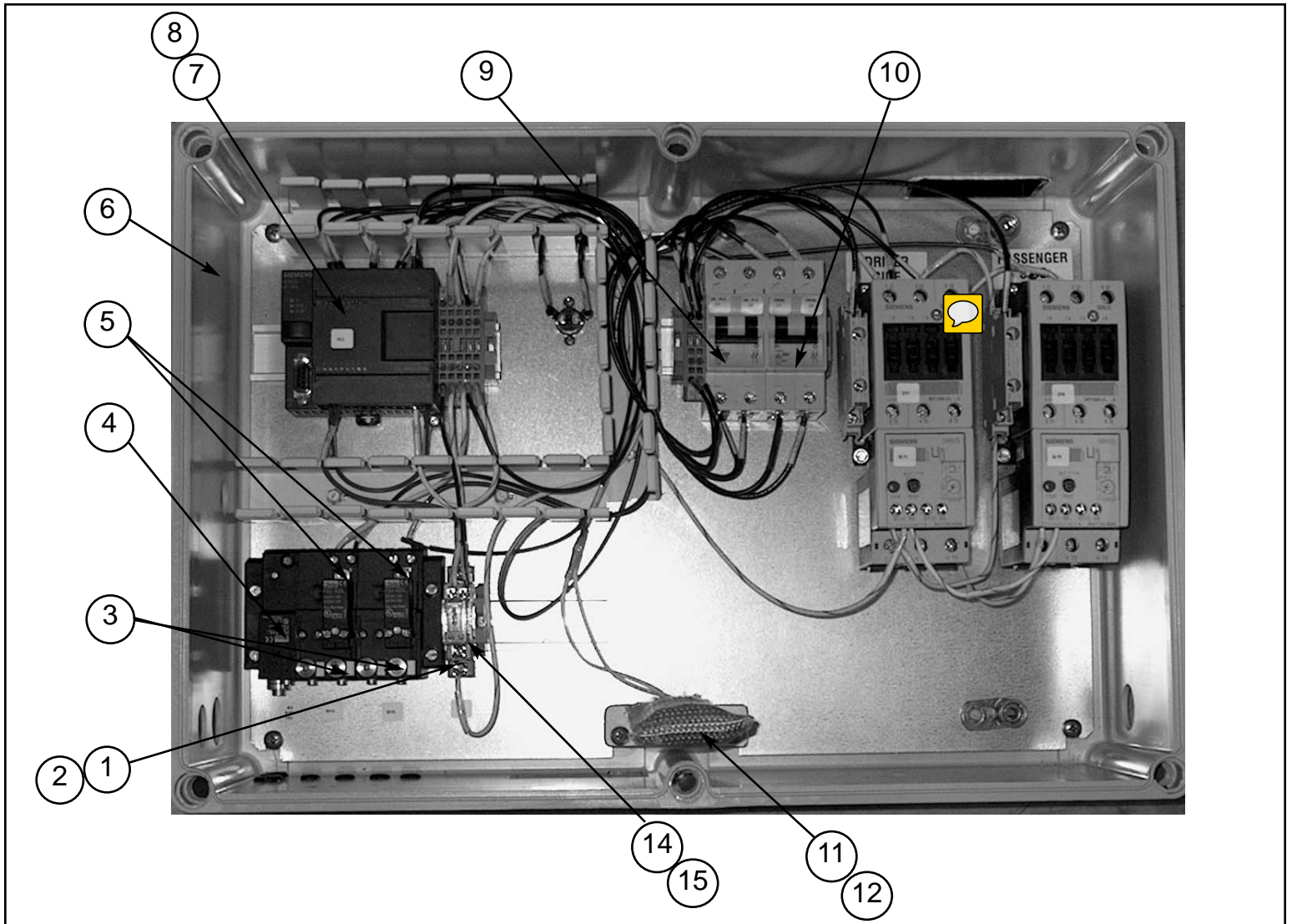
PART	PART #	DESCRIPTION
1	M390067	LOWER RING (CENTER NOZZLE)
2	M390066	UPPER RING
3	21100	FLOW CONTROL VALVE
4	20759	3/4"x2" AIR CYLINDER
5	M540032	DUCT CENTER CONE
6	16204-30	10" RUBBER DUCT- DRIVER SIDE
7	16204-22	10" RUBBER DUCT- PASS SIDE
8	20775	ROD CLEVIS
9	M390039	DAMPER PIVOT ARM
10	M690034	SMALL KEY
11	M520124	BAR, LINKAGE, CENTER NOZZLE
12	20764	3/4"x3 3/8" AIR CYLINDER
13	20776	CLEVIS PIN W/ SNAP RINGS
14	75127	#248 HOSE CLAMP
15	16201	12" RUBBER DUCT (2)
16	93192	DAMPER PROXIMITY EYE (NOT SHOWN)

		PDQ MANUFACTURING, INC. De Pere, WI <small>A DOVER COMPANY</small>
TITLE		LASERDRI CENTER NOZZLE
DRAWING: N/A	REV: 00	SHEET: 1 of 1




PART	PART #	DESCRIPTION
DOCKING DRIVE ROLLERS		
1	M690088	CAP, SHAFT END
2	06010016	BEARING, ROLLER, SST (NOT SHOWN)
3	M620058	ROLLER, DRIVER SIDE, WHITE
4	M600040	SHAFT, ROLLER
5	M620059	ROLLER, PASSENGER SIDE, BLACK (NOT SHOWN)
6	KTL4034	KIT, COMPLETE ROLLER SET (4 ROLLER ASSEMBLIES)
DOCKING MAGNETS AND HEAT		
7	93021	SENSOR, PROX., DOCKING
8	97015	MAGNET, DOCKING
9	38911	HEATER STRIP, MAGNET
10	93026	SENSOR, PROX., HOME FLAG (NOT SHOWN)
11	38907	HEATER STRIP, DOCKING FRAME (NOT SHOWN)
WASH BRIDGE DOCKING COMPONENTS (NOT SHOWN)		
12	M520168	TEARDROP PLATE
13	38909	HEATER STRIP, DRIVER SIDE, TEARDROP
14	38910	HEATER STRIP, PASSENGER SIDE, TEARDROP
15	15017	BUMPER, DOCKING

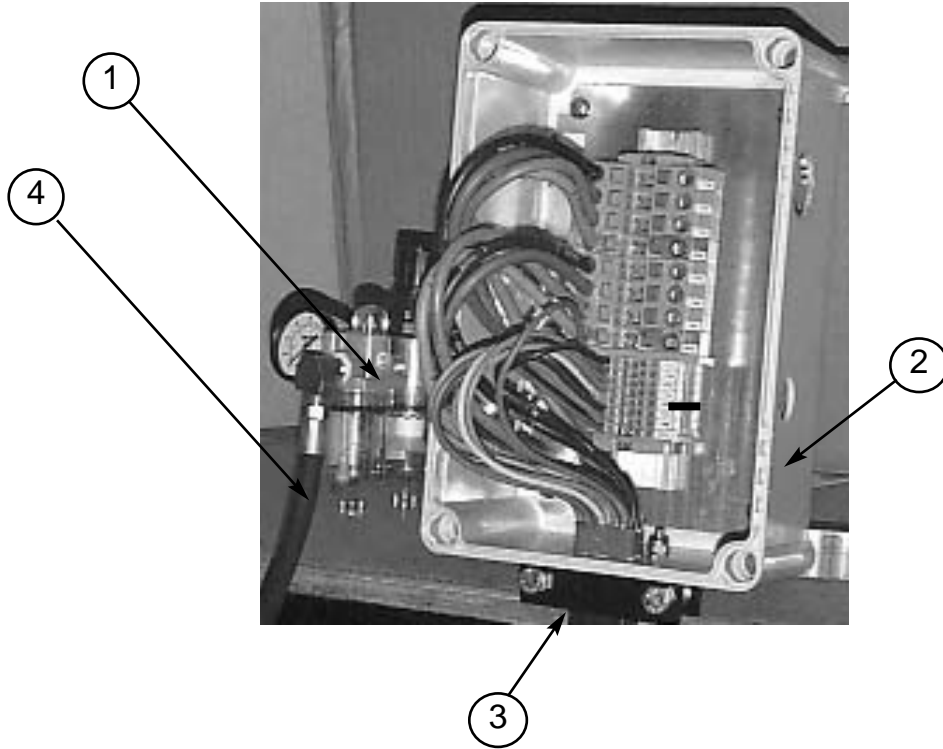
PDQ		PDQ MANUFACTURING, INC. De Pere, WI <small>A DOVER COMPANY</small>	
TITLE LASERWIND DOCKING ROLLER AND MAGNET			
DRAWING: N/A		REV: 00	SHEET: 1 of 1



PART	PART #	DESCRIPTION
1	93120	POWER SUPPLY (LASERDRI)
2	93122	POWER SUPPLY (LASERWIND)
3	22066	VALVE MOD INTERF ELE-PNUE
4	22065	VALVE MOD INTERF. SINGLE
5	22067	VALVE MOD SOL PILOT
6	35100	J19 ENCLOSURE
7	93288-PDRI	SIEMENS LASERDRI PLC
8	93288-PWIND	SIEMENS LASERWIND PLC
9	37662	CIRCUIT BREAKER 2 AMP
10	37661	CIRCUIT BREAKER 1 AMP
11	M580900	HEATER COVER
12	38903	HEATER STRIP
13	38513	TRANSFORMER SEC-VAR PRIME (N/S)
14	32017	RELAY EM SPDT 10AMP 5 BL 24VAC COIL
15	32105	RELAY, SOCKET, 5BL
MOUNTING PARTS (NOT SHOWN)		
16	05040169	SCREW
17	06180033	SPACER
18	71509	FLAT WASHER
19	05020060	HEX-LOCKNUT

208V-15HP		
PART	PART #	DESCRIPTION
20	04020004	POWER SUPPLY (LASERDRI)
21	04010005	POWER SUPPLY (LASERWIND)
22	04030015	VALVE MOD INTERF ELE-PNUE

	PDQ MANUFACTURING, INC. De Pere, WI <small>A DOVER COMPANY</small>		
	TITLE ELECTRICAL BOXES 30 HP LASERDRI		
DRAWING: N/A	REV: 00	SHEET: 1 of 2	



PART	PART #	DESCRIPTION
1	26060	1/4" LUBRICATOR/ REGULATOR
2	35019	11X8X7 ENCLOSURE
3	KIT073	COMPLETE FESTOON KIT
4	43910	HOSEASSYPNEU1/4"x31'1/4NPT M ENDS

		PDQ MANUFACTURING, INC. De Pere, WI <small>A DOVER COMPANY</small>	
TITLE		J25 ELECTRICAL BOX LASERWIND	
DRAWING:	REV:	SHEET:	
N/A	00	2 of 2	



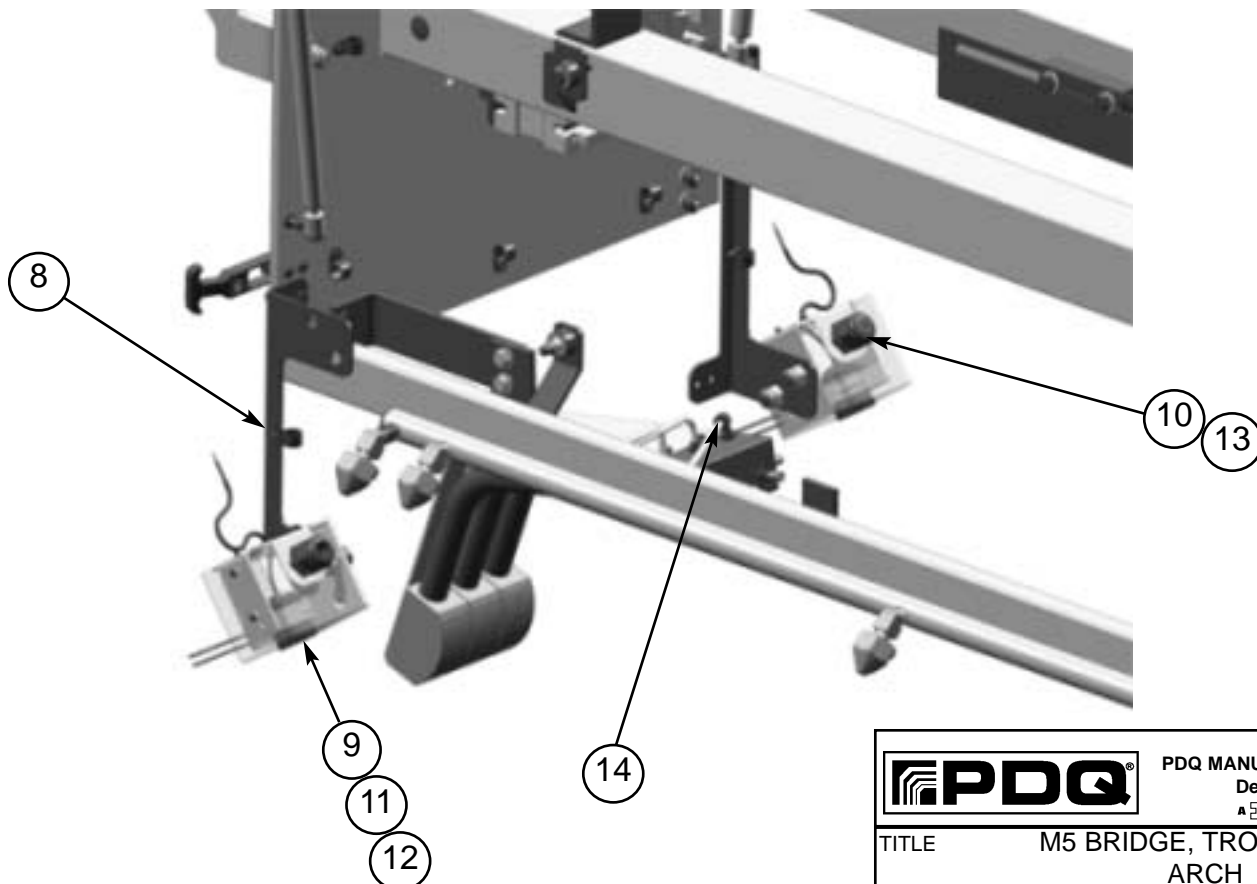
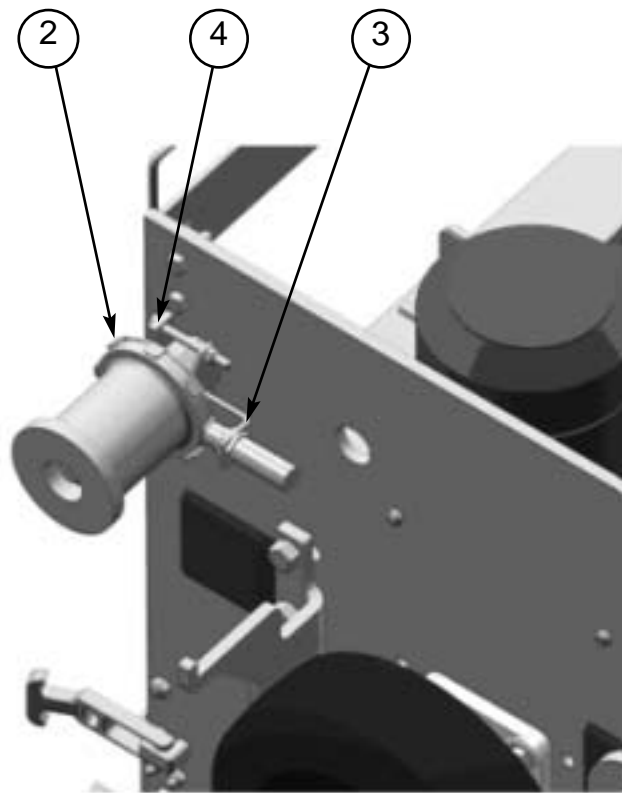
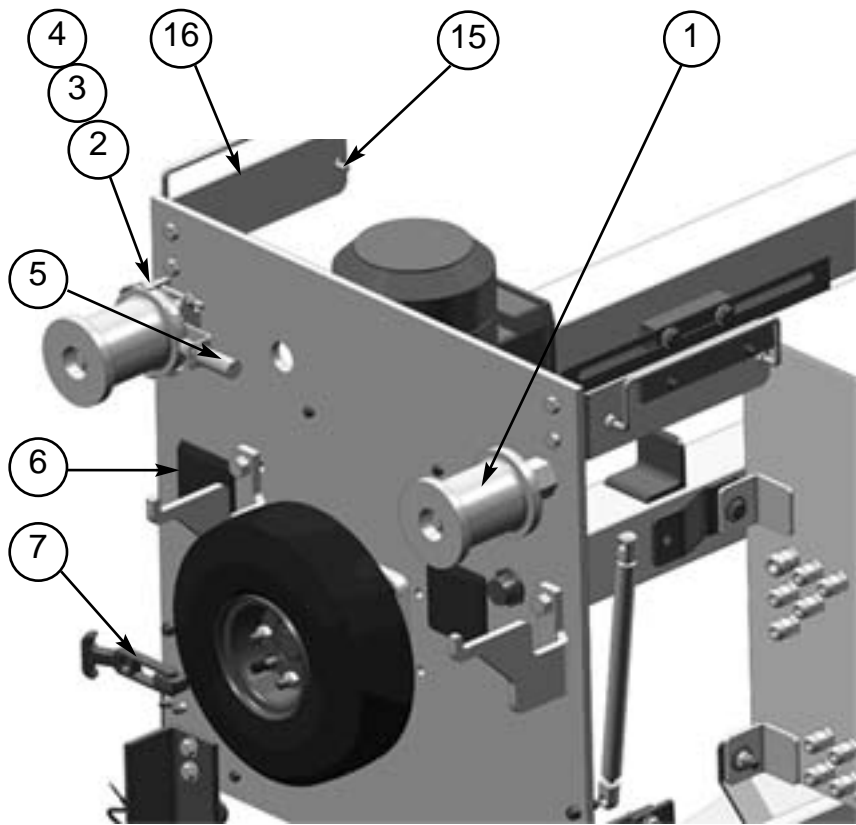
Vehicle Wash Systems

A  DOVER COMPANY

Section 6
M5 SPECIFIC



LASERWASH[®] M5 SPECIFIC



PDQ MANUFACTURING, INC.
De Pere, WI
A DOVER COMPANY

TITLE M5 BRIDGE, TROLLEY, AND ARCH

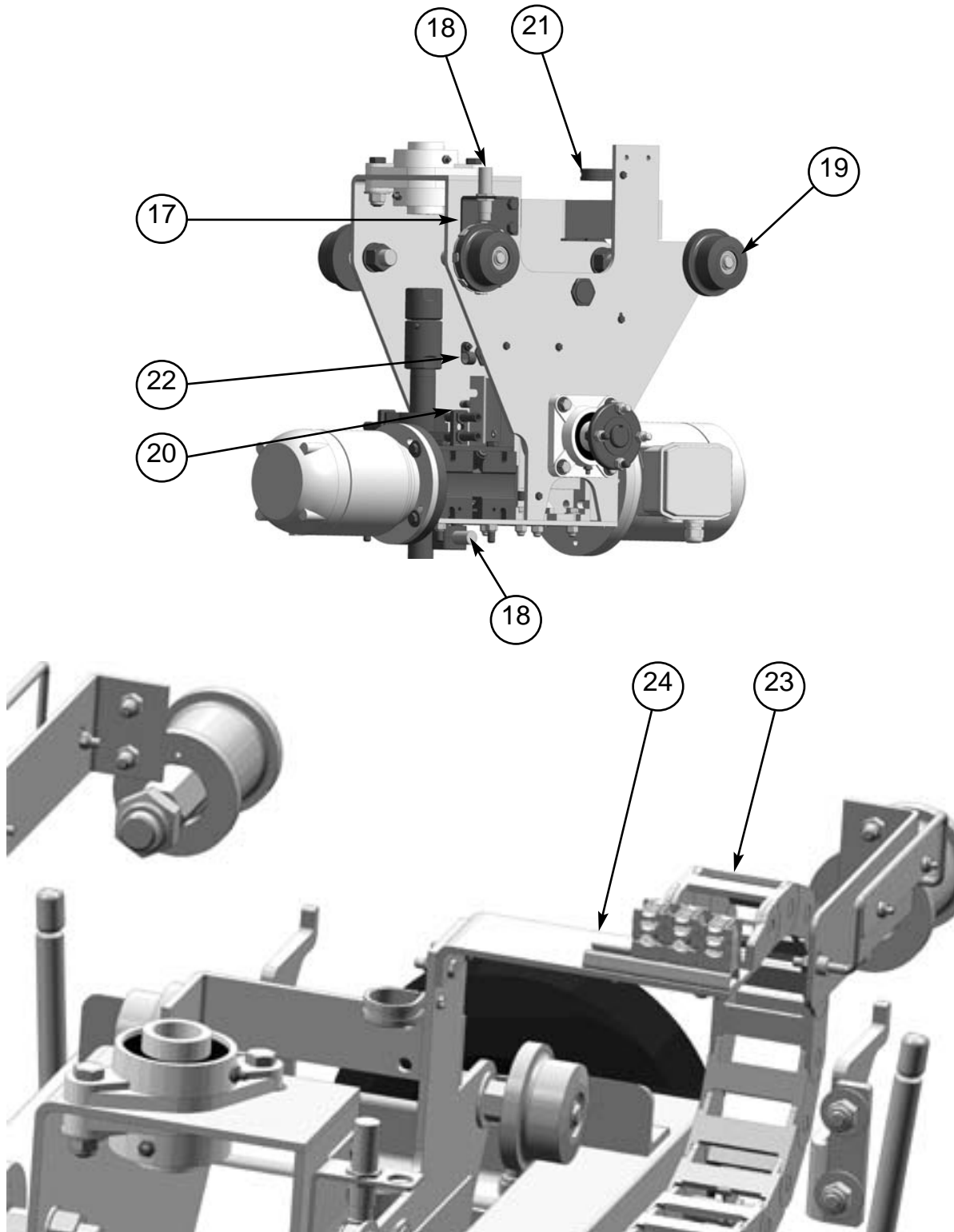
DRAWING:
N/A

REV:
00

SHEET:
1 of 3

PART	PART #	DESCRIPTION
See Table on page 90.		

LASERWASH[®] M5 SPECIFIC



PDQ MANUFACTURING, INC.
De Pere, WI
A DOVER COMPANY

TITLE M5 BRIDGE, TROLLEY,
AND ARCH

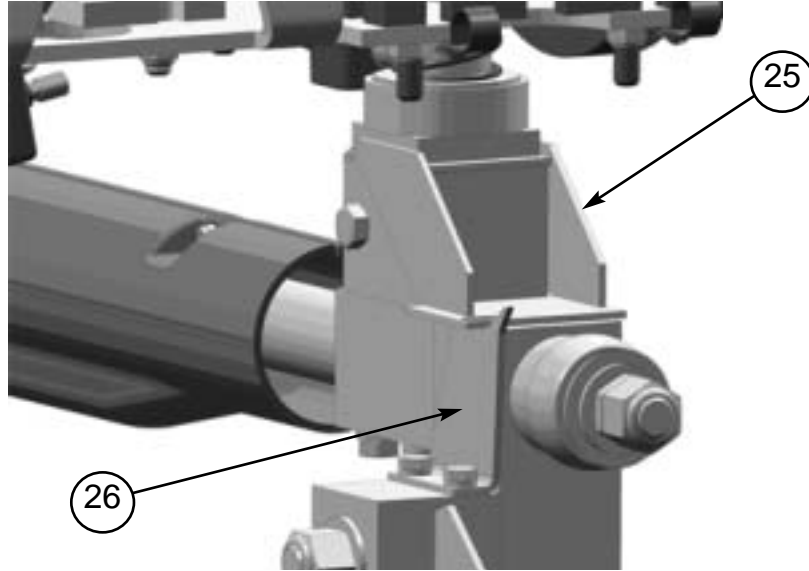
DRAWING:
N/A

REV:
00


SHEET:
2 of 3

PART	PART #	DESCRIPTION
See Table on page 90.		

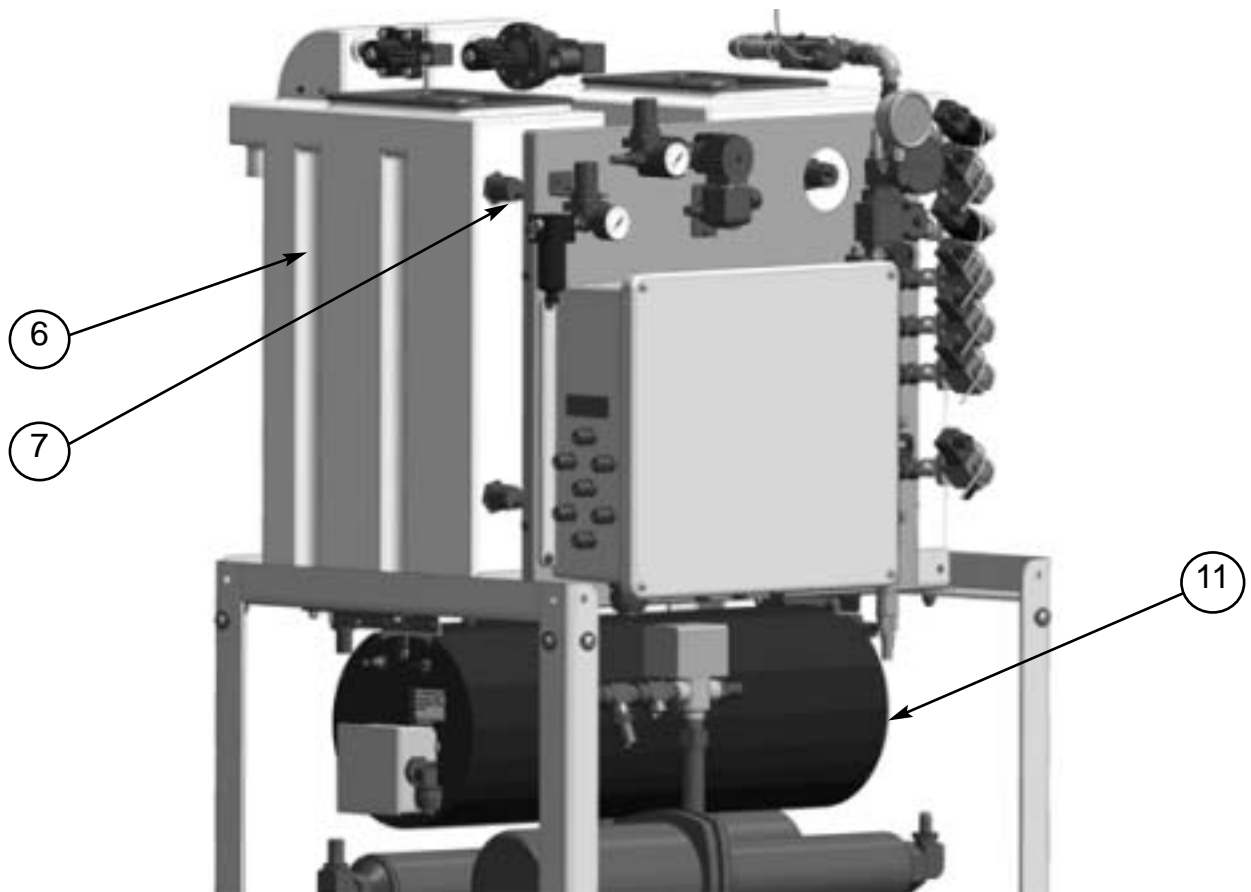
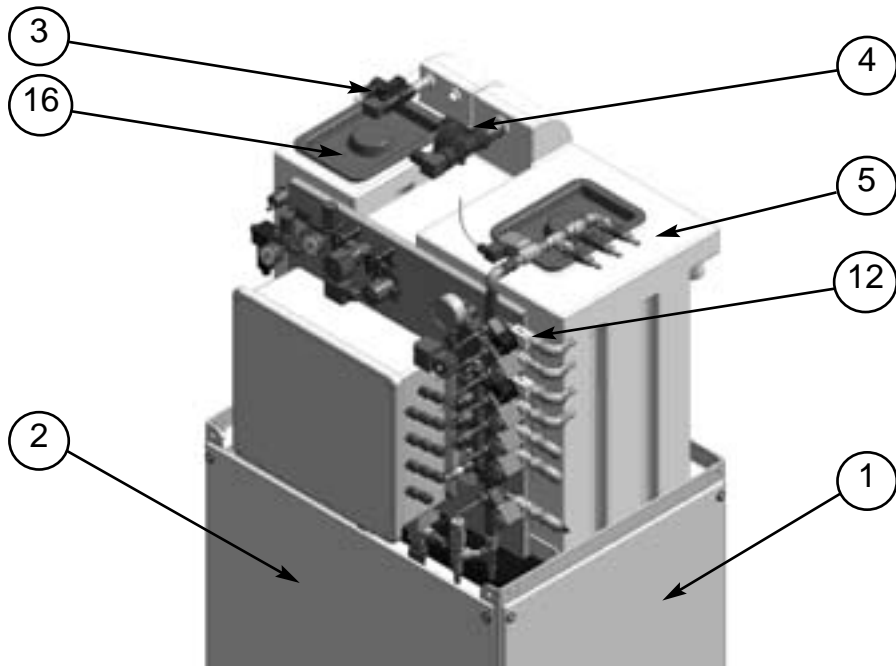
LASERWASH[®] M5 SPECIFIC




PART	PART #	DESCRIPTION
1	11150007	ROLLER,BRIDGE,LWM5
2	06480004	FLAG,BRIDGE-ENCODER,LWM5
3	06140440	BRACKET,BRIDGE-ENCODER,LWM5,BENT
4	06190121	BAR,BRIDGE-ENCODER,LWM5,FLAT
5	93024	PROX,18mm,NPN,UNSHLD,LNG-BRL,12mm-QD
6	06160198	COVER,ENDPLATE,LWM5,3.00x3.00-TUBE
7	02050007	LATCH,DRAW,FLEXIBLE,PLSTC
8	06140451	BRACKET,ULTRASONIC-MOUNT,BRIDGE,LWM5
9	06160205	COVER,ULTRASONIC-MOUNT,LWM5
10	04450018	STRAIN-RELIEF,M25,.315-.591",PLSTC
11	75234	CLAMP,CLIC,#36,PVC
12	04420026	SENSOR,ULTRASONIC,75kHz,15'CBL,1.5"DIA
13	06060013	GROMMET,STRAIN-RELIEF,.125-.188-CABLE
14	03320007	TUBE-FTG,ELBOW,1/4"Tx1/4"STEM,PUSH,PLSTC
15	06140417	BRACKET,TOP,FIBERGLASS,SUPPORT,LWM5
16	06140070	BRACKET,BRIDGE-COVER,HINGE,LWM5
17	06140418	BRACKET,PROX,ARCH-ROTATE,LWM5
18	93024	PROX,18mm,NPN,UNSHLD,LNG-BRL,12mm-QD
19	11150029	ROLLER,TROLLEY,ENCODER-PROX,LWM5
20	06140199	BRACKET,ENCODER-PROX,LWM5
21	05050032	CLAMP,CABLE,CUSHION,1-1/4",SST
22	75238	CLAMP,CABLE,9/16",NYLON,FIXED-DIA
23	06050032	HOUSING,E-CHAIN,TROLLEY,LWM5
24	06140071	BRACKET,E-CHAIN-SUPPORT,TROLLEY
25	06140487	BRACKET,LIFT-PLATE,SPRAY-ARCH,LWM5
26	06140486	BRACKET,SAFETY-ACTUATOR,SPRAY-ARCH,LWM5
27	04420036	SENSOR,ULTRASONIC,75kHz,60'CBL,1.5"DIA (N/S)
28	04080093	CORDSET,3120AWG,FEM,90DEG,236"

	PDQ MANUFACTURING, INC. De Pere, WI A DOVER COMPANY	
	TITLE M5 bRIDGE,TROLLEY, AND ARCH	
DRAWING: N/A	REV: 00	SHEET: 3 of 3

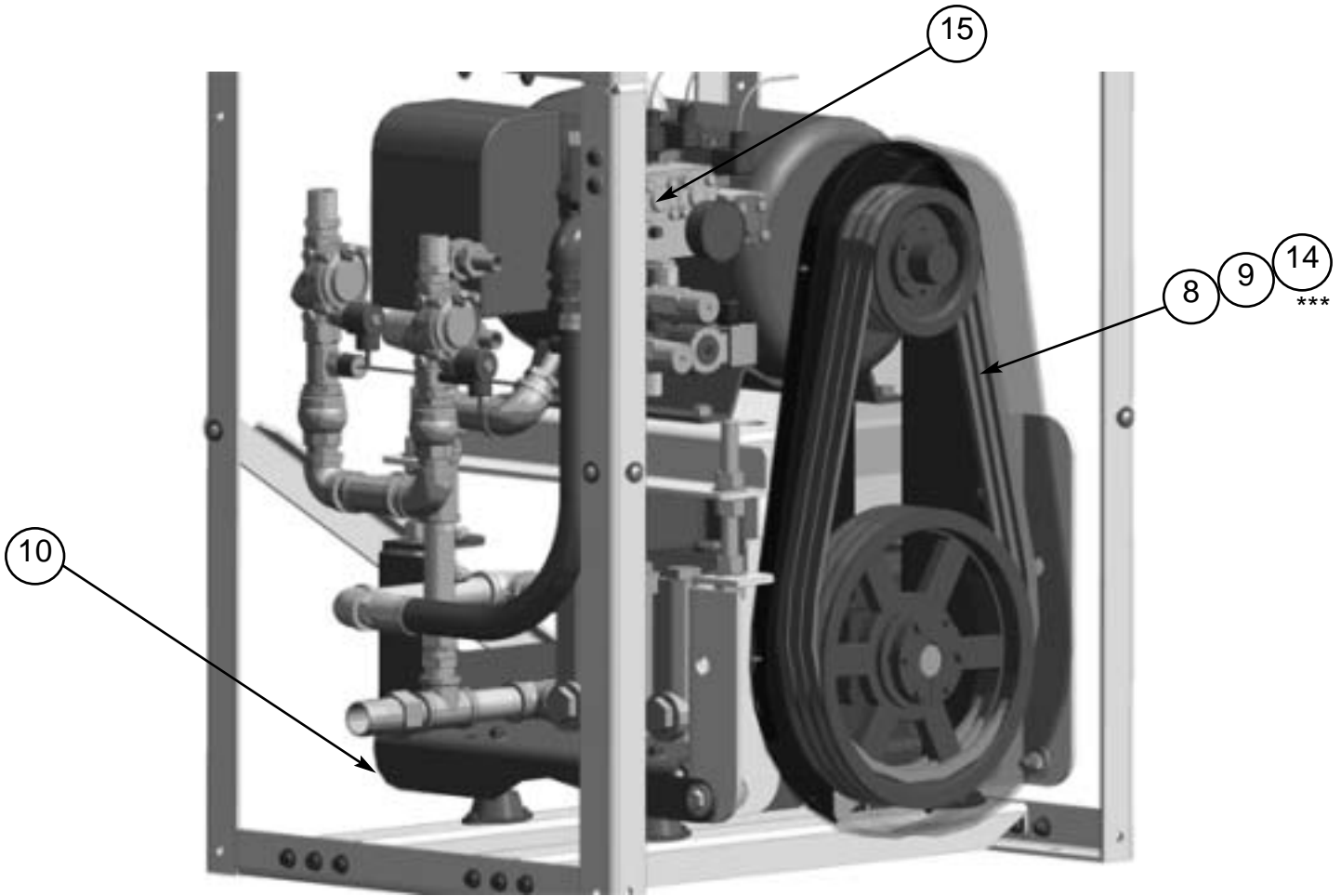
LASERWASH[®] M5 SPECIFIC



		PDQ MANUFACTURING, INC. De Pere, WI <small>A DOVER COMPANY</small>	
TITLE		M5 PUMP EQUIPMENT ROOM	
DRAWING: N/A	REV: 00	SHEET: 1 of 2	

PART	PART #	DESCRIPTION
See Table on page 92.		


LASERWASH[®] M5 SPECIFIC



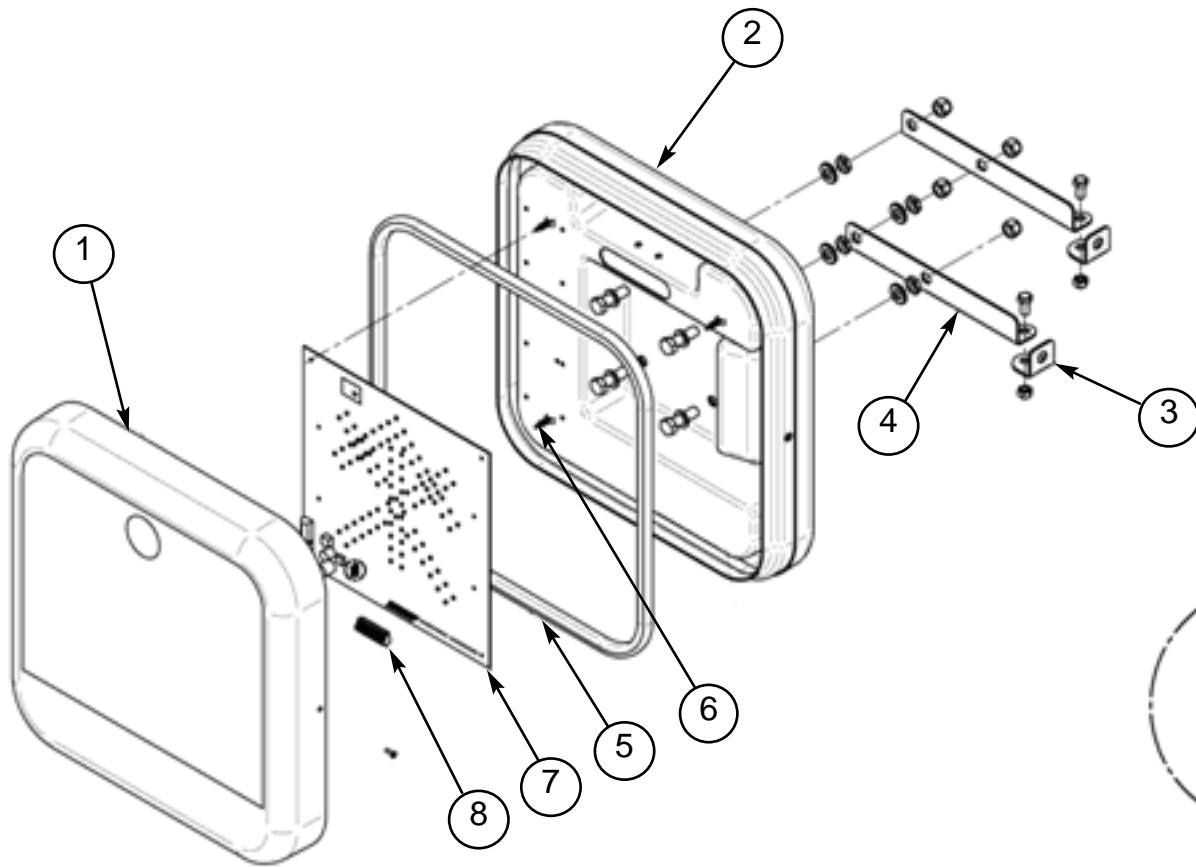
PART	PART #	DESCRIPTION
1	06160231	COVER,SIDE,PUMP-STATION,VERTICAL,M5
2	06160230	COVER,FRONT,PUMP-STATION,VERTICAL,M5
3	03010042	VALVE, .50,NY/GLS,NC,WATER,24VAC
4	03010041	VALVE, 1.00,NY/GLS,NC,WATER,24VAC
5	03390005	TANK,WATER,INLET,PUMP-STATION,HP,M5
6	03390006	TANK,WATER,INLET,PUMP-STATION,LP,M5
7	04420035	SENSOR,WATER-LEVEL,TANK,M5
8	06160175	GUARD,BELT,PUMP-MOTOR,OUTER,M5
9	06160174	GUARD,BELT,PUMP-MOTOR,INNER,M5
10	06060010	MOUNT,DAMPENER,HP-PUMP-ASSY,M5,NPRN
11	04190025	HEATER,TANK,10KW,208VAC,3PH,M5
12	03010121	VALVE, .38,SST,NC, 150PSI, 24VAC,DIN
**13	06020019	BELT,V,BX62,63.8",RBR (N/S)
***14	06020021	BELT,V,BX61,62.8",RBR
15	03010116	VALVE,BLOCK,ARCH-UNDERBODY,HP,SST
16	M540045	COVER,MLD,6.00x9.00,BLK ABS

** For Cat pump use only

*** For General pump use only

		PDQ MANUFACTURING, INC. De Pere, WI A DOVER COMPANY
TITLE		M5 PUMP EQUIPMENT ROOM
DRAWING: N/A	REV: 00	SHEET: 2 of 2

LASERWASH[®] M5 SPECIFIC

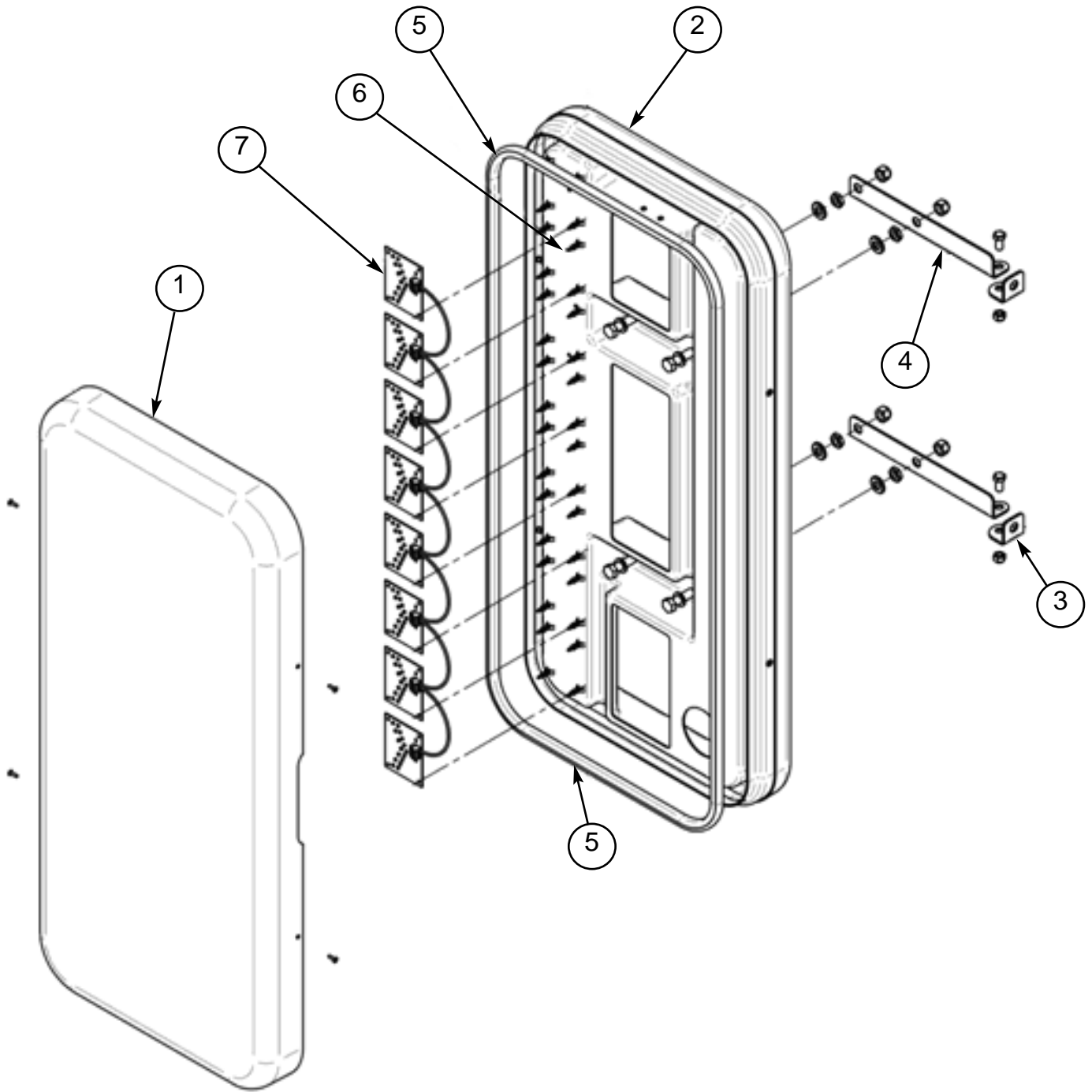


DETAIL A
3:1


PART	PART #	DESCRIPTION
1	06420033	SIGN-FACE,ENTRANCE,M5/G5
2	06240061	PANEL,SIGN,18x18,MOLDED,BACK,ENTRANCE
3	06140449	BRACKET,SIGN,INBAY/CONFIRM,NON-ADJ,WALL
4	06140439	BRACKET,SIGN,INBAY/CONFIRM,NON-ADJ,SIGN
5	06070030	GASKET,HOUSING,ENTRANCE-SIGN,NPRN
6	05130025	STAND-OFF,SNAP-IN,PCB-MT,INBAY/CONFIRM
7	04580031	CIRCUIT-BOARD,ENTRANCE-SIGN,COMPLETE
8	04560016	PLUG,PCB,9PIN,5mm,250V/10A,14-24AWG,GRN

		PDQ MANUFACTURING, INC. De Pere, WI A DOVER COMPANY
TITLE		M5 SIGNS ENTRANCE 11310008
DRAWING: N/A	REV: 00	SHEET: 1 of 3

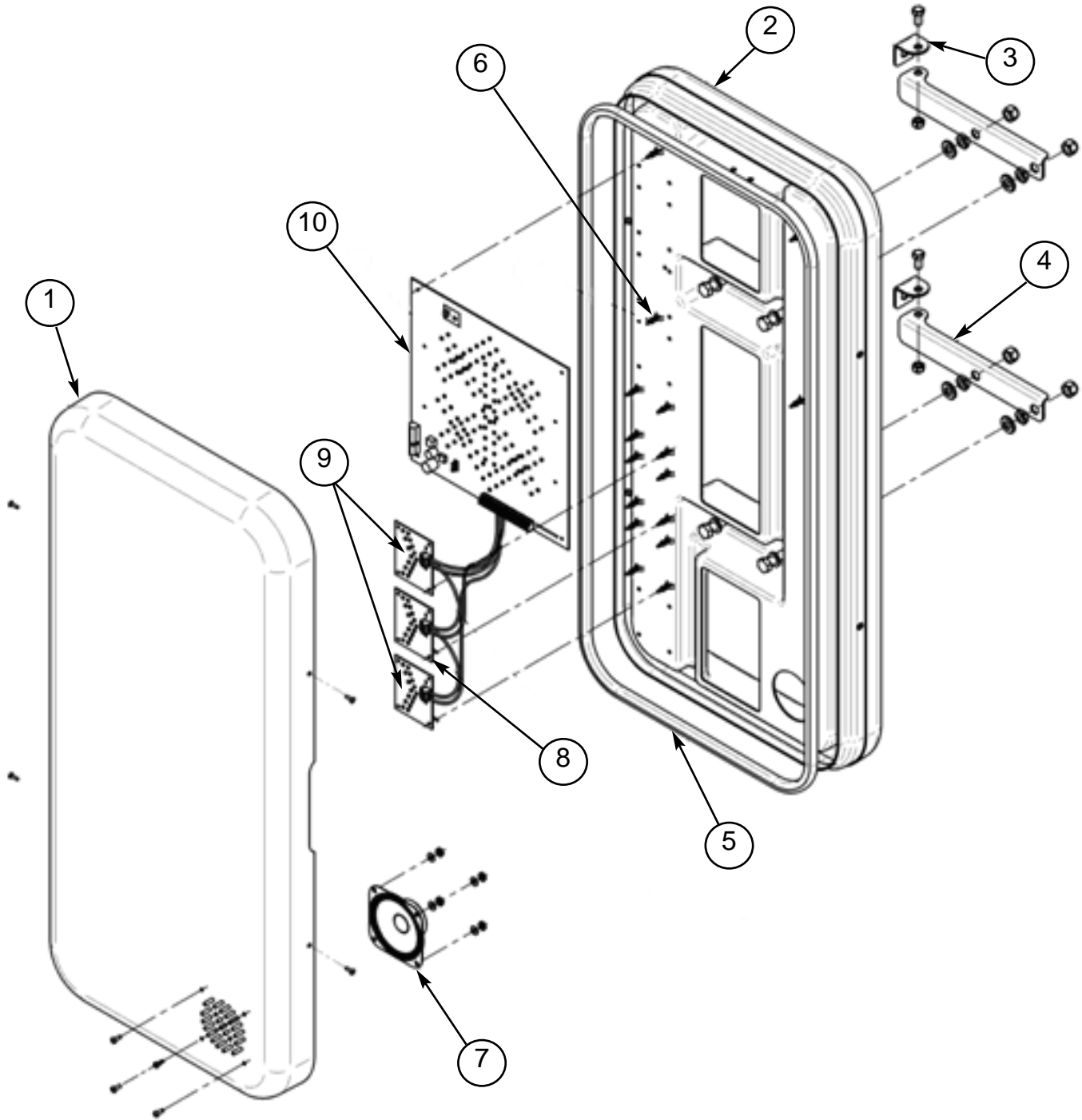
LASERWASH[®] M5 SPECIFIC



PART	PART #	DESCRIPTION
1	06420032	SIGN-FACE,CONFIRMATION,M5/G5
2	06240060	PANEL,SIGN,18x39,MOLDED,BACK,IN-BAY/CONF
3	06140449	BRACKET,SIGN,INBAY/CONFIRM,NON-ADJ,WALL
4	06140439	BRACKET,SIGN,INBAY/CONFIRM,NON-ADJ,WALL
5	06070029	GASKET,HOUSING,IN-BAY-SIGNS,NPRN
6	05130025	STAND-OFF,SNAP-IN,PCB-MT,INBAY/CONFIRM
7	04580027	CIRCUIT-BOARD,LED,CHEVRON,GREEN

	PDQ MANUFACTURING, INC. De Pere, WI A DOVER COMPANY	
	TITLE M5 SIGNS CONFIRMATION 11310009	
DRAWING: N/A	REV: 00	SHEET: 2 of 3

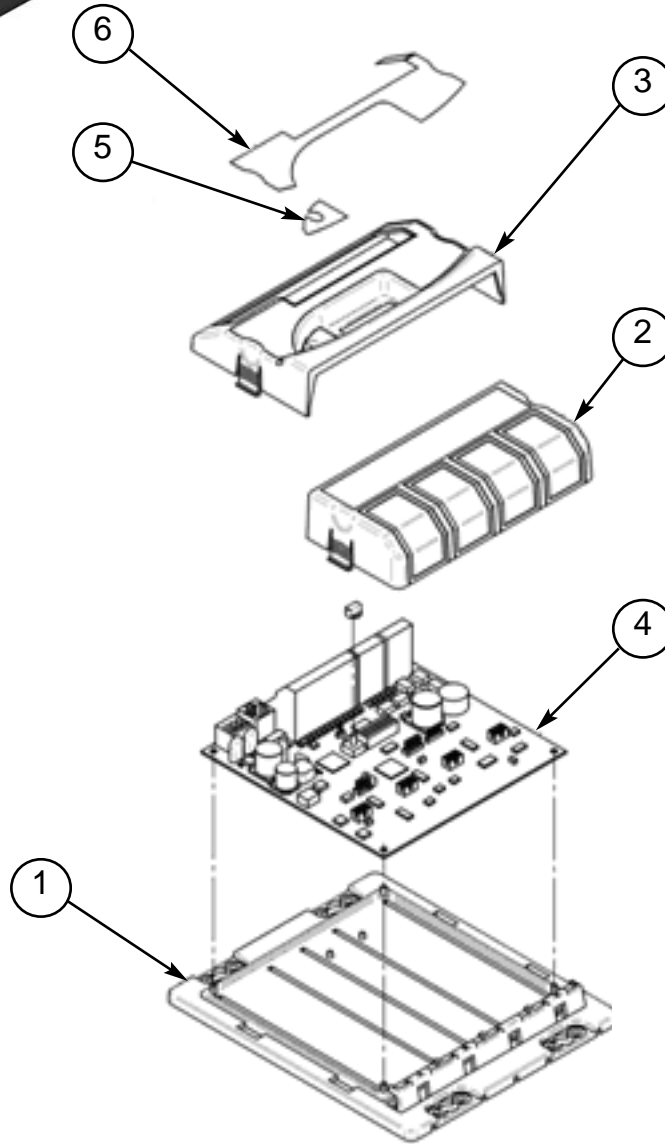
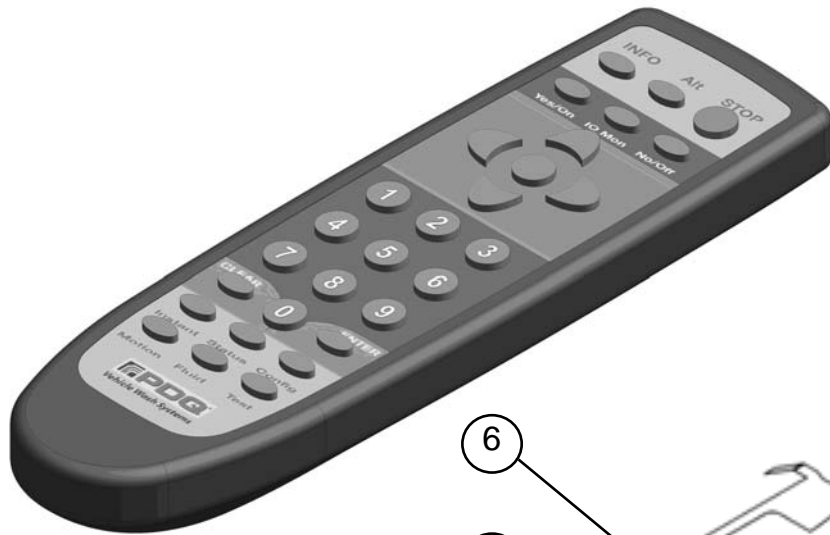
LASERWASH[®] M5 SPECIFIC



PART	PART #	DESCRIPTION
1	06420031	SIGN-FACE,IN-BAY,M5/G5
2	06240060	PANEL,SIGN,18x39,MOLDED,BACK,IN-BAY/CONF
3	06140449	BRACKET,SIGN,INBAY/CONFIRM,NON-ADJ,WALL
4	06140439	BRACKET,SIGN,INBAY/CONFIRM,NON-ADJ,SIGN
5	06070029	GASKET,HOUSING,IN-BAY-SIGNS,NPRN
6	05130025	STAND-OFF,SNAP-IN,PCB-MT,INBAY/CONFIRM
7	04650001	SPEAKER,6W/10W,8-Ohms,102mm,MYLAR-C,RJ12
8	04580028	CIRCUIT-BOARD,LED,CHEVRON,RED
9	04580027	CIRCUIT-BOARD,LED,CHEVRON,GREEN
10	04580021	CIRCUIT-BOARD,COMMON-SMART-SIGN,COMPLETE

		PDQ MANUFACTURING, INC. De Pere, WI A DOVER COMPANY
TITLE		M5 SIGNS SMART SIGN 11310007
DRAWING: N/A	REV: 00	SHEET: 3 of 3

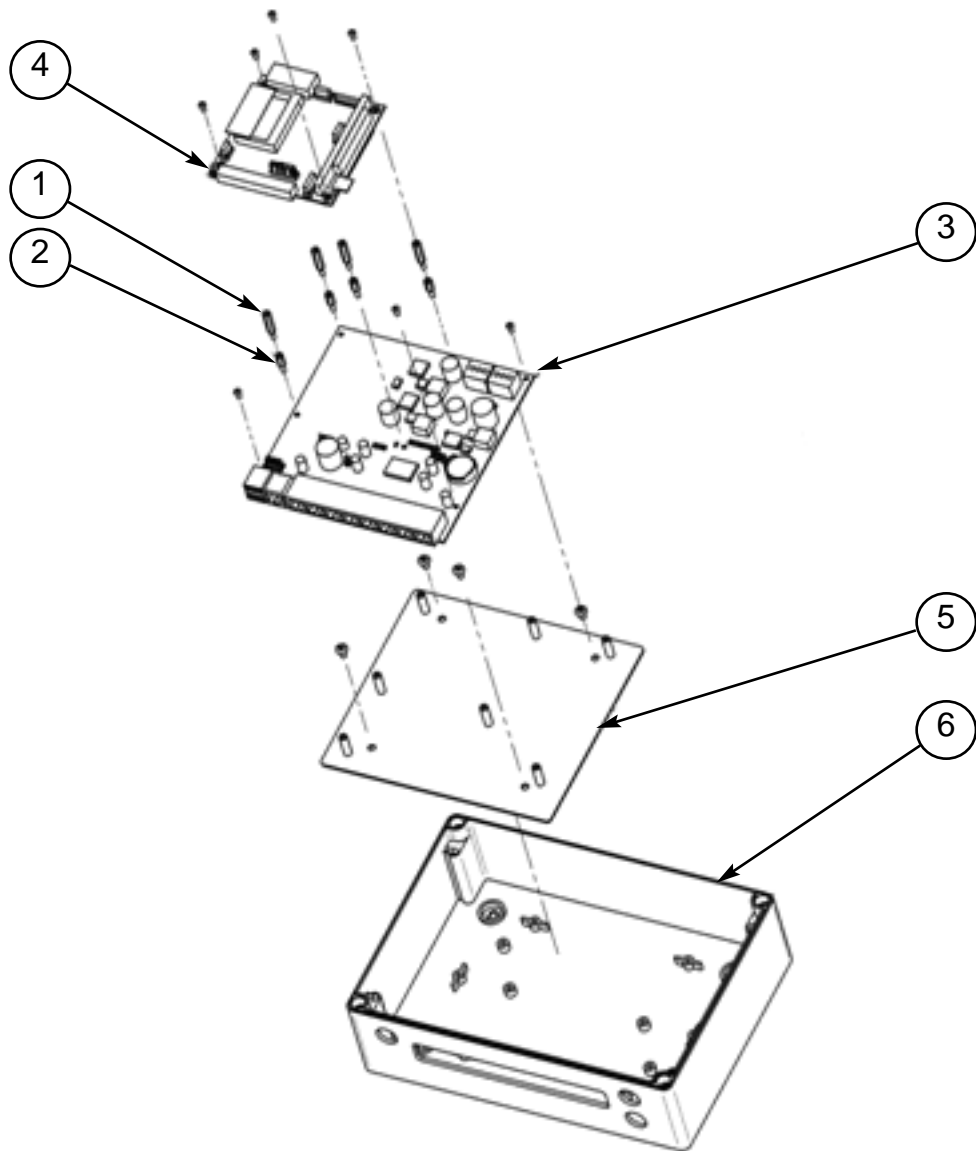
LASERWASH[®] M5 SPECIFIC



PART	PART #	DESCRIPTION
1	06240209	PANEL,IO-BOARD,MOUNT,BACK,NYLON
2	06160177	COVER,IO-BOARD,BOTTOM,NYLON
3	06160176	COVER,IO-BOARD,TOP,NYLON
4	04580015	CIRCUIT-BOARD,FULL-I/O
5	02030076	DECAL,11010052,LED-LIST,IO-BOARD
6	02030075	DECAL,11010052,INPUT-LIST,IO-BOARD

	PDQ MANUFACTURING, INC. De Pere, WI A DOVER COMPANY	
	TITLE M5 CONTROLS, REMOTE CONTROL 04540049, I/O NODE 11010052	
DRAWING: N/A	REV: 00	SHEET: 1 of 2

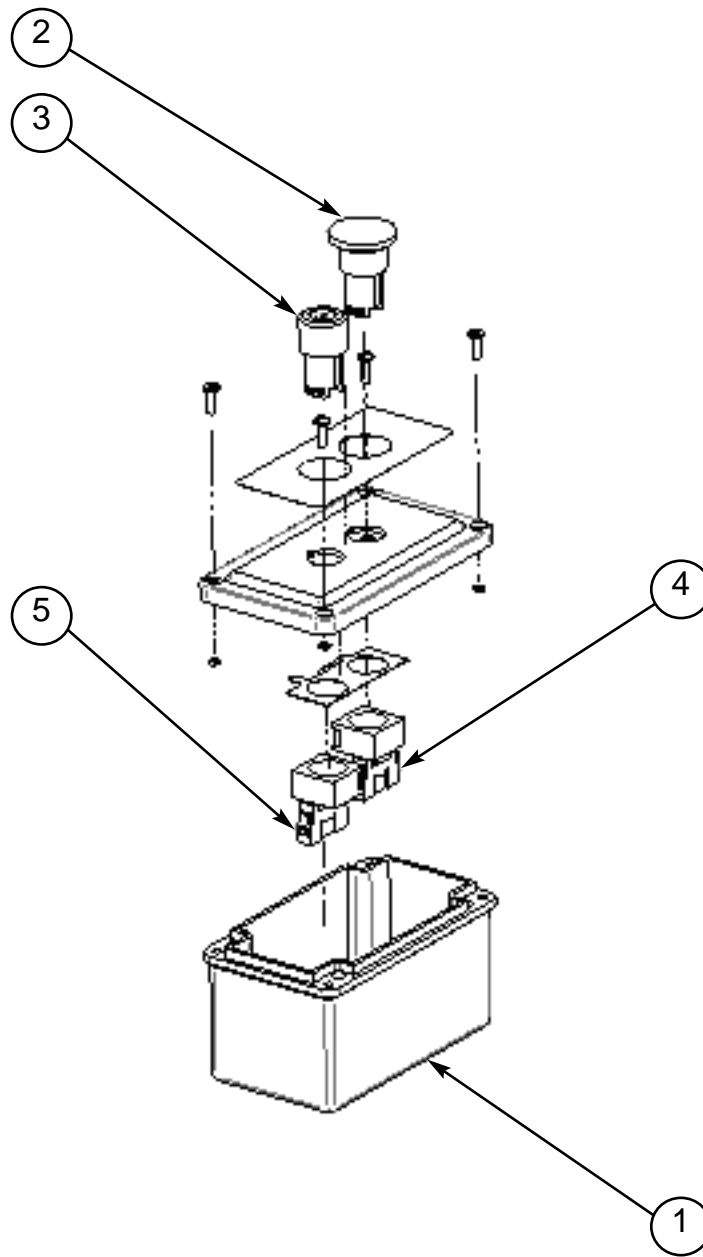
LASERWASH[®] M5 SPECIFIC




PART	PART #	DESCRIPTION
1	05130014	STAND-OFF,5.5mmHEX,M3x20mm,BRS
2	05130013	STAND-OFF,5.5mmHEX,M3x10mm,BRS
3	04580024	CIRCUIT-BOARD,COMM-HUB/POWER-SUPPLY
4	04430014	CONTROLLER,VIPER,SGL-BRD,PROGRAMMED,M5
5	04090053	ENCLOSURE-PANEL,160x180mm,CONDUCT,M5/G5
6	04090050	ENCLOSURE,CONDUCTOR,LWM5/G5

		PDQ MANUFACTURING, INC. De Pere, WI <small>A DOVER COMPANY</small>
TITLE		M5 CONTROLS CONDUCTOR 11010073
DRAWING: N/A	REV: 00	SHEET: 2 of 2

LASERWASH[®] M5 SPECIFIC



PART	PART #	DESCRIPTION
1	04090046	ENCLOSURE,2HOLE,PB,FGL,NEMA4X
2	04040016	SWITCH,PUSH-PULL,22mm,BLACK
3	04040003	SWITCH,KEY,3-POS,22mm,RONIS-LOCK
4	04010004	CONTACT,NC,1P,SEIMENS-SIRIUS-3S-SERIES
5	04010003	CONTACT,NO,1P,SEIMENS-SIRIUS-3S-SERIES
6	02030069	DECAL,11010046,KEY-POSITIONS (N/S)

		PDQ MANUFACTURING, INC. De Pere, WI <small>A DOVER COMPANY</small>
TITLE		M5 MAINTENANCE BOX 11010046
DRAWING: N/A	REV: 00	SHEET: 1 of 1

PICTORIAL PARTS CATALOG - CONFIDENTIAL

LASERWASH[®] M5 SPECIFIC

RECOMMENDED SPARE PARTS KIT

**Note: THIS IS A KIT OF PARTS RECOMMENDED TO BE STOCKED BY
THE DISTRIBUTOR TO SUPPORT LASERWASH M5 MACHINES.**

PART #09100097

ITEM NO.	DESCRIPTION	QTY
04580019	CIRCUIT-BOARD,OUTPUT,5-RELAY,6A	2
04580015	CIRCUIT-BOARD,FULL-I/O	1
04540049	REMOTE-CONTROL,INFRARED,38KHZ,NEC-CODE	3
04420036	SENSOR,ULTRASONIC,75kHz,60'CBL,1.5"DIA	1
04420035	SENSOR,WATER-LEVEL,TANK,M5	1
03010121	VALVE,.38,SST,NC,150PSI,24VAC,DIN	1
06140486	BRACKET,SAFETY-ACTUATOR,SPRAY-ARCH,LWM5	2