

LaserWash 360 Plus



PPC Catalog



Table of Contents

DELUXE LED IN BAY SIGN W AUDIO 09020120	7
FRONT PREP CENTER MANIFOLD 11250259	8
BAY GLOW JUNCTION BOX 11010400	9
8 AND 4 LIGHT LOADIING LIGHT CENTER MOUNTING BRACKET 09020285 284	10
8 AND 4 LIGHT LOADIING LIGHT MOUNTING BRACKET 09020285 284	11
8 AND 4 LIGHT LOADIING CHANNEL MOUNTING BRACKET 09020285 284	12
SIDE RAIL BRACKET ASSEMBLY 09020285 88 84 83	13
6 LIGHT BAY GLOW LATOUT 09020288	14
4 LIGHT BAY GLOW LAYOUT 09020284	15
2 LIGHT BAY GLOW LAYOUT 09020283	16
8 LIGHT BAY GLOW LAYOUT 09020285	17
STANDARD COVER SET CENTER BRIGE COVER HINDGES LATCH 11260166	18
STANDARD COVER SET FRONT COVER 11260166	19
STANDARD COVER SET EXIT COVER 11260166	20
STANDARD COVER SET EXIT SIDE BOTTOM COVERS 11260166	21
STANDARD COVER SET BOTTOM COVERS BETWEEN TROLLEY RAILS 11260166	22
STANDARD COVER SET EXIT END COVER 11260166	23
STANDARD COVER SET ENTRANCE END COVERS 11260166	24
STANDARD COVER SET 11260166	25
3X FOAM MANIFOLD APPLICATOR 11250415	26
3X FOAM MANIFOLD 11250417	27
FOAMING AIR VALVE ASSEMBLY 11030167	28
BIDGE CONTROL BOX CABINET 11010413	29
BIDGE CONTROL BOX WIRING DUCT BACK PLATE 11010413	30
BIDGE CONTROL BOX VFD COMPONENTS 11010413	31
BIDGE CONTROL BOX MOTION POWER 11010413	32
BIDGE CONTROL BOX INTERGRATED DRYER POWER 11010413	33
BIDGE CONTROL BOX LOW VOLTAGE TERMINALS 11010413	34
BIDGE CONTROL BOX IO MODUAL NODE 11010413	35
BIDGE CONTROL BOX LED LIGHT OPTION 11010413	36
BIDGE CONTROL BOX 11010413	37
LOADED ECHAIN 50Hz 11190056	38
LOADED ECHAIN 60Hz 11190053	39
FRAME KIT WALL MOUNT BRACKET TO FRAME MOUNTING 09050055	40
FRAME,KIT,WALL-MOUNT,14-1 16-1 LW20 09050055	41
ADV BAY CONTROL BOX NODE COMPONENTS 11010421	42
ADV BAY CONTROL BOX FIELD LOWER RIGHT FIELD WIRING TERMINALS 11010421	43
ADV BAY CONTROL BOX LOWER RIGHT FIELD WIRING TERMINALS 11010421	44
ADV BAY CONTROL BOX LOWER LEFT TERMINALS 11010421	45
ADV BAY CONTROL BOX UPPER RIGHT TERMINALS 11010421	46
ADV BAY CONTROL BOX CONDUCTOR 11010466 11010421	47
ADV BAY CONTROL BOX BACK PANEL WIRING DUCT 11010421	48
BAY CONTROL BOX CABINET LABELS 11010421	49
RO REJECT WATER FLOAT SWOTCH ASSEMBLIES 09220048	50
RO REJECT WATER REUSE SYSTEM 09220048	51
RO REJECT OVERFLOW 11030147	52
RO REUSE INLET VALVE 11030145	53
RO REJECT WATER BOOSTER PUMP M920080	54

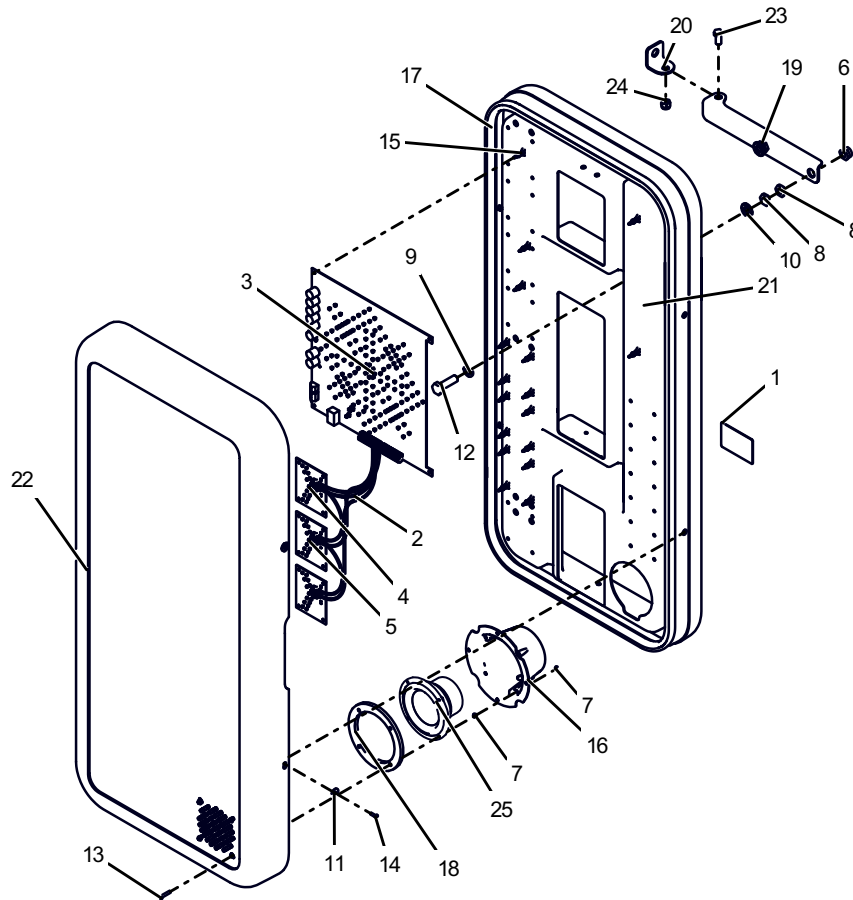
RO REJECT WATER PUMP SYSTEM 09070132	55
REMOTE CONTROL 04540049	56
BOOSTER PUMP CONTROL BOX 460V 60HZ 11010200	57
BOOSTER PUMP CONTROL BOX 11010184	58
BOOSTER PUMP 09070145	59
LIGHTED CLEARANCE SIGN WITHOUT STAND 09020011	60
LIGHTED CLEARANCE SIGN W STAND 09020006	61
NON LIT CLEARANCE SIGN W STAND 09020009	62
NON LIT CLEARANCE SIGN WITHOUT STAND 09020001	63
SIGN STAND KIT 09100113	64
LED ENTRANCE SIGN 09020117	65
ADVANCED LED SERVICE CONFIRMATION SIGN 09020293	66
LED SERVICE CONFIRMATION SIGN 09020116	67
ADVANCED DELUXE LED IN BAY SIGN W AUDIO 09020252	68
BASIC LED IN BAY SIGN W AUDIO 09020115	69
ULTRASONIC SENSOR STAND MOUNTED 09160058	70
ULTRASONIC SENSOR STAND MOUNTED W HEAT 09160059	71
ULTRASONIC SENSOR WALL MOUNTED W HEAT 09160057	72
ULTRASONIC SENSOR WALL MOUNTED 09160056	73
PHOTO EYE SENSOR CONTROL BOX 11010471	74
PRECISION PARKING CONTROL BOX 11010484	75
11410030 LONG VEHICLE LOADING WALL MOUNT W HEAT 09160032	76
STAND MOUNT PHOTOEYE RECEIVER STAND 11410032 09160033	77
STAND MOUNT PHOTOEYE RECIVER 11410032 09160033	78
WALL MOUNT PHOTOEYE TRANSMITTER 11410037 09160031	79
WALL MOUNT PHOTOEYE RECEIVER W HEAT 11410029 09160031	80
PRECISION LOADING TRANSMITTER 09160035	81
PRECISION LOADING TRANSMITTER COVER 09160035 09160036	82
PRECISION LOADING TRANSMITTER W HEAT 09160036	83
PRECISION LOADING RECEIVER COVER 09160035 09160036	84
PRECISION LOADING RECEIVER 09160035	85
PRECISION LOADING RECEIVER W HEAT 09160036	86
PHOTO EYE SENSOR ACTIVATION STAND MOUNT 09160040	87
PHOTOEYE ACTIVATION WALL MOUNT W HEAT 09160039	88
PHOTOEYE ACTIVATION CONTROL BOX 09160038 11010471	89
PHOTOEYE ACTIVATION WALL MOUNT 09160038	90
SIDE COMBO CLEANER TOWER 11130035	91
WHEEL CLEANER FLOOR APPLICATOR 11130036 09080022	92
RUST INHIBITOR ASSEMBLY 09120039	93
INPLACE UNDERBODY MANIFOLD CENTER MANIFOLD 11250299	94
INPLACE UNDERBODY MANIFOLD SIDE MANIFOLDS 11250299	95
INPLACE UNDERBODY MANIFOLD ASSEMBLY 11250299	96
UNDERBODY MANIFOLD WITHOUT SIDE BLASTERS 09120019	97
DELUXE DOOR CONTROLS CONTROL 09230055	98
DELUXE DOOR CONTROLS PHOTO EYE SET 09230055	99
BASIC DOOR CONTROLS CONTROL BOX 09230054	100
BASIC DOOR CONTROLS PHOTO EYE SET 09230054	101
ELECTRIC GATTLING GUN CONTROL BOX 11010162	102
ELECTRIC GATTLING GUN LOOSE PARTS 11400010	103
ELECTRIC GATTLING GUN 11400009	104
STAND MOUNT PHOTOEYE TRANSMITTER W HEAT 11410040	105

WALL MOUNT PHOTOEYE RECEIVER WITH HEAT MOUNTING STAND 11410030	106
STAND MOUNT PHOTOEYE RECEIVER W HEAT 11410032	107
WALL MOUNT PHOTOEYE TRANSMITTER 11410038	108
WALL MOUNT PHOTOEYE RECEIVER WITH HEAT 11410030	109
UNDERBODY DRIVE THRU WITH SIDEBLASTERS 09120018	110
INTERGRATED DRYER INNER PRODUCER ASSEMBLY 11100355	111
INTERGRATED DRYER OUTER PRODUCER ASSEMBLY 11100366	112
INTERGRATED DRYER NON SWINGAIR PRODUCERS 09040216	113
INTERGRATED DRYER SWINGAIR PRODUCERS 09040216	114
INTERGRATED DRYER LINKAGE 11170121	115
INTERGRATED DRYER SWING AIR GEARBOX 09040216	116
INTERGRATED DRYER SWING AIR LINKAGE ASSEMBLY 09040216	117
PUMP STATION COVER DECALS 09070194	118
PUMP STATION ELECTRICAL ENCLOSURE TRANSFORMER 11010415	119
PUMP STATION ELECTRICAL ENCLOSURE LOW VOLTAGE BREAKER 11010415	120
PUMP STATION ELECTRICAL ENCLOSURE PUMP NODE 11010415	121
PUMP STATION ELECTRICAL ENCLOSURE HIGH VOLTAGE TERMINALS 11010415	122
PUMP STATION ELECTRICAL ENCLOSURE MOTOR STARTERS 11010415	123
PUMP STATION ELECTRICAL ENCLOSURE WATER HEATER TANK CONTROLS 11010415	124
PUMP STATION ELECTRICAL ENCLOSURE LOW VOLTAGE TERMINAL STRIP 11010415	125
PUMP STATION ELECTRICAL ENCLOSURE CONTROL BOX 11010415	126
PUMP STATION ELECTRICAL ENCLOSURE GROUNDING LUGS WIRING DUCT 11010415	127
PUMP STATION MOTOR ASSEMBLY 09070194	128
PUMP STATION BASE 11050163	129
PUMP STATION PUMP DRIVE 11050163	130
PUMP STATION PUMP PLUMBING 11050163	131
PUMP STATION LP PUMP 11050165	132
PUMP STATION INLET MANIFOLD HOSES 09070194	133
PUMP STATION INLET MANIFOLDS 09070194	134
PUMP STATION ELECTRICAL ENCLOSURE 11010415	135
PUMP STATION FRESH WATER INLET 09070194	136
PUMP STATION TOP COVER PROP ROD 11260178	137
PUMP STATION TOP COVER HINGE 11260178	138
PUMP STATION FRONT COVER HINGE 11260178	139
PUMP STATION COVERS AND GASKETS 11260178	140
PUMP STATION COVER SUPPORT BRACKETS 11260178	141
PUMP STATION WATER HEATER HOSE ROUTING CONTROL VALVE 09130030	142
PUMP STATION WATER HEATER MOUNTING SENSORS 09130030	143
PUMP STATION RUST INHIBITOR CONTROL VALVE MANIFOLD WEEP 09170151	144
PUMP STATION PUMP STATION INTERGRATED WHEEL CLEANER WEEP 09170182	145
PUMP STATION FOAMING WAX WEEP 09170162	146
PUMP STATION RUST INHIBITOR WEEP 09170151	147
PUMP STATION DETERGENT 2 WEEP MANIFOLD 09170144	148
PUMP STATION OVERGLOW WEEP 09170153	149
PUMP STATION FRONT PREP WEEP 09170150	150
PUMP STATION SUPER SEALANT WEEP 09170148	151
PUMP STATION 3X FOAM WEEP 09170146	152
PUMP STATION DUAL FEED SPOT FREE WEEP MANIFOLD 09170156	153
PUMP STATION BASE WEEP TUBING 09070194	154
PUMP STATION WEEP SUPPLY 09070194	155
PUMP STATION WEEP TO MAIN ARCH WITH UNDERBODY 09170200	156

PUMP STATION BASE DETERGENT WEEP ASSEMBLY 09170200	157
PUMP STATION BASE WEEP MANIFOLD 09170200	158
PUMP STATION RUST INHIBITOR MANIFOLD 11250427	159
PUMP STATION FOAMING WAX MANIFOLD 11250428	160
PUMP STATION 2ND DETERGENT MANIFOLD 11250388	161
PUMP STATION HP SOLUTION 1 AND 2 09170154	162
PUMP STATION OVERGLOW MANIFOLD 11250421	163
PUMP STATION FRONT PREP 11250420	164
PUMP STATION SPOT FREE MANIFOLD 11250279	165
PUMP STATION 3X FOAM MANIFOLD 11250418	166
PUMP STATION PUMP STATION SUPER SEALANT MANIFOLD 11250419	167
PUMP STATION HP MANIFOLD NO UNDERBODY 11030163	168
PUMP STATION HP MANIFOLD WITH UNDERBODY 11030163	169
PUMP STATION LP PUMP MANIFOLD 03220312	170
PUMP STATION HP PUMP DUAL PRESSURE FEEDS 03220315	171
PUMP STATION ON BOARD WATER TANK 09220065	172
ADVANCED CENTER BRIDGE COVER 11260155	173
COVER SUPPORT PROP STANDOFF BRACKET 11260171	174
ADVANCED COVERS 11260171	175
ADVANCED COVERS BOTTOM EXIT COVERS 11260171	176
ADVANCED COVERS BOTTOM COVERS 11260171	177
LASERWASH 360 PLUS BRIDGE ADVANCED COVERS	178
ADVANCED COVERS SIDE COVERS RH 11260171	179
ADVANCED COVERS SIDE COVERS LH 11260171	180
OVERGLOW FOAMER MANIFOLD 11250402	181
OVERGLOW APPLICATOR MANIFOLD 11250383	182
OVERGLOW MANIFOLD 09170194	183
LEFT HAND FRONT PREP MANIFOLD 11250399	184
SUPER SEALANT MANIFOLD 11250397	185
HV RINSE DISTRIBUTION MANIFOLD 11250336	186
LP PRODUCTIVITY RINSE MANIFOLD 11250394	187
LP BRIDGE FOAMER MANIFOLD 11250408	188
FOAMING AIR PANEL 11030137	189
SIDE SPRAY ARCH 11130032	190
TOP ARCH 11130033	191
TROLLEY ECHAIN 06050125	192
TROLLEY FEED MANIFOLD 11250403	193
TROLLEY COVER ASSEMBLY 11220059	194
TROLLEY ECHAIN ASSEMBLY 11220059	195
TROLLEY IDLERS TRUCKS 11220059	196
TROLLEY DRIVE 11220059	197
TROLLEY ARCH SHAFT SENSOR 11220059	198
BRIDGE BELT 11170027	199
BRIDGE DRIVE GEAR BOX 11170027 06280090	200
BRIDGE DRIVE 11170027	201
STOP ULTRASONIC SENSORS 11410028	202
BACKUP ULTRASONIC SENSORS 11410014	203
ULTRASONIC SENSORS 11441114 11410028	204
ENTRANCE SIDE ECHAIN COVER SUPPORTS 11080133	205
EXIT SIDE ECHAIN SUPPORTS 11080133	206
BRIDGE FRAME END BRACKETS 11080133	207

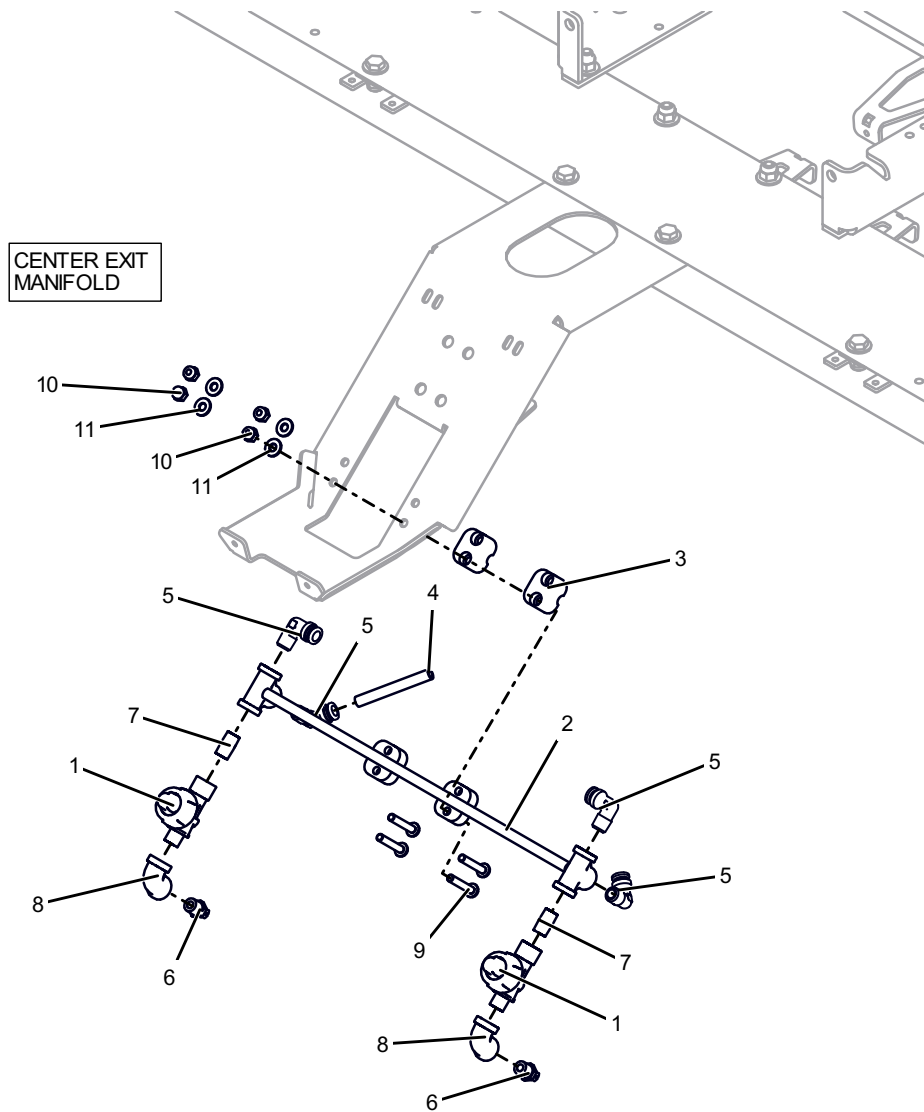
COVER BRACKET 06141769	208
SUPPORT BRACKETS 11080133	209
E CHAIN MOUNTING BRACKET 06141683	210
BRIDGE AND TROLLEY TRUCK ROLLER 11150048	211
BRIDGE FRAME HOSE ROUTINGS 11080133	212
BRIDGE SUPPLY BOX WITH ECHAIN ENCLOSURE 11010425	213
BRIDGE SUPPLY BOX WITH ECHAIN TERMINALS 11010425	214
BRIDGE CONTROL JUNCTION BOX TERMINALS 110101424	215
BRIDGE CONTROL JUNCTION BOX ENCLOSURE 11010424	216
ECHAIN WORKING SUPPORT ROLLERS 11150057	217
ECHAIN WORKING SUPPORT ROLLERS ASSEMBLY 11150057	218
FRAME,KIT,WALL-MOUNT,13-6-14-4 NARROW BAY 09050054	219
FRAME,KIT,WALL-MOUNT,16-1 18-1 WIDE BAY 09050056	220
FRAME END STOPS 06060033	221
FRAME,LEG-MOUNT RAIL END SUPPORTS 09050050	222
FRAME,LEG-MOUNT-6 CENTER LEG AND BEAM 09050050	223
FRAME,LEG-MOUNT-6 END LEG ARCH 09050050	224
FRAME,LEG-MOUNT-6 LEG MOUNT FRAME 09050050	225
FRAME,LEG-MOUNT RAIL 0630190	226
UNDERBODY DRIVE THRU 09120018	227
WALL MOUNT PHOTOEYE TRANSMITTER 11410038 09160031	228
WALL MOUNT PHOTOEYE RECEIVER W HEAT 11410030 09160031	229
STAND MOUNT PHOTOEYE TRANSMITTER W HEAT MOUNTING 11410040 09160034	230
STAND MOUNT PHOTOEYE TRANSMITTER W HEAT ASSEMBLY 11410040 09160034	231
STAND MOUNT PHOTOEYE RECIVER W HEAT ASSEMBLY FLOOR STANDS 11410032 09160034	232
STAND MOUNT PHOTOEYE RECIVER W HEAT ASSEMBLY 11410032 09160034	233
ECHAIN BULKHEAD MANIFOLD RH CONNECTIONS 11250401	234
ECHAIN BULKHEAD MANIFOLD LH CONNECTIONS 11250400	235
ECHAIN BULKHEAD MANIFOLD LH 11250400	236
ECHAIN FRAME END MOUNTING 11190052	237

DELUXE LED IN BAY SIGN W AUDIO 09020120



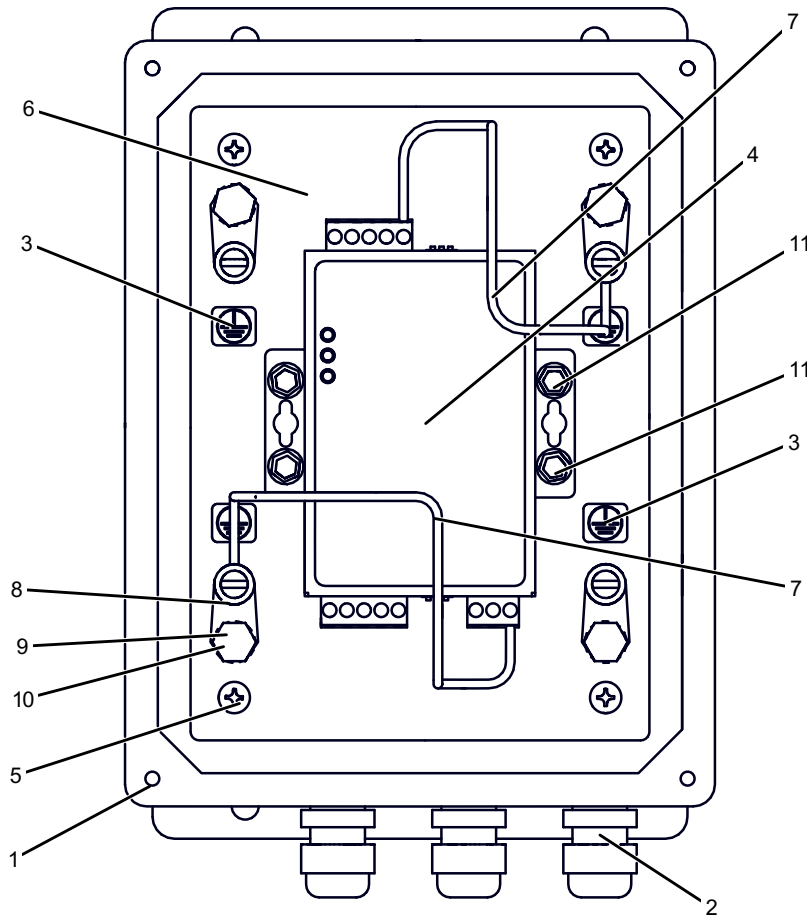
BOM ID	PartNo	Qty	Description
1	02230354	1	LABEL ,ID,SIGN,INBAY,DELUXE
2	04080077	1	HARNESSESIGN,IN-BAY,LVM/5
3	04580021	1	CIRCUIT-BOARD,COMMON-SMART-SIGN,COMPLETE
4	04580027	2	CIRCUIT-BOARD,LED,CHEVRON,GREEN
5	04580028	1	CIRCUIT-BOARD,LED,CHEVRON,RED
6	05020008	4	NUT,M12,HEXLOCK,SST
7	05020010	8	NUT,M4,HEX,SST
8	05020042	8	NUT,M12,HEX,JAM,SST
9	05030015	4	WASHER,M12,LOCK,SPLIT,SST
10	05030049	4	WASHER,1/2x1.00x11,SEALING,SST,NEOPR
11	05030079	4	WASHER,#6x.625",FENDER,SST
12	05040031	4	SCREW,M12x40mm,HHCS,SST
13	05040109	4	SCREW,M4x22mm,PPHMS,SST
14	05040414	4	SCREW,#6-32X.50,SRHMS,AL
15	05130025	17	STAND-OFF,SNAP-IN,PCB-MT,INBAY/CONFIRM
16	06050117	1	HOUSING,SPEAKER,PLSTC,COMMON
17	06070029	1	GASKET,HOUSING,IN-BAY-SIGNS,NPRN
18	06070053	1	GASKET,SPEAKER-ADAPTER,SBR
19	06140439	2	BRACKET,SIGN,INBAY/CONFIRM,NON-ADJ,SIGN
20	06140449	2	BRACKET,SIGN,INBAY/CONFIRM,NON-ADJ,WALL
21	06240060	1	PANEL,SIGN,18x39,MOLDED,BACK,IN-BAY/CONF
22	06420129	1	SIGN-FACE,IN-BAY,DELUXE,LASERWASH
23	70178-HCS	2	SCREW,3/8-16x.75,HHCS,SST
24	71013-NCS	2	NUT,3/8-16,HEXLOCK,SST
25	04550005	1	SPEAKER-W/CABLE,INBAY-SIGN

FRONT PREP CENTER MANIFOLD 11250259



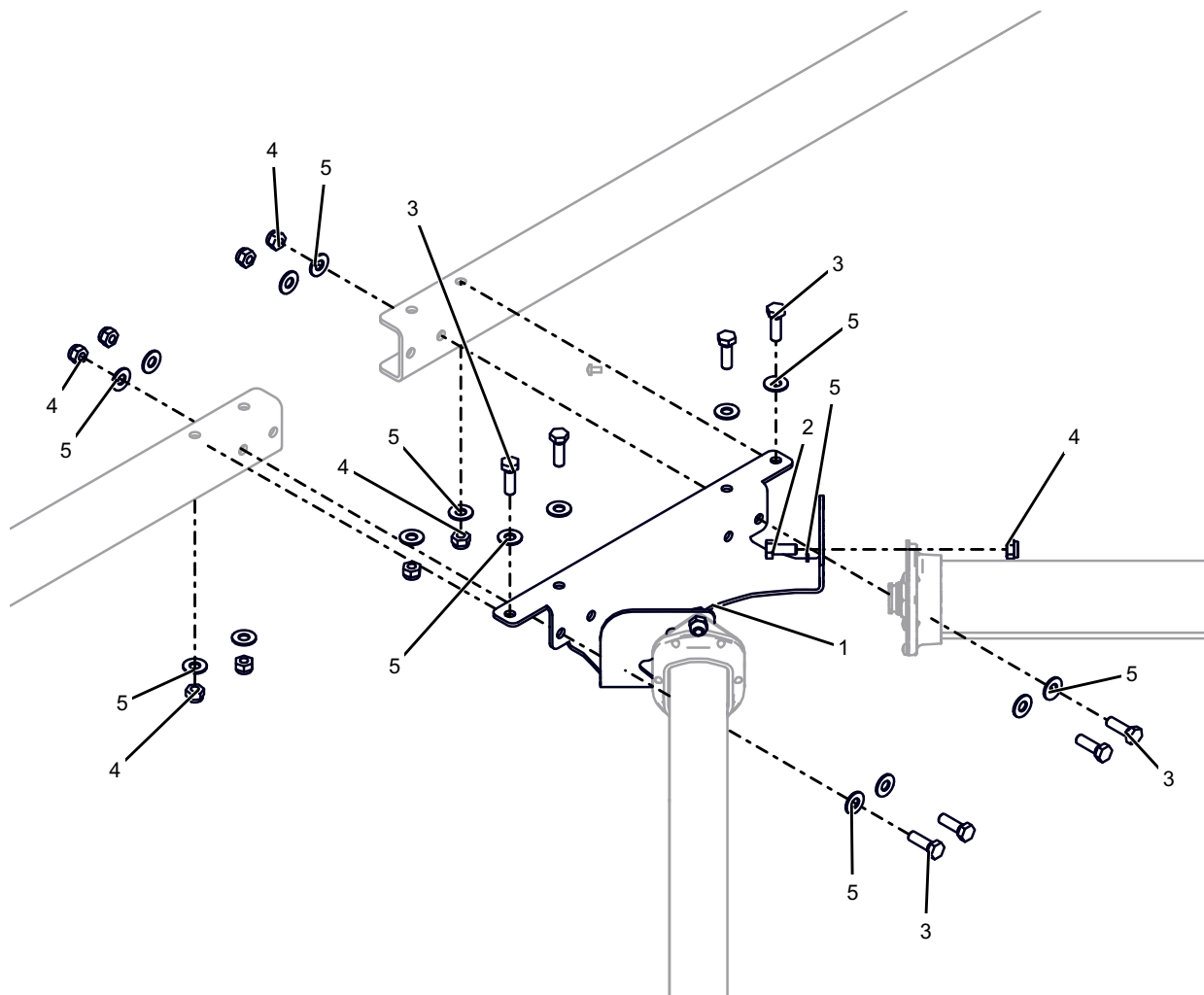
BOM ID	PartNo	Qty	Description
1	03010112	2	VALVE,CHECK,DIAPH,1/4"Mx1/4"F,4PSI
2	03220289	1	MANIFOLD,FRONT-PREP,CENTER,WELD,ICON
3	05050043	2	CLAMP,TUBE,.375,PP,STANDARD
4	01120007	1	TUBING,3/8ODx.06W,230psi@70F,LLDPE,BLUE
5	03040060	4	ELBOW,1/4NPT,3/8T,PUSH-LOCK,BRS
6	64158-4M	2	NOZZLE,FAN,4006,1/4"NPT,SST
7	67011-4S	2	NIPPLE,1/4NPTxCLOSE,SC40,SST
8	67402-4S	2	ELBOW,1/4NPT,90DEG,SC40,SST,SP114
9	70112-SCS	4	SCREW,1/4-20x1.50,PPHMS,SST
10	71011-NCS	4	NUT,1/4-20,HEX,LOCK,SST
11	71511-FS	4	WASHER,1/4,FLAT,SST

BAY GLOW JUNCTION BOX 11010400



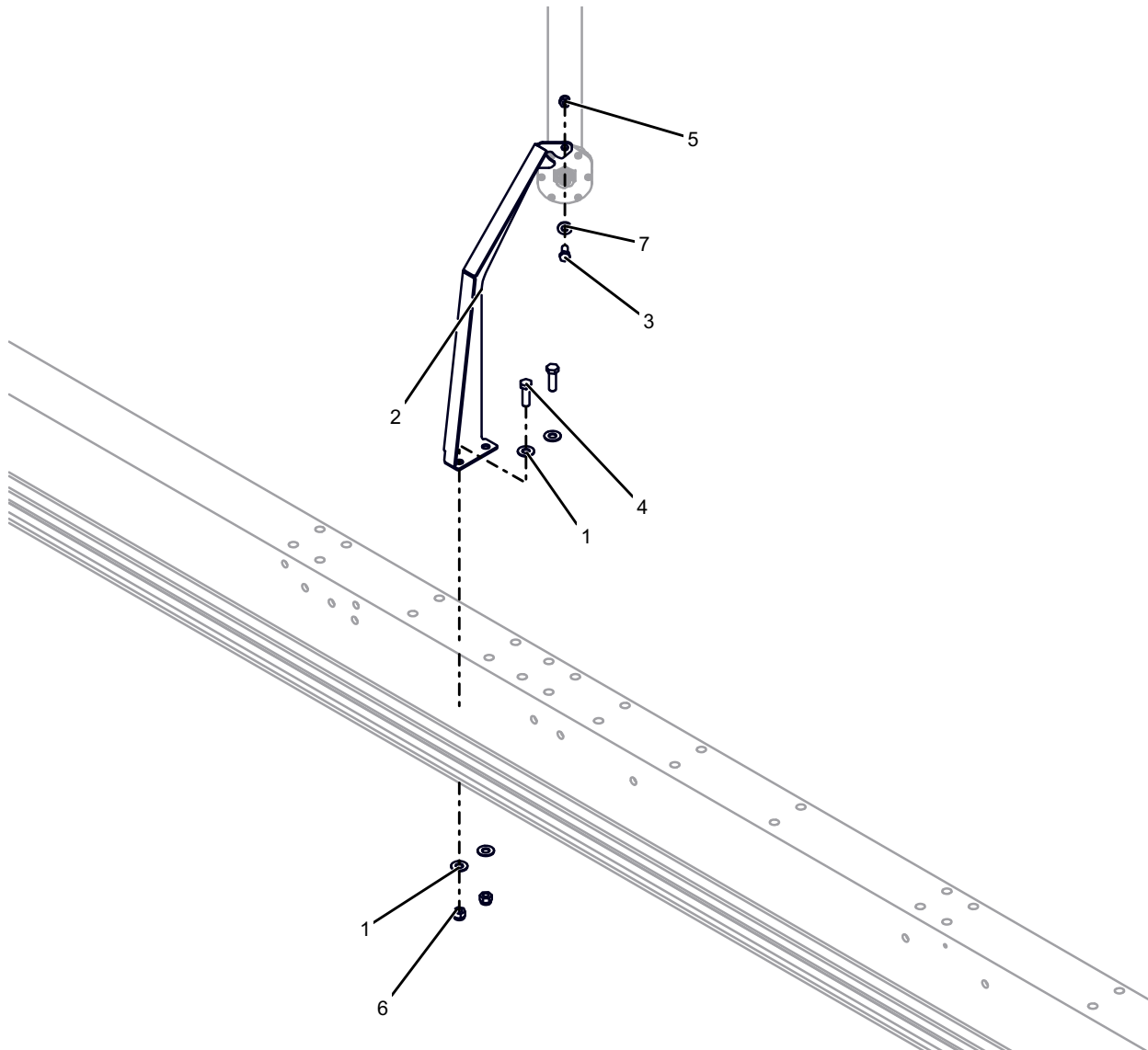
BOM ID	PartNo	Qty	Description
1	04090018	1	ENCLOSURE,8X6",FIBERGLASS
2	04450012	3	STRAIN-RELIEF,M16,.177-.394",PLSTC
3	02020296	4	LABEL,IDENT,GROUND-SYMBOL
4	04540121	1	ISOLATOR,SERIAL,INDUSTRIAL,RS-485
5	05040278	4	SCREW,#10-32x5/16",PRHMS,SST
6	06241048	1	PLATE,ELEC,ISOLATION-JUNC-BOX,BAYGLOW
7	11010400	2	CABLE,16-GAUGE,GREEN-YELLOW
8	34900	4	LUG,GROUNDING,14-4GA,COPPER
9	70106-HCS	4	SCREW,1/4-20x.50,HHCS,SST
10	71511-EZ	4	WASHER,1/4,STAR,ZP
11	73604-TXCZ	4	SCREW,#8-32X.38,HWHTC

8 AND 4 LIGHT LOADING LIGHT CENTER MOUNTING BRACKET 09020285 284



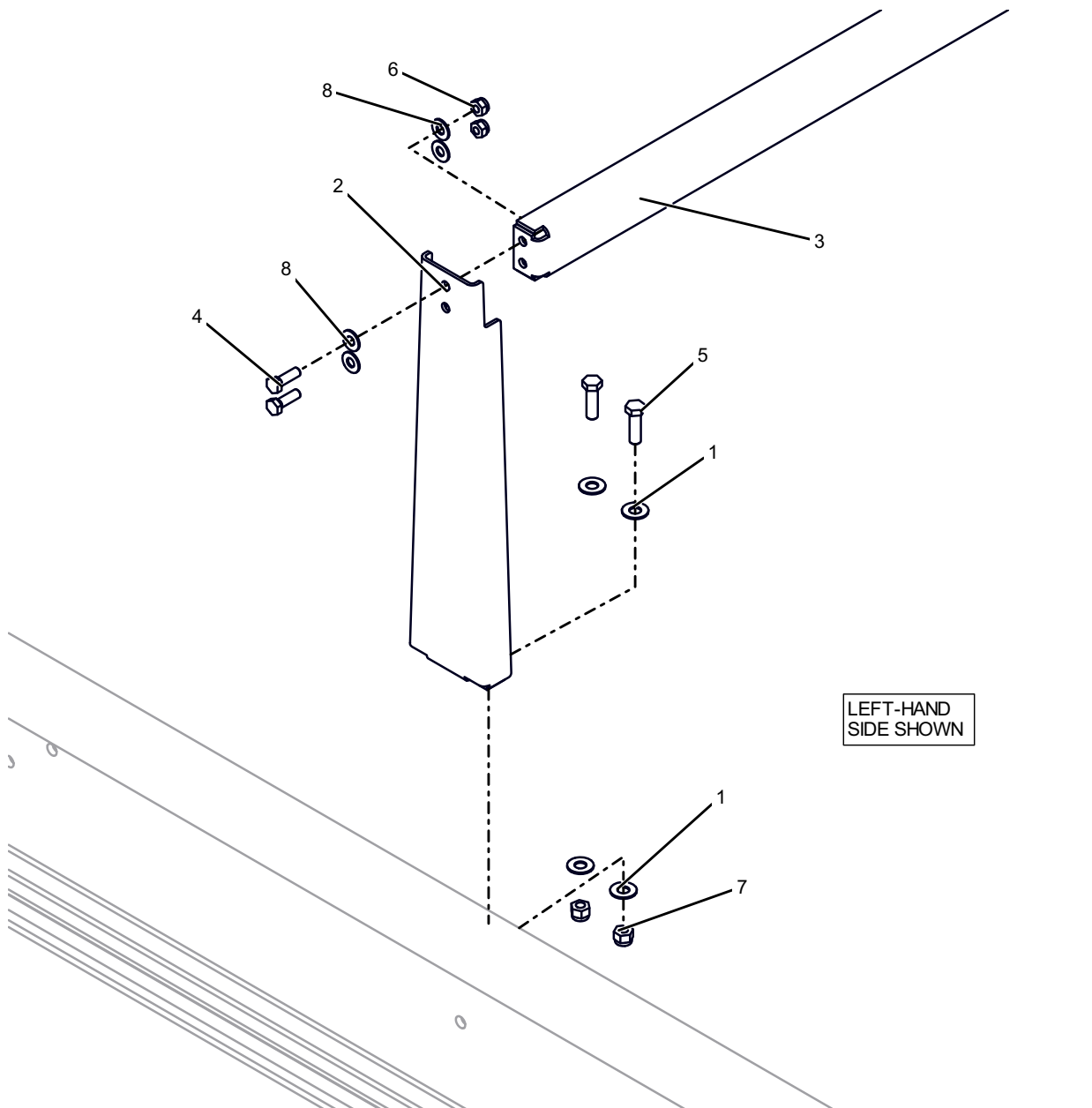
BOM ID	PartNo	Qty	Description
1	06141626	1	BRACKET,LIGHT-MNT,LEDBAR,CENTER,LOAD-POS
2	70143-HCS	2	SCREW,5/16-18x.75,HHCS,SST
3	70145-HCS	8	SCREW,5/16-18x1.00,HHCS,SST
4	71012-NCS	10	NUT,5/16-18,HEX,LOCK,SST
5	71512-FS	18	WASHER,5/16,FLAT,SST

8 AND 4 LIGHT LOADING LIGHT MOUNTING BRACKET 09020285 284



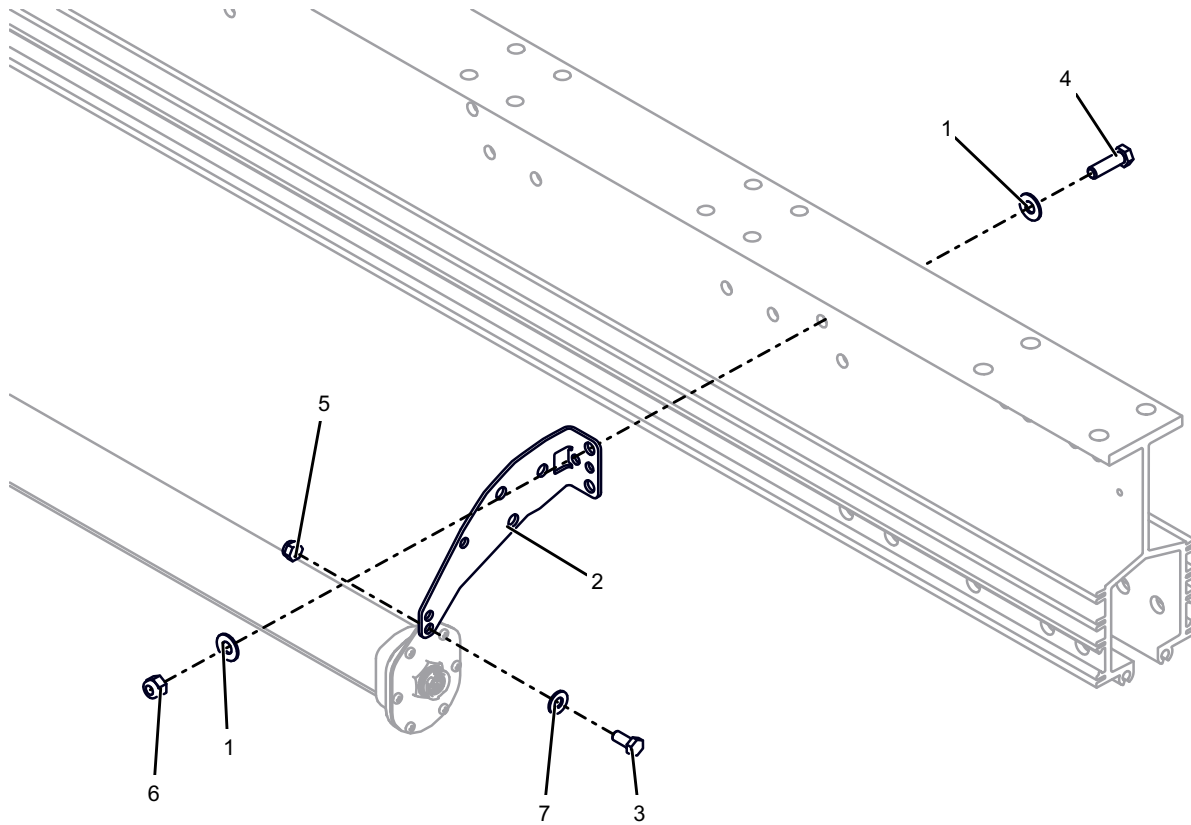
BOM ID	PartNo	Qty	Description
1	05030067	4	WASHER, 3/8, FLAT, 7/8-OD, .050THK, SST
2	06141636-RH	1	BRCKT, LIGHT-MNT, RH, EXIT, LOAD-POS, BAYGLOW
3	70143-HCS	1	SCREW, 5/16-18x.75, HHCS, SST
4	70181-HCS	2	SCREW, 3/8-16x1.25, HHCS, SST
5	71012-NCS	1	NUT, 5/16-18, HEX, LOCK, SST
6	71013-NCS	2	NUT, 3/8-16, HEX, LOCK, SST
7	71512-FS	1	WASHER, 5/16, FLAT, SST

8 AND 4 LIGHT LOADING CHANNEL MOUNTING BRACKET 09020285 284



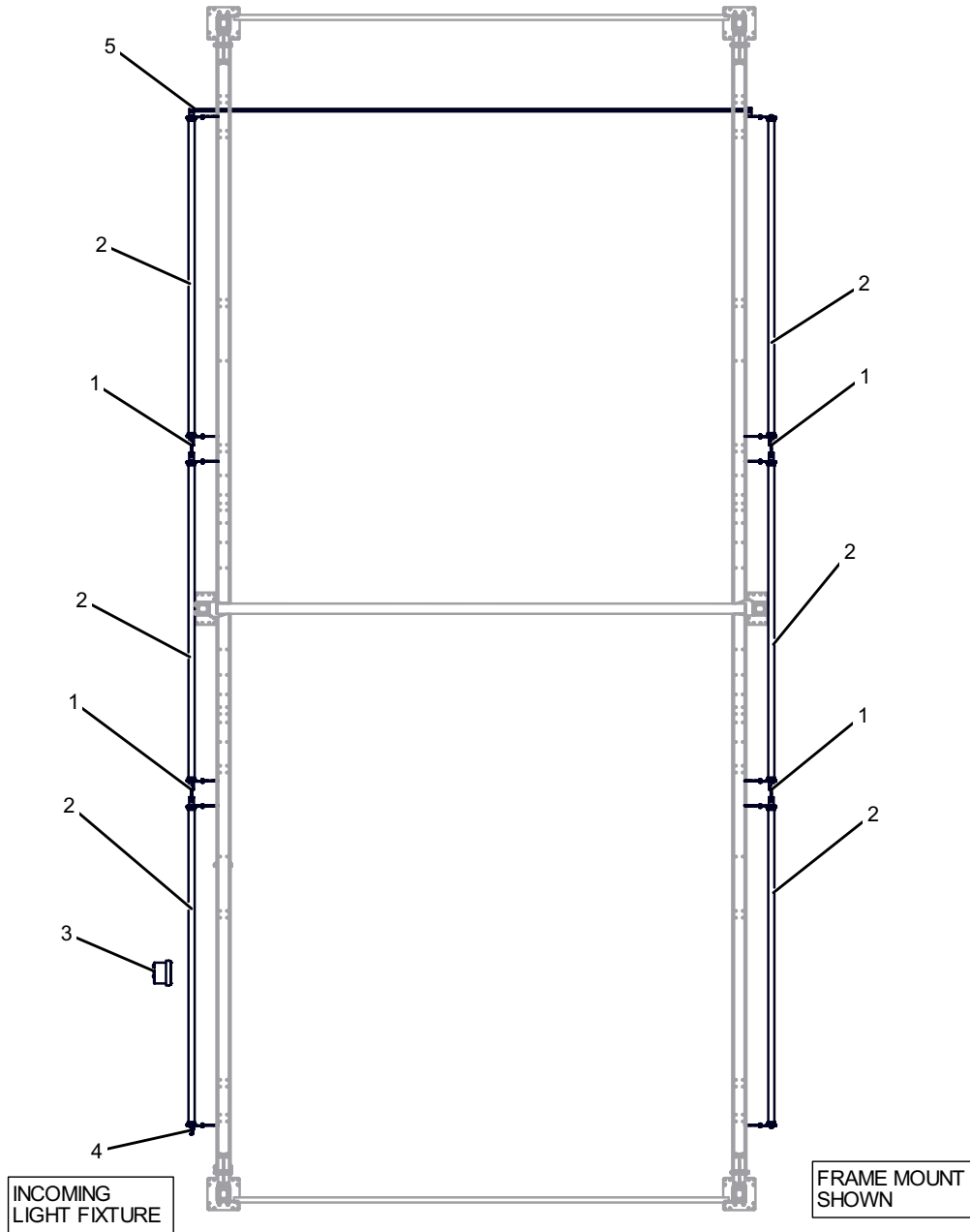
BOM ID	PartNo	Qty	Description
1	05030067	4	WASHER,3/8,FLAT,7/8-OD,.050THK,SST
2	06141634	1	BRACKET,LIGHT-MNT,ENT,LOAD-LIGHT,BAYGLOW
3	06141637	1	BRACKET,CHANNEL,LIGHT-MNT,LOAD-LIGHT,BAYGLOW
4	70145-HCS	2	SCREW,5/16-18x1.00,HHCS,SST
5	70181-HCS	2	SCREW,3/8-16x1.25,HHCS,SST
6	71012-NCS	2	NUT,5/16-18,HEX,LOCK,SST
7	71013-NCS	2	NUT,3/8-16,HEX,LOCK,SST
8	71512-FS	4	WASHER,5/16,FLAT,SST

SIDE RAIL BRACKET ASSEMBLY 09020285 88 84 83



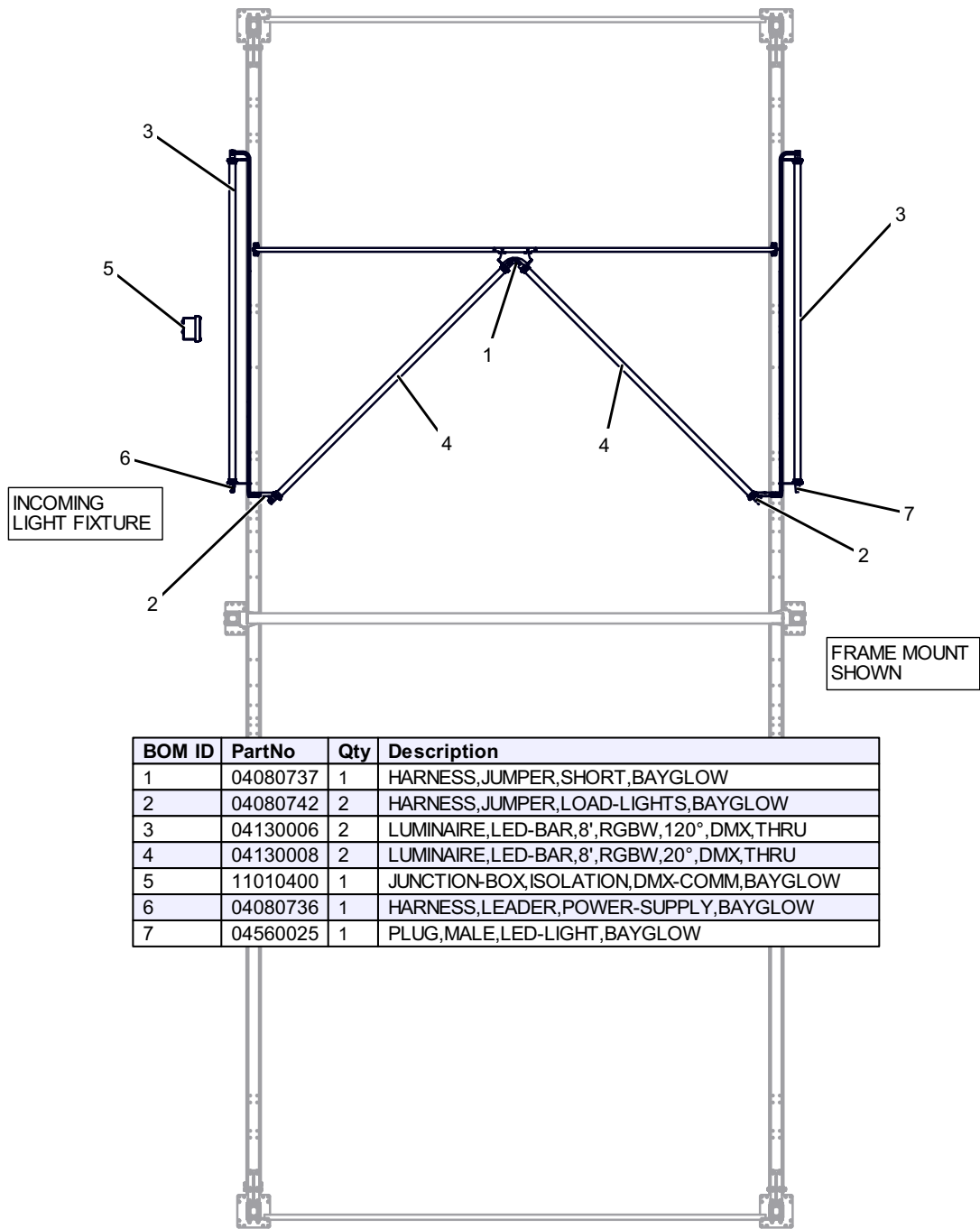
BOM ID	PartNo	Qty	Description
1	05030067	2	WASHER,3/8,FLAT,7/8-OD,.050THK,SST
2	06141624-RH	1	BRACKET,LIGHT-MNT,RH,LED-BAR,SST,BAYGLOW
3	70143-HCS	1	SCREW,5/16-18x.75,HHCS,SST
4	70181-HCS	1	SCREW,3/8-16x1.25,HHCS,SST
5	71012-NCS	1	NUT,5/16-18,HEX,LOCK,SST
6	71013-NCS	1	NUT,3/8-16,HEX,LOCK,SST
7	71512-FS	1	WASHER,5/16,FLAT,SST

6 LIGHT BAY GLOW LATOUT 09020288

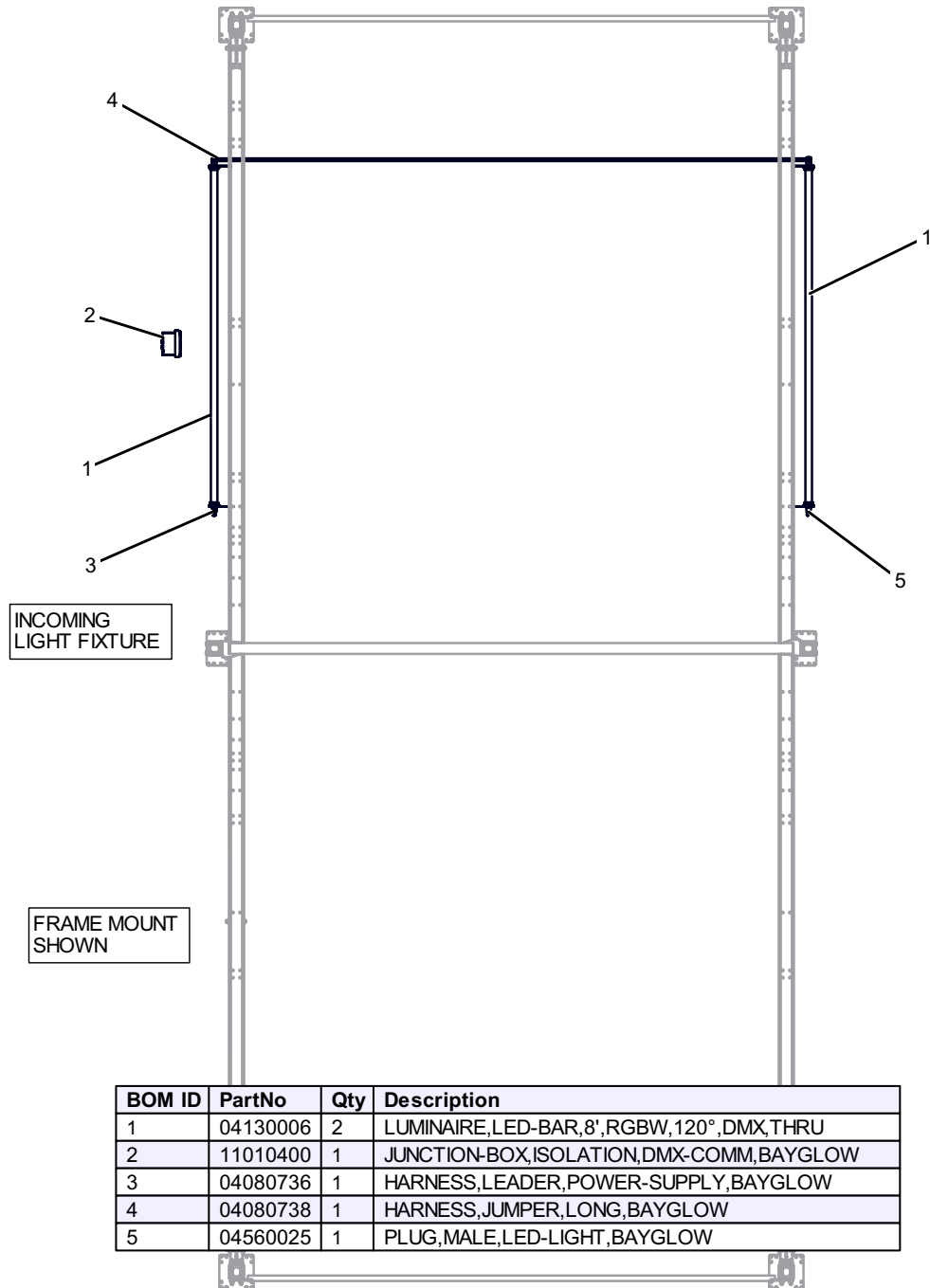


BOM ID	PartNo	Qty	Description
1	04080737	4	HARNESS,JUMPER,SHORT,BAYGLOW
2	04130006	6	LUMINAIRE,LED-BAR,8',RGBW,120°,DMX,THRU
3	11010400	1	JUNCTION-BOX,ISOLATION,DMX-COMM,BAYGLOW
4	04080736	1	HARNESS,LEADER,POWER-SUPPLY,BAYGLOW
5	04080738	1	HARNESS,JUMPER,LONG,BAYGLOW

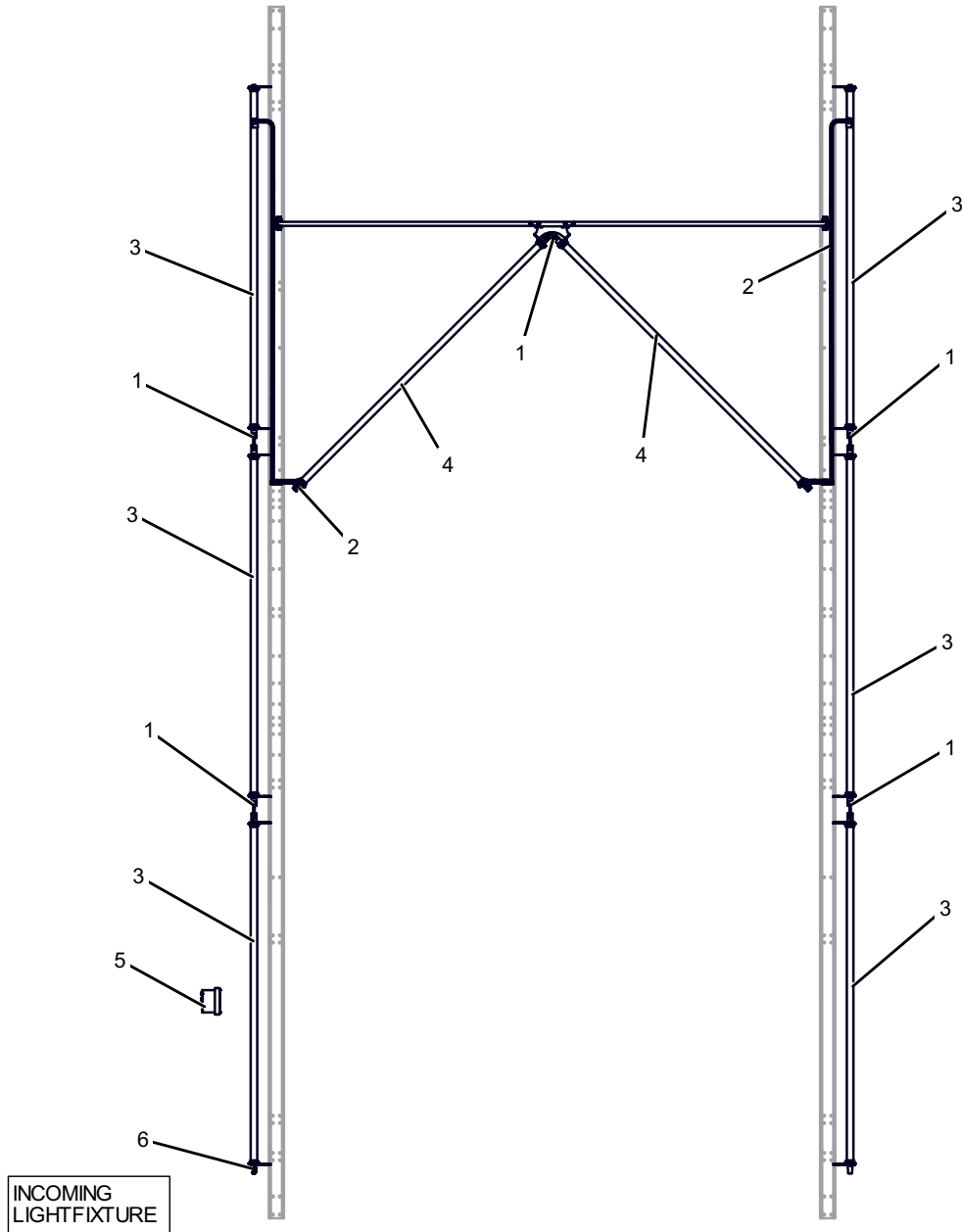
4 LIGHT BAY GLOW LAYOUT 09020284



2 LIGHT BAY GLOW LAYOUT 09020283

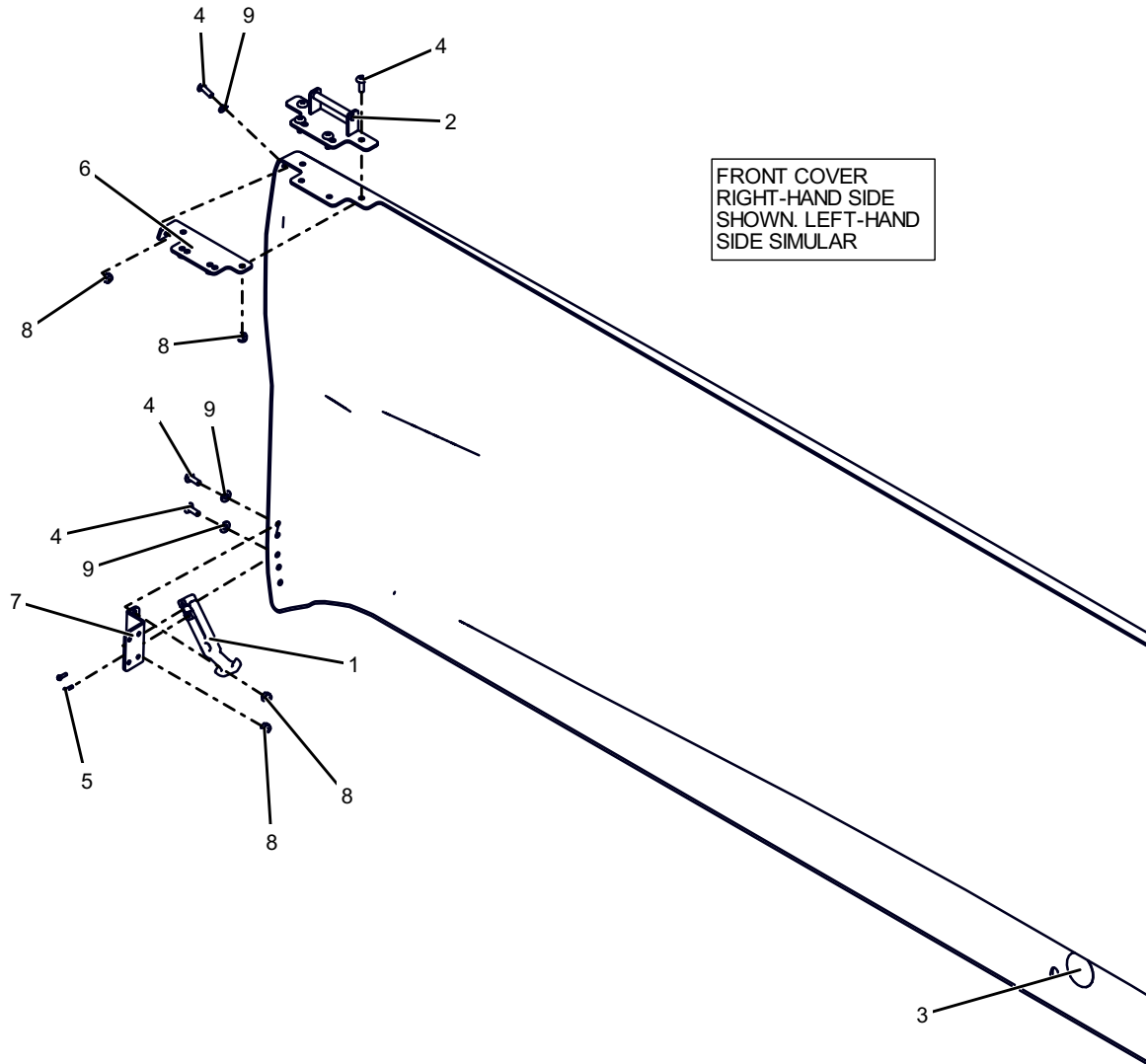


8 LIGHT BAY GLOW LAYOUT 09020285



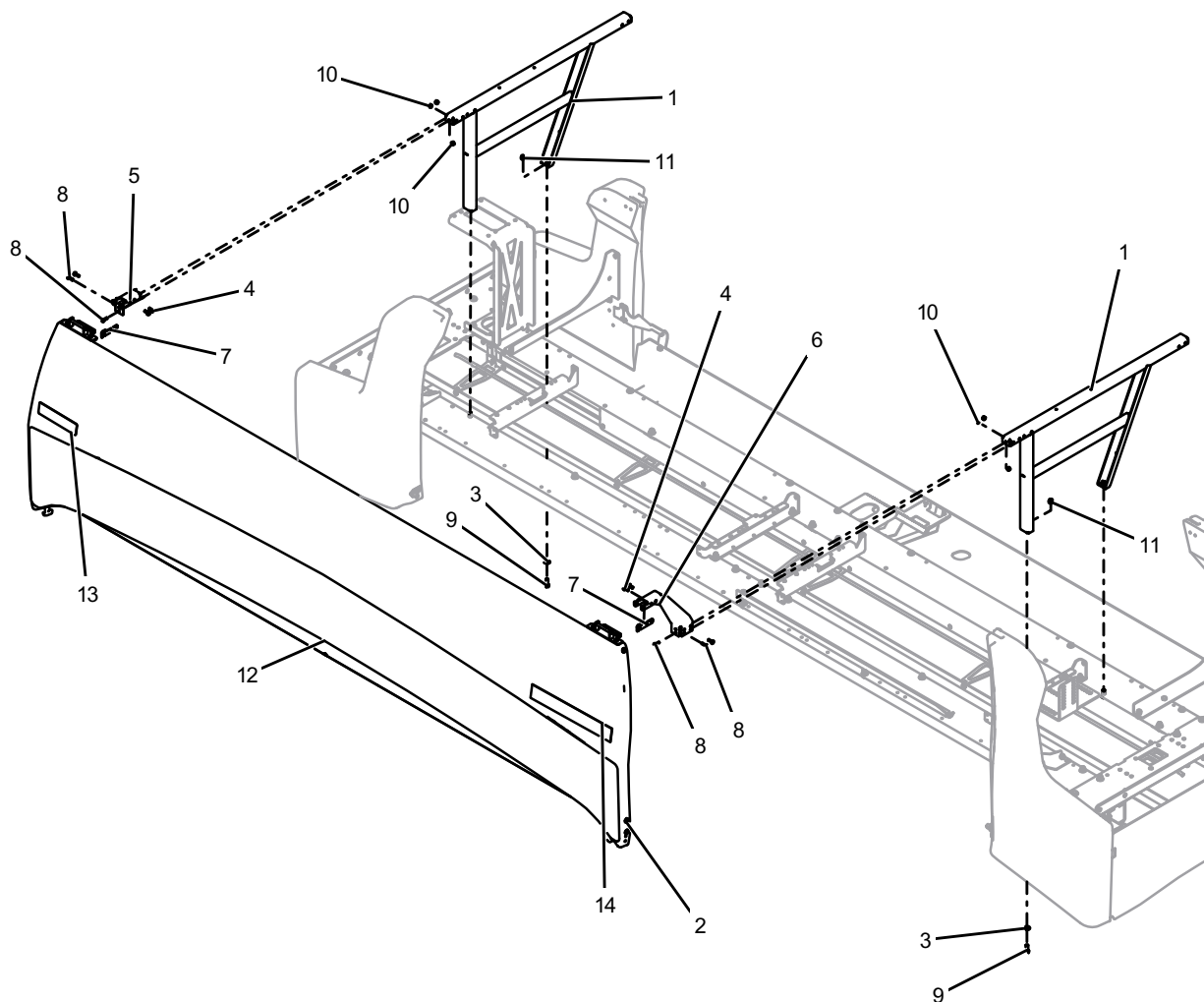
BOM ID	PartNo	Qty	Description
1	04080737	5	HARNESS,JUMPER,SHORT,BAYGLOW
2	04080742	2	HARNESS,JUMPER,LOAD-LIGHTS,BAYGLOW
3	04130006	6	LUMINAIRE,LED-BAR,8',RGBW,120°,DMX,THRU
4	04130008	2	LUMINAIRE,LED-BAR,8',RGBW,20°,DMX,THRU
5	11010400	1	JUNCTION-BOX,ISOLATION,DMX-COMM,BAYGLOW
6	04080736	1	HARNESS,LEADER,POWER-SUPPLY,BAYGLOW

STANDARD COVER SET CENTER BRIGE COVER HINDGES LATCH 11260166



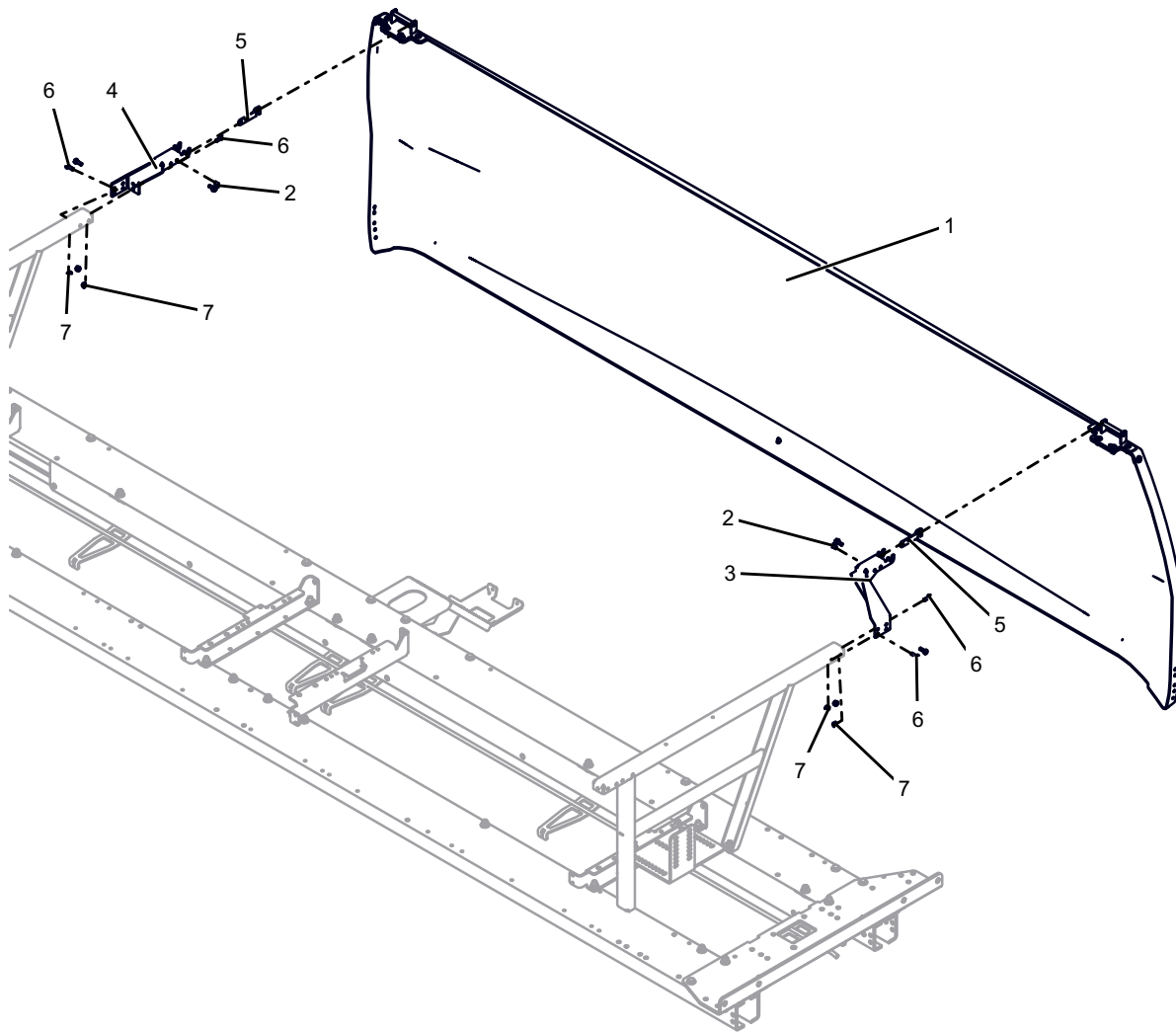
BOM ID	PartNo	Qty	Description
1	02050007	1	LATCH,DRAW,FLEXIBLE,PLSTC
2	06141273	1	BRACKET,HINGE,CTR-CVR,LW360PLUS
3	02030343	1	DECAL,WARNING,SAFETY,HARNESS,REQUIRED
4	05040133	7	SCREW,1/4-20x.75,PTHMS,SST
5	05040194	2	SCREW,#6-32X.50,STHMS,SST
6	06141275-RH	1	BRACKET,HINGE-SUPPORT,LW360PLUS,SST,RH
7	06141771	1	BRACKET,LATCH-HANDLE,CTR-COVER,LW2020
8	71011-NCS	7	NUT,1/4-20,HEX,LOCK,SST
9	71511-FS	3	WASHER,1/4,FLAT,SST

STANDARD COVER SET FRONT COVER 11260166



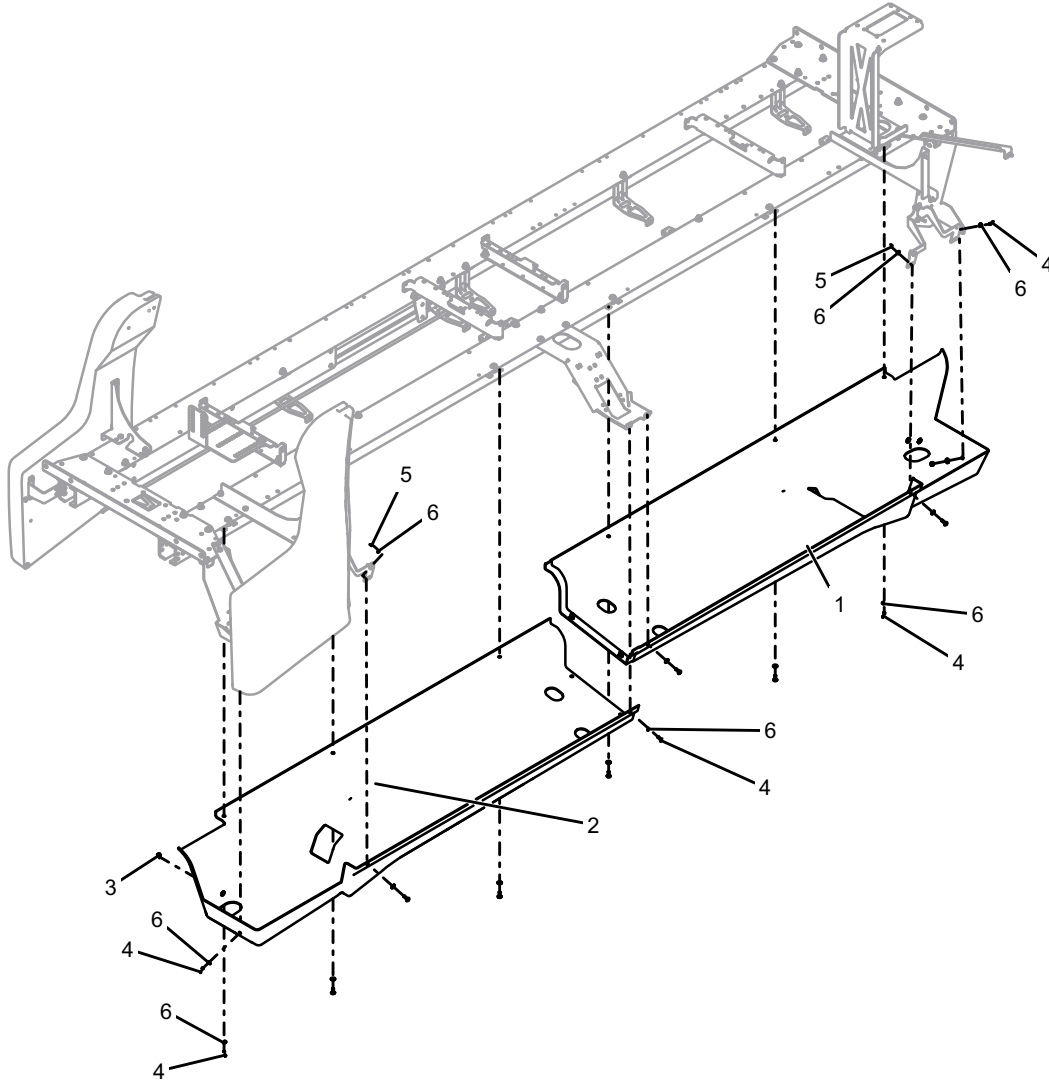
BOM ID	PartNo	Qty	Description
1	06250181	2	FRAME,CENTER-COVER,LW2020
2	11260177	1	COVER,ASSY,CENTER,ENTR,STD,LW2020
3	05030067	4	WASHER,3/8,FLAT,7/8-OD,.050THK,SST
4	05040402	4	SCREW,1/4-20X.62,HHFS,SERRATED,SST
5	06141759	1	BRACKET,HINGE,LW2020,TYPE-1
6	06141760	1	BRACKET,HINGE,LW2020,TYPE-2
7	06241099	2	PLATE,CATCH,CENTER-COVER,LW2020
8	70108-HCS	6	SCREW,1/4-20x.75,HHCS,SST
9	70180-HCS	4	SCREW,3/8-16x1.00,HHCS,SST
10	71011-NCS	6	NUT,1/4-20,HEX,LOCK,SST
11	71013-NCS	4	NUT,3/8-16,HEX,LOCK,SST
12	02030671	1	DECAL,BRIDGE,ENTRANCE,LW360PLUS
13	02030393	1	DECAL,PDQ-LOGO,7-1/2 x 3-1/8
14	02030394	1	DECAL,PDQINC.COM,15-1/2 x 2-1/8

STANDARD COVER SET EXIT COVER 11260166



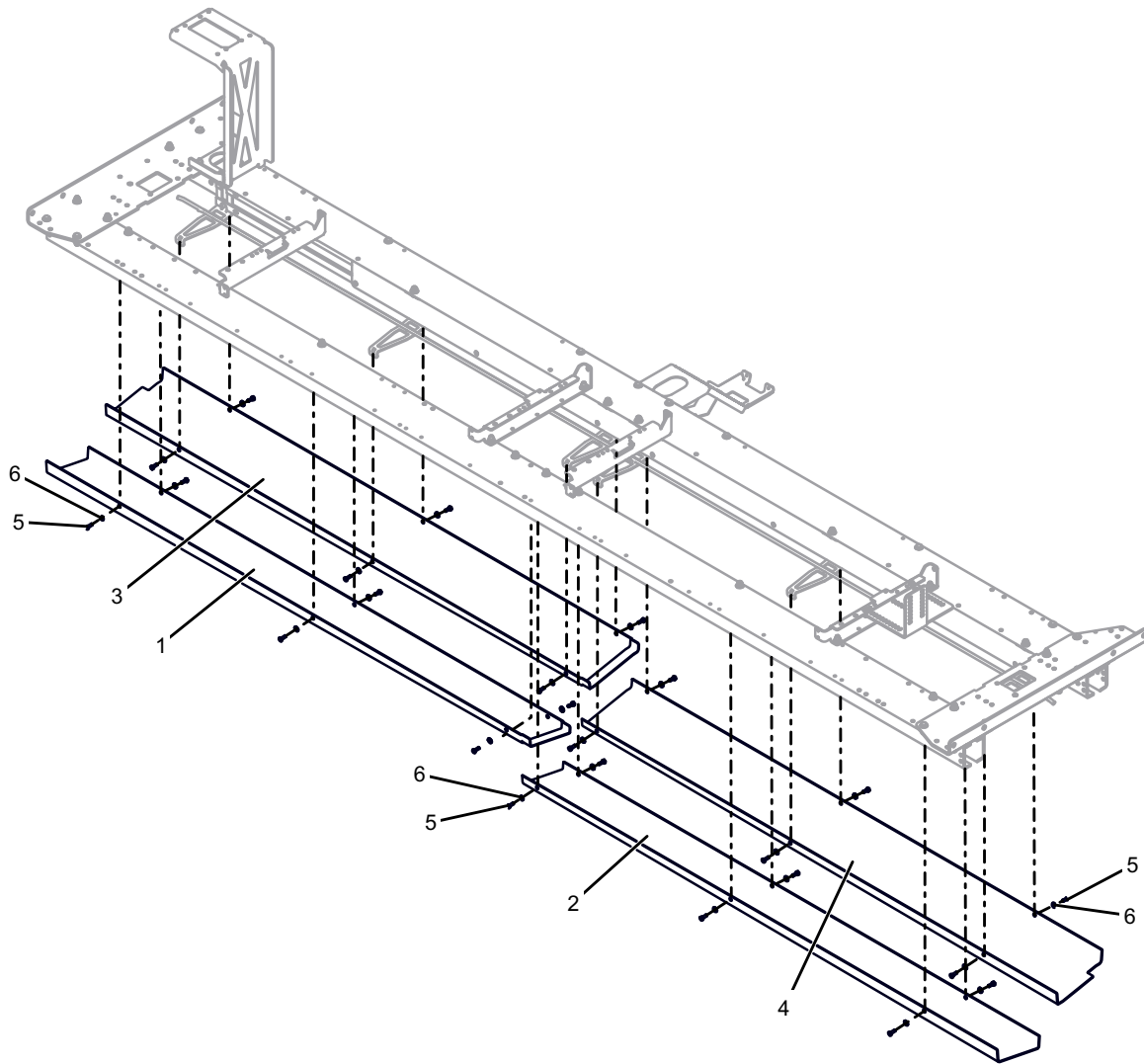
BOM ID	PartNo	Qty	Description
1	11260115	1	COVER,ASSY,CENTER,EXIT,NO-INTD,LW360PLUS
2	05040402	4	SCREW,1/4-20X.62,HHFS,SERRATED,SST
3	06141759	1	BRACKET,HINGE,LW2020,TYPE-1
4	06141760	1	BRACKET,HINGE,LW2020,TYPE-2
5	06241099	2	PLATE,CATCH,CENTER-COVER,LW2020
6	70108-HCS	6	SCREW,1/4-20x.75,HHCS,SST
7	71011-NCS	6	NUT,1/4-20,HEX,LOCK,SST

STANDARD COVER SET EXIT SIDE BOTTOM COVERS 11260166



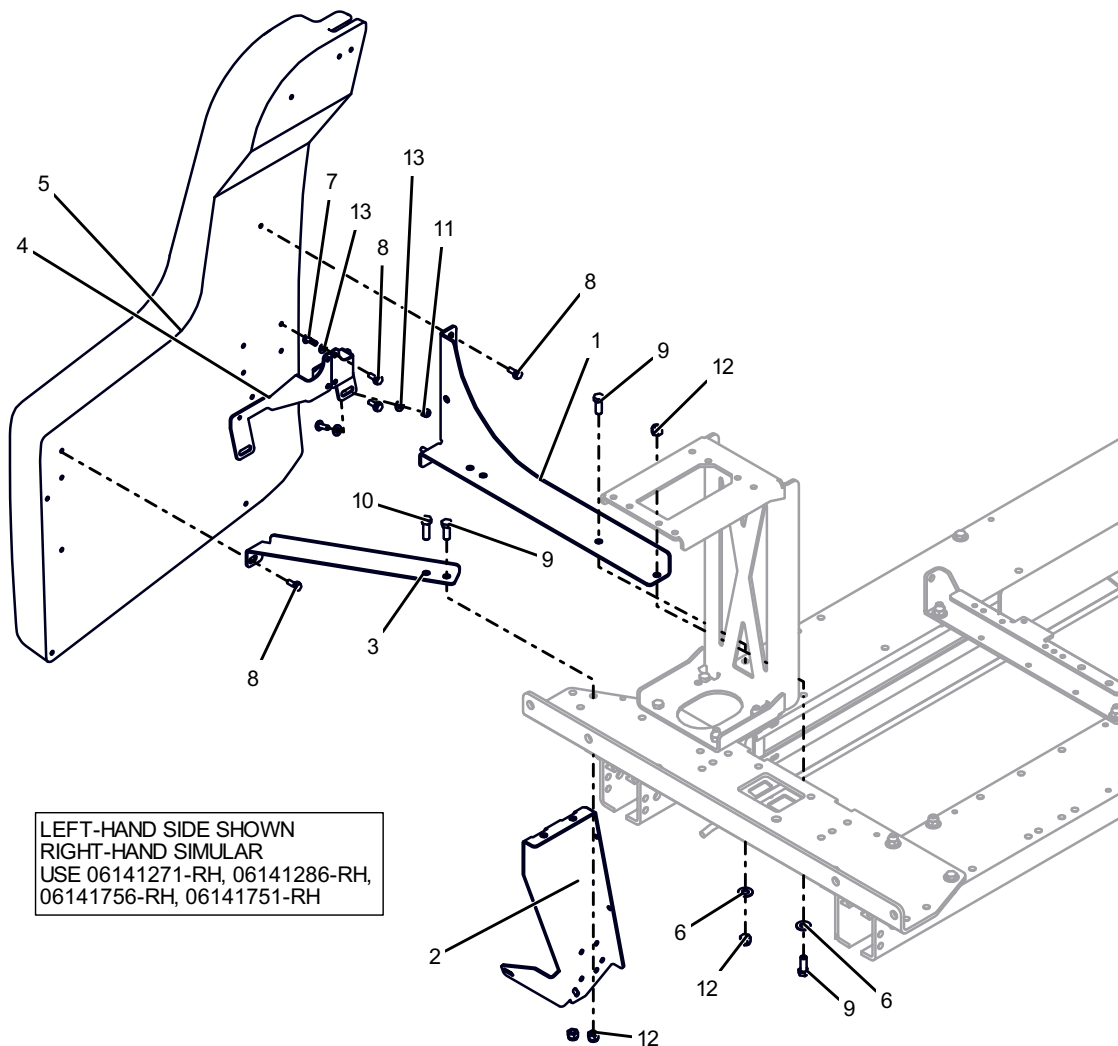
BOM ID	PartNo	Qty	Description
1	06160558-LH	1	COVER,FB,BOTTOM,NO-INTD,TDMSL,LH
2	06160558-RH	1	COVER,FB,BOTTOM,NO-INTD,TDMSL,RH
3	04330020	1	PLUG,HOLE,11/16",NYLON,WHITE
4	05040133	12	SCREW,1/4-20x.75,PTHMS,SST
5	71011-NCS	2	NUT,1/4-20,HEX,LOCK,SST
6	71511-FS	14	WASHER,1/4,FLAT,SST

STANDARD COVER SET BOTTOM COVERS BETWEEN TROLLEY RAILS 11260166



BOM ID	PartNo	Qty	Description
1	06160477-LH	1	COVER,BRIDGE,BOTTOM,ENT,LEFT,LW360P
2	06160477-RH	1	COVER,BRIDGE,BOTTOM,ENT,RIGHT,LW360P
3	06160478-LH	1	COVER,BRIDGE,BOTTOM,EXIT,LEFT,LW360P
4	06160478-RH	1	COVER,BRIDGE,BOTTOM,EXIT,RIGHT,LW360P
5	70108-HCS	24	SCREW,1/4-20x.75,HHCS,SST
6	71511-FS	24	WASHER,1/4,FLAT,SST

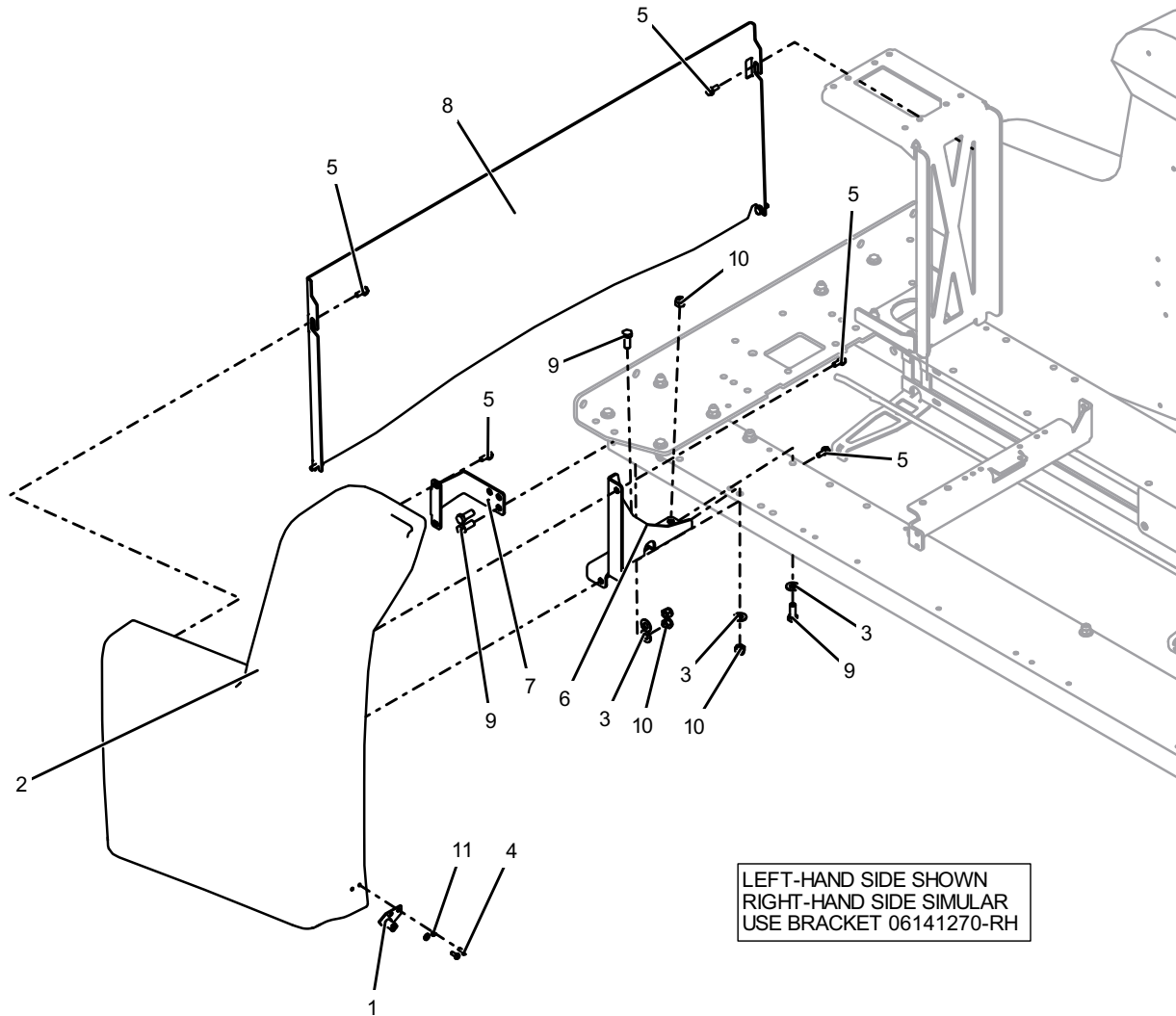
STANDARD COVER SET EXIT END COVER 11260166



BOM ID	PartNo	Qty	Description
1	06141271-LH	1	BRACKET,COVER,LW360P,EXIT,INSIDE,LH
2	06141286-LH	1	BRACKET,ULTRASONIC,MNT,LEFT,SST,LW360P
3	06141756-LH	1	BRACKET,CRNR-CVR,STD,EXIT,OUTER,LH
4	06141761-LH	1	BRACKET,STD-CVR,LATCH,EXIT,LW2020,LH
5	06160499	1	COVER,BRIDGE,RIGHT,LW/TDM
6	05030067	2	WASHER,3/8,FLAT,7/8-OD,.050THK,SST
7	05040133	2	SCREW,1/4-20x.75,PTHMS,SST
8	05040402	5	SCREW,1/4-20X.62,HHFS,SERRATED,SST
9	70180-HCS	3	SCREW,3/8-16x1.00,HHCS,SST
10	70181-HCS	1	SCREW,3/8-16x1.25,HHCS,SST
11	71011-NCS	1	NUT,1/4-20,HEX,LOCK,SST
12	71013-NCS	4	NUT,3/8-16,HEX,LOCK,SST
13	71511-FS	3	WASHER,1/4,FLAT,SST

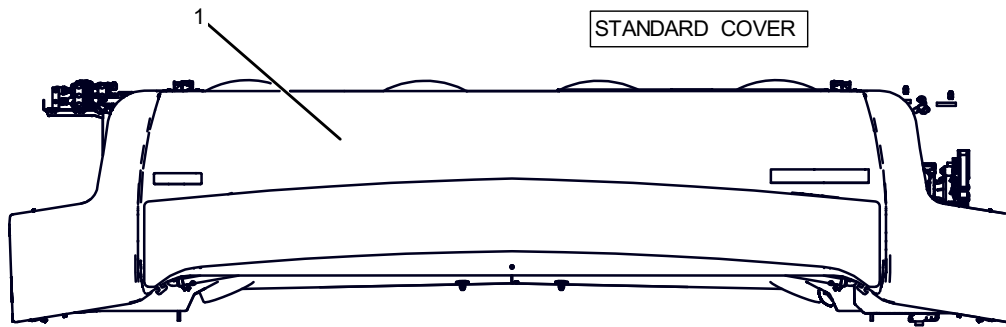
STANDARD COVER SET ENTRANCE END COVERS

11260166



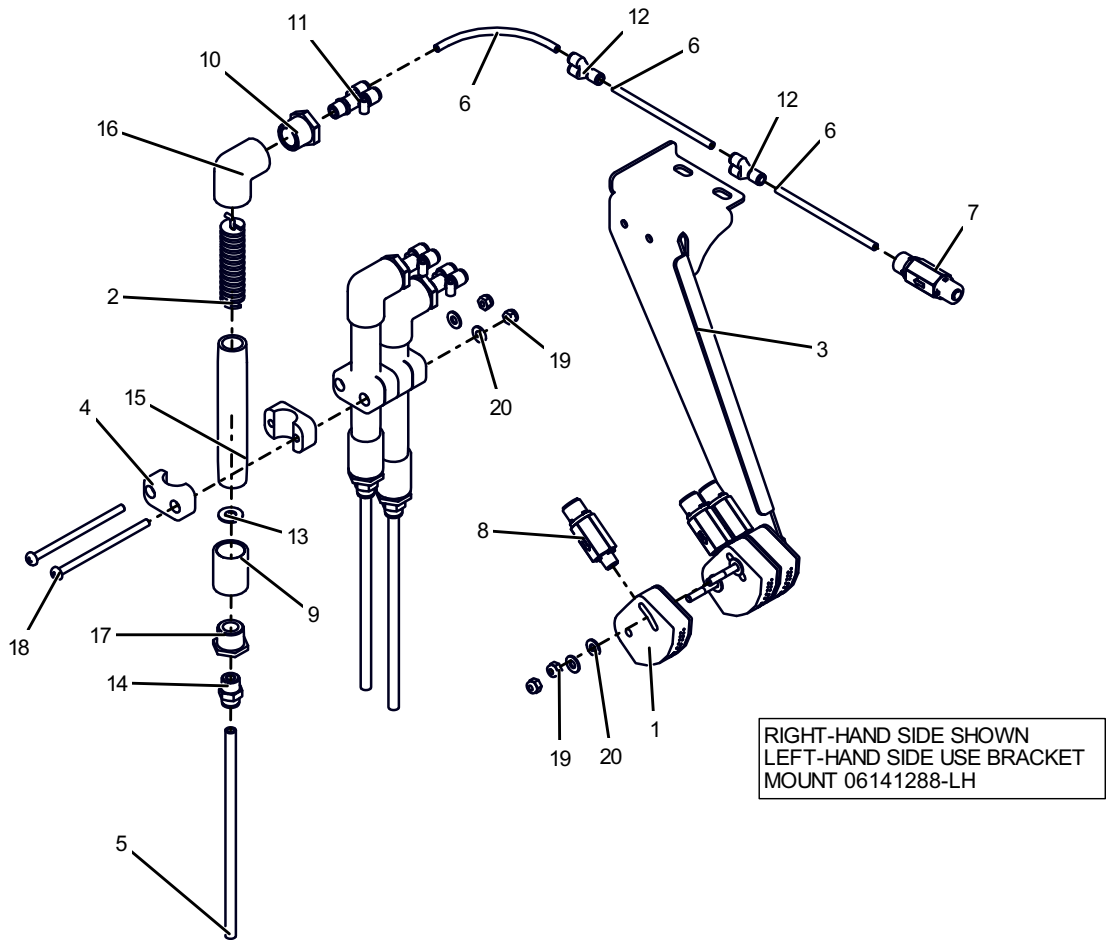
BOM ID	PartNo	Qty	Description
1	02050007	1	LATCH,DRAW,FLEXIBLE,PLSTC
2	06160498	1	COVER,BRIDGE,LEFT,LW/TDM
3	05030067	4	WASHER,3/8,FLAT,7/8-OD,.050THK,SST
4	05040240	2	SCREW,#10-32x.5,PPHMS,SST
5	05040402	7	SCREW,1/4-20X.62,HHFS,SERRATED,SST
6	06141270-LH	1	BRACKET,COVER,LW360P,ENTRANCE,INSIDE,LH
7	06141757	1	BRACKET,CRNR-CVR,STD,ENTR,OUT,LW2020
8	06160493	1	COVER,BRIDGE,RAIL-ENDS,LW360P,AL
9	70180-HCS	4	SCREW,3/8-16x1.00,HHCS,SST
10	71013-NCS	4	NUT,3/8-16,HEX,LOCK,SST
11	71509-FS	2	WASHER,#10,FLAT,SST

STANDARD COVER SET 11260166



BOM ID	PartNo	Qty	Description
1	11260166	1	COVER,SET,BRDG,STD,BASE,LW2020

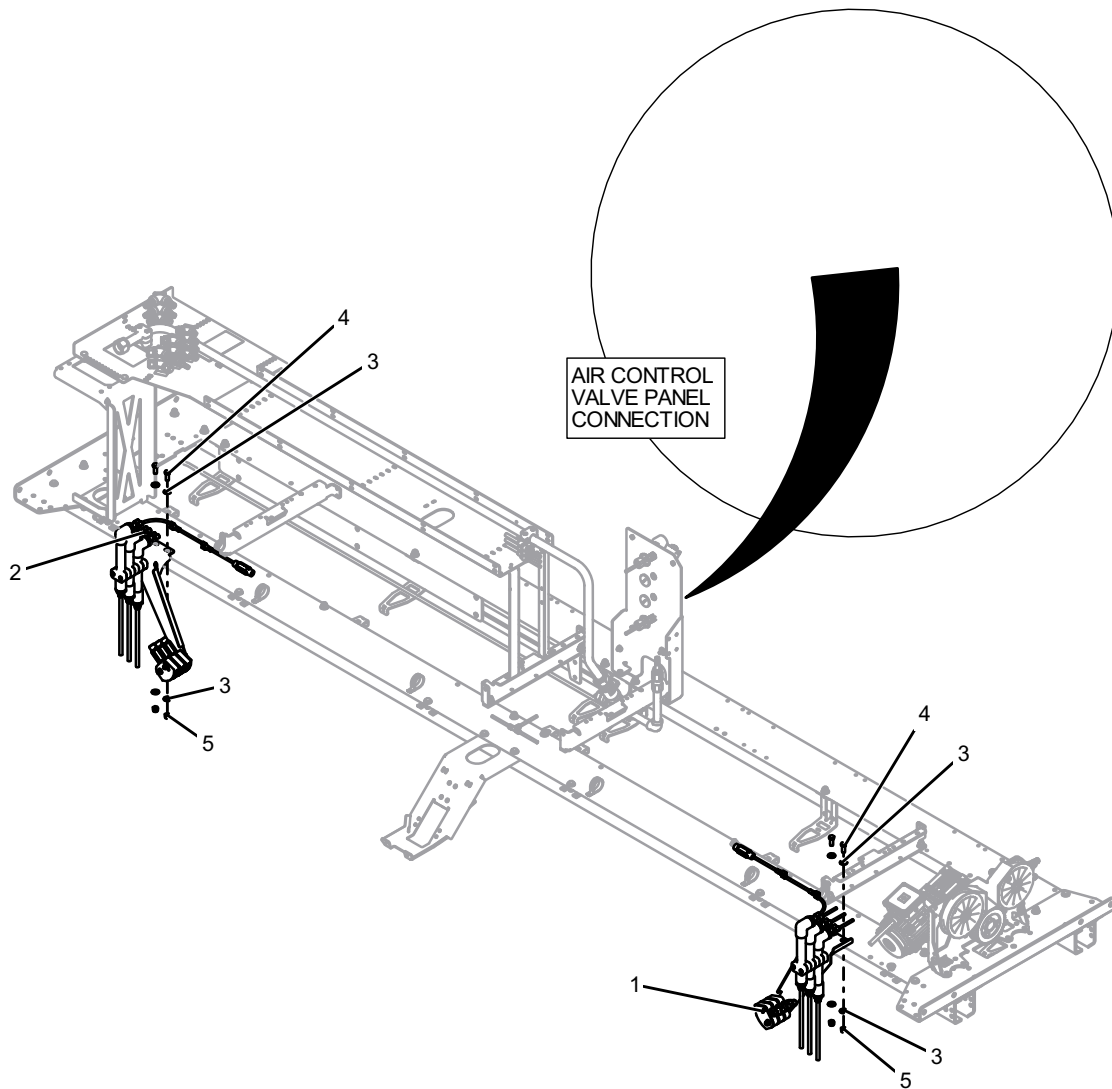
3X FOAM MANIFOLD APPLICATOR 11250415



RIGHT-HAND SIDE SHOWN
LEFT-HAND SIDE USE BRACKET
MOUNT 06141288-LH

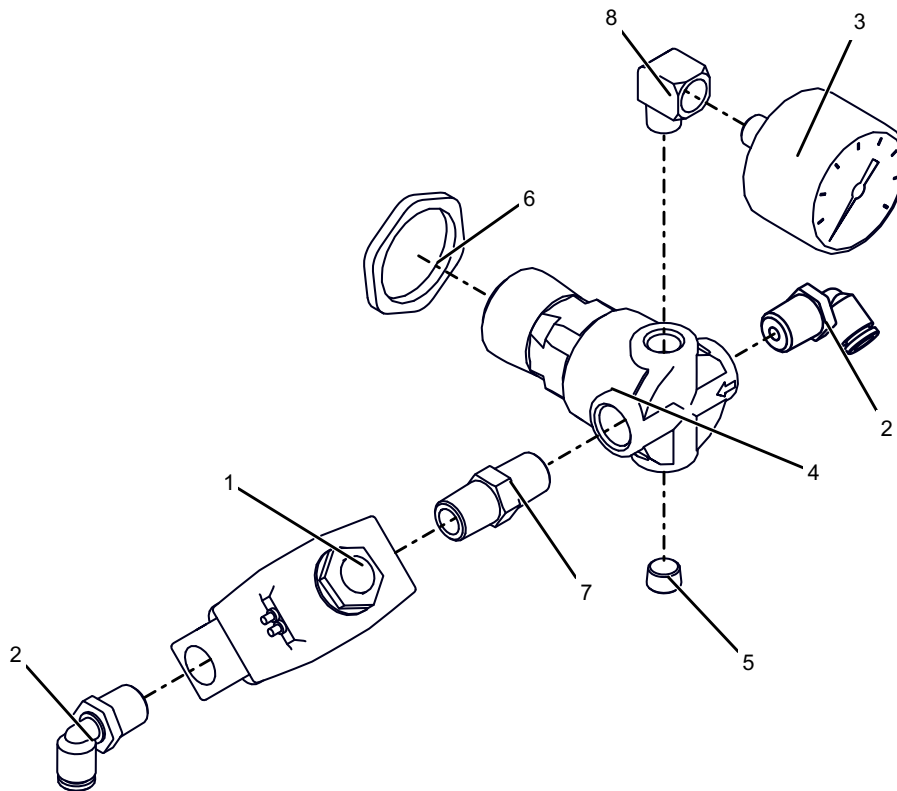
BOM ID	PartNo	Qty	Description
1	03230088	3	NOZZLE, SPRAY, 3X, PVC, 30-HOLES, LW360P
2	03260002	3	MIXER, BRUSH, FOAMER, .875X4, 3X/SS, LW360P
3	06141288-RH	1	BRACKET, MOUNT, 3X-FOAM, RH, LW360P
4	75016	3	CLAMP, TUBE, 1", PP, STANDARD
5	01120007	3	TUBING, 3/8ODX.06W, 230PSI@70F, LLDPE, BLUE
6	01120008	3	TUBING, 1/4ODx.04W, 230psi@70F, LLDPE, BLUE
7	03010105	1	VALVE, CHECK, 1/4x1/4PCF, 3#, BRIDGE, G5
8	03010134	3	VALVE, CHECK, 3/8PCF-INx1/4NPT-OUT, 1#
9	03070044	3	COUPLING, 3/4NPT, SCHED40, PVC
10	03090019	3	BUSHING, 3/4NPTx1/4NPT, PVC
11	03320048	3	TUBE-FTG, Y, 1/4Tx1/4NPT, PUSH, PLSTC
12	03320058	2	TUBE-FTG, Y, 1/4T, SPLITTER, PUSH, PLSTC, PP
13	05030067	3	WASHER, 3/8, FLAT, 7/8-OD, .050THK, SST
14	24038-PB	3	TUBE-FTG, CONN, 3/8Tx3/8NPT, PUSH, BRS
15	67014-I8P	3	NIPPLE, 3/4NPTx6.00, SC80, PVC
16	67408-4P	3	ELBOW, 3/4NPT, 90DEG, SC40, PVC
17	67708-4P	3	BUSHING, 3/4NPTx3/8NPT, SC40, PVC
18	70124-SCS	2	SCREW, 1/4-20x4.50, PPHMS, SST
19	71011-NCS	4	NUT, 1/4-20, HEX, LOCK, SST
20	71511-FS	10	WASHER, 1/4, FLAT, SST

3X FOAM MANIFOLD 11250417



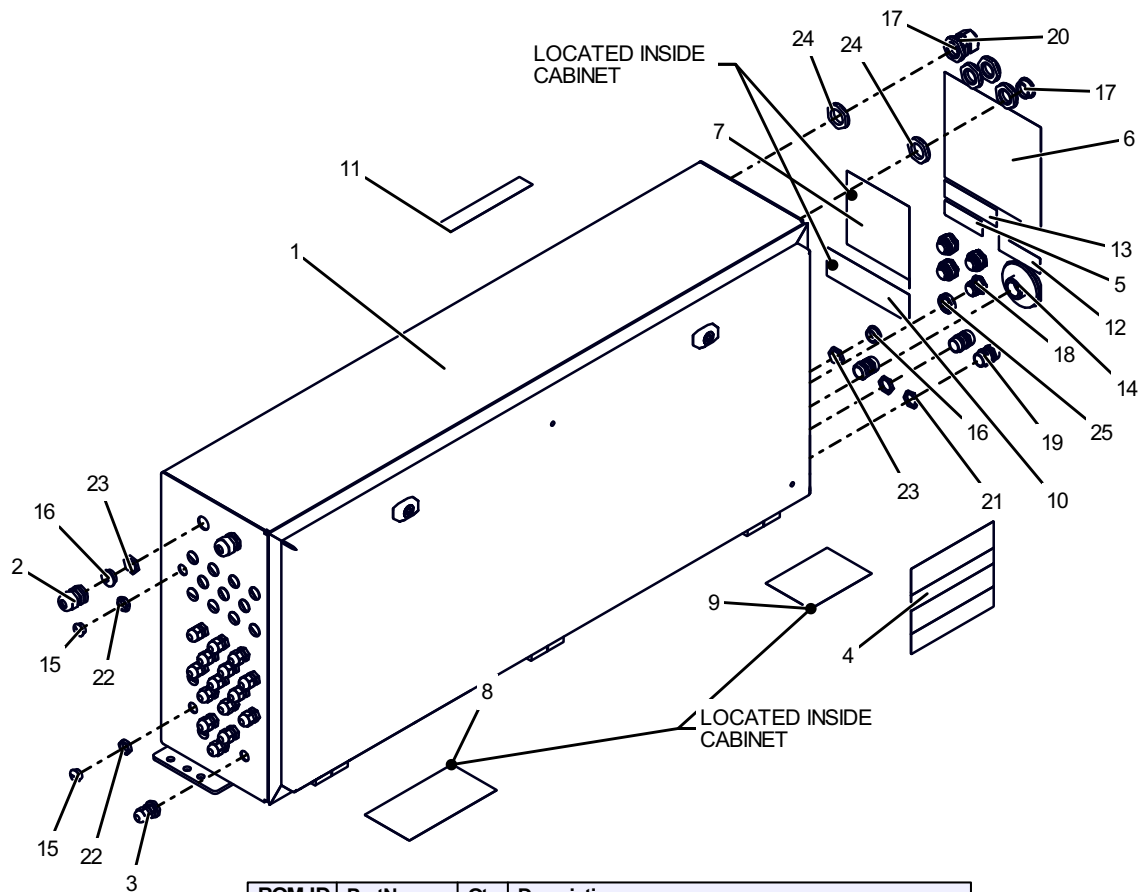
BOM ID	PartNo	Qty	Description
1	11250415-LH	1	MANIFOLD,APPLICATOR,3X,LH,LW2020
2	11250415-RH	1	MANIFOLD,APPLICATOR,3X,RH,LW2020
3	05030067	8	WASHER,3/8,FLAT,7/8-OD,.050THK,SST
4	70180-HCS	4	SCREW,3/8-16x1.00,HHCS,SST
5	71013-NCS	4	NUT,3/8-16,HEX,LOCK,SST

FOAMING AIR VALVE ASSEMBLY 11030167



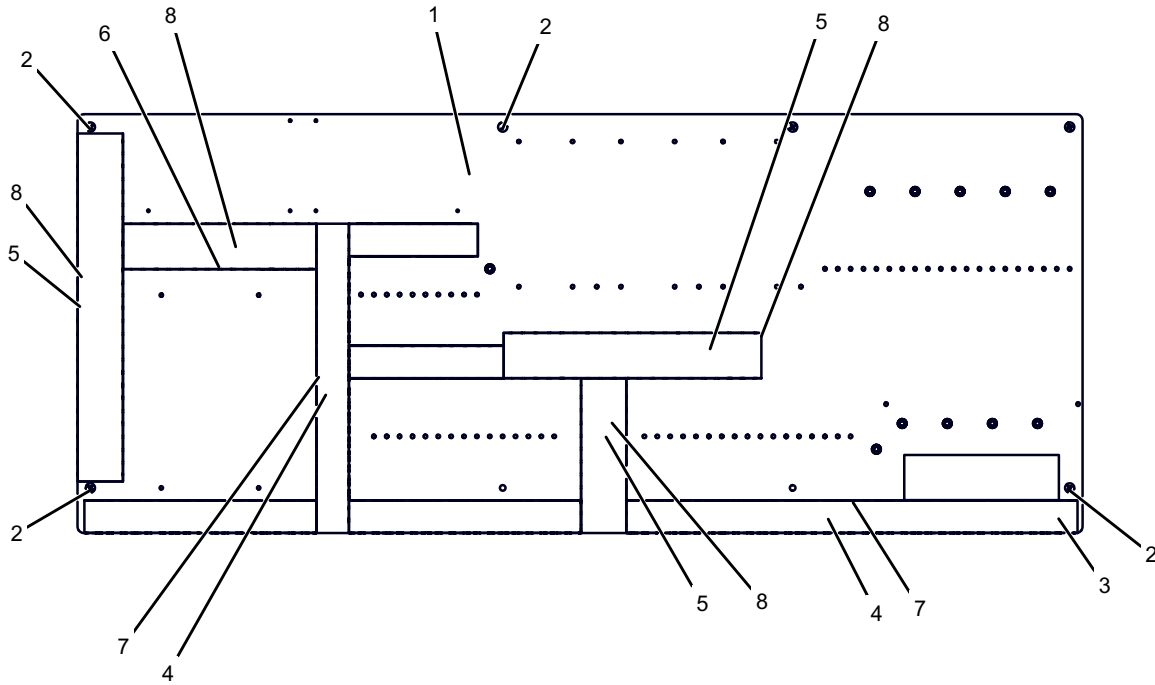
BOM ID	PartNo	Qty	Description
1	03010140	1	VALVE,SOL,2-WAY,NC,1/4"NPT,24VAC,BRASS
2	24336-PB	2	TUBE-FTG,ELBOW,1/4Tx1/4NPT,PUSH,BRS
3	25031	1	GAUGE,PRES,0-160PSI,1/8NPT,CBM,1.50"
4	26160	1	VALVE,REG,1/4"NPT,125PSI,W/NUT,MINI
5	26160C	1	1/8NPT PLUG FOR 26160
6	26160E	1	26160E
7	67052-4B	1	NIPPLE,HEX,1/4NPT,BRS
8	67485-4B	1	ELBOW,STREET,1/8NPT,90DEG,SC40,BRS

BIDGE CONTROL BOX CABINET 11010413



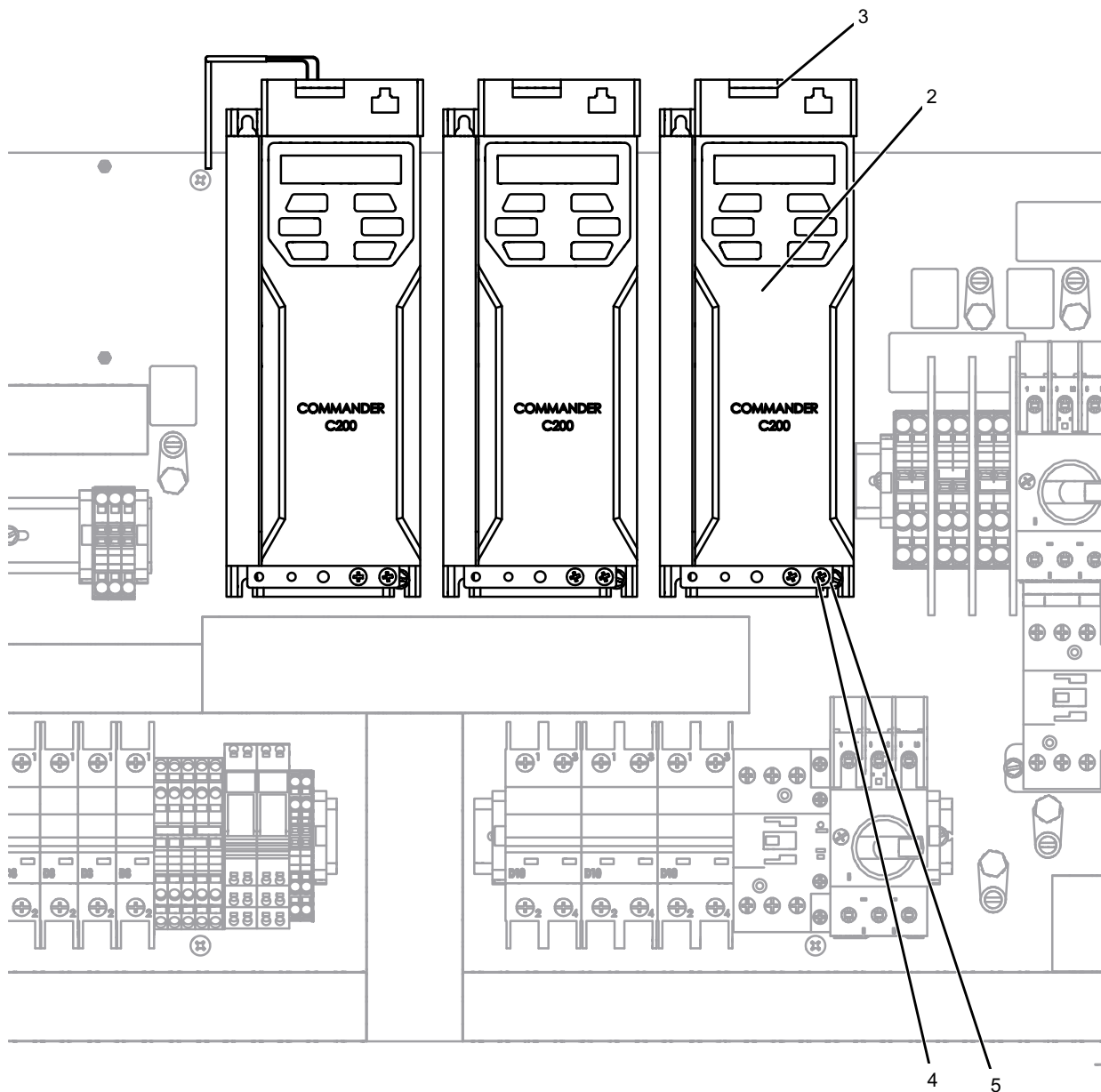
BOM ID	PartNo	Qty	Description
1	04090189	1	ENCLOSURE, BRIDGE, ELECTRICAL, AL, LW20
2	04450016	2	STRAIN-RELIEF, M20, .276-.512", PLSTC
3	04450024	16	STRAIN-RELIEF, .138-.315", W/LOCKNUT, NYLON
4	02240097B	1	LABEL, MULTIPLE-WARNING, BRIDGE, LW20
5	02210037	1	LABEL, SERIAL, BRIDGE, LASERWASH-360PLUS
6	02220024	1	LABEL-RATING, BRIDGE, 208V-230V, LW20
7	02240097A	1	LABEL, FIELD-WIRING, BRIDGE, LW20
8	02240097S	1	LABEL, HOLES, BRIDGE, LEFT, LW20
9	02240097T	1	LABEL, HOLES, BRIDGE, RIGHT, LW20
10	02240103	1	LABEL, WARNING, OV-SC-GF-PROTECTION
11	02240107	1	LABEL, NOTICE, DO-NOT-DRILL-TOP
12	02240109	1	LABEL, NOTICE, VENT-DO-NOT-REMOVE
13	02240112	1	LABEL, INFO, CE-WITH-AUTH-REP
14	03160018	1	VENT, M32X1.5, POLYCARBONATE, GORE
15	04330010	15	PLUG, HOLE, PG9, NYLON, GREY
16	04330013	3	PLUG, HOLE, M20x1.5, POLYSTYRENE, GRAY
17	04330014	5	PLUG, HOLE, M25x1.5, POLYSTYRENE, GRAY
18	04330031	4	PLUG, HOLE, 1/2-NPT, NYLON, BLK, UL
19	04450017	3	STRAIN-RELIEF, PG13, .197-.472", GND-CONN
20	04450018	1	STRAIN-RELIEF, M25, .354-.669", PLSTC
21	05020043	3	NUT, PG13, HEX LOCK, NI-BRS, GND-CONN
22	05020053	15	NUT, PG-9, HEX LOCK, NYL
23	05020069	3	NUT, M20x1.5, NYL, GRAY
24	05020070	5	NUT, M25x1.5, NYL, GRAY
25	05020084	4	NUT, 1/2-NPT, NYLON, BLK, UL

BIDGE CONTROL BOX WIRING DUCT BACK PLATE 11010413



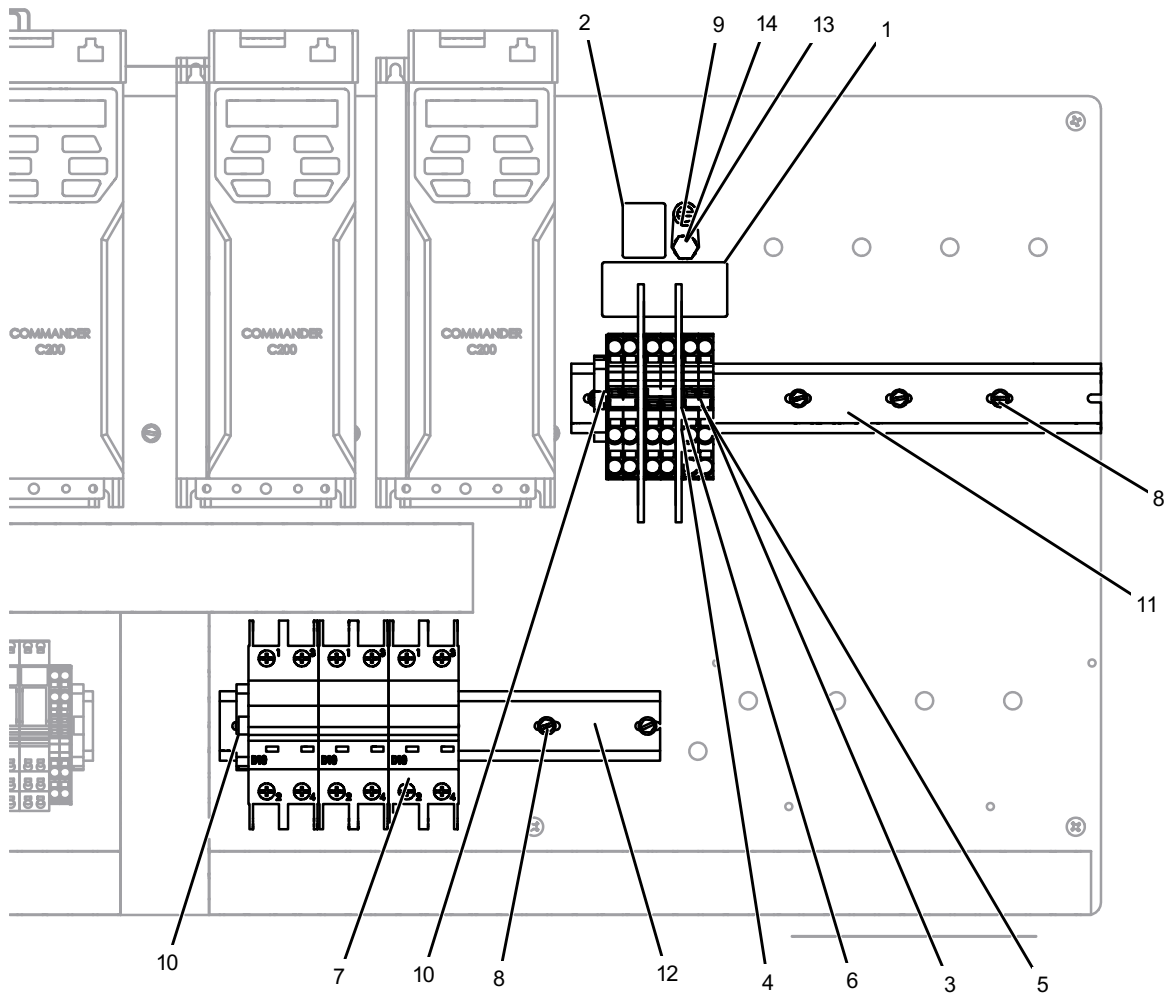
BOM ID	PartNo	Qty	Description
1	06241057	1	PANEL, ELEC, BACK, BRIDGE, AL, LW20
2	05040278	6	SCREW, #10-32x5/16", PRHMS, SST
3	05040408	28	SCREW, #8-32X.5, HWHTCS, ZINC-PLT, ST
4	36215	6	WIRING
5	36220	3	WIRING DUCT 1.5
6	36220-8.00	1	WIRING DUCT 1.5X3.0X8.0 SLOTTED WHITE PVC
7	36221	6	WIRING
8	36230	5	WIRING DUCT 1.5" COVER WHITE PVC

BIDGE CONTROL BOX VFD COMPONENTS 11010413



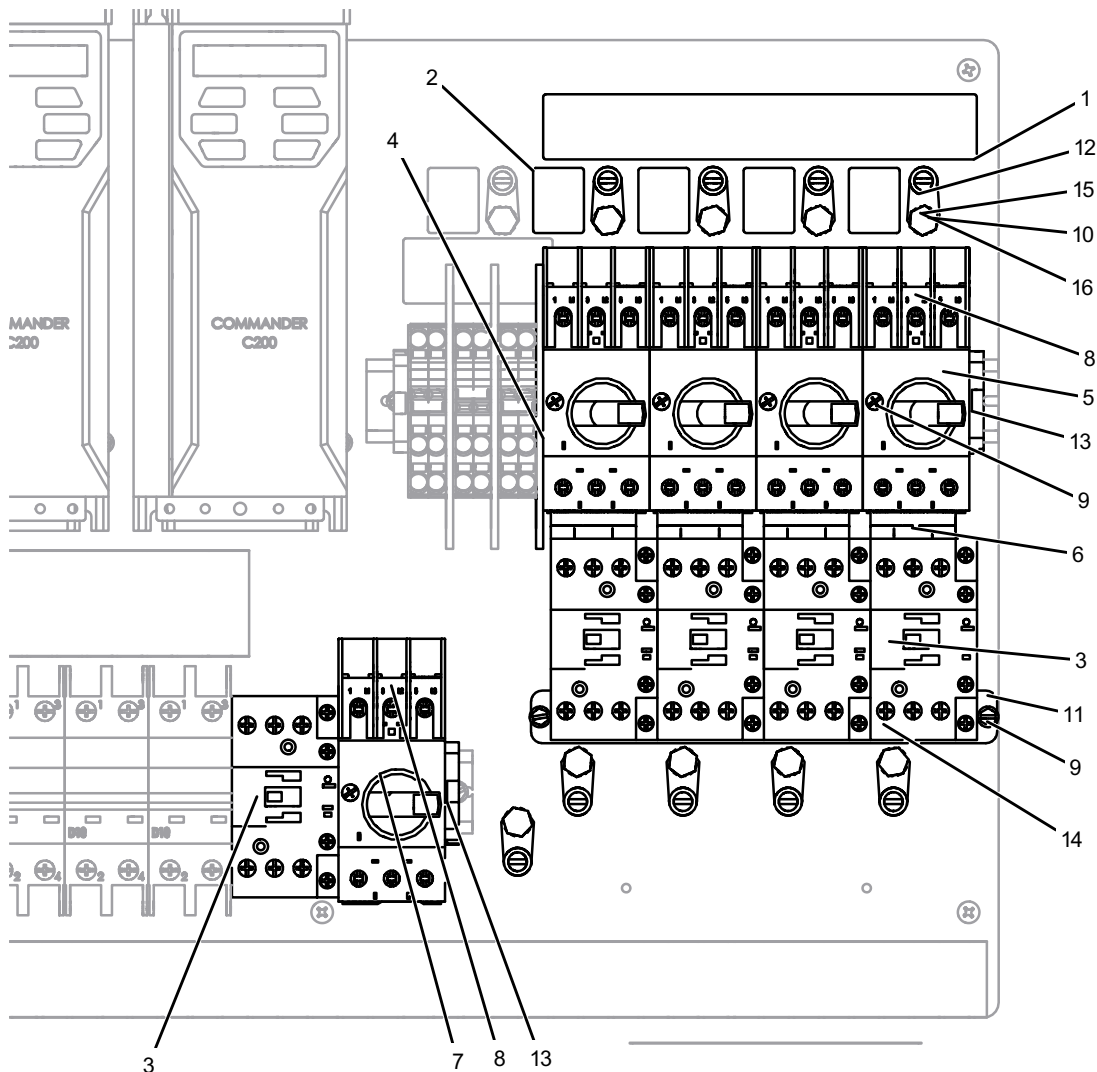
BOM ID	PartNo	Qty	Description
2	04180039	3	FREQUENCY-DRIVE,UM200,3.0HP,480V,3PH
3	04540100	3	MODULE,VFD,INTERFACE,COMM,RS-485,LW360P
4	05040141	6	SCREW,M4x6mm,PPHMS,SST
5	05040408	3	SCREW,#8-32X.5,HWHTCS,ZINC-PLT,ST

BIDGE CONTROL BOX MOTION POWER 11010413



BOM ID	PartNo	Qty	Description
1	02240097L	1	LABEL,SUPPLY,BRIDGE-3W,LW20
2	02240108	1	LABEL,ID,GROUND
3	04100077	3	TERMINAL-JUMPER,ADJACENT,2006,SERIES
4	04100101	2	TERMINAL,SEPARATOR,3mm-WIDTH,ORG
5	04100102	6	TERMINAL-BLOCK,3P,41A,600V,AWG-20-8
6	04100103	3	TERMINAL,END-PLATE,2006-13xx,ORG
7	04110057	3	CIRCUIT-BREAKER,10A,2P,D,240V,UL-489
8	05040408	10	SCREW,#8-32X.5,HWHTCS,ZINC-PLT,ST
9	34900	1	LUG,GROUNDING,14-4GA,COPPER
10	36650	2	END-STOP,6mm,PLST,GRAY,249-116
11	36950-10.50	1	DIN-RAIL,35mmx10.50",AL
12	36950-8.75	1	DIN-RAIL,35mmx8.75",AL
13	70106-HCS	1	SCREW,1/4-20x.50,HHCS,SST
14	71511-EZ	1	WASHER,1/4,STAR,ZP

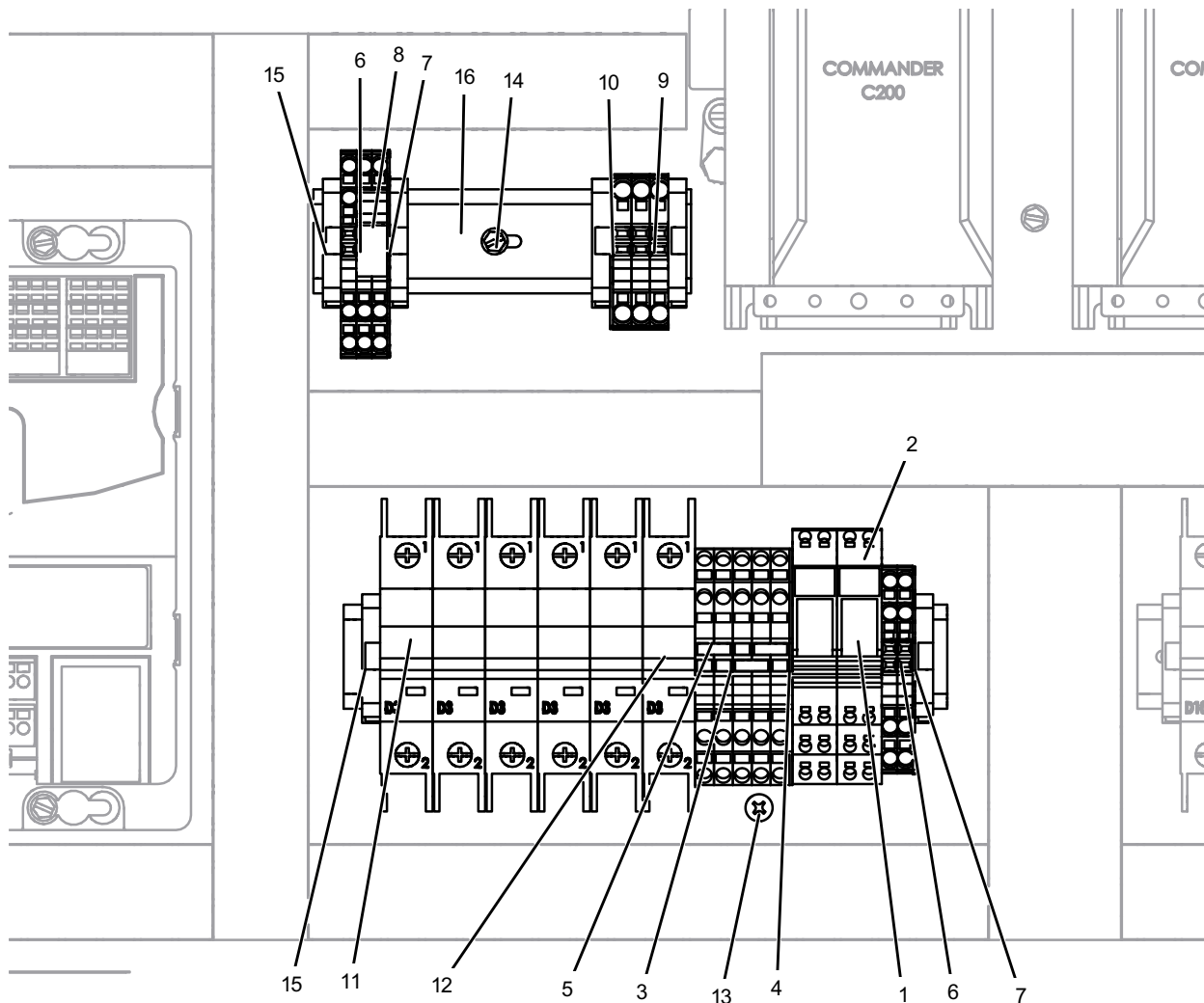
BIDGE CONTROL BOX INTERGRATED DRYER POWER 11010413



BOM ID	PartNo	Qty	Description
1	02240097N	1	LABEL,SUPPLY,INT-DRY-LO,LW20
2	02240108	4	LABEL,ID,GROUND
3	04020032	5	CONTACTOR,25A,24V-50/60HZ,AUX-NO,600V
4	04100101	1	TERMINAL,SEPARATOR,3mm-WIDTH,ORG
5	04110102	4	CIRCUIT-BREAKER,MSP,20-25A,65KA,480V
6	04110104	4	LINK,MODULE,SIZE-S0,MSP-TO-CONTACTOR
7	04110134	1	CIRCUIT-BREAKER,MSP,1.0-1.6A,50KA,600V
8	04110142	5	MSP,PHASE,SEPARATOR,FRAME-SIZE,B
9	05040408	5	SCREW,#8-32X.5,HWHTCS,ZINC-PLT,ST
10	05180020	9	INSERT,NUT,1/4-20,SST,PEM,CLS-0420-2
11	06240905	1	PLATE,MOUNTING,DRYER,CONTACTORS,LW360P
12	34900	9	LUG,GROUNDING,14-4GA,COPPER
13	36650	2	END-STOP,6mm,PLST,GRAY,249-116
14	70033-SCS	4	SCREW,#8-32x.38,PRHMS,SST
15	70106-HCS	9	SCREW,1/4-20x.50,HHCS,SST
16	71511-EZ	9	WASHER,1/4,STAR,ZP

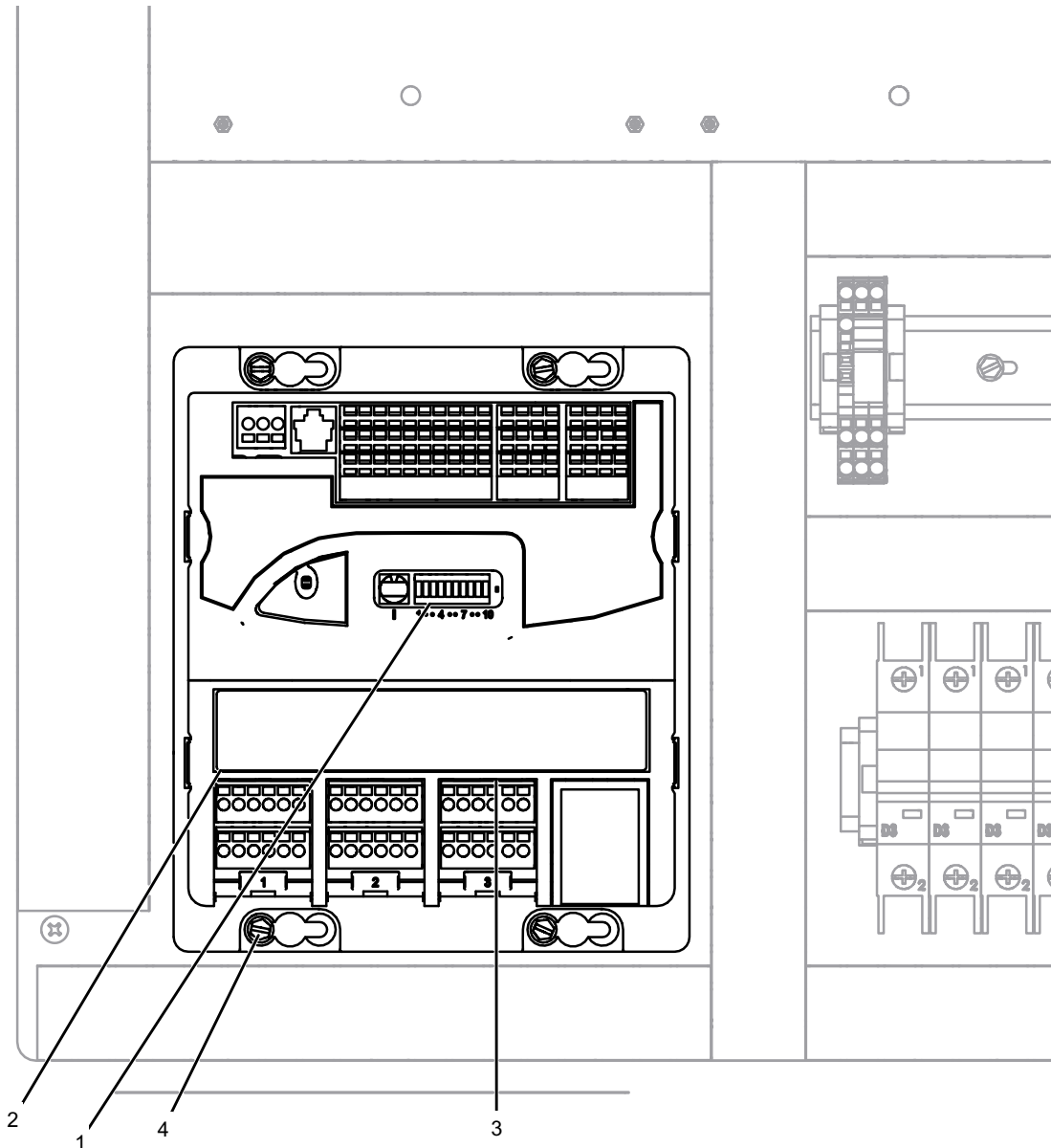
BIDGE CONTROL BOX LOW VOLTAGE TERMINALS

11010413



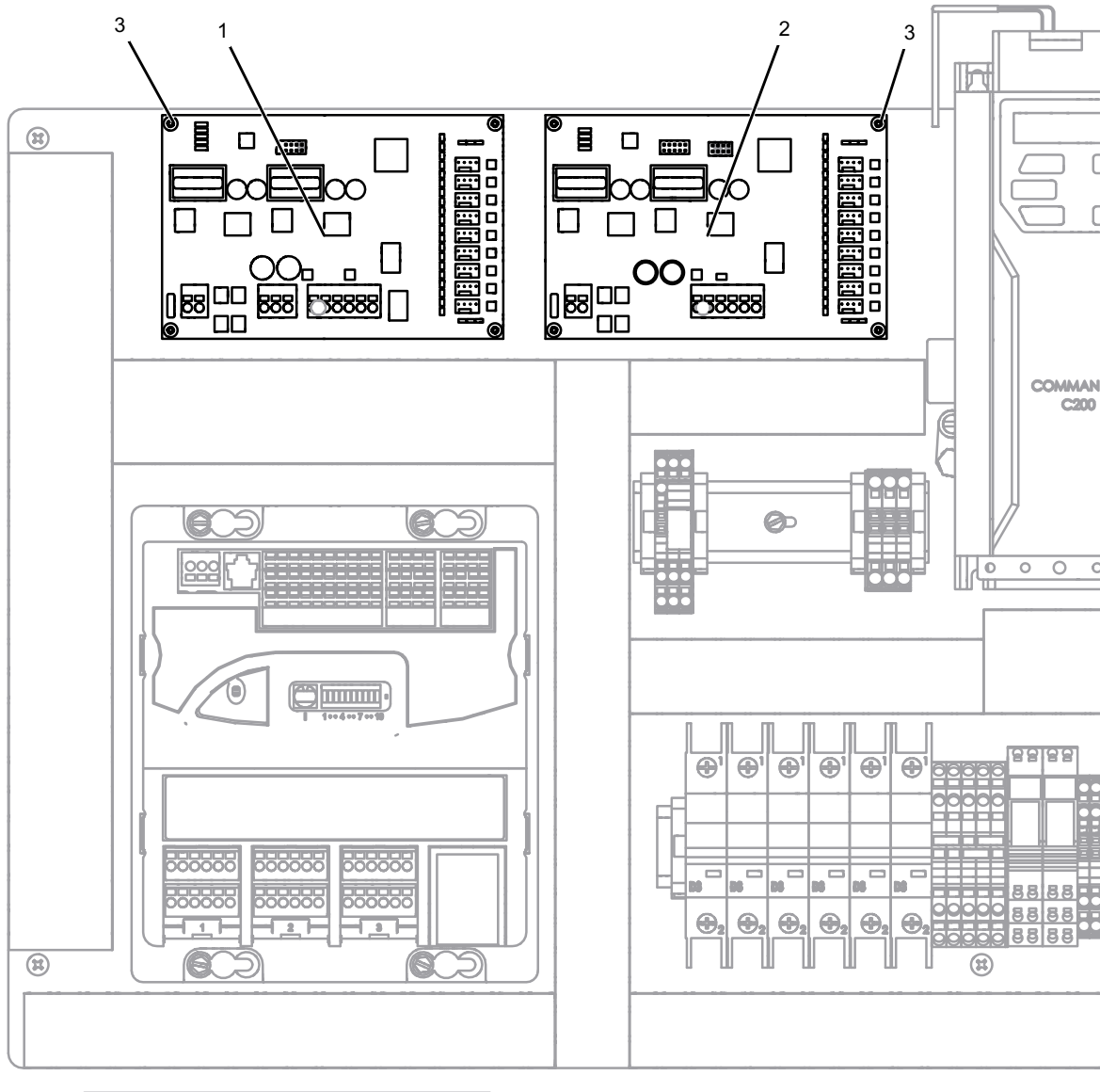
BOM ID	PartNo	Qty	Description
1	04050008	2	RELAY-SOCKET,W-DPDT-RELAY,24VAC,8A
2	04050011	2	RELAY-JUMPER,WAGO,788-SERIES
3	04100050	5	TERMINAL-BLOCK,4P,10-20AWG,30A,GRAY,WAGO
4	04100051	1	TERMINAL-END-BARRIER,ORANGE,4P,WAGO
5	04100052	3	TERMINAL-JUMPER,ADJACENT,WAGO
6	04100105	5	TERMINAL-BLOCK,4P,20A,600V,AWG-22-12
7	04100106	2	TERMINAL,END-PLATE,2002-14xx,ORG
8	04100111	1	TERMINAL,RESISTOR,WAGO-2002,475-OHM
9	04100113	3	TERMINAL-BLOCK,2P,32A,600V,AWG-20-10
10	04100114	1	TERMINAL,END-PLATE,2004-12xx,ORG
11	04110135	6	CIRCUIT-BREAKER,3A,1P,D,240V,UL-489
12	04140005	1	DIN-RAIL,35mmx8.00",AL
13	05040278	1	SCREW,#10-32x5/16",PRHMS,SST
14	05040408	5	SCREW,#8-32X.5,HWHTCS,ZINC-PLT,ST
15	36650	6	END-STOP,6mm,PLST,GRAY,249-116
16	36950-5.00	1	DIN-RAIL,35mmx5.00",AL

BIDGE CONTROL BOX IO MODUAL NODE 11010413



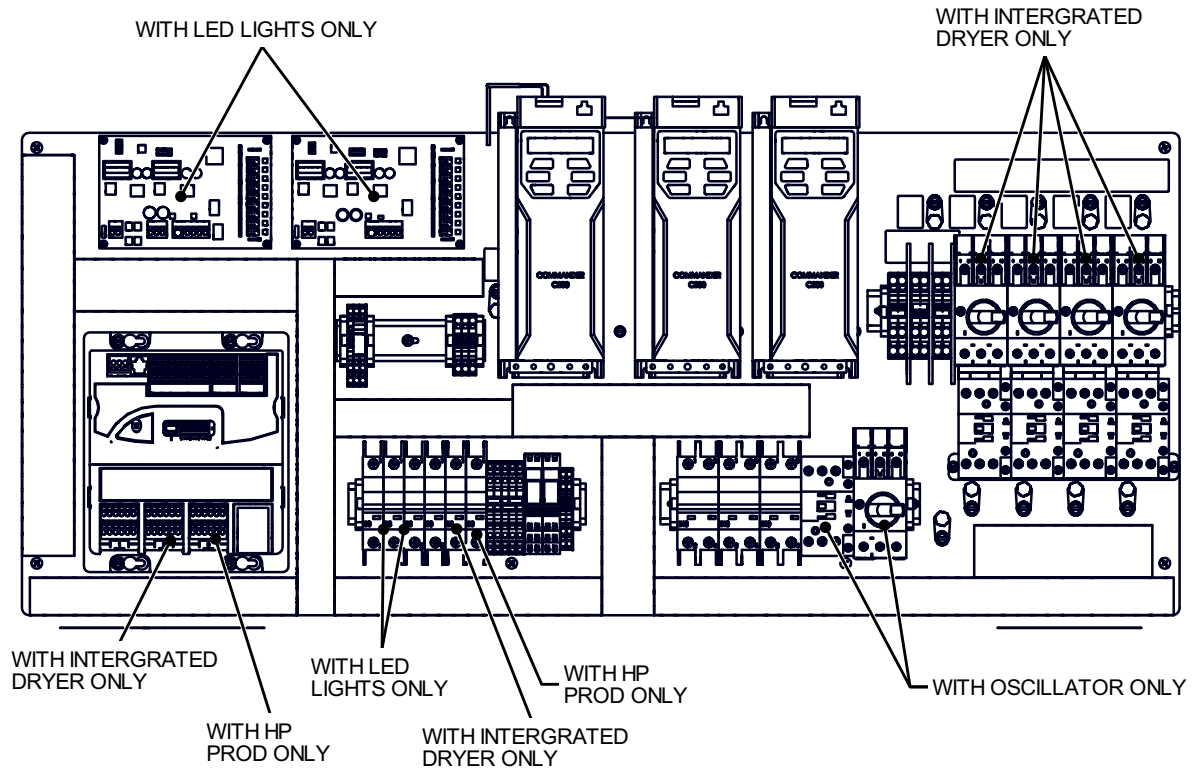
BOM ID	PartNo	Qty	Description
1	11010052	1	NODE,I/O-MODULE,10IN,20OUT,4US,2SERIAL
2	02240097U	1	LABEL,NODE-OUTPUTS,BRIDGE,LW20
3	04580019	3	CIRCUIT-BOARD,OUTPUT,5-RELAY,6A
4	05040408	4	SCREW,#8-32X.5,HWHTCS,ZINC-PLT,ST

BIDGE CONTROL BOX LED LIGHT OPTION 11010413



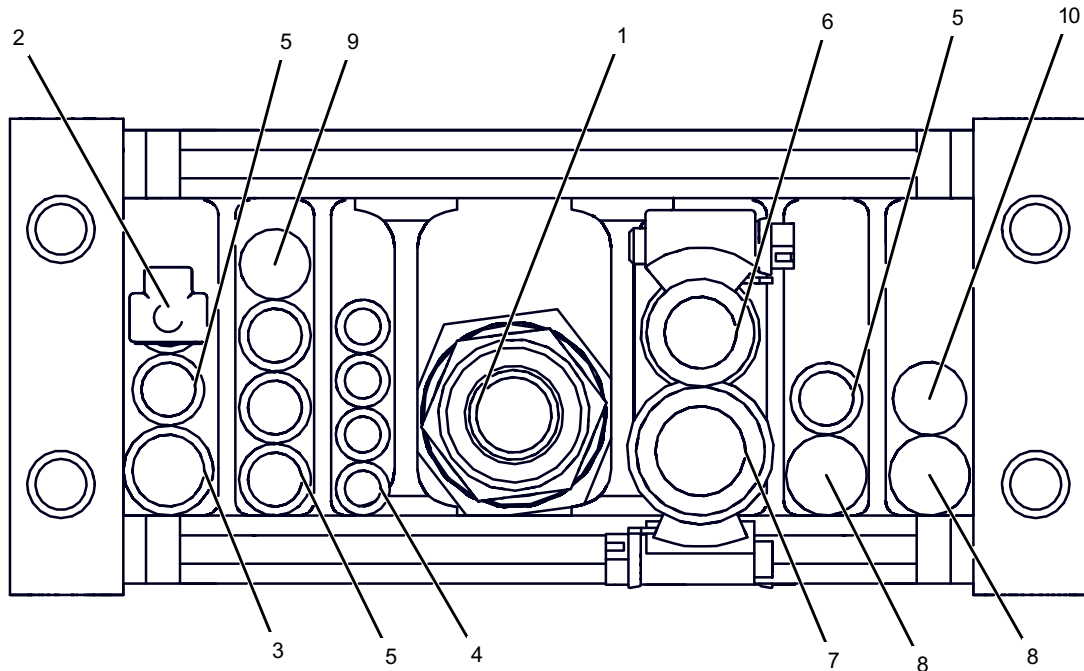
BOM ID	PartNo	Qty	Description
1	04580044	1	CIRCUIT-BOARD,INTERFACE,INFRARED,MDX
2	04580048	1	CIRCUIT-BOARD,CONTROLLER,LED,DMX
3	05040140	8	SCREW,M3x6mm,PPHMS,SST

BIDGE CONTROL BOX 11010413



208-230V WITH 460/575V DRYER

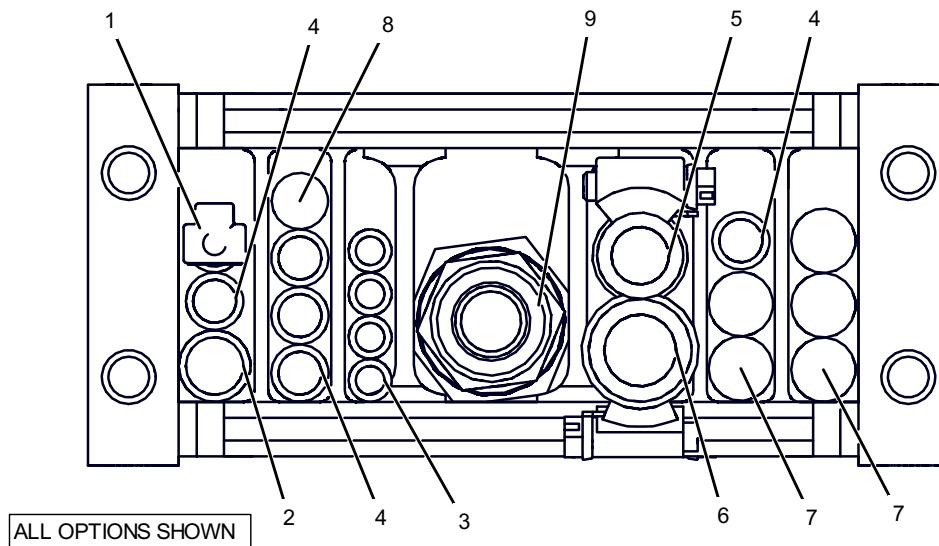
LOADED ECHAIN 50Hz 11190056



ALL OPTIONS SHOWN

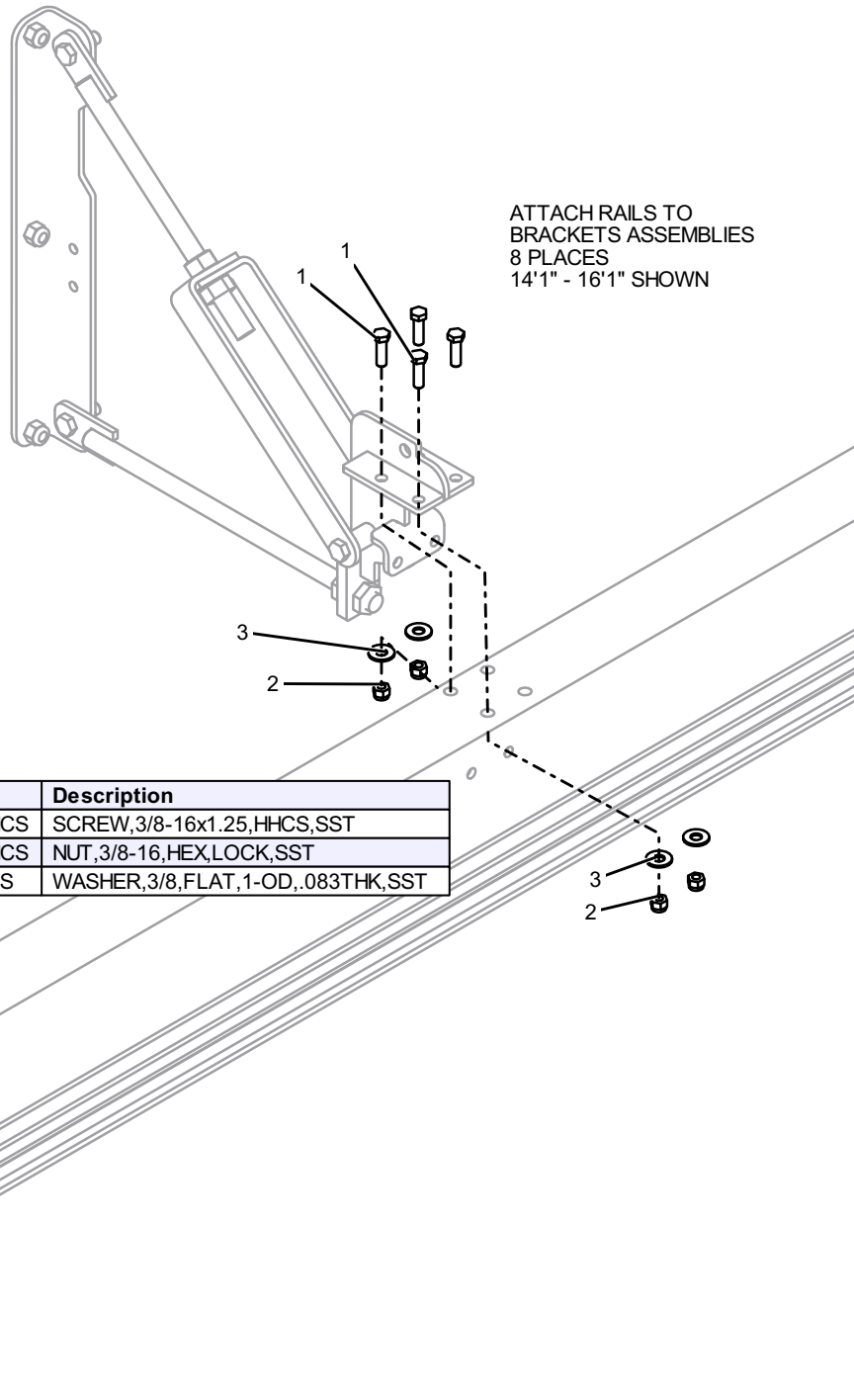
BOM ID	PartNo	Qty	Description
1	03340152	1	HOSE,BRIDGE,HP,3/4",SPIRAL,LW20
2	04080651	1	CABLE,ETHERNET,HIGH-FLEX,,RJ45-ENDS
3	01120012	1	TUBING,5/8ODx.06W,100psi@70F,LLDPE,BLACK
4	01120016	4	TUBING,3/8ODx1/16"WALL,230
5	01120019	5	TUBING,1/2"ODx.06W,150PSI@70°F,LLDPE,BLK
6	01130029	1	HOSE,.50,300PSI,BLUE,PVC-CMPD,SYN-YRN
7	01130030	1	HOSE,.625,200PSI,BLUE,PVC-CMPD,SYN-YRN
8	01140047	2	CABLE,10-4,PVC,301/32-STRD,COP,3BLK,1GRN
9	01140048	1	CABLE,12-4,PVC,512/38-STRD,COP,3BLK,1GRN
10	01140049	1	CABLE,12-5,PVC,56/25-STRD,COP,4BLK,1GRN

LOADED ECHAIN 60Hz 11190053



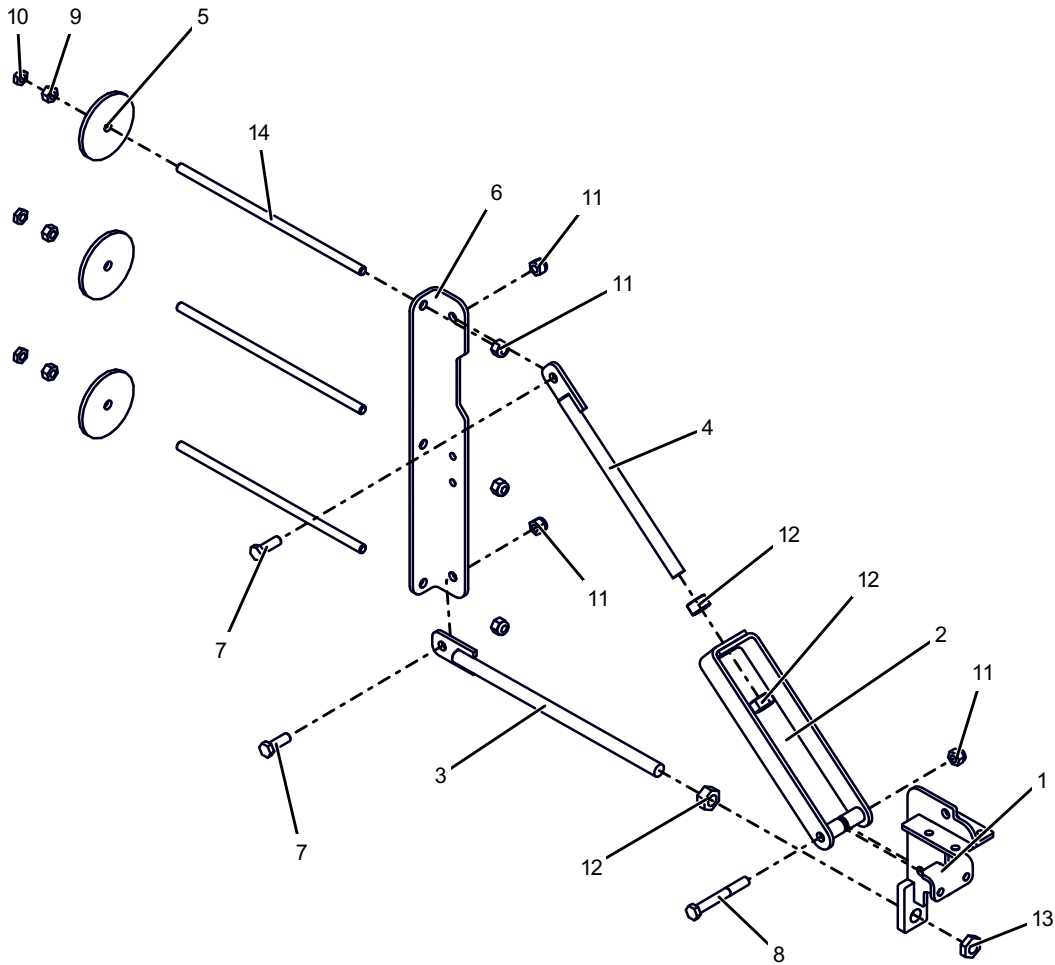
BOM ID	PartNo	Qty	Description
1	04080651	1	CABLE,ETHERNET,HIGH-FLEX,,RJ45-ENDS
2	01120012	1	TUBING,5/8ODx.06W,100psi@70F,LLDPE,BLACK
3	01120016	4	TUBING,3/8ODx1/16"WALL,230
4	01120019	5	TUBING,1/2"ODx.06W,150PSI@70°F,LLDPE,BLK
5	01130029	1	HOSE,,.50,300PSI,BLUE,PVC-CMPD,SYN-YRN
6	01130030	1	HOSE,,.625,200PSI,BLUE,PVC-CMPD,SYN-YRN
7	01140047	5	CABLE,10-4,PVC,
8	01140048	1	CABLE,12-4,PVC,512/38-STRD,COP,3BLK,1GRN
9	03340152	1	HOSE,BRIDGE,HP,3/4",SPIRAL,LW20

FRAME KIT WALL MOUNT BRACKET TO FRAME MOUNTING 09050055



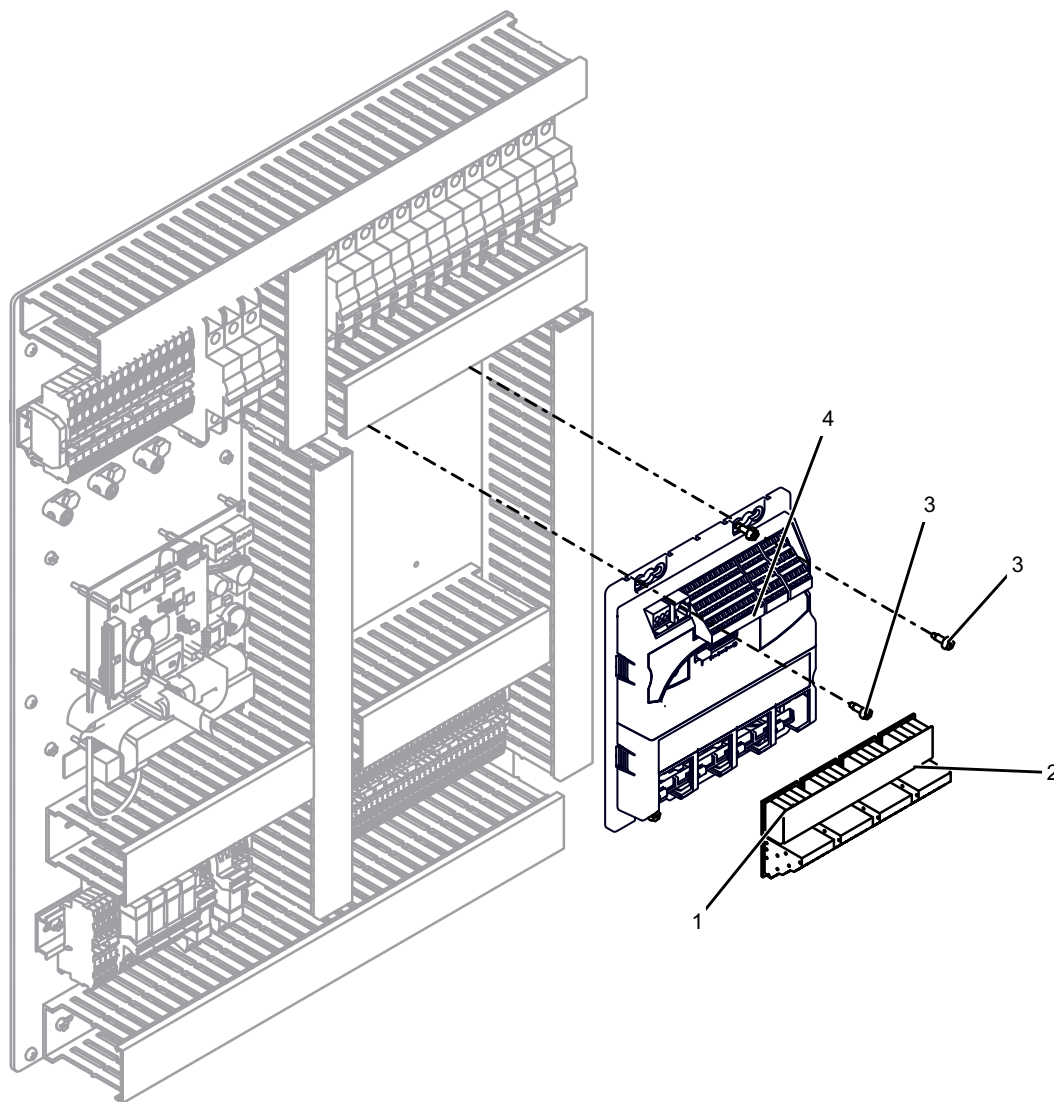
BOM ID	Qty	PartNo	Description
1	4	70181-HCS	SCREW, 3/8-16x1.25, HHCS, SST
2	4	71013-NCS	NUT, 3/8-16, HEX, LOCK, SST
3	4	71513-FS	WASHER, 3/8, FLAT, 1-OD, .083THK, SST

FRAME,KIT,WALL-MOUNT,14-1 16-1 LW20 09050055



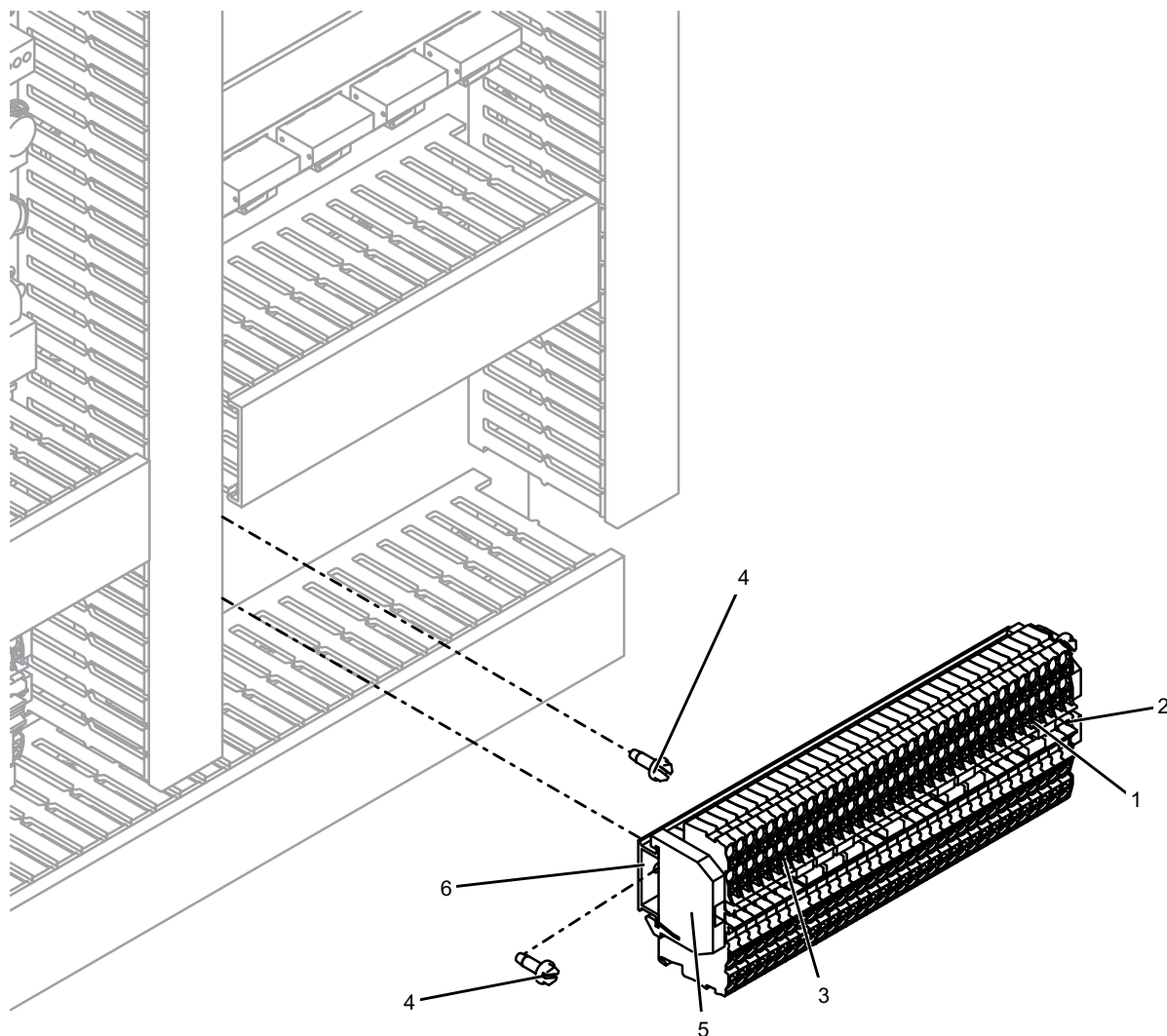
BOM ID	Qty	PartNo	Description
1	1	06140880	BRACKET,RAIL-ATTACH,WALL-MTG,SST
2	1	M310093-S	BRACKET,RAIL-SUPPORT,WALL-MOUNT,SST
3	1	M390122-S	TIE-ROD,3/4NCx16.75,RAIL-MOUNT,SST
4	1	M390124-S	TIE-ROD,3/4NCx14.62,RAIL-MOUNT,SST
5	3	06240952	PLATE,BACKING,WALL-MNT,1/2"-RD,SST
6	1	06270117	ANGLE,WALL-MNT,NORMAL-BAY,SST
7	2	70257-HCS	SCREW,1/2-13x1.50,HHCS,SST
8	1	70267-HCS	SCREW,1/2-13x4.00,HHCS,SST
9	3	71015-HCS	NUT,1/2-13,HEX,SST
10	3	71015-JCS	NUT,1/2-13,HEX,JAM,SST
11	6	71015-NCS	NUT,1/2-13,HEX,LOCK,SST
12	3	71018-HCS	NUT,3/4-10,HEX,SST
13	1	71018-JCS	NUT,3/4-10,HEX,JAM,SST
14	3	M390020-S	THREADED-ROD,1/2-13x14.00,SST

ADV BAY CONTROL BOX NODE COMPONENTS 11010421



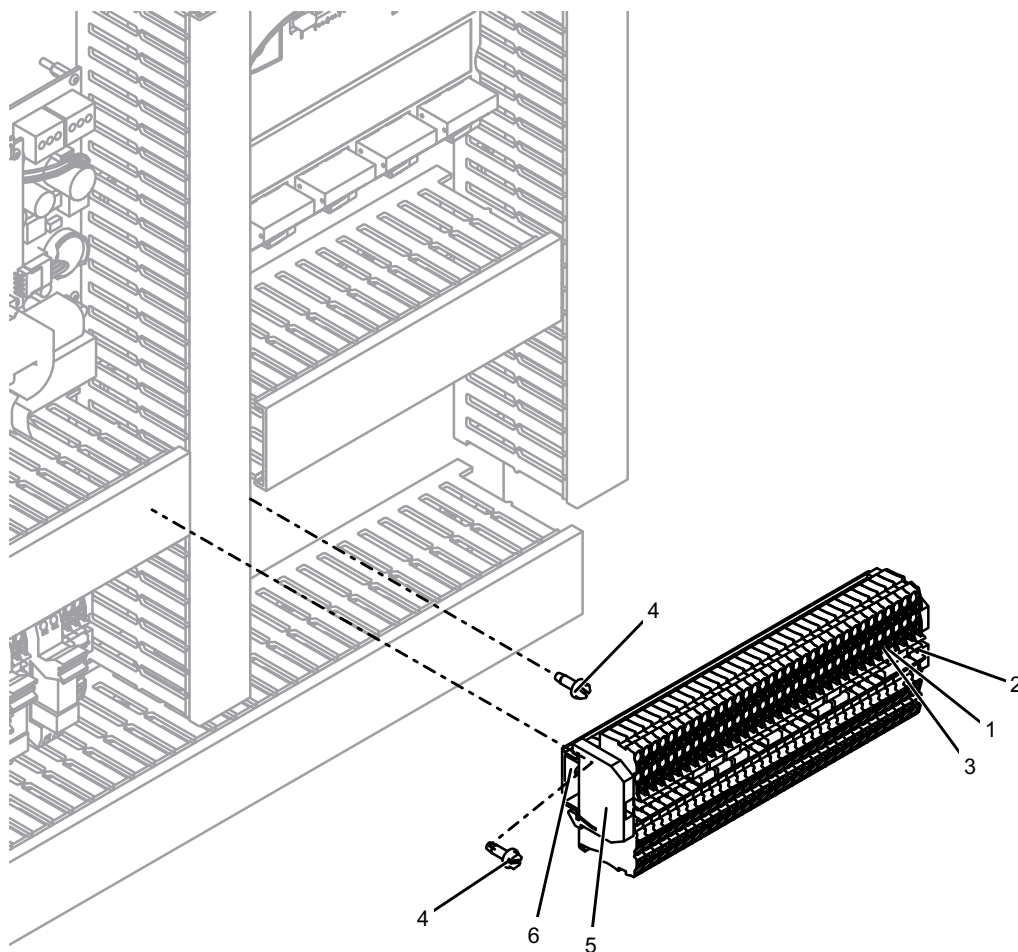
BOM ID	PartNo	Qty	Description
1	02240098L	1	LABEL,NODE-OUTPUTS,BAY,LW20
2	04580026	4	CIRCUIT-BOARD,OUTPUT,5-RELAY,6A,MULTI-PH
3	05040408	5	SCREW,#8-32X.5,HWHTCS,ZINC-PLT,ST
4	11010052	1	NODE,I/O-MODULE,10IN,20OUT,4US,2SERIAL

ADV BAY CONTROL BOX FIELD LOWER RIGHT FIELD WIRING TERMINALS 11010421



BOM ID	PartNo	Qty	Description
1	04100105	34	TERMINAL-BLOCK,4P,20A,600V,AWG-22-12
2	04100106	1	TERMINAL,END-PLATE,2002-14xx,ORG
3	04100107	13	TERMINAL-JUMPER,ADJACENT,2002,SERIES
4	05040408	6	SCREW,#8-32X.5,HWHTCS,ZINC-PLT,ST
5	36650	2	END-STOP,6mm,PLST,GRAY,249-116
6	36950-7.50	1	DIN-RAIL,35mmx7.50",AL

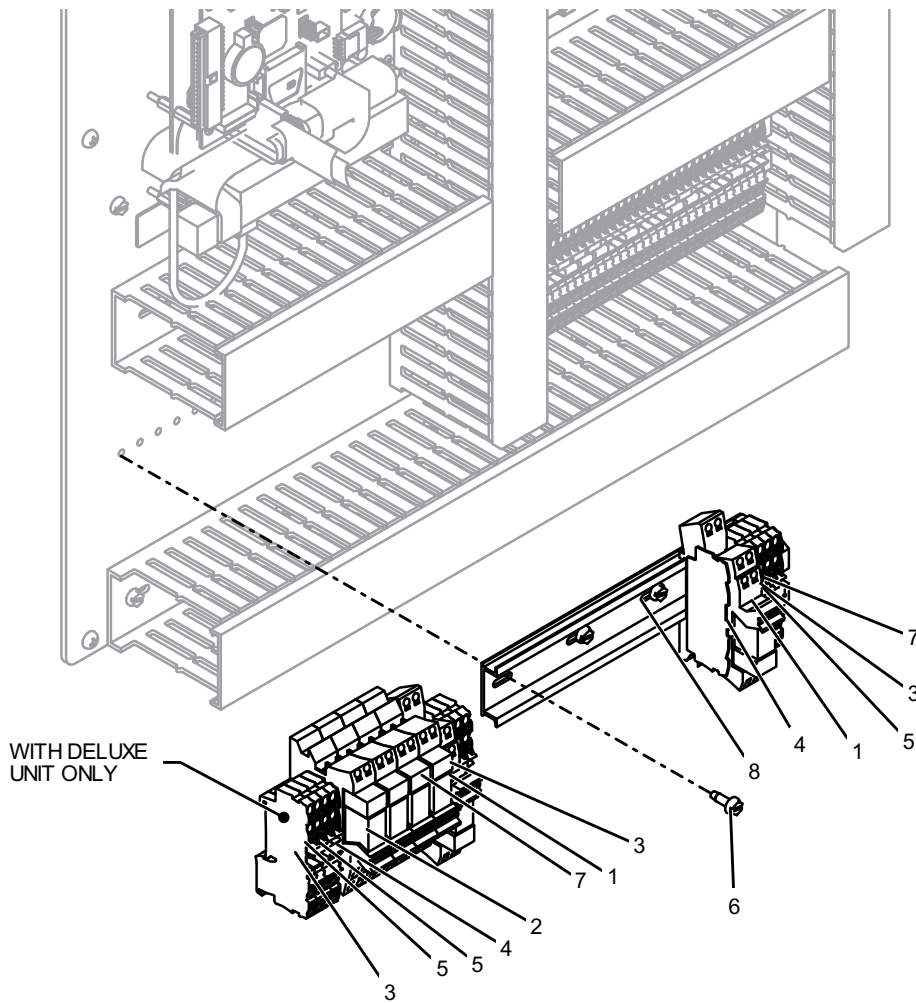
ADV BAY CONTROL BOX LOWER RIGHT FIELD WIRING TERMINALS 11010421



BOM ID	PartNo	Qty	Description
1	04100105	34	TERMINAL-BLOCK,4P,20A,600V,AWG-22-12
2	04100106	1	TERMINAL,END-PLATE,2002-14xx,ORG
3	04100107	13	TERMINAL-JUMPER,ADJACENT,2002,SERIES
4	05040408	5	SCREW,#8-32X.5,HWHTCS,ZINC-PLT,ST
5	36650	2	END-STOP,6mm,PLST,GRAY,249-116
6	36950-7.50	1	DIN-RAIL,35mmx7.50",AL

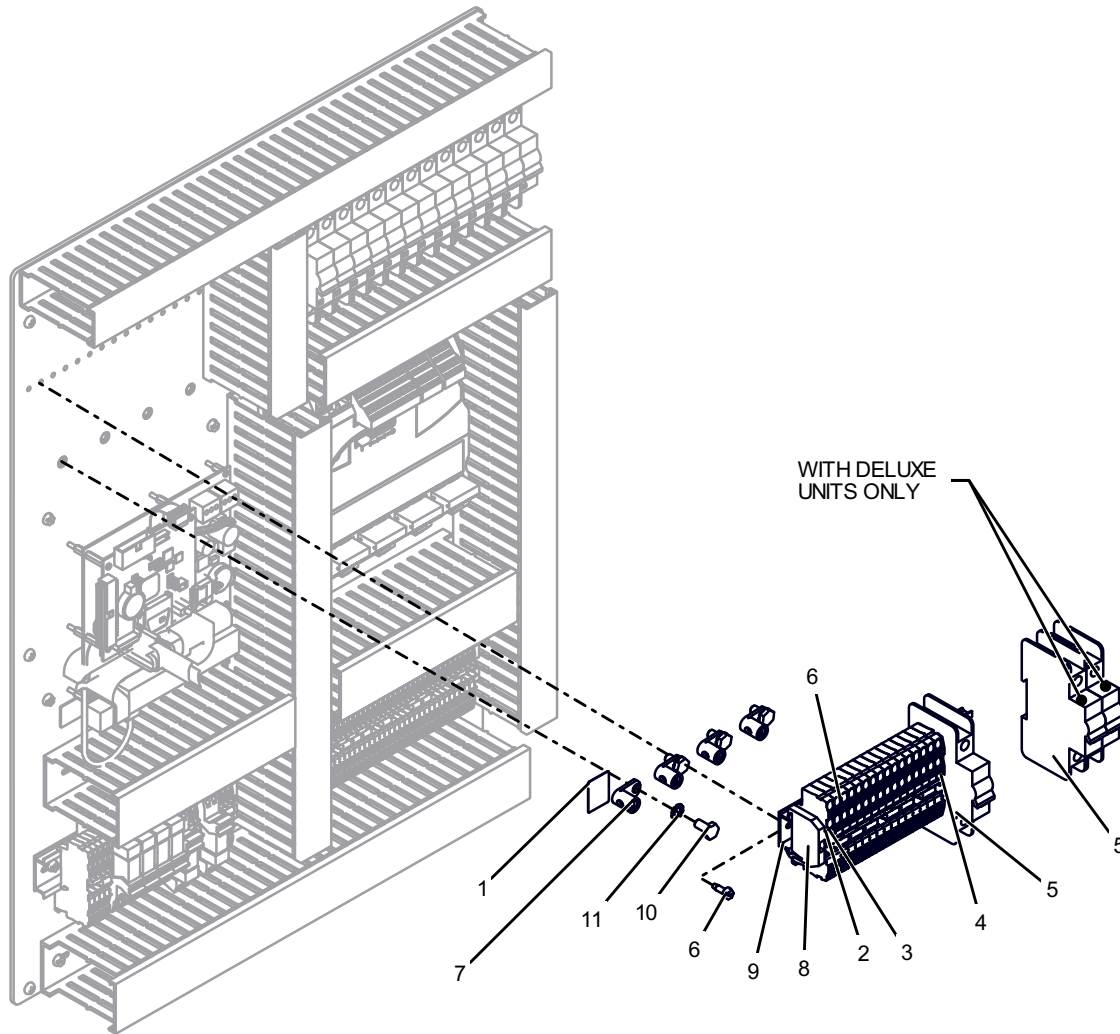
ADV BAY CONTROL BOX LOWER LEFT TERMINALS

11010421



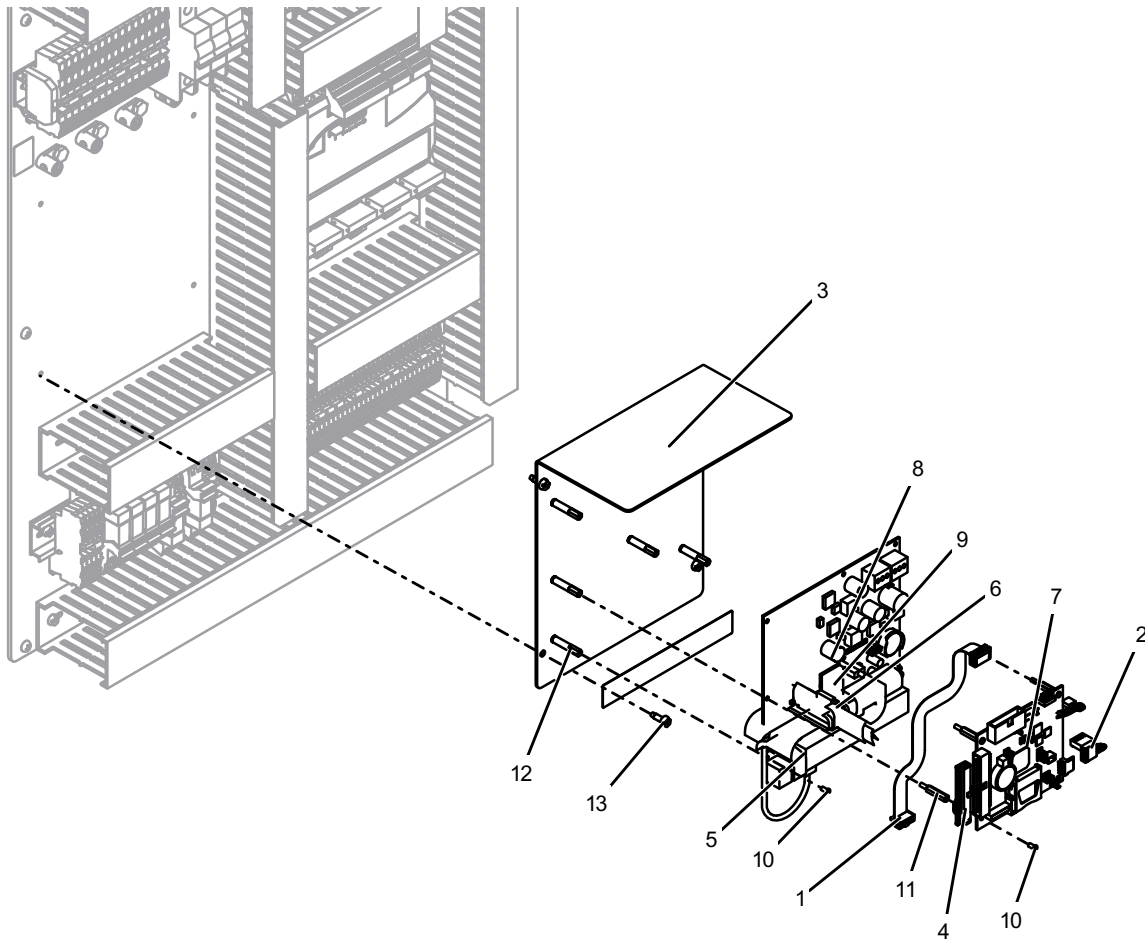
BOM ID	PartNo	Qty	Description
1	04050008	2	RELAY-SOCKET,W-DPDT-RELAY,24VAC,8A
2	04050010	4	RELAY-SOCKET,W-DPDT-RELAY,12VDC,8A
3	04100105	11	TERMINAL-BLOCK,4P,20A,600V,AWG-22-12
4	04100106	3	TERMINAL-END-PLATE,2002-14xx,ORG
5	04100107	4	TERMINAL-JUMPER,ADJACENT,2002,SERIES
6	05040408	4	SCREW,#8-32X.5,HWHTCS,ZINC-PLT,ST
7	36650	2	END-STOP,6mm,PLST,GRAY,249-116
8	36950-7.00	1	DIN-RAIL,35mmx7.00",AL

ADV BAY CONTROL BOX UPPER RIGHT TERMINALS 11010421



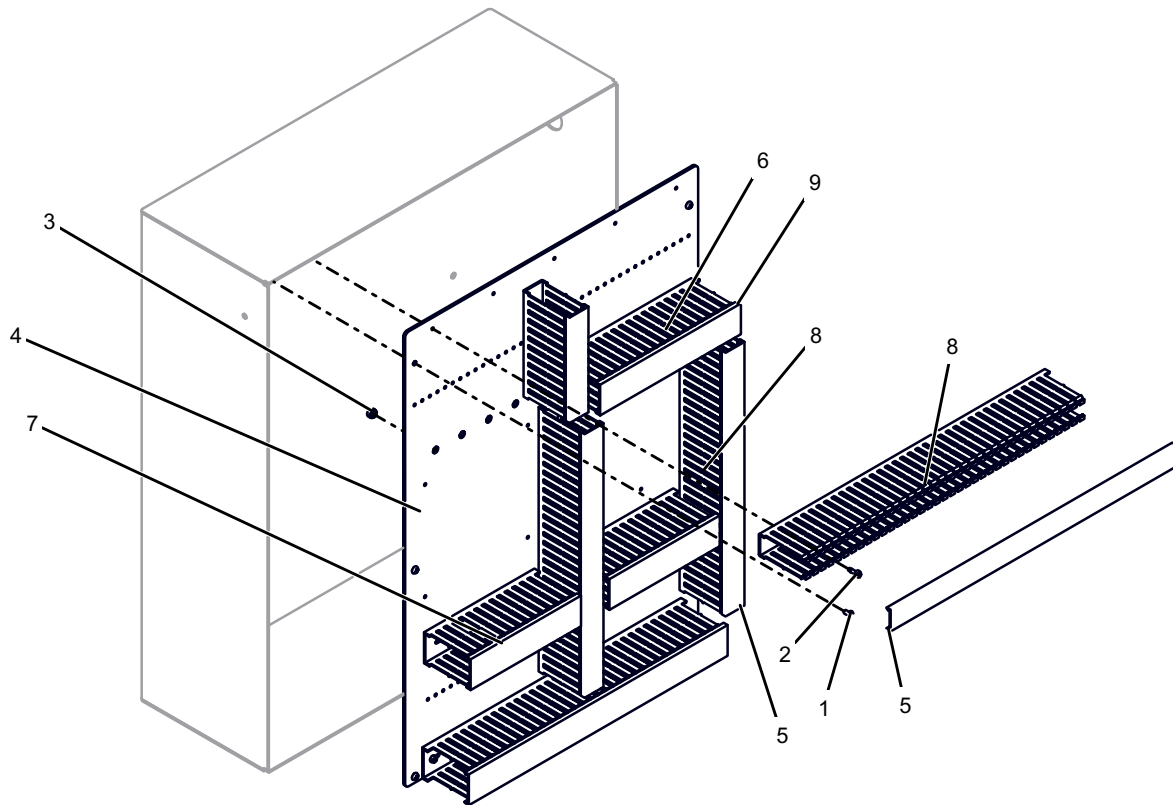
BOM ID	PartNo	Qty	Description
1	02240108	1	LABEL, ID, GROUND
2	04100077	13	TERMINAL-JUMPER, ADJACENT, 2006, SERIES
3	04100102	16	TERMINAL-BLOCK, 3P, 41A, 600V, AWG-20-8
4	04100103	1	TERMINAL, END-PLATE, 2006-13xx, ORG
5	04110138	3	CIRCUIT-BREAKER, 20A, 1P, D, 240V, UL-489
6	05040408	4	SCREW, #8-32X.5, HWHTCS, ZINC-PLT, ST
7	34900	4	LUG, GROUNDING, 14-4GA, COPPER
8	36650	2	END-STOP, 6mm, PLST, GRAY, 249-116
9	36950-7.50	1	DIN-RAIL, 35mmx7.50", AL
10	70106-HCS	4	SCREW, 1/4-20x.50, HHCS, SST
11	71511-EZ	4	WASHER, 1/4, STAR, ZP

ADV BAY CONTROL BOX CONDUCTOR 11010466 11010421



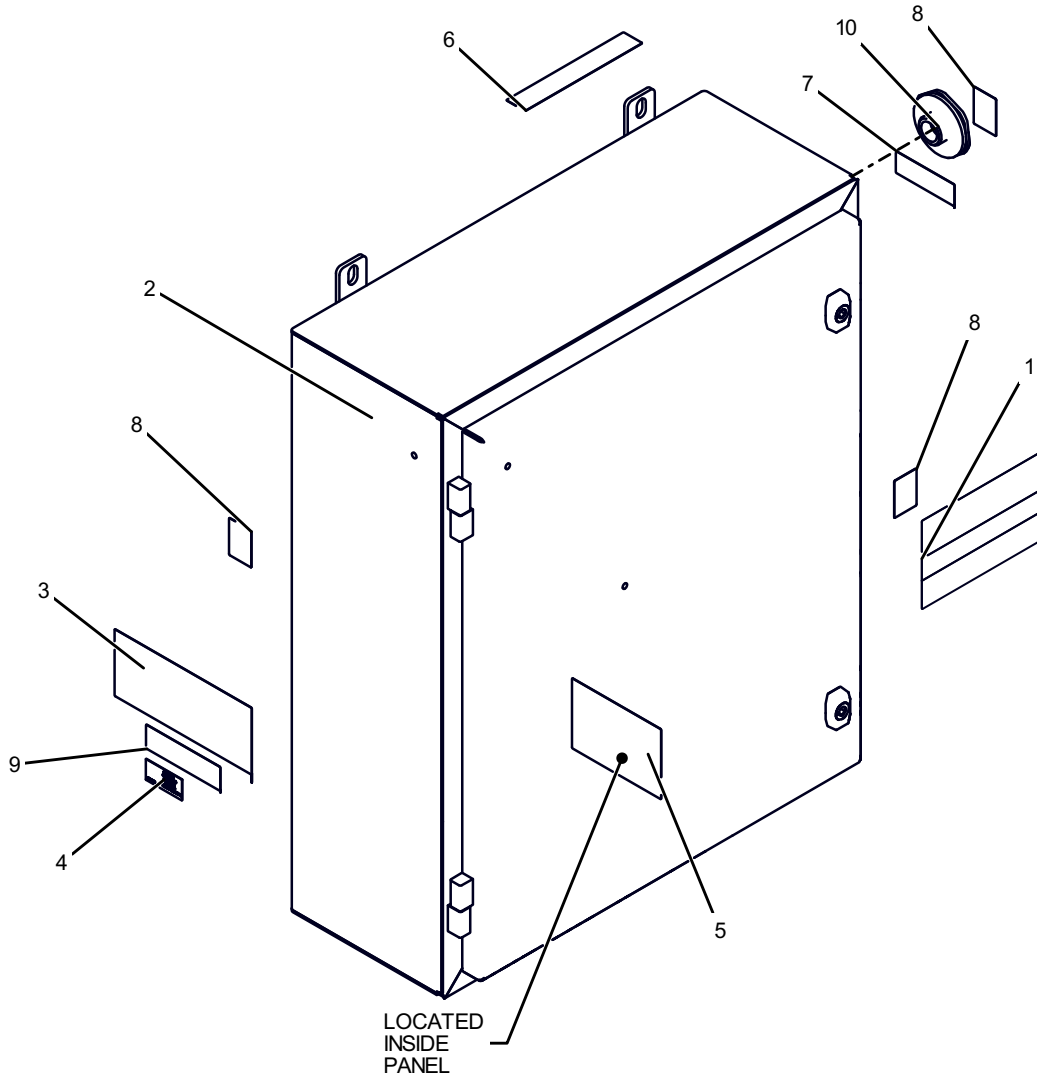
BOM ID	PartNo	Qty	Description
1	04080080	1	HARNESS, CONDUCTOR-TO-HUB, USB, M5/G5
2	04080082	1	HARNESS, CONDUCTOR-TO-HUB, POWER, M5/G5
3	04090193	1	ENCLOSURE-PANEL, CONDUCTOR, BAY-BOX, LW20
4	04080084	1	HARNESS, CONDUCTOR-TO-HUB, SERIAL, M5/G5
5	04080243	1	HARNESS, CONDUCTOR-TO-HUB, ETHERNET
6	04080323	1	CABLE, AUDIO, TITAN-CONTROLLER, M5/TDM/LW
7	04430025	1	CONTROLLER, SGL-BRD, TITAN, UNPROGRAMMED
8	04580024	1	CIRCUIT-BOARD, COMM-HUB/POWER-SUPPLY
9	04610024	1	CARD, MEMORY, SD
10	05040140	7	SCREW, M3x6mm, PPHMS, SST
11	05130014	4	STAND-OFF, M3x20mm, HEX, BRS
12	05130043	7	STAND-OFF, M3x10mm, HEX, NYLON
13	05040408	4	SCREW, #8-32X.5, HWHTCS, ZINC-PLT, ST

ADV BAY CONTROL BOX BACK PANEL WIRING DUCT 11010421



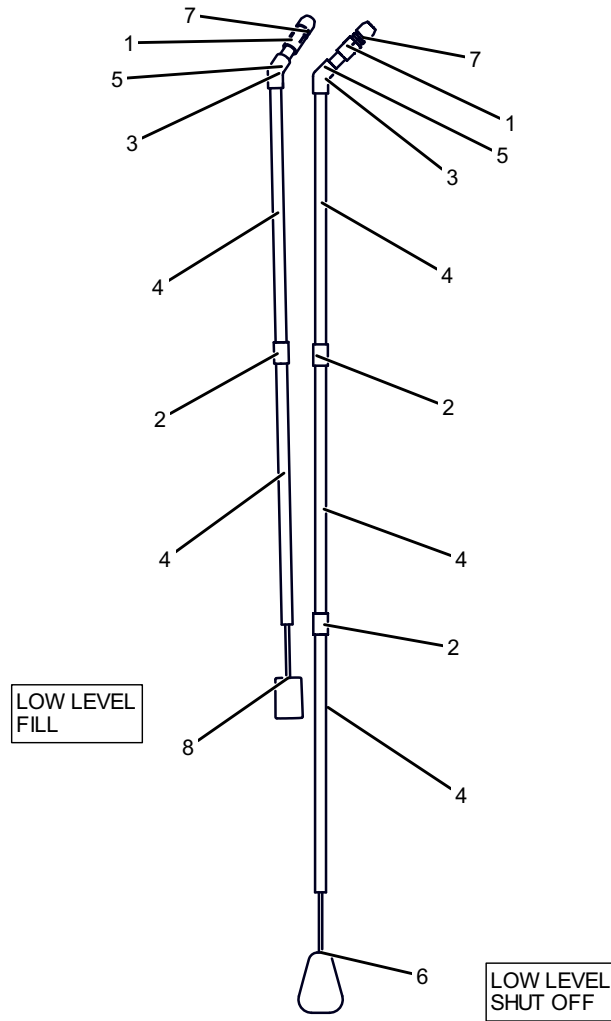
BOM ID	PartNo	Qty	Description
1	05040278	6	SCREW,#10-32x5/16",PRHMS,SST
2	05040408	24	SCREW,#8-32X.5,HWH TCS,ZINC-PLT,ST
3	05180020	4	INSERT,NUT,1/4-20,SST,PEM,CLS-0420-2
4	06241064A	1	PANEL,ELEC,BACK,BAY-BOX,AL,LW20,LASERCUT
5	36215	4	WIRING
6	36220	2	WIRING DUCT 1.5
7	36220-8.00	2	WIRING DUCT 1.5X3.0X8.0 SLOTTED WHITE PVC
8	36221	4	WIRING
9	36230	4	WIRING DUCT 1.5" COVER WHITE PVC

BAY CONTROL BOX CABINET LABELS 11010421



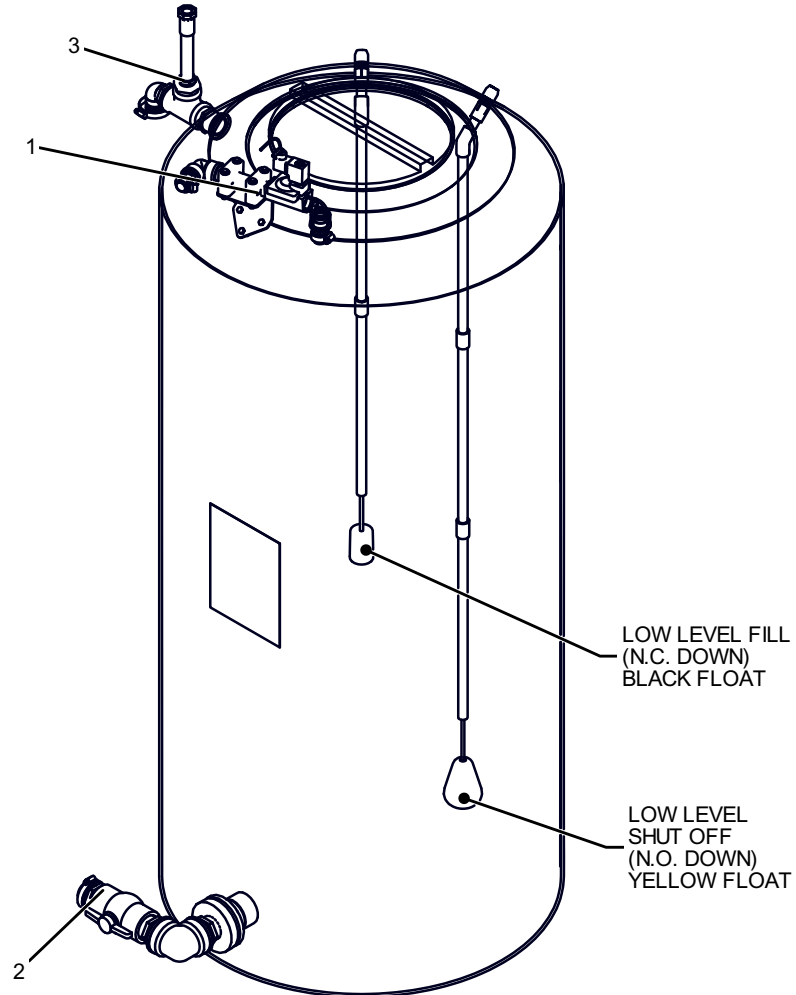
BOM ID	PartNo	Qty	Description
1	02240098B	1	LABEL,MULTIPLE-WARNING,BAY,LW20
2	04090191	1	ENCLOSURE,BAY-BOX,ELECTRIC,AL,LW20/TS
3	02220026	1	LABEL-RATING,BAY,LW20
4	02240012	1	LABEL,ETL,UL508A,CSA22.2NO14-95
5	02240098A	1	LABEL,FIELD-WIRING,BAY,LW20
6	02240107	1	LABEL,NOTICE,DO-NOT-DRILL-TOP
7	02240109	1	LABEL,NOTICE,VENT-DO-NOT-REMOVE
8	02240110	3	LABEL,INFO,THIS-SIDE-UP
9	02240112	1	LABEL,INFO,CE-WITH-AUTH-REP
10	03160018	1	VENT,M32X1.5,POLYCARBONATE,GORE

RO REJECT WATER FLOAT SWOTCH ASSEMBLIES 09220048



BOM ID	PartNo	Qty	Description
1	03070046	2	COUPLING, 1/2FNPTx1/2SKT, SCH40, PVC
2	03070047	3	COUPLING, 1/2", SxS, SCH40, PVC
3	03070048	2	ELBOW, 1/2", 45DEG, SLIPxSLIP, SCH40, PVC
4	03270020	5	PIPE, 1/2IPS, SC40, 19.875", PVC
5	03270066	2	PIPE, 1/2IPS, SCH40, 2.00", PVC
6	04040034	1	SWITCH, FLOAT, TANK, LOW, LEVEL, NO, 10A
7	36415	2	STRAIN RELIEF 1/2 .31-.56"CORD, PLASTIC
8	81012	1	SWITCH, FLOAT, 10FT-CORD, NC, 1AMP

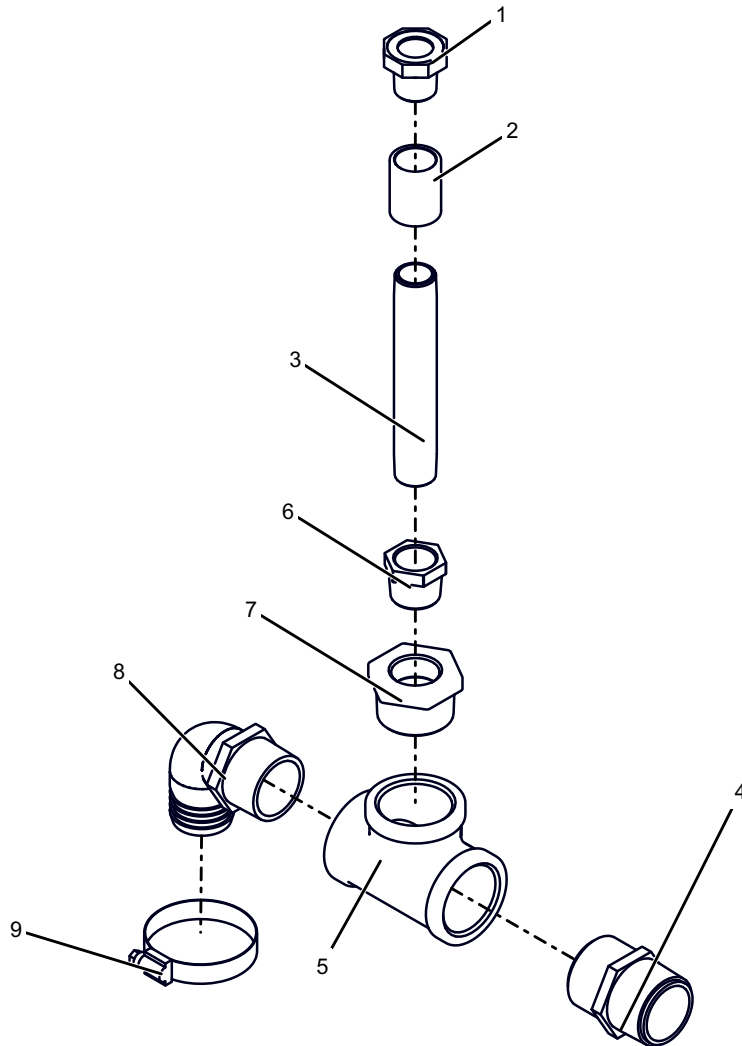
RO REJECT WATER REUSE SYSTEM 09220048



09220048 - WITHOUT TANK
09220049 - INCLUDES 300 GALLON TANK

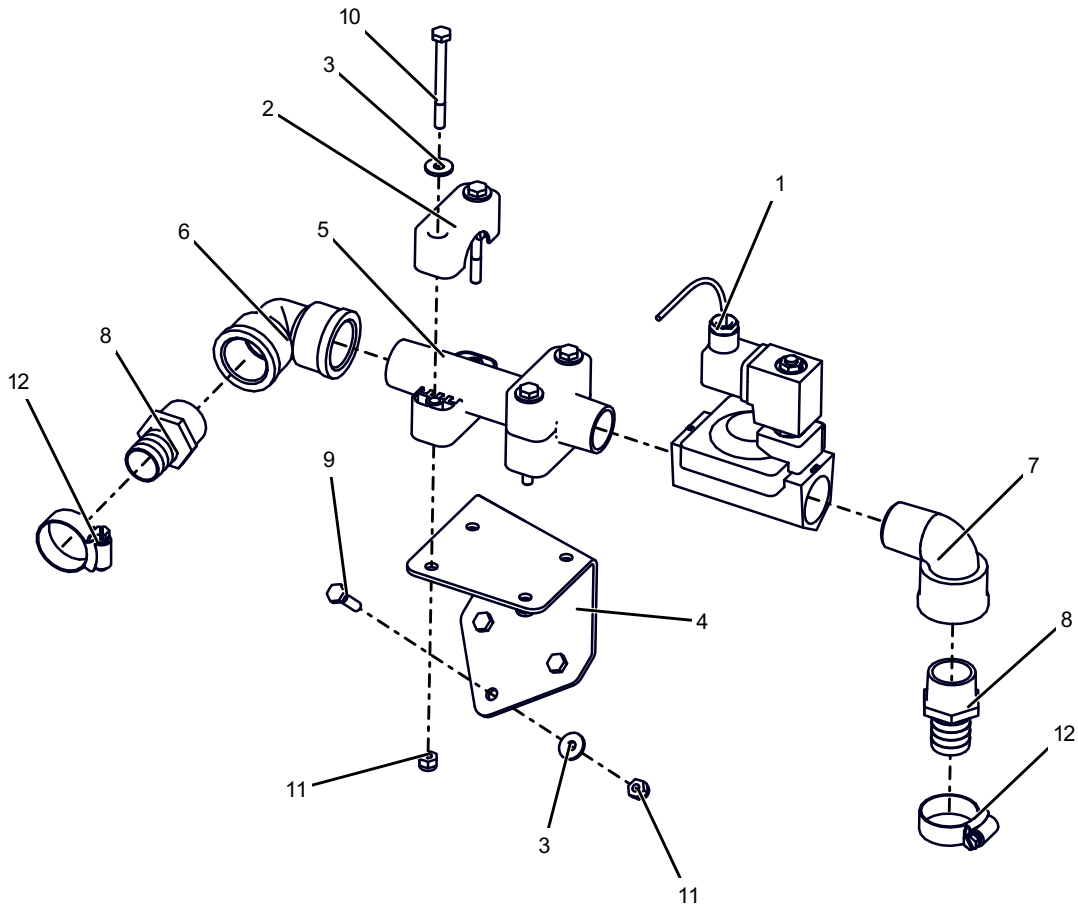
BOM ID	PartNo	Qty	Description
1	11030145	1	VALVE,INLET,TANK,RO-REJ-RECLAIM,ASSY
2	11030146	1	VALVE,OUTLET,TANK,RO-REJ-RECLAIM,ASSY
3	11030147	1	VALVE,OVERFLOW,TANK,RO-REJ-RECLAIM,ASSY

RO REJECT OVERFLOW 11030147



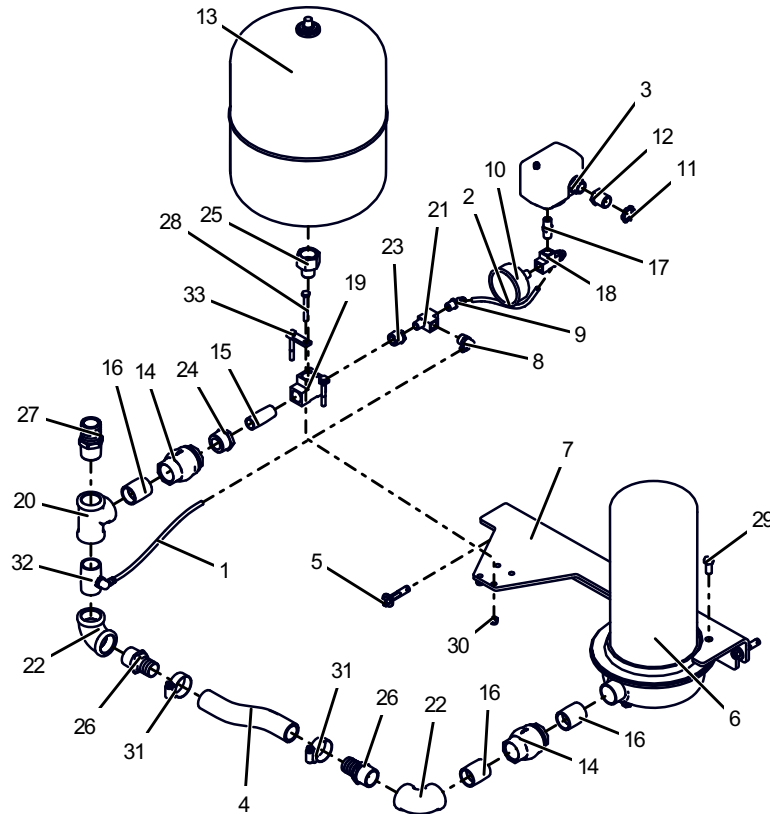
BOM ID	PartNo	Qty	Description
1	03010157	1	VALVE,AUTO-DRAIN,3/4MNPT,PLSTC
2	03070044	1	COUPLING,3/4NPT,SCHED40,PVC
3	67014-I8P	1	NIPPLE,3/4NPTx6.00,SC80,PVC
4	67069-4N	1	NIPPLE,HEX,1-1/2NPT,NYL
5	67131-4N	1	TEE,1-1/2NPT,PIPE,SC40,PVC
6	67714-N	1	BUSHING,1NPTx3/4NPT,NYL
7	67725-N	1	BUSHING,1-1/2NPTx1NPT,NYL
8	68341-MHN	1	HOSE-BARB,1-1/2Hx1-1/2MNPT,90°,NYL
9	75109	1	CLAMP,HOSE,#36,2.00H,SST

RO REUSE INLET VALVE 11030145



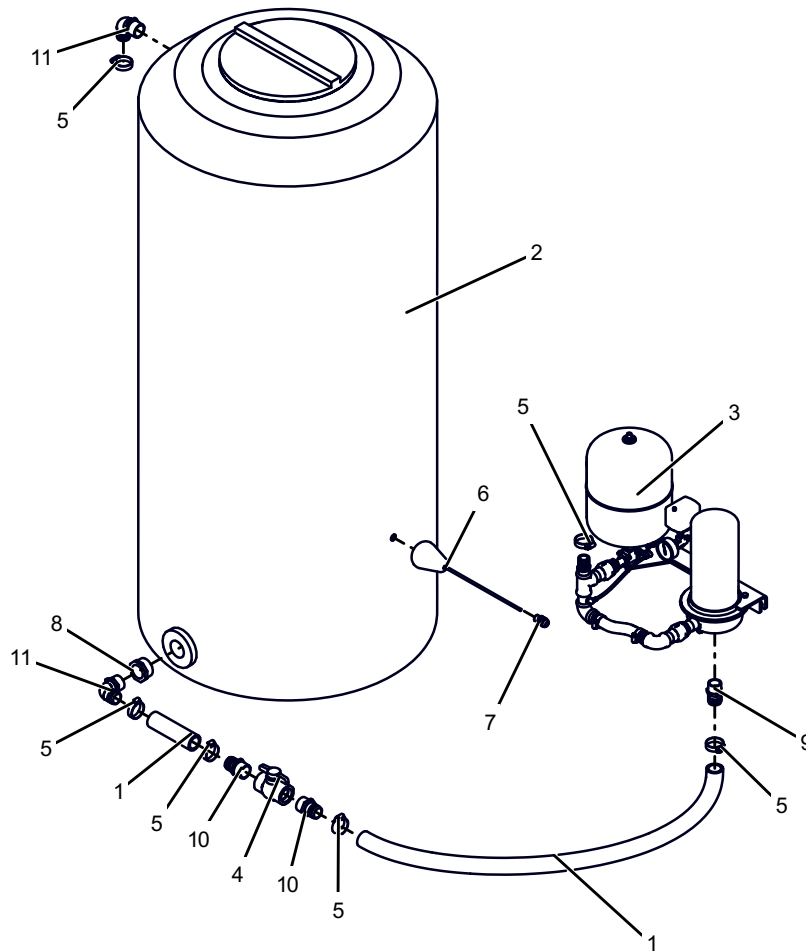
BOM ID	PartNo	Qty	Description
1	03010180	1	VALVE,1",BRASS,2-WAY,NC,232PSI
2	75025	2	CLAMP,PIPE,1.00,PP,STANDARD
3	05030035	7	WASHER,M6,FENDER,SST
4	06140982	1	BRACKET,VALVE-MNT,300GAL-TANK-OPTION,SST
5	67015-J4S	1	NIPPLE,1NPTx6.00,SC40,SST
6	67410-4N	1	ELBOW,1NPT,90DEG,SC40,NYL
7	67495-4N	1	ELBOW,STREET,1NPT,90DEG,SC40,NYL
8	68129-MHN	2	HOSE-BARB,1Hx1MNPT,NYL
9	70110-HCS	3	SCREW,1/4-20x1.00,HHCS,SST
10	70117-HCS	4	SCREW,1/4-20x2.75,HHCS,SST
11	71011-NCS	7	NUT,1/4-20,HEX,LOCK,SST
12	75104	2	CLAMP,HOSE,#16,1.00H,SST

RO REJECT WATER BOOSTER PUMP M920080



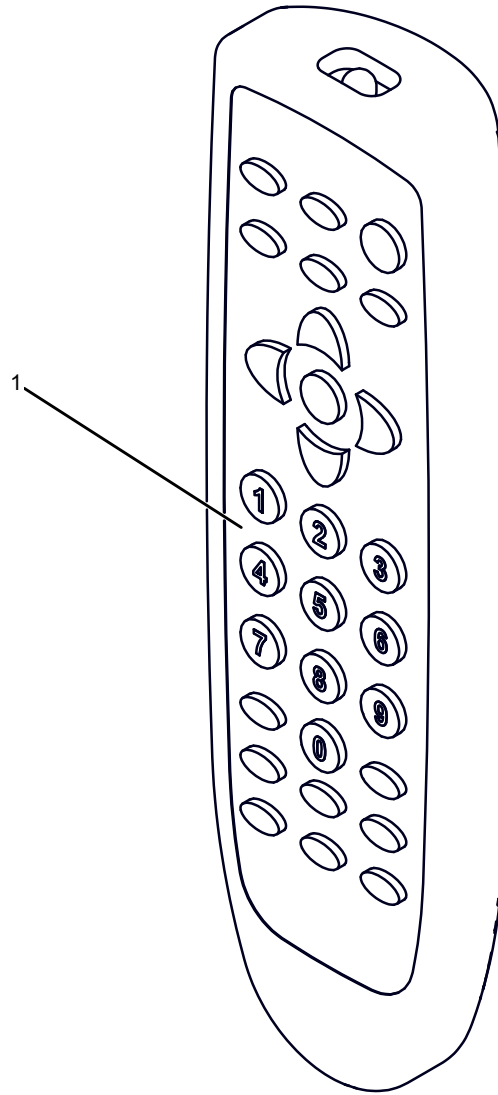
BOM ID	PartNo	Qty	Description
1	23955-NE	1	TUBING, .16x.02W,NAT-PE
2	23965-NE	1	TUBING, .25x.04W,NAT-PE
3	31035	1	SWITCH,PRESSURE,5-65PSI,1/4FPT
4	61031	1	HOSE,1",200-PSI,BLACK,EPDM
5	78015	2	ANCHOR,SLEEVE,3/8x1-7/8",ZNC-PLD
6	03180032	1	PUMP,BERKLEY,SS1XN-1-1/2,CNTFGL
7	06140033	1	BRACKET,BOOSTER-PUMP-MOUNT,SST
8	24328-PB	2	TUBE-FTG,ELBOW,5/32Tx1/4NPT,PUSH,BRS
9	24336-PB	2	TUBE-FTG,ELBOW,1/4Tx1/4NPT,PUSH,BRS
10	25032	1	GAUGE,PRES,0-160PSI,1/4NPT,CBM,LIQ,2.50"
11	36153	1	LOCKNUT 1/2"
12	36193	1	CHASE NIPPLE 1/2"
13	60010	1	TANK,EXPANSION,4.6GAL
14	63144	2	VALVE,CHECK,1FNPT,150PSI,BRS
15	67013-B4B	1	NIPPLE,1/2NPTx2.00,SC40,BRS
16	67015-4B	3	NIPPLE,1NPTxCLOSE,SC40,BRS
17	67052-4B	1	NIPPLE,HEX,1/4NPT,BRS
18	67105-4B	1	TEE,1/4NPT,PIPE,SC40,BRS
19	67115-4B-BS	1	TEE,1/2NPT,PIPE,BRS,BAR-STOCK
20	67125-4B	1	TEE,1NPT,PIPE,SC40,BRS
21	67190-4B	1	TEE,1/4NPT,MALE-RUN,SC40,BRS
22	67410-4B	2	ELBOW,1NPT,90DEG,SC40,BRS
23	67704-B	1	BUSHING,1/2NPTx1/4NPT,BRS
24	67713-B	1	BUSHING,1NPTx1/2NPT,BRS
25	67923-B	1	ADAPTER,3/4FPTx1/2MPT,BRS
26	68129-MHB	2	HOSE-BARB,1Hx1MPT,BRS
27	68134-MHB	1	HOSE-BARB,1-1/4Hx1MNPT,BRS
28	70114-HCS	4	SCREW,1/4-20x2.00,HHCS,SST
29	70179-HCS	2	SCREW,3/8-16x.87,HHCS,SST
30	71011-NCS	4	NUT,1/4-20,HEX,LOCK,SST
31	75104	2	CLAMP,HOSE,#16,1.00H,SST
32	M550040	1	MANIFOLD,1MPTx2",SST,W1/4FPT-PORT
33	M560002	2	CLAMP,EXPANSION-TANK,BOOSTER-PUMP

RO REJECT WATER PUMP SYSTEM 09070132



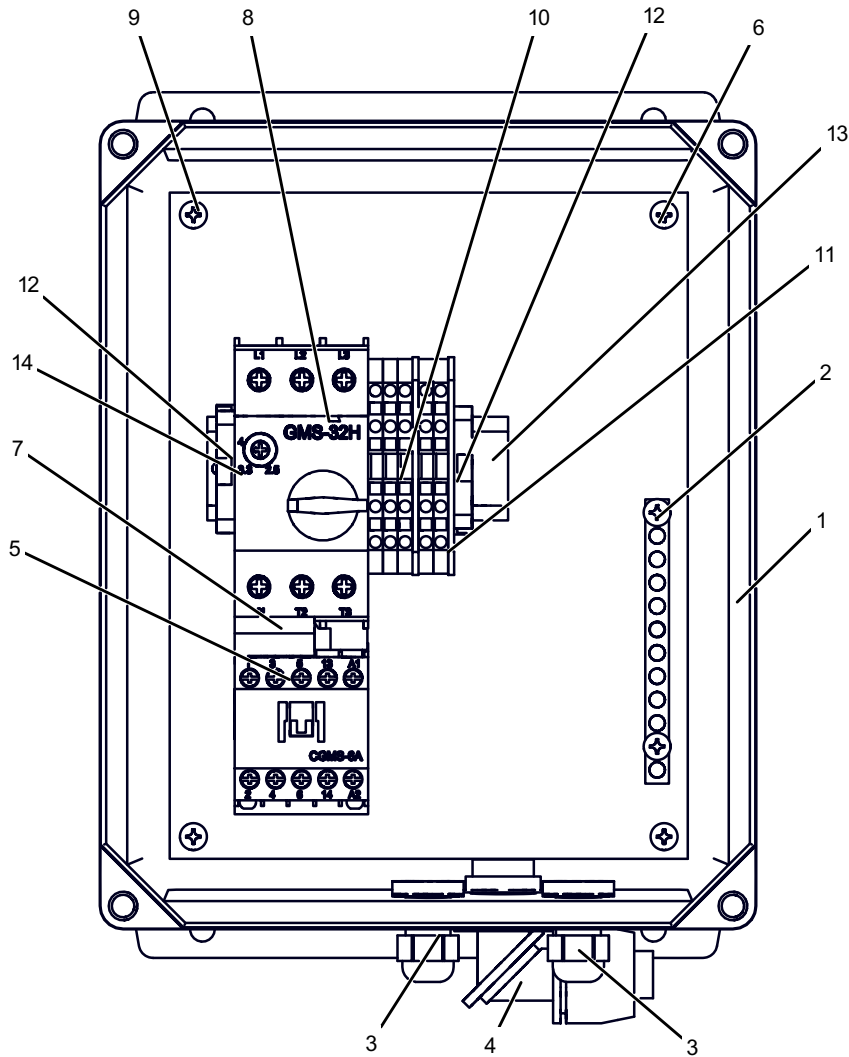
BOM ID	PartNo	Qty	Description
1	01130013	2	HOSE, 1.50, 200PSI, RBR, FBRC, BLK
2	03390010	1	TANK, 300GAL, 35"DIAx81"TALL, 16"COVER, PLST
3	M920080	1	PUMP, BOOSTER-ASSEMBLY
4	03010007	1	VALVE, BALL, 1-1/2FNPTx1-1/2FNPT, SCH40, PVC
5	03330003	6	CLAMP, HOSE, #28, 1.50H, SST
6	04040034	1	SWITCH, FLOAT, TANK, LOW, LEVEL, NO, 10A
7	34427	1	STRAIN-RELIEF, .17-.47, 1/2NPT, NYLON, BLK
8	67736-4P	1	BUSHING, 2NPTx1-1/2NPT, SC40, PVC
9	68140-MHN	1	HOSE-BARB, 1-1/2Hx1-1/4MPT, NYL
10	68141-MHN	2	HOSE-BARB, 1-1/2Hx1-1/2MPT, NYL
11	68341-MHN	2	HOSE-BARB, 1-1/2Hx1-1/2MNPT, 90°, NYL

REMOTE CONTROL 04540049



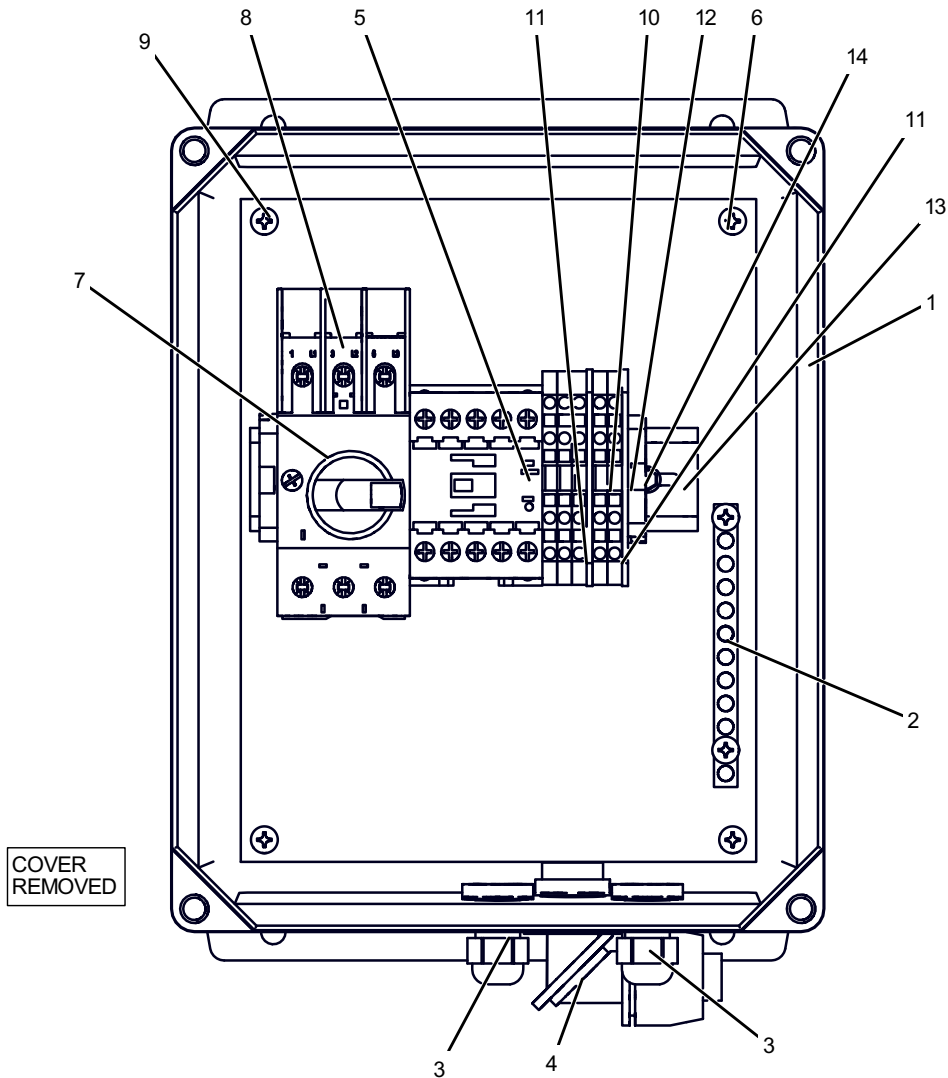
BOM ID	PartNo	Qty	Description
1	04540049	1	REMOTE-CONTROL,INFRARED,38KHZ,NEC-CODE

BOOSTER PUMP CONTROL BOX 460V 60HZ 11010200



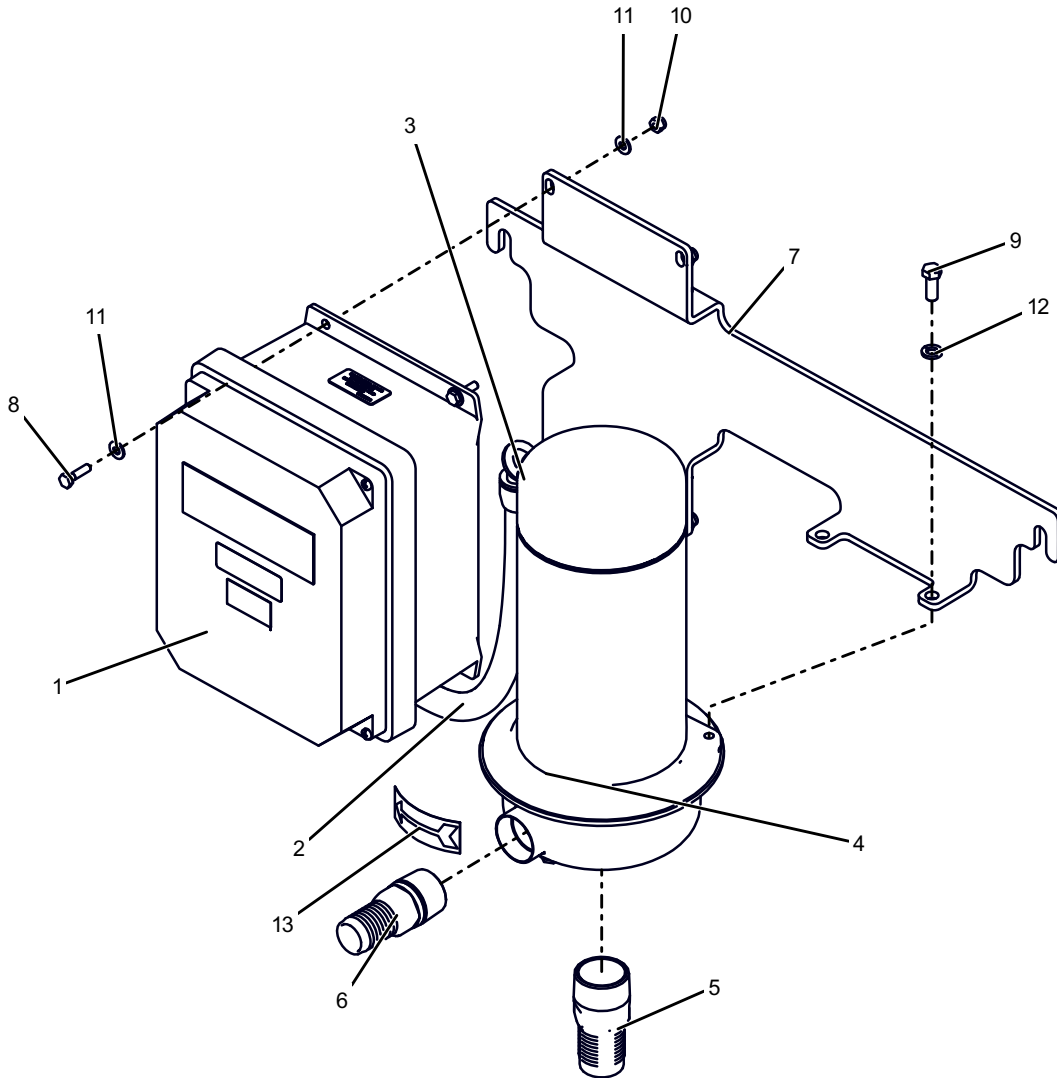
BOM ID	PartNo	Qty	Description
1	04090153	1	ENCLOSURE-W/HOLES,CNTL-BOX,11010184
2	04100046	1	TERMINAL-BLOCK,GND-BAR,9P,8-14AWG,225A
3	04450024	2	STRAIN-RELIEF,.138-.315",W/LOCKNUT,NYLON
4	36084	1	CONNECTOR,CONDUIT,1/2,ADJUSTABLE,PVC
5	04020026	1	CONTACTOR,6A,24VAC,200-575VAC,50-60HZ
6	04090028	1	ENCLOSURE,PANEL,8.88x6.88x.08",AL
7	04110064	1	LINK-MODULE,MSP-TO-CONTACTOR
8	04110067	1	MSP.COMBINATION,MODULE,2.5-4.0A,24VAC
9	05040278	4	SCREW,#10-32x5/16",PRHMS,SST
10	36507	5	TERMINAL-BLK,26-14GA,4P,GRAY
11	36607	2	END PLATE,FRONT,4P,280-317,ORANGE
12	36650	2	END-STOP,6mm,PLST,GRAY,249-116
13	36950-4.00	1	DIN-RAIL,35mmx4.00",AL
14	73604-TXCZ	2	SCREW,#8x.50,HHTEK,ZP

BOOSTER PUMP CONTROL BOX 11010184



BOM ID	PartNo	Qty	Description
1	04090153	1	ENCLOSURE-W/HOLES,CNTL-BOX,11010184
2	04100046	1	TERMINAL-BLOCK,GND-BAR,9P,8-14AWG,225A
3	04450024	2	STRAIN-RELIEF,,138-.315",W/LOCKNUT,NYLON
4	36084	1	CONNECTOR,CONDUIT,1/2,ADJUSTABLE,PVC
5	04020034	1	CONTACTOR,12A,24V-50/60HZ,AUX-NO,600V
6	04090028	1	ENCLOSURE,PANEL,,8.88x6.88x.08",AL
7	04110108	1	CIRCUIT-BREAKER,MSP,6.3-10A,65KA,480V
8	04110142	1	MSP,PHASE,SEPARATOR,FRAME-SIZE,B
9	05040278	4	SCREW,#10-32x5/16",PRHMS,SST
10	36507	5	TERMINAL-BLK,26-14GA,4P,GRAY
11	36607	2	END PLATE,FRONT,4P,280-317,ORANGE
12	36650	2	END-STOP,6mm,PLST,GRAY,249-116
13	36950-6.00	1	DIN-RAIL,,35mmx6.00",AL
14	73604-TXCZ	2	SCREW,#8x.50,HHTEK,ZP

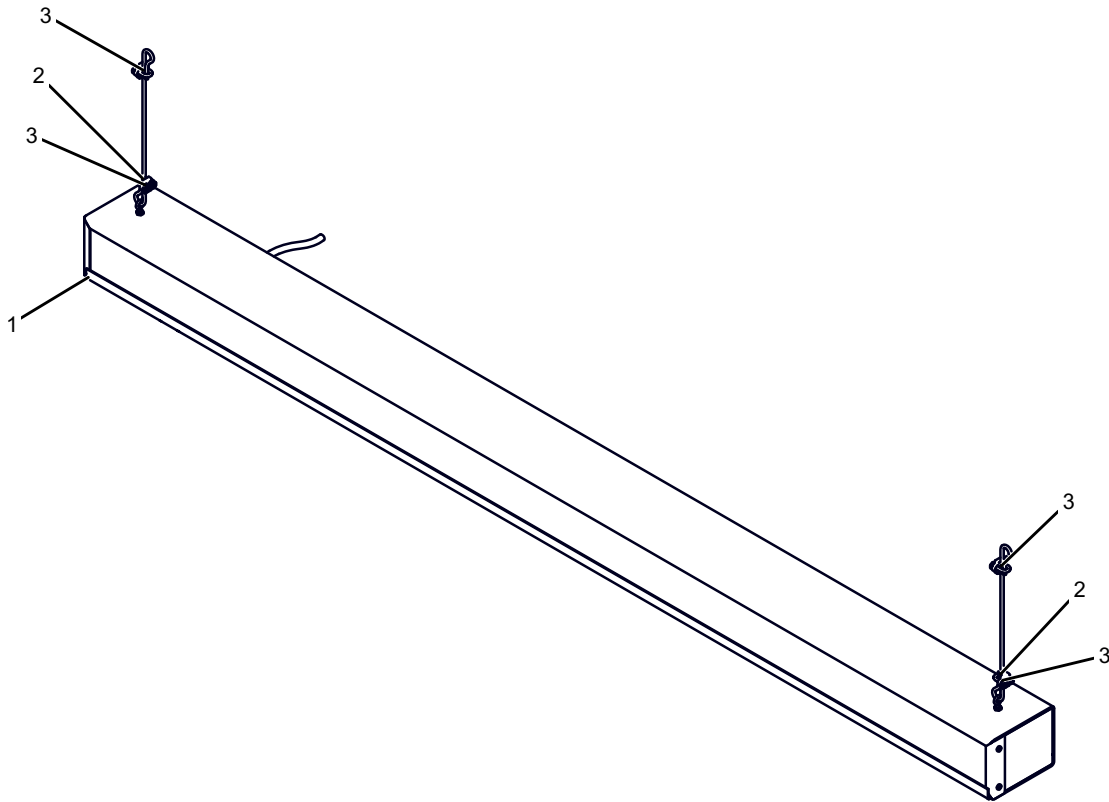
BOOSTER PUMP 09070145



BOM ID	PartNo	Qty	Description
1	11010184	1	CONTROL-BOX,PUMP,BOOSTER,208-230V,60HZ
2	36005	1	CONDUIT,FLEXIBLE,1/2,300V,NON-METALLIC
3	36084	1	CONNECTOR,CONDUIT,1/2,ADJUSTABLE,PVC
4	03180046	1	PUMP,BERKELEY,CENTRIFUGAL,2HP,3PH,60HZ
5	03310040	1	HOSE-BARB,1-1/2Hx1-1/2MNPT,316SST
6	03310041	1	HOSE-BARB,1-1/4Hx1-1/4MNPT,316SST
7	06140936	1	BRACKET,BOOSTER-PUMP-ASSY,SST
8	70110-HCS	4	SCREW,1/4-20x1.00,HHCS,SST
9	70180-HCS	2	SCREW,3/8-16x1.00,HHCS,SST
10	71011-NCS	4	NUT,1/4-20,HEX,LOCK,SST
11	71511-FS	8	WASHER,1/4,FLAT,SST
12	71513-LS	2	WASHER,3/8,LOCK,SST
13	84070	1	DECAL,DIRECTION-ARROW,"ROTATION"

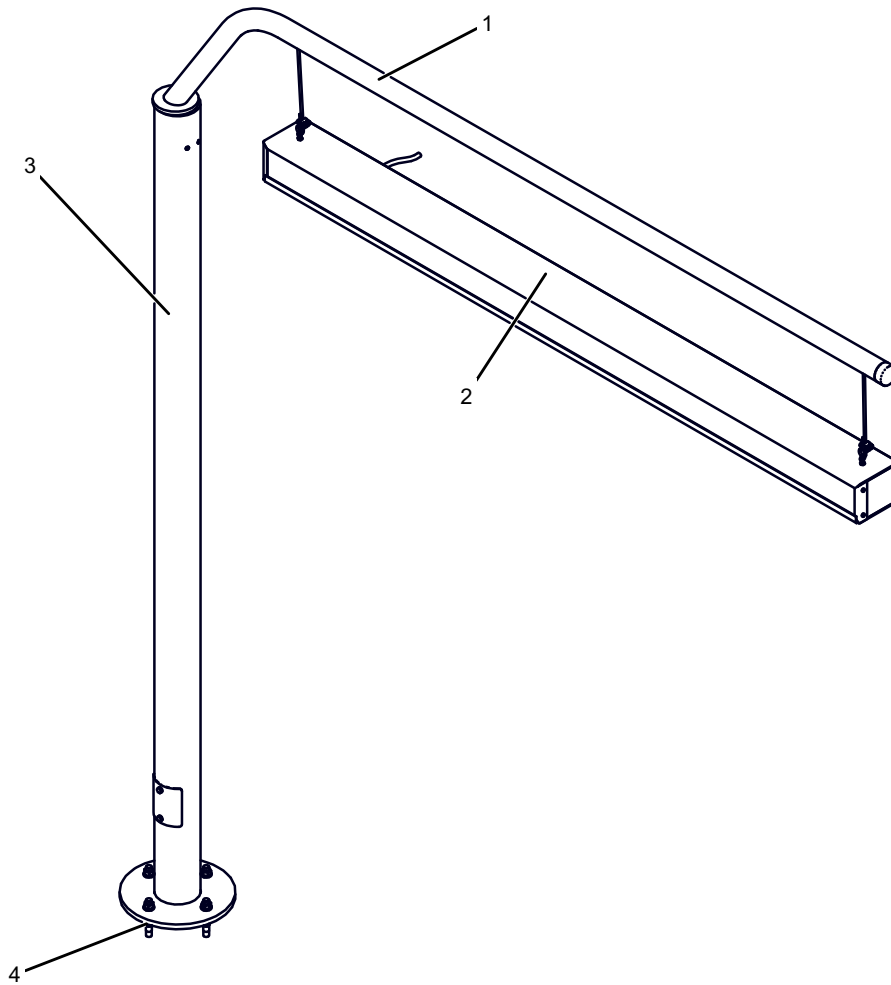
LIGHTED CLEARANCE SIGN WITHOUT STAND

09020011



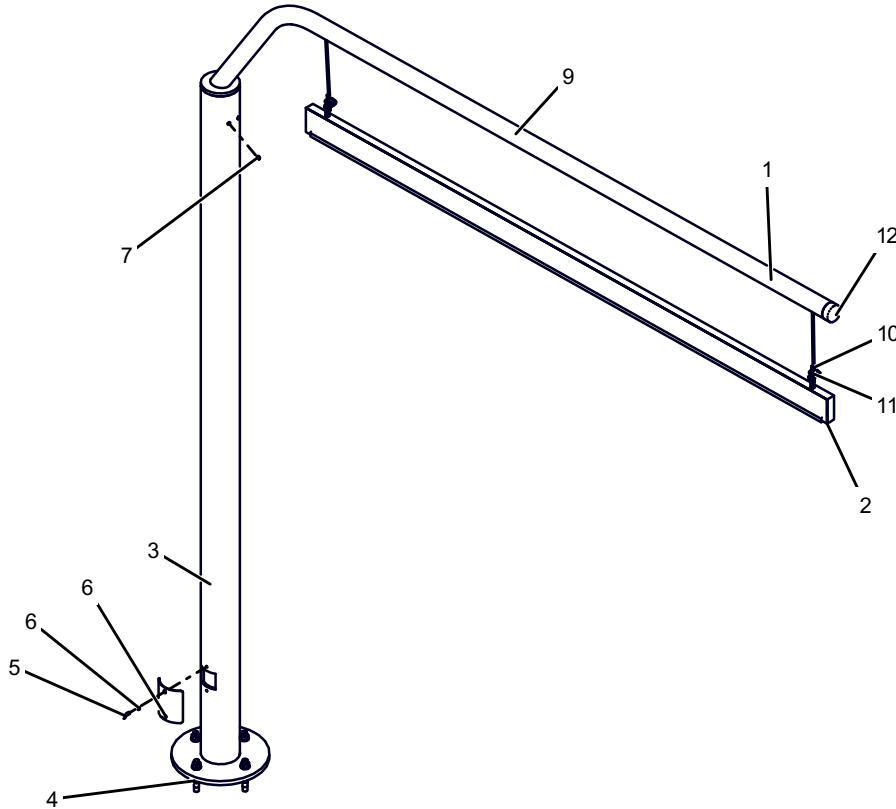
BOM ID	PartNo	Qty	Description
1	11310001	1	SIGN,CLEARANCE,LIGHTED
2	18005-GNY	2	CABLE 3/16 OD 1/8" 7 X 19 NYLON COATED
3	18030	4	U-BOLT,WIRE-ROPE,CLIP,1/8,FORGED,STEEL

LIGHTED CLEARANCE SIGN W STAND 09020006



BOM ID	PartNo	Qty	Description
1	11080018	1	FRAME,ASSY,CLEARANCE-SIGN-TOP-ARM
2	11310001	1	SIGN,CLEARANCE,LIGHTED
3	M300186	1	LEG,ASSY,83.75,CLEARANCE SIGN ASSY
4	05090001	4	ANCHOR,STUD,1/2-13UNCx3-3/4",SST

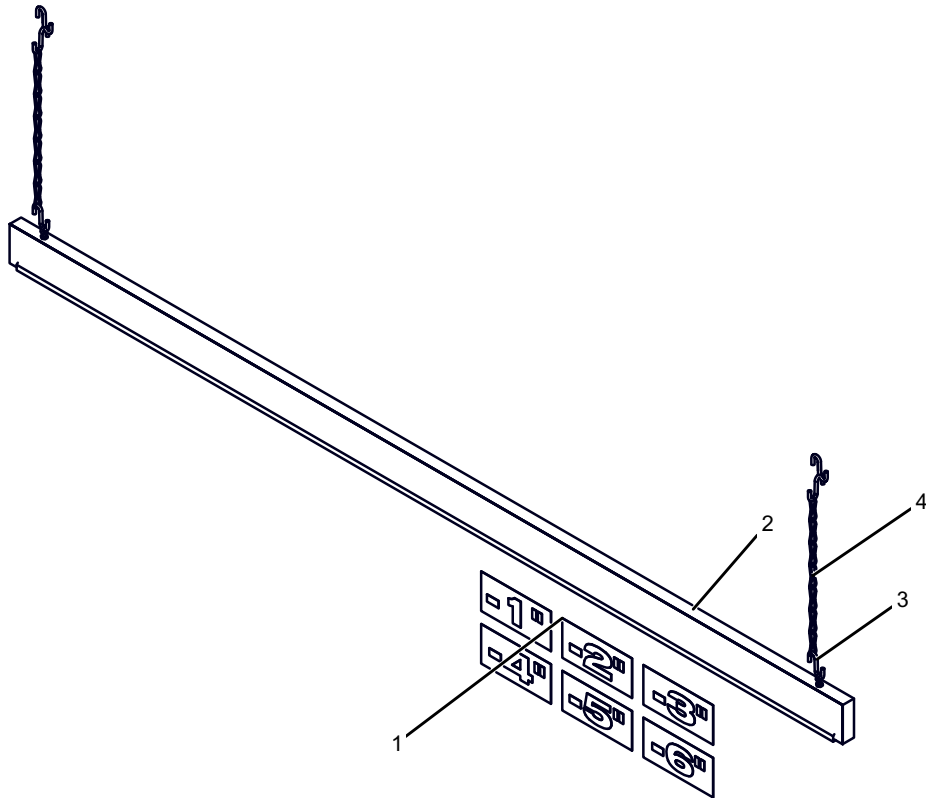
NON LIT CLEARANCE SIGN W STAND 09020009



BOM ID	PartNo	Qty	Description
1	11080018	1	FRAME, ASSY, CLEARANCE-SIGN-TOP-ARM
2	11310002	1	SIGN, CLEARANCE, NON-LIGHTED
3	M300186	1	LEG, ASSY, 83.75, CLEARANCE SIGN ASSY
4	05090001	4	ANCHOR, STUD, 1/2-13UNCx3-3/4", SST
5	70108-HCS	2	SCREW, 1/4-20x.75, HHCS, SST
6	71511-LS	2	WASHER, 1/4, LOCK, SST
7	73265-SCS	3	SET-SCREW, 3/8-16x.25, HEX-SOC, CUP, SST
9	M3000187	1	BRACKET, WELDED, 1.50x87.00, ALUMINUM
10	18005-GNY	2	CABLE 3/16 OD 1/8" 7 X 19 NYLON COATED
11	18030	4	U-BOLT, WIRE-ROPE, CLIP, 1/8, FORGED, STEEL
12	69295-4P	2	COVER 1-1/2 BLACK VINYL

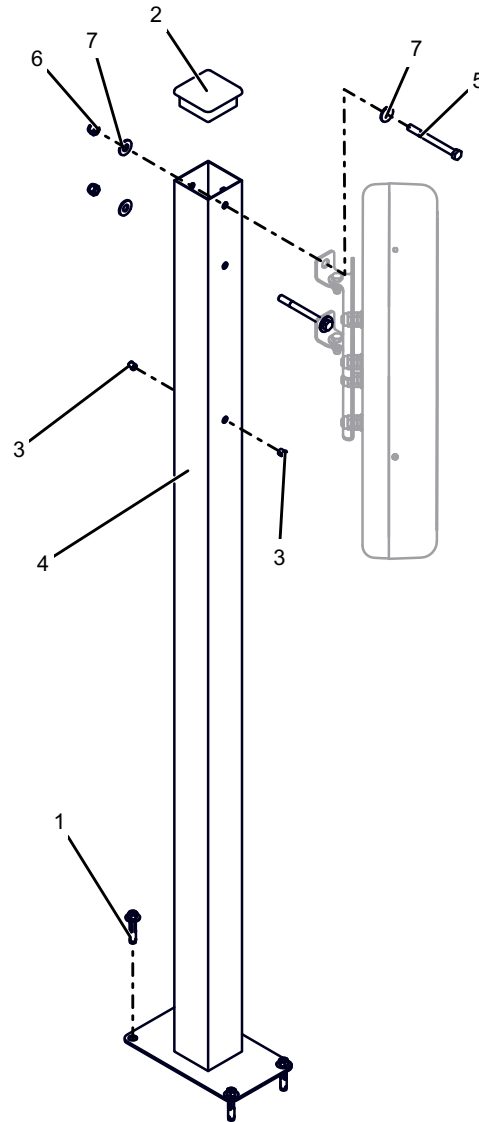
NON LIT CLEARANCE SIGN WITHOUT STAND

09020001



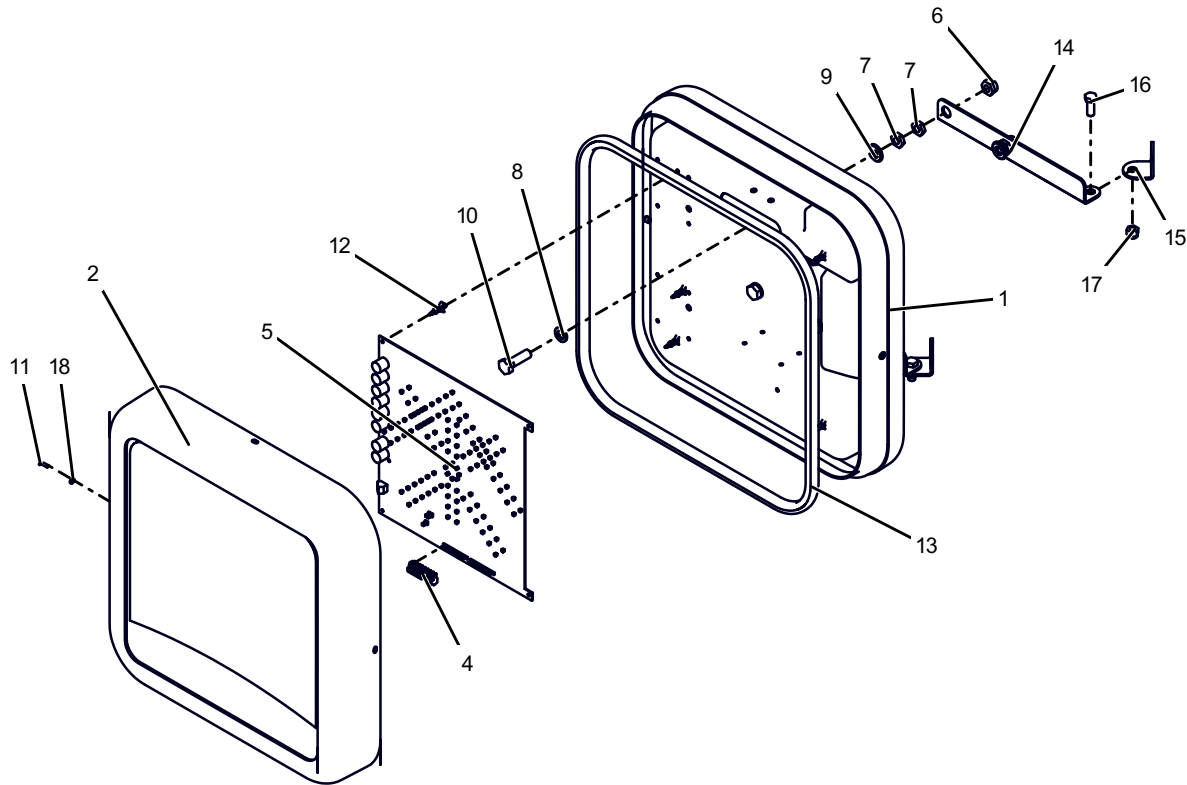
BOM ID	PartNo	Qty	Description
1	02030022	1	DECAL,CLEARANCE-SIGN,INCH-OPTION,2.0"
2	11310002	1	SIGN,CLEARANCE,NON-LIGHTED
3	78108	2	EYEBOLT 1/4"-20THR 2"L GALV E-3 W/S HOOK
4	18220	2	CHAIN 3/32 DOUBLE LOOP COIL

SIGN STAND KIT 09100113



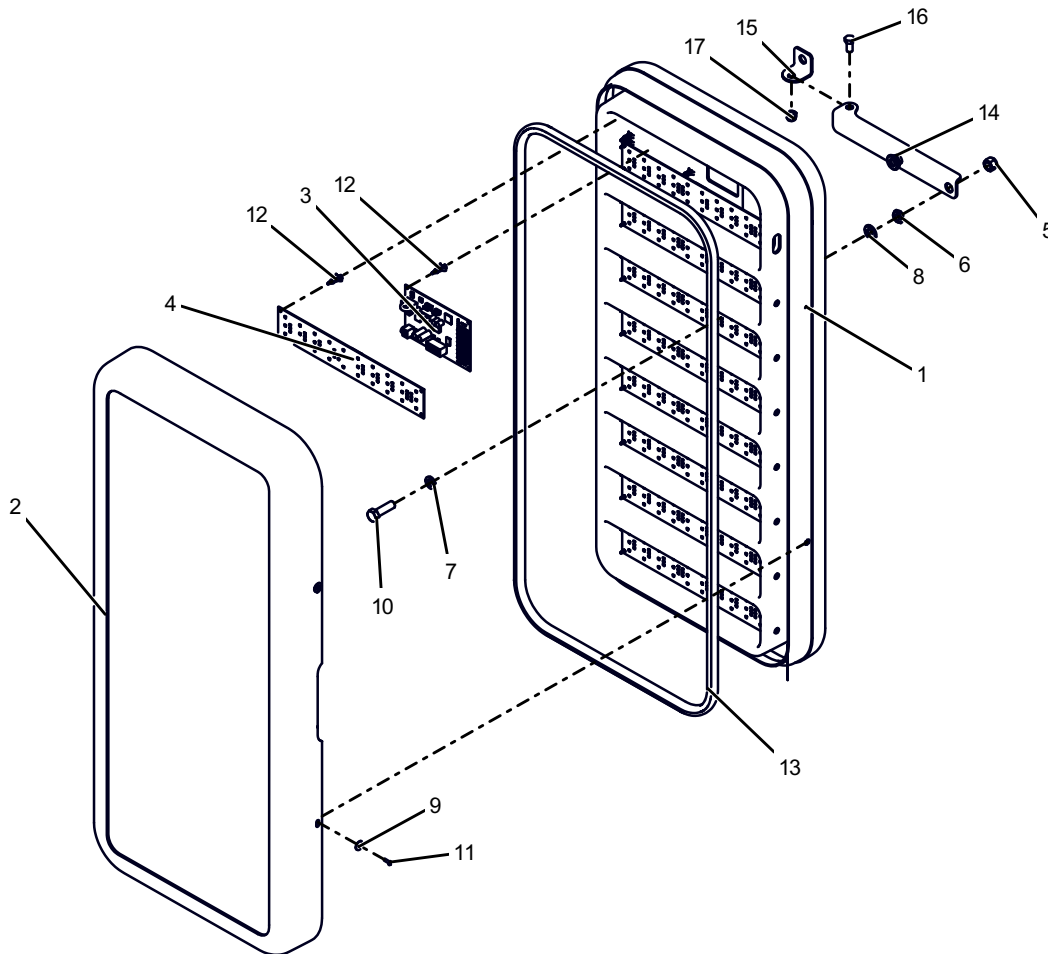
BOM ID	PartNo	Qty	Description
1	05180019	4	ANCHOR, CONCRETE, SLEEVE, 3/8x1.875", SST
2	06160198	1	COVER, ENDPLATE, LWM5, 3.00x3.00-TUBE
3	06160210	2	COVER, HOLE, .375, NY, .12MAX-PANEL, BLACK
4	06250053	1	FRAME, SIGN, FLOOR-STAND, M5/LW
5	70192-HCS	2	SCREW, 3/8-16x4.00, HHCS, SST
6	71013-NCS	2	NUT, 3/8-16, HEX, LOCK, SST
7	71513-FS	4	WASHER, 3/8, FLAT, 1-OD, .083THK, SST

LED ENTRANCE SIGN 09020117



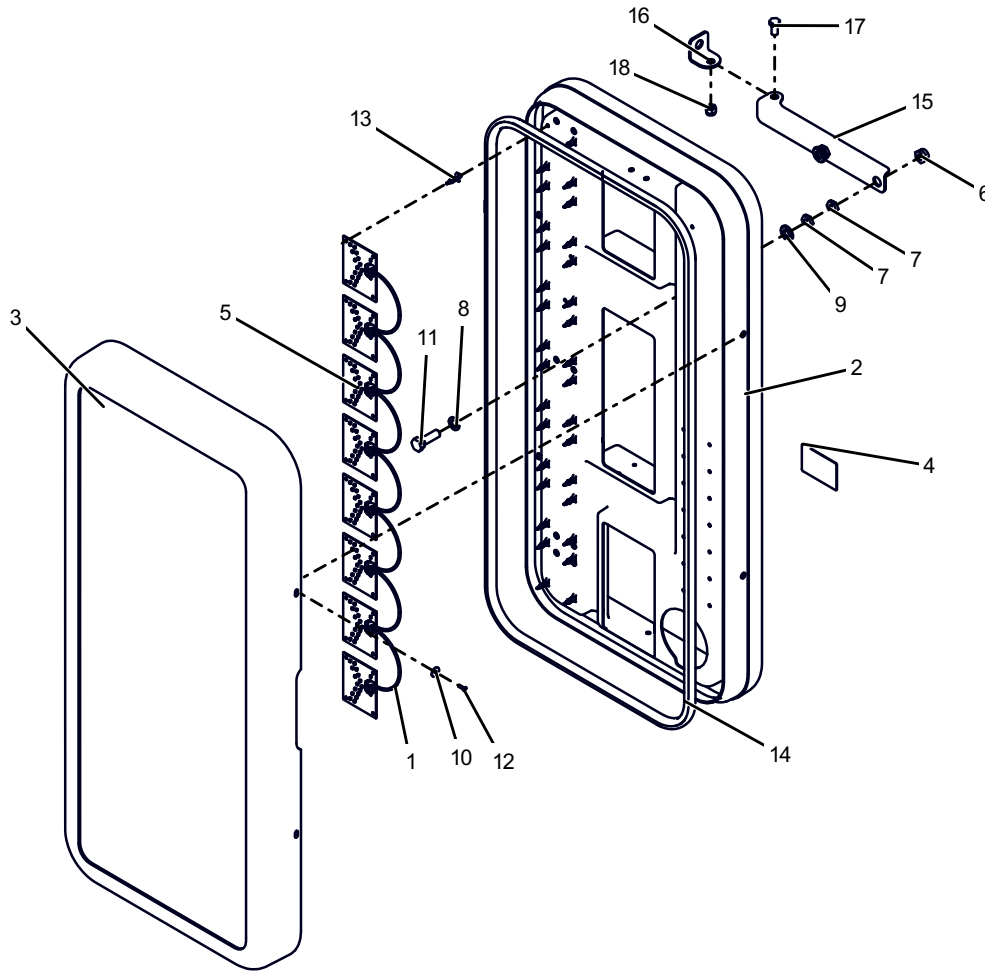
BOM ID	PartNo	Qty	Description
1	06240061	1	PANEL, SIGN, 18x18, MOLDED, BACK, ENTRANCE
2	06420170	1	SIGN-FACE, INSTRUCTION, ENTRANCE, CONFIG
4	04560016	1	PLUG, PCB, 9PIN, 5mm, 250V/10A, 14-24AWG, GRN
5	04580031	1	CIRCUIT-BOARD, ENTRANCE-SIGN, COMPLETE
6	05020008	4	NUT, M12, HEX, LOCK, SST
7	05020042	8	NUT, M12, HEX, JAM, SST
8	05030015	4	WASHER, M12, LOCK, SPLIT, SST
9	05030049	4	WASHER, 1/2x1.00x 11, SEALING, SST, NEOPR
10	05040031	4	SCREW, M12x40mm, HHCS, SST
11	05040414	1	SCREW, #6-32X.50, SRHMS, AL
12	05130025	5	STAND-OFF, SNAP-IN, PCB-MT, INBAY/CONFIRM
13	06070030	1	GASKET, HOUSING, ENTRANCE-SIGN, NPRN
14	06140439	2	BRACKET, SIGN, INBAY/CONFIRM, NON-ADJ, SIGN
15	06140449	2	BRACKET, SIGN, INBAY/CONFIRM, NON-ADJ, WALL
	70180-HCS	2	SCREW, 3/8-16x1.00, HHCS, SST
17	71013-NCS	2	NUT, 3/8-16, HEX, LOCK, SST
18	71506-FS	1	WASHER, #6, FLAT, SST

ADVANCED LED SERVICE CONFIRMATION SIGN 09020293



BOM ID	PartNo	Qty	Description
1	06240475	1	PANEL, SIGN, MOLDED, BACK, CONFIRMATION, ICON
2	06420317	1	SIGN-FACE, ENTR, SERV-CONF, DMX, CONFIG
3	04580048	1	CIRCUIT-BOARD, CONTROLLER, LED, DMX
4	04580049	9	CIRCUIT-BOARD, LED, SMD, 3-COLOR
5	05020008	4	NUT, M12, HEX, LOCK, SST
6	05020042	4	NUT, M12, HEX, JAM, SST
7	05030015	4	WASHER, M12, LOCK, SPLIT, SST
8	05030049	4	WASHER, 1/2x1.00x.11, SEALING, SST, NEOPR
9	05030079	4	WASHER, #6x.625", FENDER, SST
10	05040031	4	SCREW, M12x40mm, HHCS, SST
11	05040414	4	SCREW, #6-32X.50, SRHMS, AL
12	05130025	40	STAND-OFF, SNAP-IN, PCB-MT, INBAY/CONFIRM
13	06070029	1	GASKET, HOUSING, IN-BAY-SIGNS, NPRN
14	06140439	2	BRACKET, SIGN, INBAY/CONFIRM, NON-ADJ, SIGN
15	06140449	2	BRACKET, SIGN, INBAY/CONFIRM, NON-ADJ, WALL
16	70178-HCS	2	SCREW, 3/8-16x.75, HHCS, SST
17	71013-NCS	2	NUT, 3/8-16, HEX, LOCK, SST

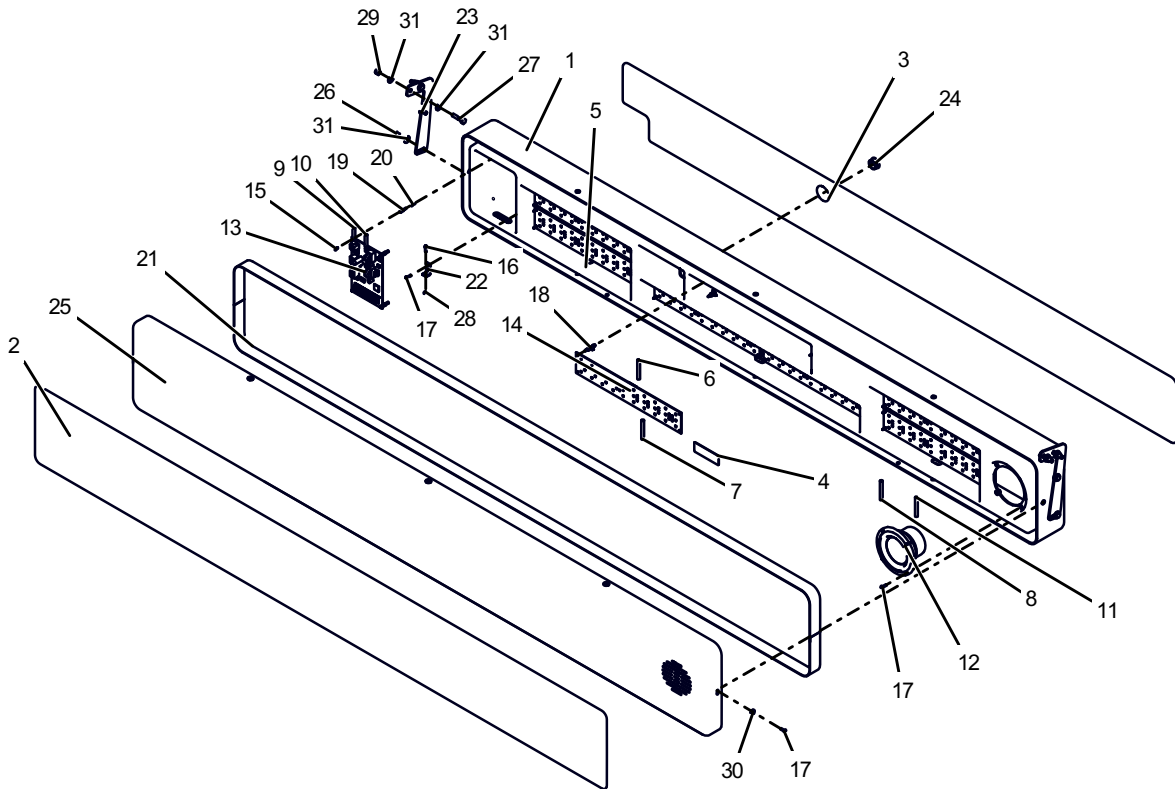
LED SERVICE CONFIRMATION SIGN 09020116



BOM ID	PartNo	Qty	Description
1	04080078	1	HARNESS, SIGN, CONFIRMATION, LWM5
2	06240060	1	PANEL, SIGN, 18x39, MOLDED, BACK, IN-BAY/CONF
3	06420122	1	SIGN-FACE, CONFIRMATION, LASERWASH, ENGLISH
4	02230353	1	LABEL, ID, SIGN, CONFIRMATION
5	04580027	8	CIRCUIT-BOARD, LED, CHEVRON, GREEN
6	05020008	4	NUT, M12, HEX, LOCK, SST
7	05020042	8	NUT, M12, HEX, JAM, SST
8	05030015	4	WASHER, M12, LOCK, SPLIT, SST
9	05030049	4	WASHER, 1/2x1.00x.11, SEALING, SST, NEOPR
10	05030079	1	WASHER, #6x.625", FENDER, SST
11	05040031	4	SCREW, M12x40mm, HHCS, SST
12	05040414	1	SCREW, #6-32X.50, SRHMS, AL
13	05130025	32	STAND-OFF, SNAP-IN, PCB-MT, INBAY/CONFIRM
14	06070029	1	GASKET, HOUSING, IN-BAY-SIGNS, NPRN
15	06140439	2	BRACKET, SIGN, INBAY/CONFIRM, NON-ADJ, SIGN
16	06140449	2	BRACKET, SIGN, INBAY/CONFIRM, NON-ADJ, WALL
17	70178-HCS	2	SCREW, 3/8-16x.75, HHCS, SST
18	71013-NCS	2	NUT, 3/8-16, HEX, LOCK, SST

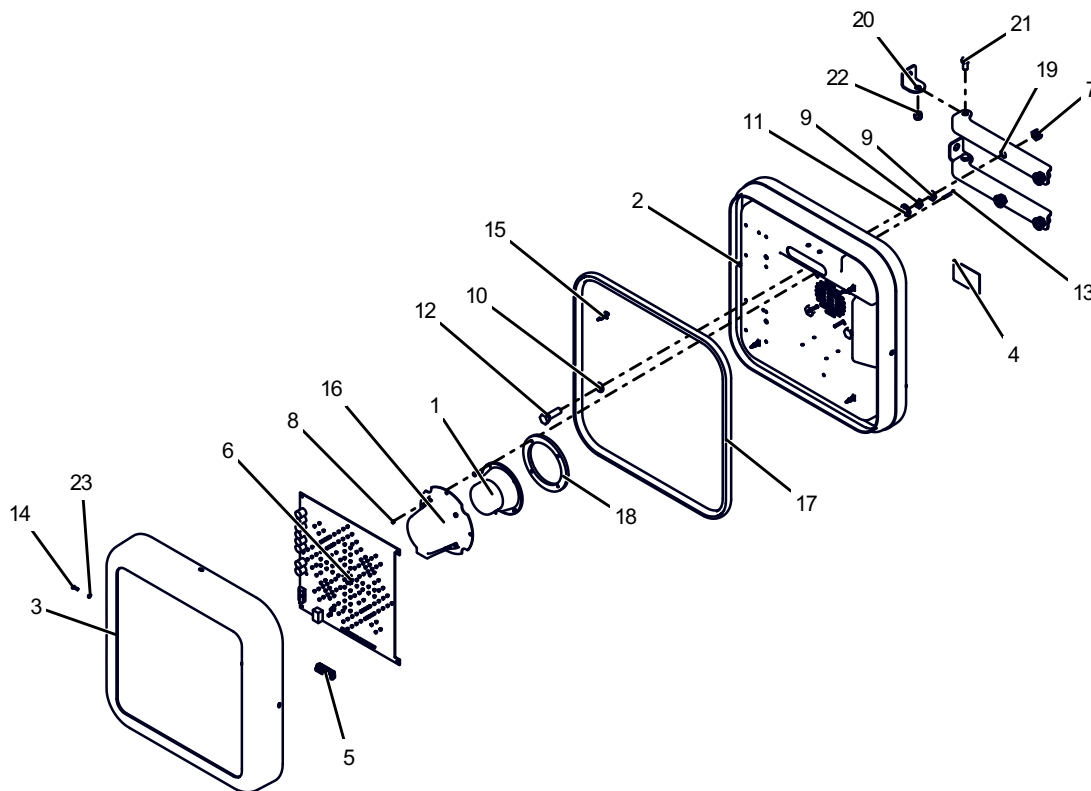
ADVANCED DELUXE LED IN BAY SIGN W AUDIO

09020252



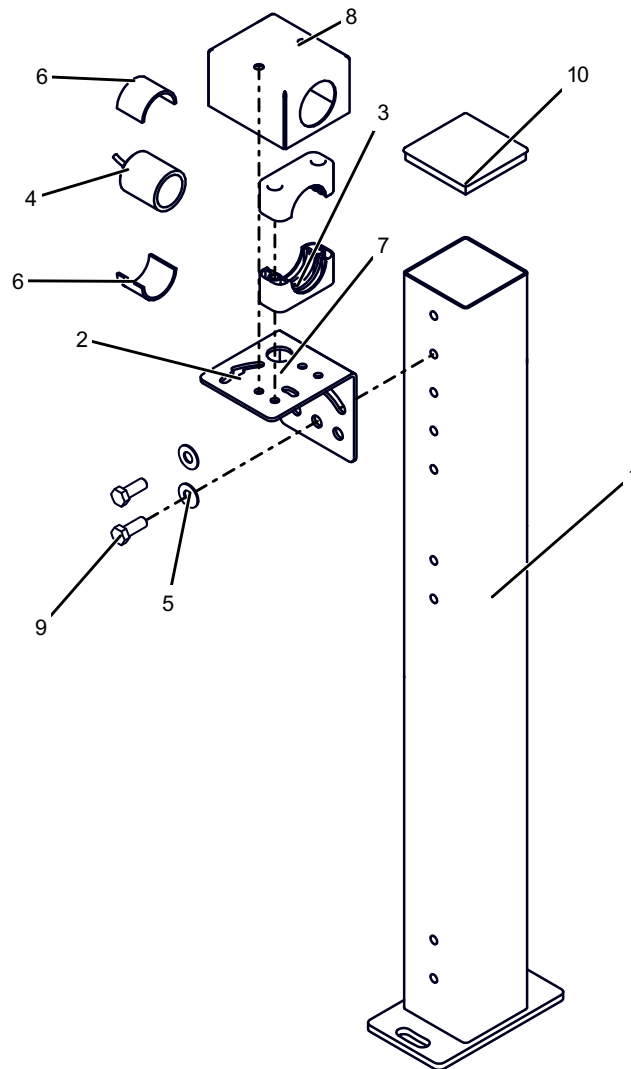
BOM ID	PartNo	Qty	Description
1	06240961	1	PANEL, SIGN, MOLDED, BACK, INSTR, CROSS-BAY
2	02031038	1	DECAL, SIGN, IN-BAY, INST, OPAQUE, CONFIG
3	02031110	1	DECAL, BACK, IN-BAY-INSTR-SIGN, TDM/SL/LW360
4	02240094	1	LABEL, INFO, WIRING-TO-CLEAR-BOTTOM
5	04080688	1	HARNESS, LOADING, SIGN, STOP, LED, TDM/SL
6	04080689	1	HARNESS, LOADING, SIGN, BACK-UP, LED, TDM/SL
7	04080690	1	HARNESS, LOADING, SIGN, FWO, LED, TDM/SL
8	04080691	1	HARNESS, LOADING, SIGN, PARK, LED, TDM/SL
9	04080692	1	HARNESS, LOADING, SIGN, COMM, TANDEM/SL
10	04080693	1	HARNESS, LOADING, SIGN, POWER, TANDEM/SL
11	04080694	1	HARNESS, LOADING, SIGN, AUDIO, TANDEM/SL
12	04550010	1	SPEAKER, 4" 8-OHM 15-WATT
13	04580044	1	CIRCUIT-BOARD, INTERFACE, INFRARED, MDX
14	04580049	7	CIRCUIT-BOARD, LED, SMD, 3-COLOR
15	05040140	4	SCREW, M3x6mm, PPHMS, SST
16	05040194	1	SCREW, #6-32X.50, STHMS, SST
17	05040414	14	SCREW, #6-32X.50, SRHMS, AL
18	05130025	28	STAND-OFF, SNAP-IN, PCB-MT, INBAY/CONFIRM
19	05130043	4	STAND-OFF, M3x10mm, HEX, NYLON
20	05180056	4	INSERT, STAND-OFF, M3x10mm, SST, PSOS-M3-10
21	06070078	2	GASKET, INSTRUCTION-SIGN, NPRN, TDM/SL
22	06141549	1	BRACKET, IR-SENSOR, MOUNTING, TANDEM/SL
23	06141586	2	BRACKET, SIGN-MOUNT, FRAME, TDM/SL
24	06160209	1	COVER, HOLE, .875, NY, .12MAX-PANEL, BLACK
25	06420314	1	SIGN-FACE, CROSS-BAY, MOLDED, TRANSLUCENT
26	70106-HCS	4	SCREW, 1/4-20x.50, HHCS, SST
27	70111-HCS	4	SCREW, 1/4-20x1.25, HHCS, SST
28	71006-NCS	1	NUT, HEX, #6-32, LOCK, SST
29	71011-NCS	4	NUT, 1/4-20, HEX, LOCK, SST
30	71509-FS	8	WASHER, #10, FLAT, SST
31	71511-FS	12	WASHER, 1/4, FLAT, SST

BASIC LED IN BAY SIGN W AUDIO 09020115



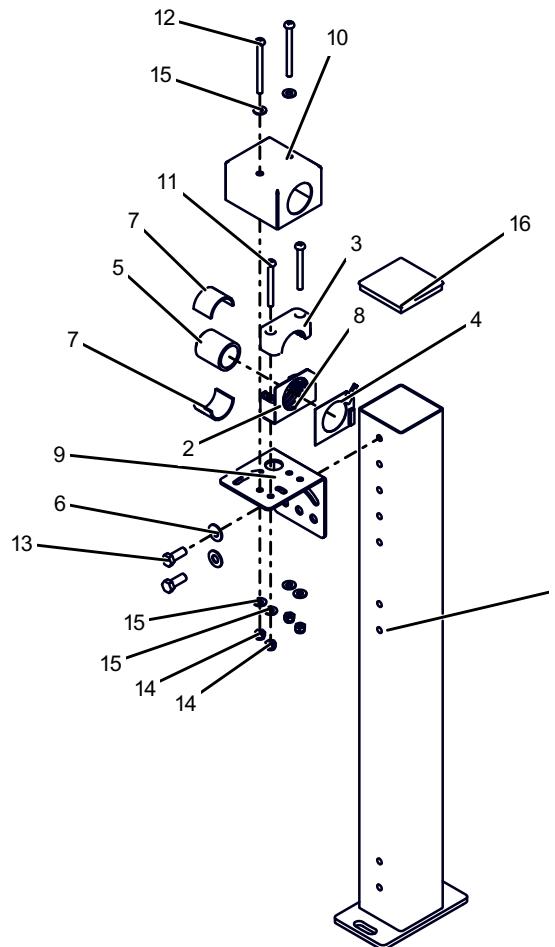
BOM ID	PartNo	Qty	Description
1	04550005	1	SPEAKER-W/CABLE, INBAY-SIGN
2	06240289	1	PANEL, SIGN, 18x18, MOLDED, BACK, IN-BAY
3	06420121	1	SIGN-FACE, IN-BAY, BASIC, LASERWASH
4	02230351	1	LABEL, ID, SIGN, INBAY, BASIC
5	04560016	1	PLUG, PCB, 9PIN, 5mm, 250V/10A, 14-24AWG, GRN
6	04580021	1	CIRCUIT-BOARD, COMMON-SMART-SIGN, COMPLETE
7	05020008	4	NUT, M12, HEX, LOCK, SST
8	05020010	8	NUT, M4, HEX, SST
9	05020042	8	NUT, M12, HEX, JAM, SST
10	05030015	4	WASHER, M12, LOCK, SPLIT, SST
11	05030049	4	WASHER, 1/2x1.00x.11, SEALING, SST, NEOPR
12	05040031	4	SCREW, M12x40mm, HHCS, SST
13	05040212	4	SCREW, M4x30mm, PFHMS, S-PLT
14	05040414	1	SCREW, #6-32X.50, SRHMS, AL
15	05130025	4	STAND-OFF, SNAP-IN, PCB-MT, INBAY/CONFIRM
16	06050117	1	HOUSING, SPEAKER, PLSTC, COMMON
17	06070030	1	GASKET, HOUSING, ENTRANCE-SIGN, NPRN
18	06070053	1	GASKET, SPEAKER-ADAPTER, SBR
19	06140439	2	BRACKET, SIGN, INBAY/CONFIRM, NON-ADJ, SIGN
20	06140449	2	BRACKET, SIGN, INBAY/CONFIRM, NON-ADJ, WALL
21	70178-HCS	2	SCREW, 3/8-16x.75, HHCS, SST
22	71013-NCS	2	NUT, 3/8-16, HEX, LOCK, SST
23	71506-FS	1	WASHER, #6, FLAT, SST

ULTRASONIC SENSOR STAND MOUNTED 09160058



BOM ID	PartNo	Qty	Description
1	06250183	1	FRAME,WLD,STAND,VEH-DET-EYE,SST,LW20
2	11410043	1	ULTRASONIC,ASSY,STAND-MTD,LW2020
3	05050064	1	CLAMP,PIPE,1-1/4x2.75x1.125,POLYAMIDE
4	04420036	1	SENSOR,ULTRASONIC,75kHz,60'CBL,1.5"DIA
5	05030067	2	WASHER,3/8,FLAT,7/8-OD,.050THK,SST
6	06060015	2	CUSHION,ULTRASONIC-MOUNT,SILICONE
7	06141764	1	BRACKET,MOUNT,ULTRASONIC,SST,LW20
8	06160599	1	COVER,ULTRASONIC,SST,LW2020
9	70180-HCS	2	SCREW,3/8-16x1.00,HHCS,SST
10	M690049	1	CAP,3.00x3.00x.083 TUBE,ABS,BLK

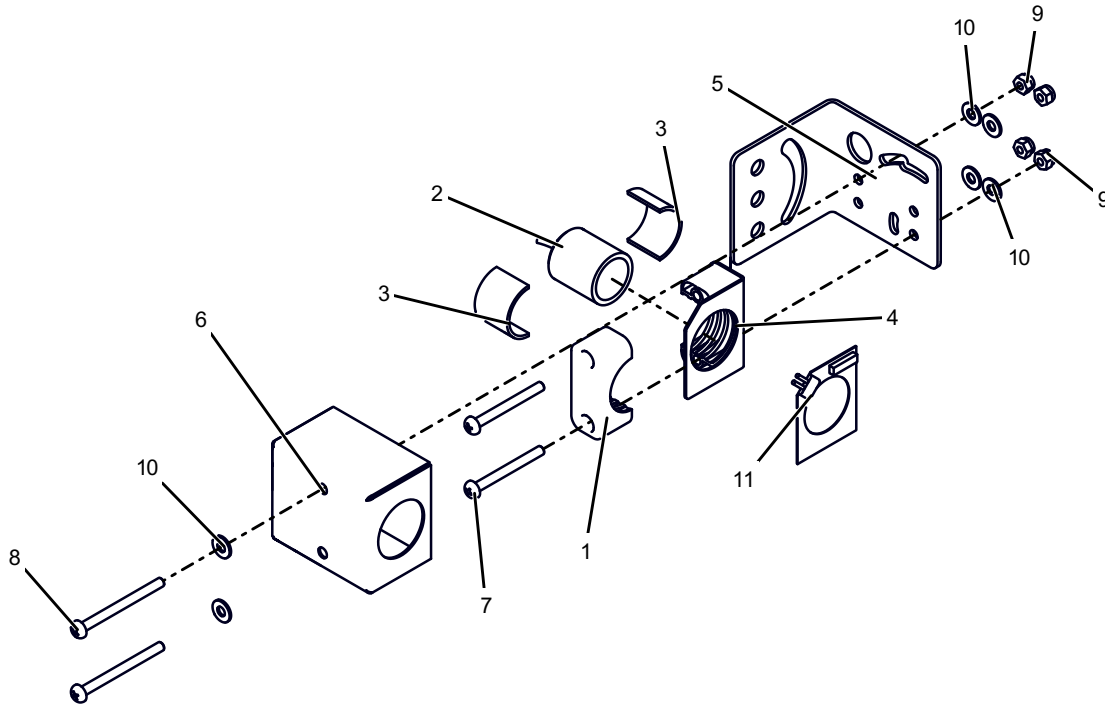
ULTRASONIC SENSOR STAND MOUNTED W HEAT 09160059



BOM ID	PartNo	Qty	Description
1	06250183	1	FRAME,WLD,STAND,VEH-DET-EYE,SST,LW20
2	11410044	1	ULTRASONIC,ASSY,STAND-MTD,W/HEAT,LW2020
3	05050064	1	CLAMP,PIPE,1-1/4x2.75x1.125,POLYAMIDE
4	04190036	1	HEATER,STRIP,20W,24VAC,W/THERMO,HOLE
5	04420036	1	SENSOR,ULTRASONIC,75kHz,60'CBL,1.5"DIA
6	05030067	2	WASHER,3/8,FLAT,7/8-OD,.050THK,SST
7	06060015	2	CUSHION,ULTRASONIC-MOUNT,SILICONE
8	06140479	1	BRACKET,MOUNT,ULTRASONIC,HEAT,G5-S
9	06141764	1	BRACKET,MOUNT,ULTRASONIC,SST,LW20
10	06160599	1	COVER,ULTRASONIC,SST,LW2020
11	70116-SCS	2	SCREW,1/4-20x2.50,PPHMS,SST
12	70118-SCS	2	SCREW,1/4-20x3.00,PPHMS,SST
13	70180-HCS	2	SCREW,3/8-16x1.00,HHCS,SST
14	71011-NCS	4	NUT,1/4-20,HEX,LOCK,SST
15	71511-FS	6	WASHER,1/4,FLAT,SST
16	M690049	1	CAP,3.00x3.00x.083 TUBE,ABS,BLK

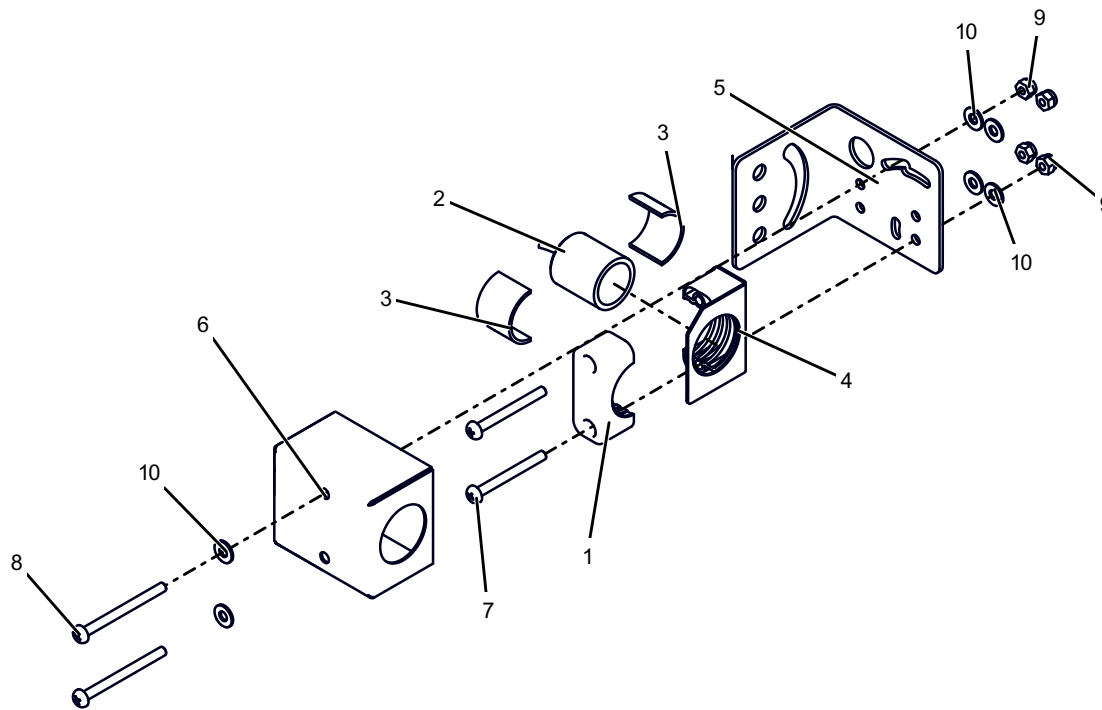
ULTRASONIC SENSOR WALL MOUNTED W HEAT

09160057



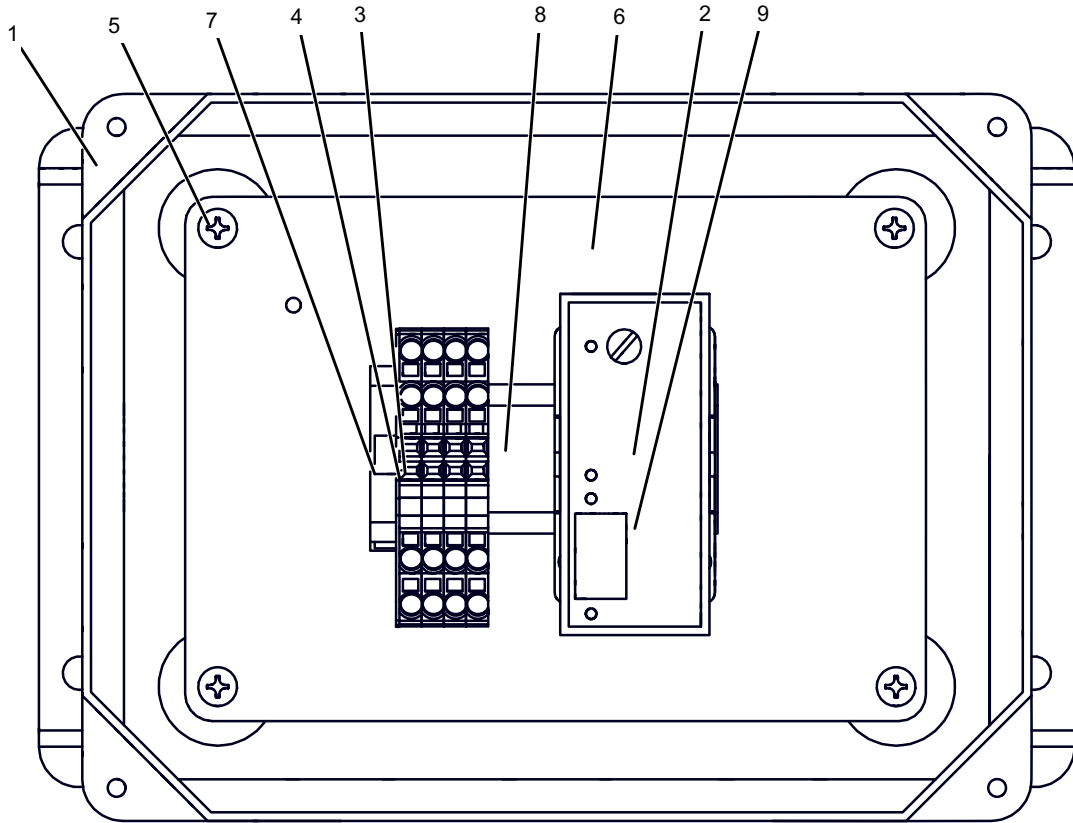
BOM ID	PartNo	Qty	Description
1	05050064	1	CLAMP,PIPE,1-1/4x2.75x1.125,POLYAMIDE
2	04420036	1	SENSOR,ULTRASONIC,75kHz,60'CBL,1.5"DIA
3	06060015	2	CUSHION,ULTRASONIC-MOUNT,SILICONE
4	06140479	1	BRACKET,MOUNT,ULTRASONIC,HEAT,G5-S
5	06141764	1	BRACKET,MOUNT,ULTRASONIC,SST,LW20
6	06160599	1	COVER,ULTRASONIC,SST,LW2020
7	70116-SCS	2	SCREW,1/4-20x2.50,PPHMS,SST
8	70118-SCS	2	SCREW,1/4-20x3.00,PPHMS,SST
9	71011-NCS	4	NUT,1/4-20,HEX,LOCK,SST
10	71511-FS	6	WASHER,1/4,FLAT,SST
11	04190036	1	HEATER,STRIP,20W,24VAC,W/THERMO,HOLE

ULTRASONIC SENSOR WALL MOUNTED 09160056



BOM ID	PartNo	Qty	Description
1	05050064	1	CLAMP,PIPE,1-1/4x2.75x1.125,POLYAMIDE
2	04420036	1	SENSOR,ULTRASONIC,75kHz,60'CBL,1.5"DIA
3	06060015	2	CUSHION,ULTRASONIC-MOUNT,SILICONE
4	06140479	1	BRACKET,MOUNT,ULTRASONIC,HEAT,G5-S
5	06141764	1	BRACKET,MOUNT,ULTRASONIC,SST,LW20
6	06160599	1	COVER,ULTRASONIC,SST,LW2020
7	70116-SCS	2	SCREW,1/4-20x2.50,PPHMS,SST
8	70118-SCS	2	SCREW,1/4-20x3.00,PPHMS,SST
9	71011-NCS	4	NUT,1/4-20,HEX,LOCK,SST
10	71511-FS	6	WASHER,1/4,FLAT,SST

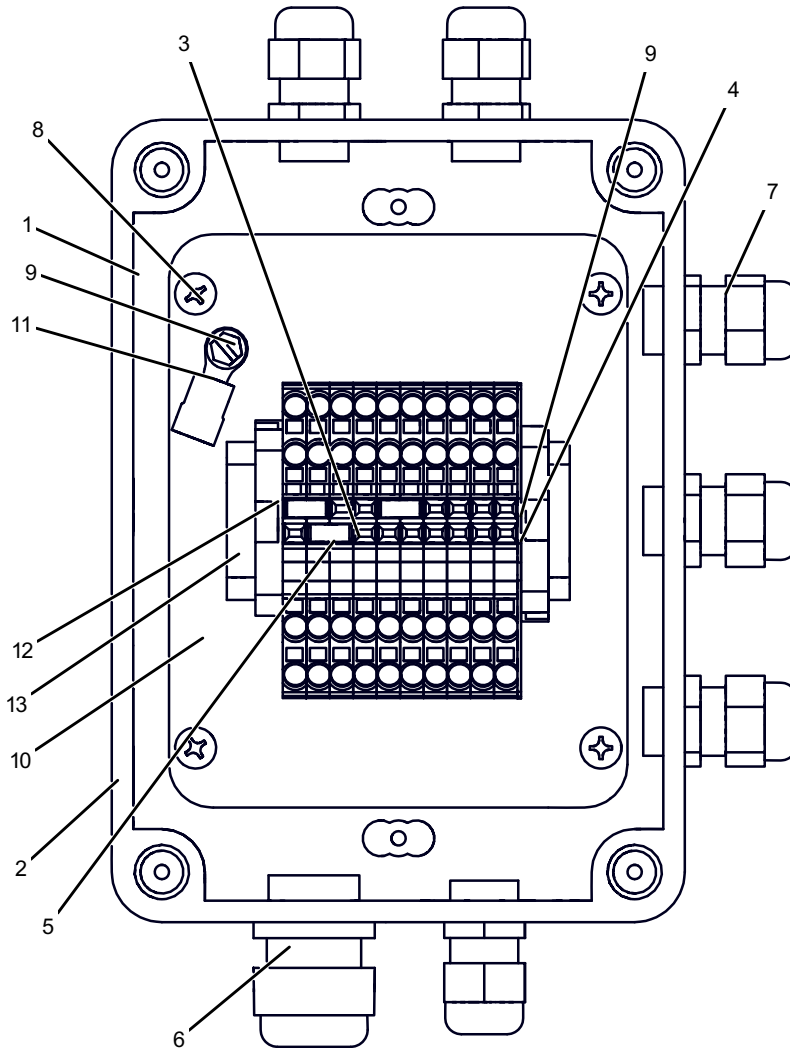
PHOTO EYE SENSOR CONTROL BOX 11010471



COVER_REMOVED

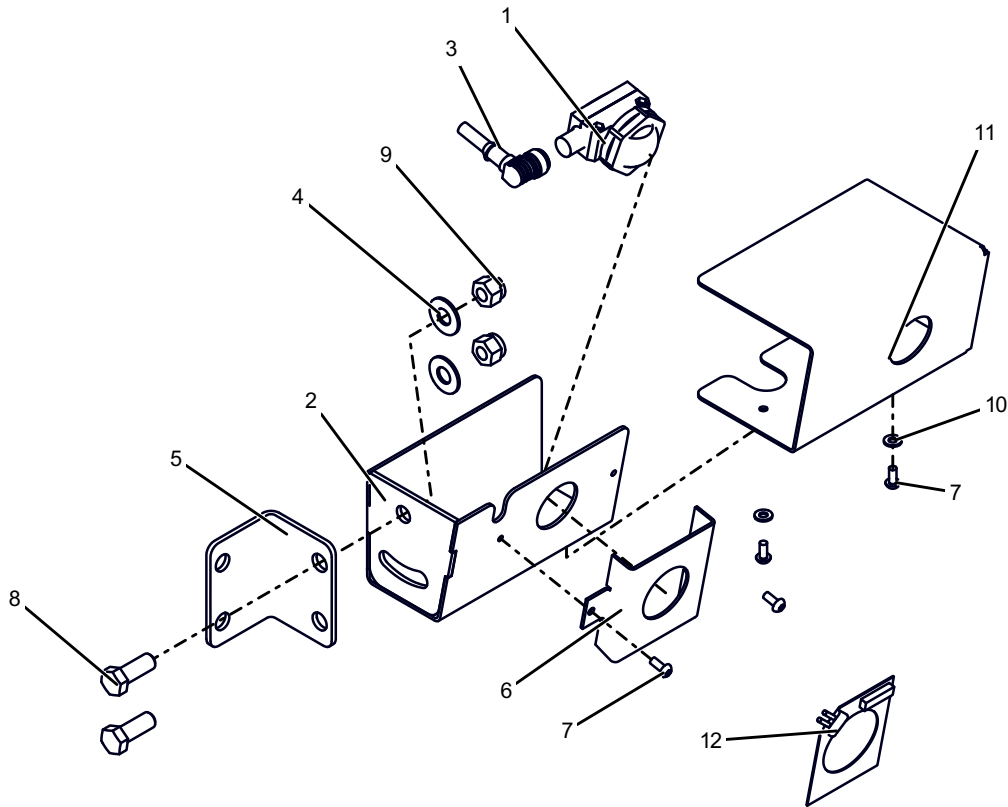
BOM ID	PartNo	Qty	Description
1	04090029	1	ENCLOSURE,8x6x6,FBRGL,NEMA4X
2	04060003	1	RELAY-SOCKET,11-PIN CIRC,300VAC,10A
3	04100105	4	TERMINAL-BLOCK,4P,20A,600V,AWG-22-12
4	04100106	1	TERMINAL,END-PLATE,2002-14xx,ORG
5	05040278	4	SCREW,#10-32x5/16",PRHMS,SST
6	06241138	1	PANEL,ELEC,BACK,AC-PHOTOEYE,LW2020
7	36650	1	END-STOP,6mm,PLST,GRAY,249-116
8	36950-3.00	1	DIN-RAIL,35mmx3.00",AL
9	93194	1	PHOTO-EYE,AMP,24VAC,10A,SPDT,11PIN

PRECISION PARKING CONTROL BOX 11010484



BOM ID	PartNo	Qty	Description
1	04090088	1	ENCLOSURE,5X7X3,POLYCARB,TANDEM
2	02220031	1	LABEL-RATING,PHOTOEYE,DC,2X,LW20
3	04100105	10	TERMINAL-BLOCK,4P,20A,600V,AWG-22-12
4	04100106	1	TERMINAL,END-PLATE,2002-14xx,ORG
5	04100107	3	TERMINAL-JUMPER,ADJACENT,2002,SERIES
6	04450016	1	STRAIN-RELIEF,M20, .276-.512",PLSTC
7	04450024	6	STRAIN-RELIEF, .138-.315",W/LOCKNUT,NYLON
8	05040278	4	SCREW,#10-32x5/16",PRHMS,SST
9	05040408	3	SCREW,#8-32X.5,HWHTCS,ZINC-PLT,ST
10	06241126	1	PLATE,ELEC,VEH-DETECT-JUNC-BOX,LW20
11	34516-NI	1	TERMINAL-RING,#10,12-10AWG,INSUL
12	36650	2	END-STOP,6mm,PLST,GRAY,249-116
13	36950-3.00	1	DIN-RAIL,.35mmx3.00",AL

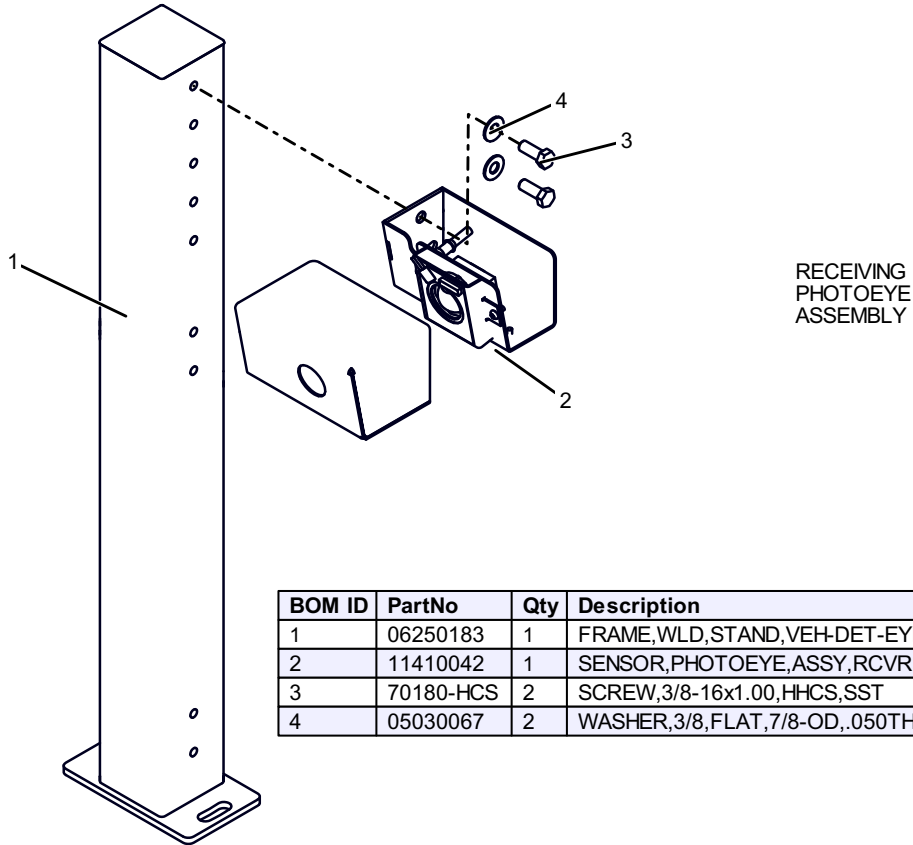
11410030 LONG VEHICLE LOADING WALL MOUNT W HEAT 09160032



BOM ID	PartNo	Qty	Description
1	04070004	1	PHOTO-EYE, THRU-BEAM,RCVR,30mm,BANNER-QS
2	06050152	1	HOUSING,MNT, SNSR, LONG-VEH-LOAD
3	04080040	1	CORDSET,12mm,5/22AWG,90°,60',PVC
4	05030067	2	WASHER,3/8,FLAT,7/8-OD,.050THK,SST
5	06141765	1	BRKT,WALL-MNT,VEH-DET-PHOTOEYE,SST,LW20
6	06141767	1	BRKT,HEATER,VEH-DET-PHOTOTEYE,SST,LW20
7	70033-SCS	4	SCREW,#8-32x.38,PRHMS,SST
8	70180-HCS	2	SCREW,3/8-16x1.00,HHCS,SST
9	71013-NCS	2	NUT,3/8-16,HEX,LOCK,SST
10	71508-FS	2	WASHER,#8,FLAT,SST
11	06160600	1	COVER,SNSR,VEH-DET-PHOTOEYE,SST,LW20
12	04190036	1	HEATER,STRIP,20W,24VAC,W/THERMO,HOLE

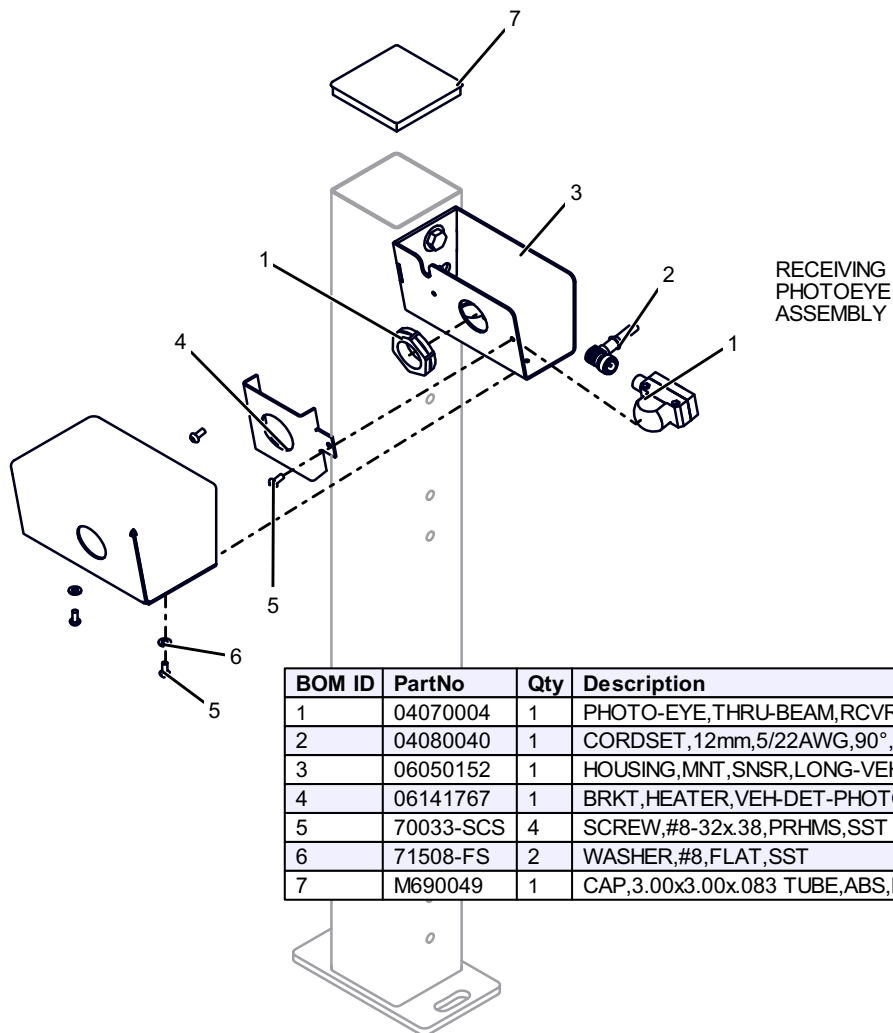
STAND MOUNT PHOTOEYE RECEIVER STAND

11410032 09160033



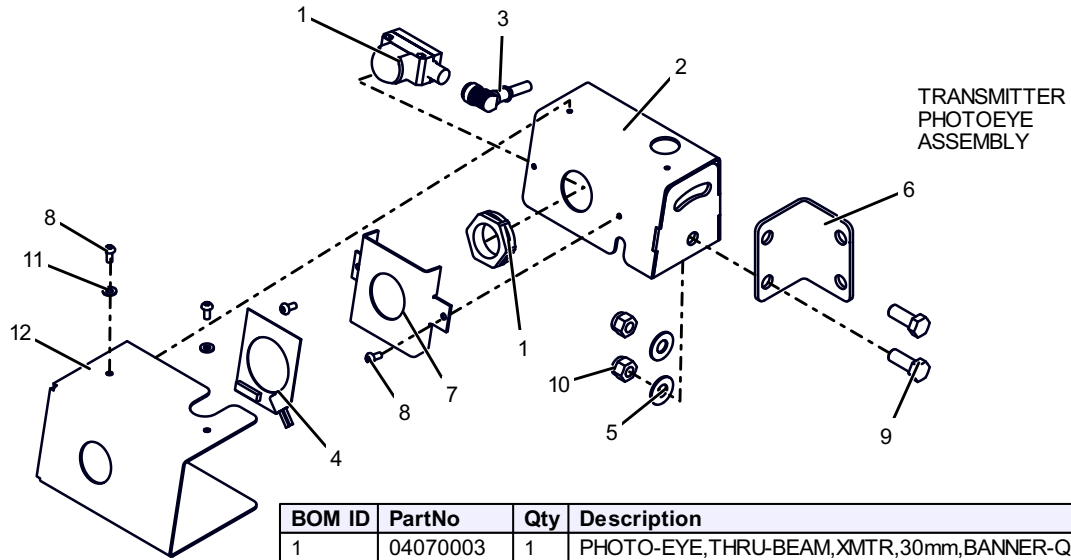
BOM ID	PartNo	Qty	Description
1	06250183	1	FRAME,WLD,STAND,VEH-DET-EYE,SST,LW20
2	11410042	1	SENSOR,PHOTOEYE,ASSY,RCVR,STAND-MTD,W/HE
3	70180-HCS	2	SCREW,3/8-16x1.00,HHCS,SST
4	05030067	2	WASHER,3/8,FLAT,7/8-OD,.050THK,SST

STAND MOUNT PHOTOEYE RECIVER 11410032 09160033



BOM ID	PartNo	Qty	Description
1	04070004	1	PHOTO-EYE, THRU-BEAM, RCVR, 30mm, BANNER-QS
2	04080040	1	CORDSET, 12mm, 5/22AWG, 90°, 60', PVC
3	06050152	1	HOUSING, MNT, SNSR, LONG-VEH-LOAD
4	06141767	1	BRKT, HEATER, VEH-DET-PHOTOTEYE, SST, LW20
5	70033-SCS	4	SCREW, #8-32x.38, PRHMS, SST
6	71508-FS	2	WASHER, #8, FLAT, SST
7	M690049	1	CAP, 3.00x3.00x.083 TUBE, ABS, BLK

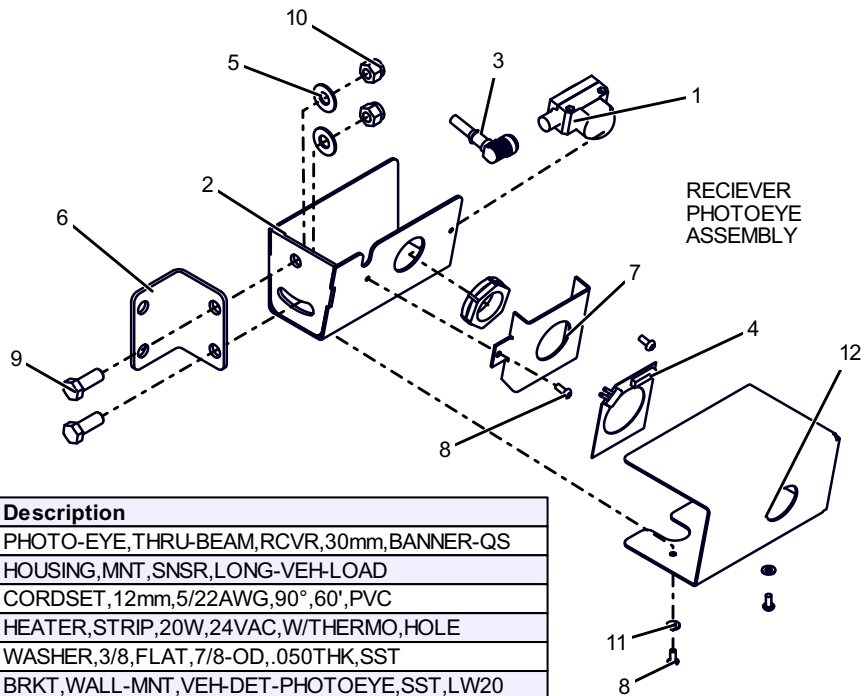
WALL MOUNT PHOTOEYE TRANSMITTER 11410037 09160031



BOM ID	PartNo	Qty	Description
1	04070003	1	PHOTO-EYE, THRU-BEAM, XMTR, 30mm, BANNER-QS
2	06050152	1	HOUSING, MNT, SNSR, LONG-VEH-LOAD
3	04080040	1	CORDSET, 12mm, 5/22AWG, 90°, 60', PVC
4	04190036	1	HEATER, STRIP, 20W, 24VAC, W/THERMO, HOLE
5	05030067	2	WASHER, 3/8, FLAT, 7/8-OD, .050THK, SST
6	06141765	1	BRKT, WALL-MNT, VEH-DET-PHOTOEYE, SST, LW20
7	06141767	1	BRKT, HEATER, VEH-DET-PHOTOTEYE, SST, LW20
8	70033-SCS	4	SCREW, #8-32x.38, PRHMS, SST
9	70180-HCS	2	SCREW, 3/8-16x1.00, HHCS, SST
10	71013-NCS	2	NUT, 3/8-16, HEX, LOCK, SST
11	71508-FS	2	WASHER, #8, FLAT, SST
12	06160600	1	COVER, SNSR, VEH-DET-PHOTOEYE, SST, LW20

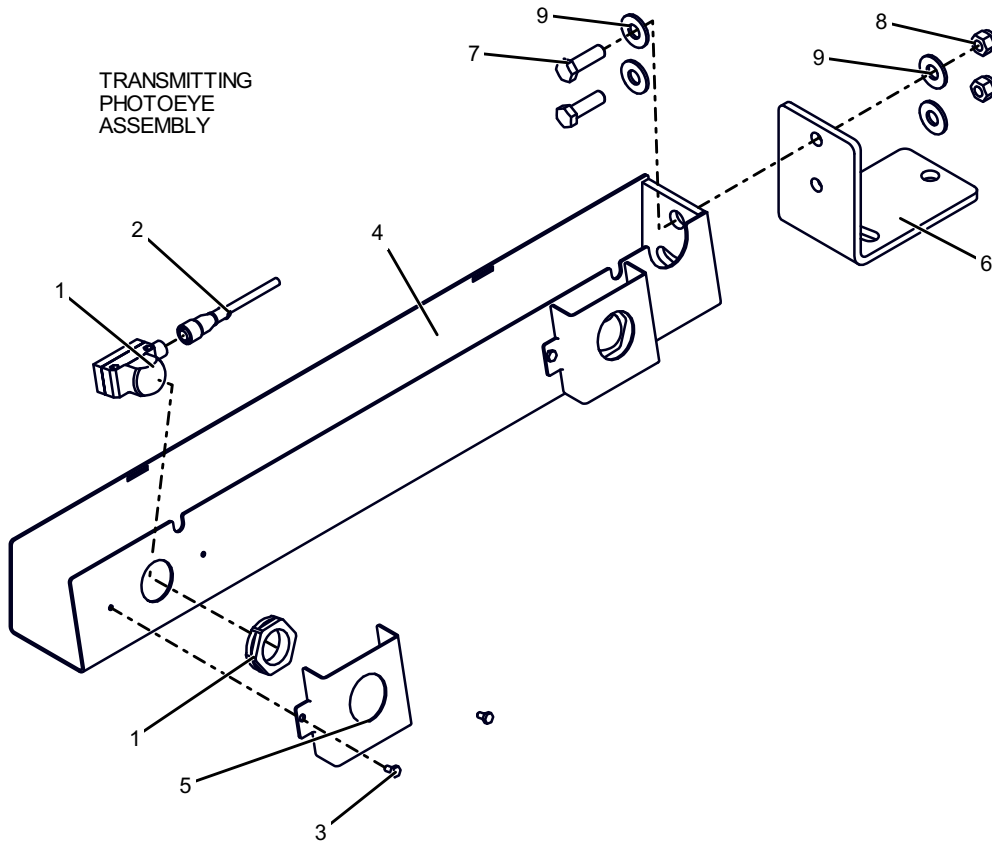
WALL MOUNT PHOTOEYE RECEIVER W HEAT

11410029 09160031



BOM ID	PartNo	Qty	Description
1	04070004	1	PHOTO-EYE, THRU-BEAM, RCVR, 30mm, BANNER-QS
2	06050152	1	HOUSING, MNT, SNSR, LONG-VEH-LOAD
3	04080040	1	CORDSET, 12mm, 5/22AWG, 90°, 60', PVC
4	04190036	1	HEATER, STRIP, 20W, 24VAC, W/THERMO, HOLE
5	05030067	2	WASHER, 3/8, FLAT, 7/8-OD, .050THK, SST
6	06141765	1	BRKT, WALL-MNT, VEH-DET-PHOTOEYE, SST, LW20
7	06141767	1	BRKT, HEATER, VEH-DET-PHOTOTEYE, SST, LW20
8	70033-SCS	4	SCREW, #8-32x.38, PRHMS, SST
9	70180-HCS	2	SCREW, 3/8-16x1.00, HHCS, SST
10	71013-NCS	2	NUT, 3/8-16, HEX, LOCK, SST
11	71508-FS	2	WASHER, #8, FLAT, SST
12	06160600	1	COVER, SNSR, VEH-DET-PHOTOEYE, SST, LW20

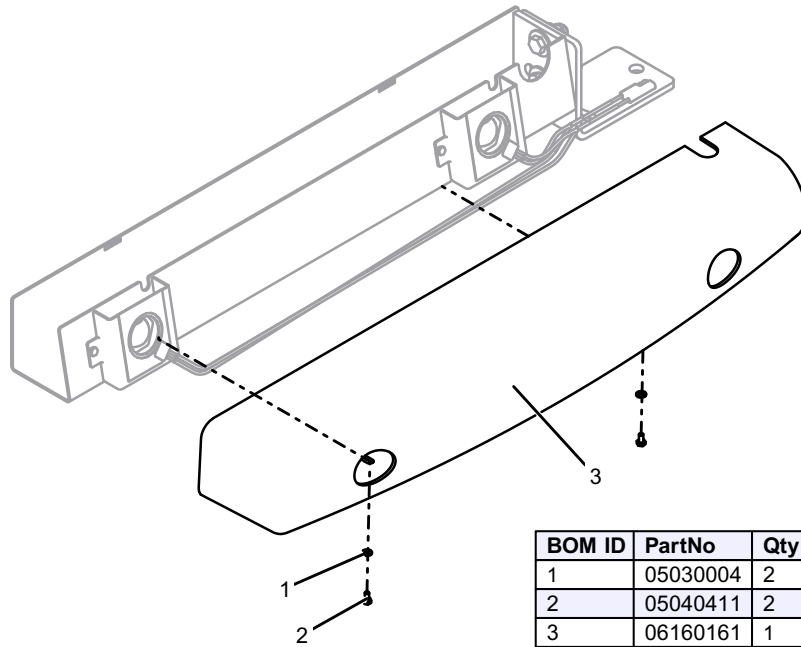
PRECISION LOADING TRANSMITTER 09160035



BOM ID	PartNo	Qty	Description
1	04070003	2	PHOTO-EYE, THRU-BEAM, XMTR, 30mm, BANNER-QS
2	04080006	2	CORDSET, 12mm, 5/22AWG, FEM, 60', PVC
3	05040411	4	SCREW, M4x8mm, HHCS, SST
4	06050010	1	HOUSING, VT, LOADING-EYE-MOUNT, SST
5	06050014	2	HOUSING, HEATER, VT-LOADING, LW4K
6	06141766	1	BRKT, STAND-MNT, VEH-DET-PHOTOEYE, SST, LW20
7	70181-HCS	2	SCREW, 3/8-16x1.25, HHCS, SST
8	71013-NCS	2	NUT, 3/8-16, HEX, LOCK, SST
9	71513-FS	4	WASHER, 3/8, FLAT, 1-OD, .083THK, SST

PRECISION LOADING TRANSMITTER COVER

09160035 09160036

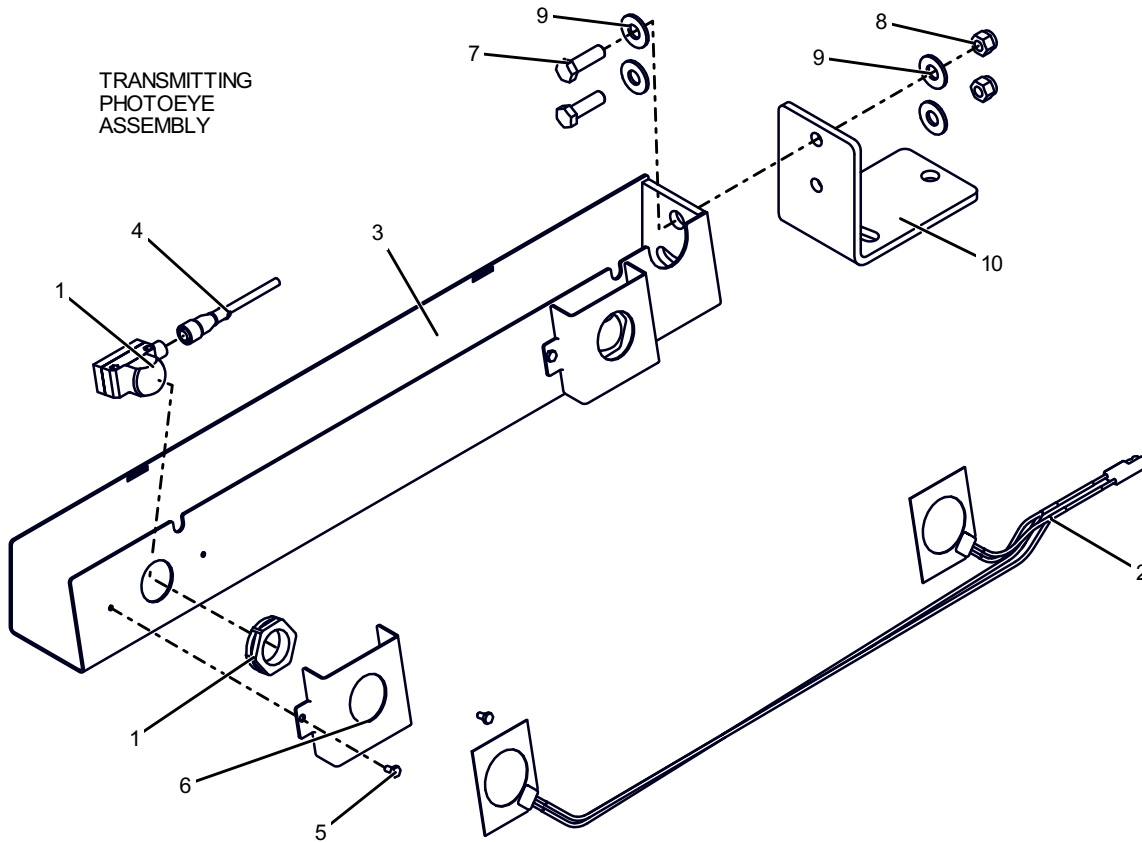


TRANSMITTER
PHOTOEYE
ASSEMBLY

BOM ID	PartNo	Qty	Description
1	05030004	2	WASHER,M4,FLAT,SST
2	05040411	2	SCREW,M4x8mm,HHCS,SST
3	06160161	1	COVER,VT,LOADING,EYES,ABS

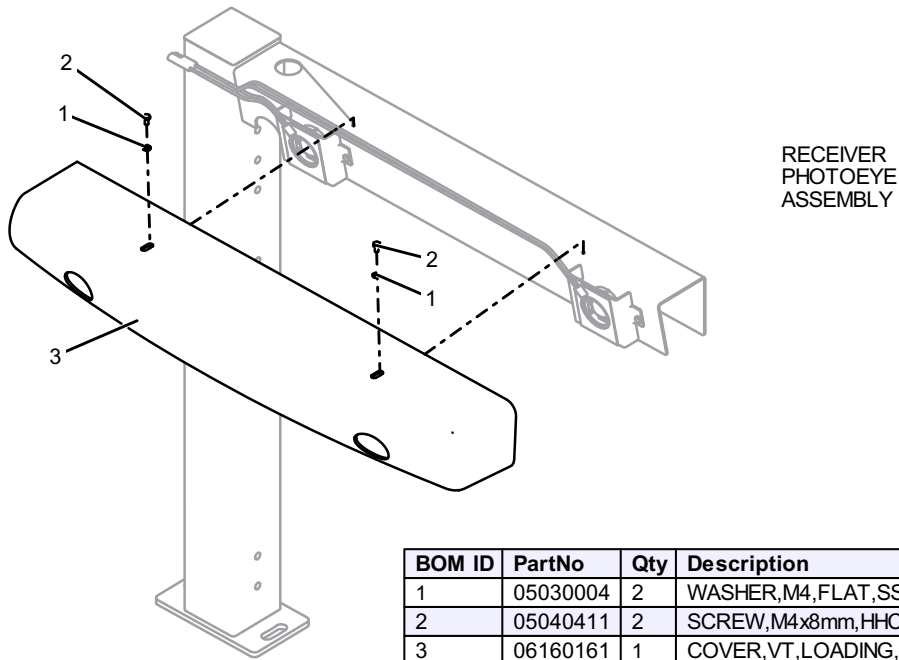
PRECISION LOADING TRANSMITTER W HEAT

09160036



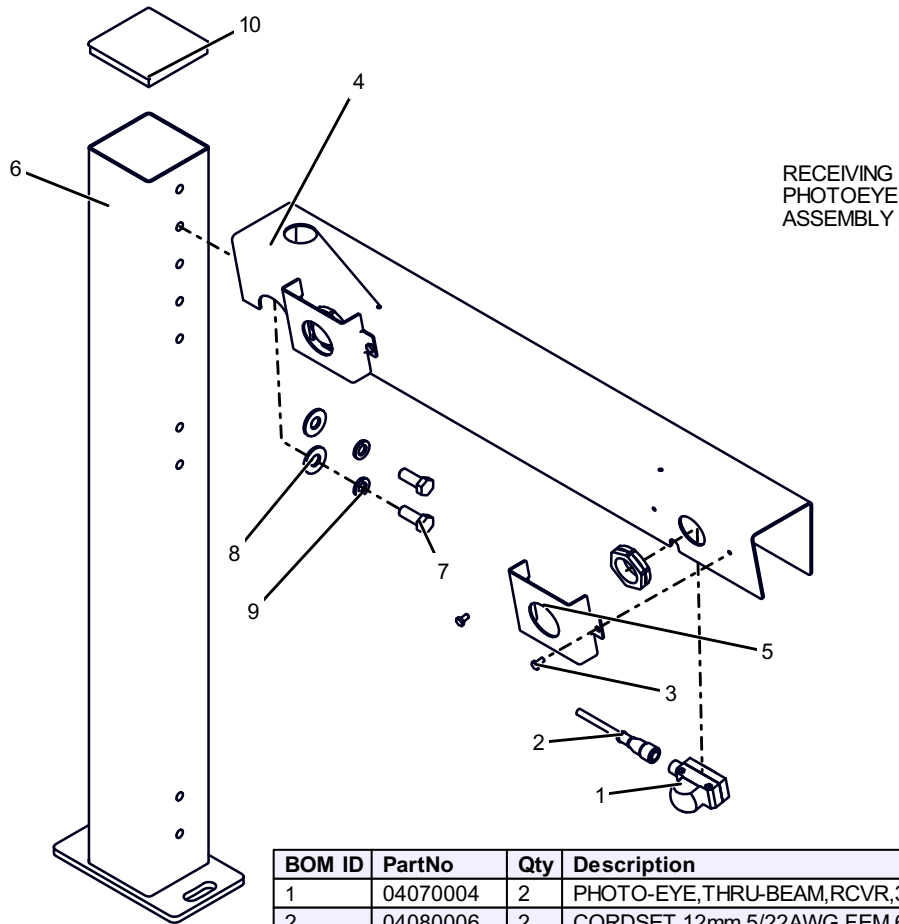
BOM ID	PartNo	Qty	Description
1	04070003	2	PHOTO-EYE, THRU-BEAM, XMTR, 30mm, BANNER-QS
2	04080035	1	HARNESS, HEATER, VT, SENSOR, HEAT, 30MM
3	06050010	1	HOUSING, VT, LOADING-EYE-MOUNT, SST
4	04080006	2	CORDSET, 12mm, 5/22AWG, FEM, 60', PVC
5	05040411	4	SCREW, M4x8mm, HHCS, SST
6	06050014	2	HOUSING, HEATER, VT-LOADING, LW4K
7	70181-HCS	2	SCREW, 3/8-16x1.25, HHCS, SST
8	71013-NCS	2	NUT, 3/8-16, HEX, LOCK, SST
9	71513-FS	4	WASHER, 3/8, FLAT, 1-OD, .083THK, SST
10	06141766	1	BRKT, STAND-MNT, VEH-DET-PHOTOEYE, SST, LW20

PRECISION LOADING RECEIVER COVER 09160035 09160036



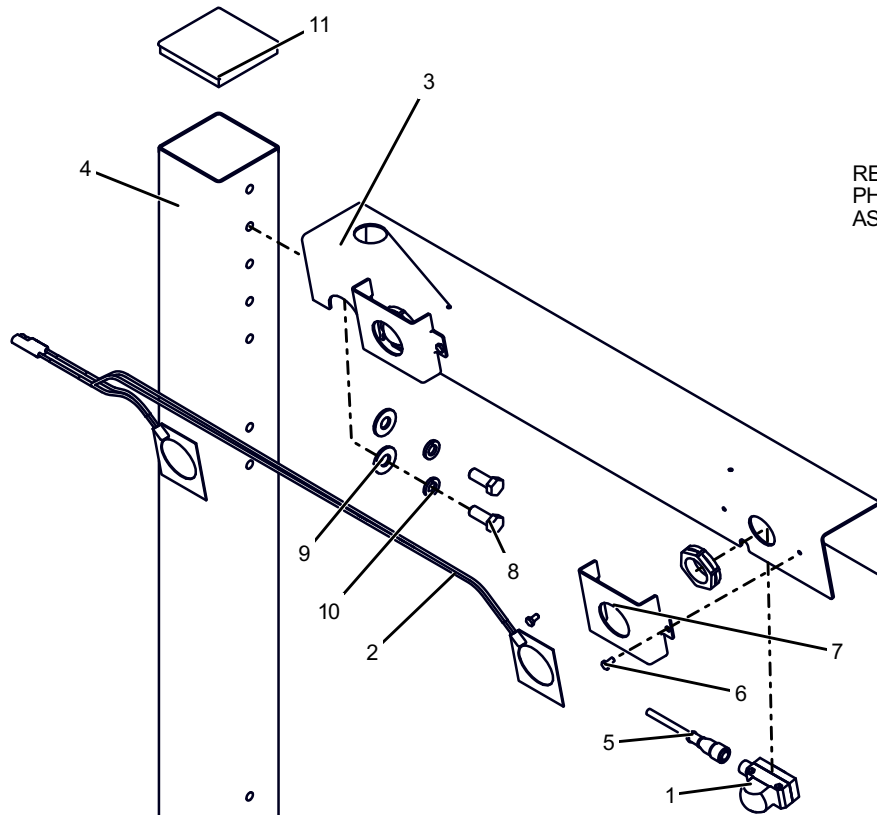
BOM ID	PartNo	Qty	Description
1	05030004	2	WASHER,M4,FLAT,SST
2	05040411	2	SCREW,M4x8mm,HHCS,SST
3	06160161	1	COVER,VT,LOADING,EYES,ABS

PRECISION LOADING RECEIVER 09160035



BOM ID	PartNo	Qty	Description
1	04070004	2	PHOTO-EYE, THRU-BEAM, RCVR, 30mm, BANNER-QS
2	04080006	2	CORDSET, 12mm, 5/22AWG, FEM, 60', PVC
3	05040411	4	SCREW, M4x8mm, HHCS, SST
4	06050010	1	HOUSING, VT, LOADING-EYE-MOUNT, SST
5	06050014	2	HOUSING, HEATER, VT-LOADING, LW4K
6	06250183	1	FRAME, WLD, STAND, VEH-DET-EYE, SST, LW20
7	70180-HCS	2	SCREW, 3/8-16x1.00, HHCS, SST
8	71513-FS	2	WASHER, 3/8, FLAT, 1-OD, .083THK, SST
9	71513-LS	2	WASHER, 3/8, LOCK, SST
10	M690049	1	CAP, 3.00x3.00x.083 TUBE, ABS, BLK

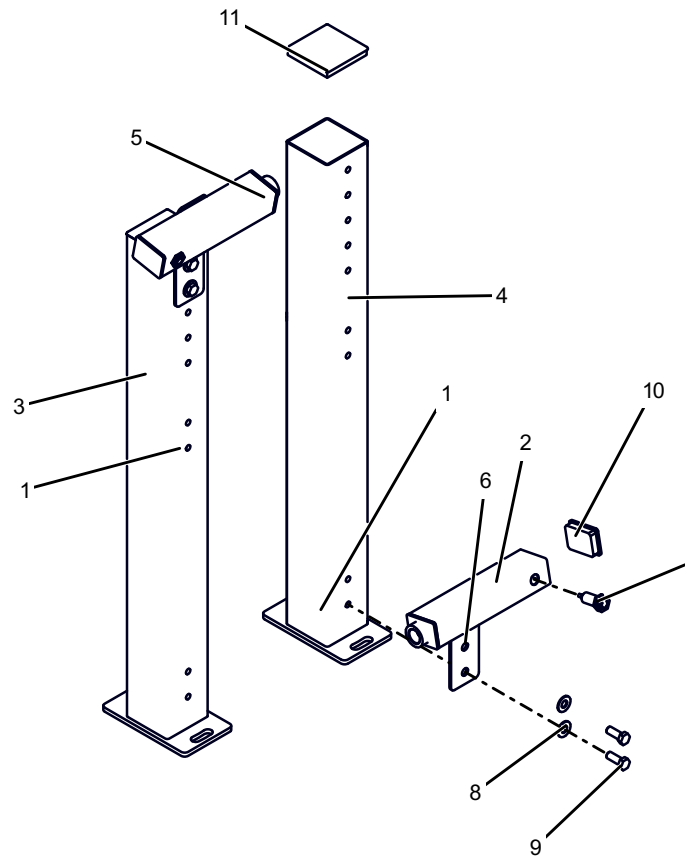
PRECISION LOADING RECEIVER W HEAT 09160036



RECEIVING
PHOTOEYE
ASSEMBLY

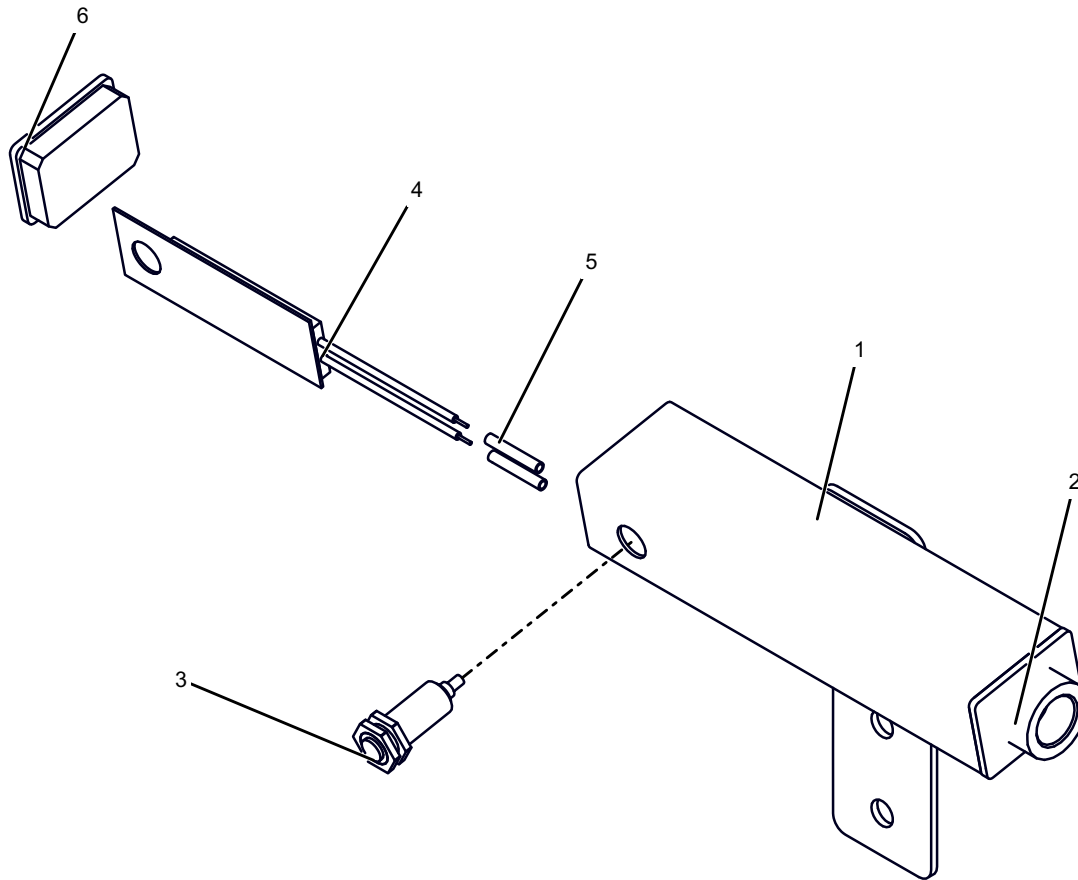
BOM ID	PartNo	Qty	Description
1	04070004	2	PHOTO-EYE, THRU-BEAM, RCVR, 30mm, BANNER-QS
2	04080035	1	HARNES, HEATER, VT, SENSOR, HEAT, 30MM
3	06050010	1	HOUSING, VT, LOADING-EYE-MOUNT, SST
4	06250183	1	FRAME, WLD, STAND, VEH-DET-EYE, SST, LW20
5	04080006	2	CORDSET, 12mm, 5/22AWG, FEM, 60', PVC
6	05040411	4	SCREW, M4x8mm, HHCS, SST
7	06050014	2	HOUSING, HEATER, VT-LOADING, LW4K
8	70180-HCS	2	SCREW, 3/8-16x1.00, HHCS, SST
9	71513-FS	2	WASHER, 3/8, FLAT, 1-OD, .083THK, SST
10	71513-LS	2	WASHER, 3/8, LOCK, SST
11	M690049	1	CAP, 3.00x3.00x.083 TUBE, ABS, BLK

PHOTO EYE SENSOR ACTIVATION STAND MOUNT 09160040



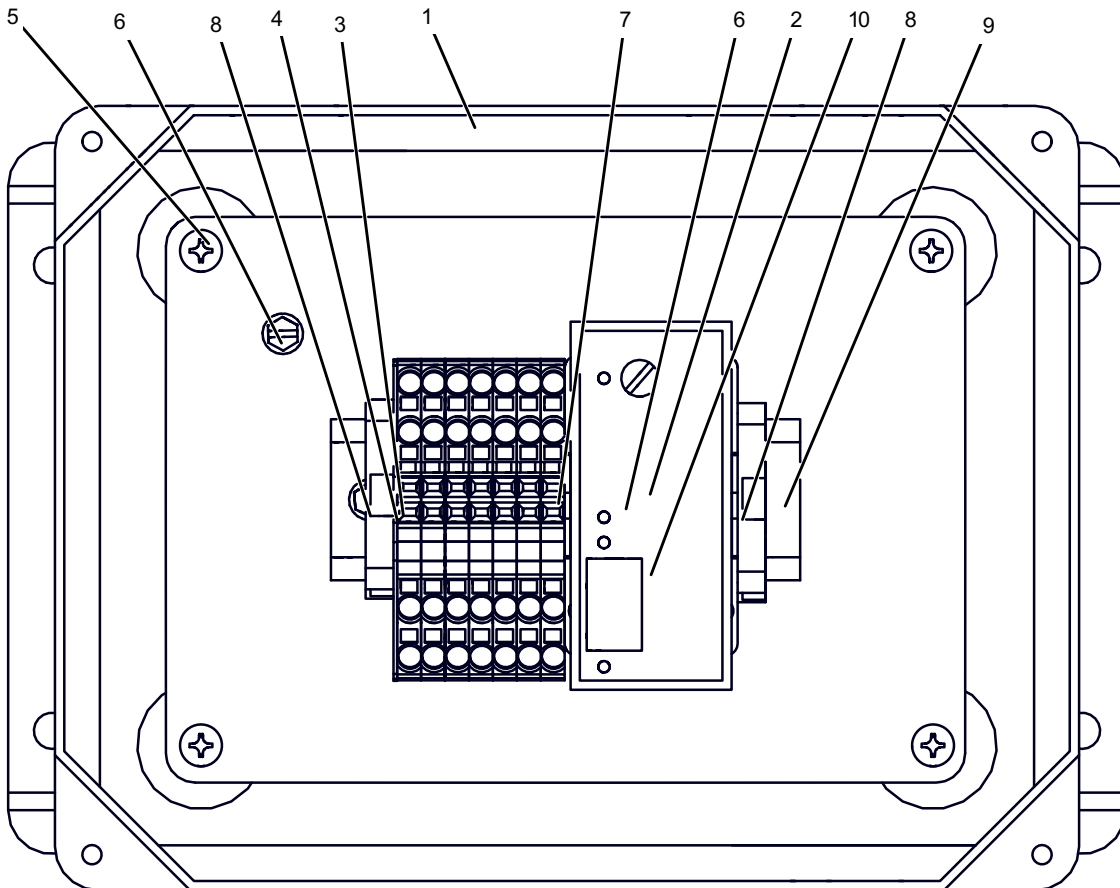
BOM ID	PartNo	Qty	Description
1	06250183	2	FRAME,WLD,STAND,VEH-DET-EYE,SST,LW20
2	11410045	1	SENSOR,PHOTOEYE,WALL-MNT,P/S,SVCE-ACTVTR
3	11410047	1	SENSOR,PHOTOEYE,WALL-MNT,D/S,SVCE-ACTVTR
4	11410049	1	SENSOR,PHOTOEYE,STND-MNT,P/S,SVCE-ACTVTR
5	06050163	1	HOUSING,SNSR,PHOTOEYE,D/S,SVCE-ACTVTR,LW
6	06050164	1	HOUSING,SNSR,PHOTOEYE,P/S,SVCE-ACTVTR,LW
7	93176	2	PHOTO-EYE,THRU-BEAM,SET,14MM,CARLO
8	05030067	4	WASHER,3/8,FLAT,7/8-OD,.050THK,SST
9	70180-HCS	4	SCREW,3/8-16x1.00,HHCS,SST
10	M690000	2	CAP,1-1/2X2,TUBE,UHMW
11	M690049	2	CAP,3.00x3.00x.083 TUBE,ABS,BLK

PHOTOEYE ACTIVATION WALL MOUNT W HEAT 09160039



BOM ID	PartNo	Qty	Description
1	11410047	1	SENSOR,PHOTOEYE,WALL-MNT,D/S,SVCE-ACTVTR
2	06050163	1	HOUSING,SNSR,PHOTOEYE,D/S,SVCE-ACTVTR,LW
3	93176	1	PHOTO-EYE,THRU-BEAM,SET,14MM,CARLO
4	M230002	1	HEATER,W/SUPPORT,20W,24VAC, U/C
5	34573-NI	2	WIRE TERM BUTT CONN 22-18GA NYLON-INS
6	M690000	1	CAP,1-1/2X2,TUBE,UHMW

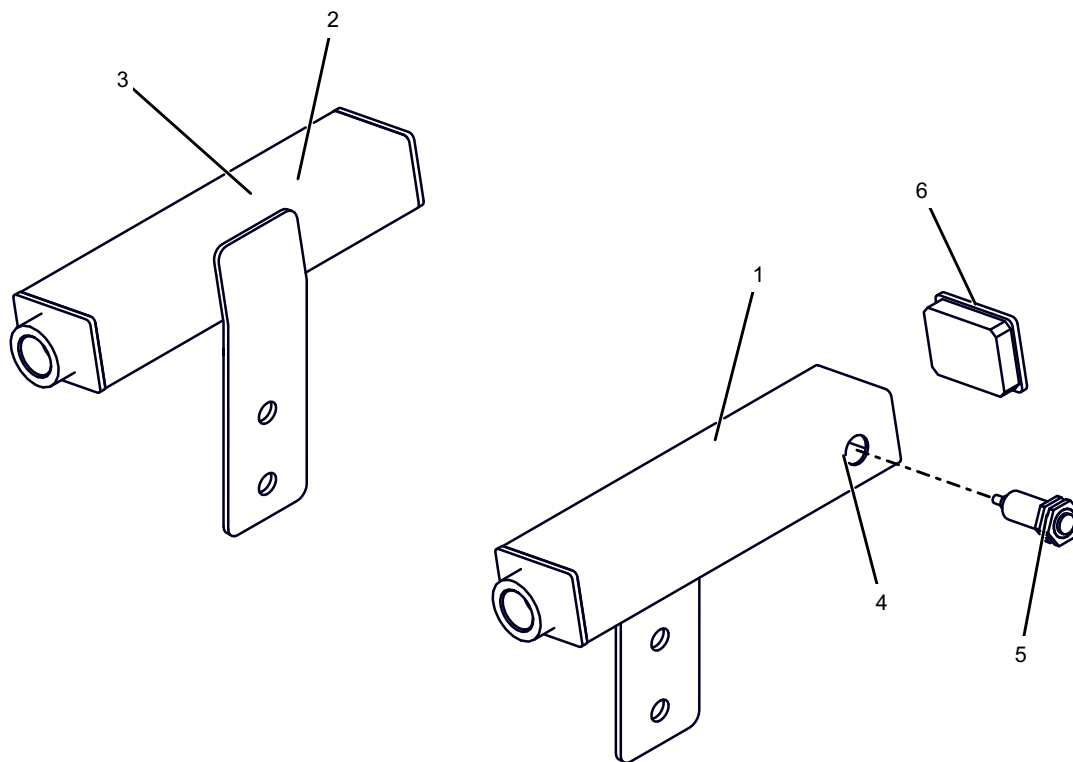
PHOTOEYE ACTIVATION CONTROL BOX 09160038 11010471



COVER NOT SHOWN

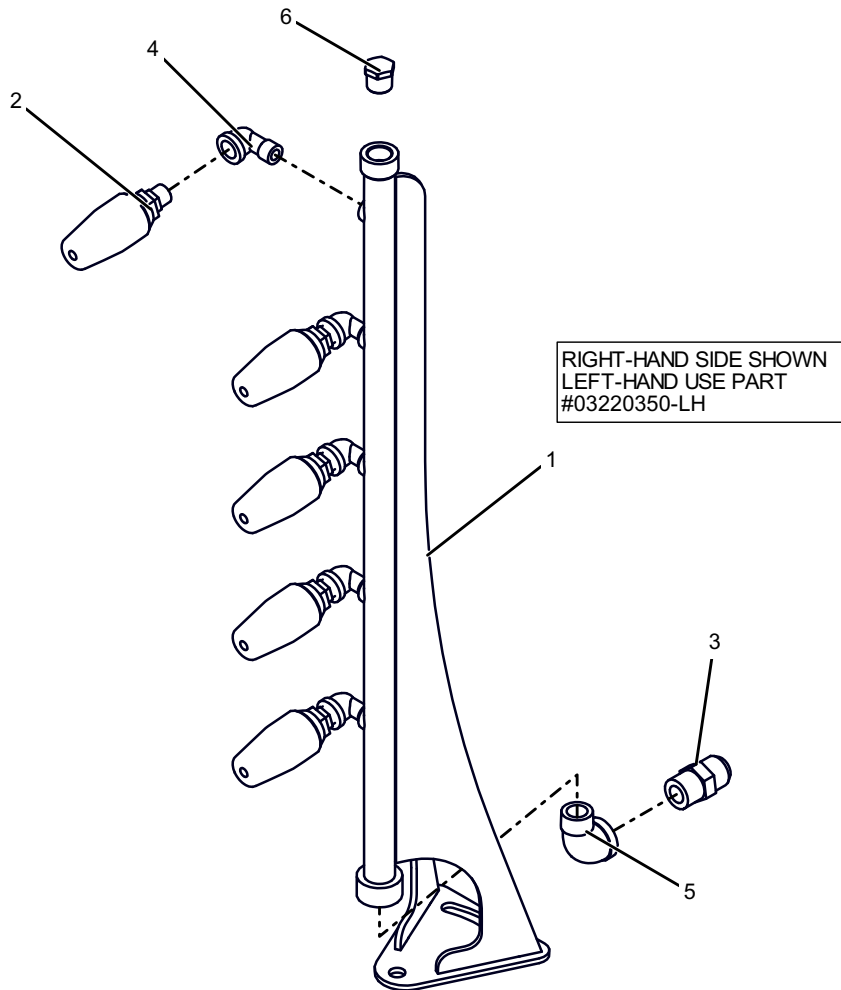
BOM ID	PartNo	Qty	Description
1	04090029	1	ENCLOSURE,8x6x6,FBRGL,NEMA4X
2	04060003	1	RELAY-SOCKET,11-PIN CIRC,300VAC,10A
3	04100105	7	TERMINAL-BLOCK,4P,20A,600V,AWG-22-12
4	04100106	1	TERMINAL,END-PLATE,2002-14xx,ORG
5	05040278	4	SCREW,#10-32x5/16",PRHMS,SST
6	05040408	3	SCREW,#8-32X5,HWHTCS,ZINC-PLT,ST
7	06241138	1	PANEL,ELEC,BACK,AC-PHOTOEYE,LW2020
8	36650	2	END-STOP,6mm,PLST,GRAY,249-116
9	36950-4.00	1	DIN-RAIL,35mmx4.00",AL
10	93194	1	PHOTO-EYE,AMP,24VAC,10A,SPDT,11PIN

PHOTOEYE ACTIVATION WALL MOUNT 09160038



BOM ID	PartNo	Qty	Description
1	11410045	1	SENSOR,PHOTOEYE,WALL-MNT,P/S,SVCE-ACTVTR
2	11410047	1	SENSOR,PHOTOEYE,WALL-MNT,D/S,SVCE-ACTVTR
3	06050163	1	HOUSING,SNSR,PHOTOEYE,D/S,SVCE-ACTVTR,LW
4	06050164	1	HOUSING,SNSR,PHOTOEYE,P/S,SVCE-ACTVTR,LW
5	93176	2	PHOTO-EYE,THRU-BEAM,SET,14MM,CARLO
6	M690000	2	CAP,1-1/2X2,TUBE,UHMW

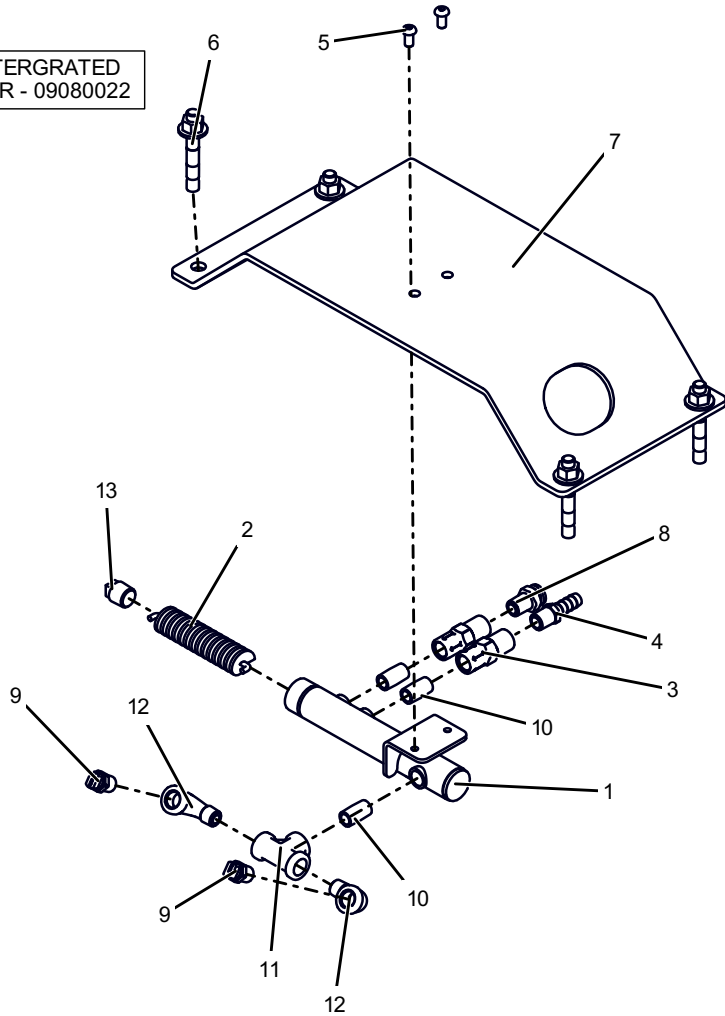
SIDE COMBO CLEANER TOWER 11130035



BOM ID	PartNo	Qty	Description
1	03220350-RH	1	MANIFOLD,WELDMNT,TOWER,LOWPRO,RH
2	03230077	5	NOZZLE,ROTATING,20DEG-6.5,BRASS
3	44568	1	ADAPTER,#12JIC,37MX3/4MPT,Z-PLT
4	67489-4S	5	ELBOW,STREET,3/8NPT,90DEG,SST
5	67493-4S	1	ELBOW,STREET,3/4NPT,90DEG,SC40,SST
6	67653-S	1	PLUG,1/2NPT,HEX-HD,SST

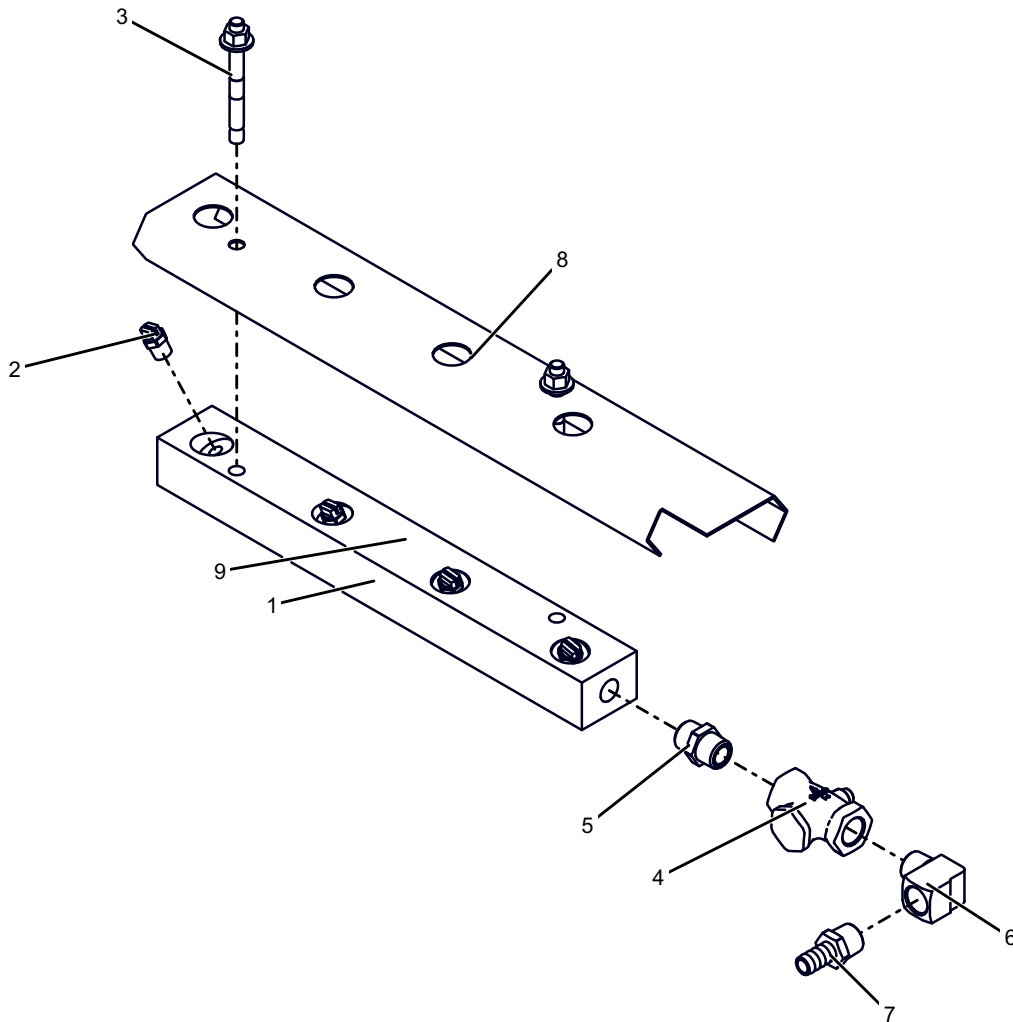
WHEEL CLEANER FLOOR APPLICATOR 11130036 09080022

INCLUDED IN INTERGRATED
WHEEL CLEANER - 09080022



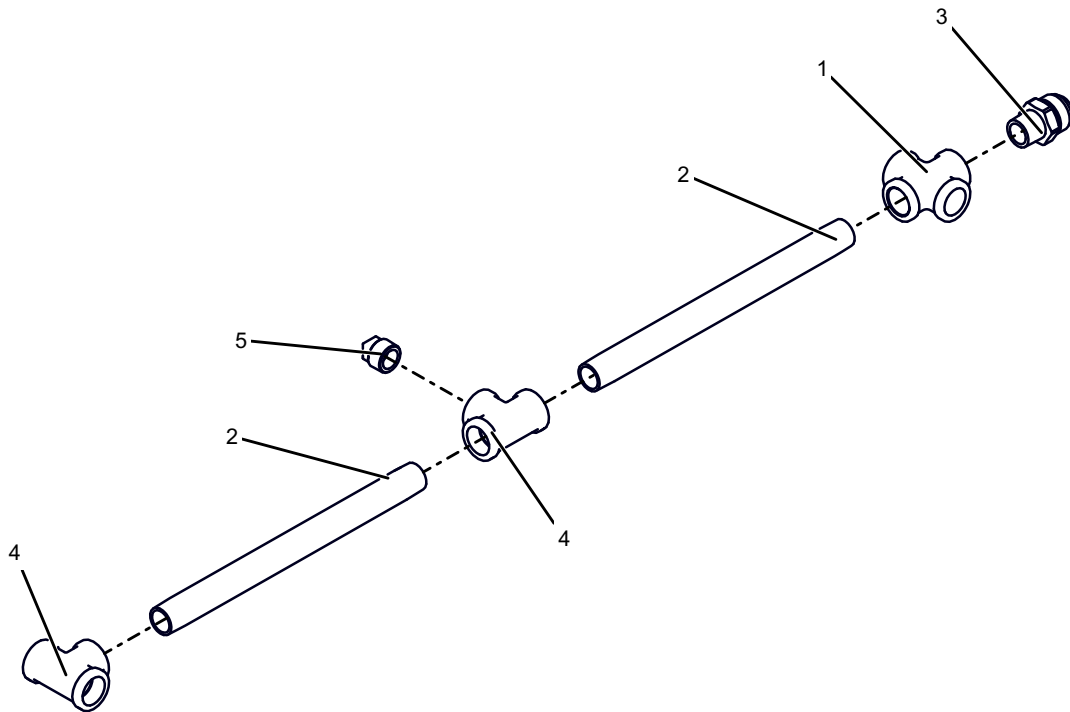
BOM ID	PartNo	Qty	Description
1	03220355	1	MANIFOLD,FOAMER,APPLICATOR,INT-TCA
2	03260002	1	MIXER,BRUSH,FOAMER,.875X4,3X/SS,LW360P
3	03010076	2	VALVE,CHECK,1/4NPT,5PSI,SST
4	03310007	1	HOSE-BARB,3/8HX1/4MNPT,316SST
5	05040173	2	SCREW,1/4-20X.50,HSBHCS,SST
6	05090004	4	ANCHOR,CONCRETE,STUD,3/8-16x2-3/4",SST
7	06160552	1	COVER,FOAMER,APPLICATOR,INT-TCA
8	24036-PB	1	TUBE-FTG,CONN,3/8TX1/4NPT,PUSH,BRS
9	64158-4M	2	NOZZLE,FAN,4006,1/4"NPT,SST
10	67011-4S	3	NIPPLE,1/4NPTxCLOSE,SC40,SST
11	67105-4S	1	TEE,1/4NPT,PIPE,SC40,SST,SP114
12	67487-4S	2	ELBOW,STREET,1/4NPT,90DEG,SC40,SST
13	67602-S	1	PLUG,3/8NPT,SQ-HD,SST

RUST INHIBITOR ASSEMBLY 09120039



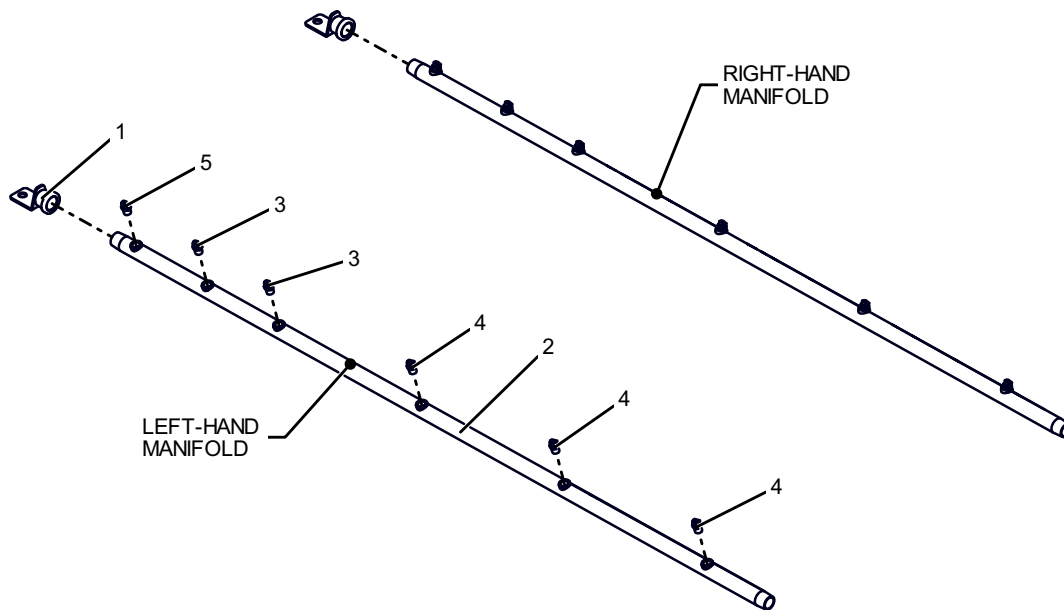
BOM ID	PartNo	Qty	Description
1	M920320	1	RUST INHIBITOR ASSEMBLY
2	03230002	4	NOZZLE, SPRAY, 4008, 1/4MPT, SST
3	05090007	2	ANCHOR, STUD, 3/8-16UNCx3.75", SST
4	63118	1	VALVE, CHECK, 1/2FNPT, 250PSI, BRONZE
5	67058-4N	1	NIPPLE, HEX, 1/2NPT, NYL
6	67491-4B	1	ELBOW, STREET, 1/2NPT, 90DEG, SC40, BRS
7	68117-MHB	1	HOSE-BARB, 1/2Hx1/2MNPT, BRS
8	M500132	1	COVER, RUST-INHIBITOR, 16GA-SST
9	M690151	1	MANIFOLD, 5-PORT, RUST-INHIBITOR, PVC

INPLACE UNDERBODY MANIFOLD CENTER MANIFOLD 11250299



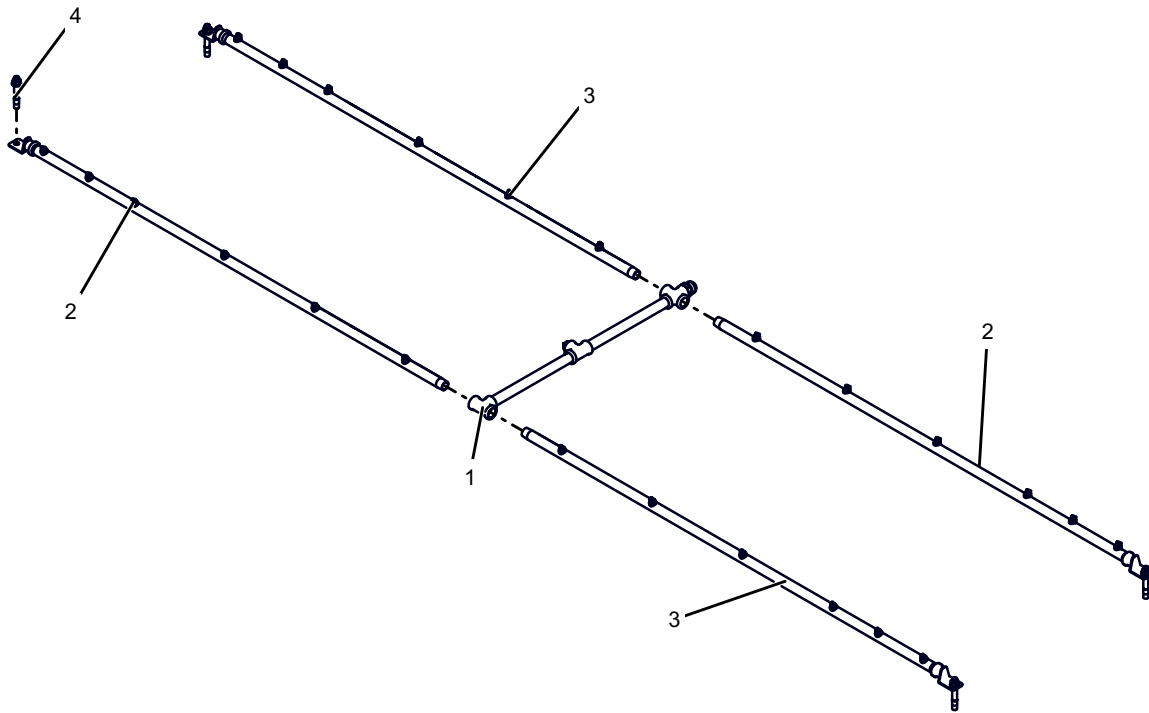
BOM ID	PartNo	Qty	Description
1	03060001	1	CROSS,3/4NPT,SCH40,SST
2	03130028	2	NIPPLE,3/4NPTx12.00",SC40,SST
3	03140045	1	ADAPTER,#16-MJICx3/4MPT,Z-PLT
4	67120-4S	2	TEE,3/4NPT,PIPE,SC40,SST,SP114
5	67604-S	1	PLUG,3/4NPT,SQ-HD,SST

INPLACE UNDERBODY MANIFOLD SIDE MANIFOLDS 11250299



BOM ID	PartNo	Qty	Description
1	03100019	2	CAP,3/4NPT,SCH40,WELDED,W/BRACKET,SST
2	03220235	2	MANIFOLD,PIPE,3/4",SCH40,6-1/4-PORTS,SST
3	64080-4M	4	NOZZLE,FAN,1503,1/4"NPT,SST
4	64116-4M	6	NOZZLE,FAN,2503,1/4"NPT,SST
5	64152-4M	2	NOZZLE,FAN,4003,1/4"NPT,SST

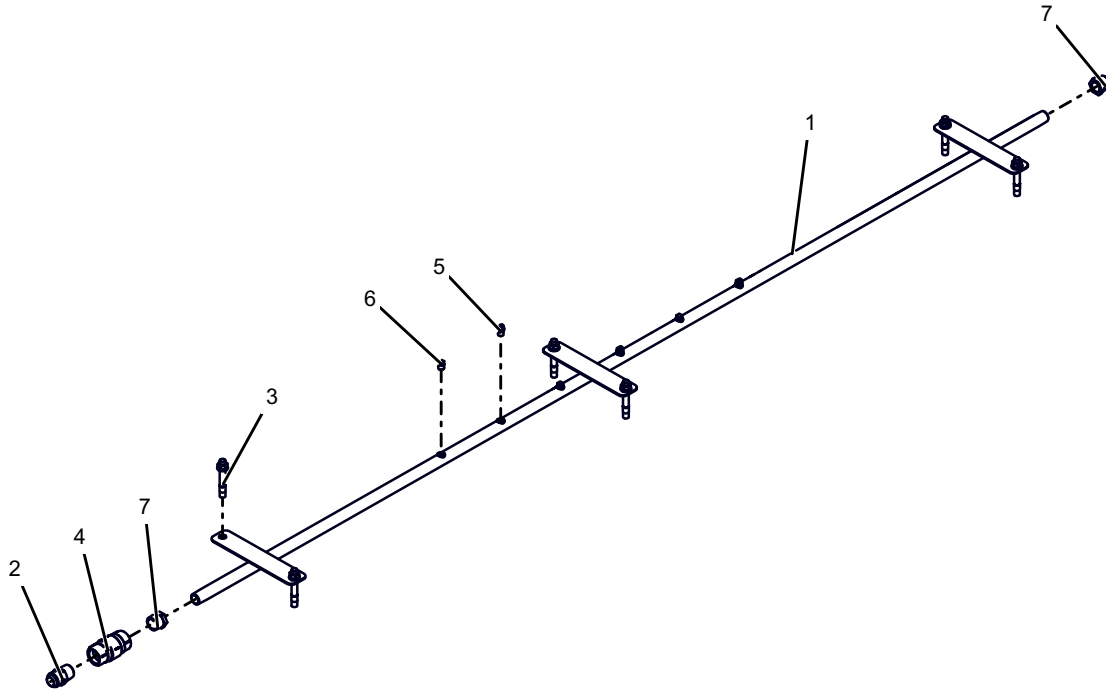
INPLACE UNDERBODY MANIFOLD ASSEMBLY 11250299



BOM ID	PartNo	Qty	Description
1	11250300	1	MANIFOLD,UNDERBODY,IN-PLACE,CENTER,HP,LW360P
2	11250301-LH	2	MANIFOLD,UNDERBODY,IN-PLACE,W-NOZ,HP,360P,LH
3	11250301-RH	2	MANIFOLD,UNDERBODY,IN-PLACE,W-NOZ,HP,360P,RH
4	05090001	4	ANCHOR,STUD,1/2-13UNCx3-3/4",SST

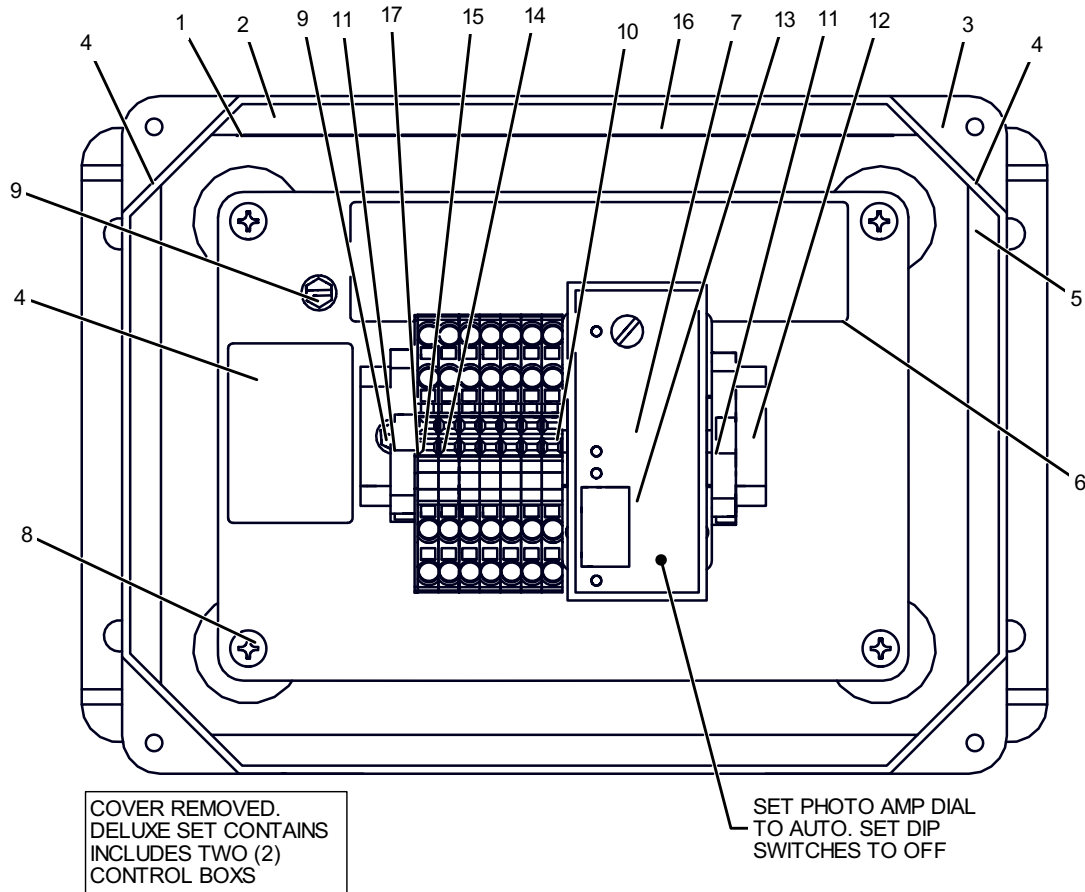
UNDERBODY MANIFOLD WITHOUT SIDE BLASTERS

09120019



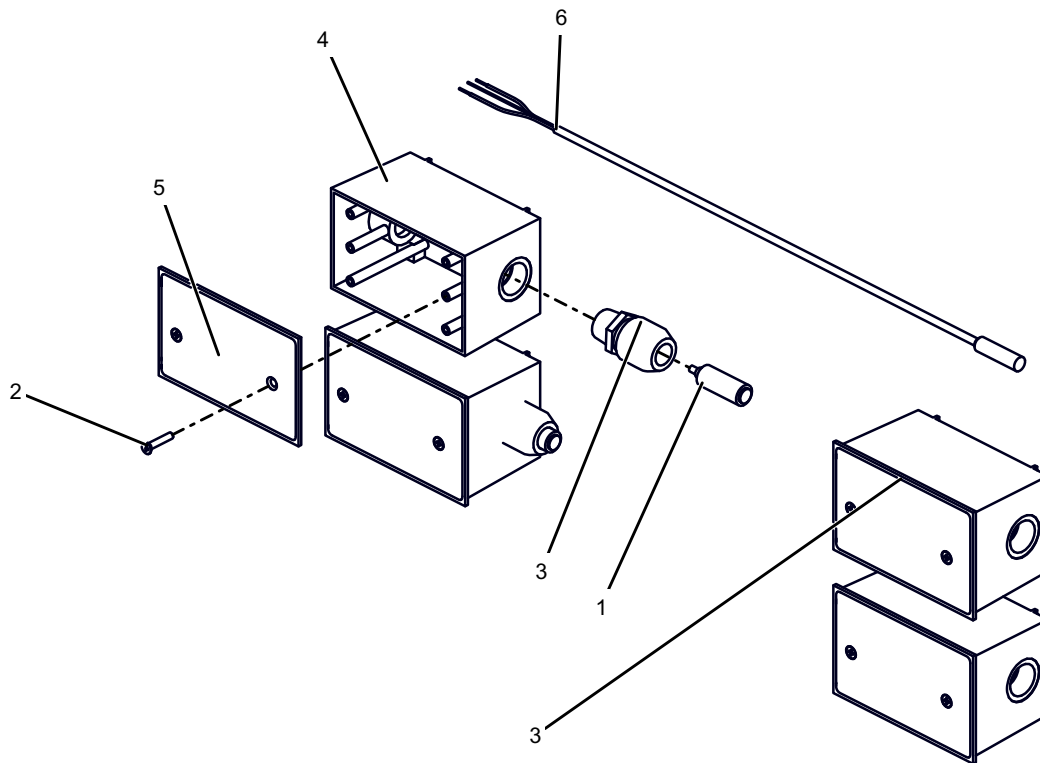
BOM ID	PartNo	Qty	Description
1	M360037	1	MANIFOLD, UNDERBODY, SST
2	03140044	1	ADAPTER, #16-MJICx1MPT, Z-PLT
3	05090001	6	ANCHOR, STUD, 1/2-13UNCx3-3/4", SST
4	63120	1	VALVE, CHECK, 1NPT, 400PSI, 0.5#, BRONZE
5	64636-4M	3	NOZZLE, V-JET, 8003, 1/4"NPT, SST
6	67601-S	3	PLUG, 1/4NPT, SQ-HD, SST
7	67714-S	2	BUSHING, 1NPTx3/4NPT, SST

DELUXE DOOR CONTROLS CONTROL 09230055



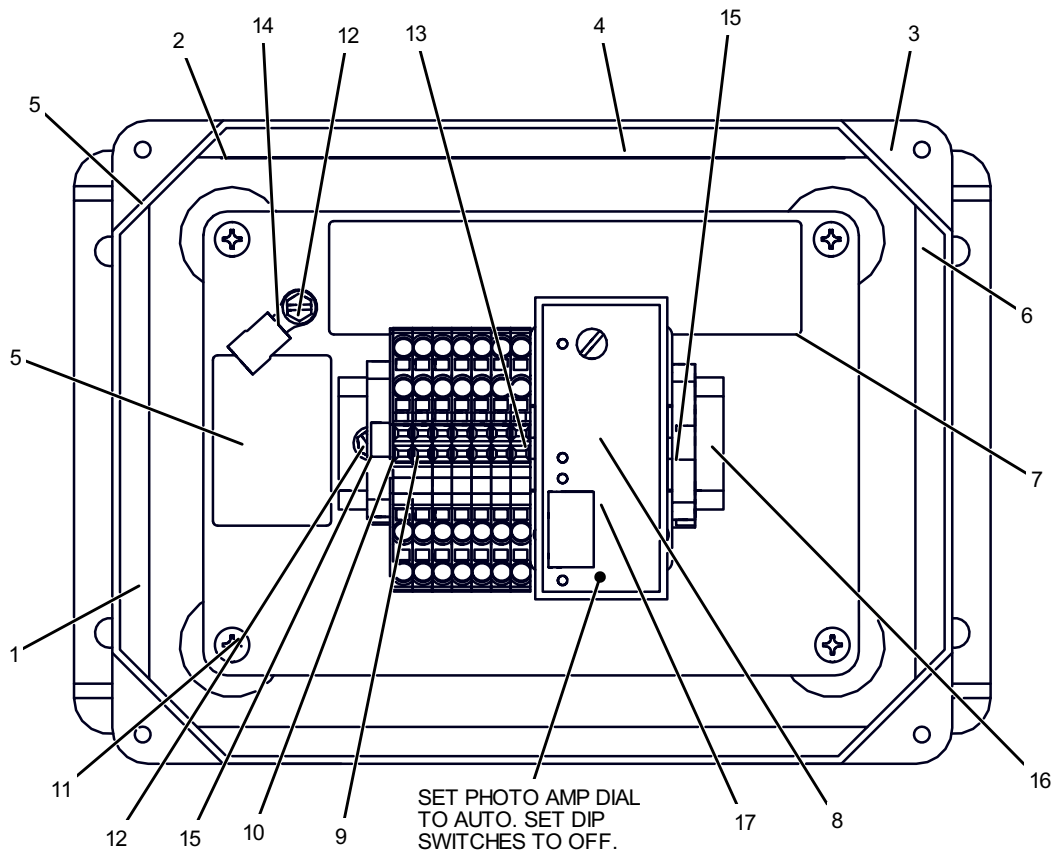
BOM ID	PartNo	Qty	Description
1	02240113B	1	LABEL,MULTIPLE-WARNING,PHOTOEYE-AMP,LW20
2	04090029	1	ENCLOSURE,8x6x6,FBRGL,NEMA4X
3	02220030	1	LABEL-RATING,PHOTOEYE,AC,1X,LW20
4	02240110	3	LABEL,INFO,THIS-SIDE-UP
5	02240112	1	LABEL,INFO,CE-WITH-AUTH-REP
6	02240113A	1	LABEL,FIELD-WIRING,PHOTOEYE-AMP,LW20
7	04060003	1	RELAY-SOCKET,11-PIN CIRC,300VAC,10A
8	05040278	4	SCREW,#10-32x5/16",PRHMS,SST
9	05040408	3	SCREW,#8-32X.5,HWHTC,ZINC-PLT,ST
10	06241138	1	PANEL,ELEC,BACK,AC-PHOTOEYE,LW2020
11	36650	2	END-STOP,6mm,PLST,GRAY,249-116
12	36950-4.00	1	DIN-RAIL,35mmx4.00",AL
13	93194	1	PHOTO-EYE,AMP,24VAC,10A,SPDT,11PIN
14	04100105	6	TERMINAL-BLOCK,4P,20A,600V,AWG-22-12
15	04100105	1	TERMINAL-BLOCK,4P,20A,600V,AWG-22-12
16	02240012	1	LABEL,ETL,UL508A,CSA22.2NO286-17
17	04100106	1	TERMINAL,END-PLATE,2002-14xx,ORG

DELUXE DOOR CONTROLS PHOTO EYE SET 09230055



BOM ID	PartNo	Qty	Description
1	93176	4	PHOTO-EYE, THRU-BEAM, SET, 14MM, CARLO
2	05040062	8	ScrewPFHMS
3	36415	4	STRAIN RELIEF 1/2 .31-.56"CORD, PLASTIC
4	39609	4	JUNCTION-BOX, 2x4, OUTDOOR
5	39613	4	COVER PLATE WEATHERPROOF BLANK
6	94013	1	PROBE, TEMPERATURE, OUTSIDE, 60FT

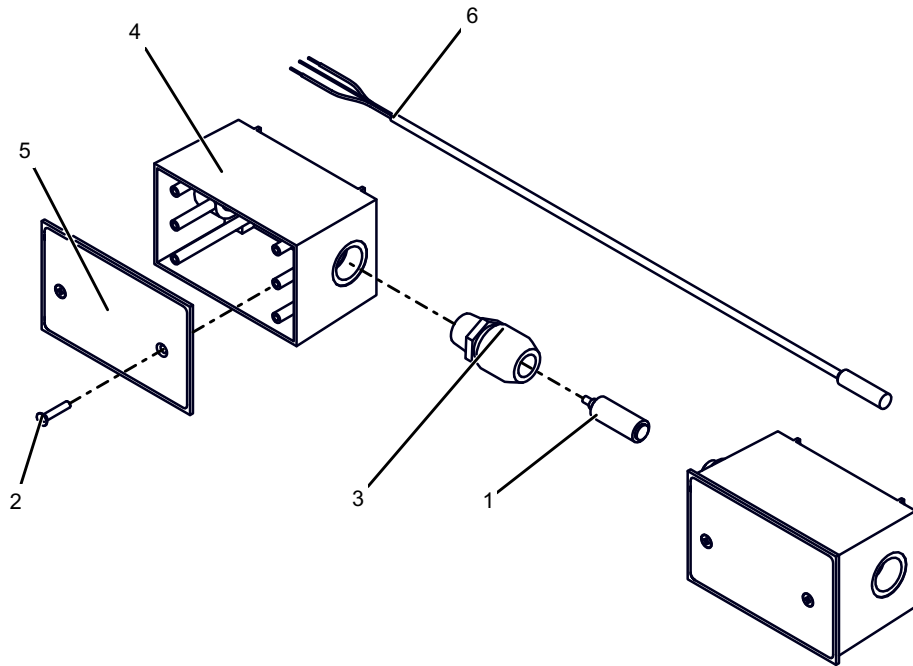
BASIC DOOR CONTROLS CONTROL BOX 09230054



COVER REMOVED

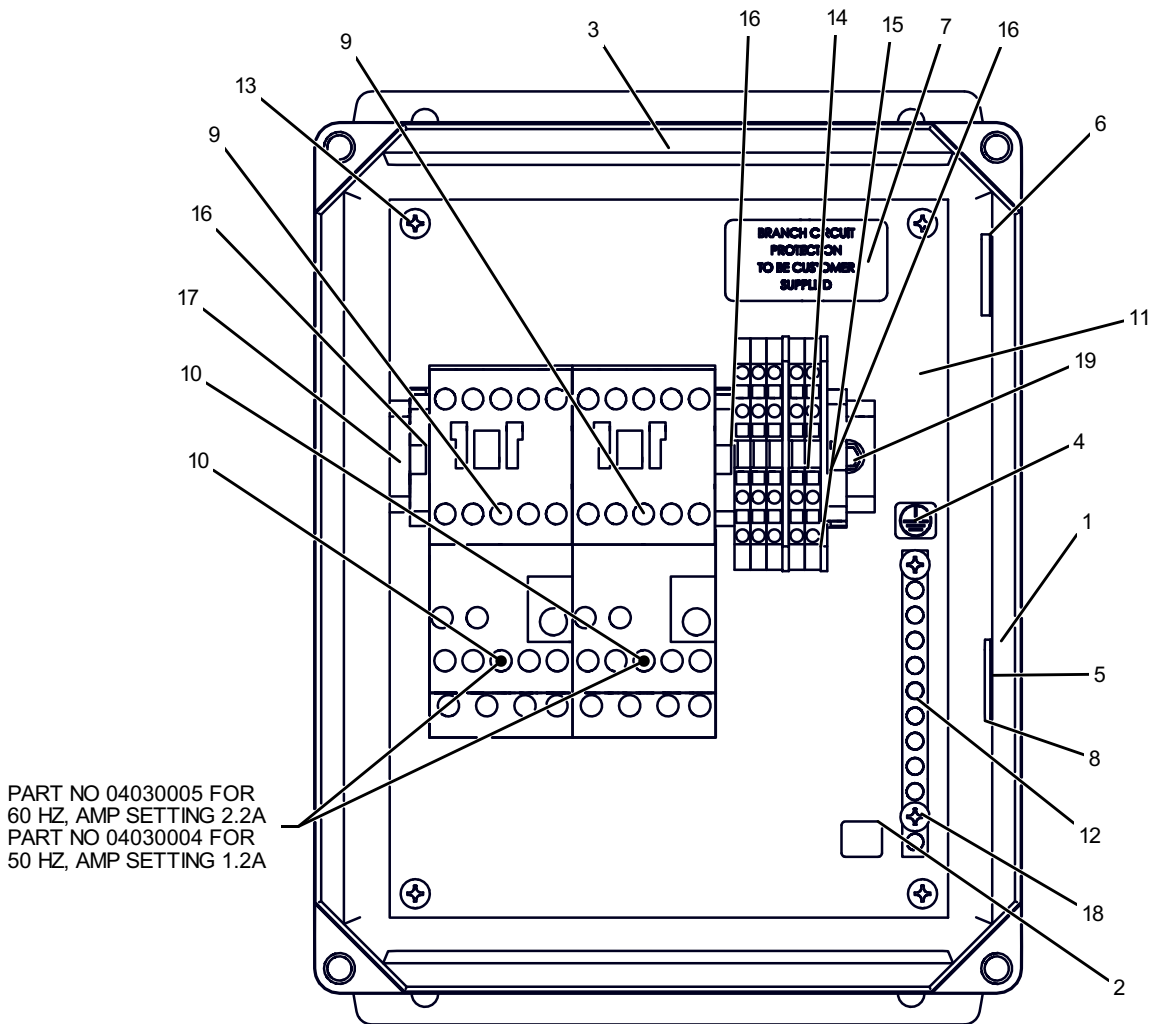
BOM ID	PartNo	Qty	Description
1	04090029	1	ENCLOSURE, 8x6x6, FBRGL, NEMA4X
2	02240113B	1	LABEL, MULTIPLE-WARNING, PHOTOEYE-AMP, LW20
3	02220030	1	LABEL-RATING, PHOTOEYE, AC, 1X, LW20
4	02240012	1	LABEL, ETL, UL508A, CSA22.2NO286-17
5	02240110	3	LABEL, INFO, THIS-SIDE-UP
6	02240112	1	LABEL, INFO, CE-WITH-AUTH-REP
7	02240113A	1	LABEL, FIELD-WIRING, PHOTOEYE-AMP, LW20
8	04060003	1	RELAY-SOCKET, 11-PIN CIRC, 300VAC, 10A
9	04100105	7	TERMINAL-BLOCK, 4P, 20A, 600V, AWG-22-12
10	04100106	1	TERMINAL, END-PLATE, 2002-14xx, ORG
11	05040278	4	SCREW, #10-32x5/16", PRHMS, SST
12	05040408	3	SCREW, #8-32X5, HWHTCS, ZINC-PLT, ST
13	06241138	1	PANEL, ELEC, BACK, AC-PHOTOEYE, LW2020
14	34516-NI	1	TERMINAL-RING, #10, 12-10AWG, INSUL
15	36650	2	END-STOP, 6mm, PLST, GRAY, 249-116
16	36950-4.00	1	DIN-RAIL, 35mmx4.00", AL
17	93194	1	PHOTO-EYE, AMP, 24VAC, 10A, SPDT, 11PIN

BASIC DOOR CONTROLS PHOTO EYE SET 09230054



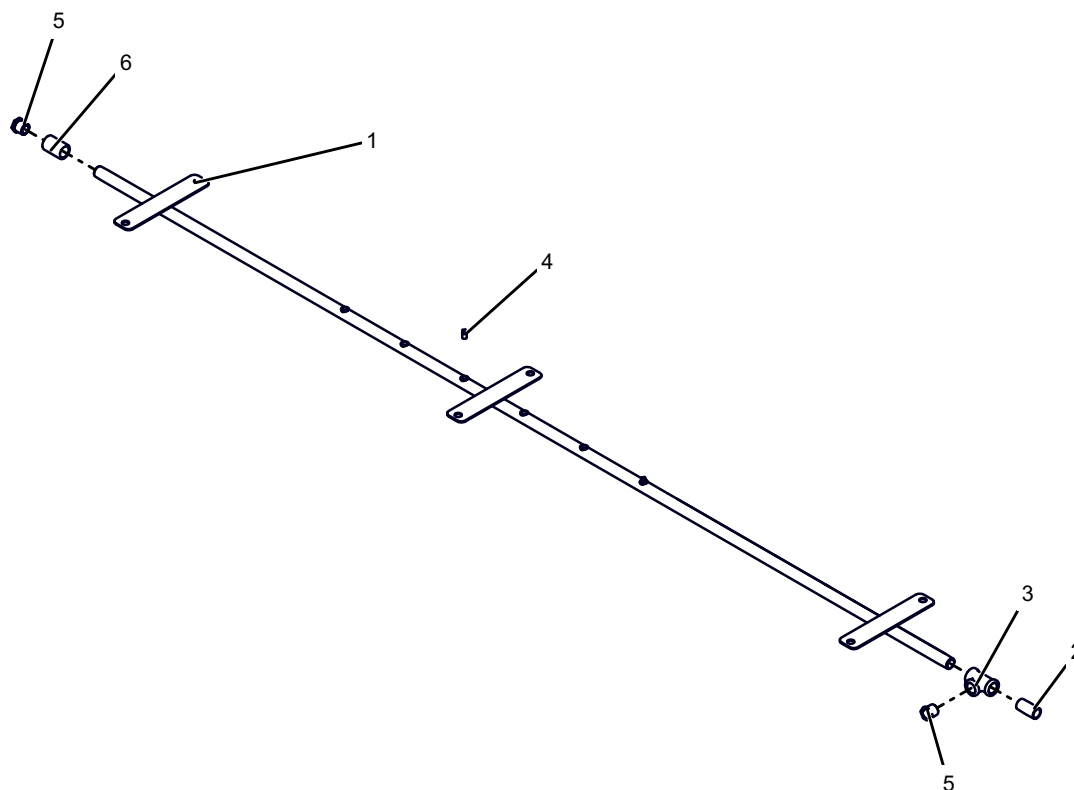
BOM ID	PartNo	Qty	Description
1	93176	2	PHOTO-EYE, THRU-BEAM, SET, 14MM, CARLO
2	05040062	4	ScrewPFHMS-10
3	36415	2	STRAIN RELIEF 1/2 .31-.56"CORD, PLASTIC
4	39609	2	JUNCTION-BOX, 2x4, OUTDOOR
5	39613	2	COVER PLATE WEATHERPROOF BLANK
6	94013	1	PROBE, TEMPERATURE, OUTSIDE, 60FT

ELECTRIC GATLING GUN CONTROL BOX 11010162



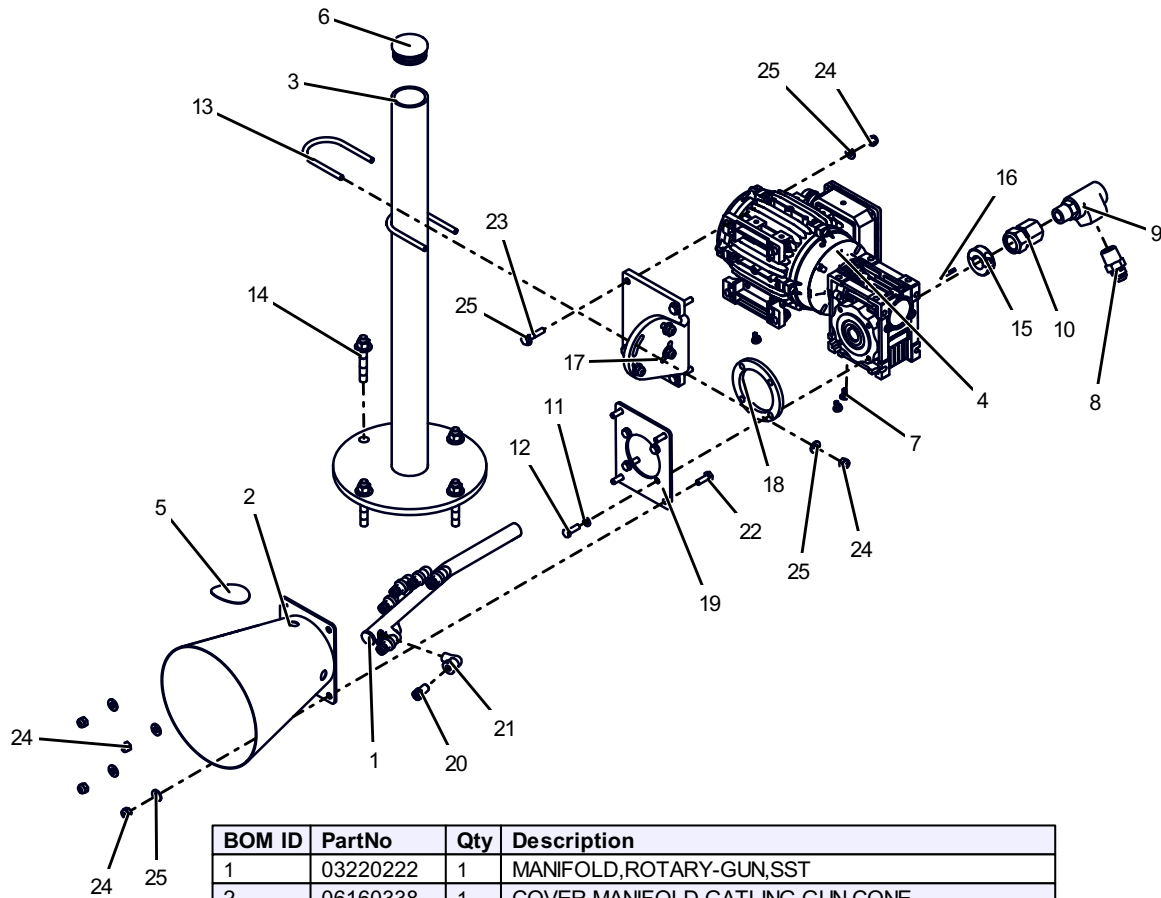
BOM ID	PartNo	Qty	Description
1	04090109	1	ENCLOSURE, 10x8", FIBERGLASS
2	02020004	1	LABEL, PRINTED, PE
3	02020074	1	LABEL, PRINTED, 2x1", RED, DO-NOT-DRILL
4	02020296	1	LABEL, IDENT, GROUND-SYMBOL
5	02230097	1	LABEL-ID, 11010162, 1/2HP, CONTROL-BOX
6	02240023	1	LABEL, INFO, AMP-RATING, TERMINAL-36507
7	02240053	1	LABEL, INFO, BRANCH-CIRCUIT-PROTECTION
8	02240057	1	LABEL, INFO, GROUND-BAR, TORQUE, RATING
9	04020001	2	CONTACTOR, 9A, 1(NO), 24VAC
10	04030005	2	OVERLOAD-RELAY, 2.2-3.2A
11	04090028	1	ENCLOSURE, PANEL, 8.88x6.88x.08", AL
12	04100046	1	TERMINAL-BLOCK, GND-BAR, 9P, 8-14AWG, 225A
13	05040278	4	SCREW, #10-32x5/16", PRHMS, SST
14	36507	5	TERMINAL-BLK, 26-14GA, 4P, GRAY
15	36607	2	END PLATE, FRONT, 4P, 280-317, ORANGE
16	36650	3	END-STOP, 6mm, PLST, GRAY, 249-116
17	36950-6.00	1	DIN-RAIL, 35mmx6.00", AL
18	70062-SCS	2	SCREW, #10-32x.75, PRHMS, SST
19	73644-TXCZ	2	SCREW, #10x.50, HWHTCS, ZP

ELECTRIC GATTLING GUN LOOSE PARTS 11400010



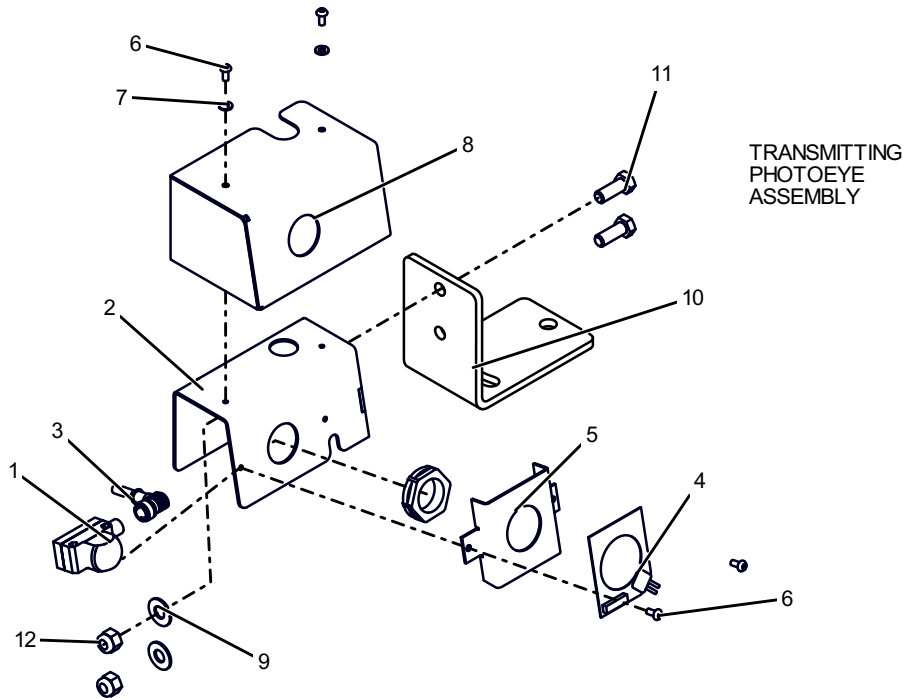
BOM ID	PartNo	Qty	Description
1	M360037	1	MANIFOLD,UNDERBODY,SST
2	67014-B4S	1	NIPPLE,3/4NPTx2.00,SC40,SST
3	67120-4S	1	TEE,3/4NPT,PIPE,SST
4	67600-S	2	PLUG,1/8NPT,SQ-HD,SST
5	67709-S	2	BUSHING,3/4NPTx1/2NPT,SST
6	67798-4S	1	COUPLING,3/4NPT,SST

ELECTRIC GATTLING GUN 11400009



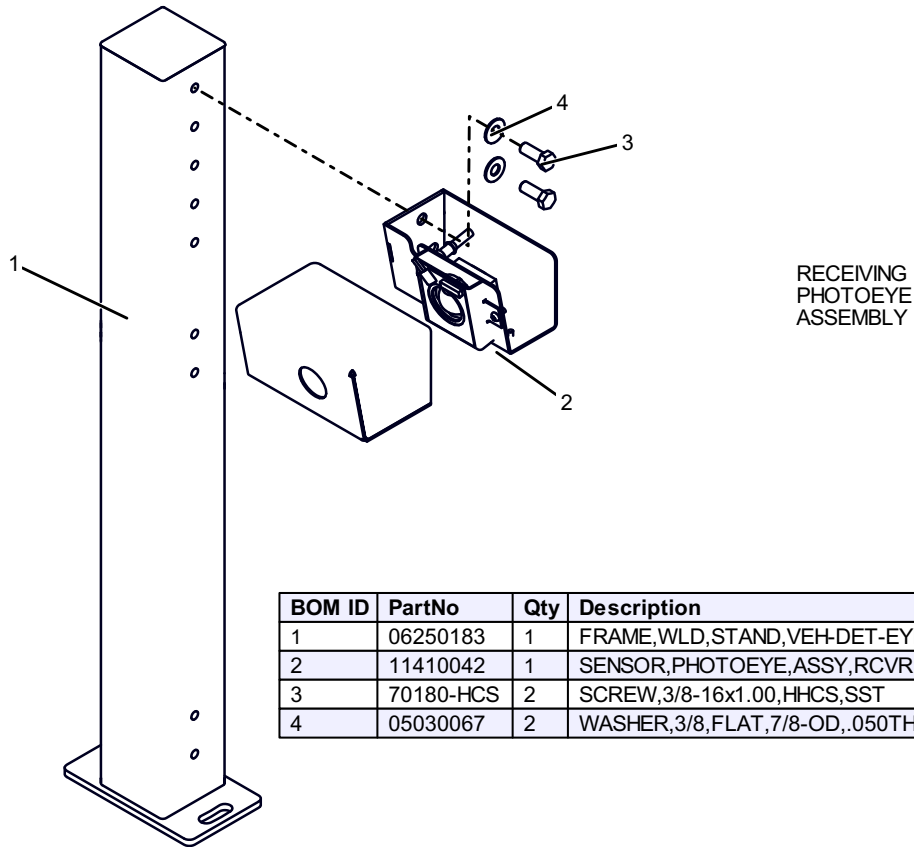
BOM ID	PartNo	Qty	Description
1	03220222	1	MANIFOLD,ROTARY-GUN,SST
2	06160338	1	COVER,MANIFOLD,GATLING GUN,CONE
3	06250078	1	FRAME,LEG,ROTARY-GUN,ALUMINUM
4	06280041	1	GEARBOX-MOTOR,1650RPM,1/2HP,GUNS,50/60HZ
5	02030342	1	DECAL,WARNING,HAZARDOUS-MOVING-PARTS
6	03080033	1	PLUG,1.875" TUBE,PUSH-IN,BLK PLSTC
7	03080035	3	PLUG,DRAIN,MOTOR,PP-PLASTIC
8	03140038	1	ADAPTER,1/2NPTX37° JIC,SST
9	03240012	1	SWIVEL,90°,1/2FNPT,GATLING,INBAY
10	03320046	1	TUBE-FTG,CONN,3/4TX1/2FNPT,COMP,SST
11	05030016	4	WASHER,M6,FLAT,SST
12	05040003	4	SCREW,M6x20mm,HHCS,SST
13	05040238	2	BOLT,1/4-20x2.00x3.25,U-BOLT,SST
14	05090004	4	ANCHOR,CONCRETE,STUD,3/8-16x2-3/4",SST
15	05120023	1	COLLAR,.75",DOUBLE-SPLIT,SST
16	05120040	1	SPRING-PIN,.125"x1.00,SST
17	06140903	1	BRACKET,MTR-MNT,1650RPM,1/2HP,ROTARY-GUN
18	06180074	1	SPACER,CONE-MOUNT,GATLING-GUN
19	06240584	1	PLATE,MOUNT,CONE,GAT-GUN,MRV
20	64011-8M	8	NOZZLE,FAN,0004,1/8"NPT,SST
21	67485-4S	8	ELBOW STREET 90 DE 1/8 304 SS
22	70108-HCS	4	SCREW,1/4-20x.75,HHCS,SST
23	70111-HCS	4	SCREW,1/4-20x1.25,HHCS,SST
24	71011-NCS	12	NUT,1/4-20,HEX,LOCK,SST
25	71511-FS	16	WASHER,1/4,FLAT,SST

STAND MOUNT PHOTOEYE TRANSMITTER W HEAT 11410040



BOM ID	PartNo	Qty	Description
1	04070003	1	PHOTO-EYE, THRU-BEAM, XMTR, 30mm, BANNER-QS
2	06050152	1	HOUSING, MNT, SNSR, LONG-VEH-LOAD
3	04080040	1	CORDSET, 12mm, 5/22AWG, 90°, 60', PVC
4	04190036	1	HEATER, STRIP, 20W, 24VAC, W/THERMO, HOLE
5	06141767	1	BRKT, HEATER, VEH-DET-PHOTOTEYE, SST, LW20
6	70033-SCS	4	SCREW, #8-32x.38, PRHMS, SST
7	71508-FS	2	WASHER, #8, FLAT, SST
8	06160600	1	COVER, SNSR, VEH-DET-PHOTOEYE, SST, LW20
9	05030067	2	WASHER, 3/8, FLAT, 7/8-OD, .050THK, SST
10	06141766	1	BRKT, STAND-MNT, VEH-DET-PHOTOEYE, SST, LW20
11	70180-HCS	2	SCREW, 3/8-16x1.00, HHCS, SST
12	71013-NCS	2	NUT, 3/8-16, HEX, LOCK, SST

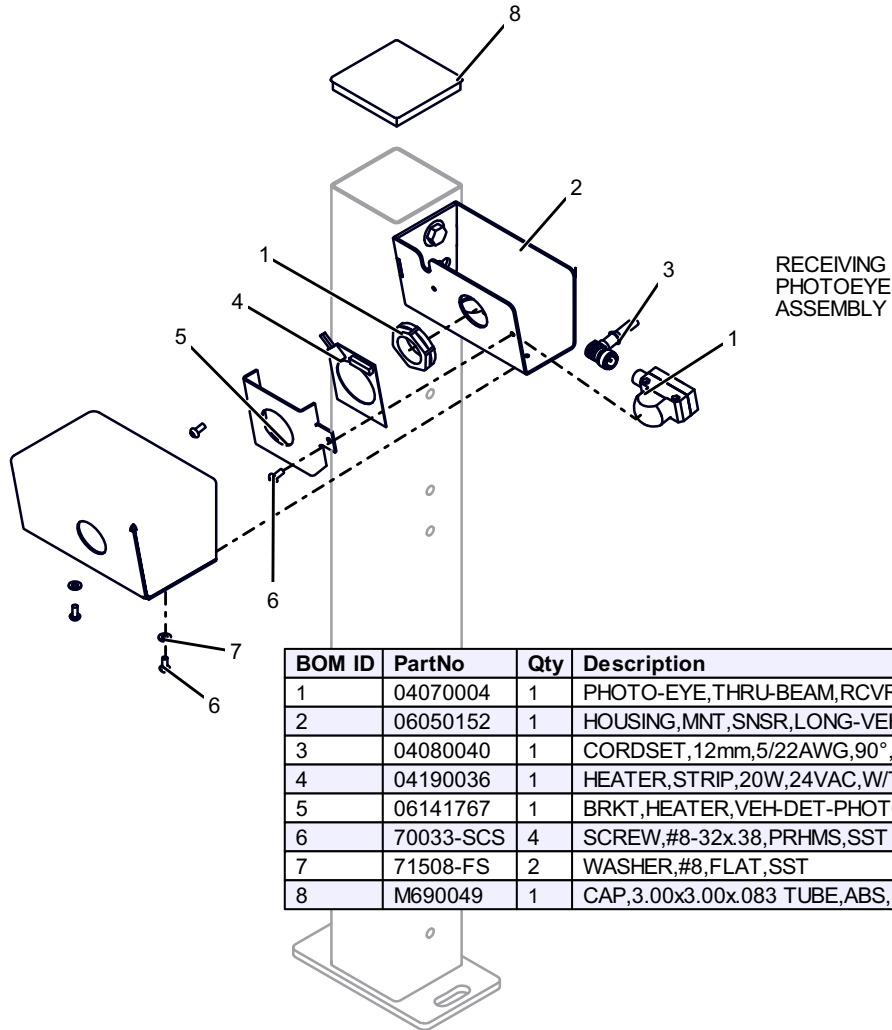
WALL MOUNT PHOTOEYE RECEIVER WITH HEAT MOUNTING STAND 11410030



BOM ID	PartNo	Qty	Description
1	06250183	1	FRAME,WLD,STAND,VEH-DET-EYE,SST,LW20
2	11410042	1	SENSOR,PHOTOEYE,ASSY,RCVR,STAND-MTD,W/HE
3	70180-HCS	2	SCREW,3/8-16x1.00,HHCS,SST
4	05030067	2	WASHER,3/8,FLAT,7/8-OD,.050THK,SST

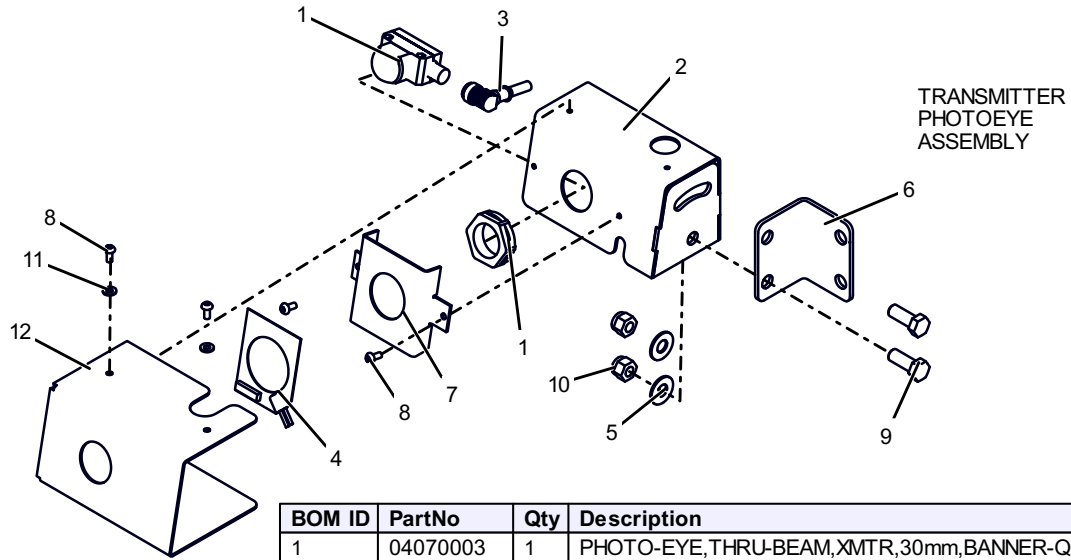
STAND MOUNT PHOTOEYE RECEIVER W HEAT

11410032



BOM ID	PartNo	Qty	Description
1	04070004	1	PHOTO-EYE, THRU-BEAM, RCVR, 30mm, BANNER-QS
2	06050152	1	HOUSING, MNT, SNSR, LONG-VEH-LOAD
3	04080040	1	CORDSET, 12mm, 5/22AWG, 90°, 60', PVC
4	04190036	1	HEATER, STRIP, 20W, 24VAC, W/THERMO, HOLE
5	06141767	1	BRKT, HEATER, VEH-DET-PHOTOTEYE, SST, LW20
6	70033-SCS	4	SCREW, #8-32x.38, PRHMS, SST
7	71508-FS	2	WASHER, #8, FLAT, SST
8	M690049	1	CAP, 3.00x3.00x.083 TUBE, ABS, BLK

WALL MOUNT PHOTOEYE TRANSMITTER 11410038

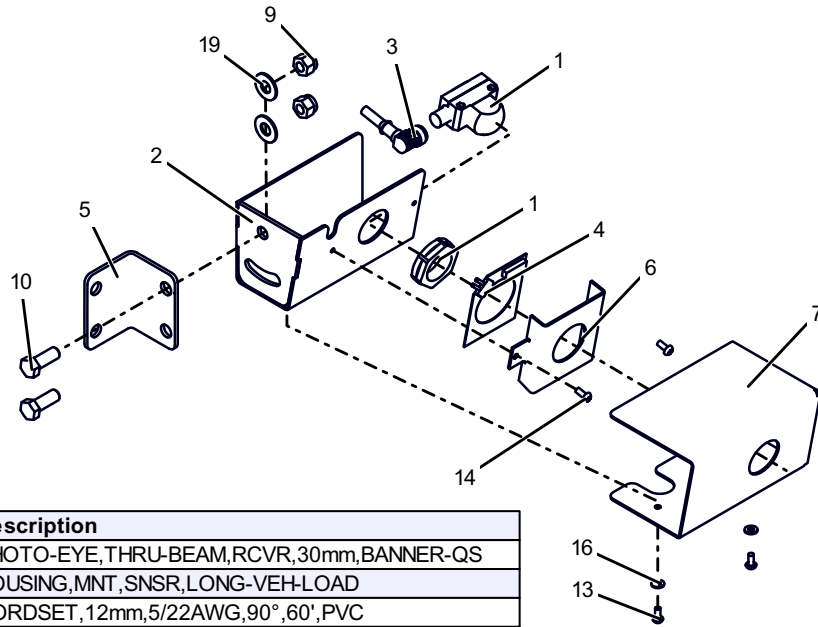


BOM ID	PartNo	Qty	Description
1	04070003	1	PHOTO-EYE, THRU-BEAM, XMTR, 30mm, BANNER-QS
2	06050152	1	HOUSING, MNT, SNSR, LONG-VEH-LOAD
3	04080040	1	CORDSET, 12mm, 5/22AWG, 90°, 60', PVC
4	04190036	1	HEATER, STRIP, 20W, 24VAC, W/THERMO, HOLE
5	05030067	2	WASHER, 3/8, FLAT, 7/8-OD, .050THK, SST
6	06141765	1	BRKT, WALL-MNT, VEH-DET-PHOTOEYE, SST, LW20
7	06141767	1	BRKT, HEATER, VEH-DET-PHOTOTEEYE, SST, LW20
8	70033-SCS	4	SCREW, #8-32x.38, PRHMS, SST
9	70180-HCS	2	SCREW, 3/8-16x1.00, HHCS, SST
10	71013-NCS	2	NUT, 3/8-16, HEX, LOCK, SST
11	71508-FS	2	WASHER, #8, FLAT, SST
12	06160600	1	COVER, SNSR, VEH-DET-PHOTOEYE, SST, LW20

WALL MOUNT PHOTOEYE RECEIVER WITH HEAT

11410030

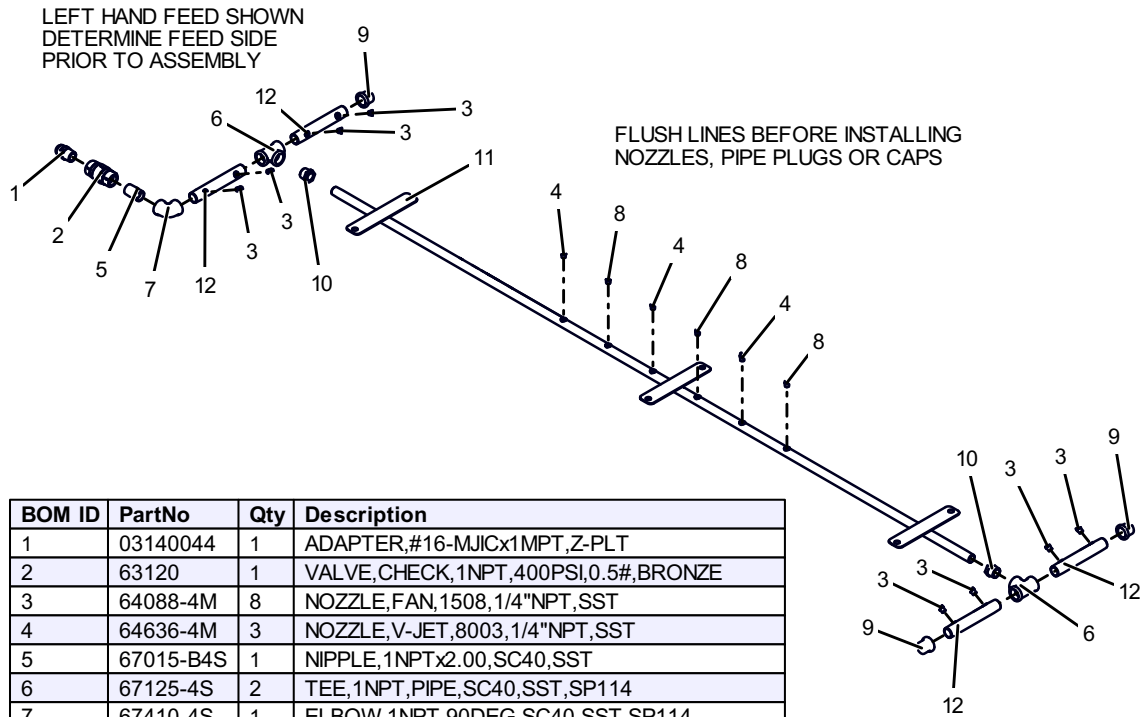
RECEIVING
PHOTOEYE
ASSEMBLY



BOM ID	PartNo	Qty	Description
1	04070004	1	PHOTO-EYE, THRU-BEAM, RCVR, 30mm, BANNER-QS
2	06050152	1	HOUSING, MNT, SNSR, LONG-VEH-LOAD
3	04080040	1	CORDSET, 12mm, 5/22AWG, 90°, 60', PVC
4	04190036	1	HEATER, STRIP, 20W, 24VAC, W/THERMO, HOLE
5	06141765	1	BRKT, WALL-MNT, VEH-DET-PHOTOEYE, SST, LW20
6	06141767	1	BRKT, HEATER, VEH-DET-PHOTOEYE, SST, LW20
7	06160600	1	COVER, SNSR, VEH-DET-PHOTOEYE, SST, LW20
9	71013-NCS	1	NUT, 3/8-16, HEX, LOCK, SST
10	70180-HCS	1	SCREW, 3/8-16x1.00, HHCS, SST
13	70033-SCS	1	SCREW, #8-32x.38, PRHMS, SST
14	70033-SCS	1	SCREW, #8-32x.38, PRHMS, SST
16	71508-FS	1	WASHER, #8, FLAT, SST
19	05030067	1	WASHER, 3/8, FLAT, 7/8-OD, .050THK, SST

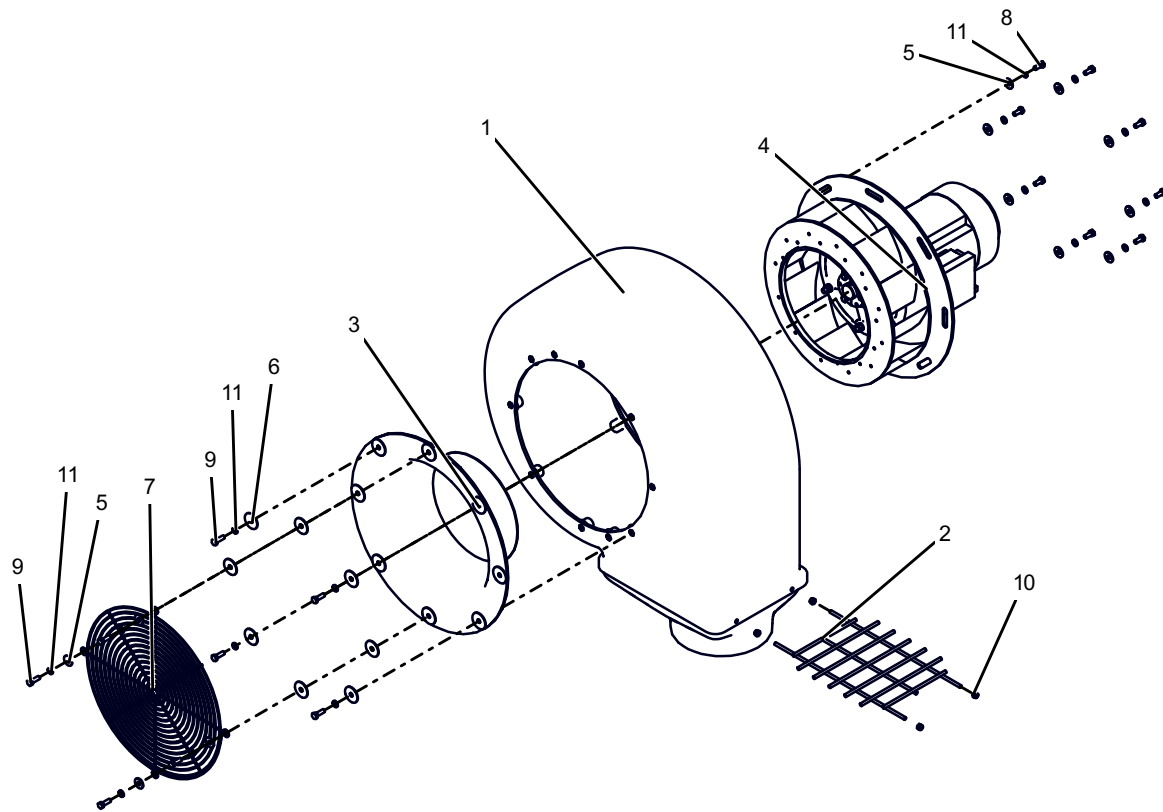
UNDERBODY DRIVE THRU WITH SIDEBLASTERS

09120018



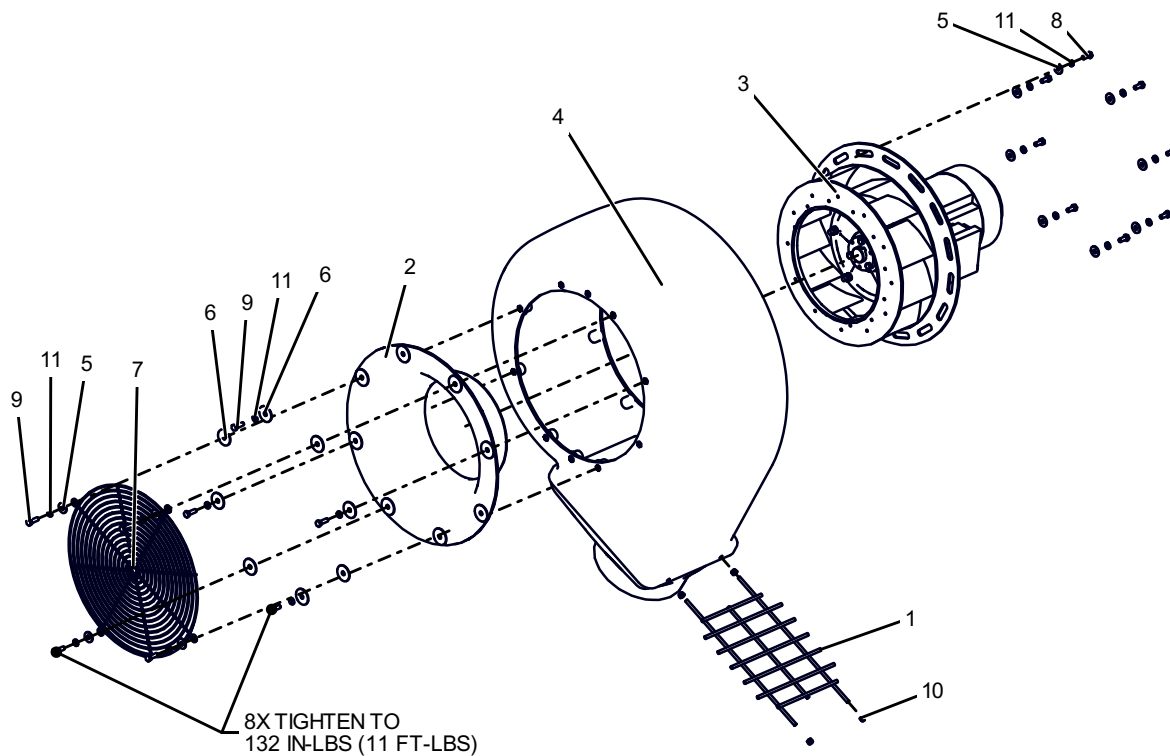
BOM ID	PartNo	Qty	Description
1	03140044	1	ADAPTER,#16-MJICx1MPT,Z-PLT
2	63120	1	VALVE,CHECK,1NPT,400PSI,0.5#,BRONZE
3	64088-4M	8	NOZZLE,FAN,1508,1/4"NPT,SST
4	64636-4M	3	NOZZLE,V-JET,8003,1/4"NPT,SST
5	67015-B4S	1	NIPPLE,1NPTx2.00,SC40,SST
6	67125-4S	2	TEE,1NPT,PIPE,SC40,SST,SP114
7	67410-4S	1	ELBOW,1NPT,90DEG,SC40,SST,SP114
8	67601-S	3	PLUG,1/4NPT,SQ-HD,SST
9	67680-4S	3	CAP,1NPT,SC40,SST
10	67714-S	2	BUSHING,1NPTx3/4NPT,SST
11	M360037	1	MANIFOLD,UNDERBODY,SST
12	M550022	4	MANIFOLD,UNDERBODY,SIDE-BLASTER,SST

INTERGRATED DRYER INNER PRODUCER ASSEMBLY 11100355



BOM ID	PartNo	Qty	Description
1	06050062	1	HOUSING,BLOWER,INTD,DARK-BLUE
2	06160195	1	GUARD,DISCHARGE-SCREEN,DRYER,SST
3	11100327	1	DRYER,INLET-CONE,W/GASKET
4	11100344	1	DRYER,MTR-IMP,208/230V,60HZ,CCW,OCS,LW20
5	05030018	12	WASHER,M8,FENDER,SST
6	05030075	8	WASHER,5/16,FENDER,1.50OD,.062THK,SST
7	06160237	1	GUARD,INLET-SCREEN,DRYER,WIRE,SST
8	70143-HCS	8	SCREW,5/16-18x.75,HHCS,SST
9	70145-HCS	8	SCREW,5/16-18x1.00,HHCS,SST
10	71011-NCS	4	NUT,1/4-20,HEX,LOCK,SST
11	71512-LS	16	WASHER,5/16,LOCK,SST

INTERGRATED DRYER OUTER PRODUCER ASSEMBLY 11100366

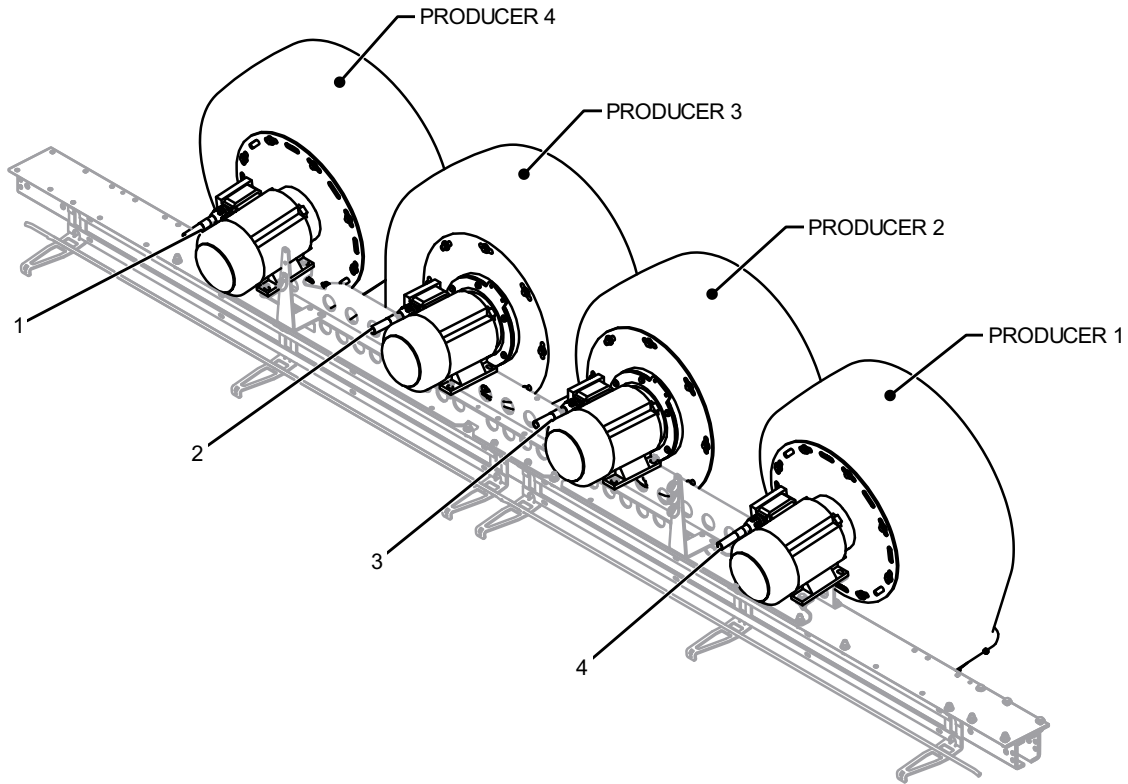


COUNTER CLOCKWISE (CCW)
ASSEMBLY SHOWN

BOM ID	PartNo	Qty	Description
1	06160195	1	GUARD,DISCHARGE-SCREEN,DRYER,SST
2	11100327	1	DRYER,INLET-CONE,W/GASKET
3	11100332	1	DRYER,MTR-IMP,208/230V,60HZ,CW,ANGL,HRZ,
4	SEE TABLE	1	HOUSING
5	05030018	12	WASHER,M8,FENDER,SST
6	05030075	8	WASHER,5/16,FENDER,1.50OD,.062THK,SST
7	06160237	1	GUARD,INLET-SCREEN,DRYER,WIRE,SST
8	70143-HCS	8	SCREW,5/16-18x.75,HHCS,SST
9	70145-HCS	8	SCREW,5/16-18x1.00,HHCS,SST
10	71011-NCS	4	NUT,1/4-20,HEX,LOCK,SST
11	71512-LS	16	WASHER,5/16,LOCK,SST

INTERGRATED DRYER NON SWINGAIR PRODUCERS

09040216

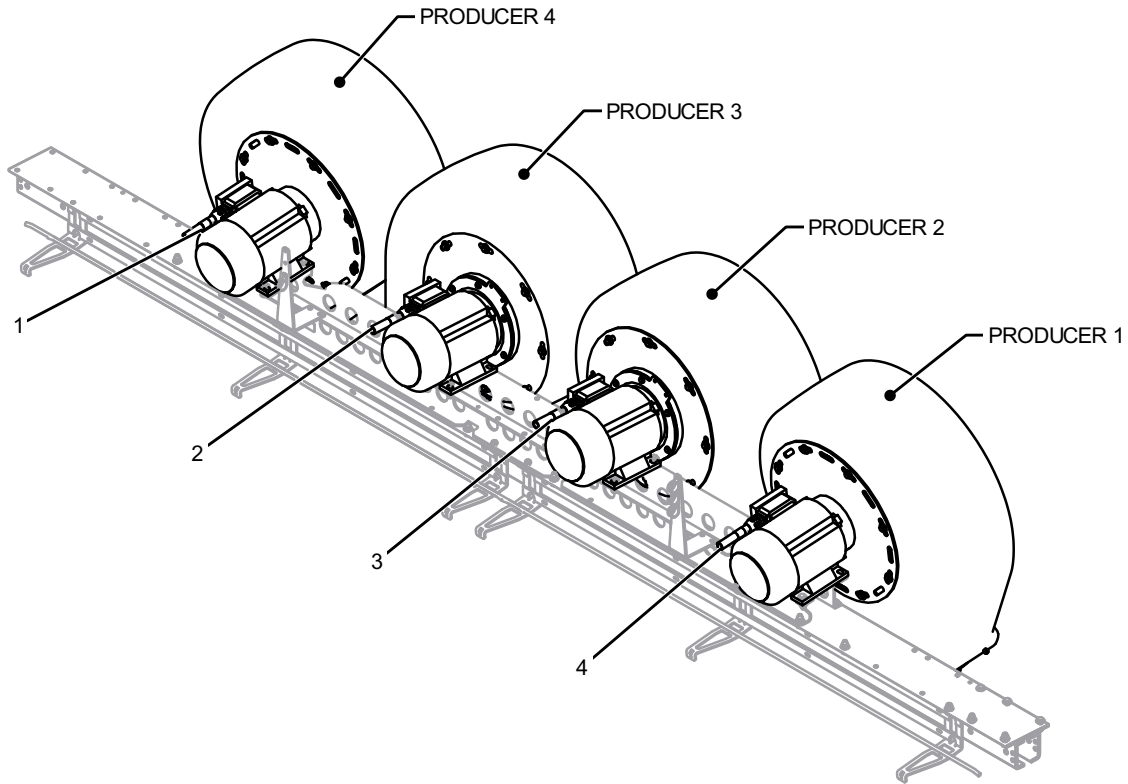


BOM ID	PartNo	Qty	Description
1	04080747	1	HARNESS,DRYER,INTD,LH-OUTER,LW20/TS
2	04080748	1	HARNESS,DRYER,INTD,LH-INNER,LW20/TS
3	04080749	1	HARNESS,DRYER,INTD,RH-INNER,LW20/TS
4	04080750	1	HARNESS,DRYER,INTD,RH-OUTER,LW20/TS



INTERGRATED DRYER SWINGAIR PRODUCERS

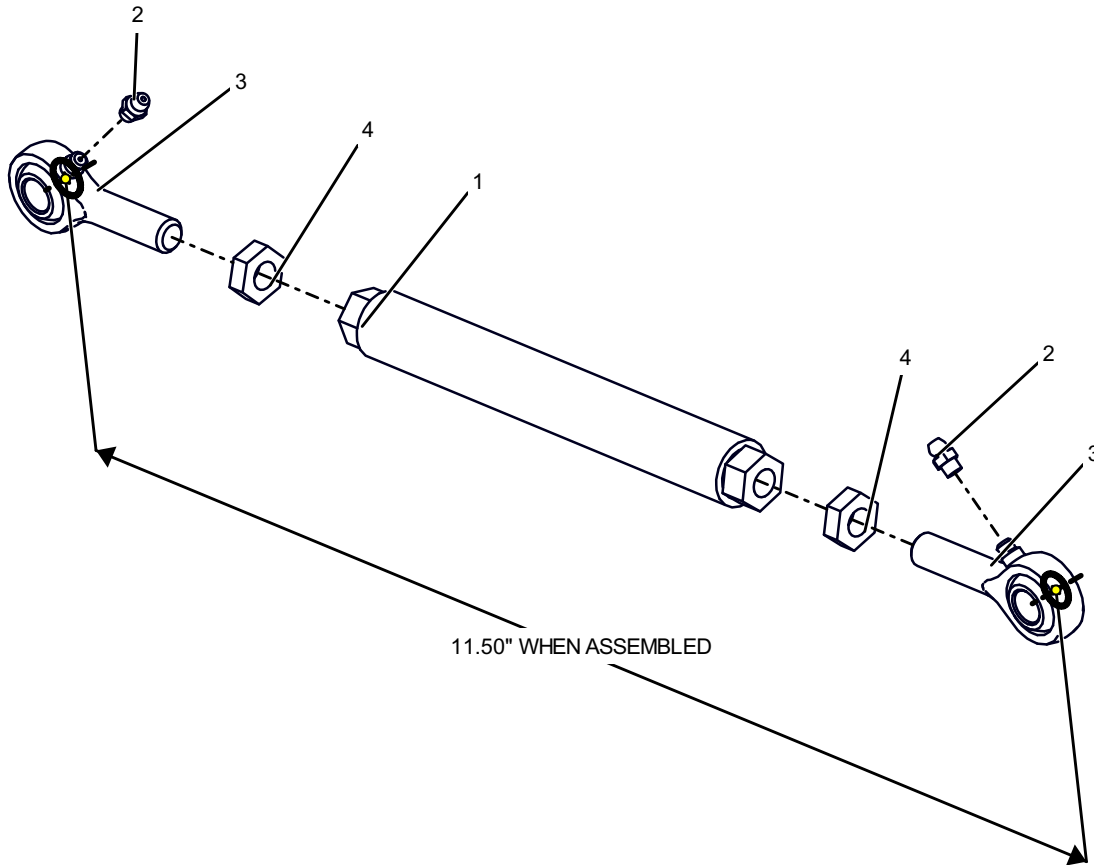
09040216



BOM ID	PartNo	Qty	Description
1	04080747	1	HARNESS, DRYER, INTD, LH-OUTER, LW20/TS
2	04080748	1	HARNESS, DRYER, INTD, LH-INNER, LW20/TS
3	04080749	1	HARNESS, DRYER, INTD, RH-INNER, LW20/TS
4	04080750	1	HARNESS, DRYER, INTD, RH-OUTER, LW20/TS



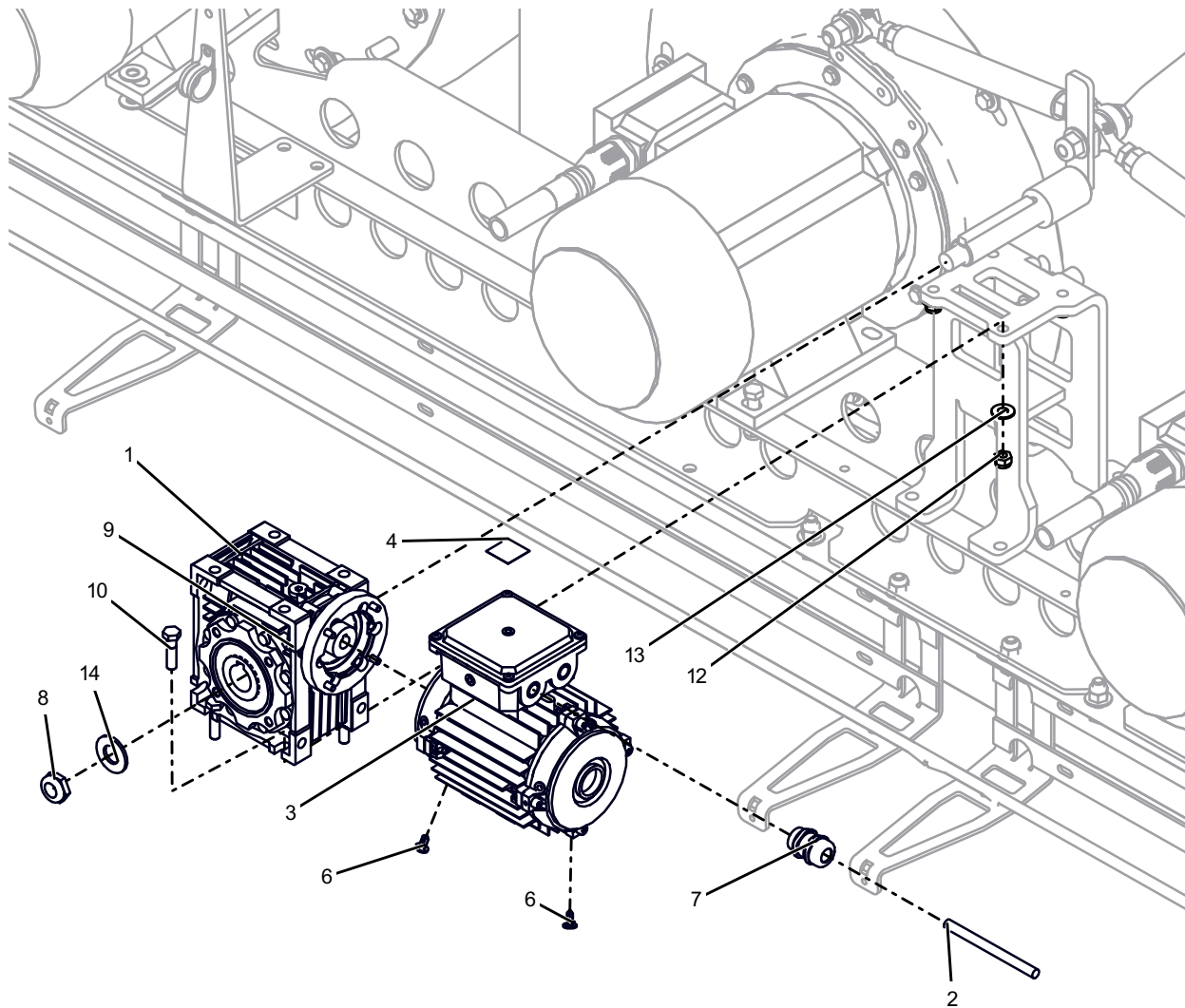
INTERGRATED DRYER LINKAGE 11170121



BOM ID	PartNo	Qty	Description
1	06190158	1	ARM, DRYER-OSCILLATION, 11.5, LW/TANDEM
2	03350017	2	GREASE-FITTING, STR, 1/4-28-TAPER-THD
3	05120046	2	ROD-END, .50, 1/2-20UNC, MALE, ZINC-PLTD, GRS
4	71015-JFS	2	NUT, 1/2-20, HEX, JAM, SST

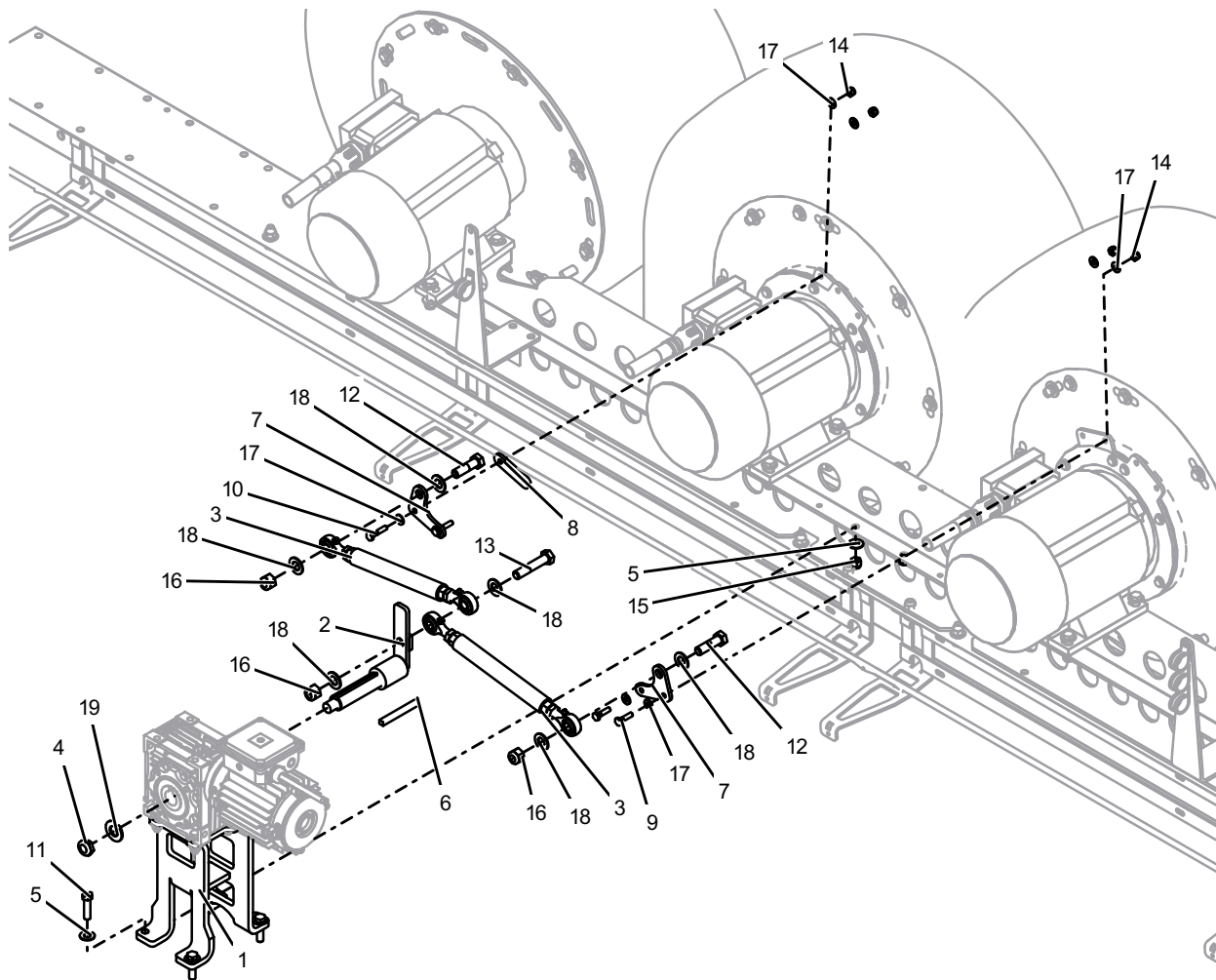
INTERGRATED DRYER SWING AIR GEARBOX

09040216



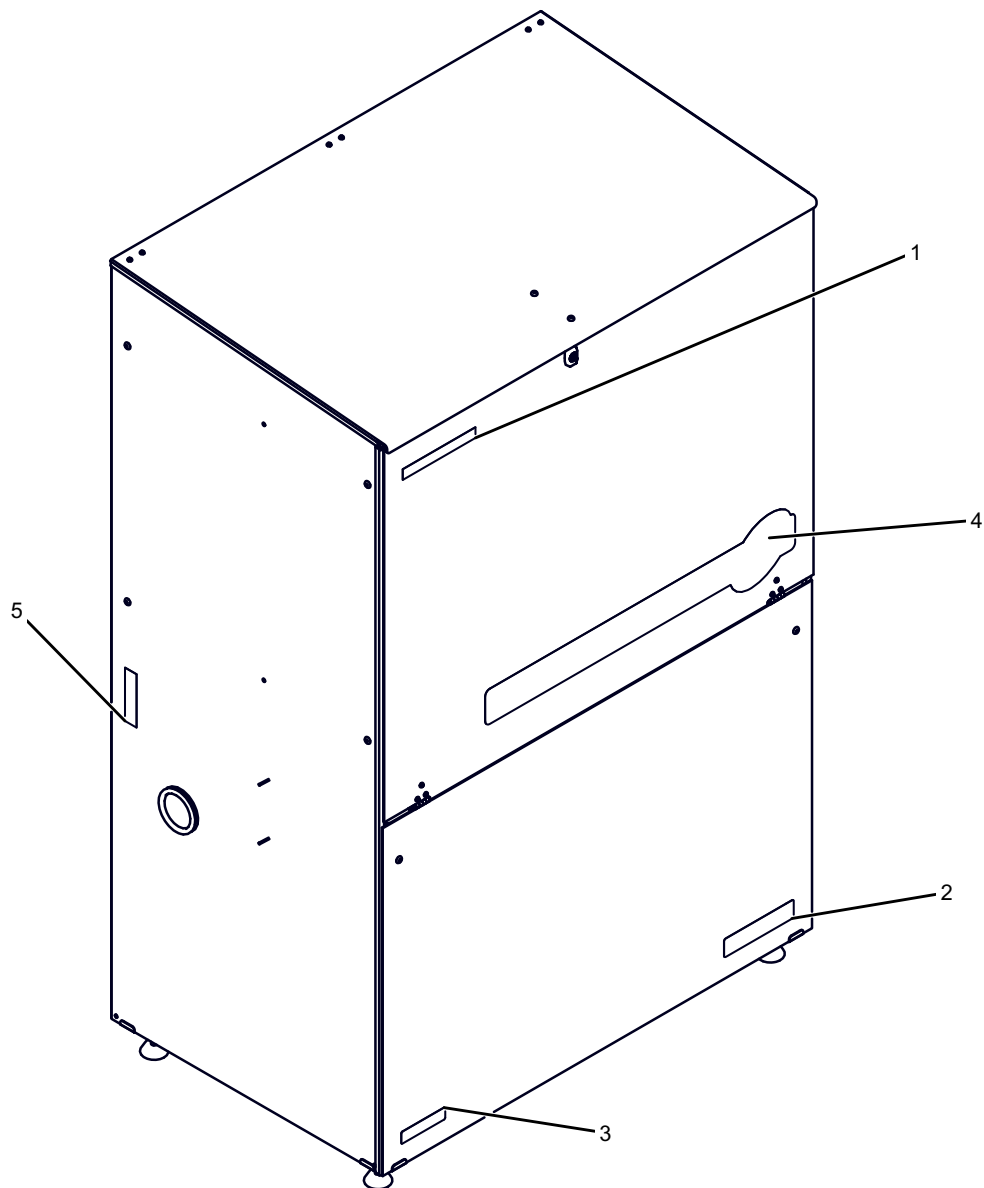
BOM ID	PartNo	Qty	Description
1	06280093	1	GEARBOX-MOTOR, DRYER-OSCIL, LW2020
2	04080761	1	HARNES, OCSILLATING, DRYER, MTR, LW2020
3	04120072	1	MOTOR, .25HP, 1800, IEC63, 208/230/460V, TENV
4	02240027	1	LABEL, 1x1, DANGER-HIGH-VOLTAGE
6	03080035	2	PLUG, DRAIN, MOTOR, PP-PLASTIC
7	04450023	1	STRAIN-RELIEF, M20, .276-.492", GND-CONN
8	05020077	1	NUT, 5/8-11, HEX, LOCK, JAM, SST
9	06280066	1	GEARBOX, RTANG, 50:1, IEC63, MRVC
10	70146-HCS	4	SCREW, 5/16-18x1.25, HHCS, SST
12	71012-NCS	4	NUT, 5/16-18, HEX, LOCK, SST
13	71512-FS	4	WASHER, 5/16, FLAT, SST
14	71517-FS	1	WASHER, 5/8, FLAT, SST

INTERGRATED DRYER SWING AIR LINKAGE ASSEMBLY 09040216



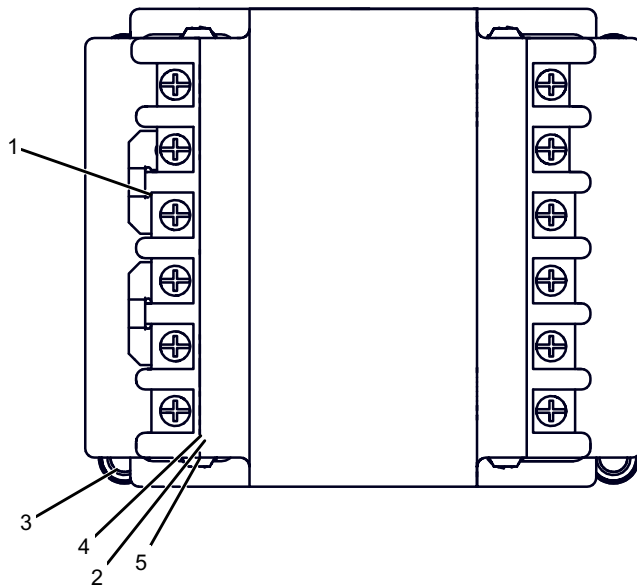
BOM ID	PartNo	Qty	Description
1	06141695	1	BRACKET,MOUNT,OSC-MOTOR,AL,DRYER,LW20
2	06150214	1	SHAFT,WLD,DRIVE,DRY-OSCILL,SST,TDMSL
3	11170121	2	LINKAGE,DRYER-OSCILLATION,11.5,LW/TANDEM
4	05020077	1	NUT,5/8-11,HEX,LOCK,JAM,SST
5	05030067	8	WASHER,3/8,FLAT,7/8-OD,.050THK,SST
6	05120029	1	KEY,8x7x80mm,18-8-SST,UNDERSIZED
7	06240578	2	PLATE,MOUNT,LINK-ARM,SWINGAIR,AL
8	06240583	1	PLATE,SPACER,LINK-ARM,SWINGAIR,AL
9	70110-HCS	2	SCREW,1/4-20x1.00,HHCS,SST
10	70111-HCS	2	SCREW,1/4-20x1.25,HHCS,SST
11	70182-HCS	4	SCREW,3/8-16x1.50,HHCS,SST
12	70258-HCS	2	SCREW,1/2-13x1.75,HHCS,SST
13	70261-HCS	1	SCREW,1/2-13x2.50,HHCS,SST
14	71011-NCS	4	NUT,1/4-20,HEX,LOCK,SST
15	71013-NCS	4	NUT,3/8-16,HEX,LOCK,SST
16	71015-NCS	3	NUT,1/2-13,HEX,LOCK,SST
17	71511-FS	8	WASHER,1/4,FLAT,SST
18	71515-FS	6	WASHER,1/2,FLAT,SST,MIL-SPEC
19	71517-FS	1	WASHER,5/8,FLAT,SST

PUMP STATION COVER DECALS 09070194



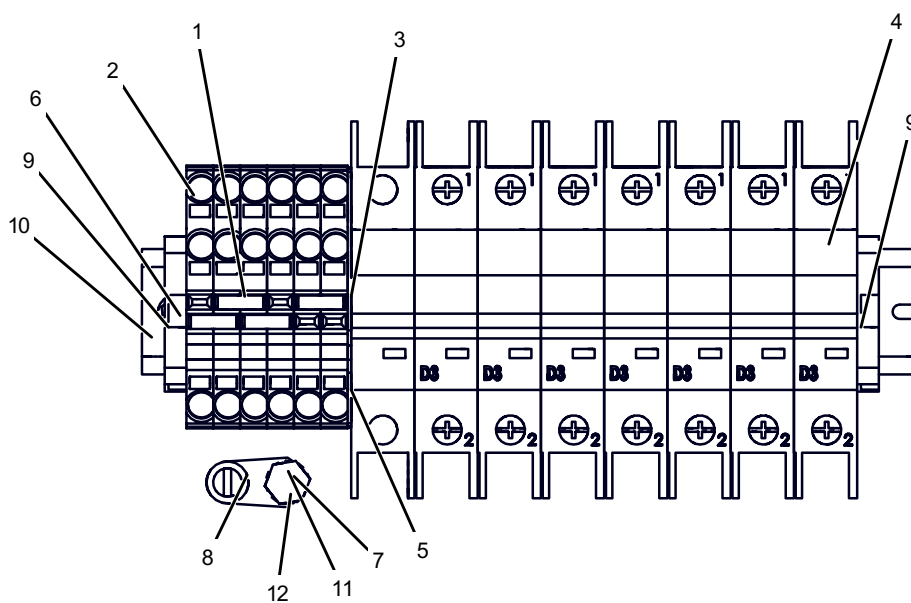
BOM ID	PartNo	Qty	Description
1	02030387	1	DECAL,COVER,WEB,SOL-PANEL,ICON
2	02030393	1	DECAL,PDQ-LOGO,7-1/2 x 1-3/4
3	02030429	1	DECAL,COVER,MADE-IN-USA
4	02030724	1	DECAL,COVER,INBAY-PUMP,LW360P
5	02230260	1	LABEL-ID,PUMP, VALVE-LABELS,LW360PLUS

PUMP STATION ELECTRICAL ENCLOSURE TRANSFORMER 11010415



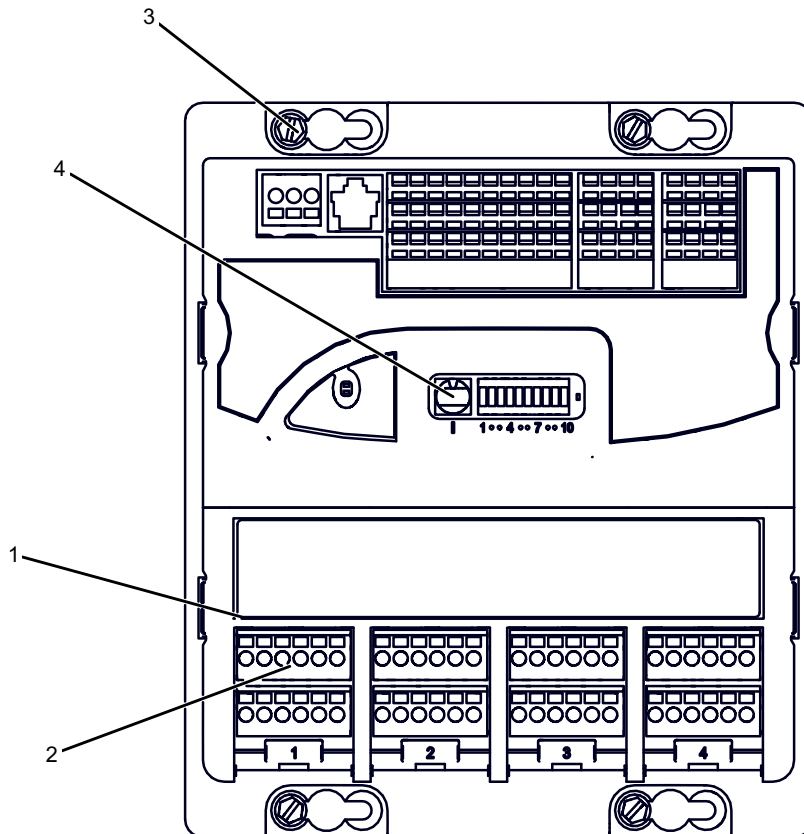
BOM ID	PartNo	Qty	Description
1	04170040	3	TRANSFORMER,
2	05180020	4	INSERT,NUT,1/4-20,SST,PEM,CLS-0420-2
3	05180051	4	INSERT,NUT,3/8-16,SST,CLINCHING
4	70106-HCS	4	SCREW,1/4-20x.50,HHCS,SST
5	71511-EZ	4	WASHER,1/4,STAR,ZP

PUMP STATION ELECTRICAL ENCLOSURE LOW VOLTAGE BREAKER 11010415



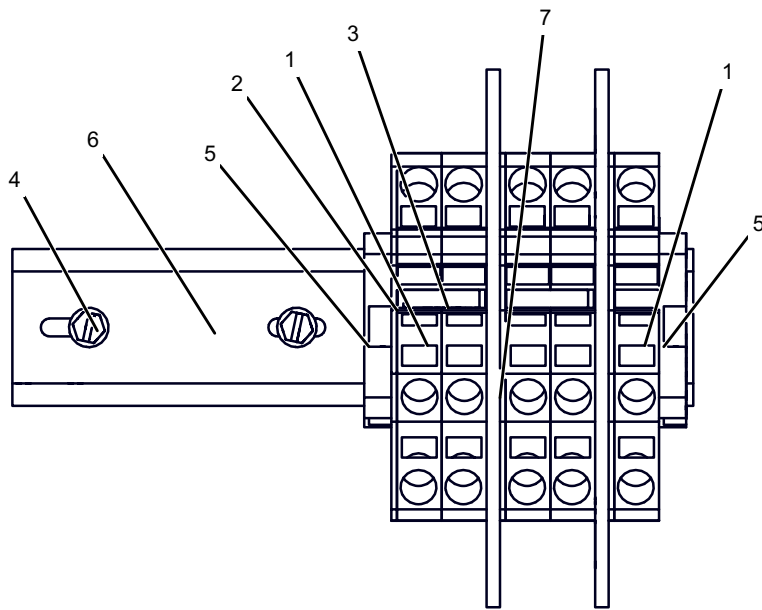
BOM ID	PartNo	Qty	Description
1	04100077	4	TERMINAL-JUMPER,ADJACENT,2006,SERIES
2	04100102	6	TERMINAL-BLOCK,3P,41A,600V,AWG-20-8
3	04100103	1	TERMINAL,END-PLATE,2006-13xx,ORG
4	04110135	7	CIRCUIT-BREAKER,3A,1P,D,240V,UL-489
5	04110137	1	CIRCUIT-BREAKER,25A,1P,D,240V,UL-489
6	05040408	4	SCREW,#8-32X.5,HWHTCS,ZINC-PLT,ST
7	05180020	1	INSERT,NUT,1/4-20,SST,PEM,CLS-0420-2
8	34900	1	LUG,GROUNDING,14-4GA,COPPER
9	36650	2	END-STOP,6mm,PLST,GRAY,249-116
10	36950-8.50	1	DIN-RAIL,35mmx8.50",AL
11	70106-HCS	1	SCREW,1/4-20x.50,HHCS,SST
12	71511-EZ	1	WASHER,1/4,STAR,ZP

PUMP STATION ELECTRICAL ENCLOSURE PUMP NODE 11010415



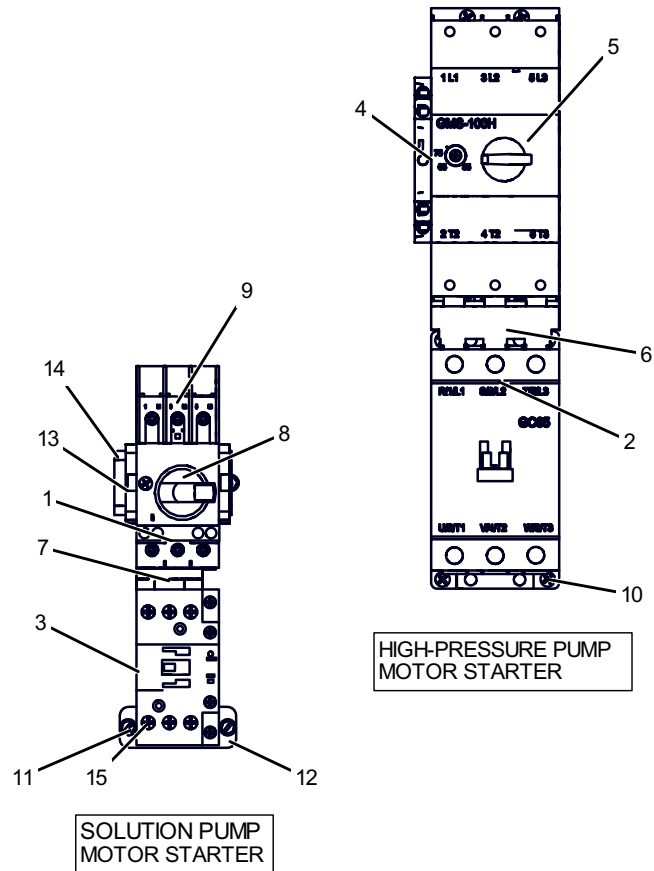
BOM ID	PartNo	Qty	Description
1	02240096M	1	LABEL,NODE-OUTPUTS,PUMP,LW20
2	04580019	4	CIRCUIT-BOARD,OUTPUT,5-RELAY,6A
3	05040408	4	SCREW,#8-32X5,HWHTCS,ZINC-PLT,ST
4	11010052	1	NODE,I/O-MODULE,10IN,20OUT,4US,2SERIAL

PUMP STATION ELECTRICAL ENCLOSURE HIGH VOLTAGE TERMINALS 11010415



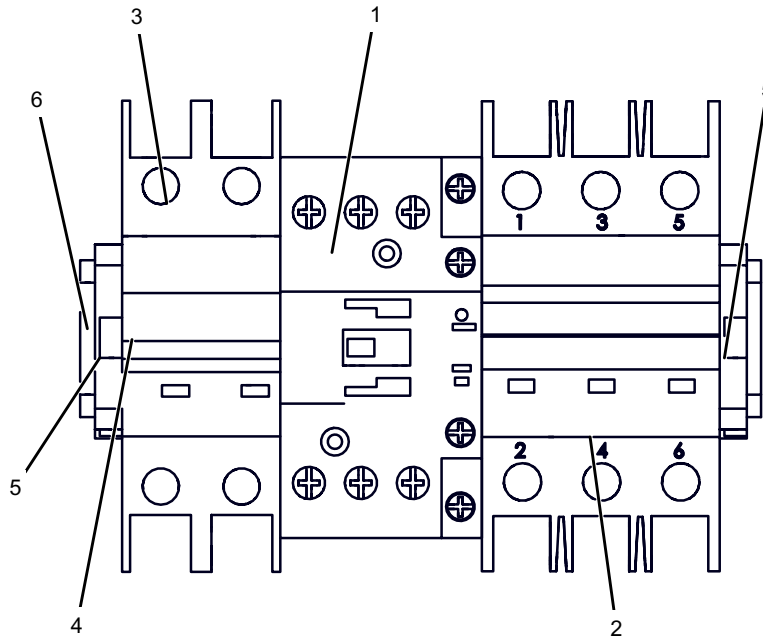
BOM ID	PartNo	Qty	Description
1	04100039	5	TERMINAL-BLOCK,WAGO,3P,8-20AWG,GRAY
2	04100041	3	TERMINAL,END-PLATE,WAGO,2010-SER,3P,ORG
3	04100042	2	TERMINAL,JUMPER,WAGO,2010-SERIES
4	05040408	3	SCREW,#8-32X.5,HWHTCS,ZINC-PLT,ST
5	36650	2	END-STOP,6mm,PLST,GRAY,249-116
6	36950-6.00	1	DIN-RAIL,35mmx6.00",AL
7	04100101	2	TERMINAL,SEPARATOR,3mm-WIDTH,ORG

PUMP STATION ELECTRICAL ENCLOSURE MOTOR STARTERS 11010415



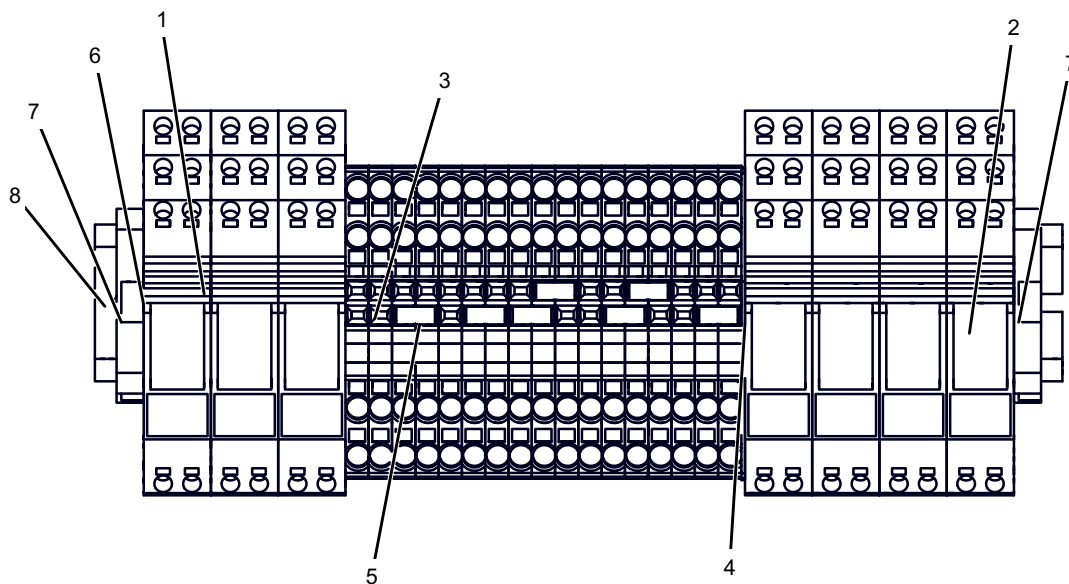
BOM ID	PartNo	Qty	Description
1	04010010	1	CONTACT,AUX,TOP-MOUNT,NO-NC,EATON
2	04020025	1	CONTACTOR,65A,24VAC,200-575VAC,50/60HZ
3	04020032	1	CONTACTOR,25A,24V-50/60HZ,AUX-NO,600V
4	04020041	1	CONTACTOR,AUX,1NO/NC,SIDE-MT,GAVAZZI
5	04110060	1	CIRCUIT-BREAKER,MSP,55-75A,,460V,GAVAZZI
6	04110062	1	LINK-MODULE,MSP-TO-CONTACTOR
7	04110104	1	LINK,MODULE,SIZE-S0,MSP-TO-CONTACTOR
8	04110108	1	CIRCUIT-BREAKER,MSP,6.3-10A,65KA,480V
9	04110142	1	MSP,PHASE,SEPARATOR,FRAME-SIZE,B
10	05040103	8	SCREW,#8-32x.75,PPHTCS,SST
11	05040408	4	SCREW,#8-32X.5,HWHTCS,ZINC-PLT,ST
12	06240906	1	PLATE,MOUNTING,SOL-PUMP,CONTACTOR,LW360P
13	36650	2	END-STOP,6mm,PLST,GRAY,249-116
14	36950-2.50	1	DIN-RAIL,35mmx2.50",AL
15	70033-SCS	1	SCREW,#8-32x.38,PRHMS,SST

PUMP STATION ELECTRICAL ENCLOSURE WATER HEATER TANK CONTROLS 11010415



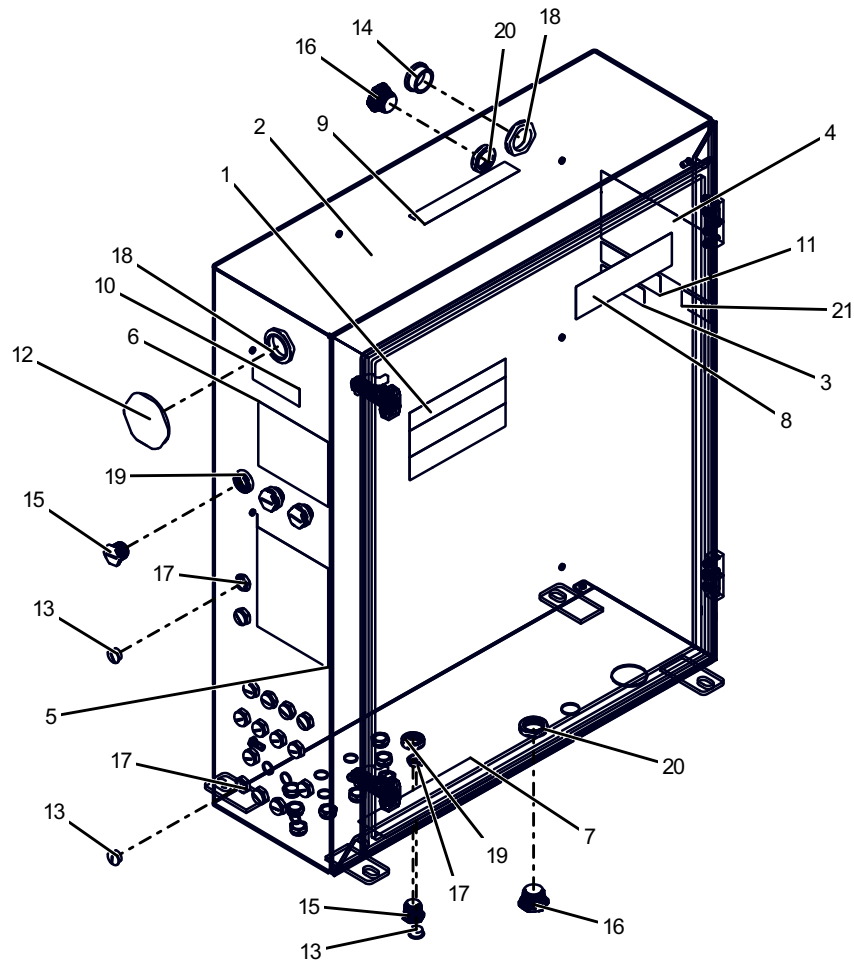
BOM ID	PartNo	Qty	Description
1	04020032	1	CONTACTOR,25A,24V-50/60HZ,AUX-NO,600V
2	04110101	1	CIRCUIT-BREAKER,35A,3P,B,277/480V,UL-489
3	04110136	1	CIRCUIT-BREAKER,3A,2P,D,240V,UL-489
4	05040408	3	SCREW,#8-32X.5,HWHTCS,ZINC-PLT,ST
5	36650	2	END-STOP,6mm,PLST,GRAY,249-116
6	36950-6.00	1	DIN-RAIL,.35mmx6.00",AL

PUMP STATION ELECTRICAL ENCLOSURE LOW VOLTAGE TERMINAL STRIP 11010415



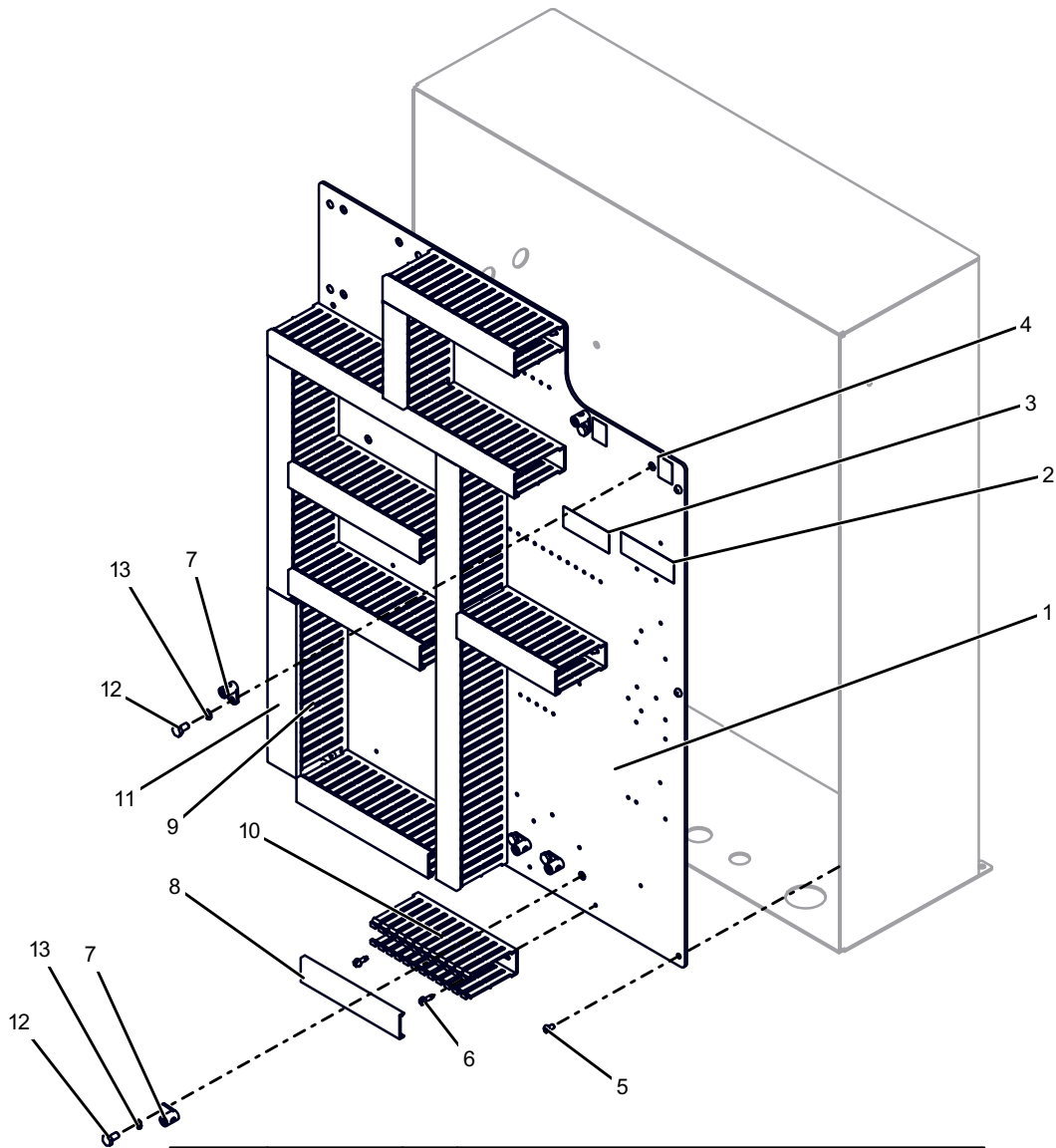
BOM ID	PartNo	Qty	Description
1	04050008	3	RELAY-SOCKET ,W-DPDT-RELAY,24VAC,8A
2	04050010	4	RELAY-SOCKET ,W-DPDT-RELAY,12VDC,8A
3	04100105	17	TERMINAL-BLOCK,4P,20A,600V,AWG-22-12
4	04100106	1	TERMINAL,END-PLATE,2002-14xx,ORG
5	04100107	7	TERMINAL-JUMPER,ADJACENT,2002,SERIES
6	05040408	4	SCREW,#8-32X.5,HWHTCS,ZINC-PLT,ST
7	36650	2	END-STOP,6mm,PLST,GRAY,249-116
8	36950-8.50	1	DIN-RAIL,.35mmx8.50",AL

PUMP STATION ELECTRICAL ENCLOSURE CONTROL BOX 11010415



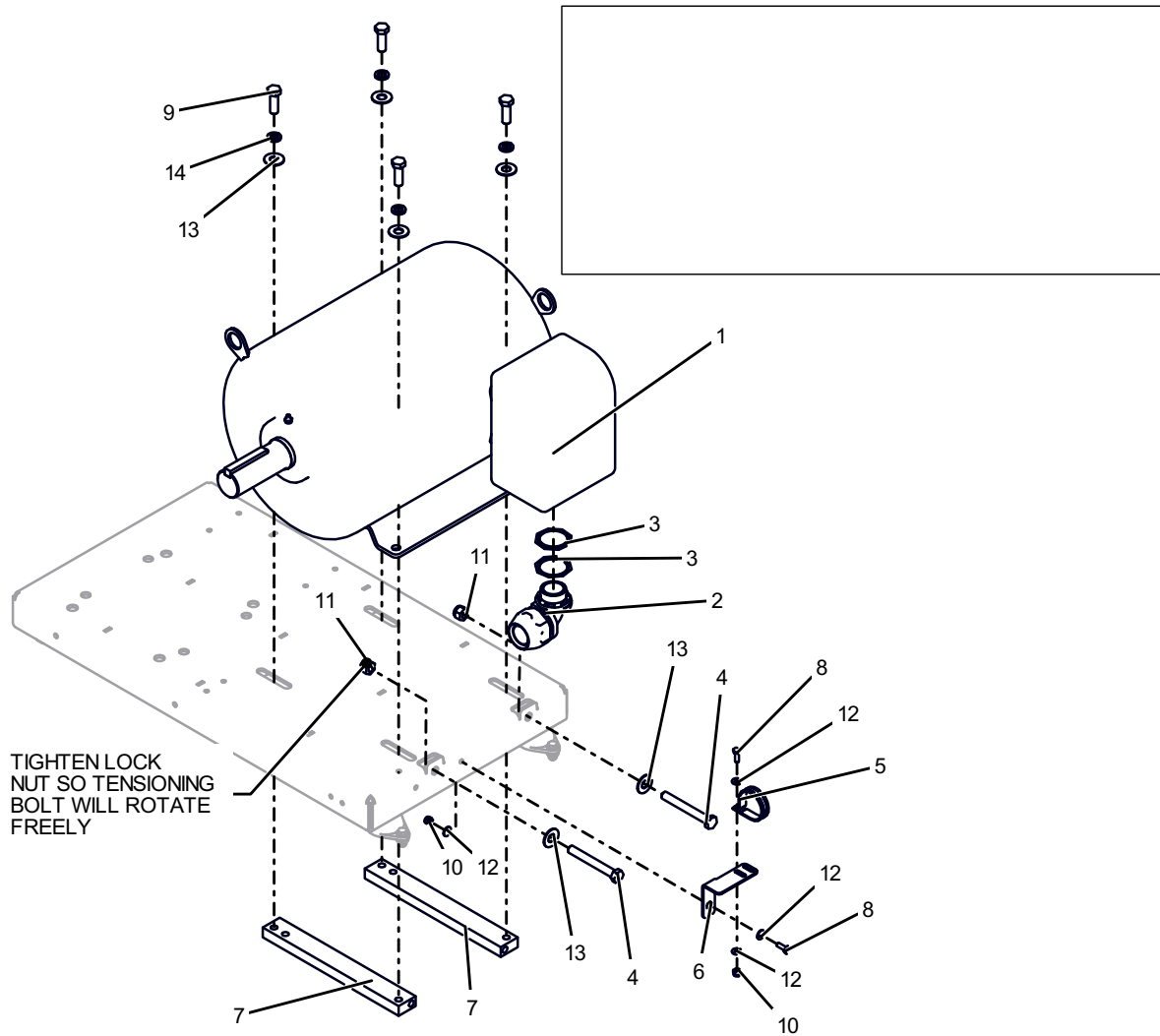
BOM ID	PartNo	Qty	Description
1	02240096B	1	LABEL, MULTIPLE-WARNING, PUMP, LW20
2	04090190	1	ENCLOSURE, PUMP-STA, ELECTRICAL, AL, LW20
3	02210038	1	LABEL, SERIAL, PUMP, LASERWASH-360PLUS
4	02220017	1	LABEL-RATING, PUMP, 208V, 60HZ, LW20
5	02240096A	1	LABEL, FIELD-WIRING, PUMP, LW20
6	02240096K	1	LABEL, HOLES, PUMP, LEFT, LW20
7	02240096L	1	LABEL, HOLES, PUMP, BOTTOM, LW20
8	02240103	1	LABEL, WARNING, OV-SC-GF-PROTECTION
9	02240107	1	LABEL, NOTICE, DO-NOT-DRILL-TOP
10	02240109	1	LABEL, NOTICE, VENT-DO-NOT-REMOVE
11	02240112	1	LABEL, INFO, CE-WITH-AUTH-REP
12	03160018	1	VENT, M32X1.5, POLYCARBONATE, GORE
13	04330010	24	PLUG, HOLE, PG9, NYLON, GREY
14	04330011	1	PLUG, HOLE, M32x1.5, NYLON
15	04330031	4	PLUG, HOLE, 1/2-NPT, NYLON, BLK, UL
16	04330032	2	PLUG, HOLE, 3/4-NPT, NYLON, BLK, UL
17	05020053	24	NUT, PG-9, HEX LOCK, NYL
18	05020063	2	NUT, LOCK, M32x1.5, NYL, GREY
19	05020084	4	NUT, 1/2-NPT, NYLON, BLK, UL
20	05020085	2	NUT, 3/4-NPT, NYLON, BLK, UL
21	02240012	1	LABEL, ETL, UL508A, CSA22.2NO286-17

PUMP STATION ELECTRICAL ENCLOSURE GROUNDING LUGS WIRING DUCT 11010415



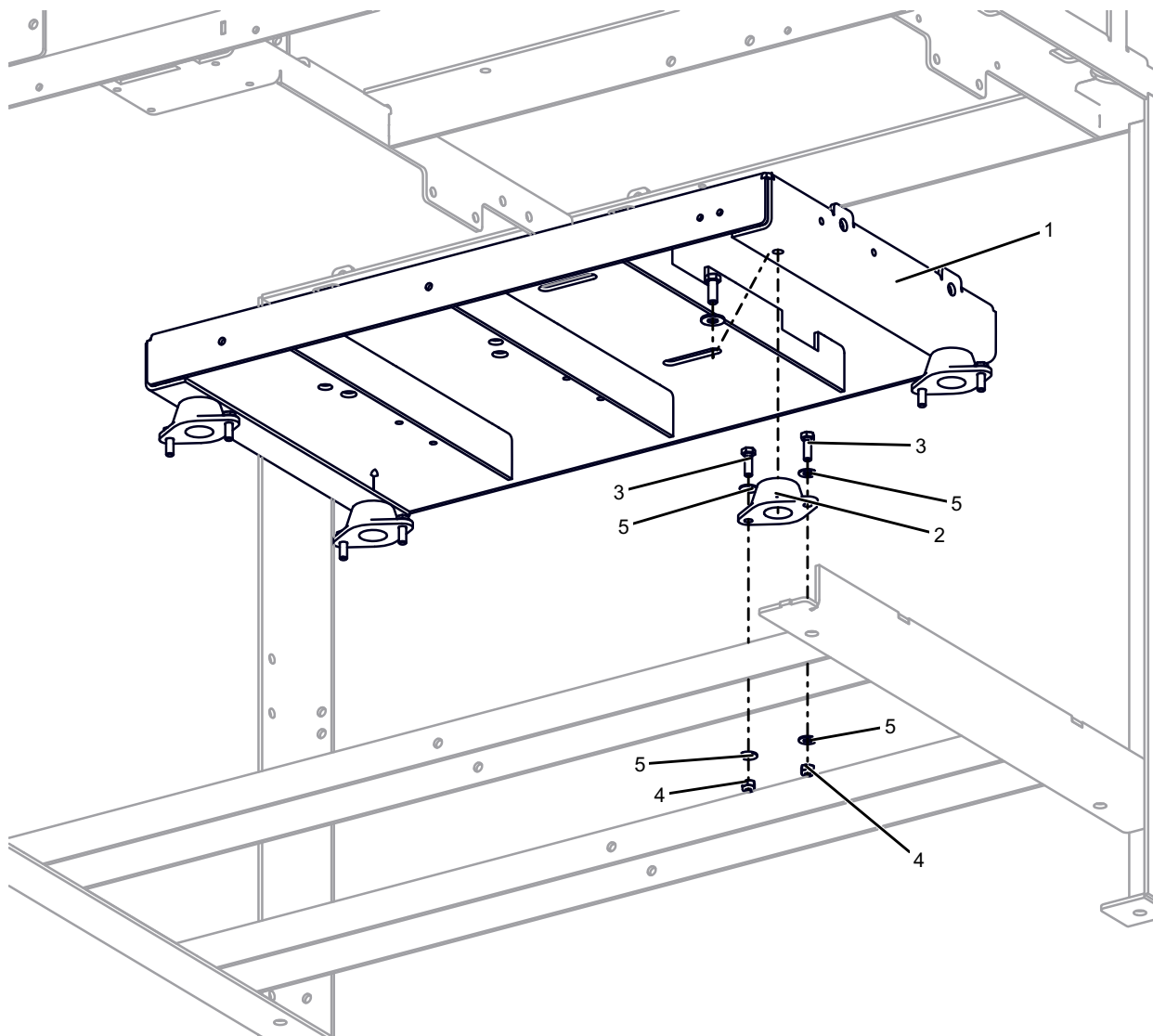
BOM ID	PartNo	Qty	Description
1	06241063	1	PANEL,ELEC,BACK,PUMP-STA,AL,LW20
2	02240096G	1	LABEL,SUPPLY,PUMP-HP,LW20
3	02240096H	1	LABEL,SUPPLY,PUMP-LP-3W,LW20 (208-230)
4	02240108	2	LABEL,ID,GROUND
5	05040278	4	SCREW,#10-32x5/16",PRHMS,SST
6	05040408	25	SCREW,#8-32X.5,HWHTCS,ZINC-PLT,ST
7	34900	5	LUG,GROUNDING,14-4GA,COPPER
8	36215	10	WIRING
9	36220-8.00	1	WIRING DUCT 1.5X3.0X8.0 SLOTTED WHITE PVC
10	36221	10	WIRING
11	36230	1	WIRING DUCT 1.5" COVER WHITE PVC
12	70106-HCS	5	SCREW,1/4-20x.50,HHCS,SST
13	71511-EZ	5	WASHER,1/4,STAR,ZP

PUMP STATION MOTOR ASSEMBLY 09070194



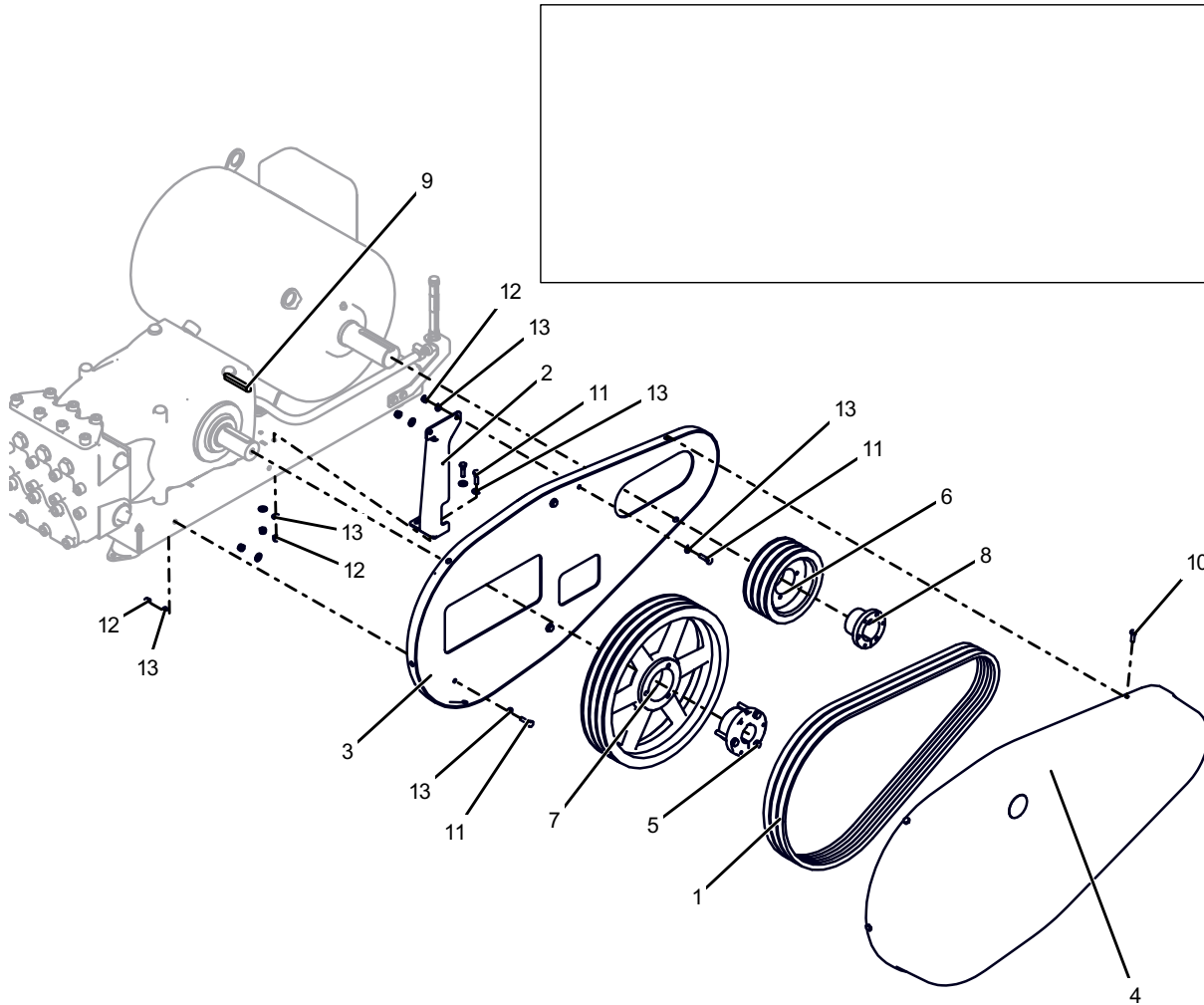
BOM ID	PartNo	Qty	Description
1	04120078	1	MOTOR,25HP,1760,284T,208-230/460V
2	04330029	1	CONNECTOR,CONDUIT,1-1/4,90-DEG,PVC
3	04330030	2	WASHER,CONDUIT,REDUCER,1-1/2x1-1/4
4	05040267	2	SCREW,1/2-13x4.00,HHCS,SST,FULL-THD
5	05050022	1	CLAMP,CUSHION,2",SST
6	06141620	1	BRACKET,TANK-MOUNT,PUMP-FRAME,SST
7	06190145	2	BAR,BELT-TENSION-PUMP-STATION
8	70108-HCS	2	SCREW,1/4-20x.75,HHCS,SST
9	70257-HCS	4	SCREW,1/2-13x1.50,HHCS,SST
10	71011-NCS	2	NUT,1/4-20,HEX,LOCK,SST
11	71015-NCS	2	NUT,1/2-13,HEX,LOCK,SST
12	71511-FS	4	WASHER,1/4,FLAT,SST
13	71515-FSS	6	WASHER,1/2,FLAT,SST
14	71515-LS	4	WASHER,1/2,LOCK,SST

PUMP STATION BASE 11050163



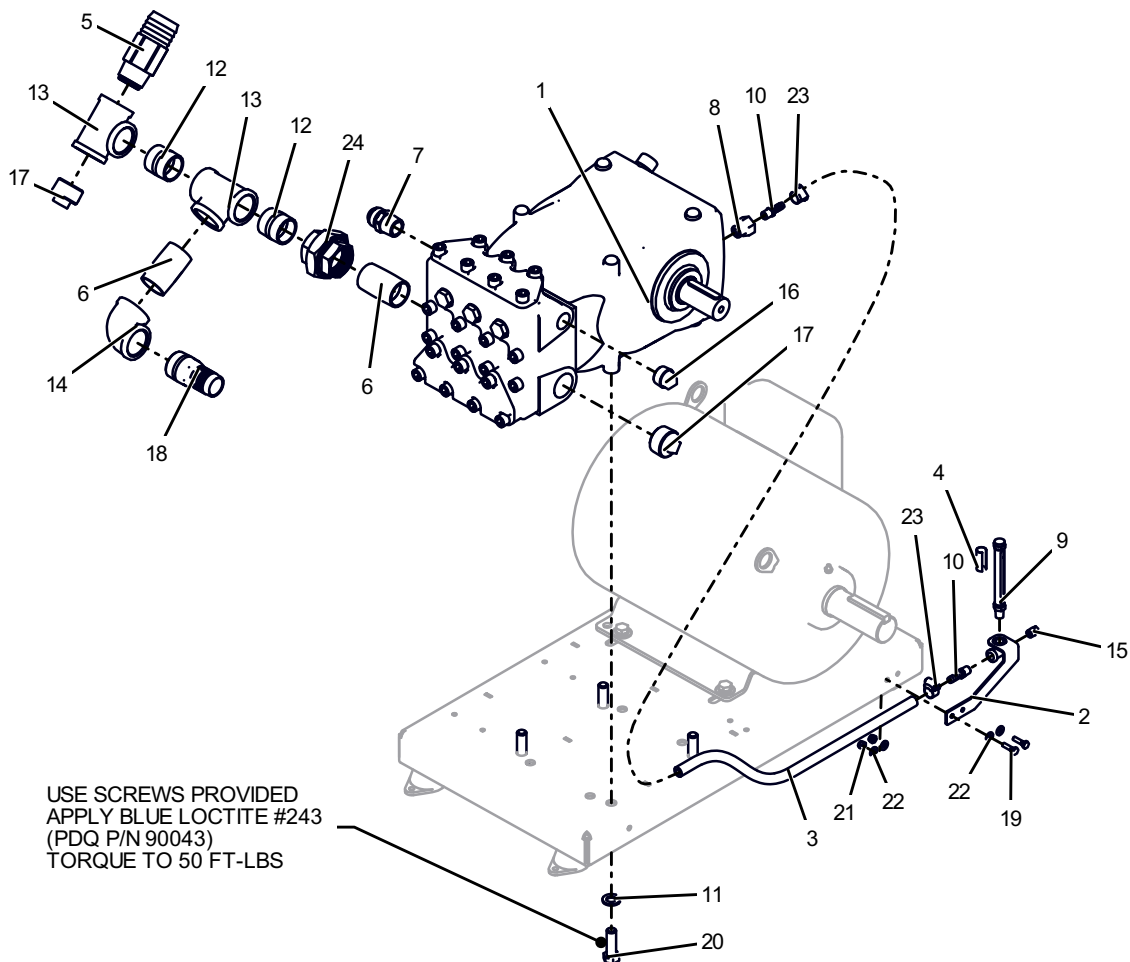
BOM ID	PartNo	Qty	Description
1	06250141	1	FRAME,PUMP/MOTOR,PUMP-STATION,SST,TF
2	06060010	4	MOUNT,DAMPENER,HP-PUMP-ASSY,M5,NPRN
3	70145-HCS	8	SCREW,5/16-18x1.00,HHCS,SST
4	71012-NCS	8	NUT,5/16-18,HEX,LOCK,SST
5	71512-FS	16	WASHER,5/16,FLAT,SST

PUMP STATION PUMP DRIVE 11050163



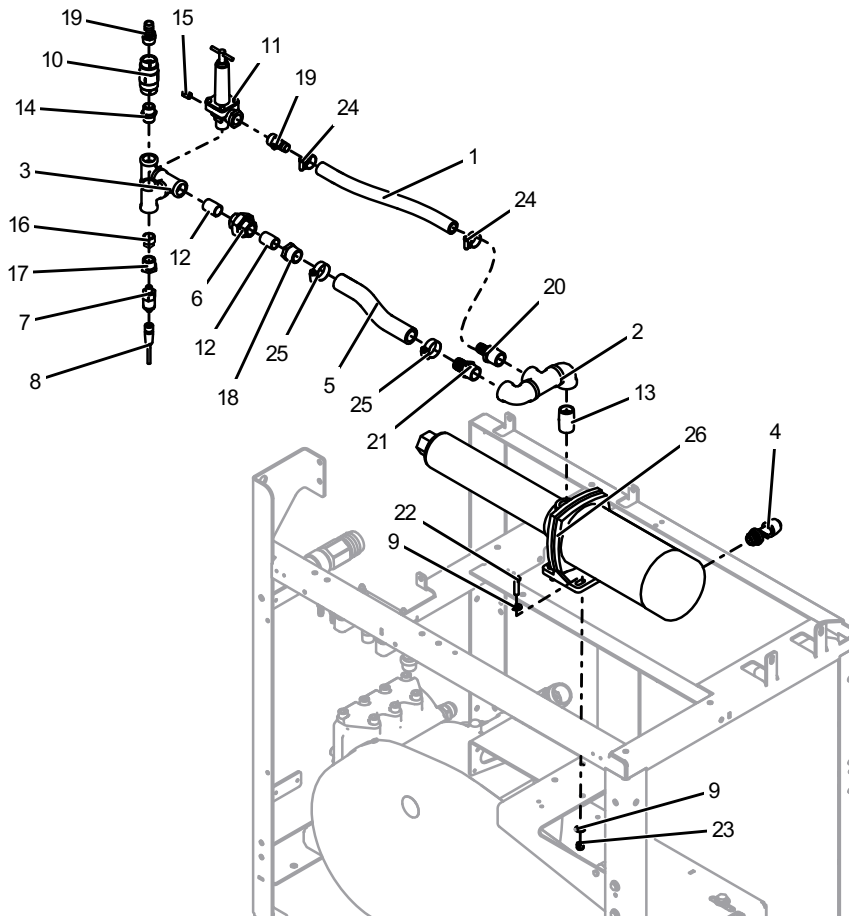
BOM ID	PartNo	Qty	Description
1	06020045	3	BELT,V,BX59,60.8",RUBBER
2	06141691	1	BRACKET,SUPPORT,BELT-GUARD,SST,LW20
3	06160354	1	GUARD,BELT,INNER,PUMP-STATION,LASERWASH
4	06160355	1	GUARD,BELT,OUTER,PUMP-STATION,LASERWASH
5	06200074	1	BUSHING,SHEAVE,40MM,SK,STL
6	12026-3SD	1	PULLEY,V-BELT,3B,6.0,TYPE-SD
7	12043-3SK	1	PULLEY,V-BELT,3B,13.6,TYPE-SK
8	12532-SD	1	BUSHING,SHEAVE,1-7/8,TYPE-SD
9	62701	1	KEY,M10xM8xM70,34021
10	70108-HCS	5	SCREW,1/4-20x1.75,HHCS,SST
11	70110-HCS	6	SCREW,1/4-20x1.00,HHCS,SST
12	71011-NCS	6	NUT,1/4-20,HEX,LOCK,SST
13	71511-FS	12	WASHER,1/4,FLAT,SST

PUMP STATION PUMP PLUMBING 11050163



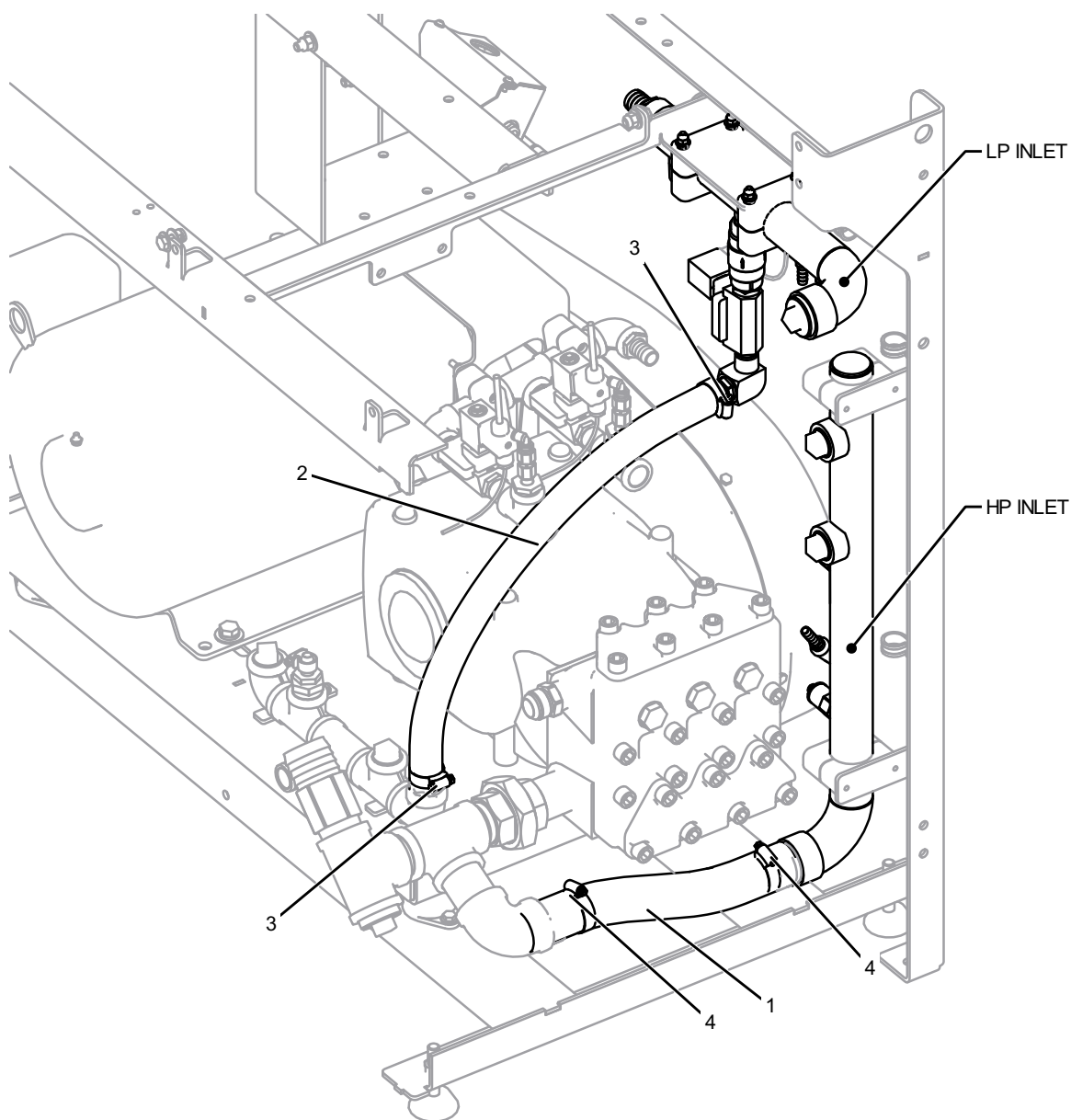
BOM ID	PartNo	Qty	Description
1	03180039	1	PUMP,EMPEROR,HTCK4050S,36GPM,800RPM
2	03220375	1	MANIFOLD,OIL-LVL,6.0IN-TUBE,HP-PMP,360P
3	03340098	1	HOSE,,375,300PSI,SYN-RBR,SYN-YRN,24-LONG
4	02240092	1	LABEL,OIL-LEVEL,HP-PUMP,TF
5	03070064	1	COUPLING,1-1/2NPTx2H,WCHKSEAT,SST
6	03130061	2	NIPPLE,1-1/2NPTx3.00,SCH40,BRS
7	03140044	1	ADAPTER,#16-MJICx1MPT,Z-PLT
8	03140064	1	ADAPTER,1/2BSPPx1/4FNPT
9	03170012	1	GAUGE,OIL-LEVEL,6.00-INCH,SIGHT-GLASS
10	03310007	2	HOSE-BARB,3/8Hx1/4MNPT,316SST
11	05030020	4	WASHER,M16,FLAT,SST
12	67017-4B	2	NIPPLE,1-1/2NPTxCLOSE,SC40,BRS
13	67131-4B	2	TEE,1-1/2NPT,PIPE,SC40,BRS
14	67414-4B	1	ELBOW,1-1/2NPT,90DEG,SC40,BRS
15	67603-B	1	PLUG,1/4NPT,SQ-HD,BRS
16	67605-B	1	PLUG,1NPT,SQ-HD,BRS
17	67607-B	2	PLUG,1-1/2NPT,SQ-HD,BRS
18	68141-MB	1	HOSE-BARB,1-1/2Hx1-1/2MNPT,BRS
19	70110-HCS	2	SCREW,1/4-20x1.00,HHCS,SST
20	70339-HCS	4	SCREW,5/8-11x2.00,HHCS,SST
21	71011-NCS	2	NUT,1/4-20,HEX,LOCK,SST
22	71511-FS	4	WASHER,1/4,FLAT,SST
23	75101	2	CLAMP,HOSE,#6,,38-.50H,SST
24	03070066	1	COUPLING,1-1/2NPT,UNION-CONN,SST,LW20

PUMP STATION LP PUMP 11050165



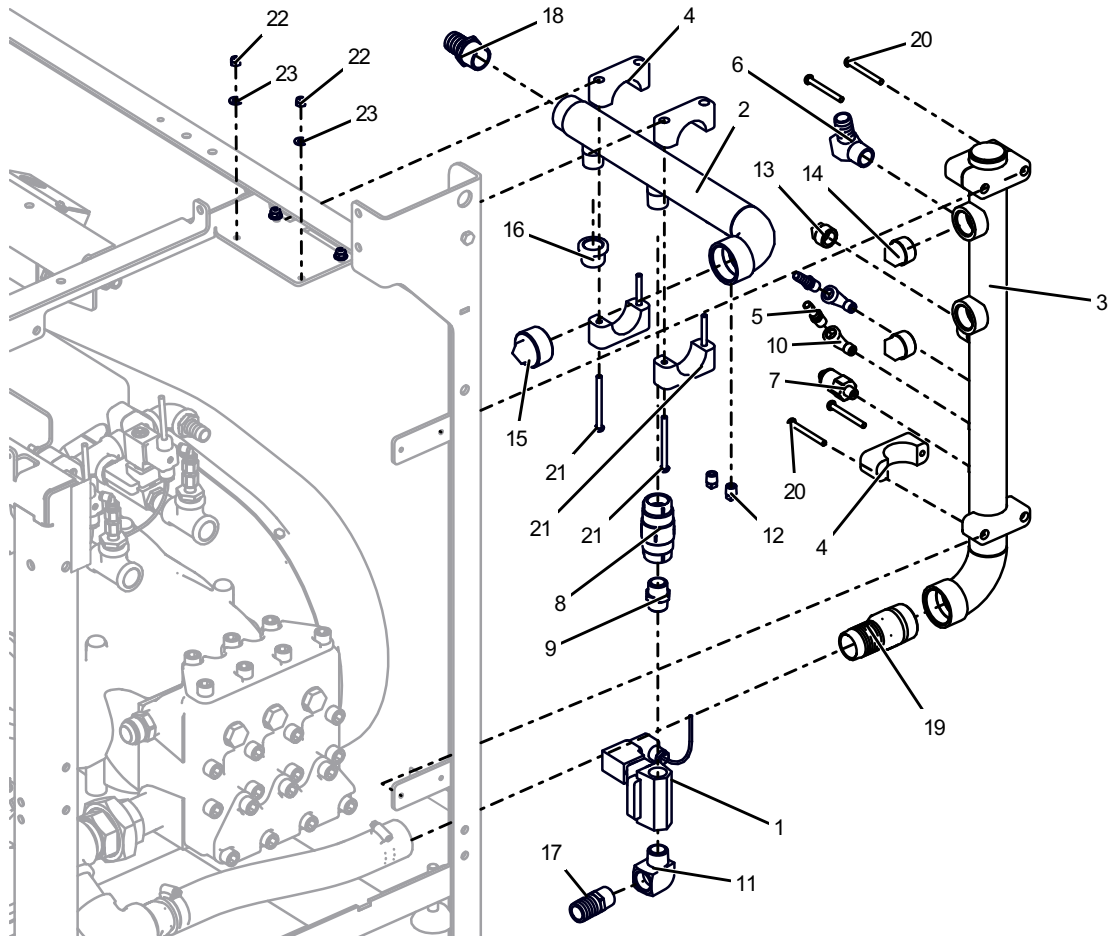
BOM ID	PartNo	Qty	Description
1	01130025	1	HOSE, .75,250, BLACK, SYN-RBR, SYN-YRN
2	03220326	1	MANIFOLD, WELD-FTG, LP-INLET, SST, TF
3	03220417	1	MANIFOLD, OUTLET, LP-PUMP, SST, LW20
4	04080811	1	HARNESS, LP-PUMP, 208-230, 60, LW20
5	61031	1	HOSE, 1.00, 200, BLACK, SYN-RBR, SYN-YRN
6	03120012	1	UNION, 3/4NPT, SC40, SST
7	04040055	1	SWITCH, PRESSURE, 90PSI, NO. 1/4MNPT, M12
8	04080775	1	CORDSET, M12, 4X22AWG, STRAIGHT, 2M
9	05030067	8	WASHER, 3/8, FLAT, 7/8-OD, .050THK, SST
10	63119	1	VALVE, CHECK, 3/4NPT, 400PSI, 0.5#, BRONZE
11	63185	1	VALVE, RELIEF, 3/4", BRASS
12	67014-4S	2	NIPPLE, 3/4NPTxCLOSE, SC40, SST
13	67015-B4S	1	NIPPLE, 1NPTx2.00, SC40, SST
14	67060-4B	1	NIPPLE, HEX, 3/4NPT, BRS
15	67603-B	1	PLUG, 1/4NPT, SQ-HD, BRS
16	67604-B	1	PLUG, 3/4NPT, SQ-HD, BRS
17	67707-S	1	BUSHING, 3/4NPTx1/4NPT, SST
18	67714-S	1	BUSHING, 1NPTx3/4NPT, SST
19	68123-MHB	2	HOSE-BARB, 3/4HX3/4MNPT, BRS
20	68124-MHB	1	HOSE-BARB, 3/4HX1MNPT, BRS
21	68129-MHB	1	HOSE-BARB, 1HX1MPT, BRS
22	70182-HCS	4	SCREW, 3/8-16x1.50, HHCS, SST
23	71013-NCS	4	NUT, 3/8-16, HEX LOCK, SST
24	75103	2	CLAMP, HOSE, #12, .75H, SST
25	75104	2	CLAMP, HOSE, #16, 1.00H, SST
26	03180017	1	PUMP, STA-RITE, 11STG, 20GPM, 2HP, 208/480V

PUMP STATION INLET MANIFOLD HOSES 09070194



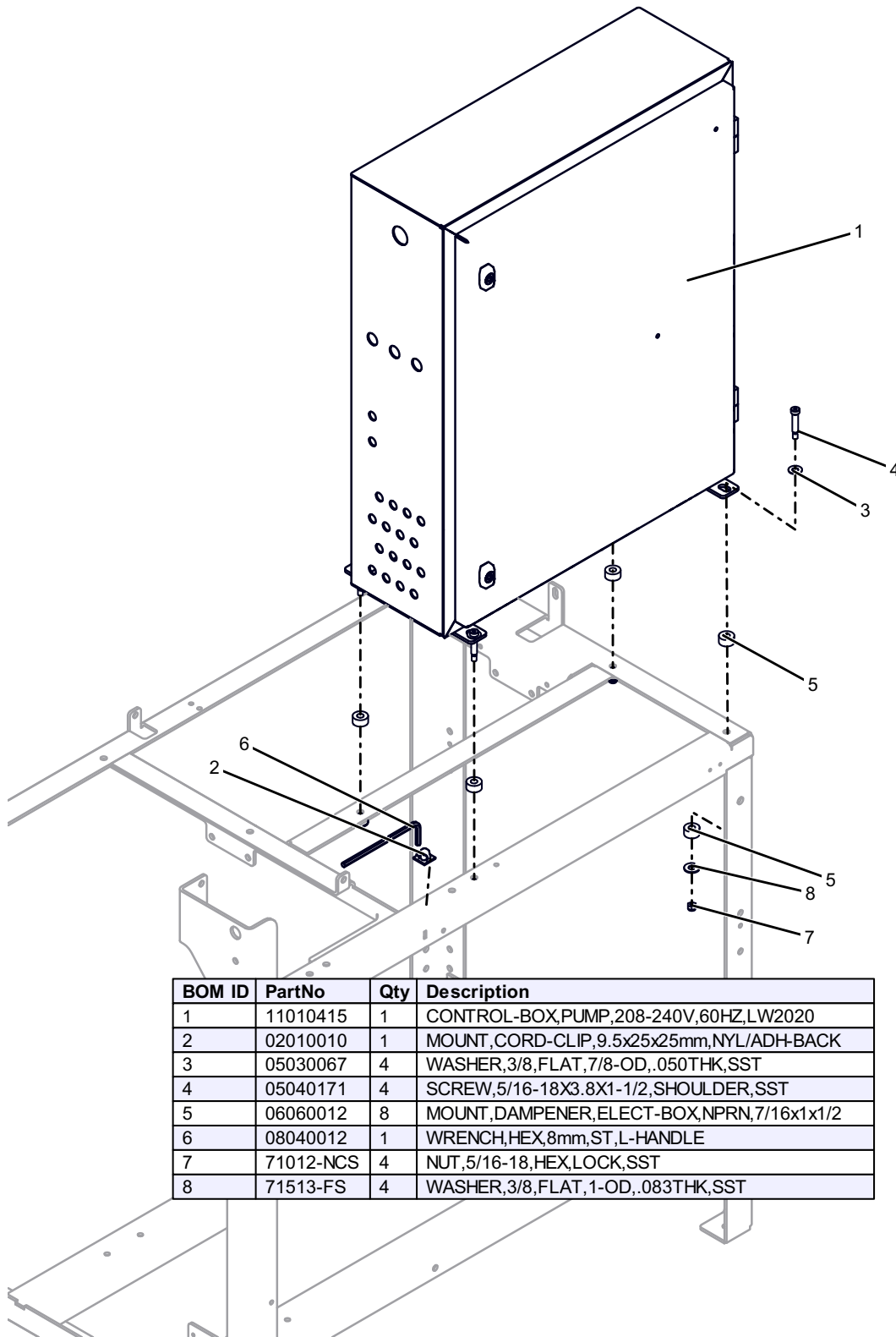
BOM ID	PartNo	Qty	Description
1	01130013	1	HOSE, 1.50, 200PSI, RBR, FBRC, BLK
2	61031	1	HOSE, 1.00, 200, BLACK, SYN-RBR, SYN-YRN
3	75104	2	CLAMP, HOSE, #16, 1.00H, SST
4	75106	2	CLAMP, HOSE, #24, 1.25H, SST

PUMP STATION INLET MANIFOLDS 09070194



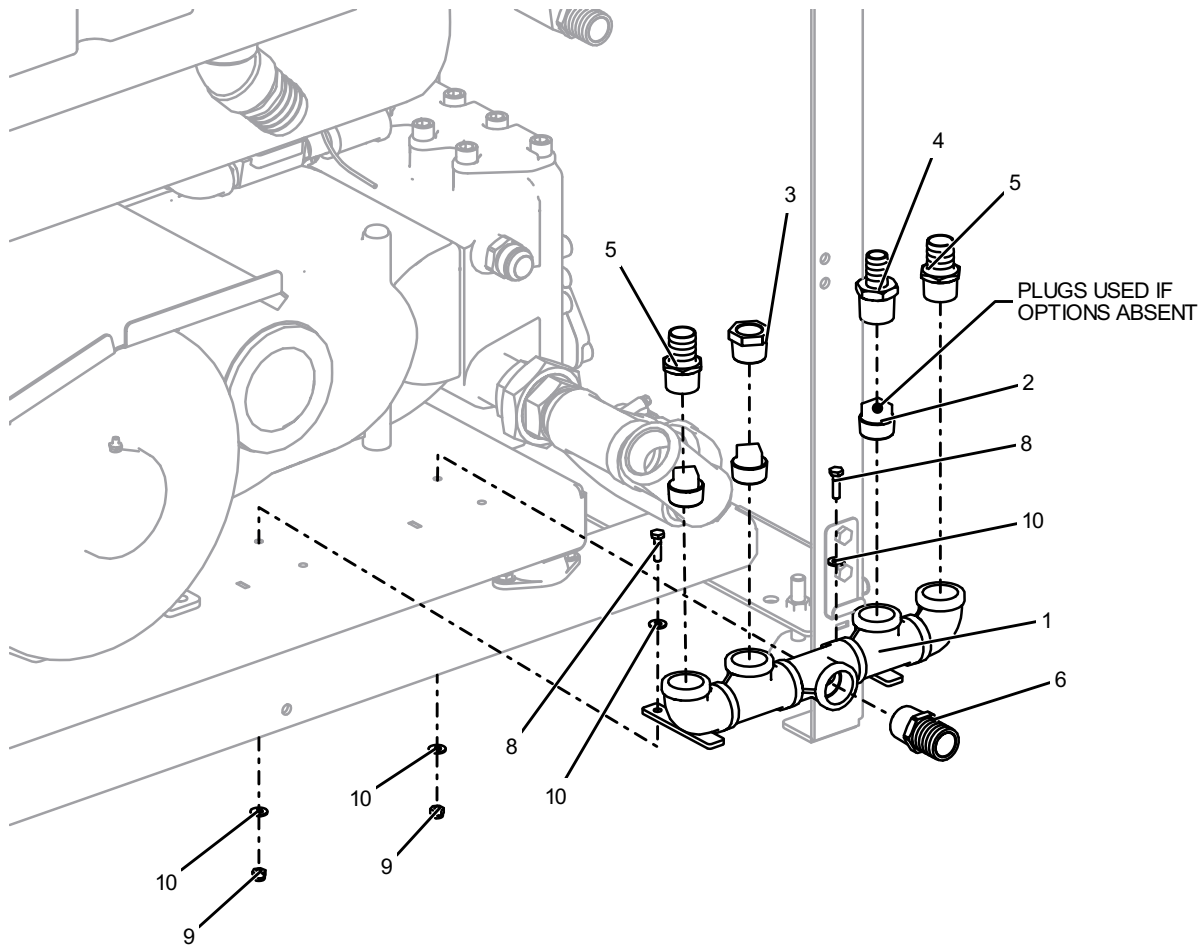
BOM ID	PartNo	Qty	Description
1	03010178	1	VALVE, 3/4", BRASS, 2-WAY, NC, 232PSI
2	03220312	1	MANIFOLD, LP-INLET, SST, TOUCHFREE
3	03220315	1	MANIFOLD, HP-INLET, SST, TOUCHFREE
4	05050067	4	CLAMP, PIPE, 1-1/2, PP, STANDARD
5	03310007	2	HOSE-BARB, 3/8x1/4MNPT, 316SST
6	03310030	1	HOSE-BARB, 3/4x3/4MNPT, 90°, BRS
7	04040054	1	SWITCH, PRESSURE, 2PSI, NO, 1/4MNPT, M12
8	63119	1	VALVE, CHECK, 3/4NPT, 400PSI, 0.5#, BRONZE
9	67060-4B	1	NIPPLE, HEX, 3/4NPT, BRS
10	67487-4S	2	ELBOW, STREET, 1/4NPT, 90DEG, SC40, SST
11	67493-4B	1	ELBOW, STREET, 3/4NPT, 90DEG, BRS, BARSTOCK
12	67603-B	2	PLUG, 1/4NPT, SQ-HD, BRS
13	67604-B	1	PLUG, 3/4NPT, SQ-HD, BRS
14	67605-B	2	PLUG, 1NPT, SQ-HD, BRS
15	67607-B	1	PLUG, 1-1/2NPT, SQ-HD, BRS
16	67679-S	1	CAP, 3/4NPT, SST
17	68128-MHB	1	HOSE-BARB, 1Hx3/4MNPT, BRS
18	68129-MHB	1	HOSE-BARB, 1Hx1MPT, BRS
19	68141-MB	1	HOSE-BARB, 1-1/2Hx1-1/2MNPT, BRS
20	70116-SCS	4	SCREW, 1/4-20x2.50, PRHMS, SST
21	70118-SCS	4	SCREW, 1/4-20x3.00, PRHMS, SST
22	71011-NCS	4	NUT, 1/4-20, HEX, LOCK, SST
23	71511-FS	4	WASHER, 1/4, FLAT, SST

PUMP STATION ELECTRICAL ENCLOSURE 11010415



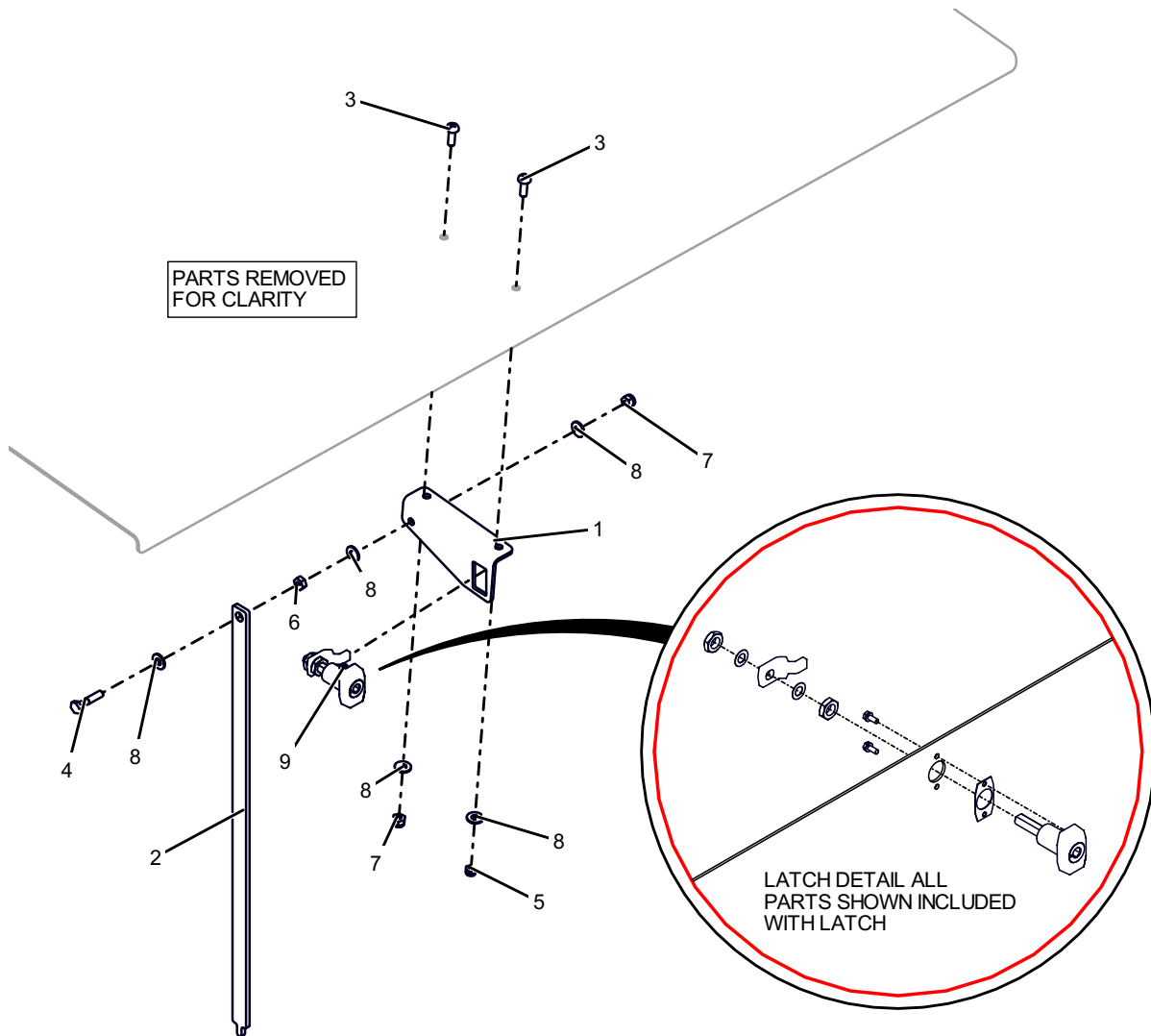
BOM ID	PartNo	Qty	Description
1	11010415	1	CONTROL-BOX,PUMP,208-240V,60HZ,LW2020
2	02010010	1	MOUNT,CORD-CLIP,9.5x25x25mm,NYL/ADH-BACK
3	05030067	4	WASHER,3/8,FLAT,7/8-OD,.050THK,SST
4	05040171	4	SCREW,5/16-18X3.8X1-1/2,SHOULDER,SST
5	06060012	8	MOUNT,DAMPENER,ELECT-BOX,NPRN,7/16x1x1/2
6	08040012	1	WRENCH,HEX,8mm,ST,L-HANDLE
7	71012-NCS	4	NUT,5/16-18,HEX,LOCK,SST
8	71513-FS	4	WASHER,3/8,FLAT,1-OD,.083THK,SST

PUMP STATION FRESH WATER INLET 09070194



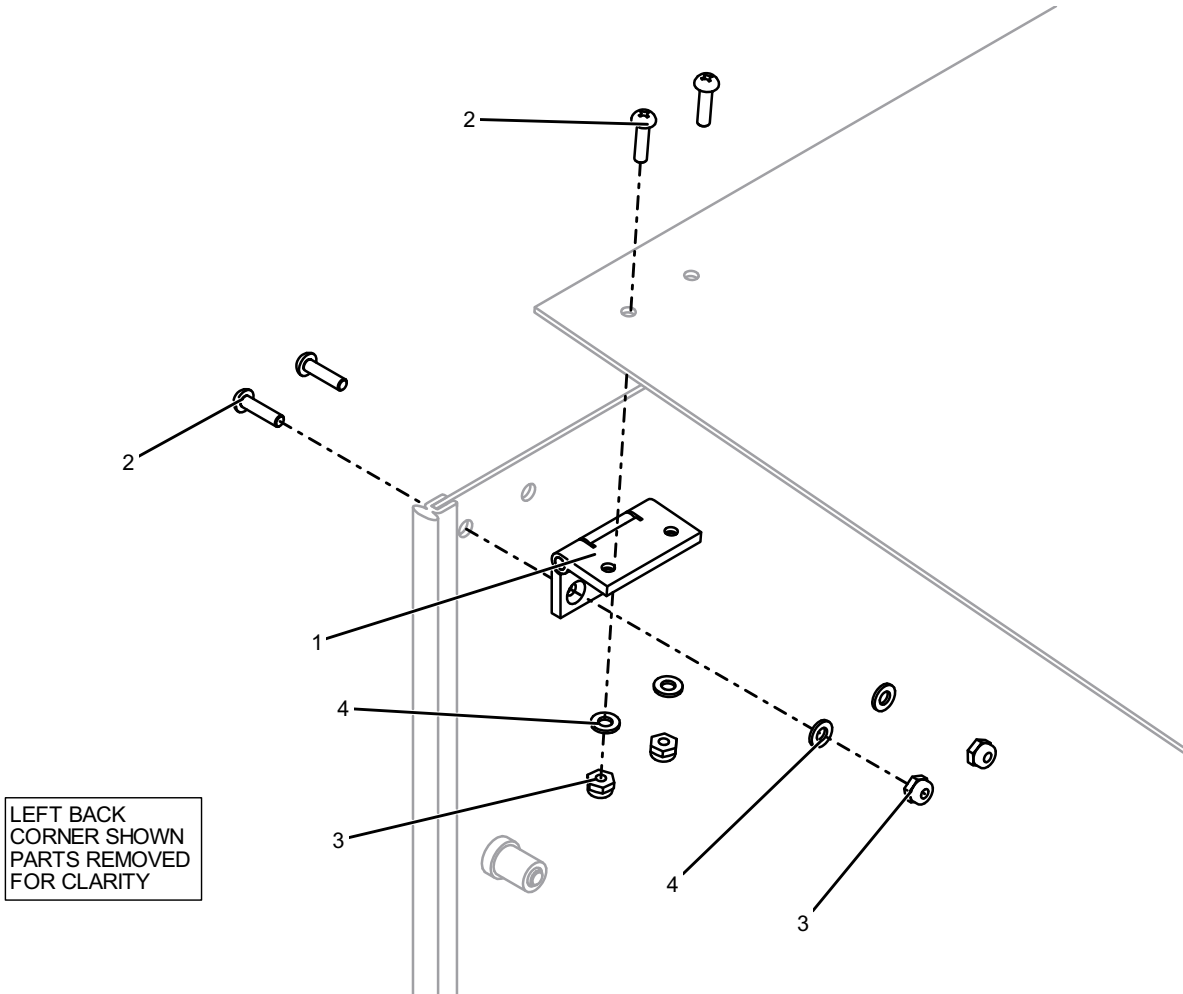
BOM ID	PartNo	Qty	Description
1	03220325	1	MANIFOLD,WELD-FTG,INLET,SST,TF
2	67605-B	3	PLUG,1NPT,SQ-HD,BRS
3	67714-S	1	BUSHING,1NPTx3/4NPT,SST
4	68124-MHB	1	HOSE-BARB,3/4Hx1MNPT,BRS
5	68129-MHB	2	HOSE-BARB,1Hx1MPT,BRS
6	68134-MHB	1	HOSE-BARB,1-1/4Hx1MNPT,BRS
8	70110-HCS	2	SCREW,1/4-20x1.00,HHCS,SST
9	71011-NCS	2	NUT,1/4-20,HEX,LOCK,SST
10	71511-FS	4	WASHER,1/4,FLAT,SST

PUMP STATION TOP COVER PROP ROD 11260178



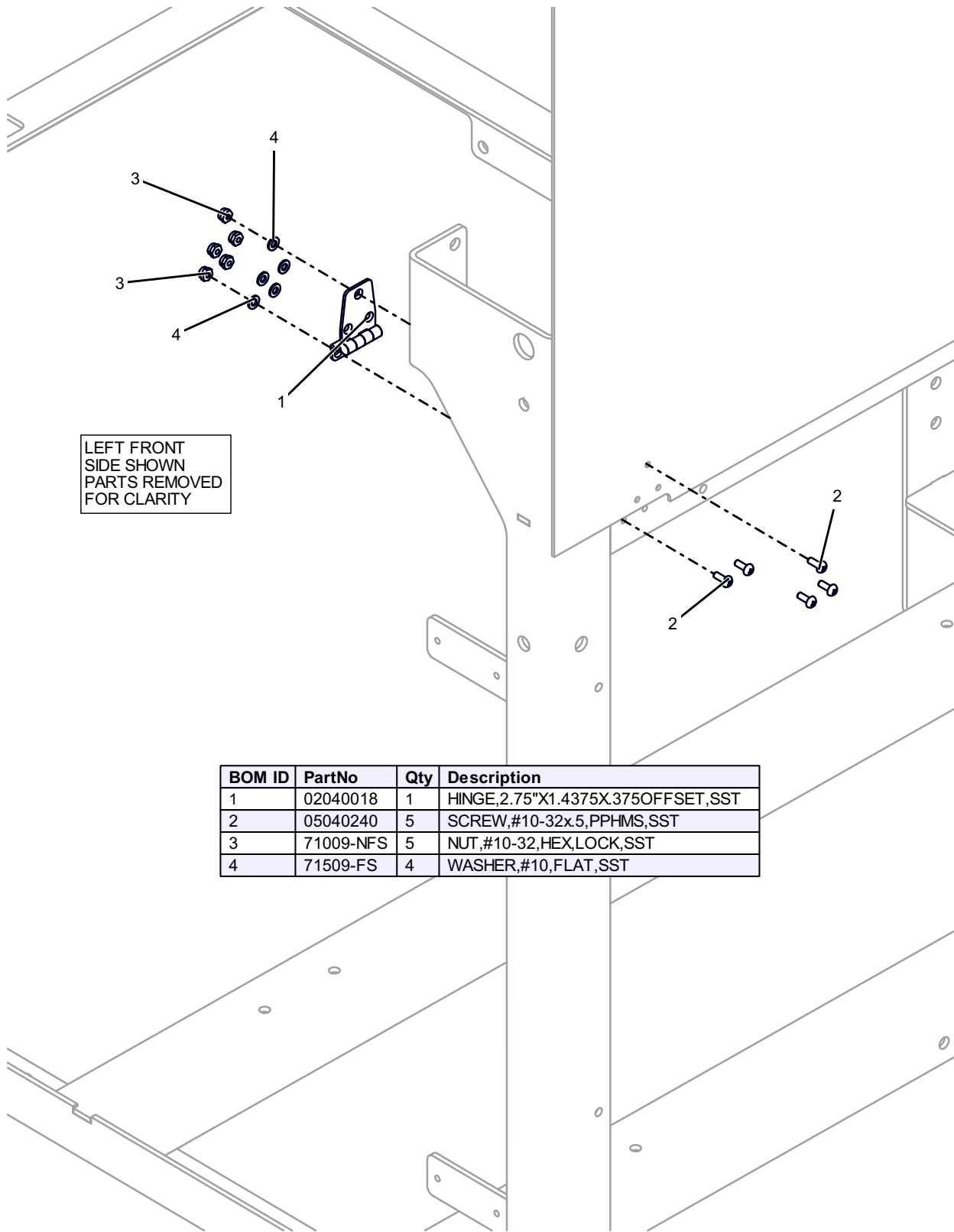
BOM ID	PartNo	Qty	Description
1	06141349	1	BRACKET,COVER,TOP-LATCH,PUMP,LW360P
2	06190168	1	BAR,SUPPORT,IN-BAY,TOP-PUMP-COVER,LW360P
3	70108-SCS	2	SCREW,1/4-20x.75,PPHMS,SST
4	70111-HCS	1	SCREW,1/4-20x1.25,HHCS,SST
5	71009-NFS	1	NUT,#10-32,HEX,LOCK,SST
6	71011-HCS	1	NUT,1/4-20,HEX,SST
7	71011-NCS	2	NUT,1/4-20,HEX,LOCK,SST
8	71511-FS	5	WASHER,1/4,FLAT,SST
9	02050011	1	LATCH,CAM,SOUTHCO,E3-36-25

PUMP STATION TOP COVER HINGE 11260178



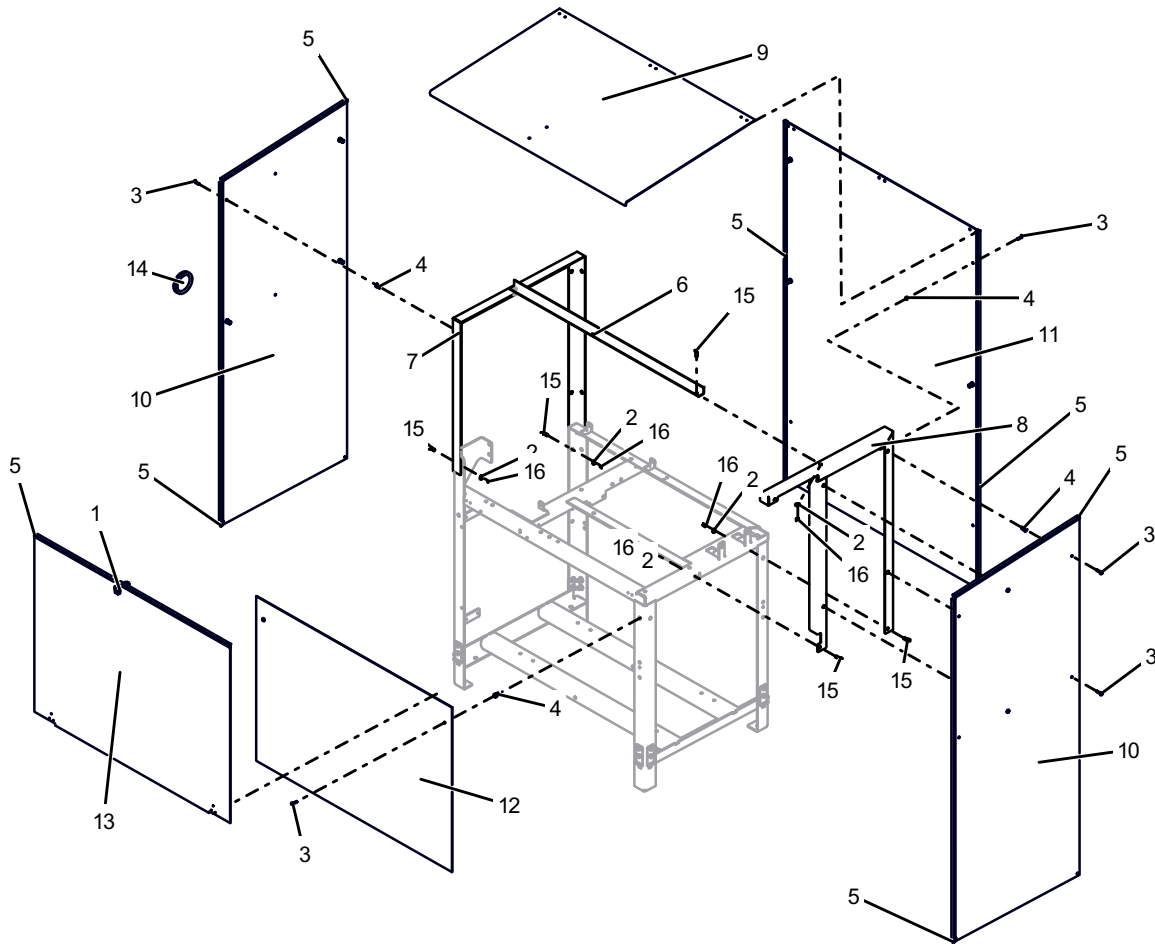
BOM ID	PartNo	Qty	Description
1	02040017	1	HINGE,2"X2"X.187,SST
2	70062-SCS	4	SCREW,#10-32x.75,PPHMS,SST
3	71009-NFS	4	NUT,#10-32,HEX,LOCK,SST
4	71509-FS	4	WASHER,#10,FLAT,SST

PUMP STATION FRONT COVER HINGE 11260178



BOM ID	PartNo	Qty	Description
1	02040018	1	HINGE,2.75"X1.4375X.375OFFSET,SST
2	05040240	5	SCREW,#10-32x.5,PPHMS,SST
3	71009-NFS	5	NUT,#10-32,HEX,LOCK,SST
4	71509-FS	4	WASHER,#10,FLAT,SST

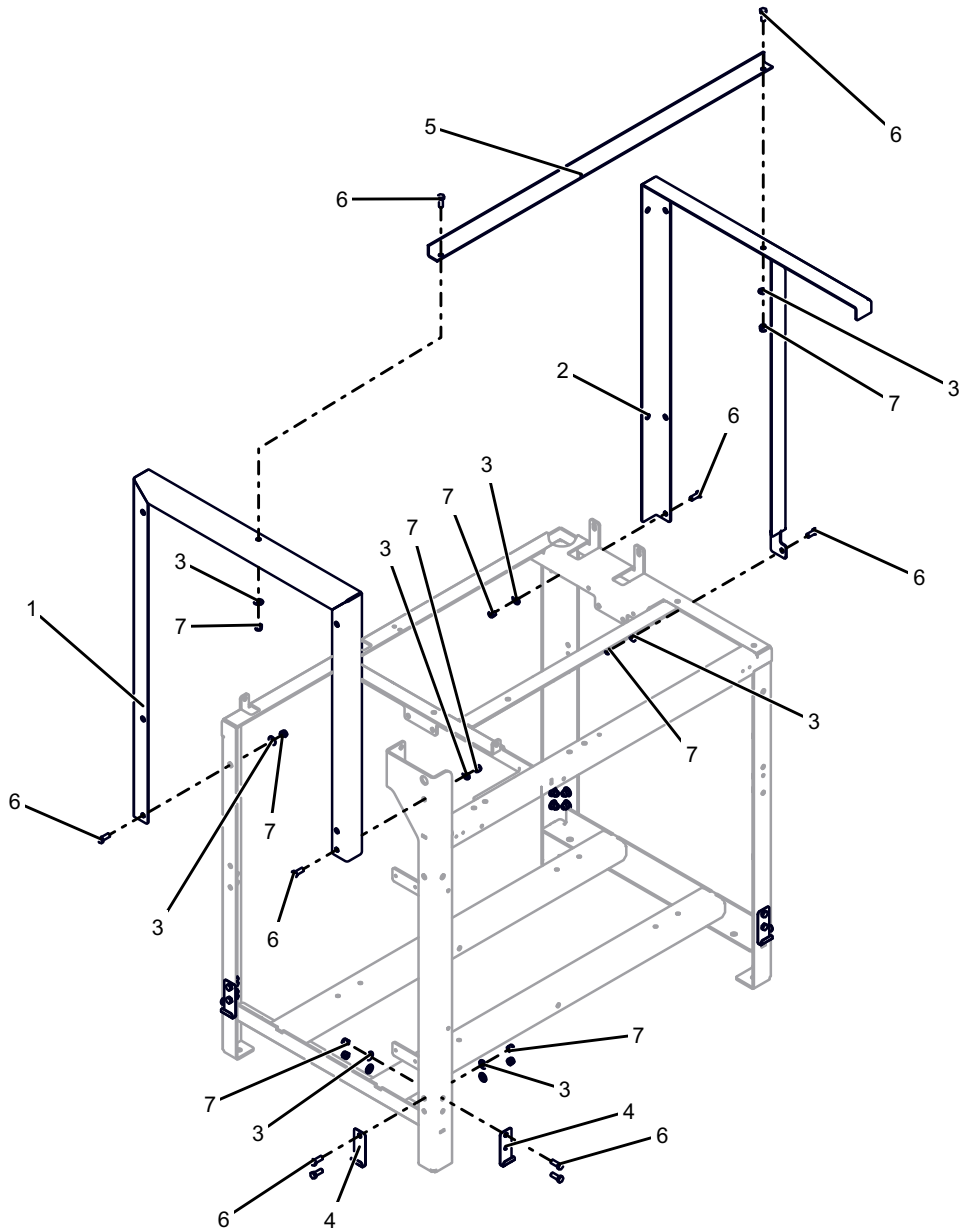
PUMP STATION COVERS AND GASKETS 11260178



BOM ID	PartNo	Qty	Description
1	02050011	1	LATCH,CAM,SOUTHCO,E3-36-25
2	05030067	6	WASHER,3/8,FLAT,7/8-OD,.050THK,SST
3	05040201	14	SCREW,1/4-20x1.00,PTHMS,SST
4	05180006	14	INSERT,THREADED,1/4UNC,NPRN,BRS
5	06070035	7	GASKET,TRIM,EDGE,.13EDGE,.38DIA
6	06141348	1	BRACKET,COVER,ANGLE-BRACE,PUMP,LW360P
7	06141819	1	BRACKET,COVER,END,LH,PUMP,LW20
8	06141820	1	BRACKET,COVER,END,RH,PUMP,LW20
9	06160502	1	COVER,TOP-PANEL,INBAY-PUMP,LW360P
10	06160503	2	COVER,SIDE-PANEL,INBAY-PUMP,LW360P
11	06160504	1	COVER,BACK-PANEL,INBAY-PUMP,LW360P
12	06160602	1	COVER,FRONT-LOWER,INBAY-PUMP,LW20
13	06160603	1	COVER,FRONT-UPPER,INBAY-PUMP,LW20
14	06310008	1	GROMMET,16x98x8mm,NEOPRENE
15	70180-HCS	6	SCREW,3/8-16x1.00,HHCS,SST
16	71013-NCS	6	NUT,3/8-16,HEX,LOCK,SST

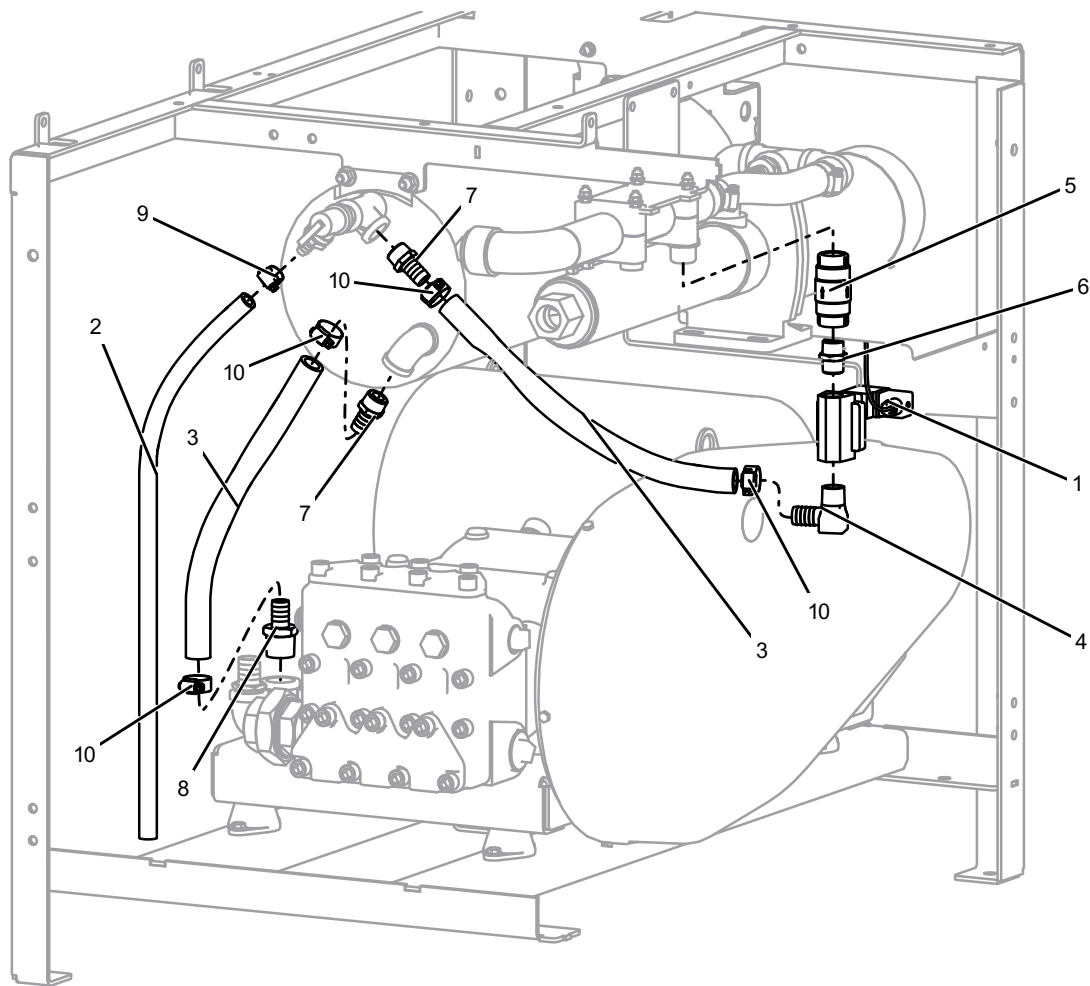
PUMP STATION COVER SUPPORT BRACKETS

11260178



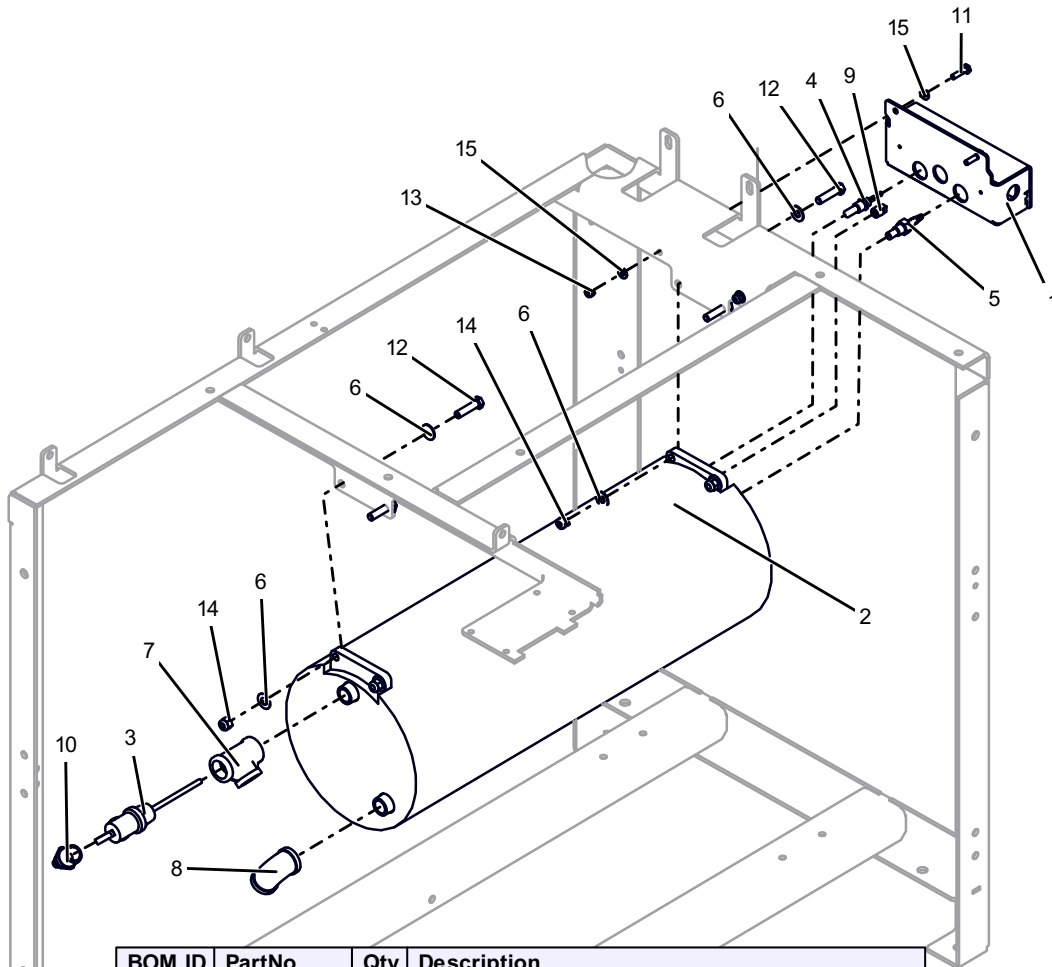
BOM ID	PartNo	Qty	Description
1	06141819	1	BRACKET,COVER,END,LH,PUMP,LW20
2	06141820	1	BRACKET,COVER,END,RH,PUMP,LW20
3	05030067	22	WASHER,3/8,FLAT,7/8-OD,.050THK,SST
4	06141345	8	BRACKET,COVER,BOTTOM-CLIP,PUMP,LW360P
5	06141348	1	BRACKET,COVER,ANGLE-BRACE,PUMP,LW360P
6	70180-HCS	22	SCREW,3/8-16x1.00,HHCS,SST
7	71013-NCS	22	NUT,3/8-16,HEX,LOCK,SST

PUMP STATION WATER HEATER HOSE ROUTING CONTROL VALVE 09130030



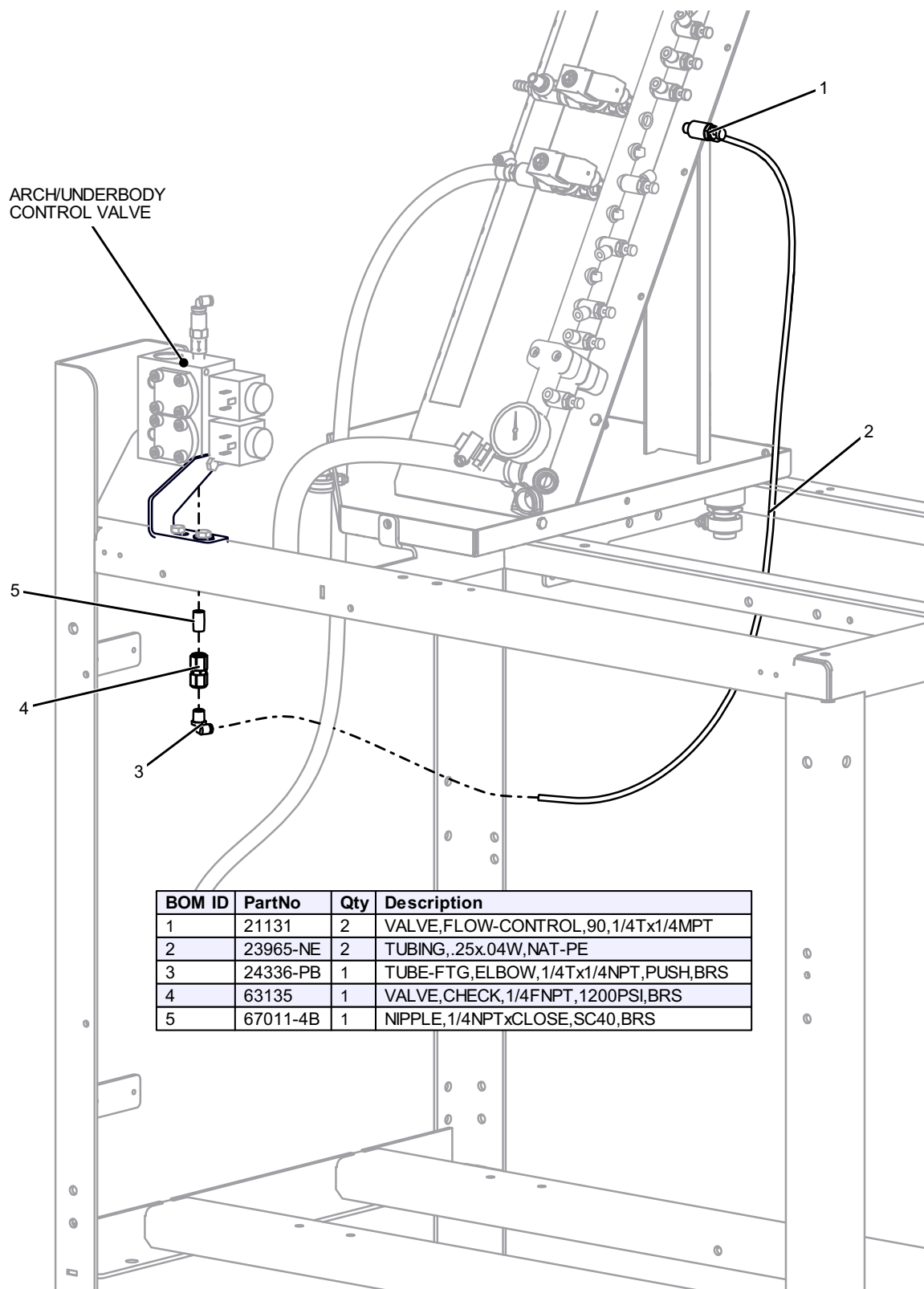
BOM ID	PartNo	Qty	Description
1	03010178	1	VALVE, 3/4", BRASS, 2-WAY, NC, 232PSI
2	61025	1	HOSE, .50, 200PSI, BLACK, SYN-RBR, SYN-YRN
3	61030	2	HOSE, 3/4, 200, BLACK, SYN-RBR, SYN-YRN
4	03310030	1	HOSE-BARB, 3/4Hx3/4MNPT, 90°, BRS
5	63119	1	VALVE, CHECK, 3/4NPT, 400PSI, 0.5#, BRONZE
6	67060-4B	1	NIPPLE, HEX, 3/4NPT, BRS
7	68123-MHB	2	HOSE-BARB, 3/4Hx3/4MNPT, BRS
8	68124-MHB	1	HOSE-BARB, 3/4Hx1MNPT, BRS
9	75101	1	CLAMP, HOSE, #6, .38-.50H, SST
10	75103	4	CLAMP, HOSE, #12, .75H, SST

PUMP STATION WATER HEATER MOUNTING SENSORS 09130030



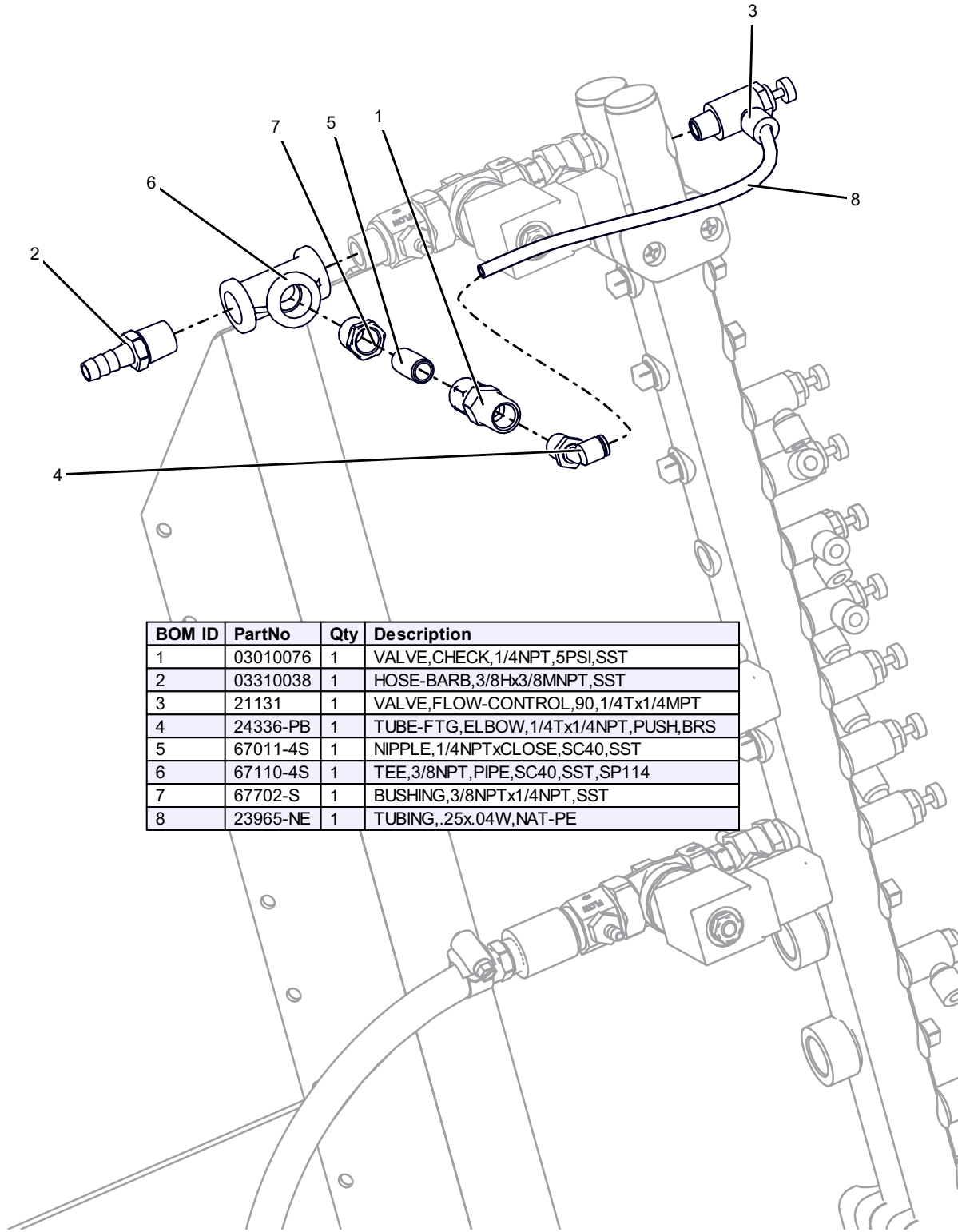
BOM ID	PartNo	Qty	Description
1	04090192	1	ENCLOSURE, WTR-HTR-SNSR,PUMP,AL,LW20
2	04190030	1	HEATER, TANK, 10KW, 208VAC, 3PH, LASERWASH
3	03010166	1	VALVE, PRESSURE-RELIEF, 3/4NPT, 150PSI, BR
4	04040021	1	SWITCH, TEMP, 158F, 1A, 24VAC, .25MPT
5	04420030	1	SENSOR, TEMP, 0-212F, 2-5VDC, .25MPT
6	05030067	8	WASHER, 3/8, FLAT, 7/8-OD, .050THK, SST
7	67120-4S	1	TEE, 3/4NPT, PIPE, SC40, SST, SP114
8	67408-4B	1	ELBOW, 3/4NPT, 90DEG, SC40, BRS
9	67603-B	1	PLUG, 1/4NPT, SQ-HD, BRS
10	68118-MHB	1	HOSE-BARB, 1/2Hx3/4MNPT, BRS
11	70110-HCS	2	SCREW, 1/4-20x1.00, HHCS, SST
12	70182-HCS	4	SCREW, 3/8-16x1.50, HHCS, SST
13	71011-NCS	2	NUT, 1/4-20, HEX, LOCK, SST
14	71013-NCS	4	NUT, 3/8-16, HEX, LOCK, SST
15	71511-FS	4	WASHER, 1/4, FLAT, SST

PUMP STATION RUST INHIBITOR CONTROL VALVE MANIFOLD WEEP 09170151



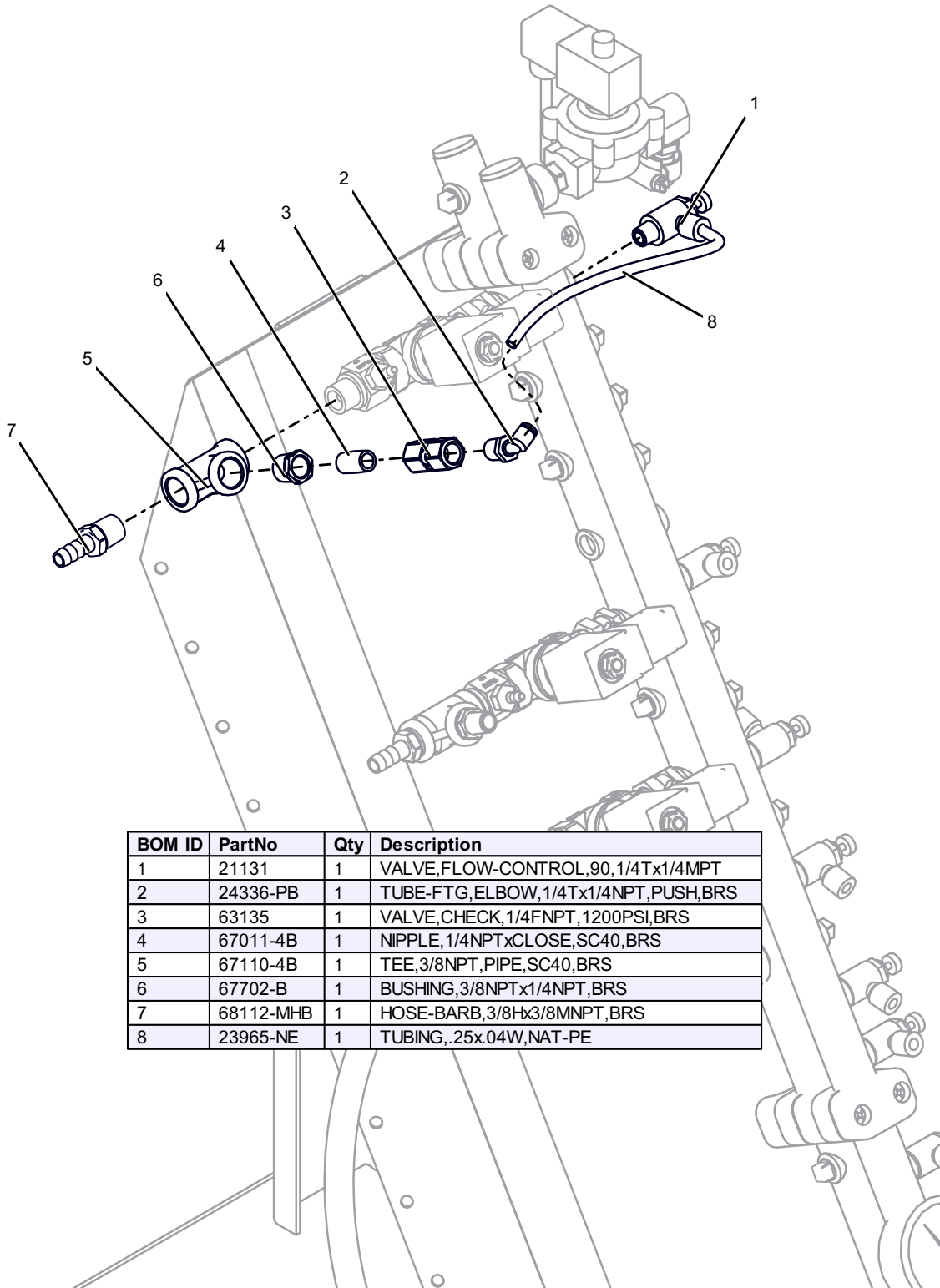
BOM ID	PartNo	Qty	Description
1	21131	2	VALVE,FLOW-CONTROL,90,1/4Tx1/4MPT
2	23965-NE	2	TUBING,.25x.04W,NAT-PE
3	24336-PB	1	TUBE-FTG,ELBOW,1/4Tx1/4NPT,PUSH,BRS
4	63135	1	VALVE,CHECK,1/4FNPT,1200PSI,BRS
5	67011-4B	1	NIPPLE,1/4NPTxCLOSE,SC40,BRS

PUMP STATION PUMP STATION INTERGRATED WHEEL CLEANER WEEP 09170182



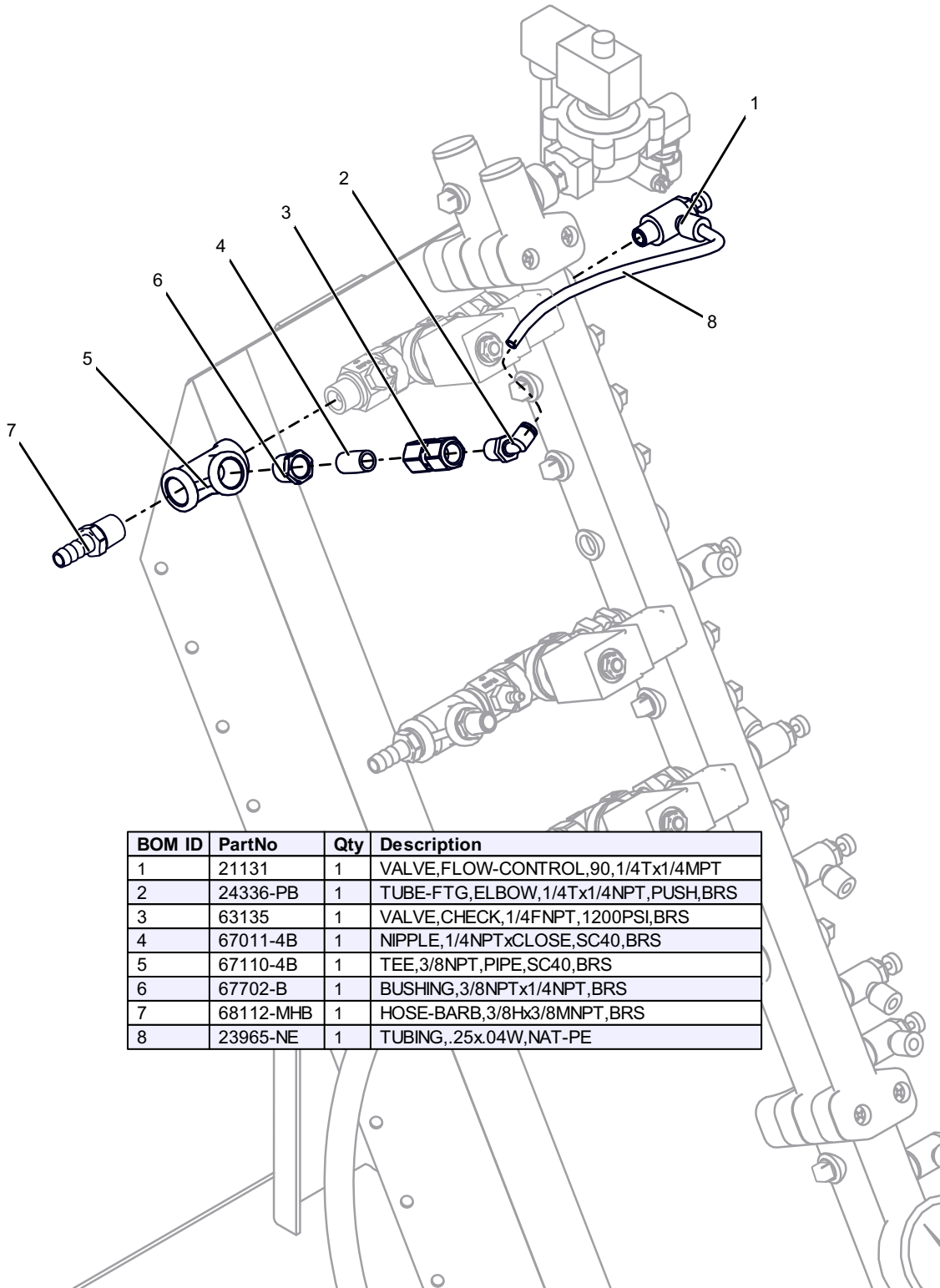
BOM ID	PartNo	Qty	Description
1	03010076	1	VALVE,CHECK,1/4NPT,5PSI,SST
2	03310038	1	HOSE-BARB,3/8Hx3/8MNPT,SST
3	21131	1	VALVE,FLOW-CONTROL,90,1/4Tx1/4MPT
4	24336-PB	1	TUBE-FTG,ELBOW,1/4Tx1/4NPT,PUSH,BRS
5	67011-4S	1	NIPPLE,1/4NPTxCLOSE,SC40,SST
6	67110-4S	1	TEE,3/8NPT,PIPE,SC40,SST,SP114
7	67702-S	1	BUSHING,3/8NPTx1/4NPT,SST
8	23965-NE	1	TUBING,.25x.04W,NAT-PE

PUMP STATION FOAMING WAX WEEP 09170162



BOM ID	PartNo	Qty	Description
1	21131	1	VALVE, FLOW-CONTROL, 90, 1/4Tx1/4MPT
2	24336-PB	1	TUBE-FTG, ELBOW, 1/4Tx1/4NPT, PUSH, BRS
3	63135	1	VALVE, CHECK, 1/4FNPT, 1200PSI, BRS
4	67011-4B	1	NIPPLE, 1/4NPTxCLOSE, SC40, BRS
5	67110-4B	1	TEE, 3/8NPT, PIPE, SC40, BRS
6	67702-B	1	BUSHING, 3/8NPTx1/4NPT, BRS
7	68112-MHB	1	HOSE-BARB, 3/8Hx3/8MNPT, BRS
8	23965-NE	1	TUBING, .25x.04W, NAT-PE

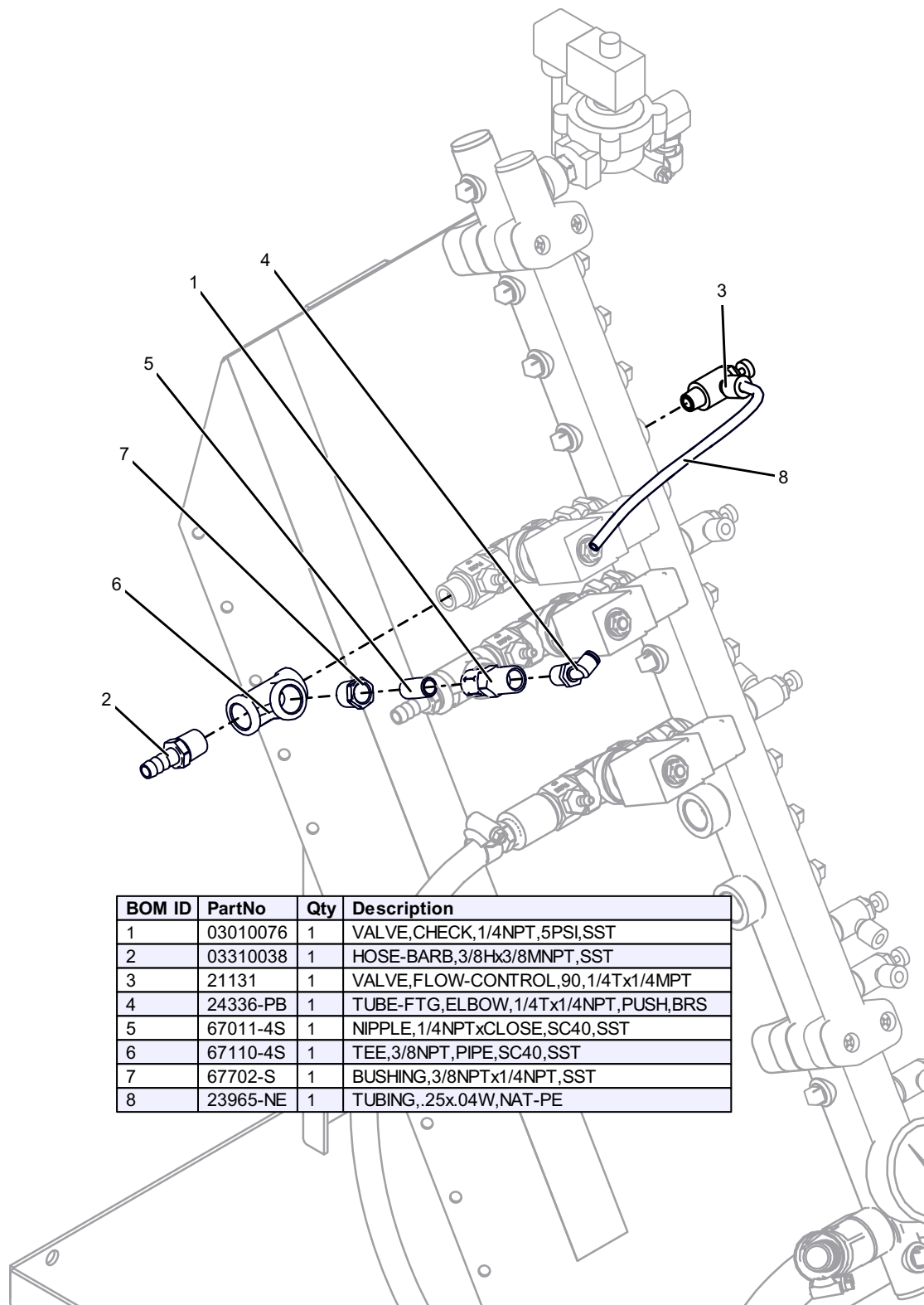
PUMP STATION RUST INHIBITOR WEEP 09170151



BOM ID	PartNo	Qty	Description
1	21131	1	VALVE, FLOW-CONTROL, 90, 1/4Tx1/4MPT
2	24336-PB	1	TUBE-FTG, ELBOW, 1/4Tx1/4NPT, PUSH, BRS
3	63135	1	VALVE, CHECK, 1/4FNPT, 1200PSI, BRS
4	67011-4B	1	NIPPLE, 1/4NPTxCLOSE, SC40, BRS
5	67110-4B	1	TEE, 3/8NPT, PIPE, SC40, BRS
6	67702-B	1	BUSHING, 3/8NPTx1/4NPT, BRS
7	68112-MHB	1	HOSE-BARB, 3/8Hx3/8MNPT, BRS
8	23965-NE	1	TUBING, .25x.04W, NAT-PE

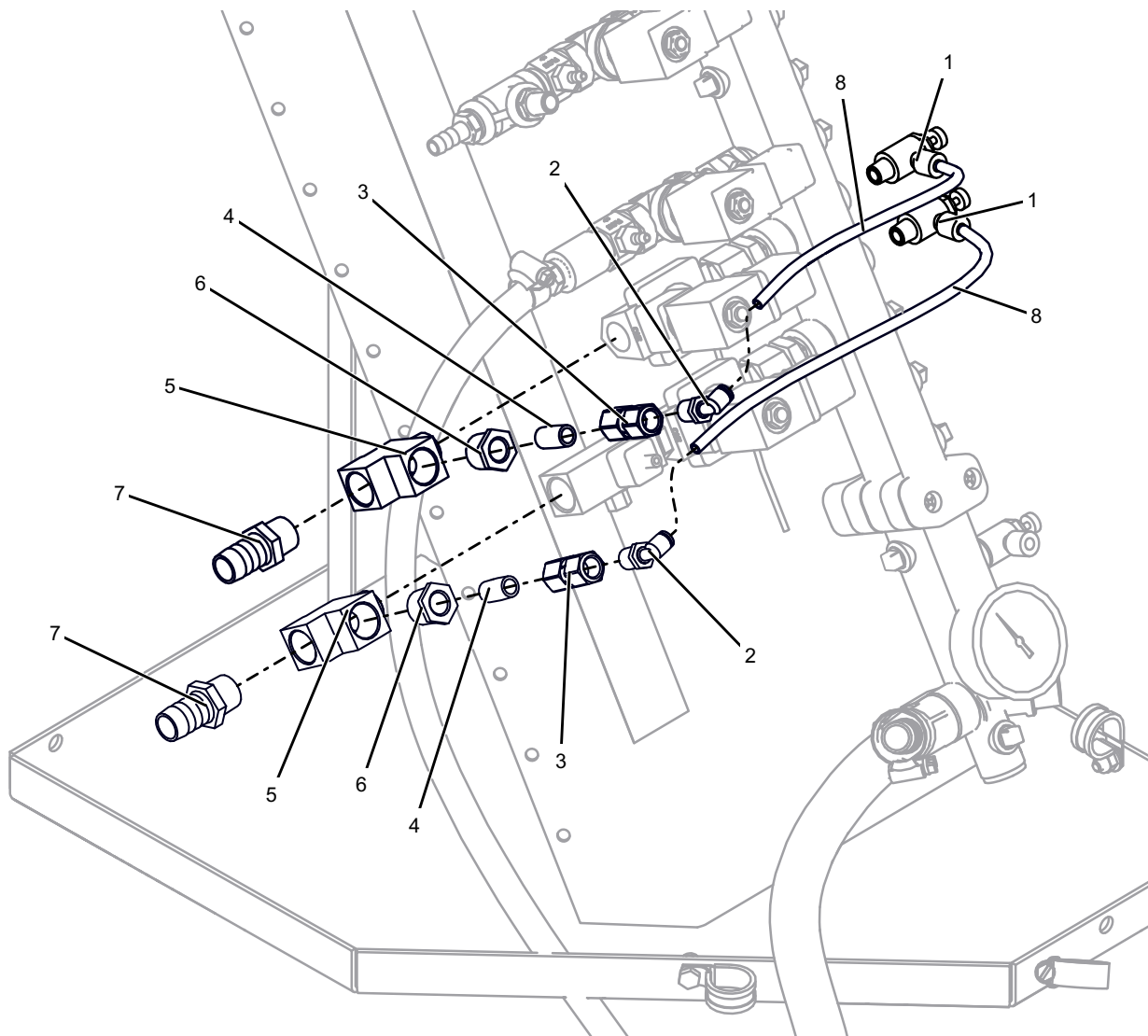
PUMP STATION DETERGENT 2 WEEP MANIFOLD

09170144



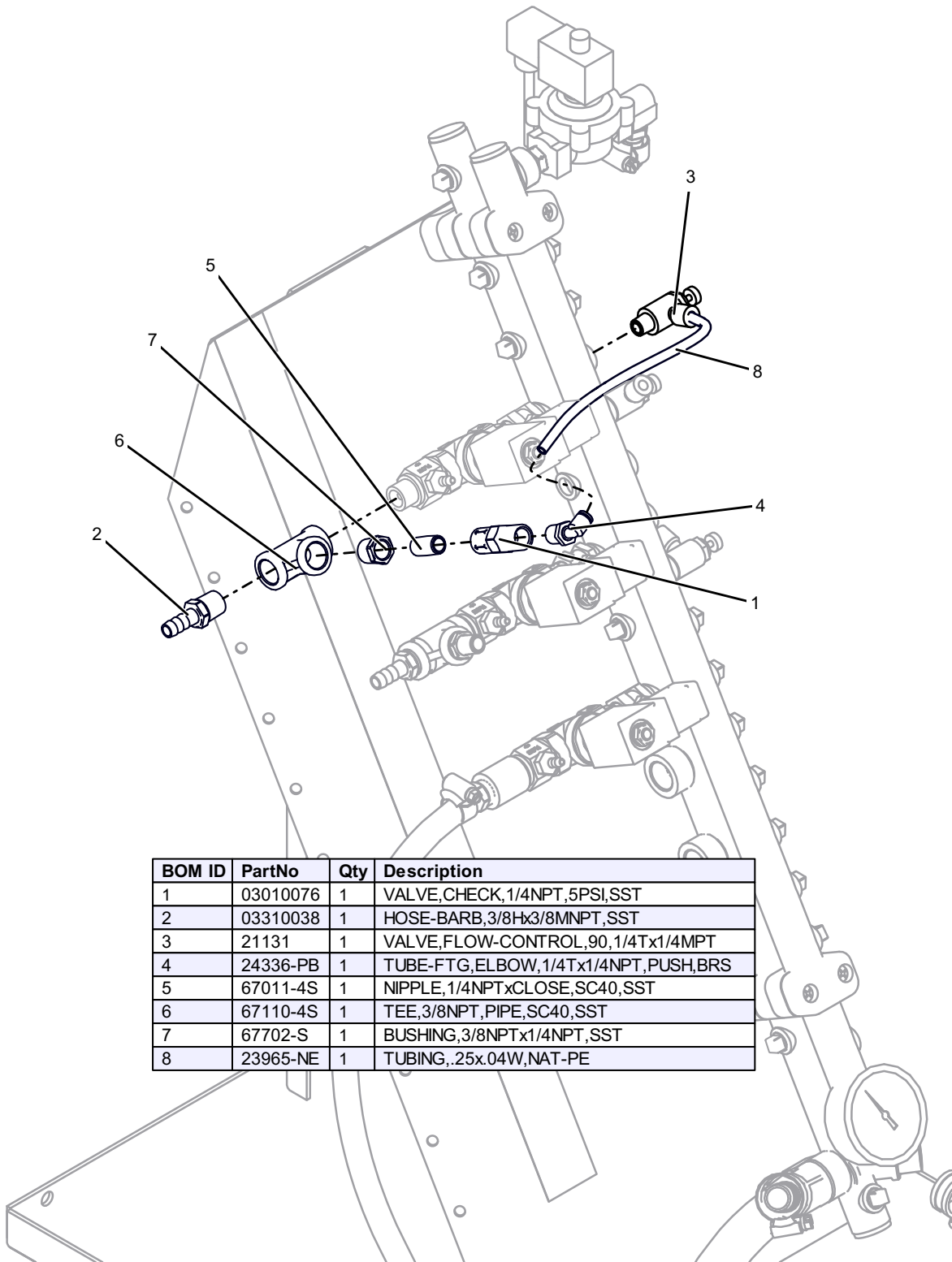
BOM ID	PartNo	Qty	Description
1	03010076	1	VALVE,CHECK,1/4NPT,5PSI,SST
2	03310038	1	HOSE-BARB,3/8HX3/8MNPT,SST
3	21131	1	VALVE,FLOW-CONTROL,90,1/4Tx1/4MPT
4	24336-PB	1	TUBE-FTG,ELBOW,1/4Tx1/4NPT,PUSH,BRS
5	67011-4S	1	NIPPLE,1/4NPTxCLOSE,SC40,SST
6	67110-4S	1	TEE,3/8NPT,PIPE,SC40,SST
7	67702-S	1	BUSHING,3/8NPTx1/4NPT,SST
8	23965-NE	1	TUBING,.25x.04W,NAT-PE

PUMP STATION OVERGLOW WEEP 09170153



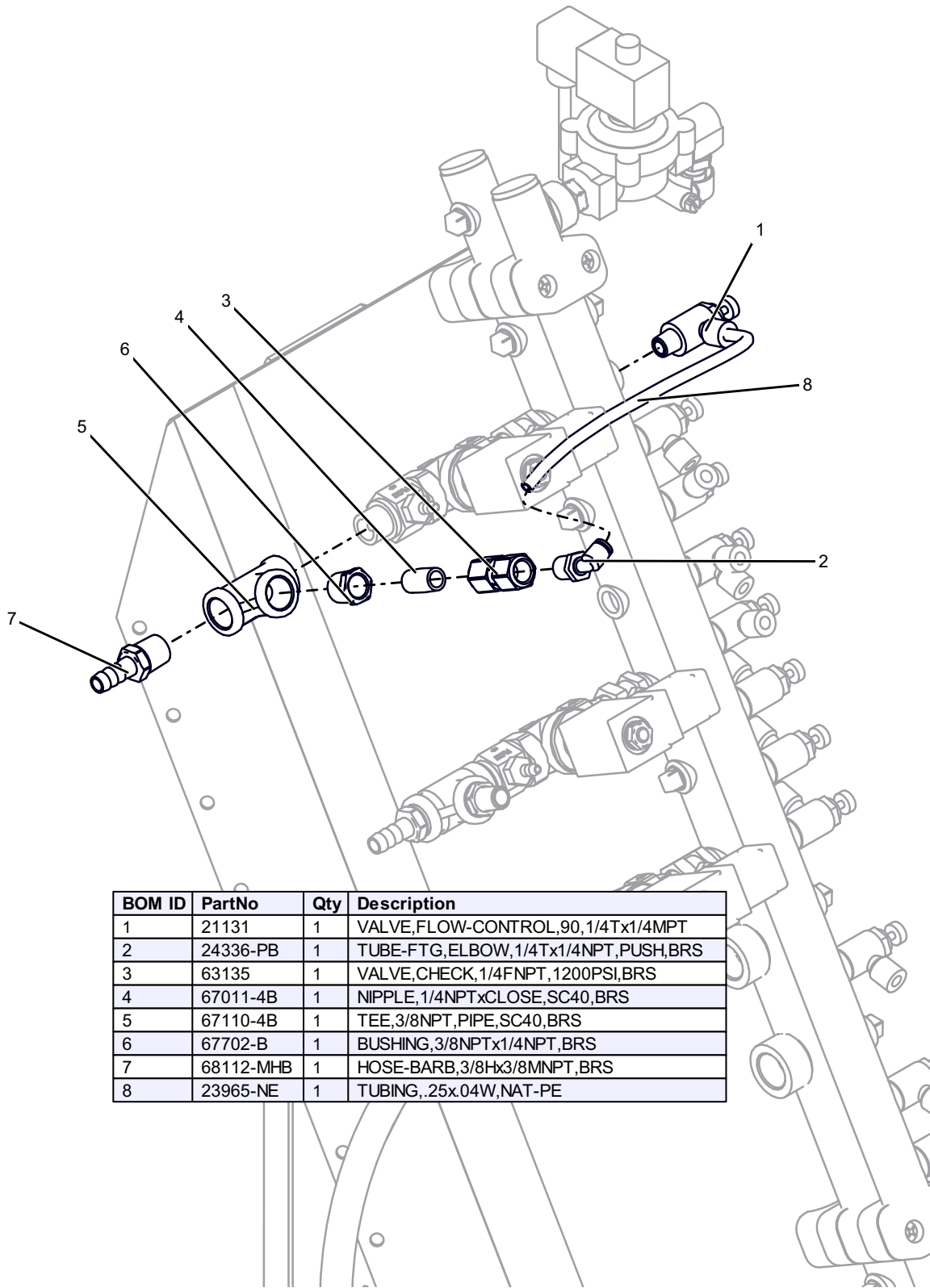
BOM ID	PartNo	Qty	Description
1	21131	2	VALVE, FLOW-CONTROL, 90, 1/4T x 1/4MPT
2	24336-PB	2	TUBE-FTG, ELBOW, 1/4T x 1/4NPT, PUSH, BRS
3	63135	2	VALVE, CHECK, 1/4FNPT, 1200PSI, BRS
4	67011-4B	2	NIPPLE, 1/4NPT x CLOSE, SC40, BRS
5	67200-4B	2	TEE, 1/2NPT, MALE-RUN, SC40, BRS
6	67704-B	2	BUSHING, 1/2NPT x 1/4NPT, BRS
7	68122-MHB	2	HOSE-BARB, 3/4H x 1/2MNPT, BRS
8	23965-NE	2	TUBING, .25x.04W, NAT-PE

PUMP STATION FRONT PREP WEEP 09170150



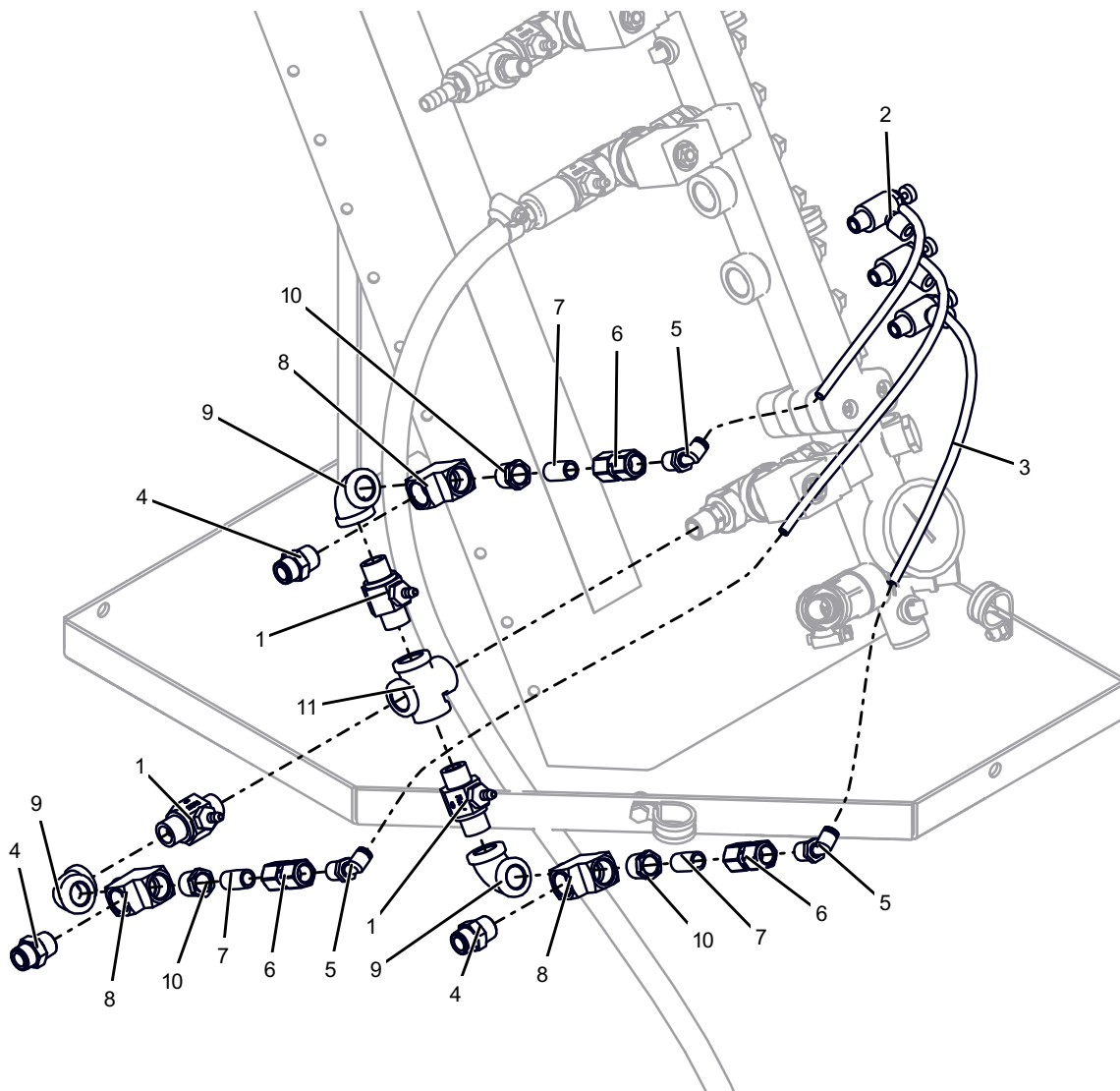
BOM ID	PartNo	Qty	Description
1	03010076	1	VALVE,CHECK,1/4NPT,5PSI,SST
2	03310038	1	HOSE-BARB,3/8Hx3/8MNPT,SST
3	21131	1	VALVE,FLOW-CONTROL,90,1/4Tx1/4MPPT
4	24336-PB	1	TUBE-FTG,ELBOW,1/4Tx1/4NPT,PUSH,BRS
5	67011-4S	1	NIPPLE,1/4NPTxCLOSE,SC40,SST
6	67110-4S	1	TEE,3/8NPT,PIPE,SC40,SST
7	67702-S	1	BUSHING,3/8NPTx1/4NPT,SST
8	23965-NE	1	TUBING,.25x.04W,NAT-PE

PUMP STATION SUPER SEALANT WEEP 09170148



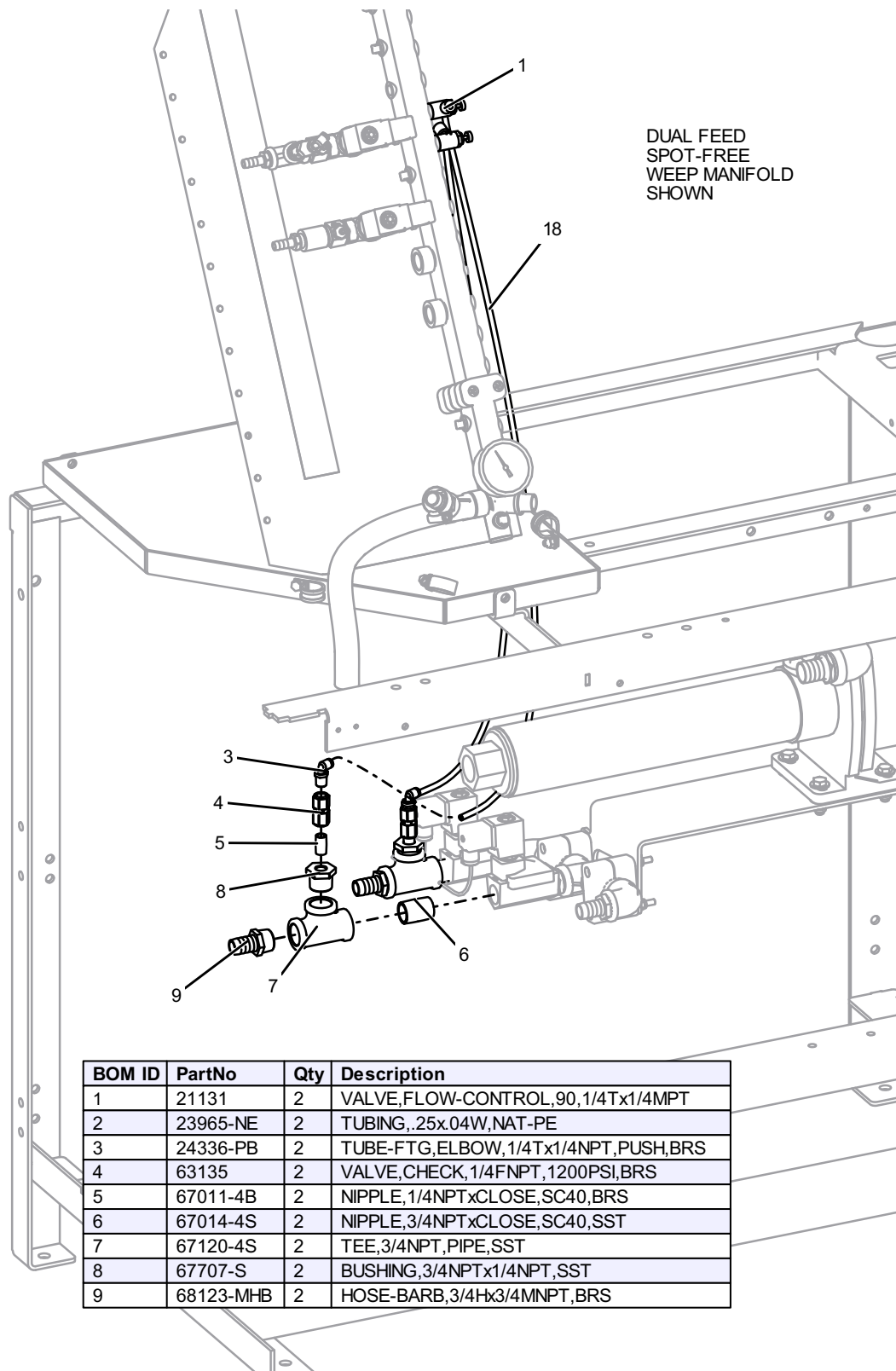
BOM ID	PartNo	Qty	Description
1	21131	1	VALVE, FLOW-CONTROL, 90, 1/4T x 1/4MPT
2	24336-PB	1	TUBE-FTG, ELBOW, 1/4T x 1/4NPT, PUSH, BRS
3	63135	1	VALVE, CHECK, 1/4FNPT, 1200PSI, BRS
4	67011-4B	1	NIPPLE, 1/4NPT x CLOSE, SC40, BRS
5	67110-4B	1	TEE, 3/8NPT, PIPE, SC40, BRS
6	67702-B	1	BUSHING, 3/8NPT x 1/4NPT, BRS
7	68112-MHB	1	HOSE-BARB, 3/8H x 3/8MNPT, BRS
8	23965-NE	1	TUBING, .25x.04W, NAT-PE

PUMP STATION 3X FOAM WEEP 09170146

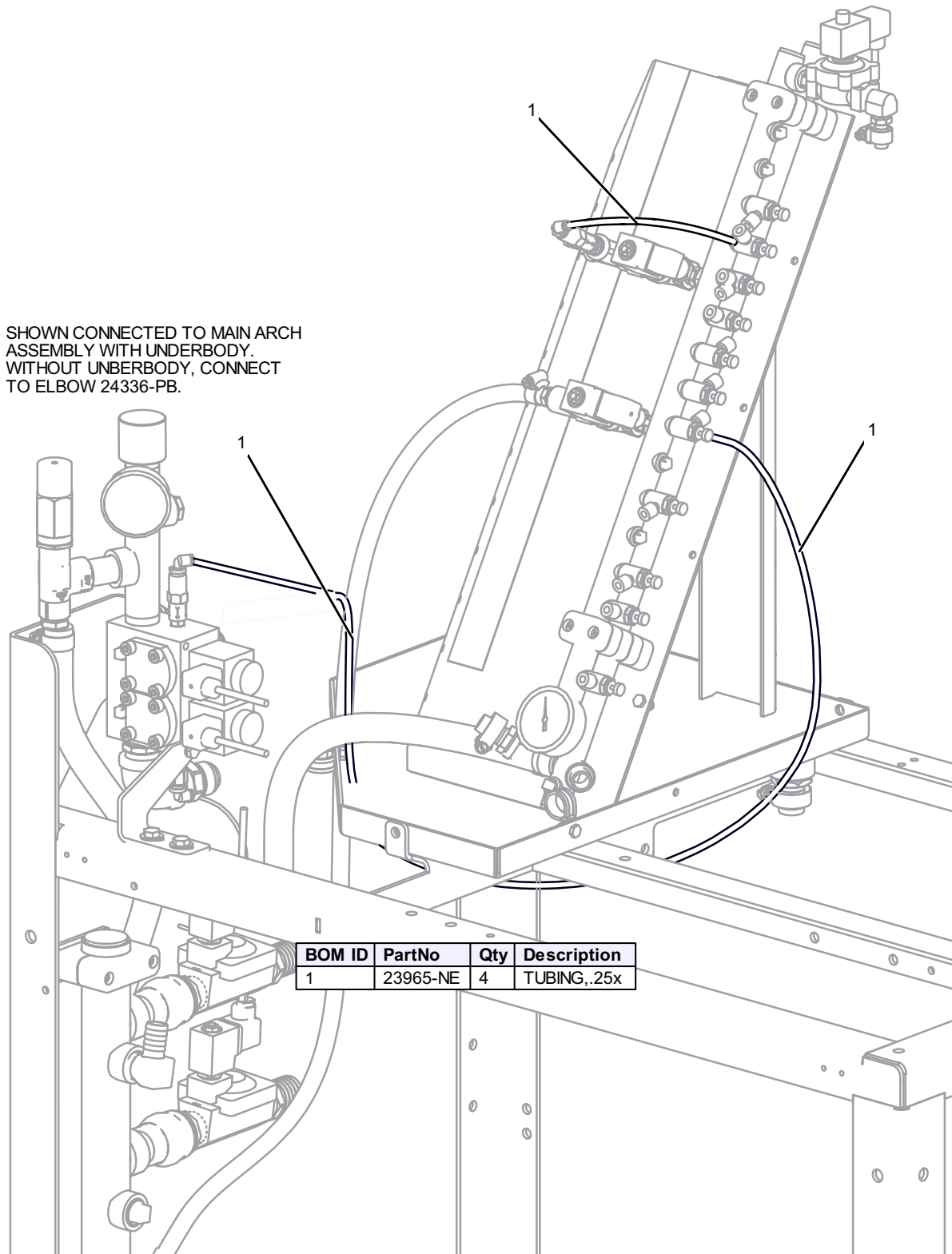


BOM ID	PartNo	Qty	Description
1	03150034	3	INJECTOR.057,3/8MNPT,316SST/KYNAR,GP
2	21131	3	VALVE,FLOW-CONTROL,90,1/4Tx1/4MPT
3	23965-NE	3	TUBING,.25x.04W,NAT-PE
4	24038-PB	3	TUBE-FTG,CONN,3/8Tx3/8NPT,PUSH,BRS
5	24336-PB	3	TUBE-FTG,ELBOW,1/4Tx1/4NPT,PUSH,BRS
6	63135	3	VALVE,CHECK,1/4FNPT,1200PSI,BRS
7	67011-4B	3	NIPPLE,1/4NPTxCLOSE,SC40,BRS
8	67195-4B	3	TEE,3/8NPT,MALE-RUN,SC40,BRS
9	67404-4B	3	ELBOW,3/8NPT,90DEG,SC40,BRS
10	67702-B	3	BUSHING,3/8NPTx1/4NPT,BRS
11	68410-4B	1	CROSS,3/8NPT,SC40,BRS

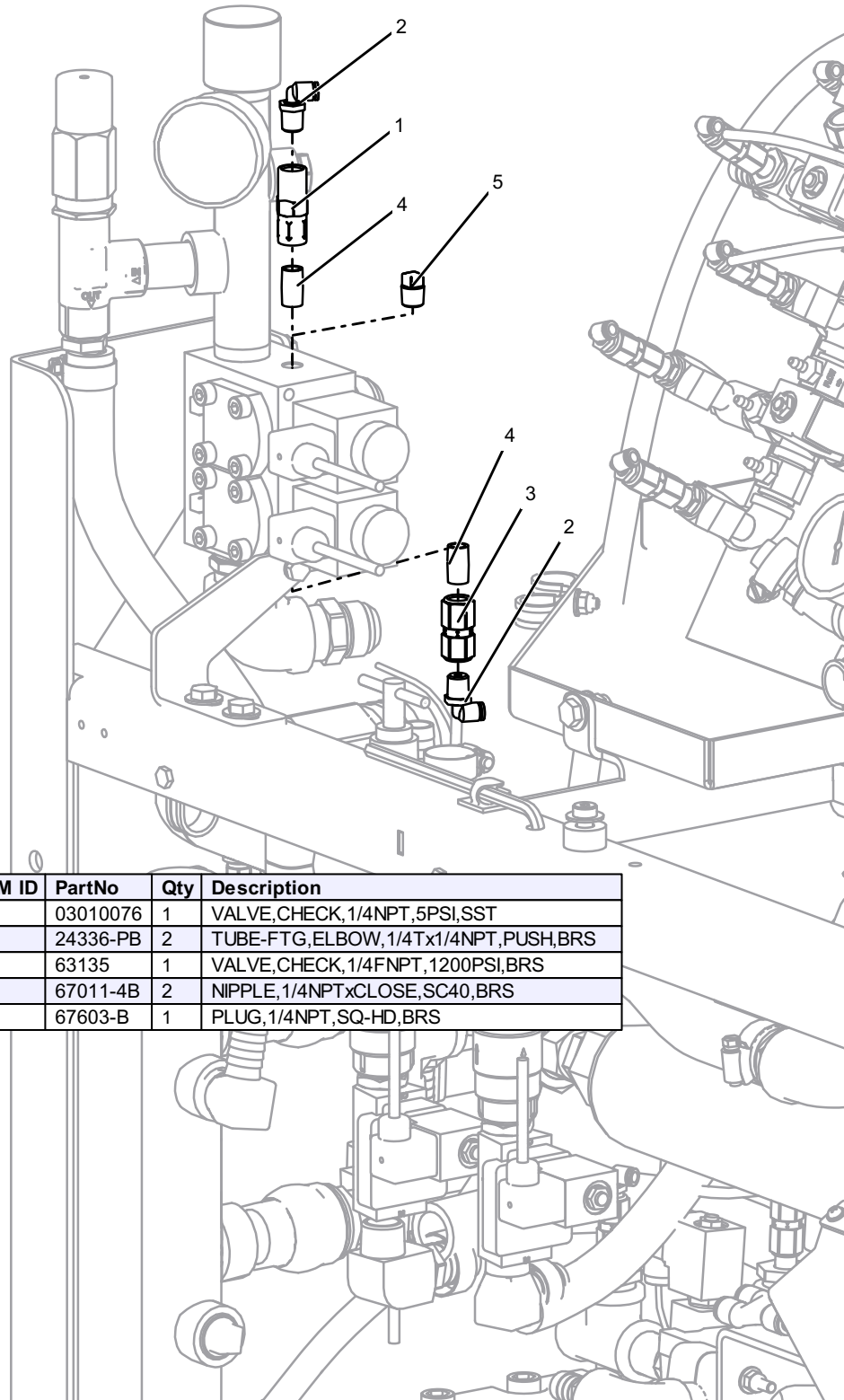
PUMP STATION DUAL FEED SPOT FREE WEEP MANIFOLD 09170156



PUMP STATION BASE WEEP TUBING 09070194

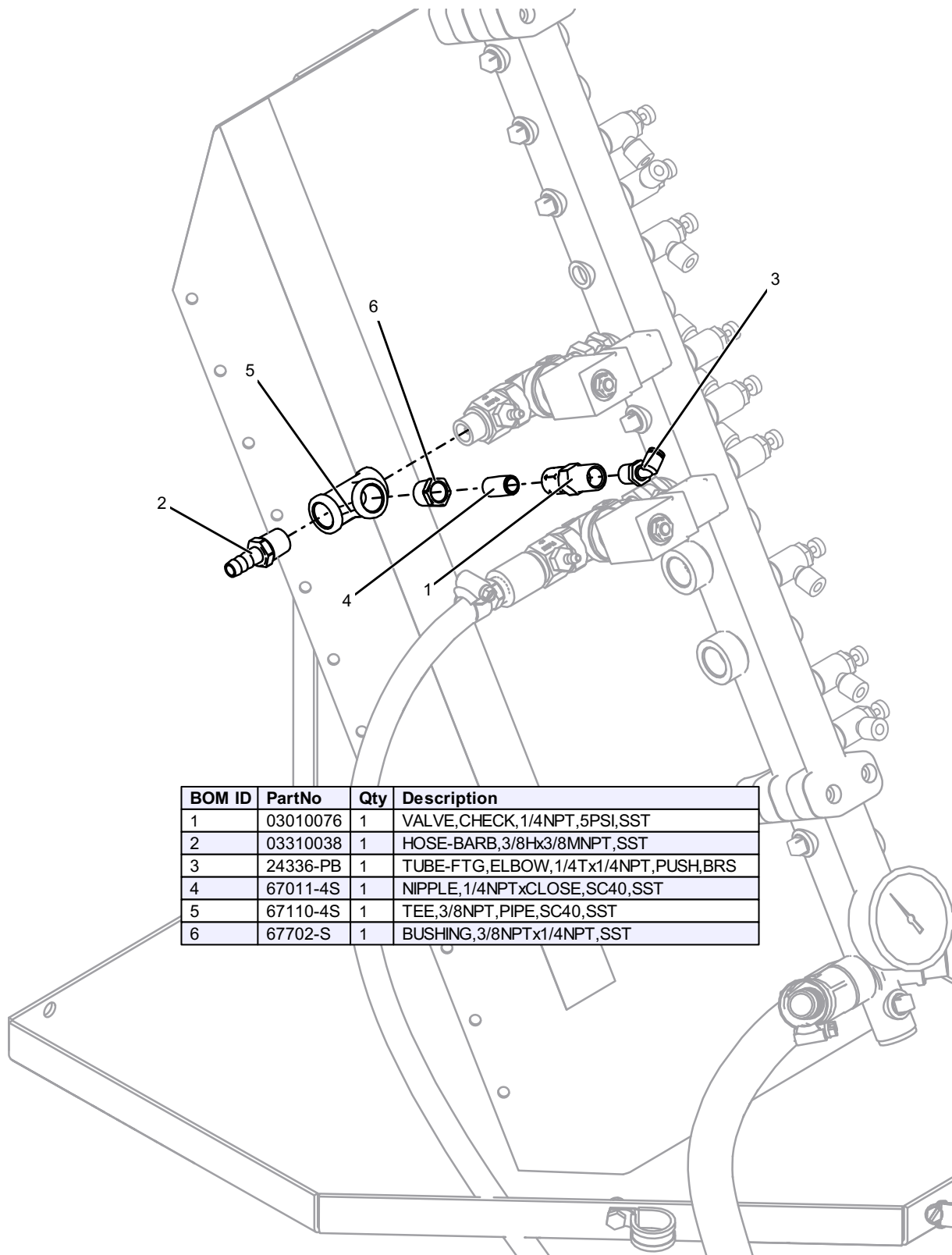


PUMP STATION WEEP TO MAIN ARCH WITH UNDERBODY 09170200



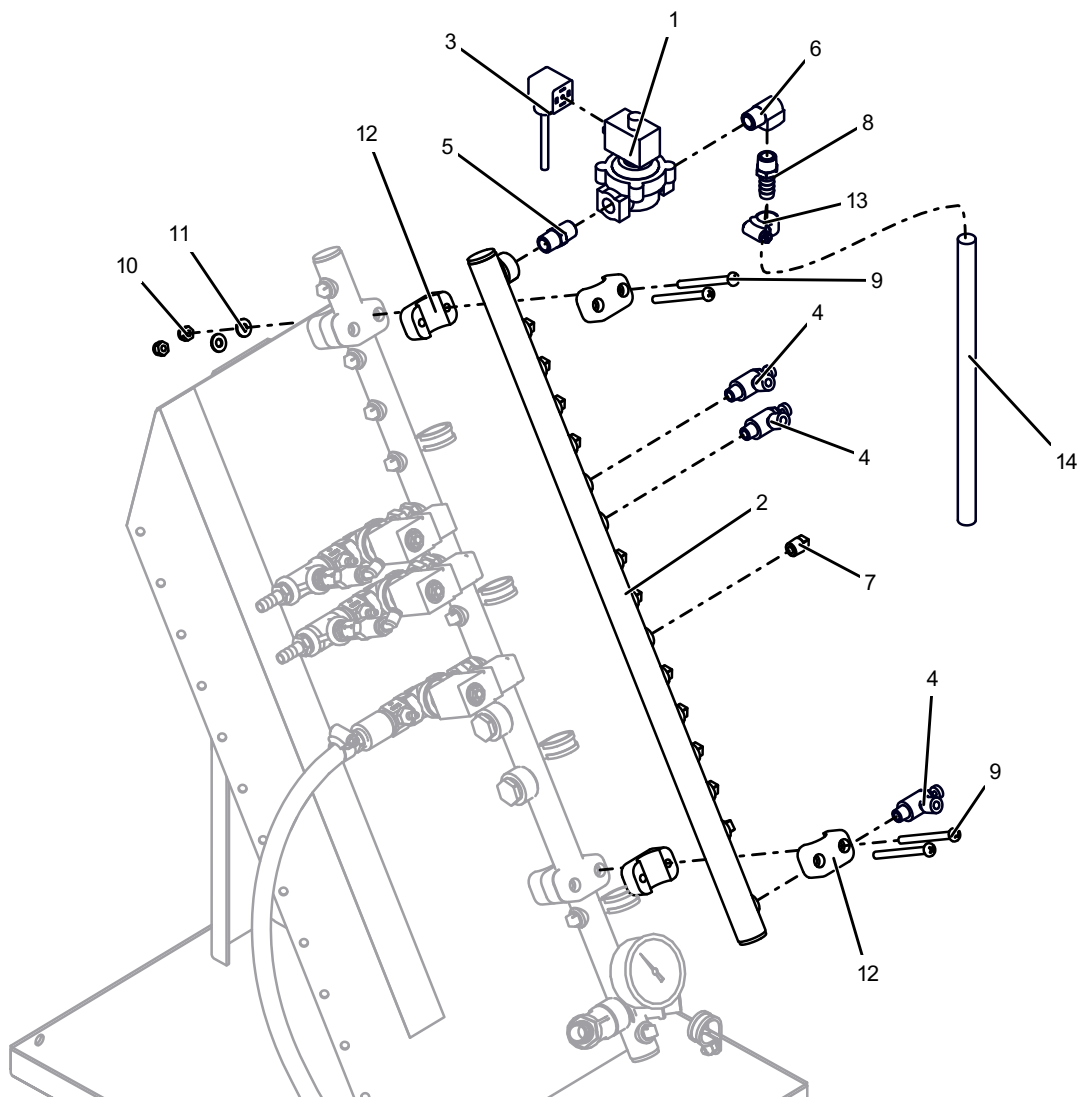
BOM ID	PartNo	Qty	Description
1	03010076	1	VALVE,CHECK,1/4NPT,5PSI,SST
2	24336-PB	2	TUBE-FTG,ELBOW,1/4Tx1/4NPT,PUSH,BRS
3	63135	1	VALVE,CHECK,1/4FNPT,1200PSI,BRS
4	67011-4B	2	NIPPLE,1/4NPTxCLOSE,SC40,BRS
5	67603-B	1	PLUG,1/4NPT,SQ-HD,BRS

PUMP STATION BASE DETERGENT WEEP ASSEMBLY 09170200



BOM ID	PartNo	Qty	Description
1	03010076	1	VALVE,CHECK,1/4NPT,5PSI,SST
2	03310038	1	HOSE-BARB,3/8Hx3/8MNPT,SST
3	24336-PB	1	TUBE-FTG,ELBOW,1/4Tx1/4NPT,PUSH,BRS
4	67011-4S	1	NIPPLE,1/4NPTxCLOSE,SC40,SST
5	67110-4S	1	TEE,3/8NPT,PIPE,SC40,SST
6	67702-S	1	BUSHING,3/8NPTx1/4NPT,SST

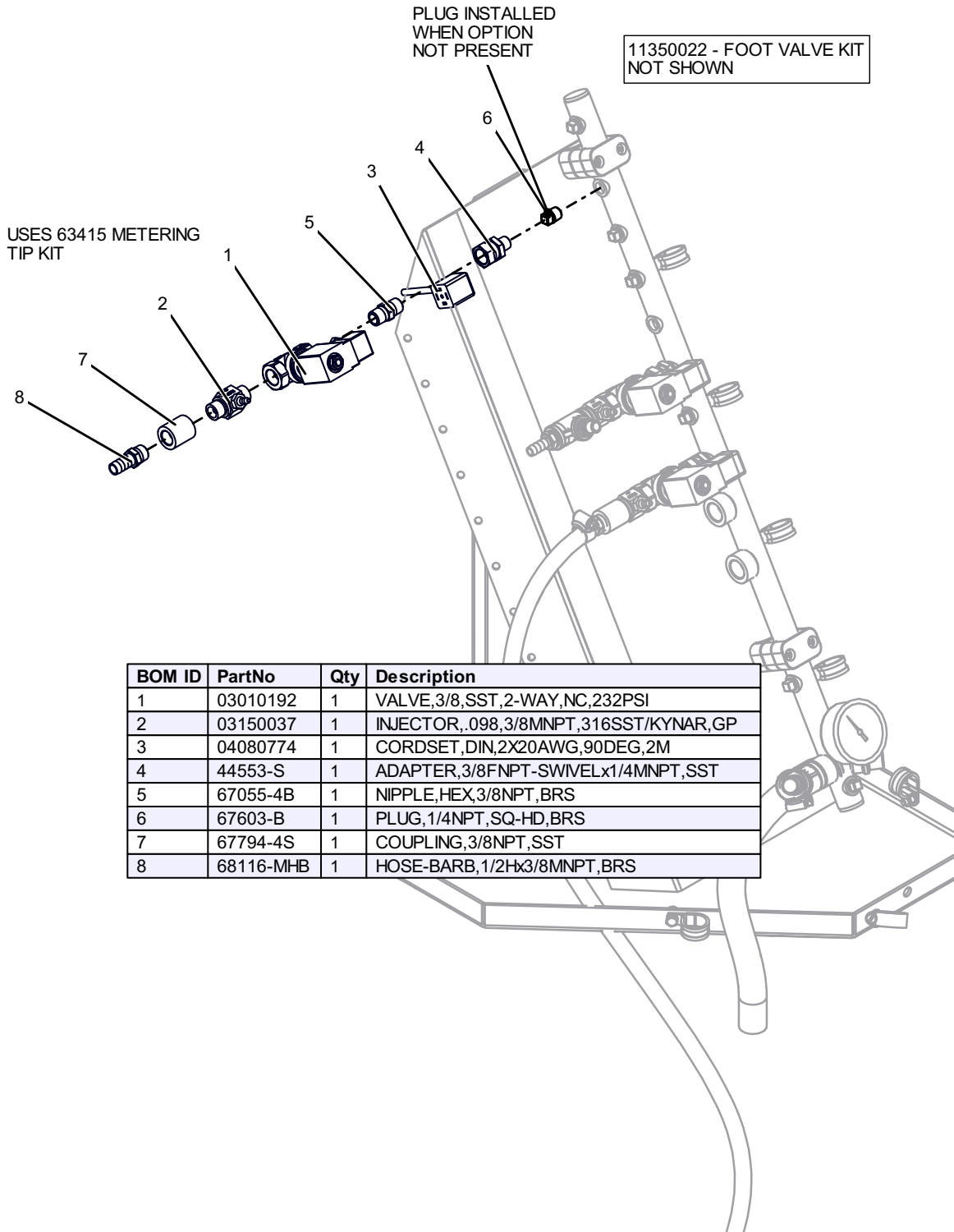
PUMP STATION BASE WEEP MANIFOLD 09170200



BOM ID	PartNo	Qty	Description
1	03010216	1	VALVE,3/8,BRASS,150PSI,NO,DIN,24VAC
2	03220314	1	MANIFOLD,WEEP,SST,LW360PLUS
3	04080774	1	CORDSET,DIN,2X20AWG,90DEG,2M
4	21131	3	VALVE,FLOW-CONTROL,90,1/4Tx1/4MPT
5	67055-4B	1	NIPPLE,HEX,3/8NPT,BRS
6	67489-4B	1	ELBOW,STREET,3/8NPT,90DEG,SC40,BRS
7	67603-B	12	PLUG,1/4NPT,SQ-HD,BRS
8	68116-MHB	1	HOSE-BARB,1/2Hx3/8MNPT,BRS
9	70118-SCS	4	SCREW,1/4-20x3.00,PRHMS,SST
10	71011-NCS	4	NUT,1/4-20,HEX,LOCK,SST
11	71511-FS	4	WASHER,1/4,FLAT,SST
12	75016	2	CLAMP,TUBE,1",PP,STANDARD
13	75101	1	CLAMP,HOSE,#6,.38-.50H,SST
14	61025	1	HOSE,.50,200PSI,BLACK,SYN-RBR,SYN-YRN

PUMP STATION RUST INHIBITOR MANIFOLD

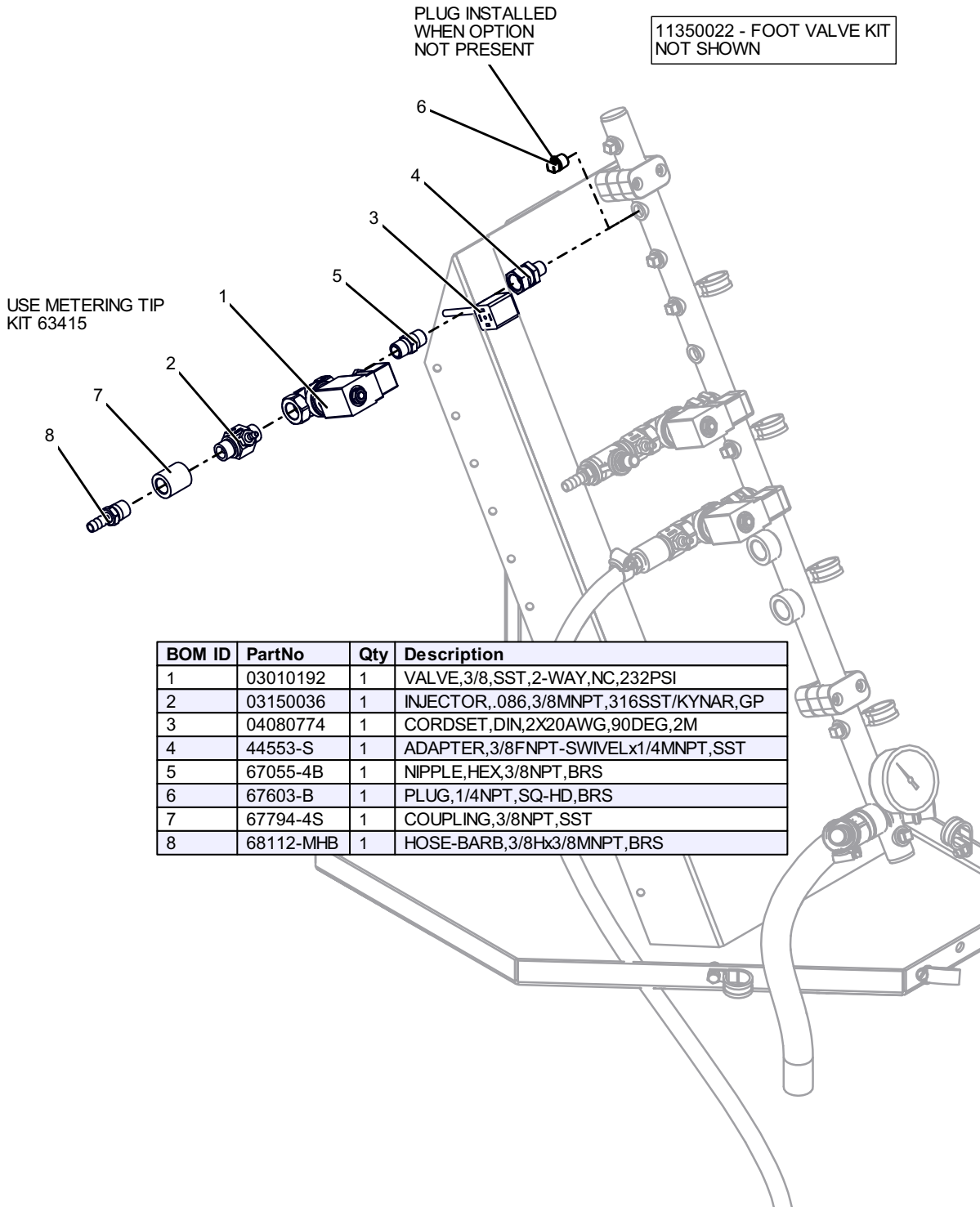
11250427



BOM ID	PartNo	Qty	Description
1	03010192	1	VALVE,3/8,SST,2-WAY,NC,232PSI
2	03150037	1	INJECTOR,.098,3/8MNPT,316SST/KYNAR,GP
3	04080774	1	CORDSET,DIN,2X20AWG,90DEG,2M
4	44553-S	1	ADAPTER,3/8FNPT-SWIVELx1/4MNPT,SST
5	67055-4B	1	NIPPLE,HEX,3/8NPT,BRS
6	67603-B	1	PLUG,1/4NPT,SQ-HD,BRS
7	67794-4S	1	COUPLING,3/8NPT,SST
8	68116-MHB	1	HOSE-BARB,1/2Hx3/8MNPT,BRS

PUMP STATION FOAMING WAX MANIFOLD

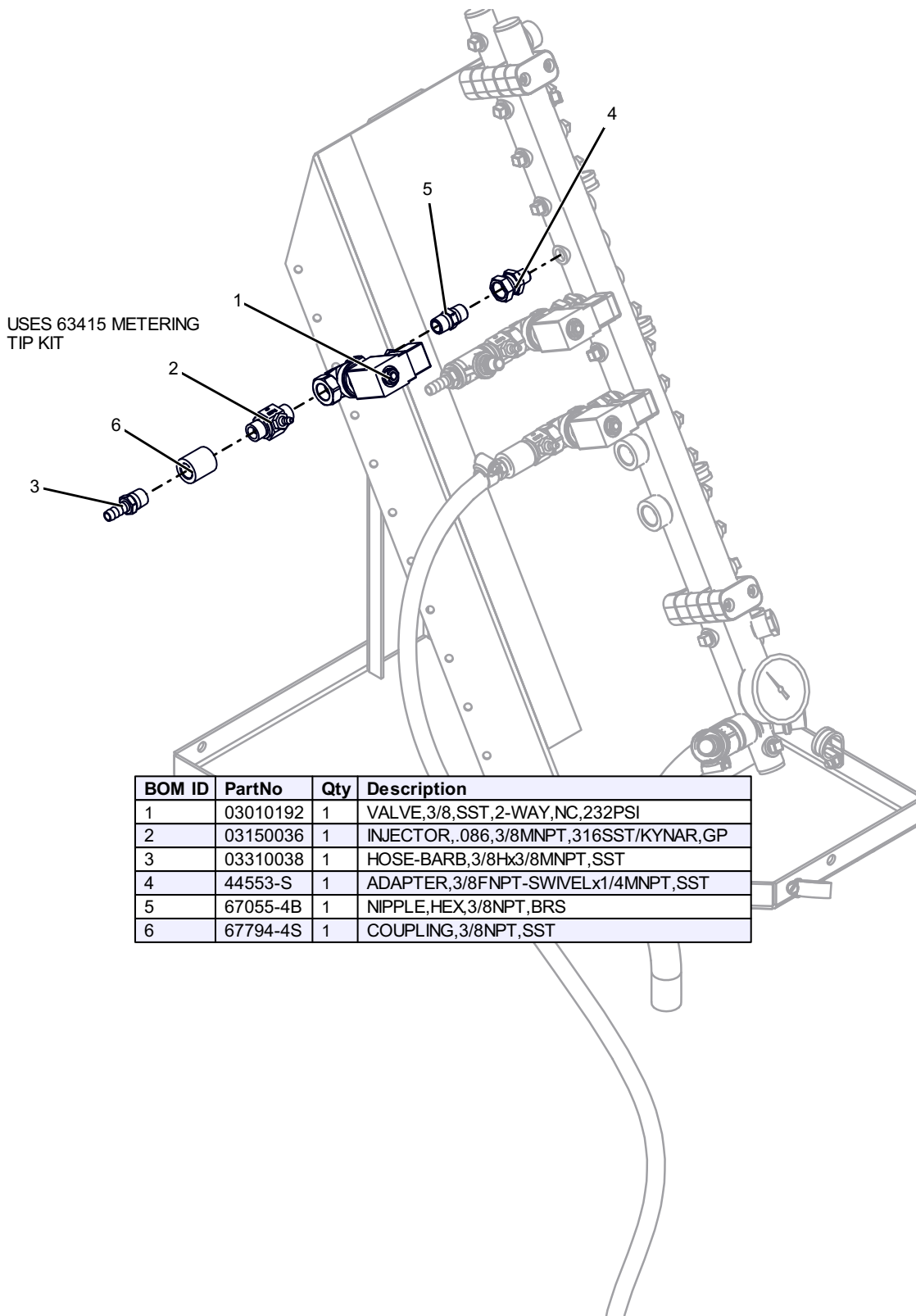
11250428



BOM ID	PartNo	Qty	Description
1	03010192	1	VALVE,3/8,SST,2-WAY,NC,232PSI
2	03150036	1	INJECTOR,.086,3/8MNPT,316SST/KYNAR,GP
3	04080774	1	CORDSET,DIN,2X20AWG,90DEG,2M
4	44553-S	1	ADAPTER,3/8FNPT-SWIVELx1/4MNPT,SST
5	67055-4B	1	NIPPLE,HEX,3/8NPT,BRS
6	67603-B	1	PLUG,1/4NPT,SQ-HD,BRS
7	67794-4S	1	COUPLING,3/8NPT,SST
8	68112-MHB	1	HOSE-BARB,3/8Hx3/8MNPT,BRS

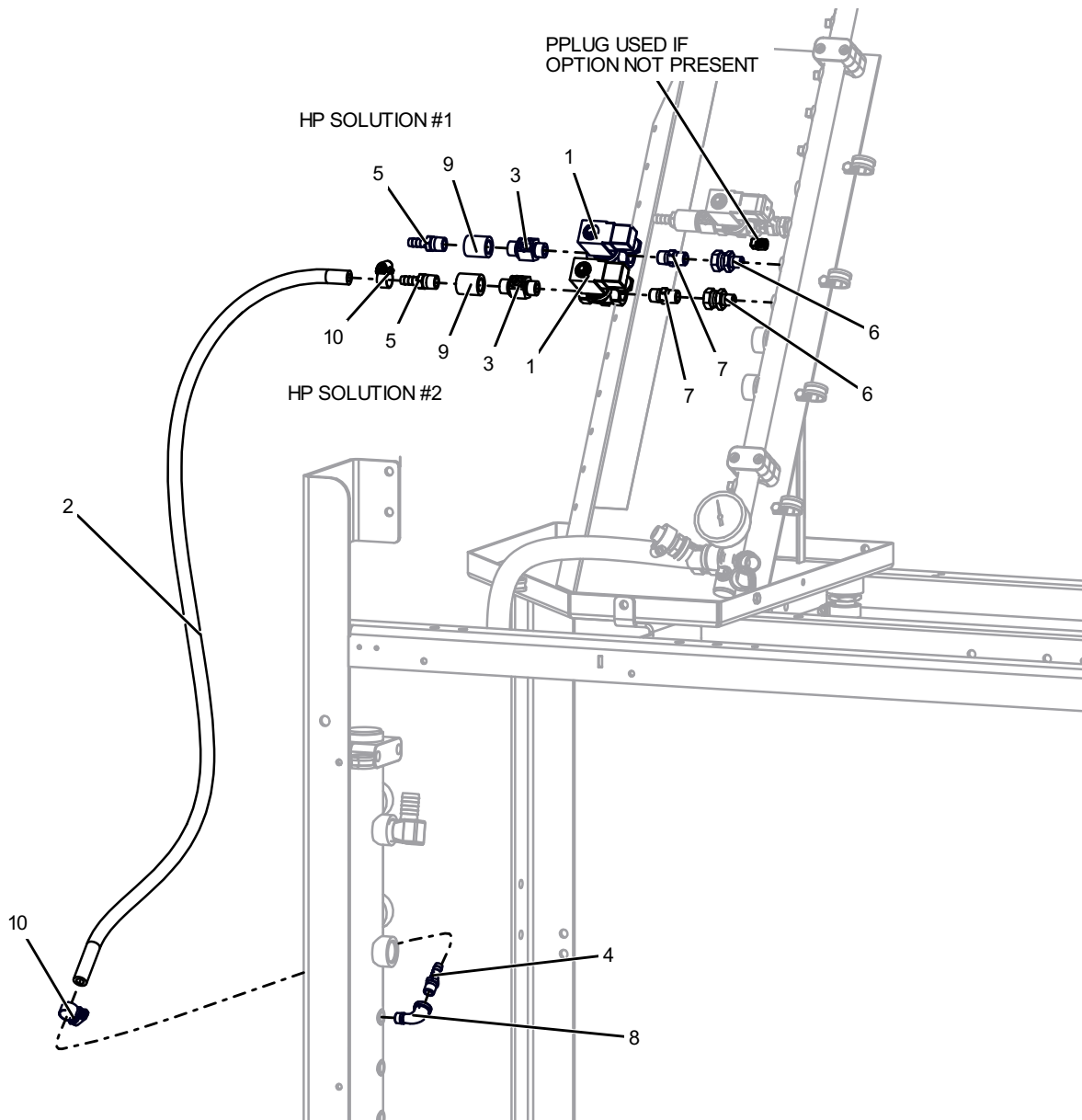
PUMP STATION 2ND DETERGENT MANIFOLD

11250388



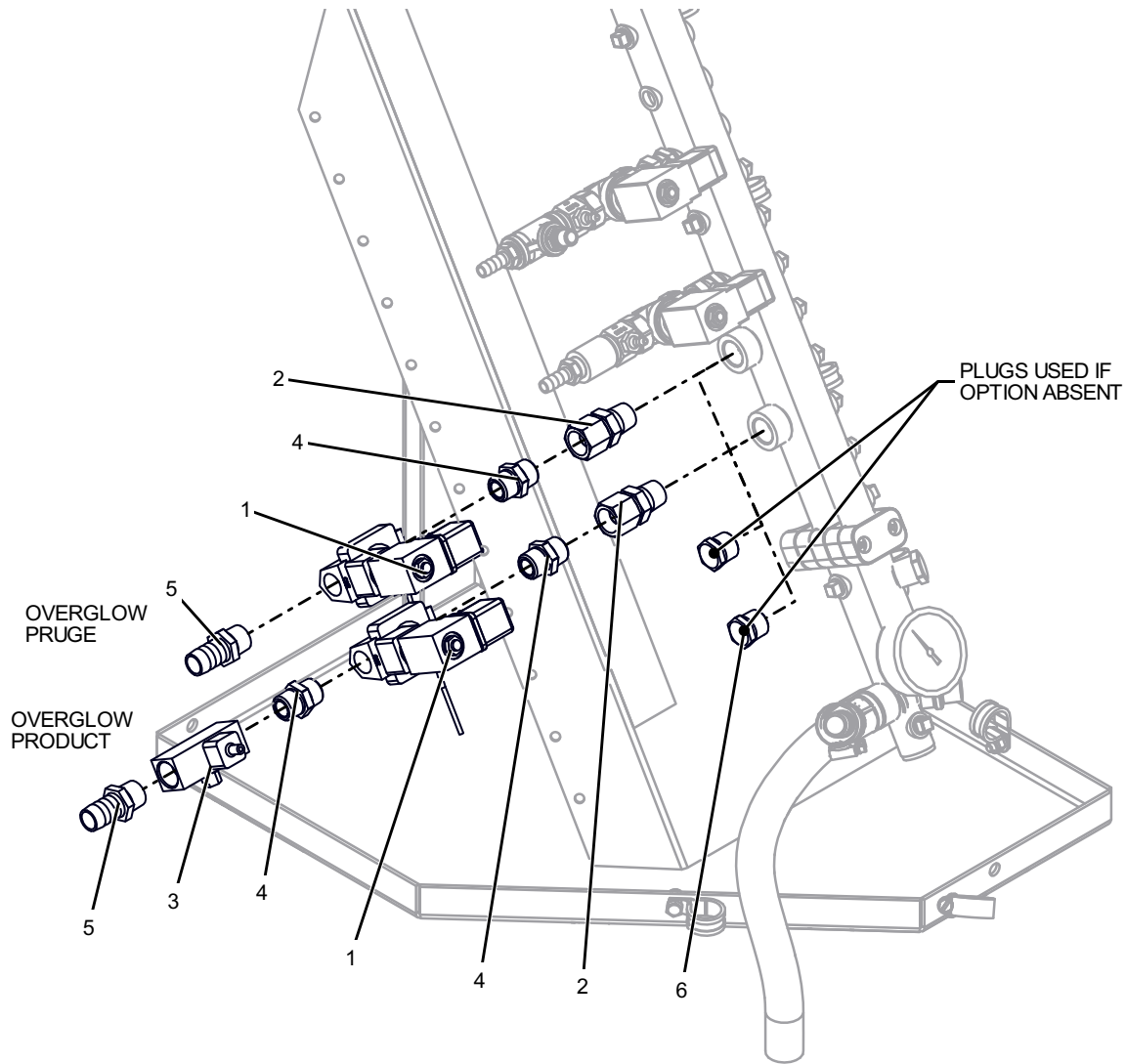
BOM ID	PartNo	Qty	Description
1	03010192	1	VALVE,3/8,SST,2-WAY,NC,232PSI
2	03150036	1	INJECTOR,.086,3/8MNPT,316SST/KYNAR,GP
3	03310038	1	HOSE-BARB,3/8Hx3/8MNPT,SST
4	44553-S	1	ADAPTER,3/8FNPT-SWIVELx1/4MNPT,SST
5	67055-4B	1	NIPPLE,HEX,3/8NPT,BRS
6	67794-4S	1	COUPLING,3/8NPT,SST

PUMP STATION HP SOLUTION 1 AND 2 09170154



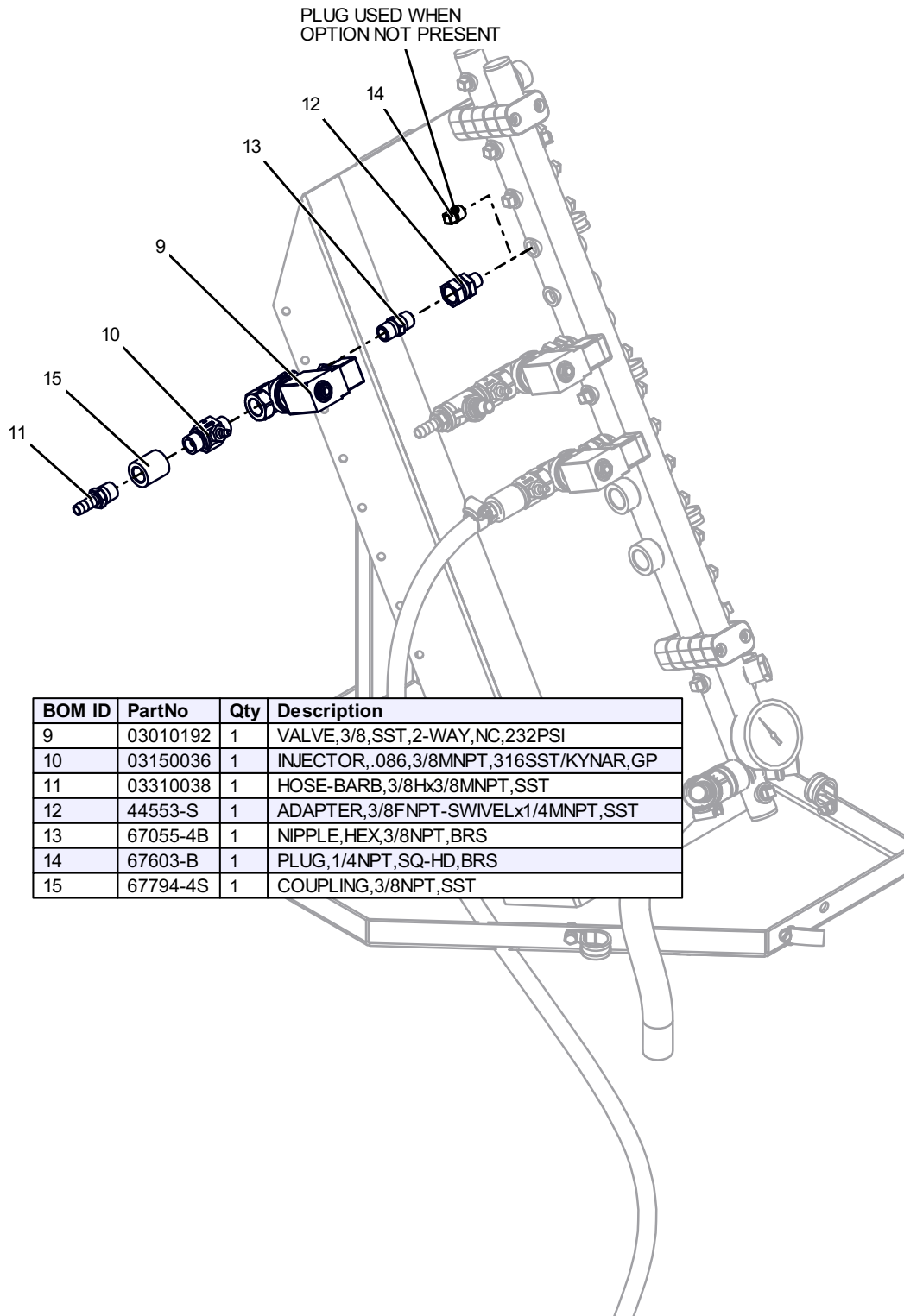
BOM ID	PartNo	Qty	Description
1	03010192	2	VALVE,3/8,SST,2-WAY,NC,232PSI
2	01130010	1	HOSE, .375,200PSI,BLACK,SYN-RBR,SYN-YRN
3	03150036	2	INJECTOR,.086,3/8MNPT,316SST/KYNAR,GP
4	03310007	1	HOSE-BARB,3/8Hx1/4MNPT,316SST
5	03310038	2	HOSE-BARB,3/8Hx3/8MNPT,SST
6	44553-S	2	ADAPTER,3/8FNPT-SWIVELx1/4MNPT,SST
7	67055-4B	2	NIPPLE,HEX,3/8NPT,BRS
8	67487-4S	1	ELBOW,STREET,1/4NPT,90DEG,SC40,SST
9	67794-4S	2	COUPLING,3/8NPT,SST
10	75101	2	CLAMP,HOSE,#6,.38-.50H,SST

PUMP STATION OVERGLOW MANIFOLD 11250421



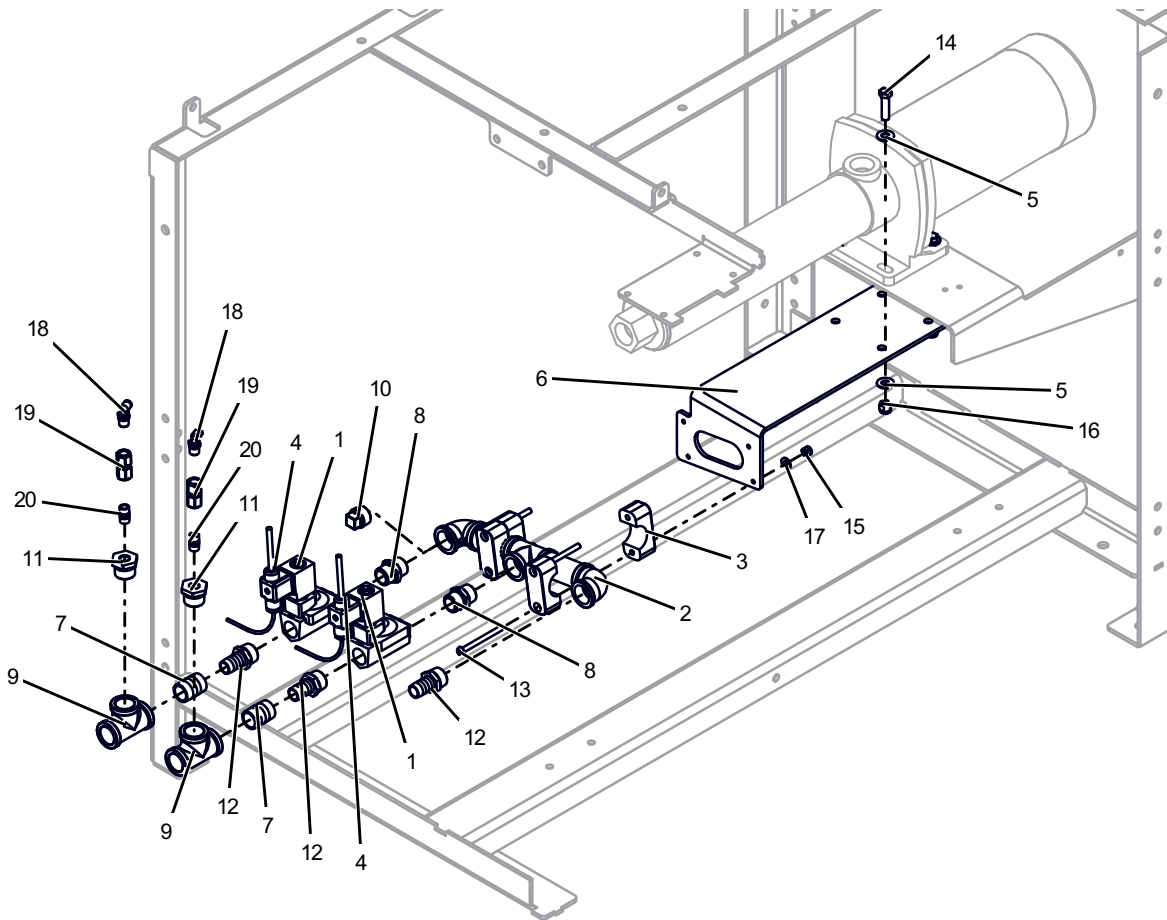
BOM ID	PartNo	Qty	Description
1	03010177	2	VALVE, 1/2", BRASS, 2-WAY, NC, 232PSI
2	03140062	2	ADAPTER, 1/2MNPTx1/2FNPT-SWIVEL, SST
3	03150019	1	INJECTOR, .135-.245, 1/2FPT, ADJ, BRS
4	67058-4B	3	NIPPLE, HEX, 1/2NPT, BR
5	68122-MHB	2	HOSE-BARB, 3/4Hx1/2MNPT, BRS
6	67653-B	2	PLUG, 1/2NPT, HEX-HD, BRS

PUMP STATION FRONT PREP 11250420



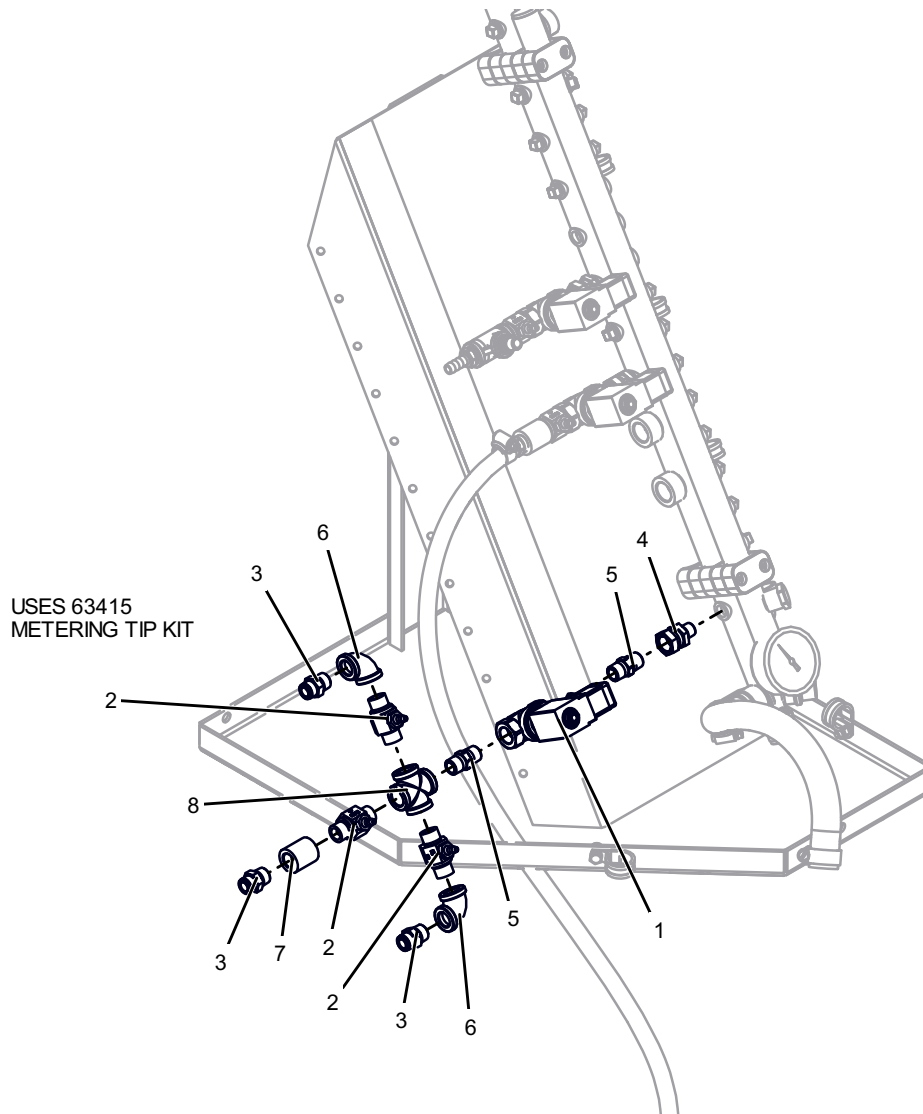
BOM ID	PartNo	Qty	Description
9	03010192	1	VALVE,3/8,SST,2-WAY,NC,232PSI
10	03150036	1	INJECTOR,.086,3/8MNPT,316SST/KYNAR,GP
11	03310038	1	HOSE-BARB,3/8Hx3/8MNPT,SST
12	44553-S	1	ADAPTER,3/8FNPT-SWIVELx1/4MNPT,SST
13	67055-4B	1	NIPPLE,HEX,3/8NPT,BRS
14	67603-B	1	PLUG,1/4NPT,SQ-HD,BRS
15	67794-4S	1	COUPLING,3/8NPT,SST

PUMP STATION SPOT FREE MANIFOLD 11250279



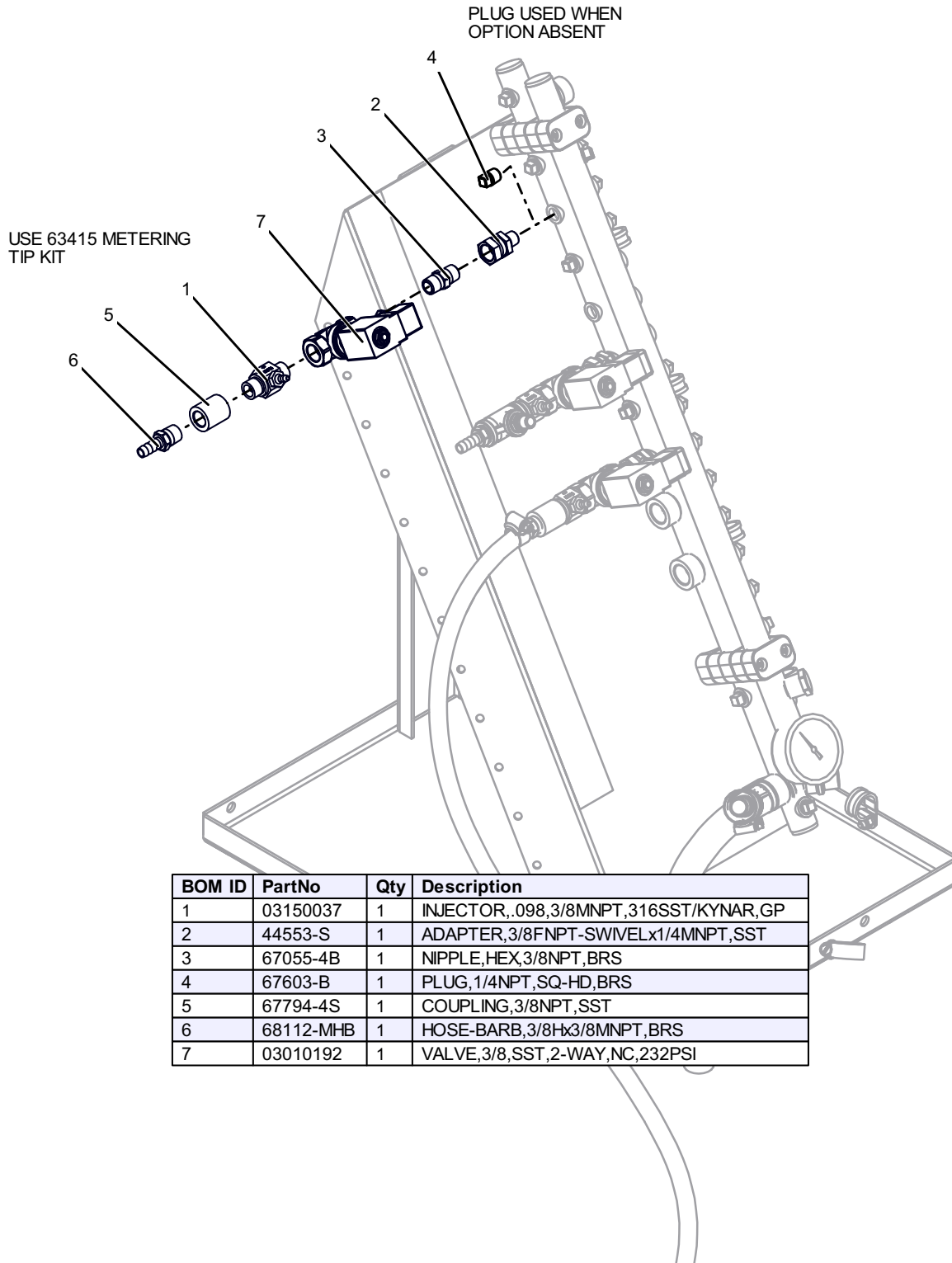
BOM ID	PartNo	Qty	Description
1	03010178	2	VALVE,3/4",BRASS,2-WAY,NC,232PSI
2	03220328	1	MANIFOLD,WELD-FTG,SPOT-FREE,SST,TF
3	75025	2	CLAMP,PIPE,1.00,PP,STANDARD
4	04080774	2	CORDSET,DIN,2X20AWG,90DEG,2M
5	05030067	8	WASHER,3/8,FLAT,7/8-OD,.050THK,SST
6	06141763	1	BRACKET,MANIFOLD,PUMP-STATION,LW20
7	67014-4S	2	NIPPLE,3/4NPTxCLOSE,SC40,SST
8	67060-4B	2	NIPPLE,HEX,3/4NPT,BRS
9	67120-4S	2	TEE,3/4NPT,PIPE,SST
10	67604-B	1	PLUG,3/4NPT,SQ-HD,BRS
11	67707-S	2	BUSHING,3/4NPTx1/4NPT,SST
12	68123-MHB	3	HOSE-BARB,3/4Hx3/4MNPT,BRS
13	70118-SCS	4	SCREW,1/4-20x3.00,PRHMS,SST
14	70182-HCS	4	SCREW,3/8-16x1.50,HHCS,SST
15	71011-NCS	4	NUT,1/4-20,HEX,LOCK,SST
16	71013-NCS	4	NUT,3/8-16,HEX,LOCK,SST
17	71511-FS	4	WASHER,1/4,FLAT,SST
18	24336-PB	2	TUBE-FTG,ELBOW,1/4Tx1/4NPT,PUSH,BRS
19	63135	2	VALVE,CHECK,1/4FNPT,1200PSI,BRS
20	67011-4B	2	NIPPLE,1/4NPTxCLOSE,SC40,BRS

PUMP STATION 3X FOAM MANIFOLD 11250418



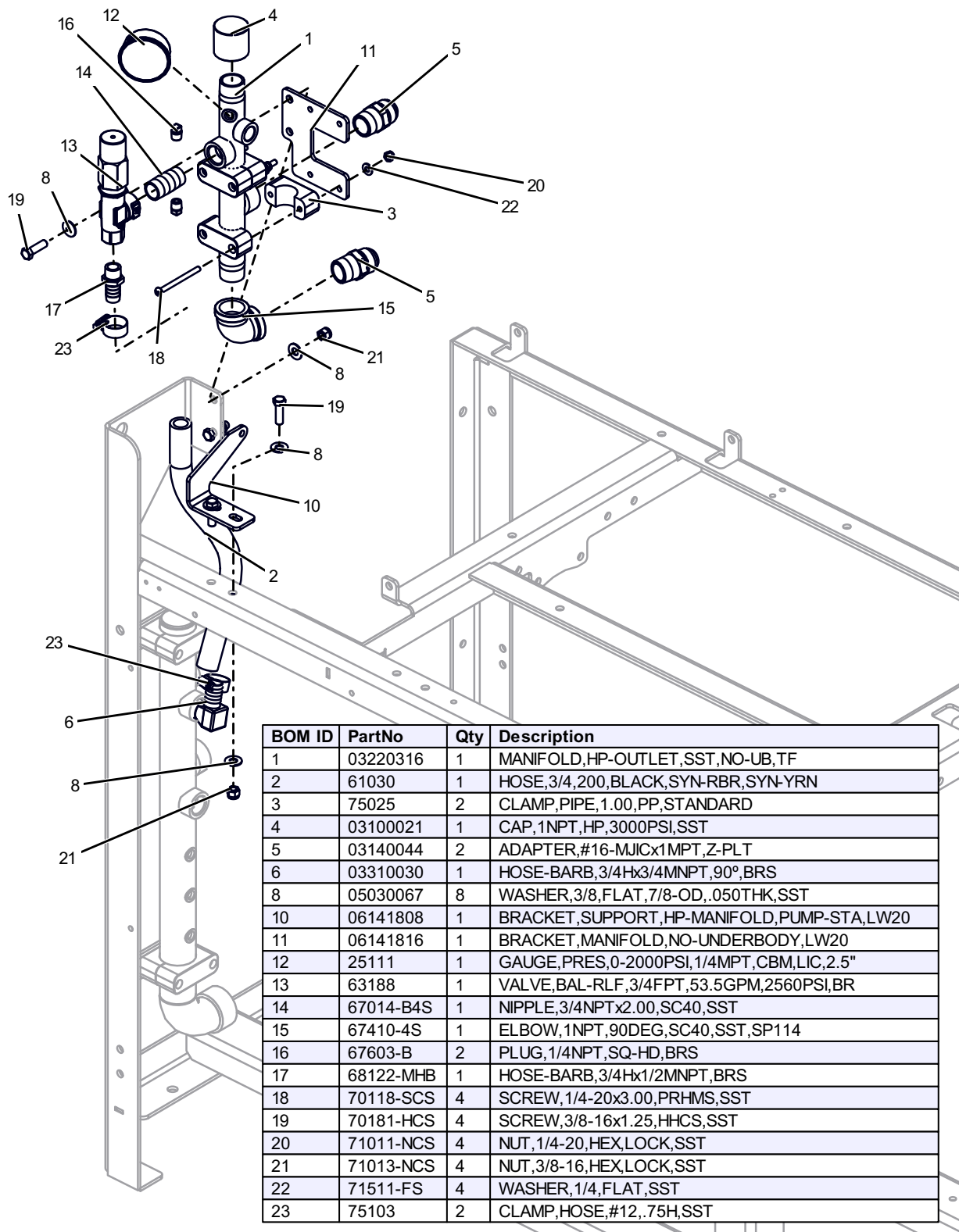
BOM ID	PartNo	Qty	Description
1	03010192	1	VALVE,3/8,SST,2-WAY,NC,232PSI
2	03150034	3	INJECTOR.057,3/8MNPT,316SST/KYNAR,GP
3	24038-PB	3	TUBE-FTG,CONN,3/8Tx3/8NPT,PUSH,BRS
4	44553-S	1	ADAPTER,3/8FNPT-SWIVELx1/4MNPT,SST
5	67055-4B	2	NIPPLE,HEX,3/8NPT,BRS
6	67404-4B	2	ELBOW,3/8NPT,90DEG,SC40,BRS
7	67794-4S	1	COUPLING,3/8NPT,SST
8	68410-4B	1	CROSS,3/8NPT,SC40,BRS

PUMP STATION PUMP STATION SUPER SEALANT MANIFOLD 11250419

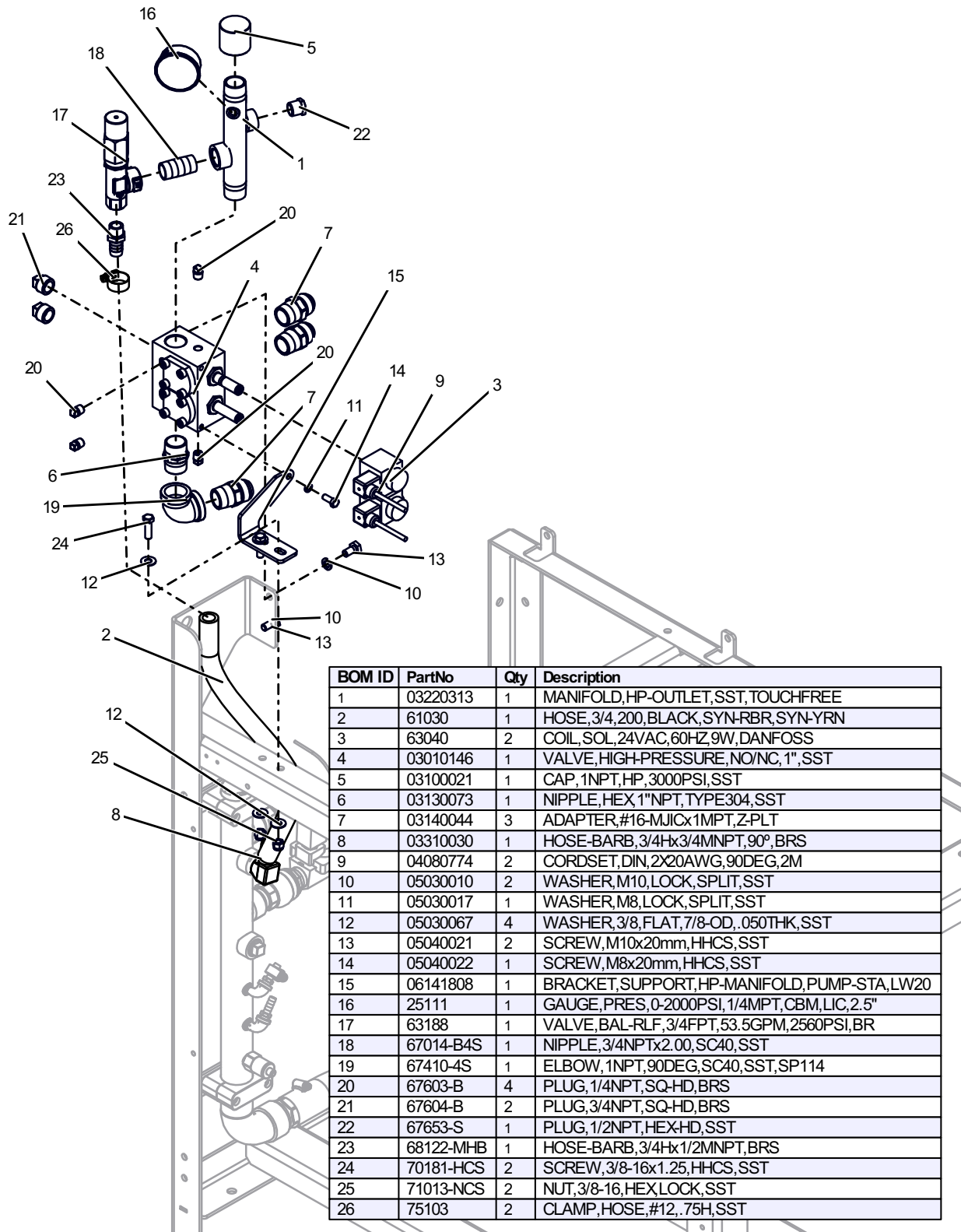


BOM ID	PartNo	Qty	Description
1	03150037	1	INJECTOR, .098, 3/8MNPT, 316SST/KYNAR, GP
2	44553-S	1	ADAPTER, 3/8FNPT-SWIVELx1/4MNPT, SST
3	67055-4B	1	NIPPLE, HEX, 3/8NPT, BRS
4	67603-B	1	PLUG, 1/4NPT, SQ-HD, BRS
5	67794-4S	1	COUPLING, 3/8NPT, SST
6	68112-MHB	1	HOSE-BARB, 3/8Hx3/8MNPT, BRS
7	03010192	1	VALVE, 3/8, SST, 2-WAY, NC, 232PSI

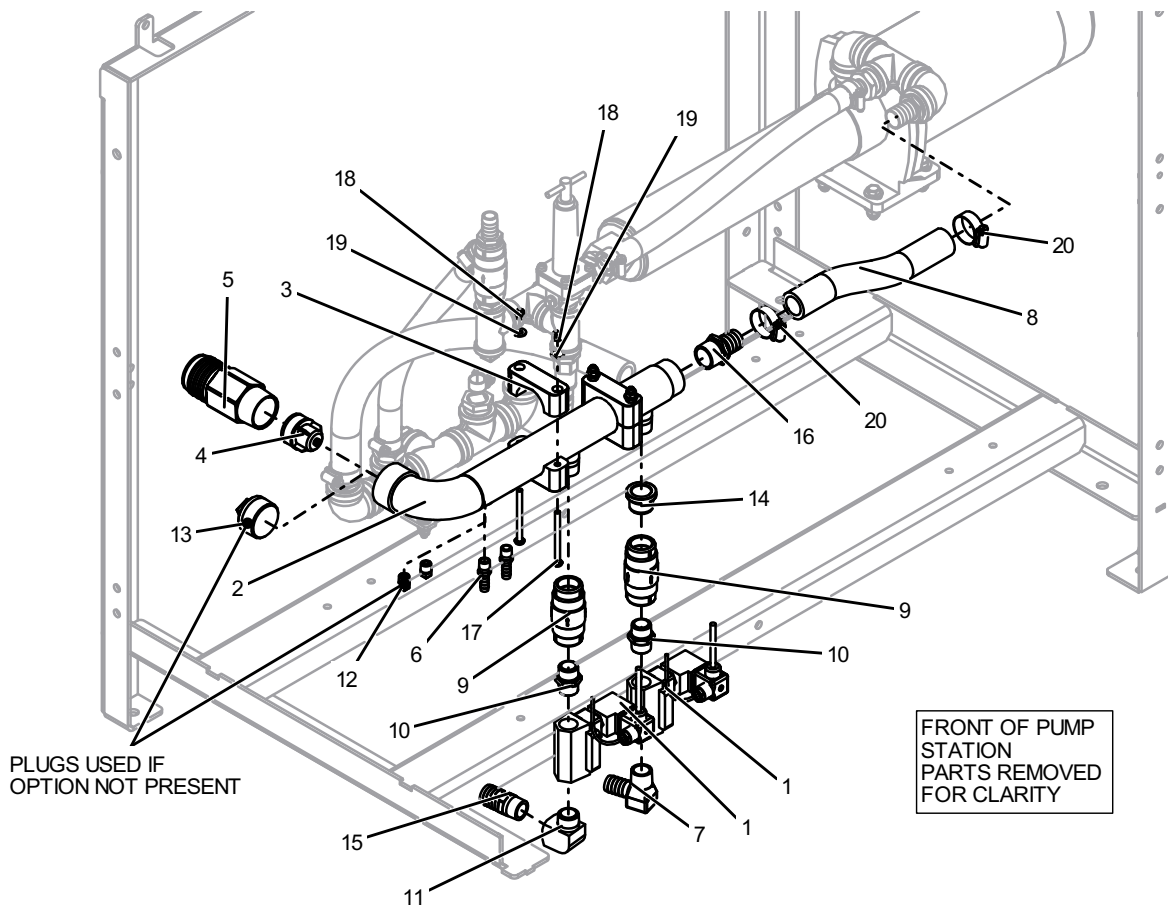
PUMP STATION HP MANIFOLD NO UNDERBODY 11030163



PUMP STATION HP MANIFOLD WITH UNDERBODY 11030163



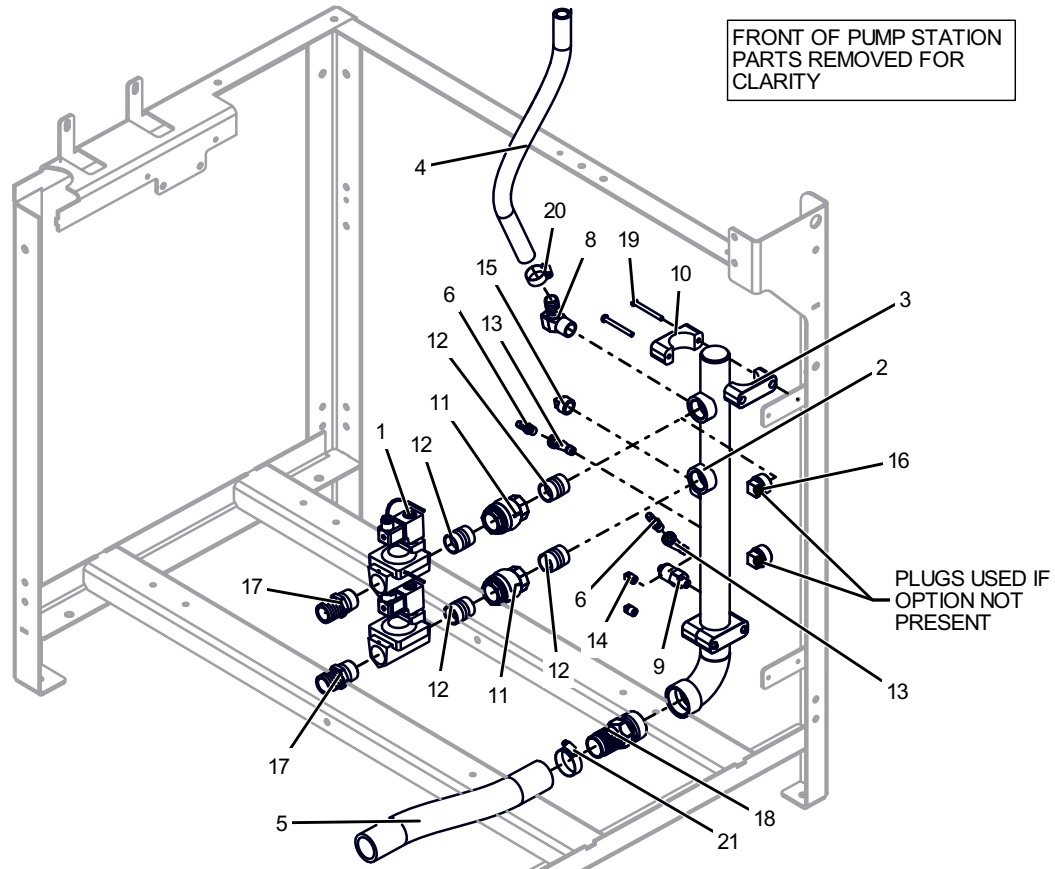
PUMP STATION LP PUMP MANIFOLD 03220312



BOM ID	PartNo	Qty	Description
1	03010178	2	VALVE,3/4",BRASS,2-WAY,NC,232PSI
2	03220312	1	MANIFOLD,LP-INLET,SST,TOUCHFREE
3	05050067	2	CLAMP,PIPE,1-1/2",PP,STANDARD
4	03010060	1	VALVE,CHECK,1-1/2",CRTG-STYLE,PLSTC/EPDM
5	03070064	1	COUPLING,1-1/2NPTx2H,W/CHKSEAT,SST
6	03310003	2	HOSE-BARB,3/8Hx1/4MNPT,BRS
7	03310030	1	HOSE-BARB,3/4Hx3/4MNPT,90°,BRS
8	61031	1	HOSE,1.00,200,BLACK,SYN-RBR,SYN-YRN
9	63119	2	VALVE,CHECK,3/4NPT,400PSI,0.5#,BRONZE
10	67060-4B	2	NIPPLE,HEX,3/4NPT,BRS
11	67493-4B	1	ELBOW,STREET,3/4NPT,90DEG,BRS,BARSTOCK
12	67603-B	2	PLUG,1/4NPT,SQ-HD,BRS
13	67607-B	1	PLUG,1-1/2NPT,SQ-HD,BRS
14	67679-S	1	CAP,3/4NPT,SST
15	68128-MHB	1	HOSE-BARB,1Hx3/4MNPT,BRS
16	68129-MHB	1	HOSE-BARB,1Hx1MPT,BRS
17	70118-SCS	4	SCREW,1/4-20x3.00,PRHMS,SST
18	71011-NCS	4	NUT,1/4-20,HEX,LOCK,SST
19	71511-FS	4	WASHER,1/4,FLAT,SST
20	75104	2	CLAMP,HOSE,#16,1.00H,SST

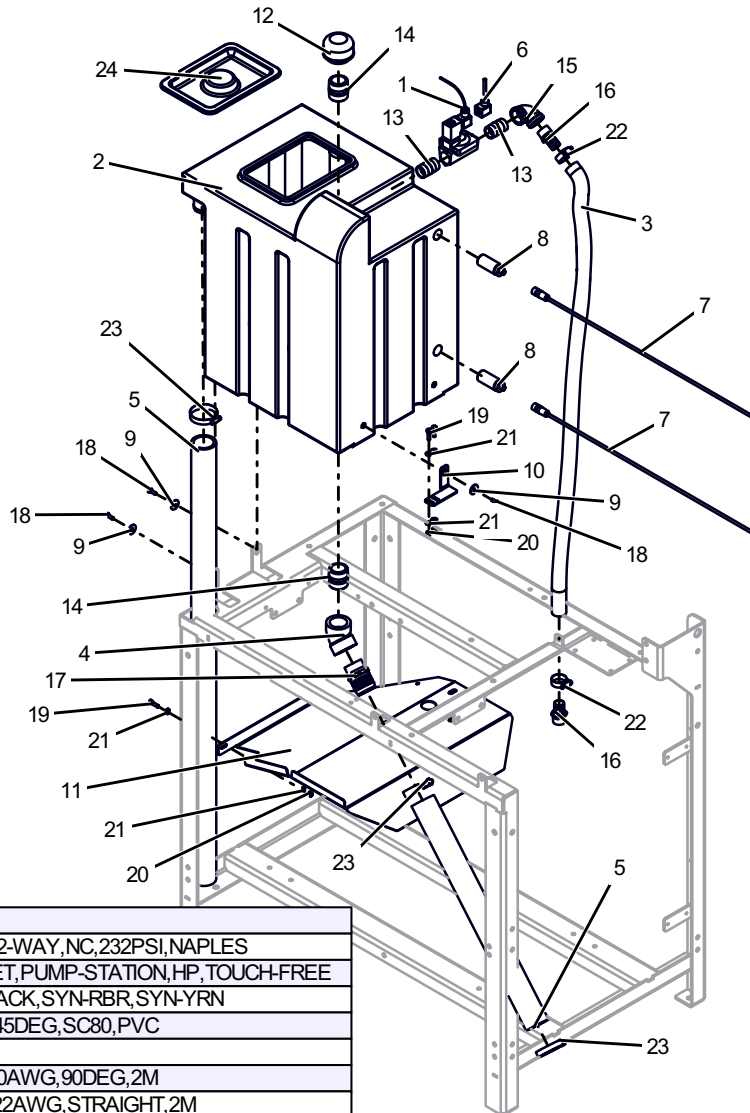
PUMP STATION HP PUMP DUAL PRESSURE FEEDS

03220315



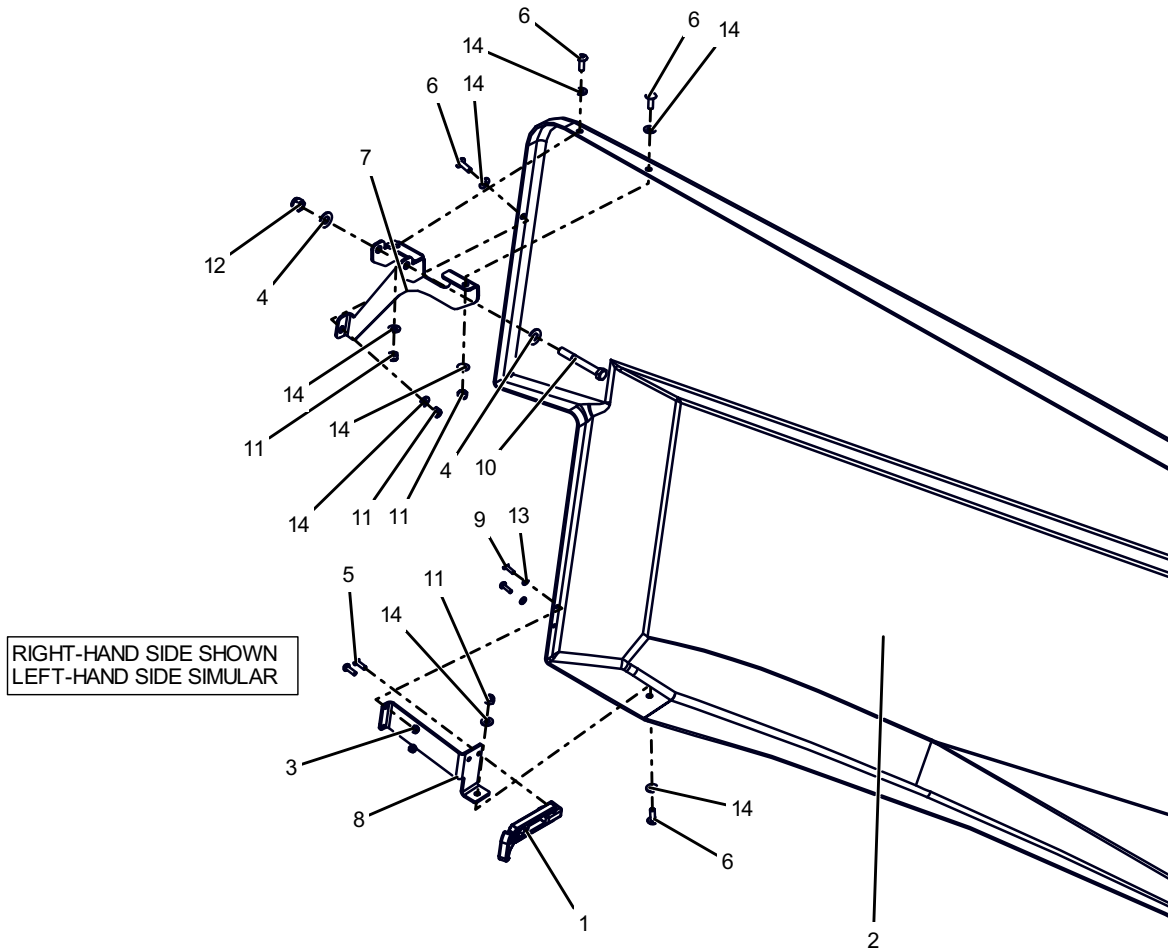
BOM ID	PartNo	Qty	Description
1	03010180	2	VALVE,1",BRASS,2-WAY,NC,232PSI
2	03220315	1	MANIFOLD,HP-INLET,SST,TOUCHFREE
3	05050067	2	CLAMP,PIPE,1-1/2,PP,STANDARD
4	61030	1	HOSE,3/4,200,BLACK,SYN-RBR,SYN-YRN
5	01130013	1	HOSE,1.50,200PSI,RBR,FBRC,BLK
6	03310007	2	HOSE-BARB,3/8Hx1/4MNPT,316SST
8	03310030	1	HOSE-BARB,3/4Hx3/4MNPT,90°,BRS
9	04040054	1	SWITCH,PRESSURE,2PSI,NO,1/4MNPT,M12
10	05050067A	2	CLAMP,PIPE,1-1/2,PP,STANDARDHALF
11	63144	2	VALVE,CHECK,1FNPT,150PSI,BRS
12	67015-4S	4	NIPPLE,1NPTxCLOSE,SC40,SST
13	67487-4S	2	ELBOW,STREET,1/4NPT,90DEG,SC40,SST
14	67603-B	2	PLUG,1/4NPT,SQ-HD,BRS
15	67604-B	1	PLUG,3/4NPT,SQ-HD,BRS
16	67605-B	2	PLUG,1NPT,SQ-HD,BRS
17	68134-MHB	2	HOSE-BARB,1-1/4Hx1MNPT,BRS
18	68141-MB	1	HOSE-BARB,1-1/2Hx1-1/2MNPT,BRS
19	70116-SCS	4	SCREW,1/4-20x2.50,PRHMS,SST
20	75103	1	CLAMP,HOSE,#12,.75H,SST
21	75106	1	CLAMP,HOSE,#24,1.25H,SST

PUMP STATION ON BOARD WATER TANK 09220065



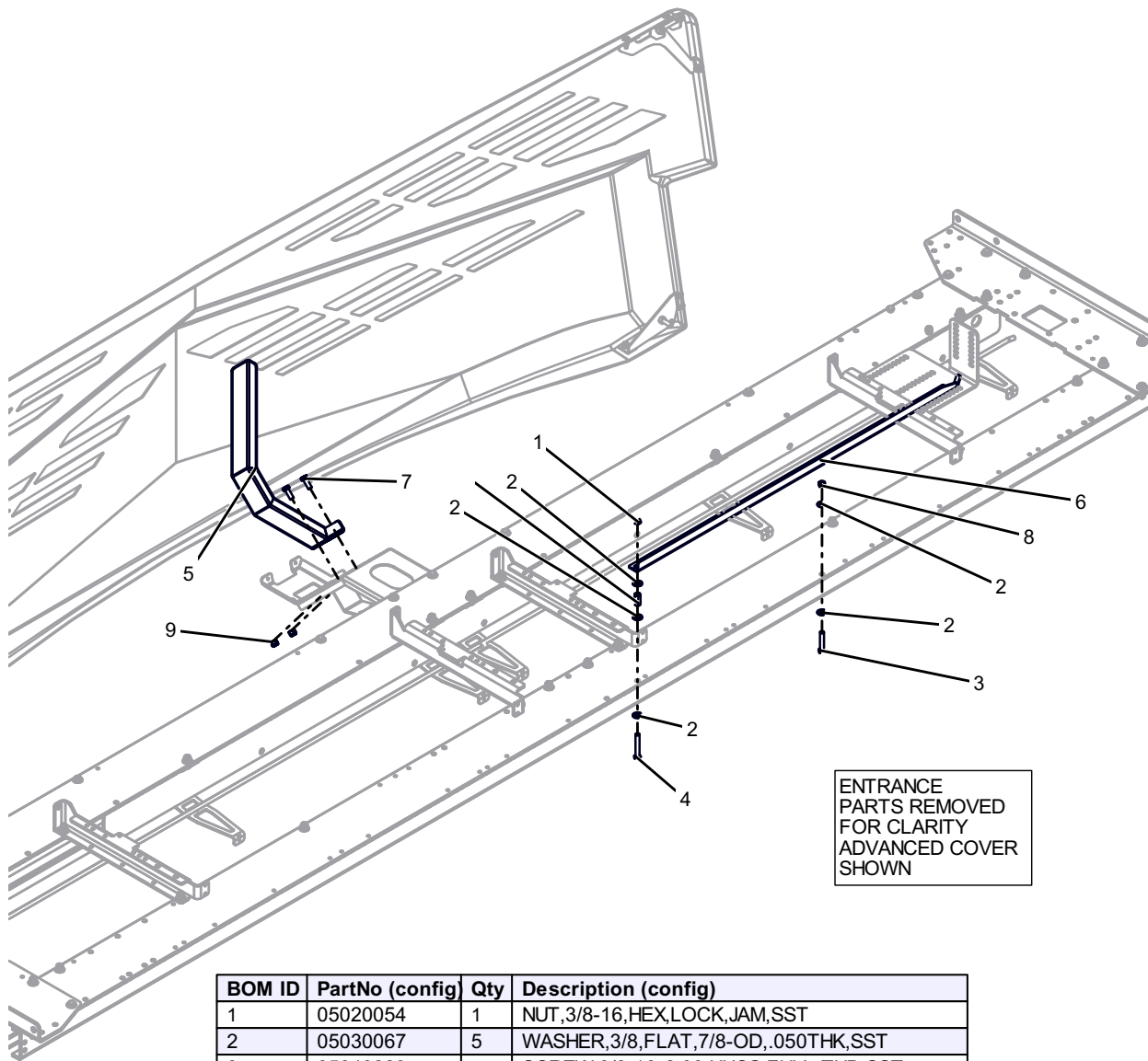
BOM ID	PartNo	Qty	Description
1	03010180	1	VALVE, 1", BRASS, 2-WAY, NC, 232PSI, NAPLES
2	03390005	1	TANK, WATER, INLET, PUMP-STATION, HP, TOUCH-FREE
3	61031	1	HOSE, 1.00, 200, BLACK, SYN-RBR, SYN-YRN
4	03040006	1	ELBOW, 1-1/2NPT, 45DEG, SC80, PVC
5	03340105	2	HOSE, TANK, 2"x
6	04080774	1	CORDSET, DIN, 2X20AWG, 90DEG, 2M
7	04080775	2	CORDSET, M12, 4X22AWG, STRAIGHT, 2M
8	04420055	2	SENSOR, PROX, CAPACITIVE, 30MM, M12
9	05030040	3	WASHER, 1/4x1.00", FENDER, SST
10	06141620	1	BRACKET, TANK-MOUNT, PUMP-FRAME, SST
11	06161049	1	GUARD, DRIP, HP-MOTOR, PUMP-STA, LW20
12	66101	1	STRAINER, WATER, 1-1/2, SUCT, 20 MESH, SST
13	67015-B4B	2	NIPPLE, 1NPTx2.00, SC40, BRS
14	67017-8P	2	NIPPLE, 1-1/2NPTxCLOSE, SC80, PVC
15	67410-4S	1	ELBOW, 1NPT, 90DEG, SC40, SST, SP114
16	68129-MHB	2	HOSE-BARB, 1Hx1MPT, BRS
17	68146-MHP	1	HOSE-BARB, 2Hx1-1/2MPT, PVC
18	70108-HCS	3	SCREW, 1/4-20x.75, HHCS, SST
19	70110-HCS	3	SCREW, 1/4-20x1.00, HHCS, SST
20	71011-NCS	3	NUT, 1/4-20, HEX, LOCK, SST
21	71511-FS	6	WASHER, 1/4, FLAT, SST
22	75104	2	CLAMP, HOSE, #16, 1.00H, SST
23	75109	3	CLAMP, HOSE, #36, 2.00H, SST
24	M540045	1	COVER, MLD, 6.00X9.00, BLK ABS

ADVANCED CENTER BRIDGE COVER 11260155



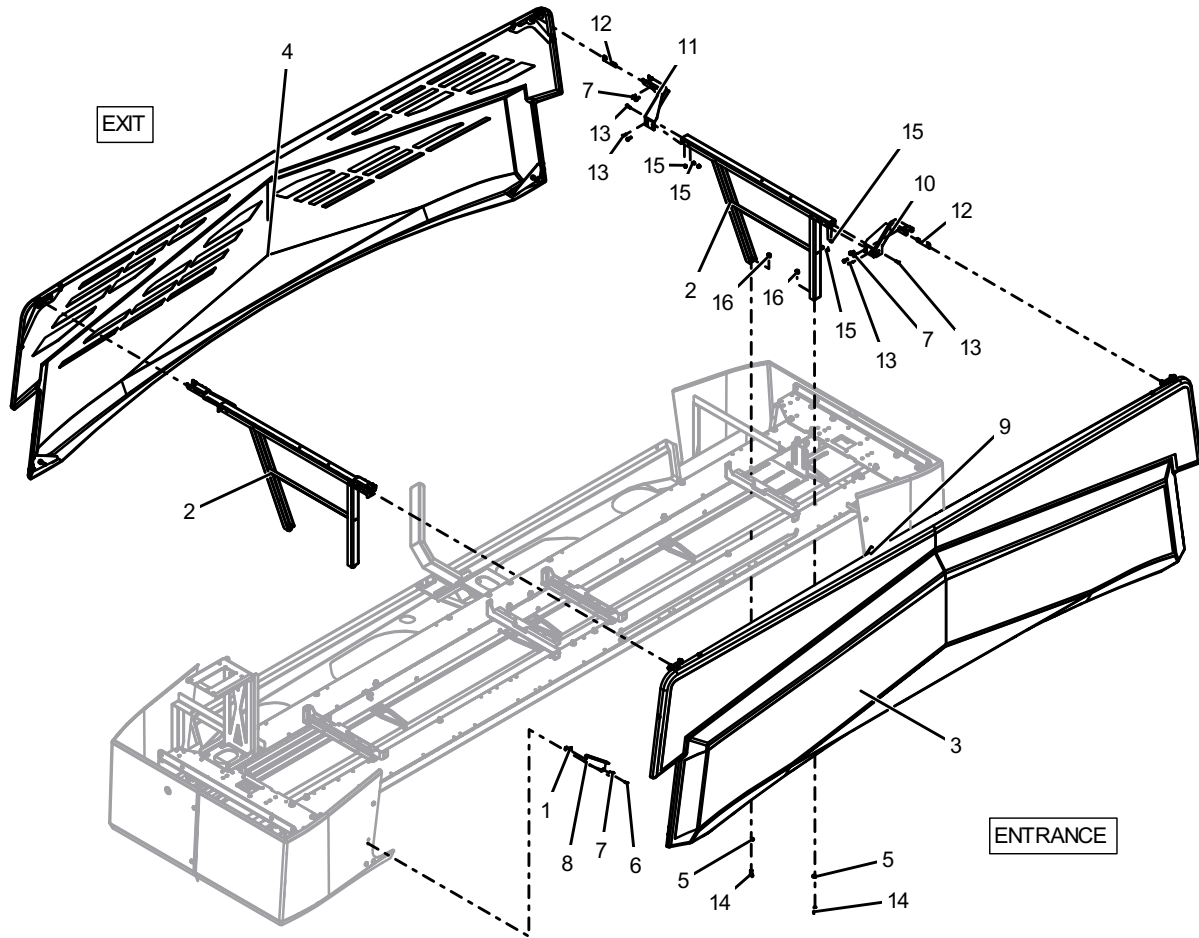
BOM ID	PartNo (config)	Qty	Description (config)
1	02050007	1	LATCH,DRAW,FLEXIBLE,PLSTC
2	06160529	1	COVER,BRIDGE,CENTER,BASE,TDMSL
3	05020018	2	NUT,#8-32,HEX,LOCK,SST
4	05030067	2	WASHER,3/8,FLAT,7/8-OD,.050THK,SST
5	05040068	2	SCREW,M5x16mm,PPHMS,SST
6	05040133	4	SCREW,1/4-20x.75,PTHMS,SST
7	06141565	1	BRACKET,HINGE,CVR,ENT-RH/EXT-LH,TDMSL
8	06141592-RH	1	BRACKET,LATCH,CTR-CVR,RH,TDMSL
9	70035-SCS	2	SCREW,#8-32x.63,PRHMS,SST
10	70188-HCS	1	SCREW,3/8-16x3.00,HHCS,SST
11	71011-NCS	4	NUT,1/4-20,HEX,LOCK,SST
12	71013-NCS	1	NUT,3/8-16,HEX,LOCK,SST
13	71508-FS	2	WASHER,#8,FLAT,SST
14	71511-FS	8	WASHER,1/4,FLAT,SST
15	06141566	1	BRACKET,HINGE,CVR,ENT-LH/EXT-RH,TDMSL [NOT SHOWN]
16	06141592-LH	1	BRACKET,LATCH,CTR-CVR,LH,TDMSL [NOT SHOWN]

COVER SUPPORT PROP STANDOFF BRACKET 11260171



BOM ID	PartNo (config)	Qty	Description (config)
1	05020054	1	NUT,3/8-16,HEX,LOCK,JAM,SST
2	05030067	5	WASHER,3/8,FLAT,7/8-OD,.050THK,SST
3	05040223	1	SCREW,3/8-16x2.00,HHCS,FULL-THD,SST
4	05040273	1	SCREW,3/8-16x2.50,HHCS,FULL-THD,SST
5	06141579	1	BRACKET,COVER,DRYER-STANDOFF,TDMSL
6	06190179	1	SUPPORT,PROP,CENTER-COVER,LW2020
7	70180-HCS	2	SCREW,3/8-16x1.00,HHCS,SST
8	71013-HCS	1	NUT,3/8-16,HEX,SST
9	71013-NCS	2	NUT,3/8-16,HEX,LOCK,SST

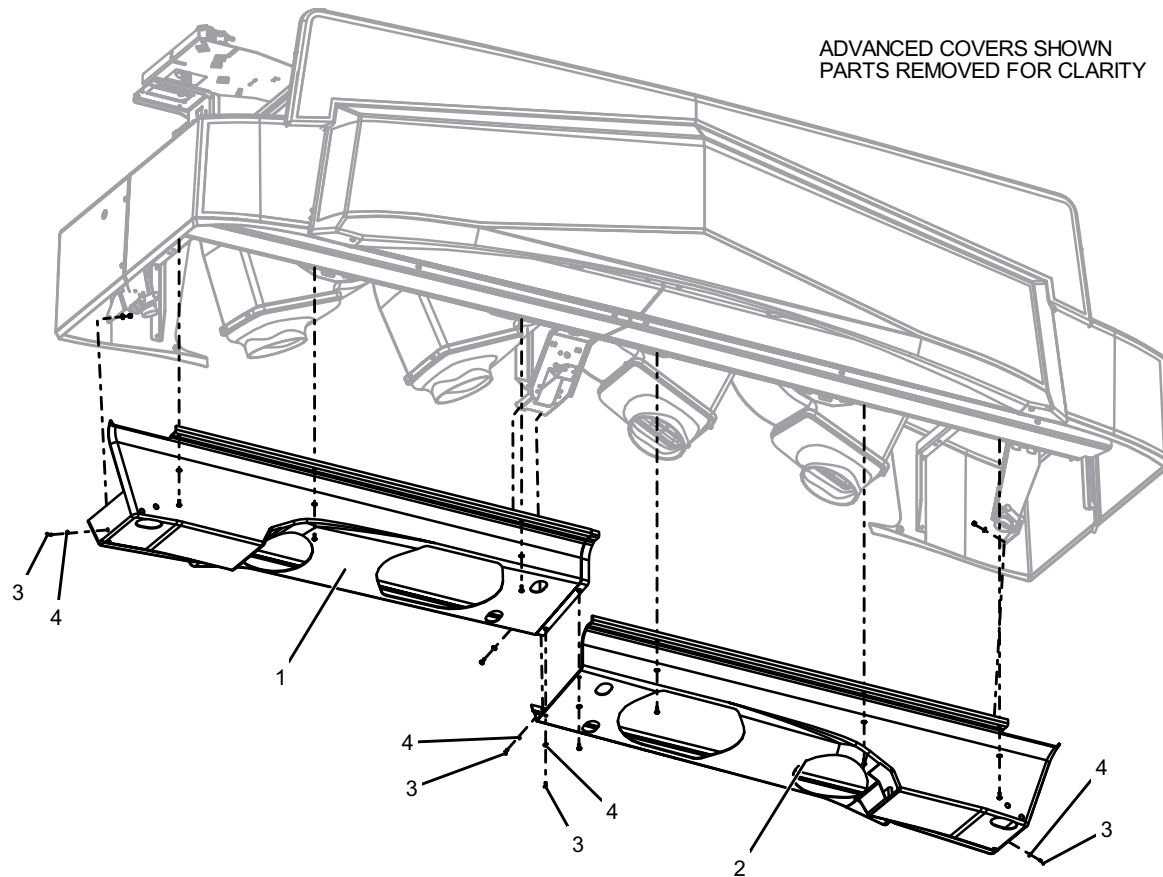
ADVANCED COVERS 11260171



BOM ID	PartNo (config)	Qty	Description (config)
1	02050007	2	LATCH,DRAW,FLEXIBLE,PLSTC
2	06250181	2	FRAME,CENTER-COVER,LW2020
3	11260155	1	COVER,ASSY,CENTER,ENTR,BASE,360P-ADV
4	11260157	1	COVER,ASSY,CENTER,EXIT,INTD,360P-ADV
5	05030067	4	WASHER,3/8,FLAT,7/8-OD,.050THK,SST
6	05040068	2	SCREW,M5x16mm,PPHMS,SST
7	05040402	11	SCREW,1/4-20X.62,HHFS,SERRATED,SST
8	06141594-LH	1	BRACKET,CATCH,CTR-CVR,LH,TDMSL
9	06141594-RH	1	BRACKET,CATCH,CTR-CVR,RH,TDMSL
10	06141759	2	BRACKET,HINGE,LW2020,TYPE-1
11	06141760	2	BRACKET,HINGE,LW2020,TYPE-2
12	06241099	4	PLATE,CATCH,CENTER-COVER,LW2020
13	70108-HCS	9	SCREW,1/4-20x.75,HHCS,SST
14	70180-HCS	4	SCREW,3/8-16x1.00,HHCS,SST
15	71011-NCS	9	NUT,1/4-20,HEX,LOCK,SST
16	71013-NCS	4	NUT,3/8-16,HEX,LOCK,SST

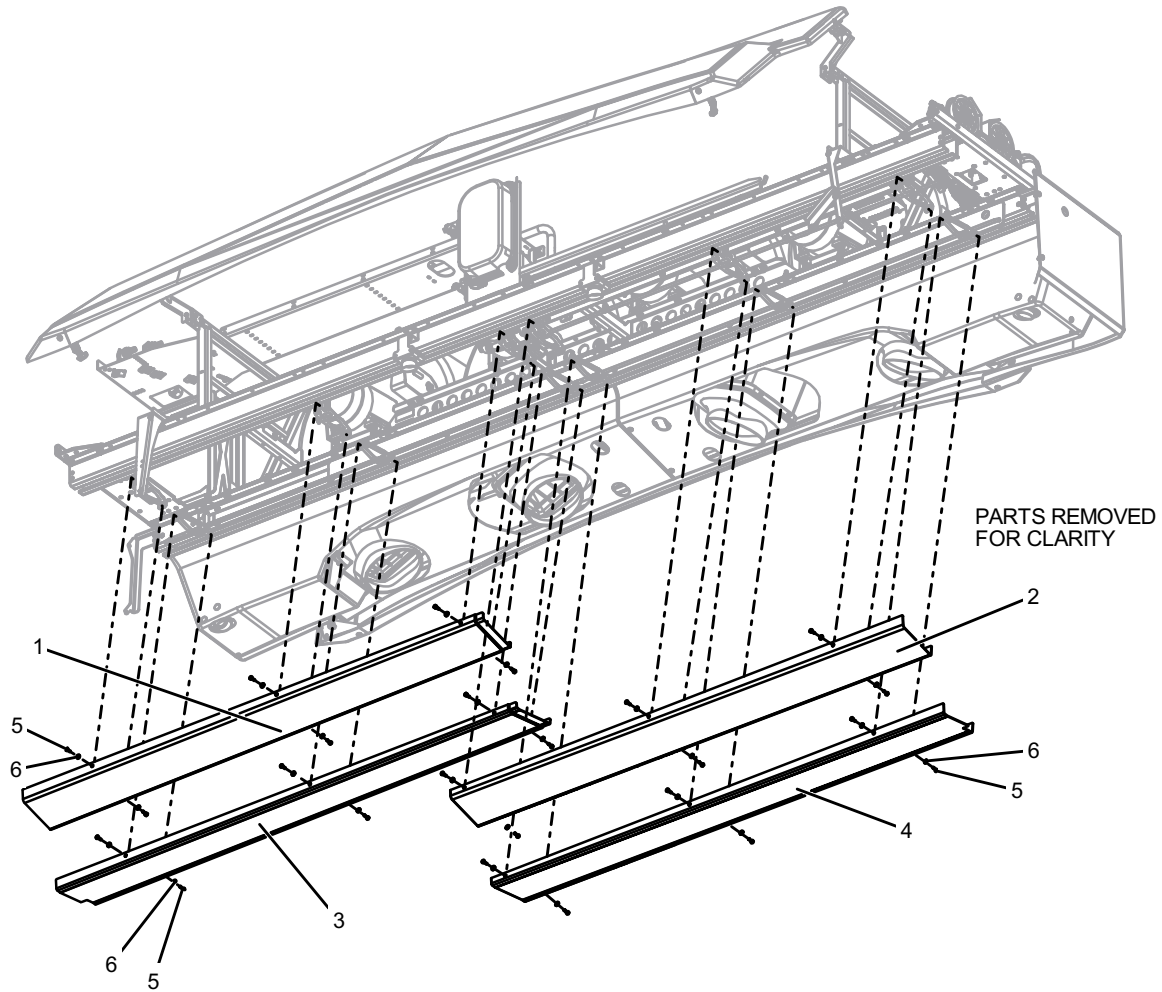
ADVANCED COVERS BOTTOM EXIT COVERS

11260171



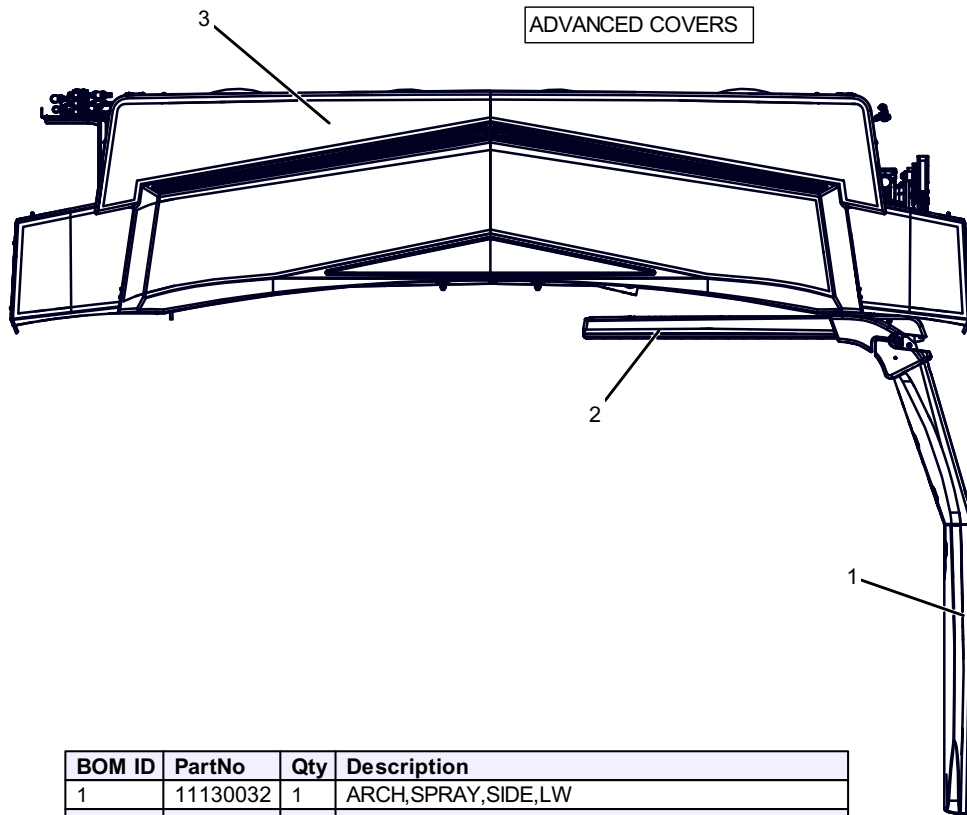
BOM ID	PartNo (config)	Qty	Description (config)
1	06160557-LH	1	COVER,FB,BOTTOM,INTD,TDMSL,LH
2	06160557-RH	1	COVER,FB,BOTTOM,INTD,TDMSL,RH
3	05040133	12	SCREW,1/4-20x.75,PTHMS,SST
4	71511-FS	12	WASHER,1/4,FLAT,SST

ADVANCED COVERS BOTTOM COVERS 11260171



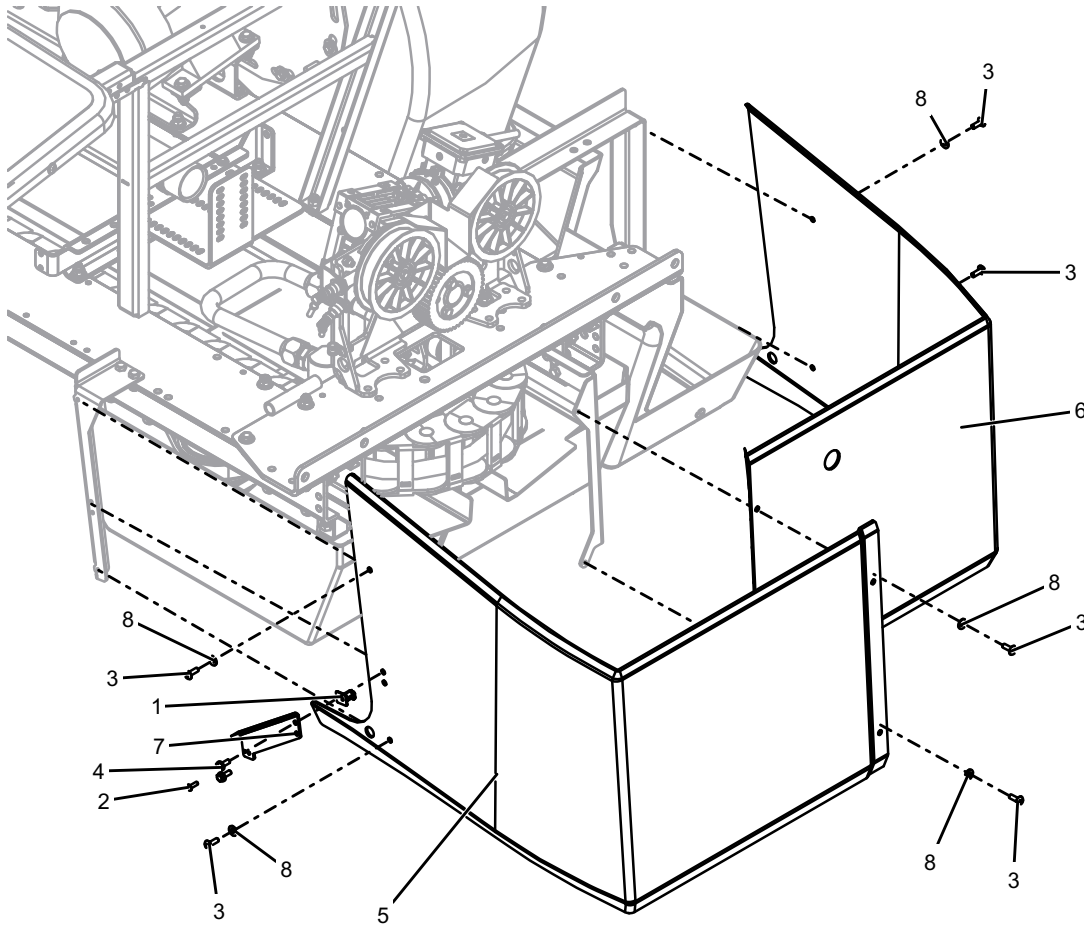
BOM ID	PartNo (config)	Qty	Description (config)
1	06160477-LH	1	COVER,BRIDGE,BOTTOM,ENT,LEFT,LW360P
2	06160477-RH	1	COVER,BRIDGE,BOTTOM,ENT,RIGHT,LW360P
3	06160478-LH	1	COVER,BRIDGE,BOTTOM,EXIT,LEFT,LW360P
4	06160478-RH	1	COVER,BRIDGE,BOTTOM,EXIT,RIGHT,LW360P
5	70108-HCS	24	SCREW,1/4-20x.75,HHCS,SST
6	71511-FS	24	WASHER,1/4,FLAT,SST

LASERWASH 360 PLUS BRIDGE ADVANCED COVERS



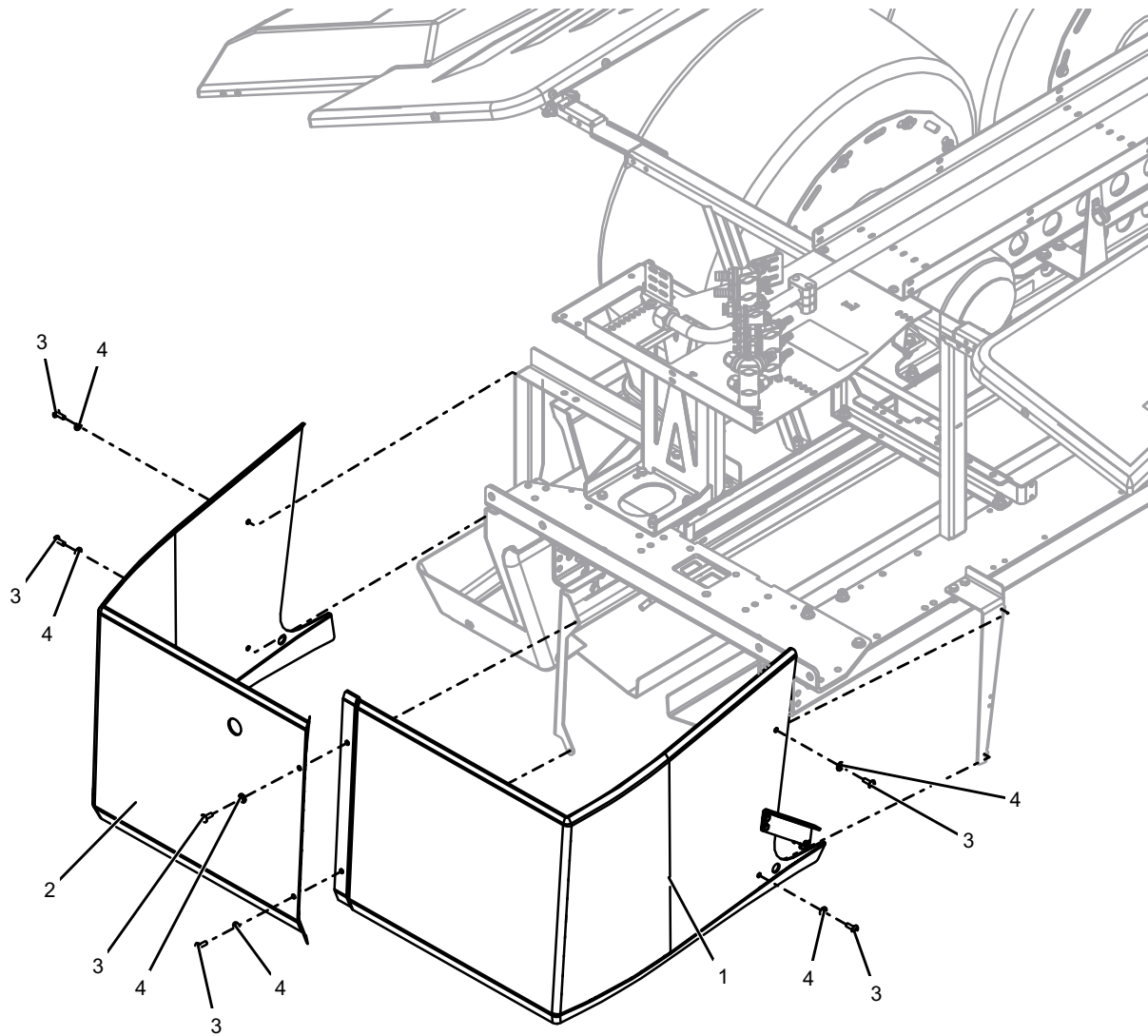
BOM ID	PartNo	Qty	Description
1	11130032	1	ARCH,SPRAY,SIDE,LW
2	11130033	1	ARCH,SPRAY,TOP,LW
3	11260181	1	COVER,ASSY,CENTER,ENTR,GLOW,LW20-ADV

ADVANCED COVERS SIDE COVERS RH 11260171



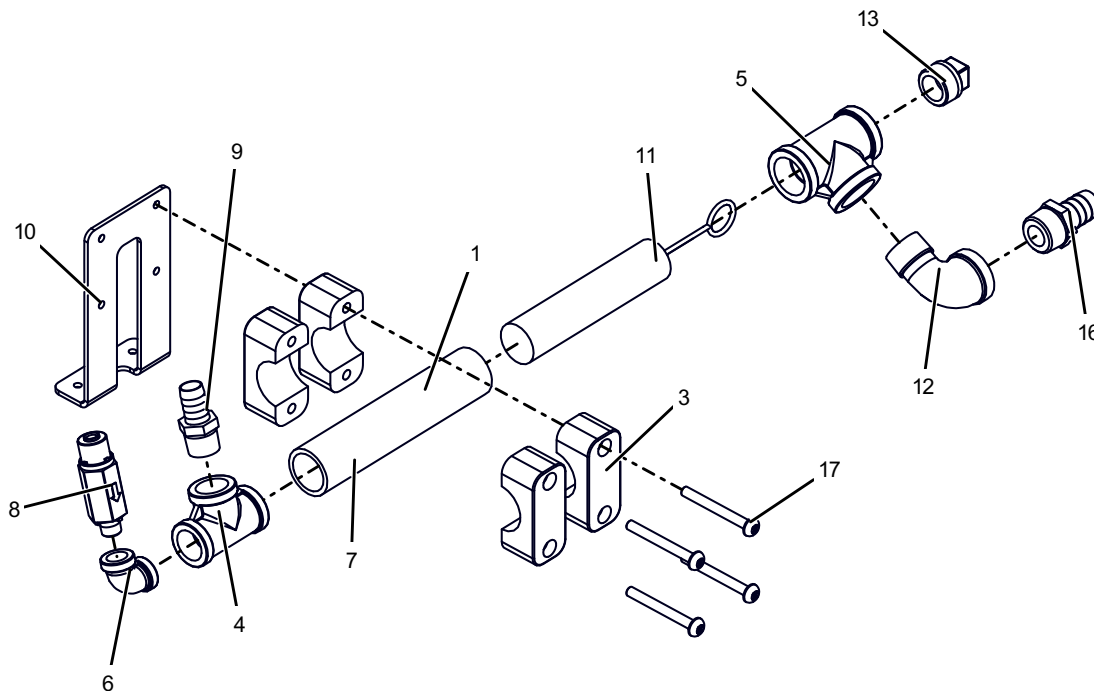
BOM ID	PartNo (config)	Qty	Description (config)
1	02050007	1	LATCH,DRAW,FLEXIBLE,PLSTC
2	05040068	1	SCREW,M5x16mm,PPHMS,SST
3	05040133	6	SCREW,1/4-20x.75,PTHMS,SST
4	05040402	2	SCREW,1/4-20X.62,HHFS,SERRATED,SST
5	06160582	1	COVER,BRIDGE,CRNR,ENTR-RH,360P-ADV
6	06160584	1	COVER,BRIDGE,CRNR,EXIT-RH,360P-ADV
7	06141594-RH	1	BRACKET,CATCH,CTR-CVR,RH,TDMSL
8	71511-FS	6	WASHER,1/4,FLAT,SST

ADVANCED COVERS SIDE COVERS LH 11260171



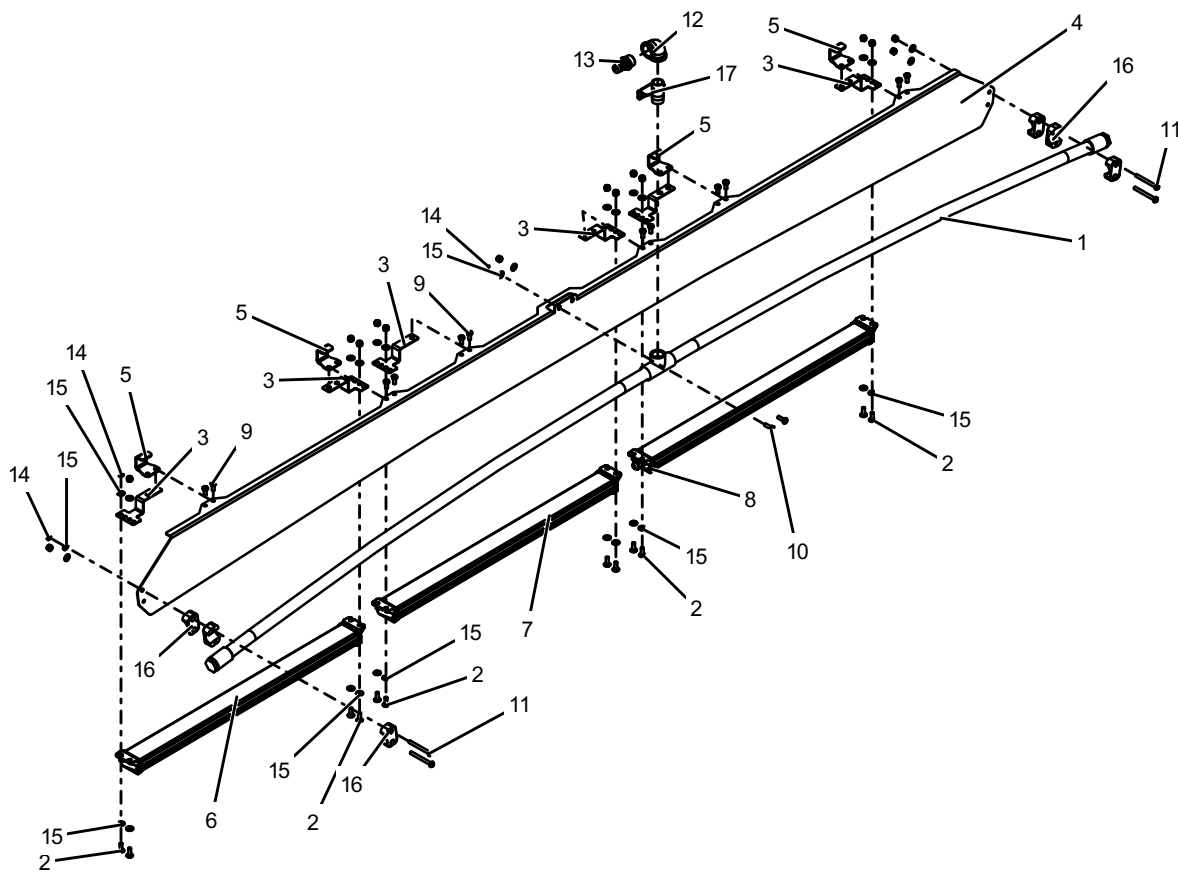
BOM ID	PartNo (config)	Qty	Description (config)
1	06160581	1	COVER,BRIDGE,CRNR,ENTR-LH,360P-ADV
2	06160583	1	COVER,BRIDGE,CRNR,EXIT-LH,360P-ADV
3	05040133	6	SCREW,1/4-20x.75,PTHMS,SST
4	71511-FS	6	WASHER,1/4,FLAT,SST

OVERGLOW FOAMER MANIFOLD 11250402



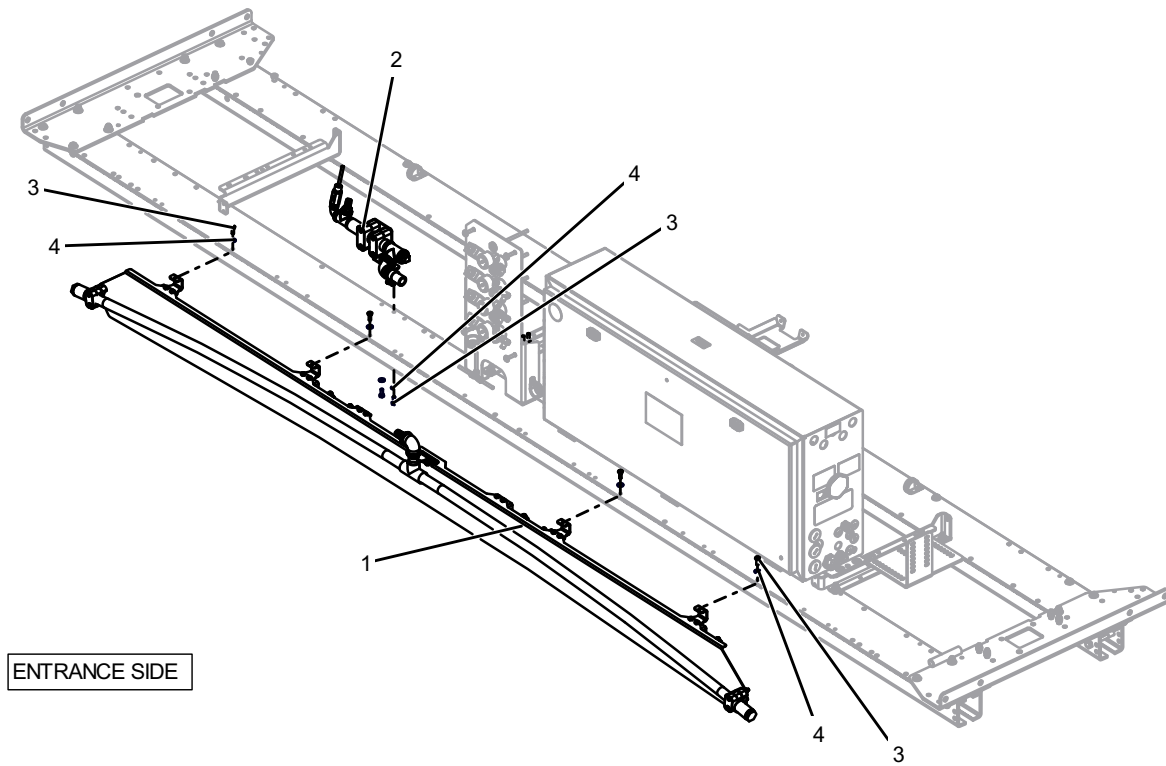
BOM ID	PartNo	Qty	Description
1	03220428	1	MANIFOLD,FOAMER,SST,OVERGLOW,LW20
3	75025	2	CLAMP,PIPE,1.00,PP,STANDARD
4	67115-4S	1	TEE,1/2NPT,PIPE,SC40,SST,SP114
5	67120-4S	1	TEE,3/4NPT,PIPE,SC40,SST,SP114
6	67402-4S	1	ELBOW,1/4NPT,90DEG,SC40,SST,SP114
7	69912-4S	1	PIPE,1IPS,SCH40,SST
8	03010129	1	VALVE,CHECK,1/4PCF-INx1/4NPT-OUT,3#
9	03310046	1	HOSE-BARB,5/8Hx1/2MNPT,BRS
10	06141778	1	BRACKET,MOUNT,FOAMER,OVERGLOW,LW2020
11	06500080	1	BRUSH,FOAMER,1.125X5,OVERGLOW
12	67493-4S	1	ELBOW,STREET,3/4NPT,90DEG,SC40,SST
13	67604-S	1	PLUG,3/4NPT,SQ-HD,SST
16	68123-MHB	1	HOSE-BARB,3/4Hx3/4MNPT,BRS
17	70115-SCS	4	SCREW,1/4-20x2.25,SRHMS,SST

OVERGLOW APPLICATOR MANIFOLD 11250383



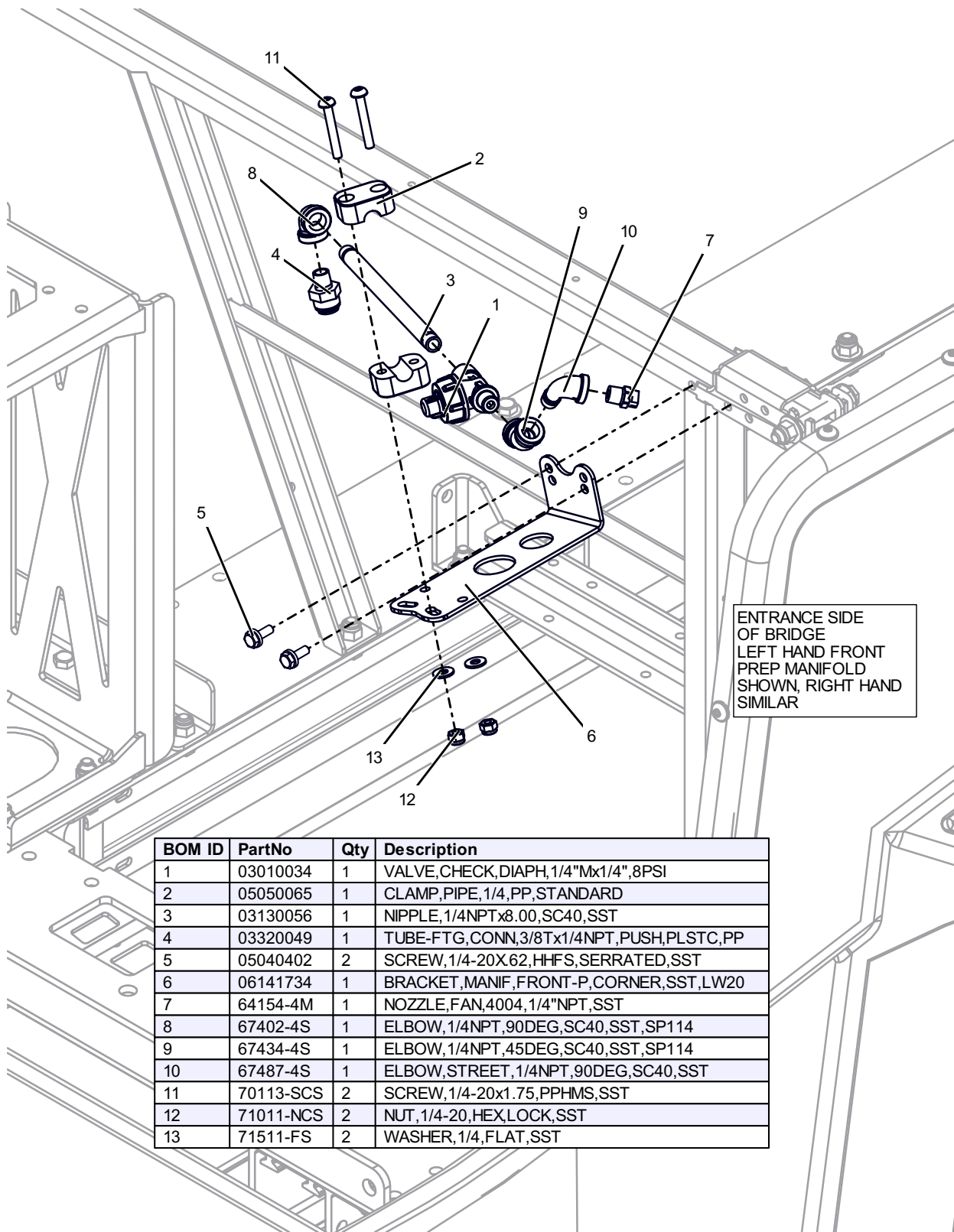
BOM ID	PartNo	Qty	Description
1	03220290	1	MANIFOLD, OVERGLOW, PVC, LASERWASH
2	05040133	12	SCREW, 1/4-20x.75, PTHMS, SST
3	06141313	6	BRACKET, LED-LIGHT, OVERGLOW, SYMM, LW360P
4	06141732	1	BRACKET, DEFLECTOR, OVERGLOW, SST, LW20
5	06141754	4	BRACKET, STAND-OFF, OVERGLOW-MANIFOLD, LW20
6	11310132-LH	1	LIGHT, LED, PROJECT, 2-BOARD, LEFT, TDMSL
7	11310132-MDL	1	LIGHT, LED, PROJECT, 2-BOARD, MIDDLE, TDMSL
8	11310132-RH	1	LIGHT, LED, PROJECT, 2-BOARD, RIGHT, TDMSL
9	70107-HCS	12	SCREW, 1/4-20X.62, HHCS, SST
10	70108-HCS	2	SCREW, 1/4-20x.75, HHCS, SST
11	70116-SCS	4	SCREW, 1/4-20x2.50, PPHMS, SST
12	67408-4S	1	ELBOW, 3/4NPT, 90DEG, SC40, SST, SP114
13	68123-MHB	1	HOSE-BARB, 3/4Hx3/4MNPT, BRS
14	71011-NCS	18	NUT, 1/4-20, HEX, LOCK, SST
15	71511-FS	30	WASHER, 1/4, FLAT, SST
16	75016	4	CLAMP, TUBE, 1", PP, STANDARD
17	03040058	1	NIPPLE, 3/4NPT, W/TAB, SST, OVERGLOW

OVERGLOW MANIFOLD 09170194



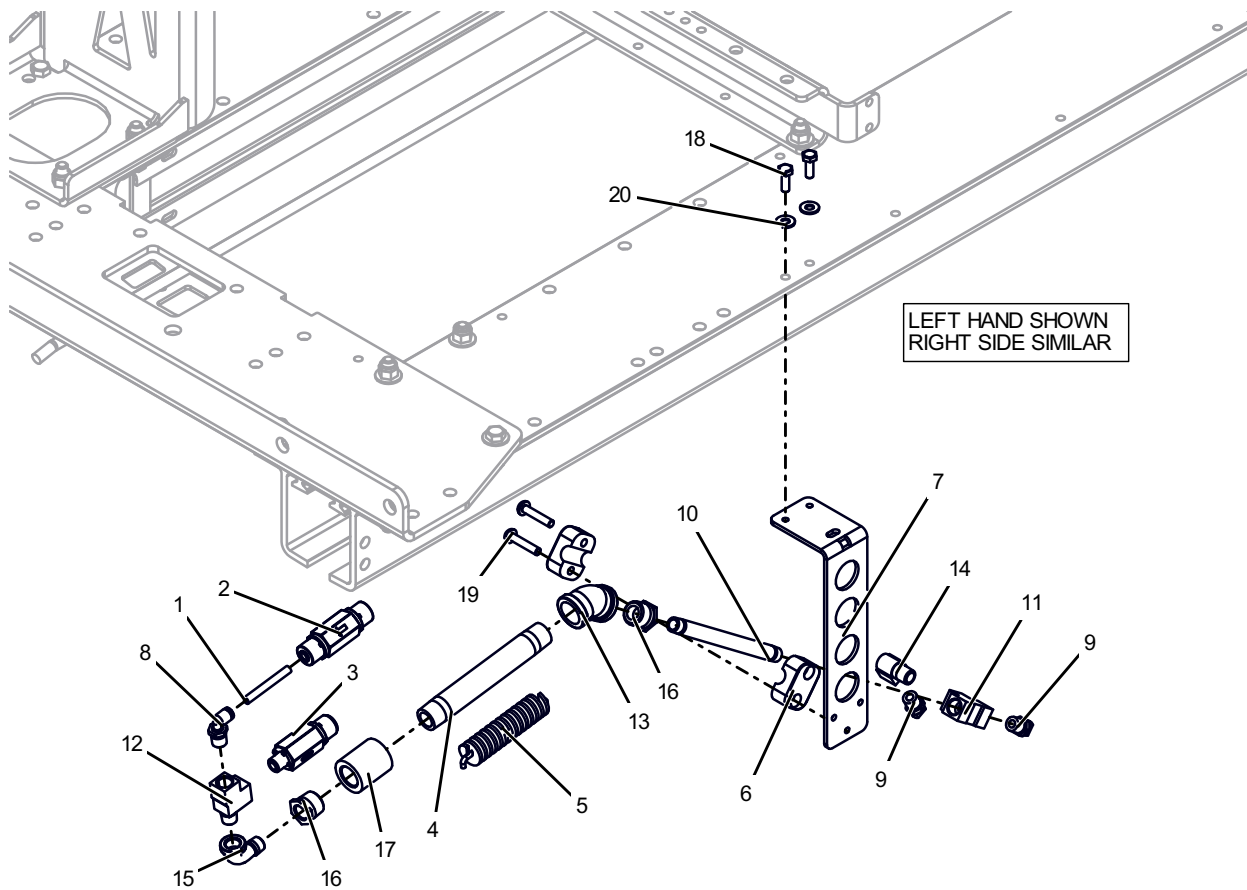
BOM ID	PartNo	Qty	Description
1	11250383	1	MANIFOLD,APPLICATOR,OVERGLOW,LW20
2	11250402	1	MANIFOLD,FOAMER,OVERGLOW,LW20
3	70108-HCS	6	SCREW,1/4-20x.75,HHCS,SST
4	71511-FS	6	WASHER,1/4,FLAT,SST

LEFT HAND FRONT PREP MANIFOLD 11250399



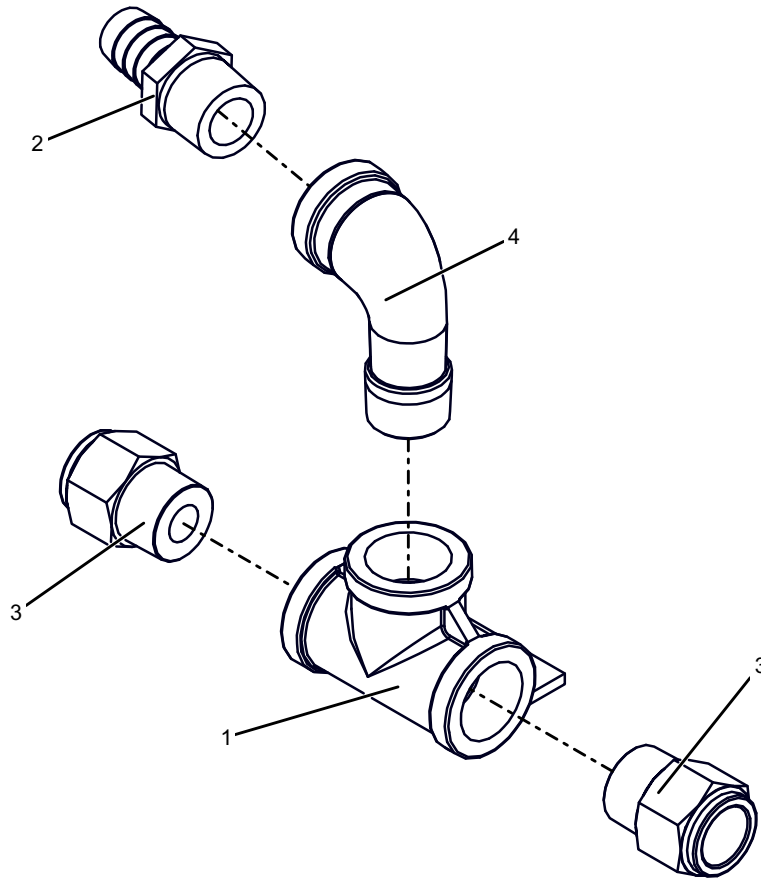
BOM ID	PartNo	Qty	Description
1	03010034	1	VALVE,CHECK,DIAPH,1/4"Mx1/4",8PSI
2	05050065	1	CLAMP,PIPE,1/4,PP,STANDARD
3	03130056	1	NIPPLE,1/4NPTx8.00,SC40,SST
4	03320049	1	TUBE-FTG,CONN,3/8Tx1/4NPT,PUSH,PLSTC,PP
5	05040402	2	SCREW,1/4-20X.62,HHFS,SERRATED,SST
6	06141734	1	BRACKET,MANIF,FRONT-P,CORNER,SST,LW20
7	64154-4M	1	NOZZLE,FAN,4004,1/4"NPT,SST
8	67402-4S	1	ELBOW,1/4NPT,90DEG,SC40,SST,SP114
9	67434-4S	1	ELBOW,1/4NPT,45DEG,SC40,SST,SP114
10	67487-4S	1	ELBOW,STREET,1/4NPT,90DEG,SC40,SST
11	70113-SCS	2	SCREW,1/4-20x1.75,PPHMS,SST
12	71011-NCS	2	NUT,1/4-20,HEX,LOCK,SST
13	71511-FS	2	WASHER,1/4,FLAT,SST

SUPER SEALANT MANIFOLD 11250397



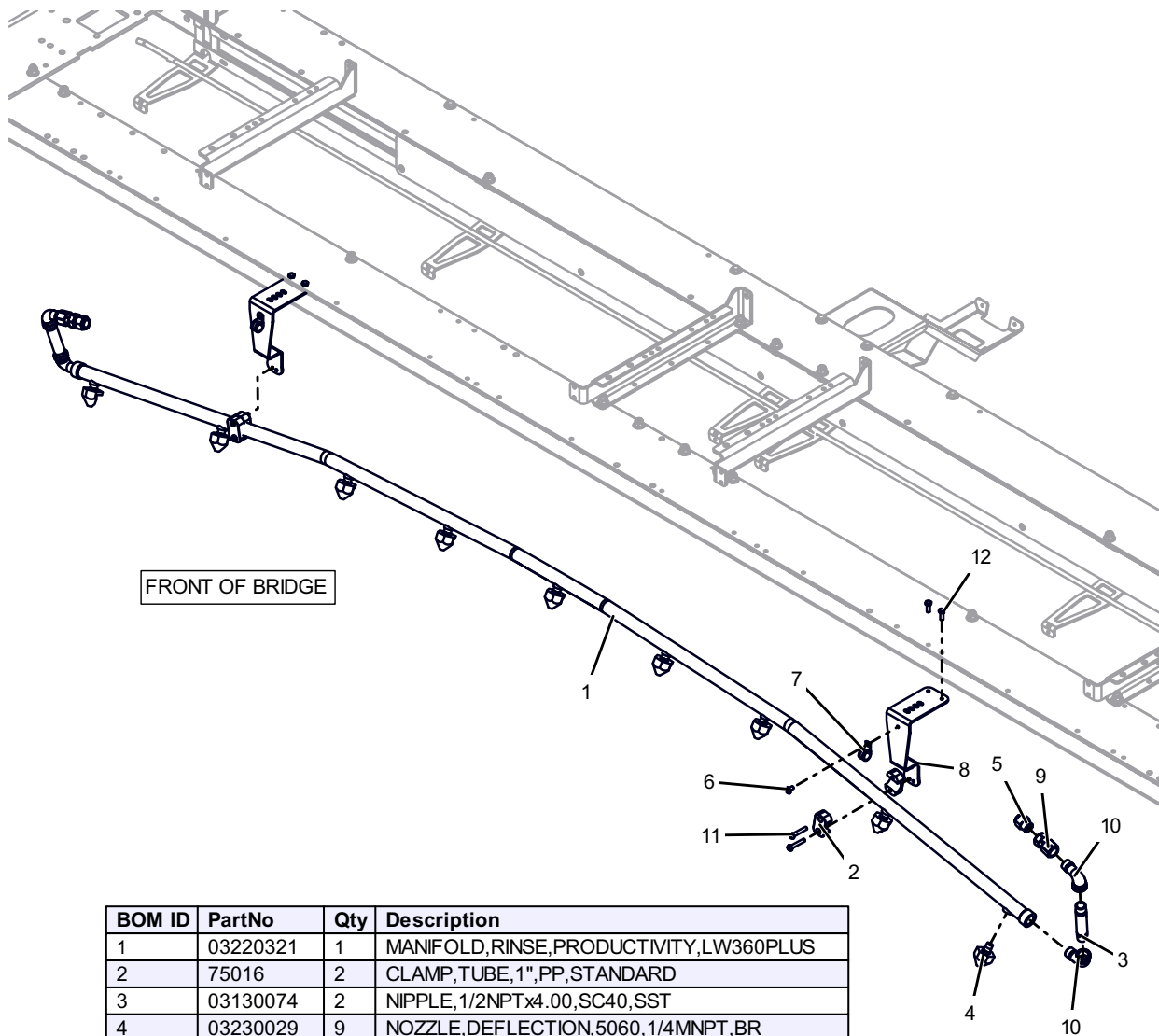
BOM ID	PartNo	Qty	Description
1	01120018	1	TUBING, 1/4ODx.04W,230psi@70F,LLDPE,BLACK
2	03010105	1	VALVE,CHECK,1/4x1/4PCF,3#,BRIDGE,G5
3	03010134	1	VALVE,CHECK,3/8PCF-INx1/4NPT-OUT,1#
4	03130078	1	NIPPLE,1/2NPTx5.50,SC40,SST
5	03260002	1	MIXER,BRUSH,FOAMER,.875X4,3X/SS,LW360P
6	05050065	1	CLAMP,PIPE,1/4,PP,STANDARD
7	06141737	1	BRACKET,MANIF,SUPER-SEALANT,ENT,SST,LW20
8	24336-PB	1	TUBE-FTG,ELBOW,1/4Tx1/4NPT,PUSH,BRS
9	65052-4M	2	NOZZLE,V-JET,8020,1/4"NPT,BRS
10	67011-J4S	1	NIPPLE,1/4NPTx6.00,SC40,SST
11	67105-4B	1	TEE,1/4NPT,PIPE,SC40,BRS
12	67190-4B	1	TEE,1/4NPT,MALE-RUN,SC40,BRS
13	67438-4S	1	ELBOW,1/2NPT,45DEG,SC40,SST,SP114
14	67487-4B	1	ELBOW,STREET,1/4NPT,90DEG,SHORT,SC40,BRS
15	67487-4S	1	ELBOW,STREET,1/4NPT,90DEG,SC40,SST
16	67704-S	2	BUSHING,1/2NPTx1/4NPT,SST
17	67796-4S	1	COUPLING,1/2NPT,SST
18	70108-HCS	2	SCREW,1/4-20x.75,HHCS,SST
19	70111-SCS	2	SCREW,1/4-20x1.25,PPHMS,SST
20	71511-FS	2	WASHER,1/4,FLAT,SST

HV RINSE DISTRIBUTION MANIFOLD 11250336



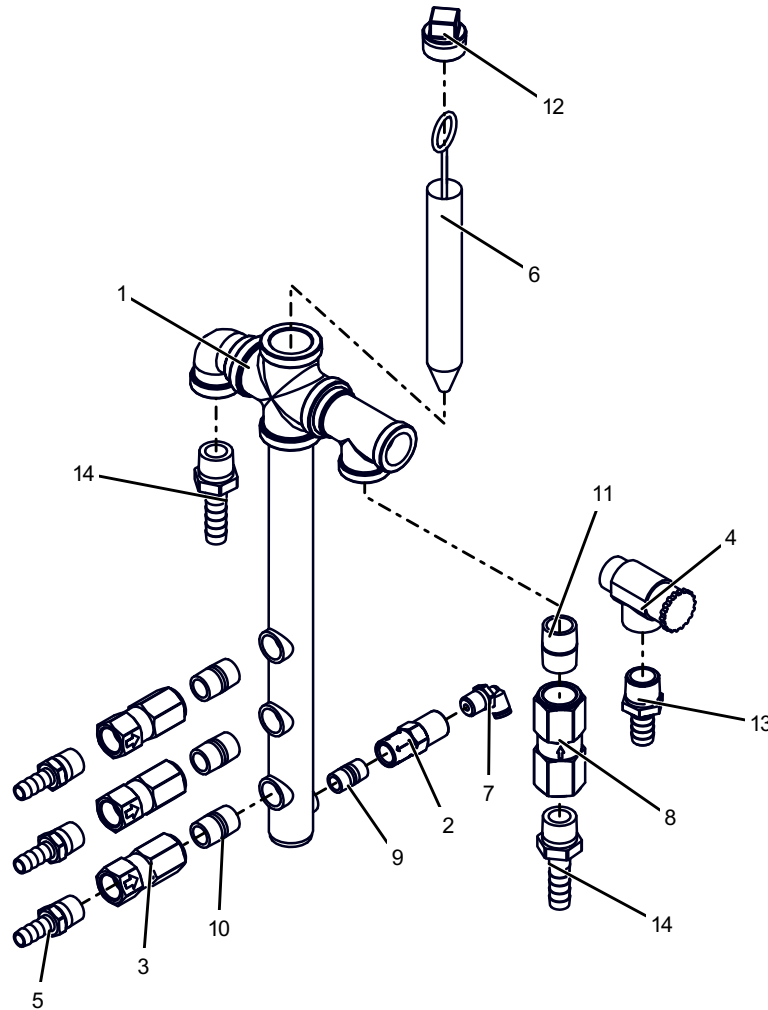
BOM ID	PartNo	Qty	Description
1	03050028	1	TEE, 1/2NPT, PIPE, W/MOUNT-TAB, SST, LW360P
2	03310046	1	HOSE-BARB, 5/8Hx1/2MNPT, BRS
3	03320069	2	TUBE-FTG, 16mmTx1/2MNPT, BRASS
4	67491-4S	1	ELBOW, STREET, 1/2NPT, 90DEG, SST

LP PRODUCTIVITY RINSE MANIFOLD 11250394



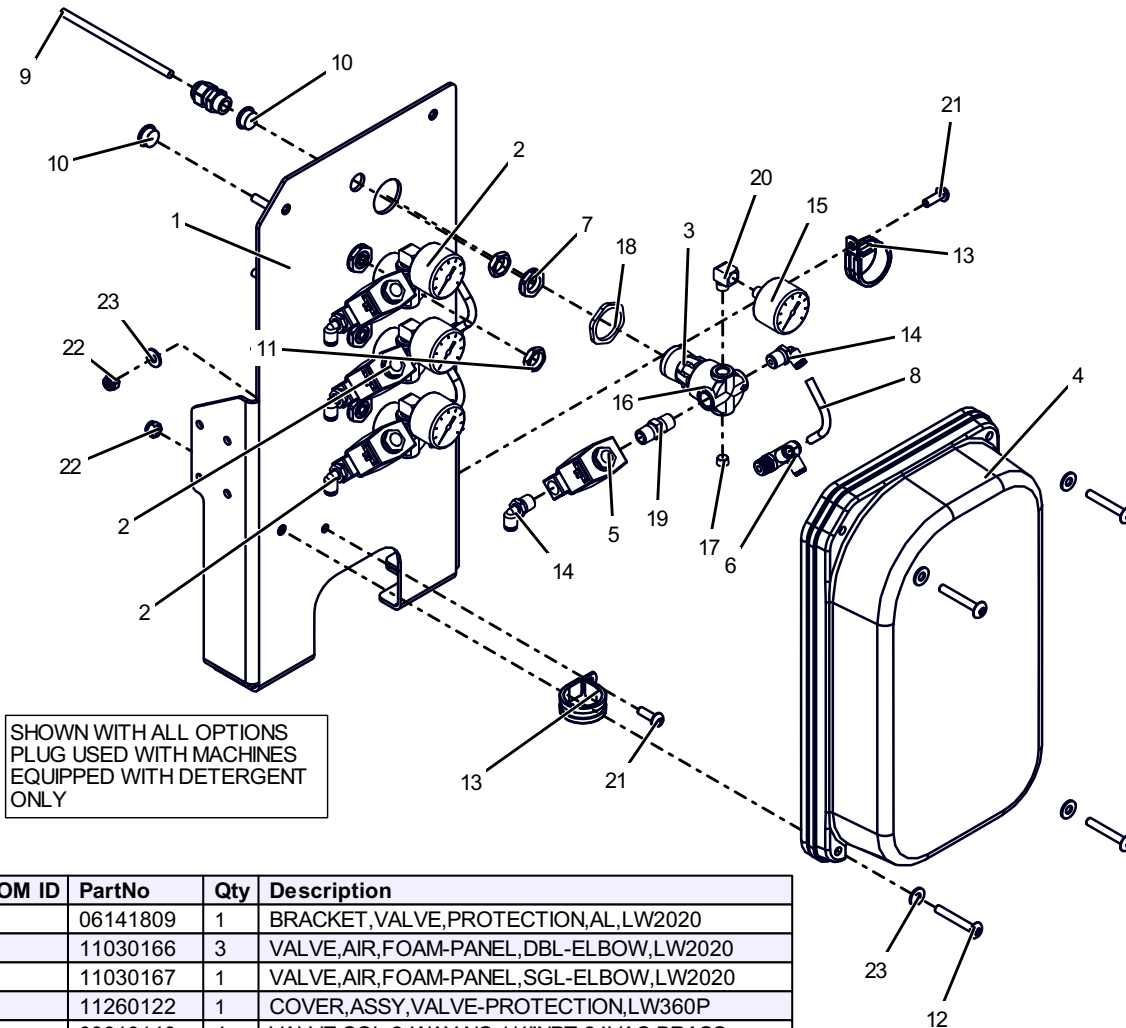
BOM ID	PartNo	Qty	Description
1	03220321	1	MANIFOLD,RINSE,PRODUCTIVITY,LW360PLUS
2	75016	2	CLAMP,TUBE,1",PP,STANDARD
3	03130074	2	NIPPLE,1/2NPTx4.00,SC40,SST
4	03230029	9	NOZZLE,DEFLECTION,5060,1/4MNPT,BR
5	03320069	2	TUBE-FTG,16mmTx1/2MNPT,BRASS
6	05040260	2	SCREW,1/4-20x.50,PTHMS,SST
7	05050008	2	CLAMP,CUSHION,3/4",SST
8	06141735	2	BRACKET,MANIF,PROD-RINSE,SYM,SST,LW20
9	63153	2	VALVE,CHECK,1/2FNPT,1200PSI,BRS
10	67491-4S	4	ELBOW,STREET,1/2NPT,90DEG,SST
11	70112-SCS	4	SCREW,1/4-20x1.50,PPHMS,SST
12	70108-HCS	4	SCREW,1/4-20x.75,HHCS,SST

LP BRIDGE FOAMER MANIFOLD 11250408



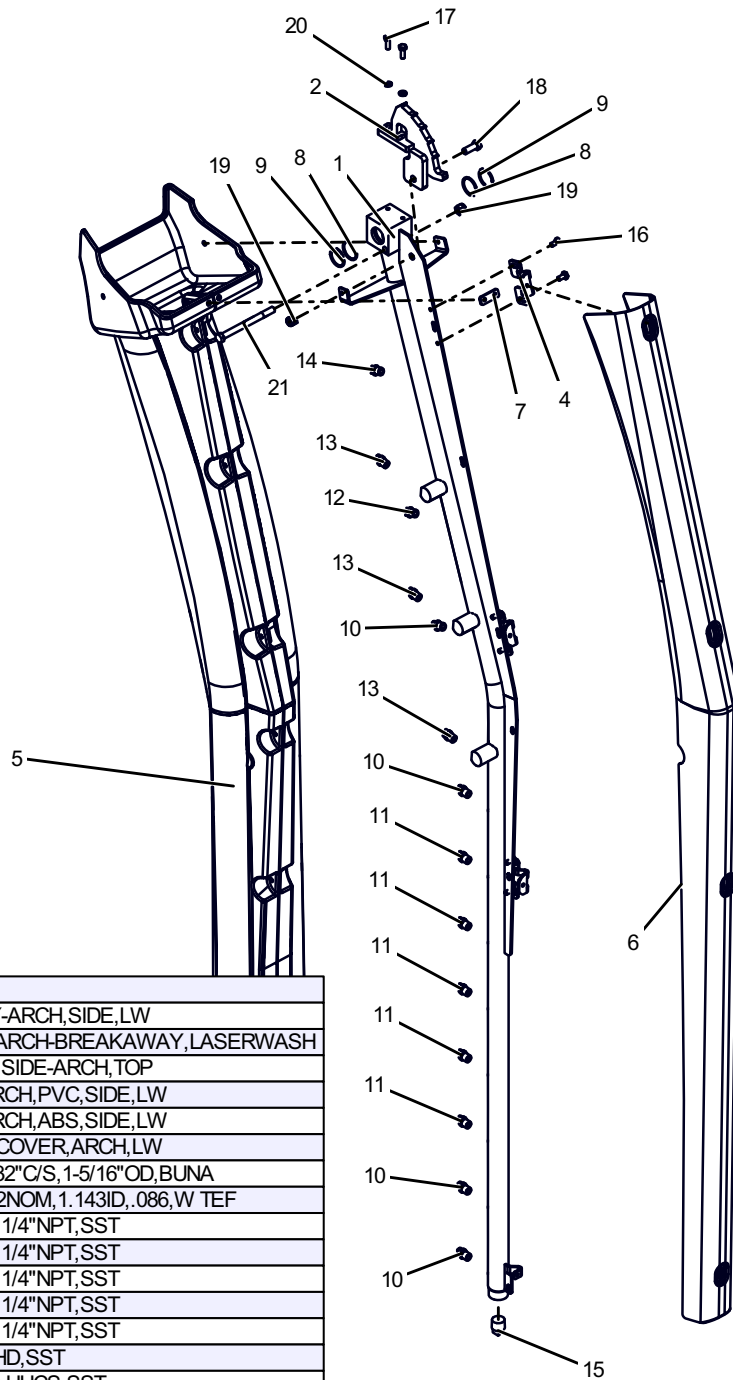
BOM ID	PartNo	Qty	Description
1	03220308	1	MANIFOLD,FOAM,BRIDGE,LW360PLUS
2	03010076	1	VALVE,CHECK,1/4NPT,5PSI,SST
3	03010149	3	VALVE,CHECK,3/8NPT,6500PSI,10.5GPM,SST
4	03010203	1	VALVE,PRESSURE-RELIEF,1/2NPT,200PSI,BR
5	03310038	3	HOSE-BARB,3/8Hx3/8MNPT,SST
6	06500080	1	BRUSH,FOAMER,1.125X5,OVERFLOW
7	24336-PB	1	TUBE-FTG,ELBOW,1/4Tx1/4NPT,PUSH,BRS
8	63142	1	VALVE,CHECK,1/2FPT,3200PSI,LIQ,SST
9	67011-4S	1	NIPPLE,1/4NPTxCLOSE,SC40,SST
10	67012-4S	3	NIPPLE,3/8NPTxCLOSE,SC40,SST
11	67013-4S	1	NIPPLE,1/2NPTxCLOSE,SC40,SST
12	67604-S	1	PLUG,3/4NPT,SQ-HD,SST
13	68117-MHB	1	HOSE-BARB,1/2Hx1/2MNPT,BRS
14	68117-MS	2	HOSE-BARB,1/2Hx1/2MNPT,SST

FOAMING AIR PANEL 11030137



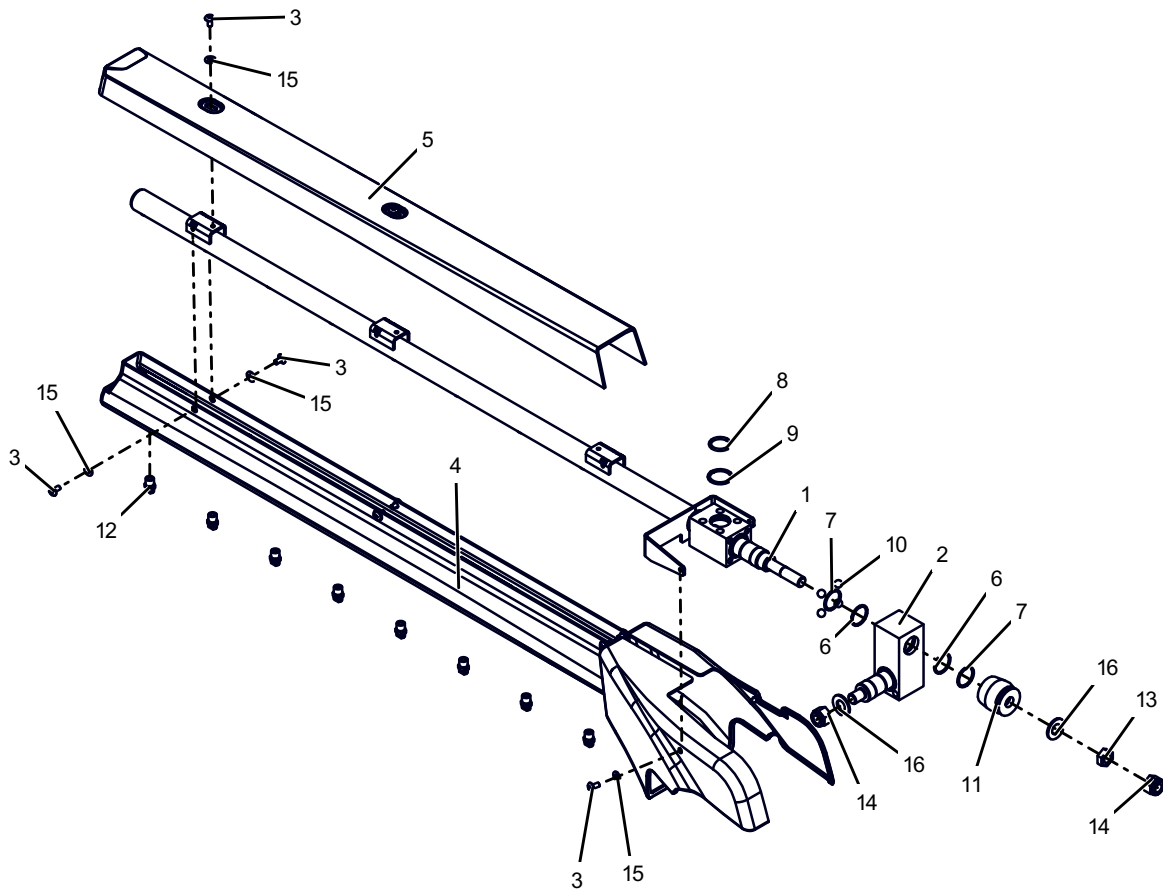
BOM ID	PartNo	Qty	Description
1	06141809	1	BRACKET, VALVE, PROTECTION, AL, LW2020
2	11030166	3	VALVE, AIR, FOAM-PANEL, DBL-ELBOW, LW2020
3	11030167	1	VALVE, AIR, FOAM-PANEL, SGL-ELBOW, LW2020
4	11260122	1	COVER, ASSY, VALVE-PROTECTION, LW360P
5	03010140	4	VALVE, SOL, 2-WAY, NC, 1/4"NPT, 24VAC, BRASS
6	03040036	3	ELBOW, 1/4MNPTx1/4T, DOUBLE, SWIVEL, BR/PLST
7	04450024	4	STRAIN-RELIEF, .138-.315", W/LOCKNUT, NYLON
8	01120008	3	TUBING, 1/4ODx.04W, 230psi@70F, LLDPE, BLUE
9	04080783	4	HARNESS, VALVE, AIR, COMMON, 2020
10	04330010	3	PLUG, HOLE, PG9, NYLON, GREY
11	05020053	3	NUT, PG-9, HEX, LOCK, NYL
12	05040202	4	SCREW, 1/4-20x1.75, PTHMS, SST
13	05050032	2	CLAMP, CABLE, CUSHION, 1-1/4", SST
14	24336-PB	5	TUBE-FTG, ELBOW, 1/4T x 1/4NPT, PUSH, BRS
15	25031	4	GAUGE, PRES, 0-160PSI, 1/8NPT, CBM, 1.50"
16	26160	4	VALVE, REG, 1/4"NPT, 125PSI, W/NUT, MINI
17	26160C	4	1/8NPT PLUG FOR 26160
18	26160E	4	26160E
19	67052-4B	4	NIPPLE, HEX, 1/4NPT, BRS
20	67485-4B	4	ELBOW, STREET, 1/8NPT, 90DEG, SC40, BRS
21	70108-SCS	2	SCREW, 1/4-20x.75, PPHMS, SST
22	71011-NCS	2	NUT, 1/4-20, HEX, LOCK, SST
23	71511-FS	6	WASHER, 1/4, FLAT, SST

SIDE SPRAY ARCH 11130032



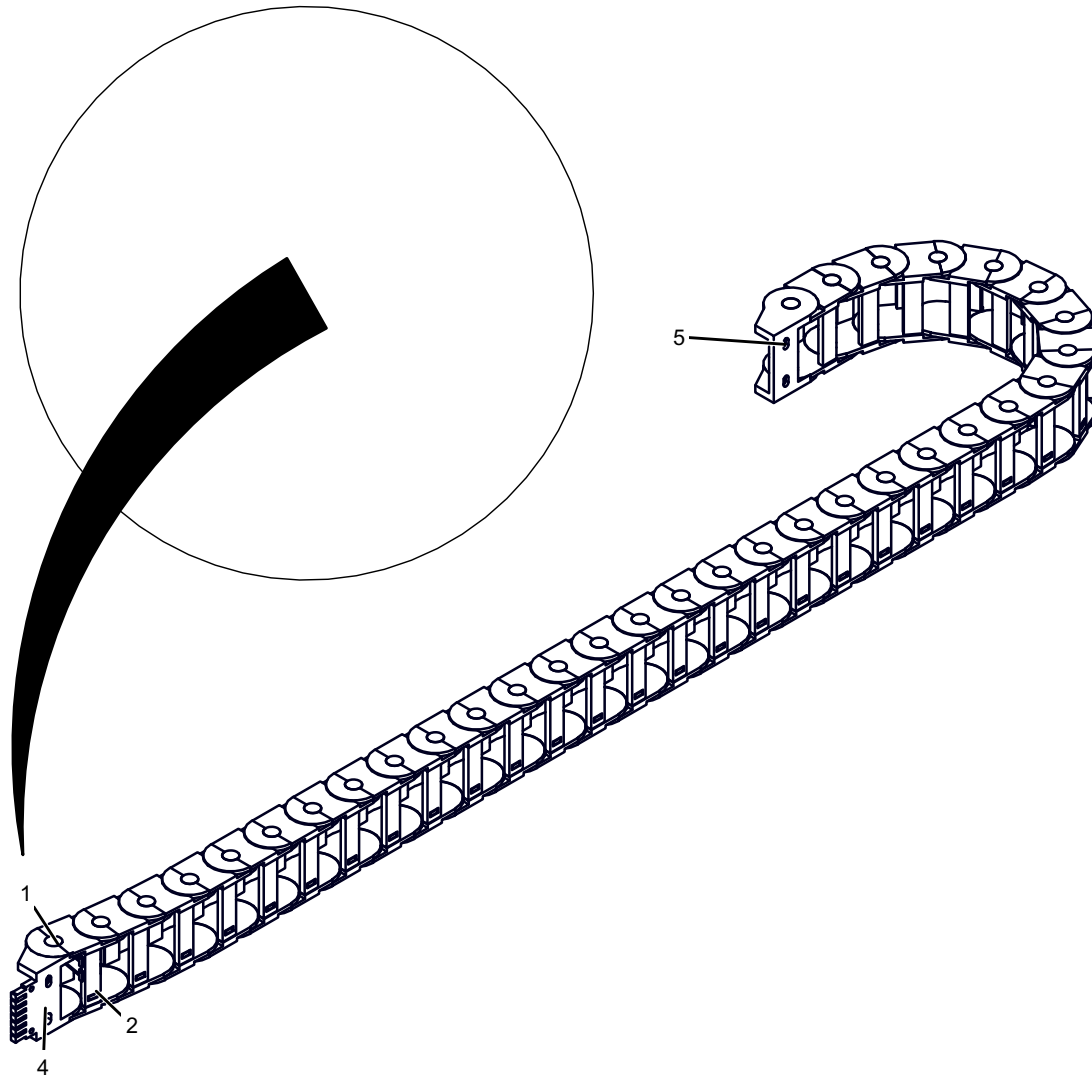
BOM ID	PartNo	Qty	Description
1	03220155	1	MANIFOLD, SPRAY-ARCH, SIDE, LW
2	06140881	1	BRACKET, LATCH, ARCH-BREAKAWAY, LASERWASH
4	06141523	2	BRACKET, COVER, SIDE-ARCH, TOP
5	06160512	1	COVER, SPRAY-ARCH, PVC, SIDE, LW
6	06160514	1	COVER, SPRAY-ARCH, ABS, SIDE, LW
7	06240599	1	PLATE, CLIP, SIDE-COVER, ARCH, LW
8	1-122-B	2	O-RING, 1-1/8"ID, 3/32"C/S, 1-5/16"OD, BUNA
9	1-122BU-T	2	RING, BACKUP, 3/32NOM, 1.143ID, .086, W TEF
10	64080-4M	4	NOZZLE, FAN, 1503, 1/4"NPT, SST
11	64082-4M	5	NOZZLE, FAN, 1504, 1/4"NPT, SST
12	64116-4M	1	NOZZLE, FAN, 2503, 1/4"NPT, SST
13	64118-4M	3	NOZZLE, FAN, 2504, 1/4"NPT, SST
14	64152-4M	1	NOZZLE, FAN, 4003, 1/4"NPT, SST
15	67603-S	1	PLUG, 1/2NPT, SQ-HD, SST
16	70106-HCS	6	SCREW, 1/4-20x.50, HHCS, SST
17	70108-HCS	2	SCREW, 1/4-20x.75, HHCS, SST
18	70180-HCS	1	SCREW, 3/8-16x1.00, HHCS, SST
19	71013-NCS	2	NUT, 3/8-16, HEX, LOCK, SST
20	71511-LS	2	WASHER, 1/4, LOCK, SST
21	M690001	1	BOLT, SHEAR, 3/8-16x4.50, SST, LW4K-ARCH

TOP ARCH 11130033



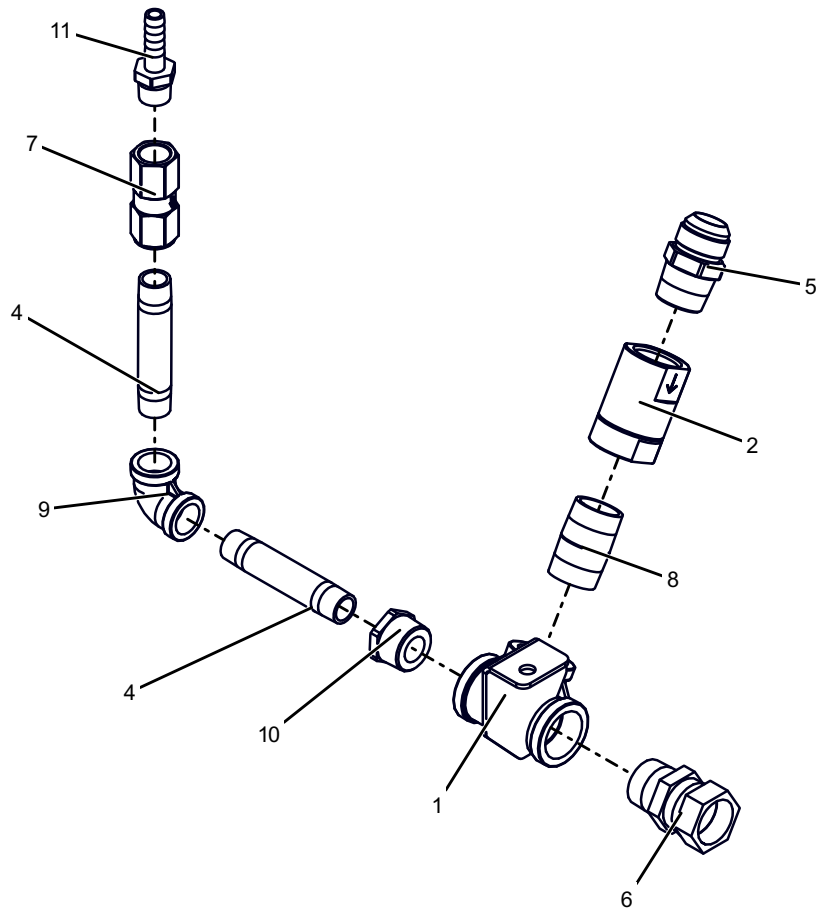
BOM ID	PartNo	Qty	Description
1	03220157	1	MANIFOLD, SPRAY-ARCH, TOP, LW
2	M360001	1	SWIVEL, WELDED, BLOCK, SST
3	05040260	10	SCREW, 1/4-20x.50, PTHMS, SST
4	06160513	1	COVER, SPRAY-ARCH, PVC, TOP, LW
5	06160515	1	COVER, SPRAY-ARCH, ABS, TOP, LW
6	1-122-B	2	O-RING, 1-1/8"ID, 3/32"C/S, 1-5/16"OD, BUNA
7	1-122BU-T	2	RING, BACKUP, 3/32NOM, 1.143ID, .086, W TEF
8	1-217-B	1	O-RING, 1-3/16x1/8, BUNA
9	1-217BU-T	1	RING, BACKUP, 1/8"NOM, 1.203"ID, .118"W TEF
10	11825	4	BALL, 7/16", 440 SST
11	15087	1	BUMPER, COMPRESSION, 1.95x1.78, ELASTOMER
12	64082-4M	8	NOZZLE, FAN, 1504, 1/4"NPT, SST
13	71017-JCS	1	NUT, 5/8-11, HEX, JAM, SST
14	71017-NCS	2	NUT, 5/8-11, HEX, LOCK, SST
15	71511-FS	10	WASHER, 1/4, FLAT, SST
16	71517-FS	2	WASHER, 5/8, FLAT, SST

TROLLEY ECHAIN 06050125



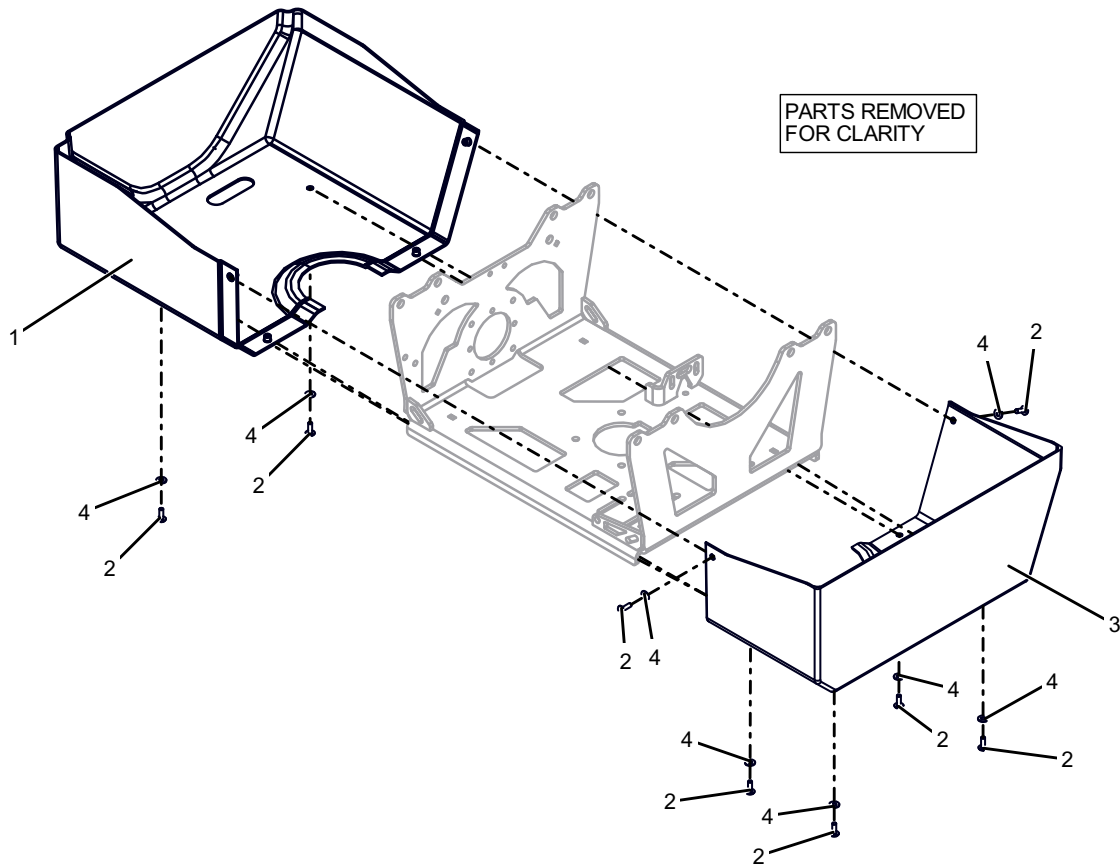
BOM ID	PartNo	Qty	Description
1	06050077	2	SEPARATOR, VERTICAL, E-CHAIN, IGUS#311
2	06050085	32	LINK, E-CHAIN, DOOR-OUT, IGUS, 350-075-125
4	06050113	1	BRACKET, E-CHAIN, W/PIN, PIVOTING, TRLY, LW
5	06050114	1	BRACKET, E-CHAIN, W/BORE, LOCKING, TRLY, LW

TROLLEY FEED MANIFOLD 11250403



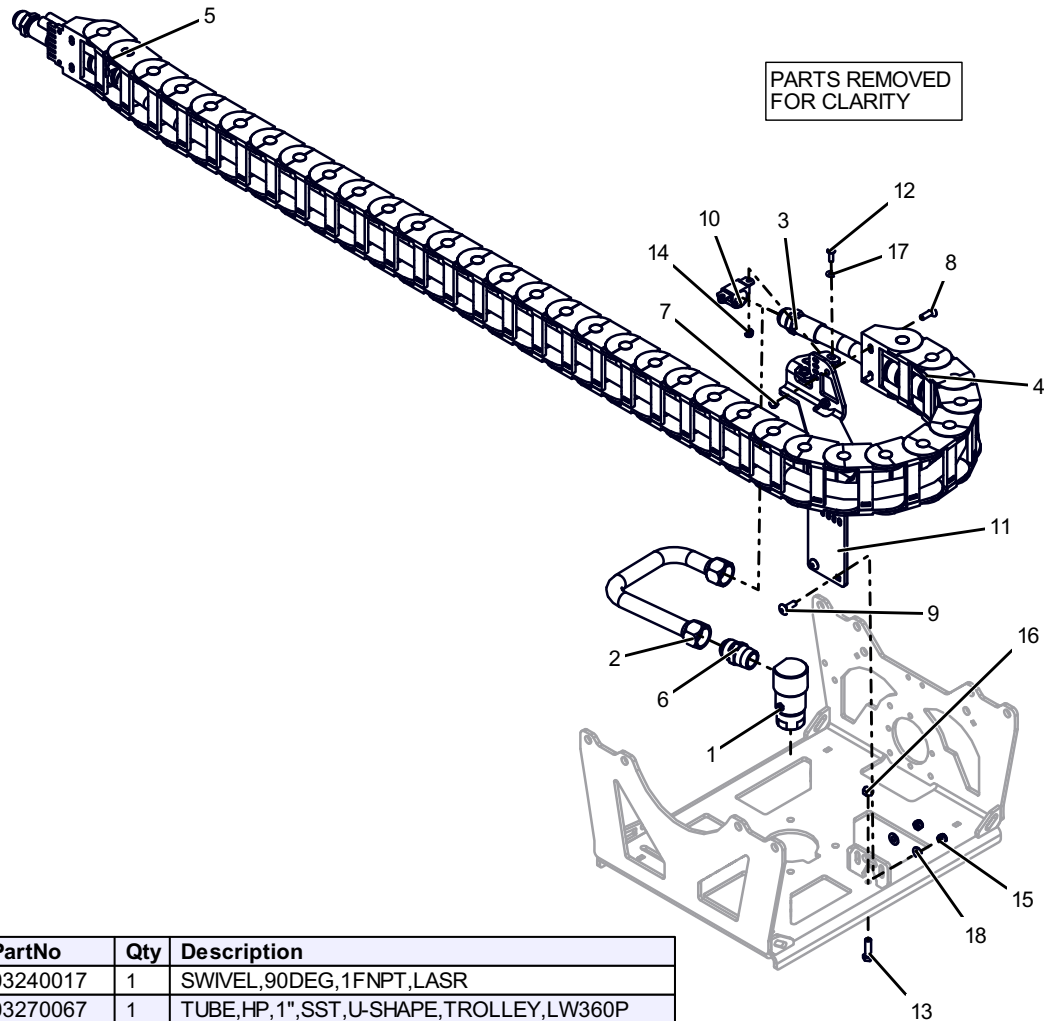
BOM ID	PartNo	Qty	Description
1	03050033	1	TEE, 1"NPT, W/HP-MOUNT-TAB, SST, LW20
2	03010193	1	VALVE, CHECK, 1"NPT, SST, HIGH-PRESSURE
4	03130074	2	NIPPLE, 1/2NPTx4.00, SC40, SST
5	03140044	1	ADAPTER, #16-MJICx1MPT, Z-PLT
6	03140061	1	ADAPTER, 1MNPTx#16JIC, SWIVEL, PLTS
7	63142	1	VALVE, CHECK, 1/2FPT, 3200PSI, LIQ, SST
8	67015-B4S	1	NIPPLE, 1NPTx2.00, SC40, SST
9	67406-4S	1	ELBOW, 1/2NPT, 90DEG, SC40, SST, SP114
10	67713-S	1	BUSHING, 1NPTx1/2NPT, SST
11	68117-MS	1	HOSE-BARB, 1/2Hx1/2MNPT, SST

TROLLEY COVER ASSEMBLY 11220059



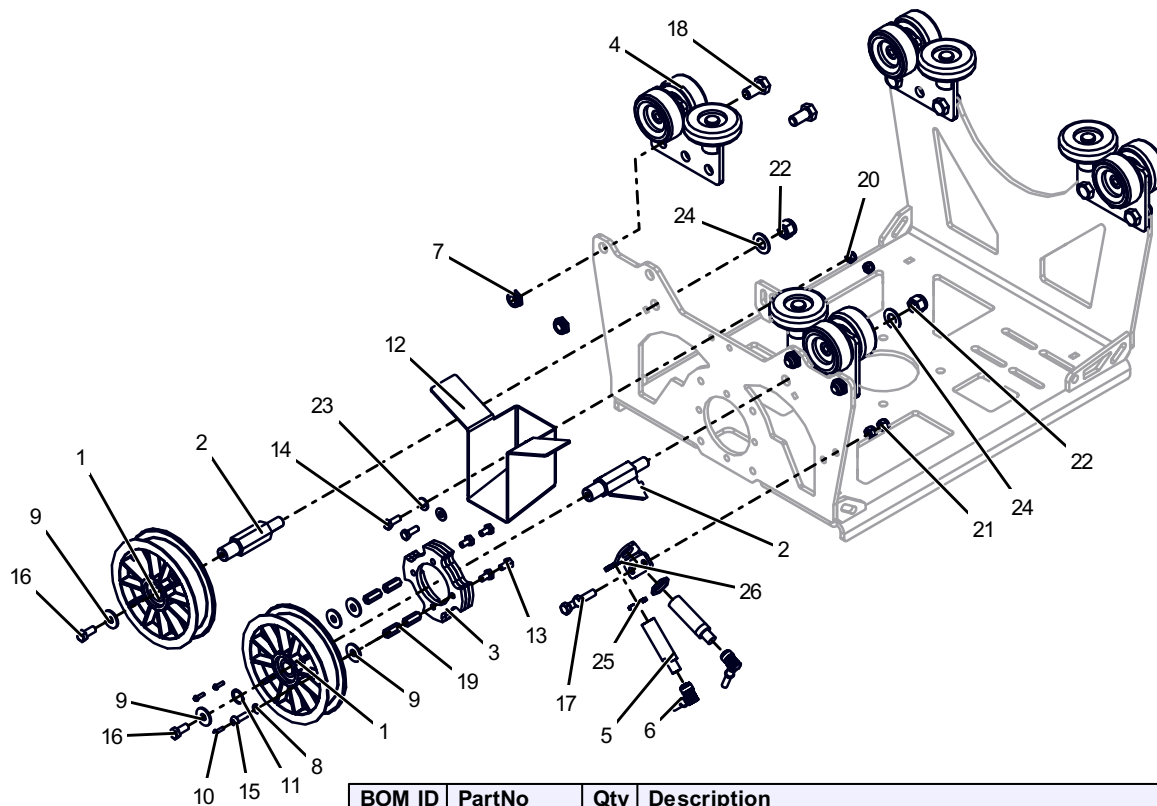
BOM ID	PartNo	Qty	Description
1	06160481	1	COVER,TROLLEY,EXIT,WHITE,ABS,LW360
2	05040133	8	SCREW,1/4-20x.75,PTHMS,SST
3	06160480	1	COVER,TROLLEY,ENTRANCE,WHITE,ABS,LW360P
4	71511-FS	8	WASHER,1/4,FLAT,SST

TROLLEY ECHAIN ASSEMBLY 11220059



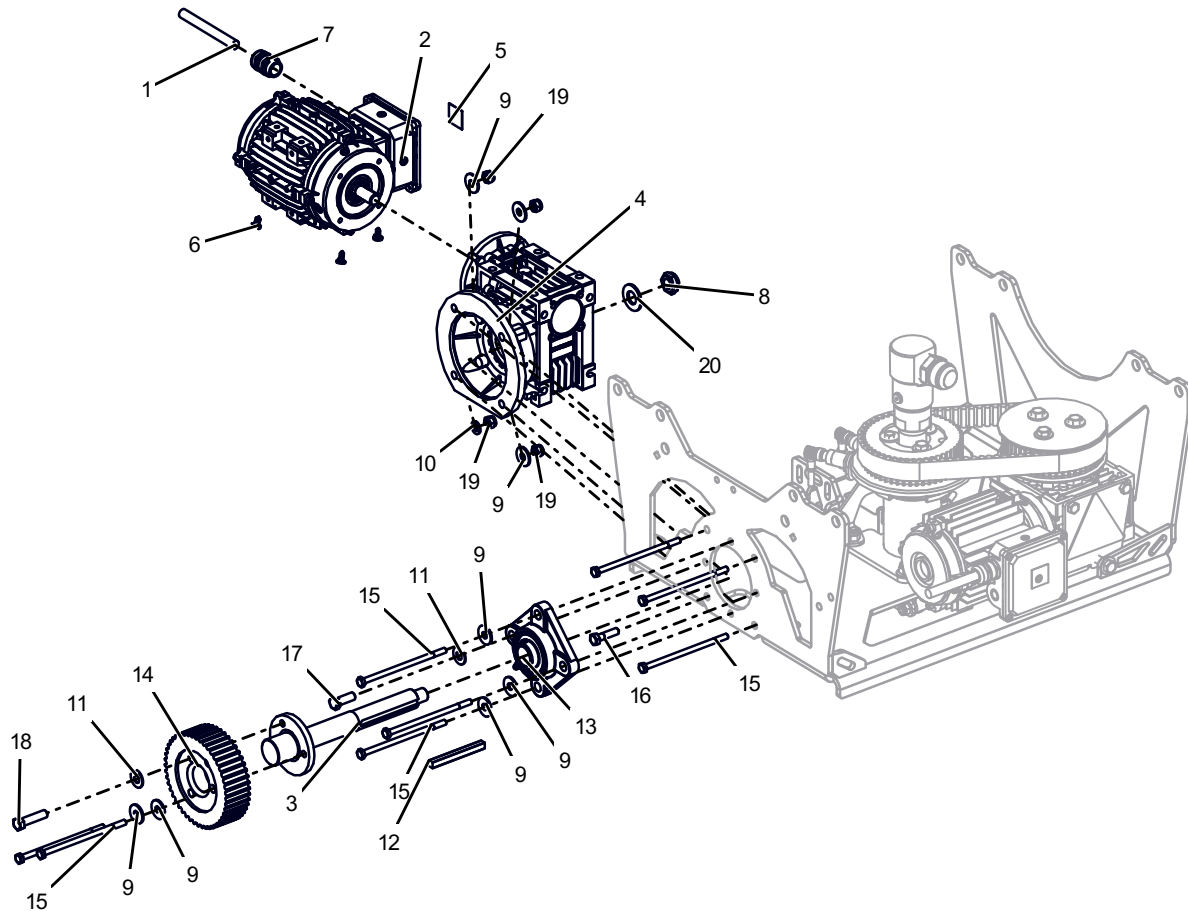
BOM ID	PartNo	Qty	Description
1	03240017	1	SWIVEL,90DEG,1FNPT,LASR
2	03270067	1	TUBE,HP,1",SST,U-SHAPE,TROLLEY,LW360P
3	03340133	1	HOSE,TROLLEY,HP,3/4x101.00",SPIRAL,LW360
4	06050125	1	E-CHAIN,TROLLEY,32-LINK,IGUS,LW360P
5	01120012	2	TUBING,5/8ODx1/2ID,POLYETHYLENE
6	03140044	1	ADAPTER,#16-MJICx1MPT,Z-PLT
7	05020017	2	NUT,M8,HEX,LOCK,SST
8	05040097	2	SCREW,M8x25mm,PFHMS,SST
9	05040262	2	BOLT,5/16-18x1.00,CARRIAGE,SST
10	05050091	1	CLAMP,PIPE,3/4,VIBRATION-DAMP,SST/TPR
11	06141692	1	BRACKET,E-CHAIN,TROLLEY,SST,LW19
12	70108-SCS	2	SCREW,1/4-20x.75,PPHMS,SST
13	70181-HCS	1	SCREW,3/8-16x1.25,HHCS,SST
14	71011-NCS	2	NUT,1/4-20,HEX,LOCK,SST
15	71012-NCS	2	NUT,5/16-18,HEX,LOCK,SST
16	71013-HCS	1	NUT,3/8-16,HEX,SST
17	71511-FS	2	WASHER,1/4,FLAT,SST
18	71512-FS	2	WASHER,5/16,FLAT,SST

TROLLEY IDLERS TRUCKS 11220059



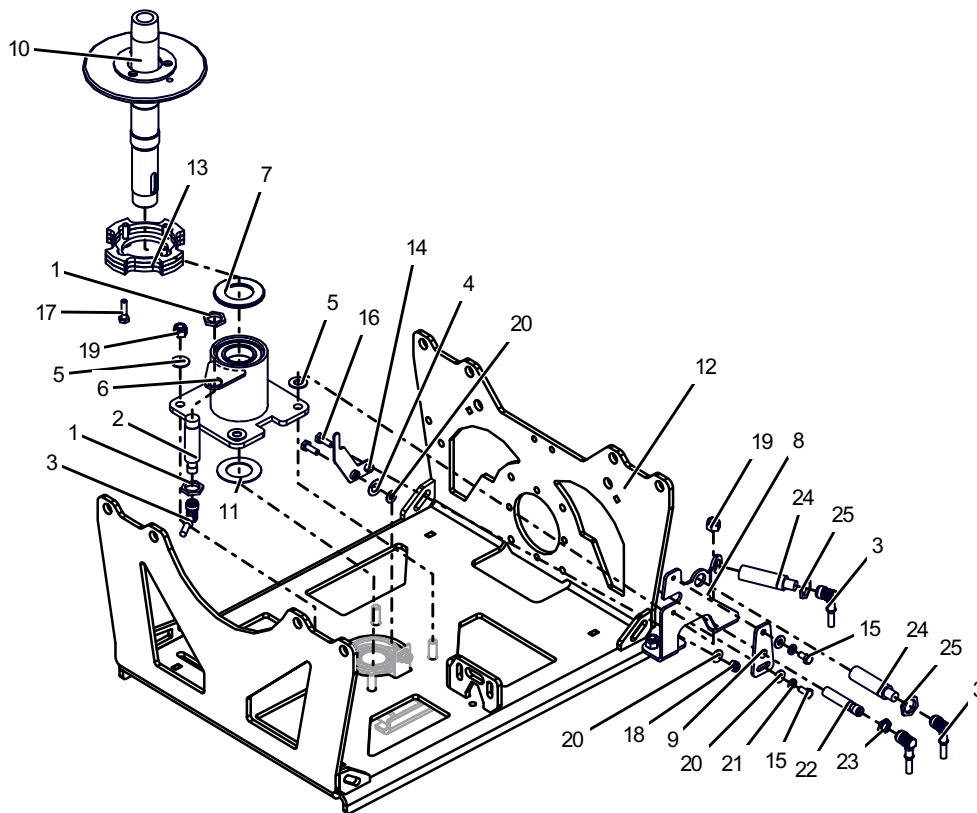
BOM ID	PartNo	Qty	Description
1	06030052	2	PULLEY, IDLER, 5.0"X1.00", FLAT, PLSTC
2	06150195	2	SHAFT, IDLER, DBL-BEARING, PUL, W/GUSSET
3	06480063	1	FLAG, PULSE, NAVIG, SST, WELDMENT, LW360PLUS
4	11150051	4	TRUCK, TROLLEY, SIDE-BRUSH, ICON
5	93021	2	PROX, 18mm, SHLD, 10-30VDC, NPN, LONG
6	04080093	2	CORDSET, 12mm, 3/20AWG, 90°, 6m
7	05020076	8	NUT, 1/2-13, HEX, LOCK, JAM, SST
8	05030016	1	WASHER, M6, FLAT, SST
9	05030018	5	WASHER, M8, FENDER, SST
10	05040194	3	SCREW, #6-32X.50, STHMS, SST
11	05120030	1	RETAINING-RING, 17mm, EXT, SST
12	06160479	1	COVER, TROLLEY, DRIVE, AL, LW360P
13	70106-HCS	4	SCREW, 1/4-20x.50, HHCS, SST
14	70108-HCS	2	SCREW, 1/4-20x.75, HHCS, SST
15	70108-SCS	1	SCREW, 1/4-20x.75, PPHMS, SST
16	70143-HCS	2	SCREW, 5/16-18x.75, HHCS, SST
17	70145-HCS	2	SCREW, 5/16-18x1.00, HHCS, SST
18	70255-HCS	8	SCREW, 1/2-13x1.00, HHCS, SST
19	71011-CCS	3	NUT, 1/4-20, CPLG, SST
20	71011-NCS	2	NUT, 1/4-20, HEX, LOCK, SST
21	71012-NCS	2	NUT, 5/16-18, HEX, LOCK, SST
22	71015-NCS	2	NUT, 1/2-13, HEX, LOCK, SST
23	71511-FS	2	WASHER, 1/4, FLAT, SST
24	71515-FS	2	WASHER, 1/2, FLAT, SST, MIL-SPEC
25	93021B	2	NUT, LOCKING, PROX, 18mm - COMES WITH PROX
26	06141284	1	BRACKET, PROX-MOUNT, NAVIG, TROLLEY, LW360P

TROLLEY DRIVE 11220059



BOM ID	PartNo	Qty	Description
1	04080755	1	HARNES, MOTOR, TROLLEY-DRV, SHLD, LW20
2	04120068	1	MOTOR, .5HP, 1680, IEC71, 208/460, TENV, FL
3	06150184	1	SHAFT, DRIVE, TROLLEY/BRIDGE, WELDM, LW360P
4	06280065	1	GEARBOX, RTANG, 20:1, IEC71, MRVC
5	02240027	1	LABEL, 1x1, DANGER-HIGH-VOLTAGE
6	03080035	3	PLUG, DRAIN, MOTOR, PP-PLASTIC
7	04450023	1	STRAIN-RELIEF, M20, .276-.492", GND-CONN
8	05020077	1	NUT, 5/8-11, HEX, LOCK, JAM, SST
9	05030018	8	WASHER, M8, FENDER, SST
10	05030022	1	WASHER, M8, FLAT, SST
11	05030067	2	WASHER, 3/8, FLAT, 7/8-OD, .050THK, SST
12	05120029	1	KEY, 8x7x80mm, 18-8-SST, UNDERSIZED
13	06010075	1	BEARING, FLANGE, 4BOLT, 1.000"BORE, SST, ABT
14	06030058	1	PULLEY, TIMING, 8M, 48T, .25W, PLASTIC, LW20
15	70126-HCS	8	SCREW, 1/4-20x5.00, HHCS, SST
16	70146-HCS	1	SCREW, 5/16-18x1.25, HHCS, SST
17	70180-HCS	1	SCREW, 3/8-16x1.00, HHCS, SST
18	70182-HCS	1	SCREW, 3/8-16x1.50, HHCS, SST
19	71012-NCS	4	NUT, 5/16-18, HEX, LOCK, SST
20	71517-FS	1	WASHER, 5/8, FLAT, SST

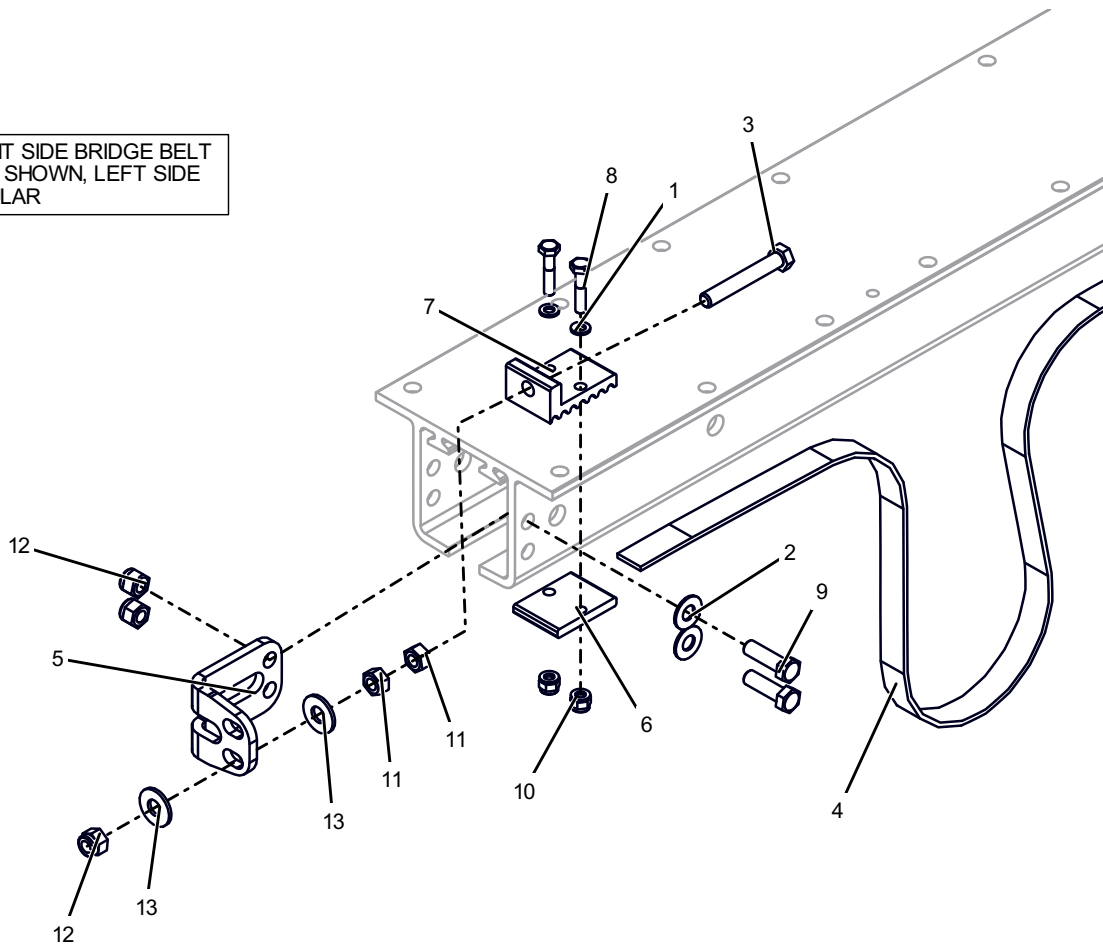
TROLLEY ARCH SHAFT SENSOR 11220059



BOM ID	PartNo	Qty	Description
1	01234567	2	DESCRIPTION23456789012345678901234567890
2	04070025	1	PROX,18mm,12-24VDC,ANALOG,UNSLD
3	04080093	4	CORDSET,12mm,3/20AWG,90°,6m
4	05030066	1	WASHER,WAVE,.46"IDx.85"OD,SST
5	05030067	4	WASHER,3/8,FLAT,7/8-OD,.050THK,SST
6	06050124	1	HOUSING,BEARING,ARCH-ROT,PROX-MNT,LW360P
7	06070049	1	SEAL,LIP,ARCH-ROTATE-SHAFT,38x62x4mmTALL
8	06141293	1	BRACKET,SENSOR,ARCH,ROTATE/IMPACT,LW360P
9	06141297	1	BRACKET,PROX,ARCH-IMPACT,ADJUST,LW360P
10	06150183	1	SHAFT,ARCH-ROTATE,HOLLOW,WELD,SST,LW360P
11	06200069	1	WASHER,THRUST,1.25x2.13x.0585,PLSTC
12	06250179	1	FRAME,TROLLEY,SPRAY-ARCH,WELDMENT,LW20
13	06480063	1	FLAG,PULSE,NAVIG,SST,WELDMENT,LW360PLUS
14	06480066	1	FLAG,ARCH-IMPACT,PIVOTING,LEFT,LW360P
15	70106-HCS	2	SCREW,1/4-20x.50,HHCS,SST
16	70108-HCS	2	SCREW,1/4-20x.75,HHCS,SST
17	70110-HCS	4	SCREW,1/4-20x1.00,HHCS,SST
18	71011-NCS	1	NUT,1/4-20,HEX,LOCK,SST
19	71013-NCS	4	NUT,3/8-16,HEX,LOCK,SST
20	71511-FS	4	WASHER,1/4,FLAT,SST
21	71511-LS	2	WASHER,1/4,LOCK,SST
22	93020	1	PROX,12mm,SHLD,10-30VDC,NPN
23	93020B	1	PROX,12mm,SHLD,10-30VDC,NPN
24	93021	2	PROX,18mm,SHLD,10-30VDC,NPN,LONG
25	93021B	2	NUT,LOCKING,PROX,18mm - COMES WITH PROX

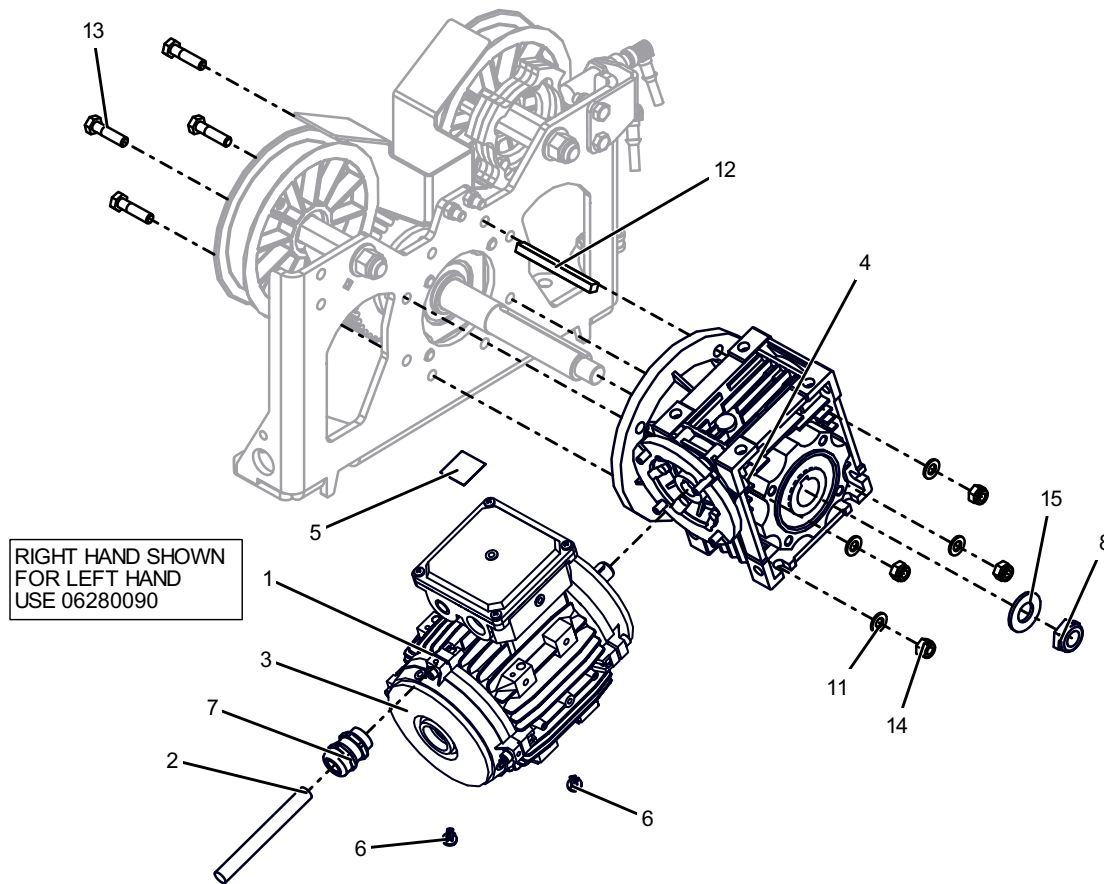
BRIDGE BELT 11170027

RIGHT SIDE BRIDGE BELT
SIDE SHOWN, LEFT SIDE
SIMILAR



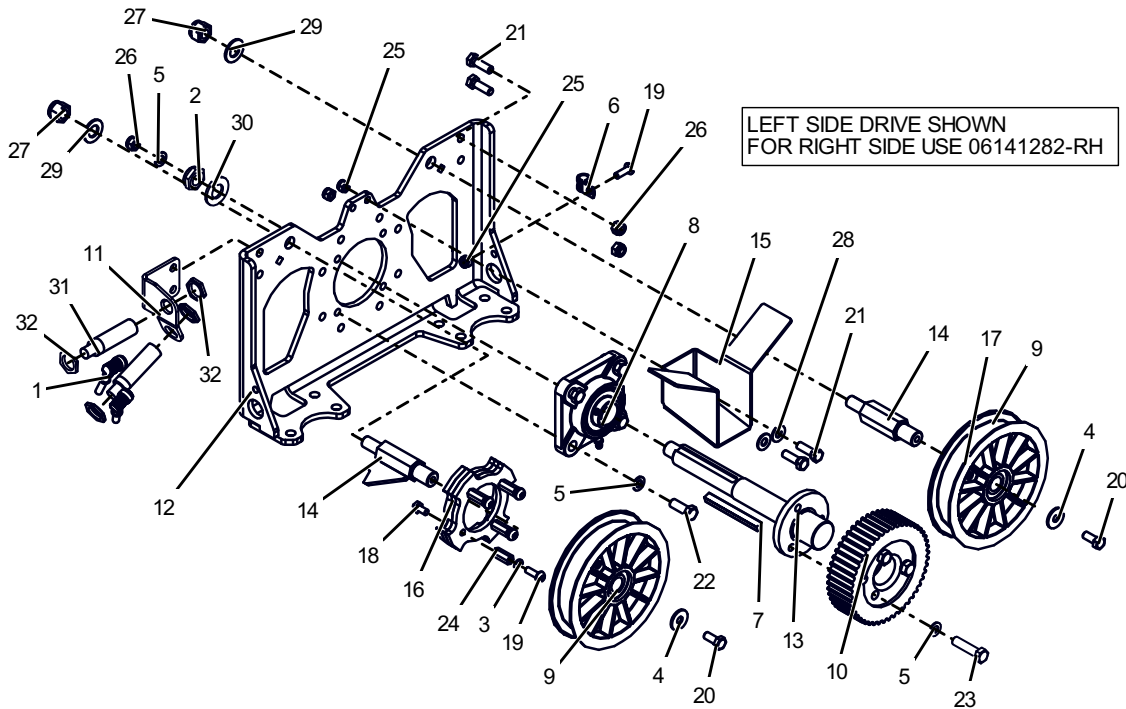
BOM ID	PartNo	Qty	Description
1	05030016	4	WASHER,M6,FLAT,SST
2	05030067	2	WASHER,3/8,FLAT,7/8-OD,.050THK,SST
3	05040273	1	SCREW,3/8-16x2.50,HHCS,FULL-THD,SST
4	06020055	1	BELT,HTD-8M,20MM,SINGLE-TROLLEY-DRIVE
5	06141690	1	BRACKET,BELT-TENSION,TROLLEY,SST,LW20
6	06160473	1	COVER,BELT,RETAINER,MAX20mmWIDTH
7	06340042	1	BLOCK,BELT-RETAINER,8mmPITCH,20mmWIDE
8	70111-HCS	2	SCREW,1/4-20x1.25,HHCS,SST
9	70181-HCS	2	SCREW,3/8-16x1.25,HHCS,SST
10	71011-NCS	2	NUT,1/4-20,HEX,LOCK,SST
11	71013-HCS	2	NUT,3/8-16,HEX,SST
12	71013-NCS	3	NUT,3/8-16,HEX,LOCK,SST
13	71513-FS	2	WASHER,3/8,FLAT,1-OD,.083THK,SST

BRIDGE DRIVE GEAR BOX 11170027 06280090



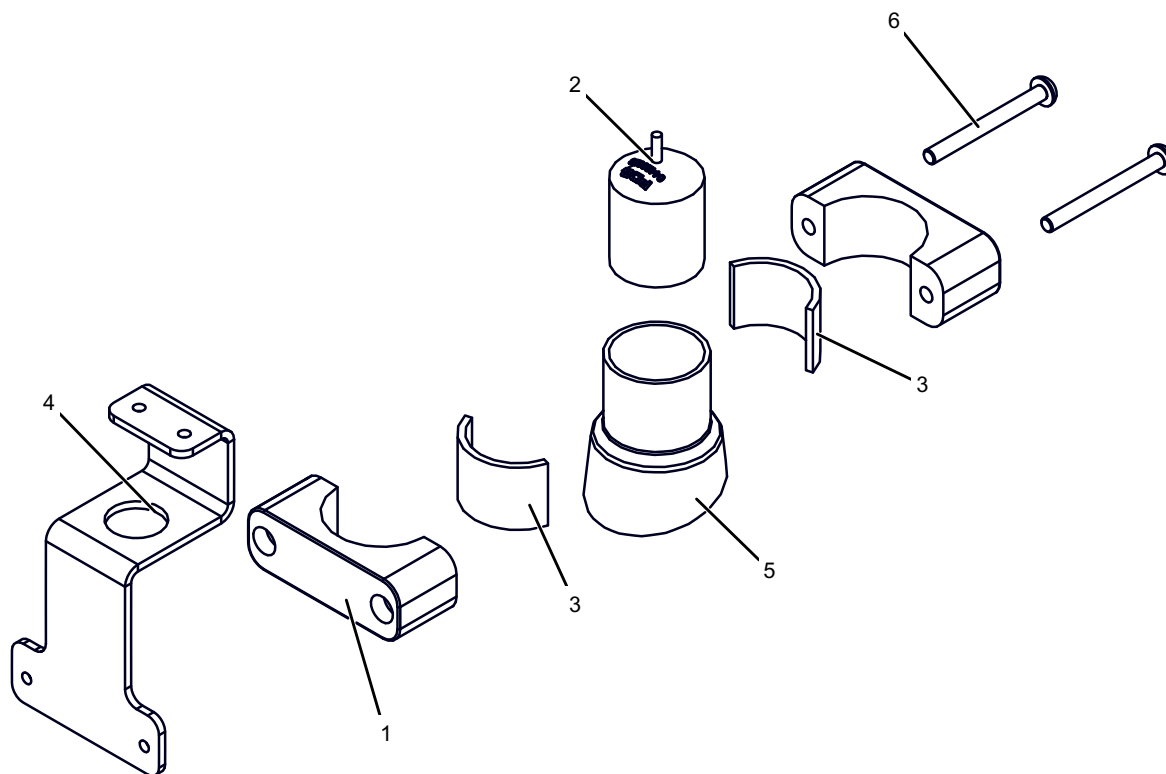
BOM ID	PartNo	Qty	Description
1	06280089	1	GEARBOX-MOTOR,BRIDGE,RH-DR,LW20
2	04080757	1	HARNESS,MOTOR,BRIDGE,RH-DRIVE,SHLD,LW20
3	04120068	1	MOTOR,.5HP,1680,IEC71,208/460,TENV,FL
4	06280065	1	GEARBOX,RTANG,20:1,IEC71,MRVC
5	02240027	1	LABEL,1x1,DANGER-HIGH-VOLTAGE
6	03080035	2	PLUG,DRAIN,MOTOR,PP-PLASTIC
7	04450023	1	STRAIN-RELIEF,M20,.276-.492",GND-CONN
8	05020077	1	NUT,5/8-11,HEX,LOCK,JAM,SST
11	05030022	4	WASHER,M8,FLAT,SST
12	05120029	1	KEY,8x7x80mm,18-8-SST,UNDERSIZED
13	70146-HCS	4	SCREW,5/16-18x1.25,HHCS,SST
14	71012-NCS	4	NUT,5/16-18,HEX,LOCK,SST
15	71517-FS	1	WASHER,5/8,FLAT,SST

BRIDGE DRIVE 11170027



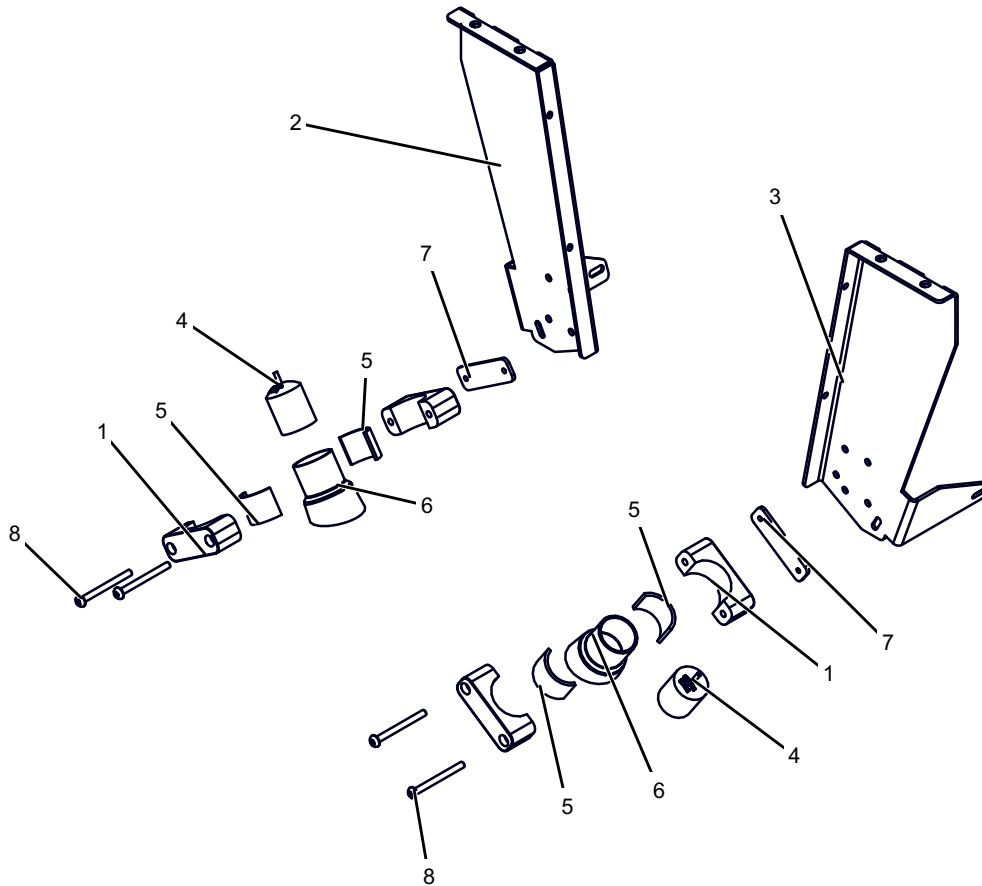
BOM ID	PartNo	Qty	Description
1	04080390	2	CORDSET, 12mm, 3/20AWG, 90°, 3m
2	05020077	1	NUT, 5/8-11, HEX LOCK, JAM, SST
3	05030016	4	WASHER, M6, FLAT, SST
4	05030018	2	WASHER, M8, FENDER, SST
5	05030022	6	WASHER, M8, FLAT, SST
6	05050049	1	CLAMP, CUSHION, 3/8", SST
7	05120029	1	KEY, 8x7x80mm, 18-8-SST, UNDERSIZED
8	06010075	1	BEARING, FLANGE, 4BOLT, 1.000" BORE, SST, ABT
9	06030052	2	PULLEY, IDLER, 5.0" X 1.00", FLAT, PLSTC
10	06030058	1	PULLEY, TIMING, 8M, 48T, 25W, PLASTIC, LW20
11	06141282-RH	1	BRACKET, PROX-MOUNT, NAV, RH, BRIDGE, LW360P
12	06141678	1	BRACKET, DRIVE, END-PLATE, BRIDGE, LW20
13	06150184	1	SHAFT, DRIVE, TROLLEY/BRIDGE, WELDM, LW360P
14	06150195	2	SHAFT, IDLER, DBL-BEARING, PUL, W/GUSSET
15	06160591	1	COVER, SHIELD, DRIVE, AL, LW20
16	06480063	1	FLAG, PULSE, NAVIG, SST, WELDMENT, LW360PLUS
17	11150064	1	ROLLER, IDLER-ASM, DBL-BEARING, PULLEY
18	70106-HCS	4	SCREW, 1/4-20x.50, HHCS, SST
19	70108-SCS	5	SCREW, 1/4-20x.75, PPHMS, SST
20	70143-HCS	2	SCREW, 5/16-18x.75, HHCS, SST
21	70145-HCS	4	SCREW, 5/16-18x1.00, HHCS, SST
22	70180-HCS	4	SCREW, 3/8-16x1.00, HHCS, SST
23	70182-HCS	3	SCREW, 3/8-16x1.50, HHCS, SST
24	71011-CCS	4	NUT, 1/4-20, CPLG, SST
25	71011-NCS	3	NUT, 1/4-20, HEX LOCK, SST
26	71012-NCS	3	NUT, 5/16-18, HEX LOCK, SST
27	71015-NCS	2	NUT, 1/2-13, HEX LOCK, SST
28	71512-FS	2	WASHER, 5/16, FLAT, SST
29	71515-FS	2	WASHER, 1/2, FLAT, SST, MIL-SPEC
30	71517-FS	1	WASHER, 5/8, FLAT, SST
31	93021	2	PROX, 18mm, SHLD, 10-30VDC, NPN, LONG
32	93021B	4	NUT, LOCKING, PROX, 18mm - COMES WITH PROX

STOP ULTRASONIC SENSORS 11410028



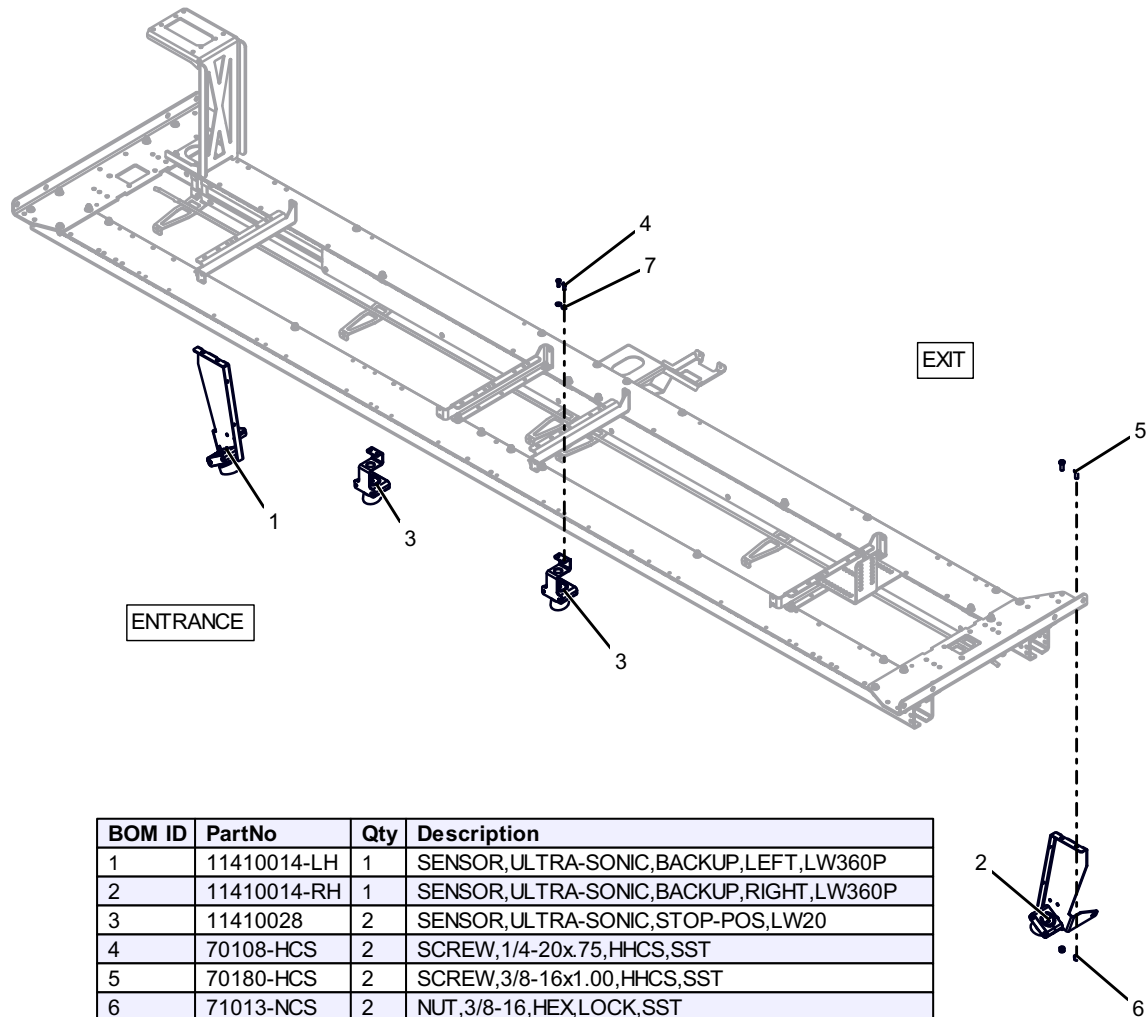
BOM ID	PartNo	Qty	Description
1	05050067	1	CLAMP, PIPE, 1-1/2, PP, STANDARD
2	04420026	1	SENSOR, ULTRASONIC, 75kHz, 15'CBL, 1.5"DIA
3	06060027	2	CUSHION, 1/8THK, ULTRASONIC-MOUNT, SILICONE
4	06141755	1	BRACKET, ULTRA-SONIC, VERT, SST, SST, LW20
5	06160293	1	COVER, SENSOR-SHIELD, 2X2.75", GRAY, VINYL
6	70116-SCS	2	SCREW, 1/4-20x2.50, PPHMS, SST

BACKUP ULTRASONIC SENSORS 11410014



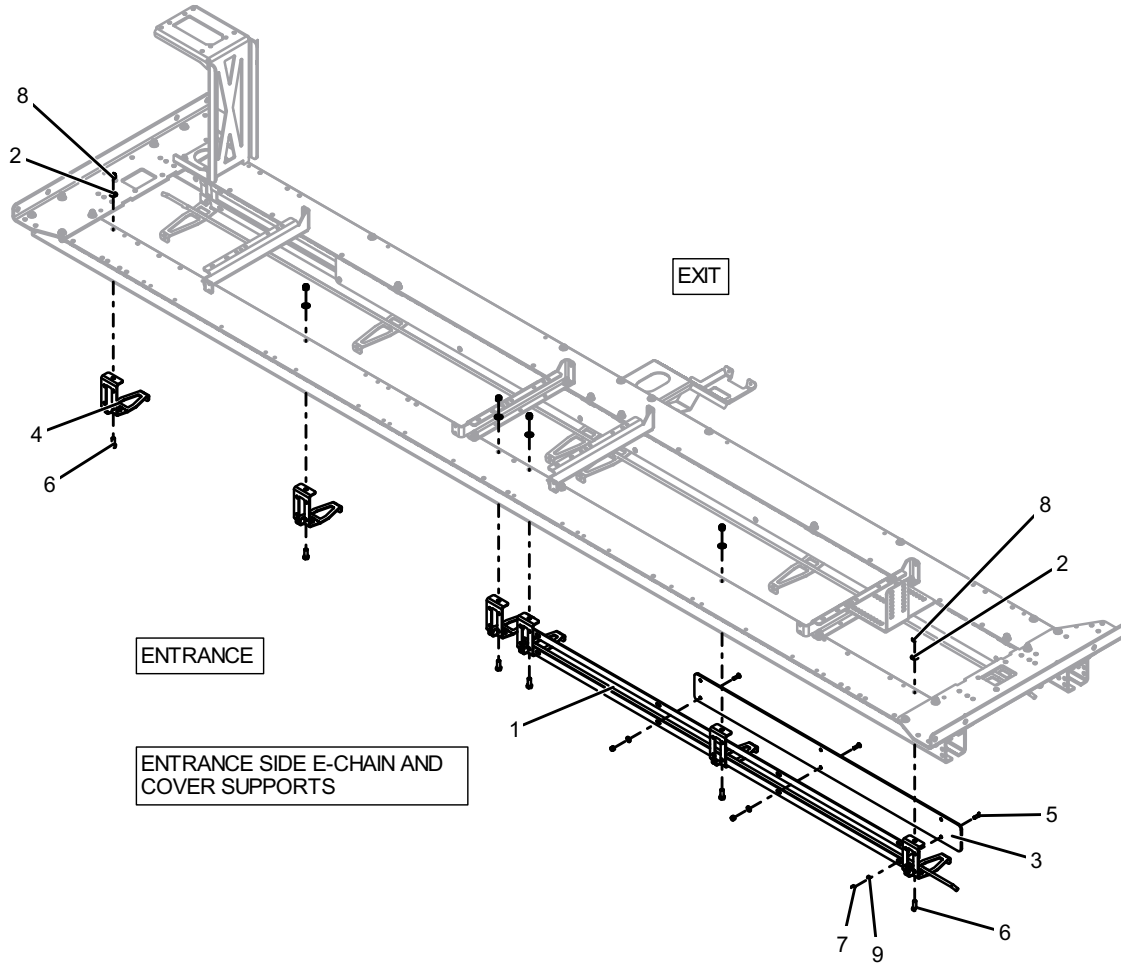
BOM ID	PartNo	Qty	Description
1	05050067	2	CLAMP,PIPE,1-1/2,PP,STANDARD
2	06141286-LH	1	BRACKET,ULTRASONIC,MNT,LEFT,SST,LW360P
3	06141286-RH	1	BRACKET,ULTRASONIC,MNT,RIGHT,SST,LW360P
4	04420026	2	SENSOR,ULTRASONIC,75kHz,15'CBL,1.5"DIA
5	06060027	4	CUSHION,1/8THK,ULTRASONIC-MOUNT,SILICONE
6	06160293	2	COVER,SENSOR-SHIELD,2X2.75",GRAY,VINYL
7	06240891	2	PLATE,BACKING,1-1/2-PIPE-CLAMP,TOP,SST
8	70117-SCS	4	SCREW,1/4-20x2.75,SRHMS,SST

ULTRASONIC SENSORS 11441114 11410028



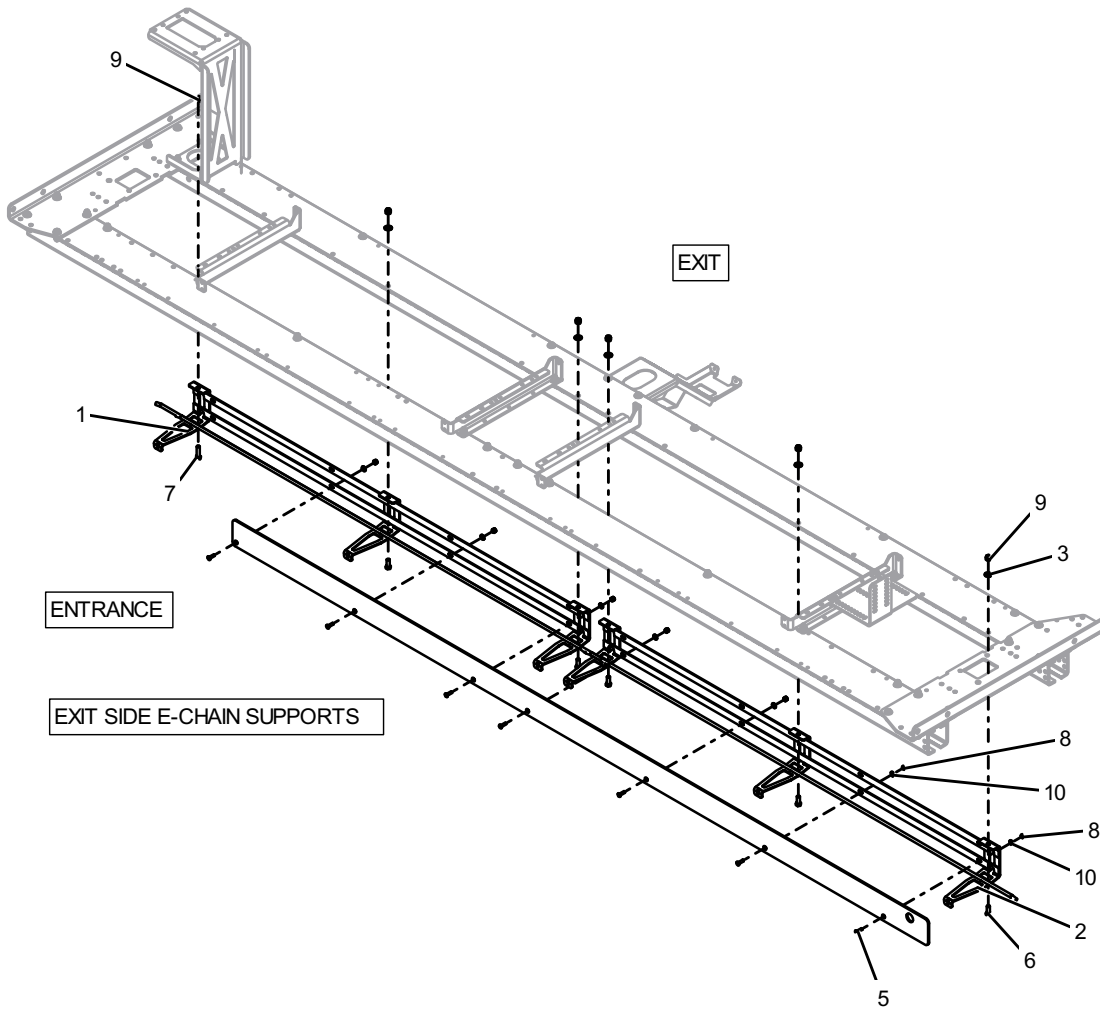
BOM ID	PartNo	Qty	Description
1	11410014-LH	1	SENSOR,ULTRA-SONIC,BACKUP,LEFT,LW360P
2	11410014-RH	1	SENSOR,ULTRA-SONIC,BACKUP,RIGHT,LW360P
3	11410028	2	SENSOR,ULTRA-SONIC,STOP-POS,LW20
4	70108-HCS	2	SCREW,1/4-20x.75,HHCS,SST
5	70180-HCS	2	SCREW,3/8-16x1.00,HHCS,SST
6	71013-NCS	2	NUT,3/8-16,HEX,LOCK,SST
7	71511-FS	2	WASHER,1/4,FLAT,SST

ENTRANCE SIDE ECHAIN COVER SUPPORTS 11080133



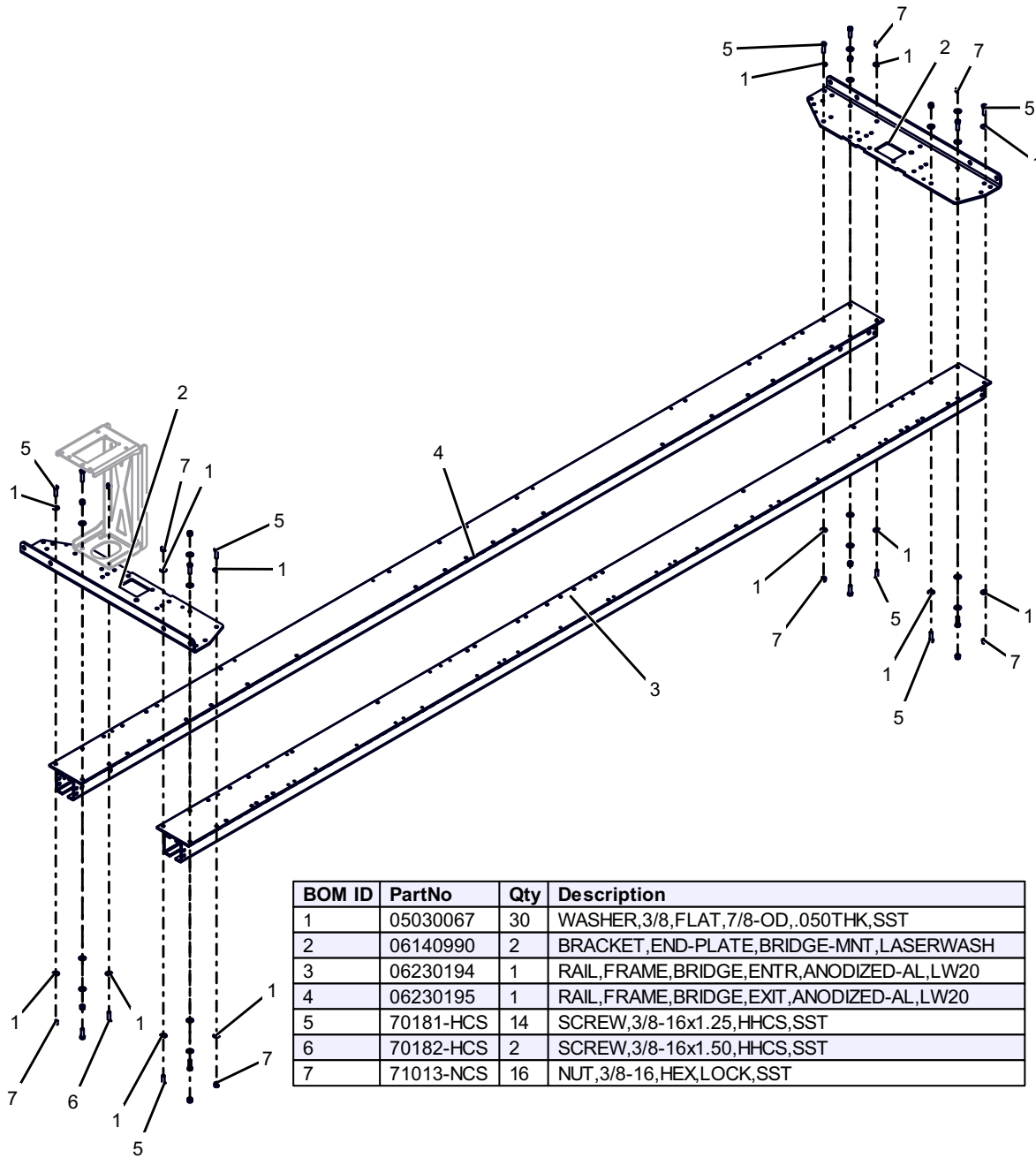
BOM ID	PartNo	Qty	Description
1	06240886-RH	1	TRAY,E-CH,TRLY,ENTR-RH,SST,360P/TDMSL
2	05030067	6	WASHER,3/8,FLAT,7/8-OD,.050THK,SST
3	06010068	1	WEAR-STRIP,UHMW,TRLY,SIDE,ENT,LW360P
4	06141322	3	BRACKET,TRAY,ECHAIN,TROLLEY,EXIT,LW360P
5	70108-CCS	3	SCREW,1/4-20x.75,FHSCS,SST
6	70180-HCS	6	SCREW,3/8-16x1.00,HHCS,SST
7	71011-NCS	3	NUT,1/4-20,HEX,LOCK,SST
8	71013-NCS	6	NUT,3/8-16,HEX,LOCK,SST
9	71511-FS	3	WASHER,1/4,FLAT,SST

EXIT SIDE ECHAIN SUPPORTS 11080133



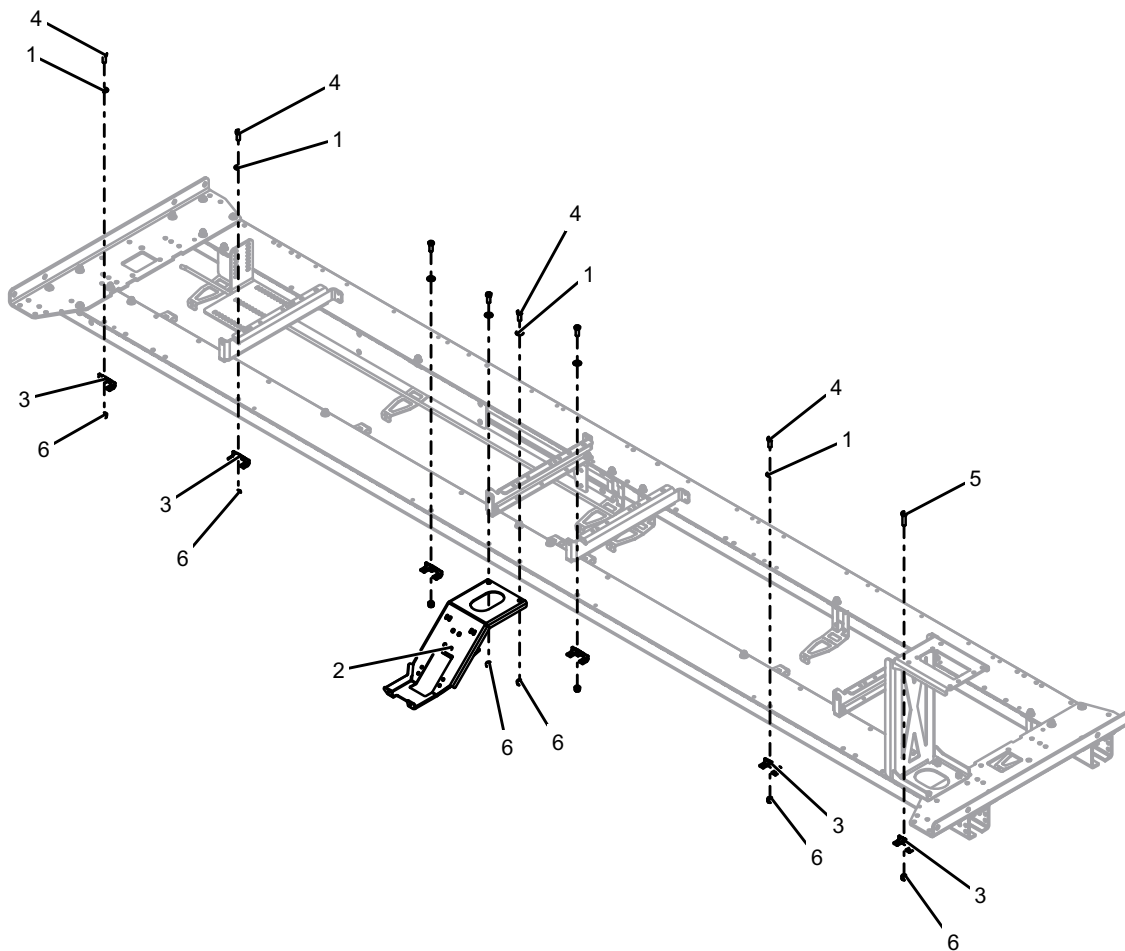
BOM ID	PartNo	Qty	Description
1	06240887-LH	1	TRAY,E-CH,TRLY,EXIT-LH,SST,360P/TDMSL
2	06240887-RH	1	TRAY,E-CH,TRLY,EXIT-RH,SST,360P/TDMSL
3	05030067	5	WASHER,3/8,FLAT,7/8-OD,.050THK,SST
5	70108-CCS	7	SCREW,1/4-20x.75,FHSCS,SST
6	70180-HCS	5	SCREW,3/8-16x1.00,HHCS,SST
7	70182-HCS	1	SCREW,3/8-16x1.50,HHCS,SST
8	71011-NCS	7	NUT,1/4-20,HEX,LOCK,SST
9	71013-NCS	6	NUT,3/8-16,HEX,LOCK,SST
10	71511-FS	7	WASHER,1/4,FLAT,SST

BRIDGE FRAME END BRACKETS 11080133



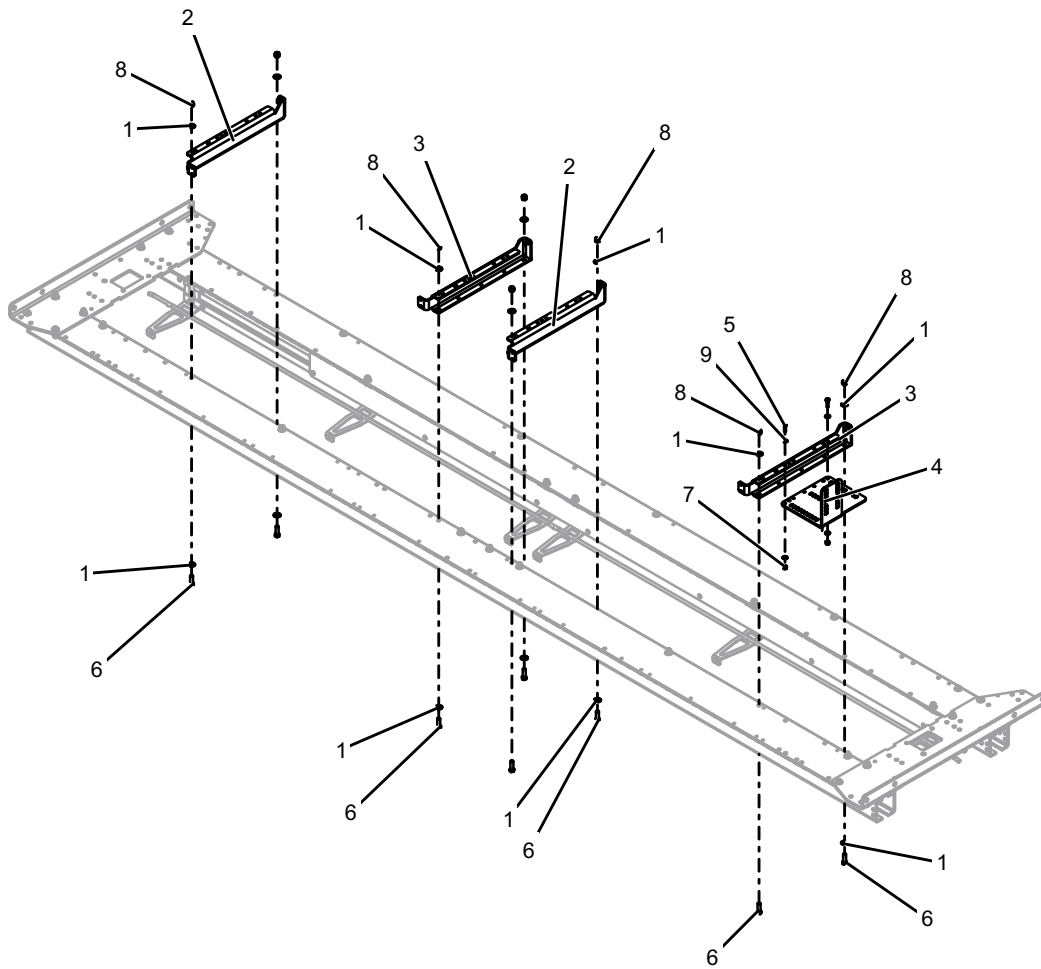
BOM ID	PartNo	Qty	Description
1	05030067	30	WASHER,3/8,FLAT,7/8-OD,.050THK,SST
2	06140990	2	BRACKET,END-PLATE,BRIDGE-MNT,LASERWASH
3	06230194	1	RAIL,FRAME,BRIDGE,ENTR,ANODIZED-AL,LW20
4	06230195	1	RAIL,FRAME,BRIDGE,EXIT,ANODIZED-AL,LW20
5	70181-HCS	14	SCREW,3/8-16x1.25,HHCS,SST
6	70182-HCS	2	SCREW,3/8-16x1.50,HHCS,SST
7	71013-NCS	16	NUT,3/8-16,HEX,LOCK,SST

COVER BRACKET 06141769



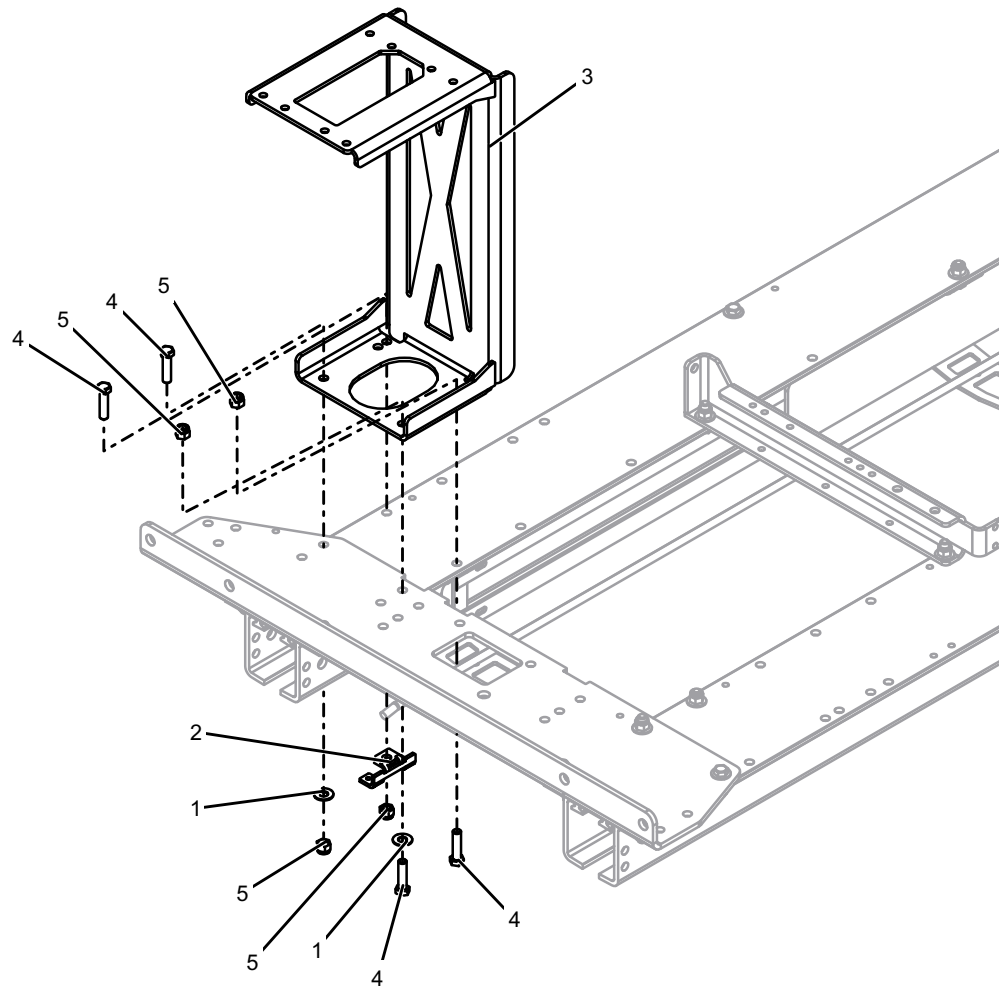
BOM ID	PartNo	Qty	Description
1	05030067	7	WASHER,3/8,FLAT,7/8-OD,.050THK,SST
2	06141769	1	BRACKET,CTR,EXIT,COV/FR-PREP,MNT,LW20
3	06141316	6	BRACKET,COVER,BOTTOM-MNT,EXIT,LW360
4	70180-HCS	7	SCREW,3/8-16x1.00,HHCS,SST
5	70182-HCS	1	SCREW,3/8-16x1.50,HHCS,SST
6	71013-NCS	8	NUT,3/8-16,HEX,LOCK,SST

SUPPORT BRACKETS 11080133



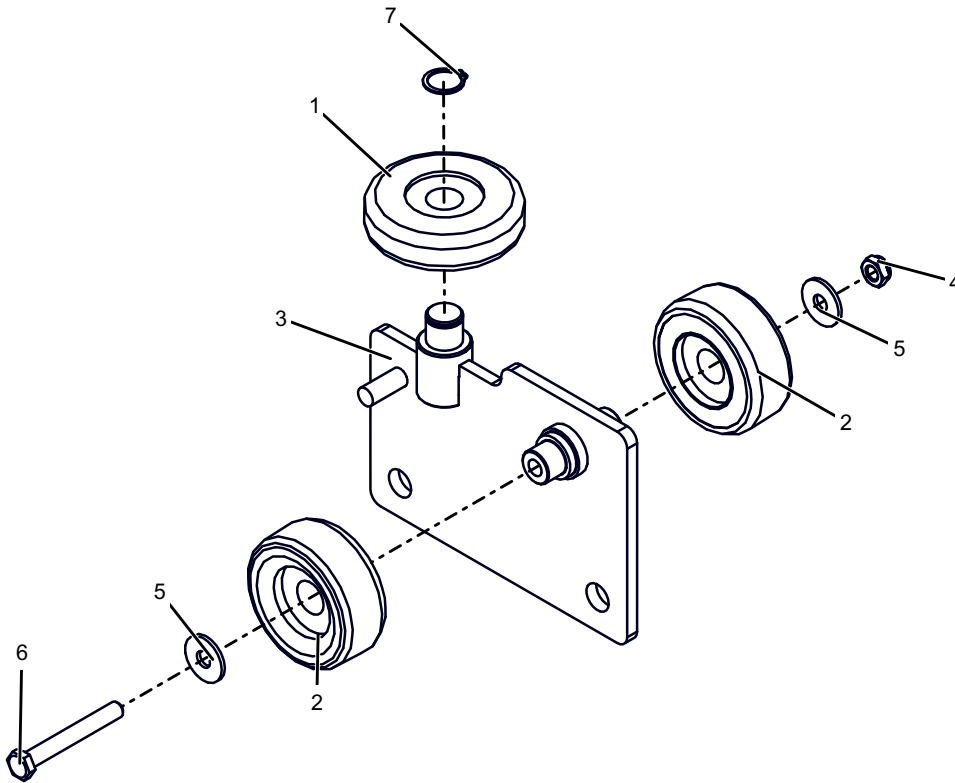
BOM ID	PartNo	Qty	Description
1	05030067	14	WASHER,3/8,FLAT,7/8-OD,.050THK,SST
2	06141685-LH	2	BRACKET,CROSS-BRACE,BOX-MNT,LH,AL,LW20
3	06141685-RH	2	BRACKET,CROSS-BRACE,BOX-MT,RH,AL,LW20
4	06141773	1	BRACKET,SUPPORT,HV-CABLES/CONDUIT,LW2020
5	70110-HCS	2	SCREW,1/4-20x1.00,HHCS,SST
6	70181-HCS	8	SCREW,3/8-16x1.25,HHCS,SST
7	71011-NCS	2	NUT,1/4-20,HEX,LOCK,SST
8	71013-NCS	8	NUT,3/8-16,HEX,LOCK,SST
9	71511-FS	4	WASHER,1/4,FLAT,SST

E CHAIN MOUNTING BRACKET 06141683



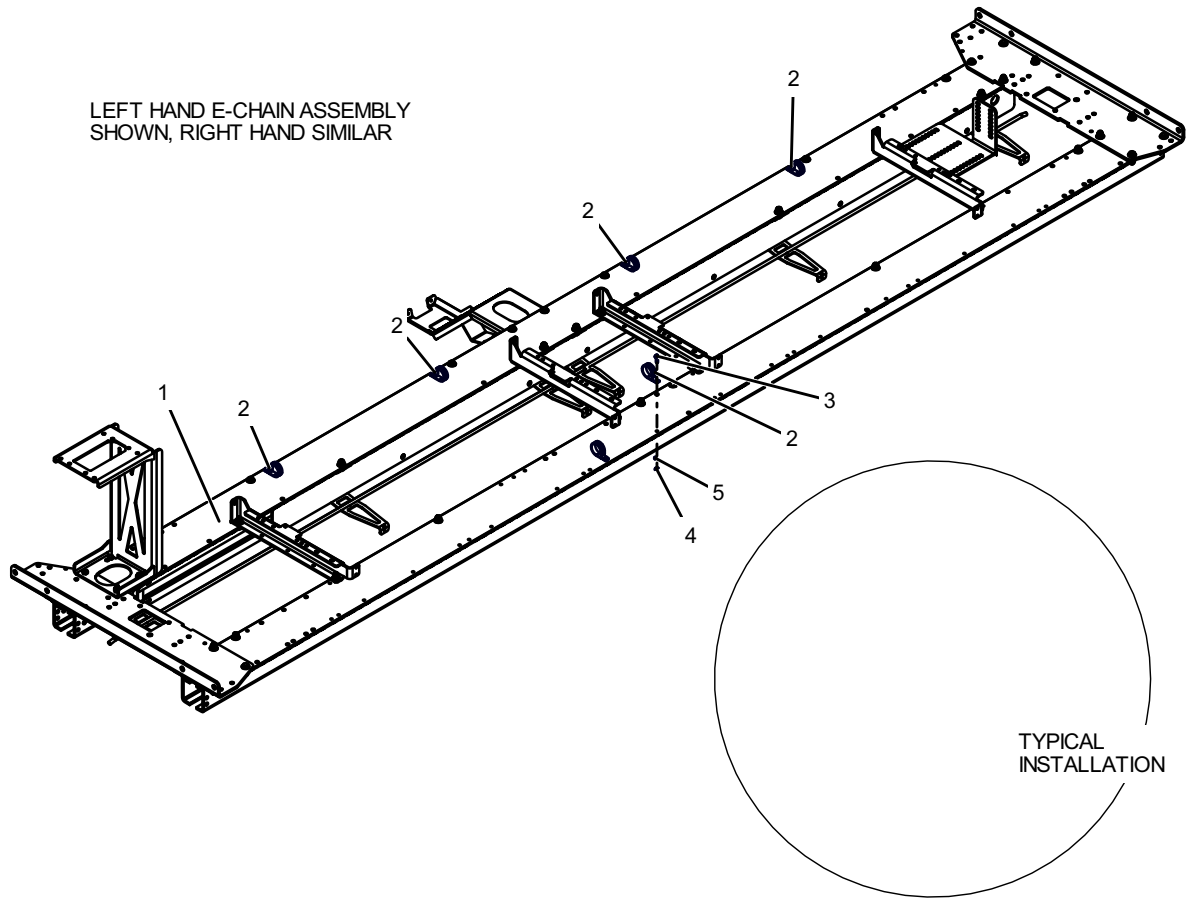
BOM ID	PartNo	Qty	Description
1	05030067	2	WASHER,3/8,FLAT,7/8-OD,.050THK,SST
2	06141316	1	BRACKET,COVER,BOTTOM-MNT,EXIT,LW360
3	06141683	1	BRACKET,E-CHAIN-MOUNT,BRIDGE,LW20
4	70182-HCS	4	SCREW,3/8-16x1.50,HHCS,SST
5	71013-NCS	4	NUT,3/8-16,HEX,LOCK,SST

BRIDGE AND TROLLEY TRUCK ROLLER 11150048



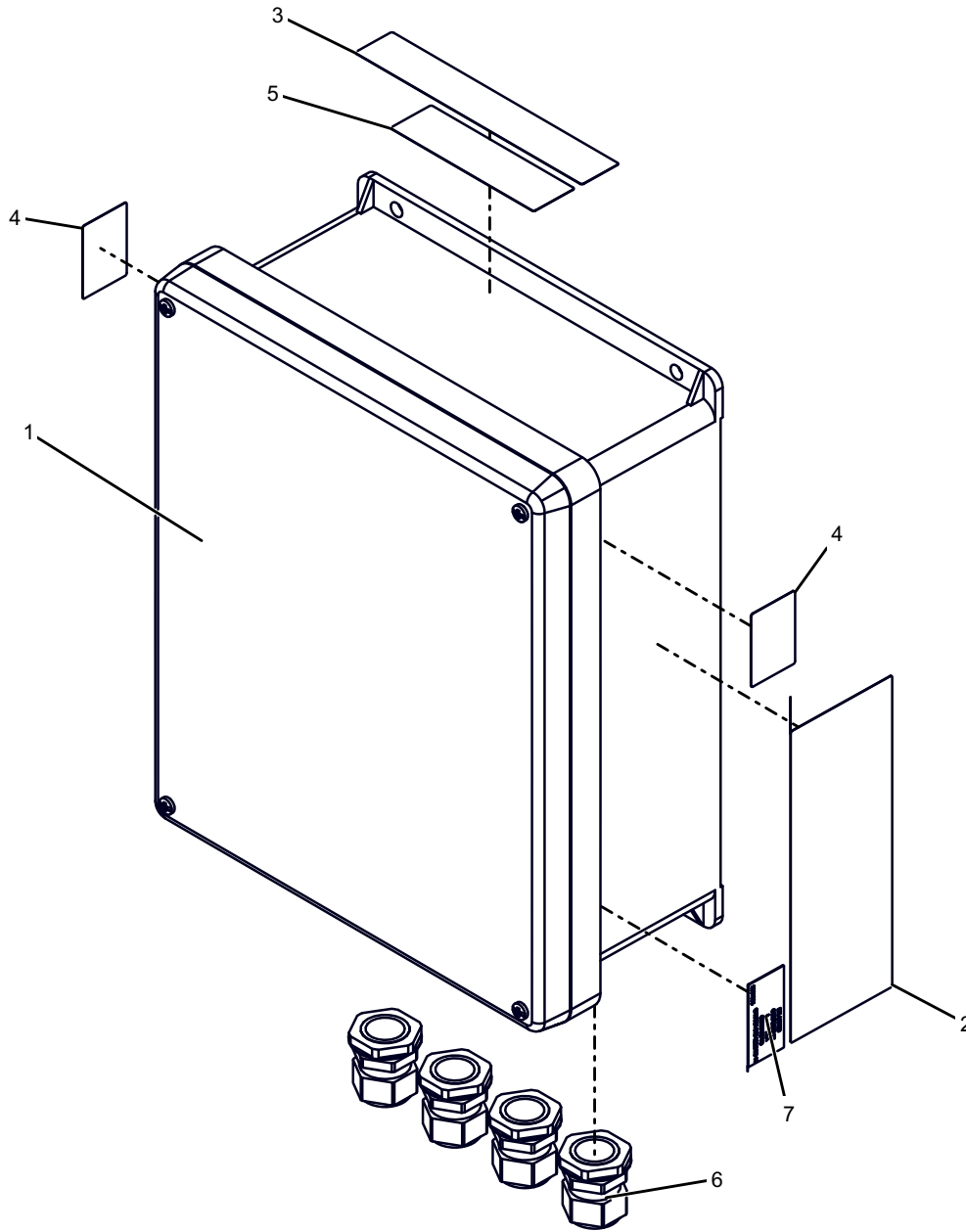
BOM ID	PartNo	Qty	Description
1	06170003	1	ROLLER,HORIZONTAL,2.88,DELRIN,W/BEARING
2	06170008	2	ROLLER,TAPERED,2.66,DELRIN,W/BEARING
3	06240328	1	PLATE,BRIDGE-TRUCK,LASERWASH
4	05020074	1	NUT,5/16-18,HEX,LOCK,JAM,SST
5	05030018	2	WASHER,M8,FENDER,SST
6	05040261	1	SCREW,5/16-18x2.375,HHCS,SST
7	05120030	1	RETAINING-RING,17mm,EXT,SST

BRIDGE FRAME HOSE ROUTINGS 11080133



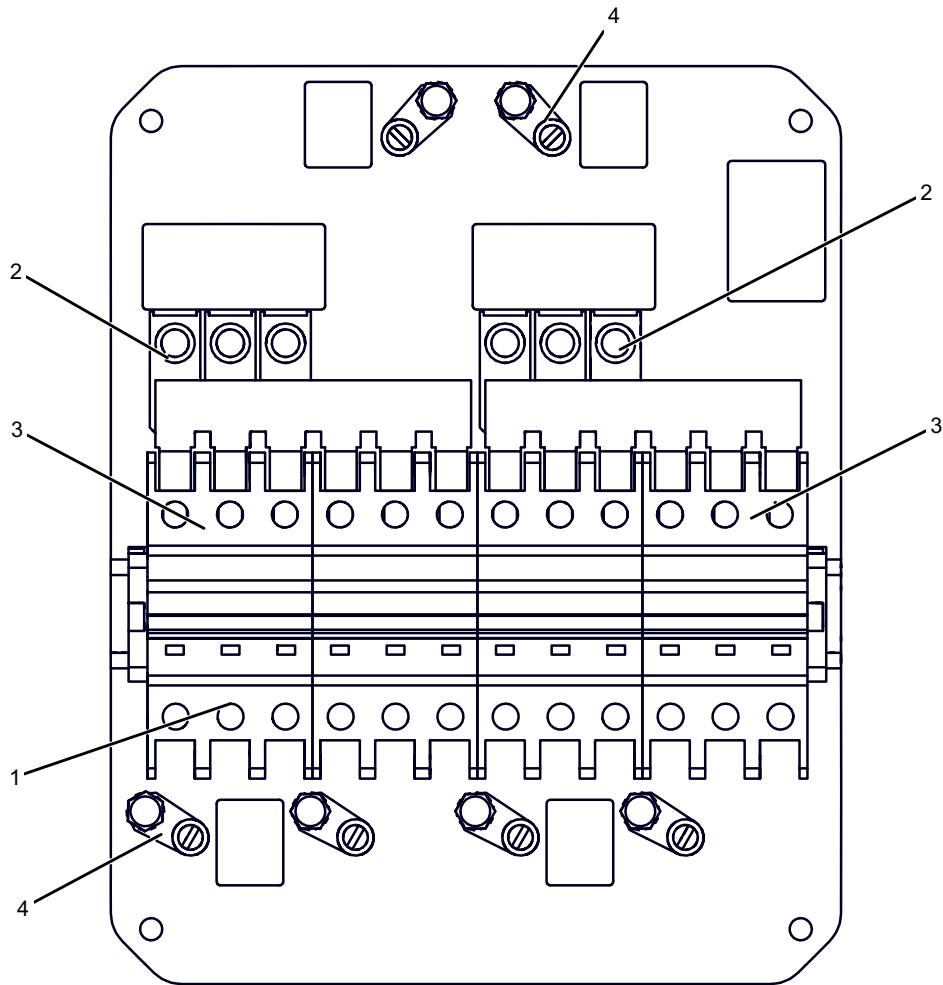
BOM ID	PartNo	Qty	Description
1	11080133	1	FRAME,BRIDGE,STRUCTURE,LW20
2	05050050	6	CLAMP,CUSHION,1-1/2",SST
3	70108-SCS	6	SCREW,1/4-20x.75,PPHMS,SST
4	71011-NCS	6	NUT,1/4-20,HEX,LOCK,SST
5	71511-FS	6	WASHER,1/4,FLAT,SST

BRIDGE SUPPLY BOX WITH ECHAIN ENCLOSURE 11010425



BOM ID	PartNo (config)	Qty	Description (config)
1	04090110	1	ENCLOSURE, 12x10", FIBERGLASS
2	02220027	1	LABEL-RATING, BRG-DRY-DISTR-PNL, LW20
3	02240107	1	LABEL, NOTICE, DO-NOT-DRILL-TOP
4	02240110	2	LABEL, INFO, THIS-SIDE-UP
5	02240112	1	LABEL, INFO, CE-WITH-AUTH-REP
6	04450018	4	STRAIN-RELIEF, M25, .354-.669", PLSTC
7	02240012	1	LABEL, ETL, UL508A, CSA22.2NO14-95

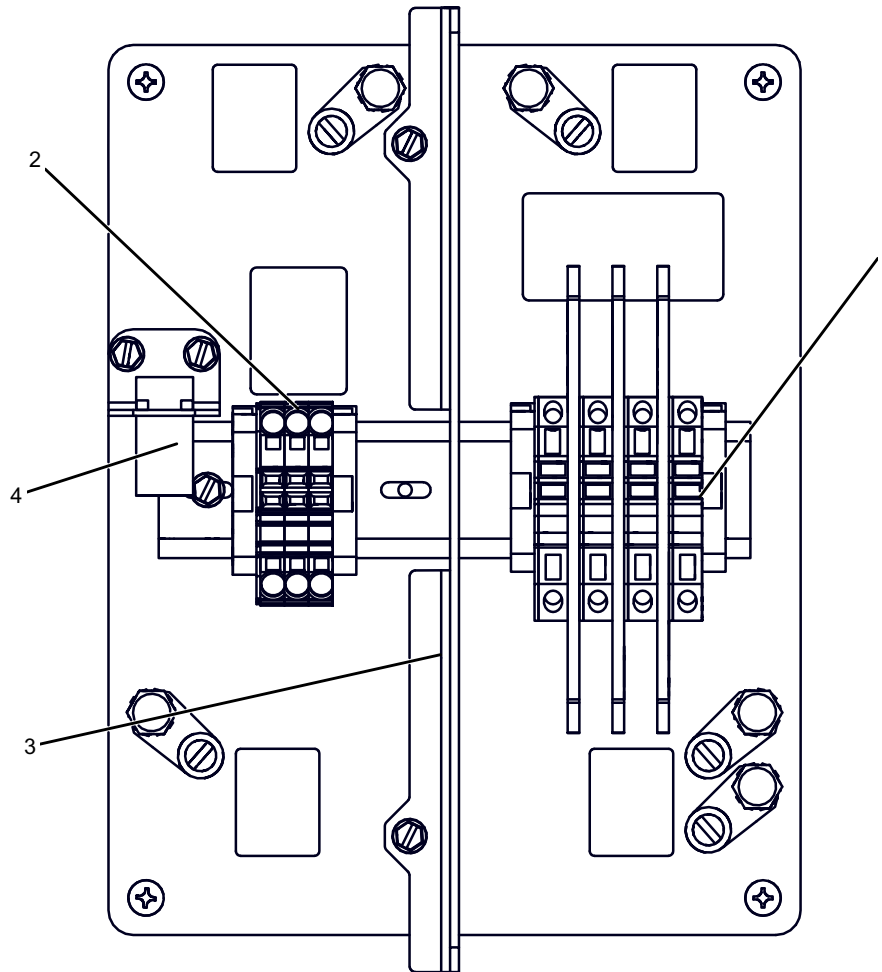
BRIDGE SUPPLY BOX WITH ECHAIN TERMINICALS 11010425



BOM ID	PartNo (config)	Qty	Description (config)
1	04110139	4	CIRCUIT-BREAKER,30A,3P,D,240V,UL-489
2	04390128	6	TERMINAL,BUS-BAR,FAZ-NA,480V,80A
3	04400036	2	BUS-BAR,FAZ-NA,6POS,3PH,480V,80A
4	34900	6	LUG,GROUNDING,14-4GA,COPPER

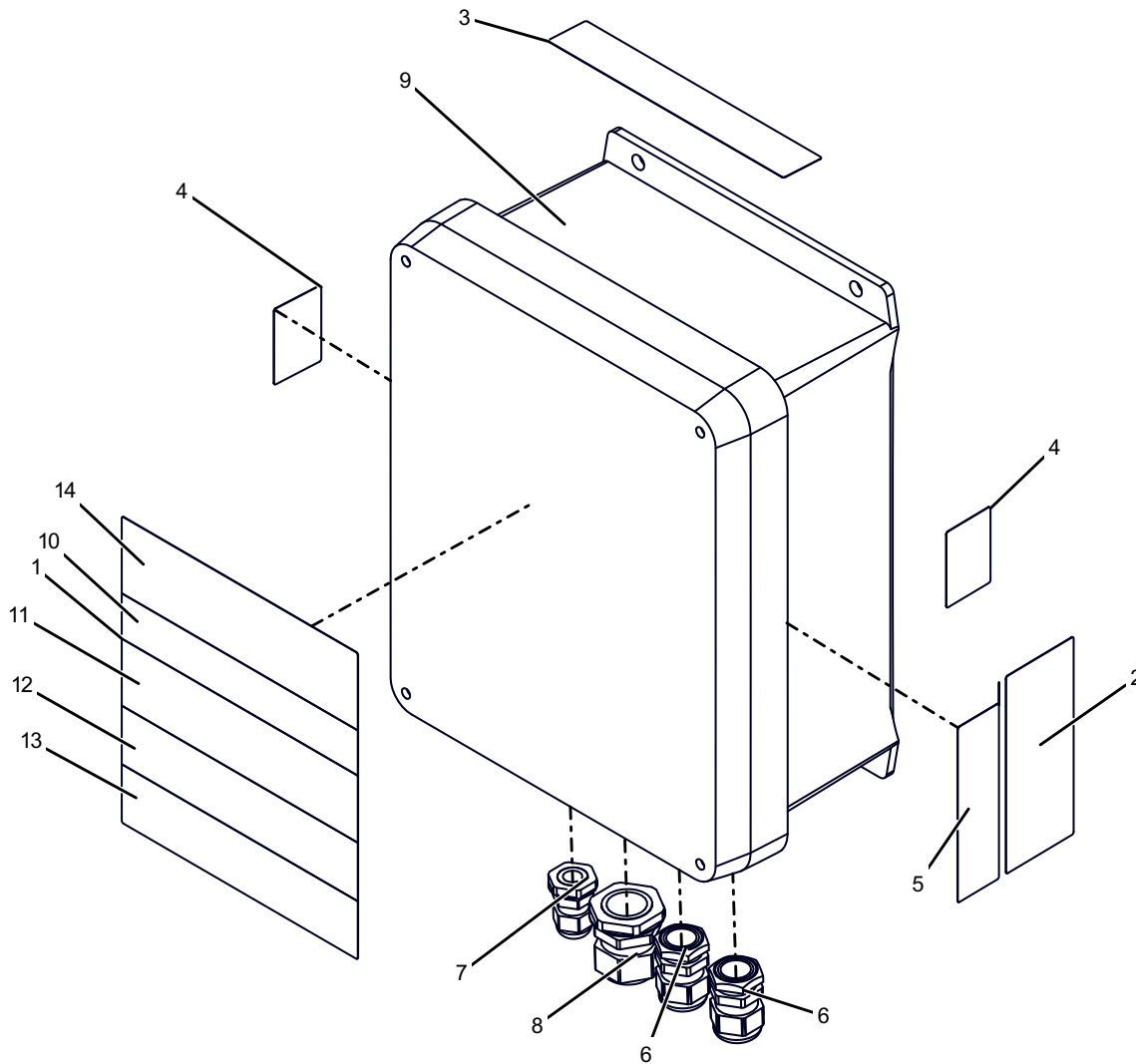
BRIDGE CONTROL JUNCTION BOX TERMINALS

110101424



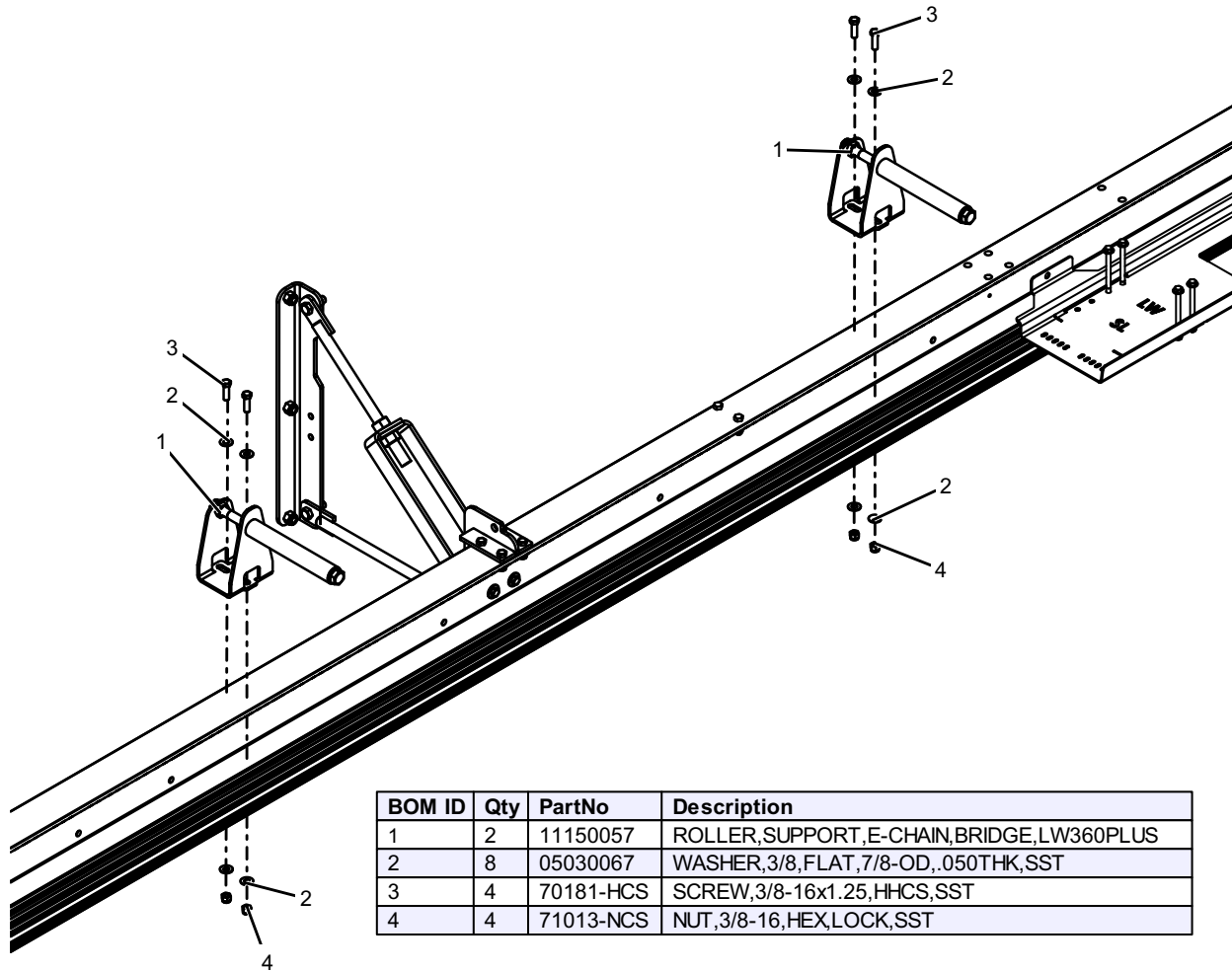
BOM ID	PartNo (config)	Qty	Description (config)
1	04100069	4	TERMINAL-BLOCK,2P,41A,800V,AWG-20-8
2	04100113	3	TERMINAL-BLOCK,2P,32A,600V,AWG-20-10
3	06241123	1	PANEL,DIVIDER,E-BOX,ECHAIN-JCT,BASE,LW20
4	04560017	1	RECEPTACLE,CAT5E,COUPLING,KEYSTONE

BRIDGE CONTROL JUNCTION BOX ENCLOSURE 11010424



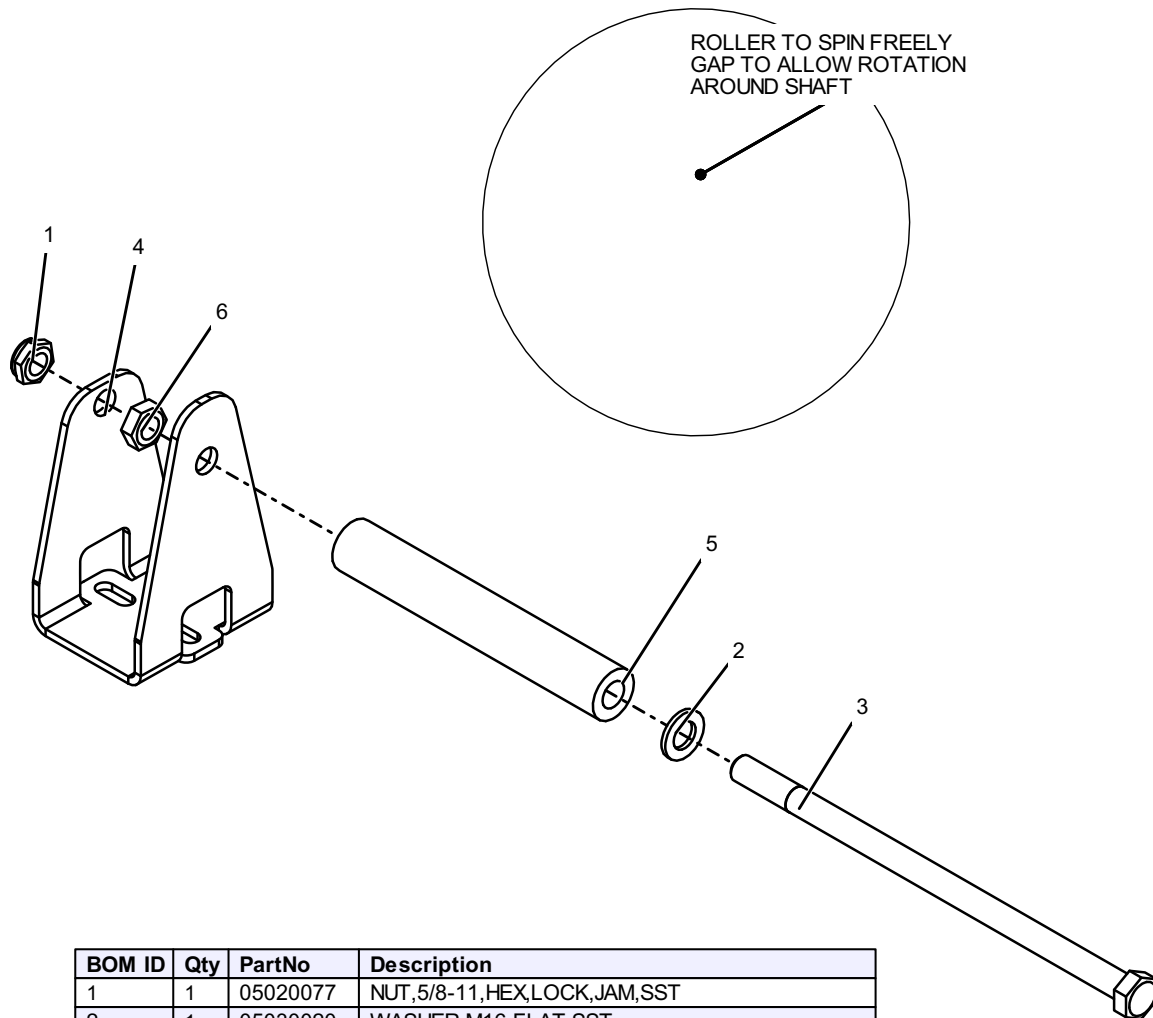
BOM ID	PartNo (config)	Qty	Description (config)
1	02240099B	1	LABEL, MULTIPLE-WARNING, CTRL-JBX,LW20
2	02220028	1	LABEL-RATING, BRG-CTRL-JUNC-BOX,LW20
3	02240107	1	LABEL, NOTICE, DO-NOT-DRILL-TOP
4	02240110	2	LABEL, INFO, THIS-SIDE-UP
5	02240112	1	LABEL, INFO, CE-WITH-AUTH-REP
6	04450016	2	STRAIN-RELIEF, M20, .276-.512", PLSTC
7	04450024	1	STRAIN-RELIEF, .138-.315", W/LOCKNUT, NYLON
8	04450018	1	STRAIN-RELIEF, M25, .354-.669", PLSTC
9	04090109	1	ENCLOSURE, 10x8", FIBERGLASS
10	02240102	1	LABEL, WARNING, ARC-FLASH-HAZARD
11	02240104	1	LABEL, CAUTION, MULTIPLE-DISCONNECTS
12	02240105	1	LABEL, CAUTION, NON-METAL-ENCLOSURE
13	02240106	1	LABEL, NOTICE, CONDUIT-FITTINGS-RATINGS
14	02240111	1	LABEL, HAZARD-SYMBOLS, LOCK-OUT

ECHAIN WORKING SUPPORT ROLLERS 11150057



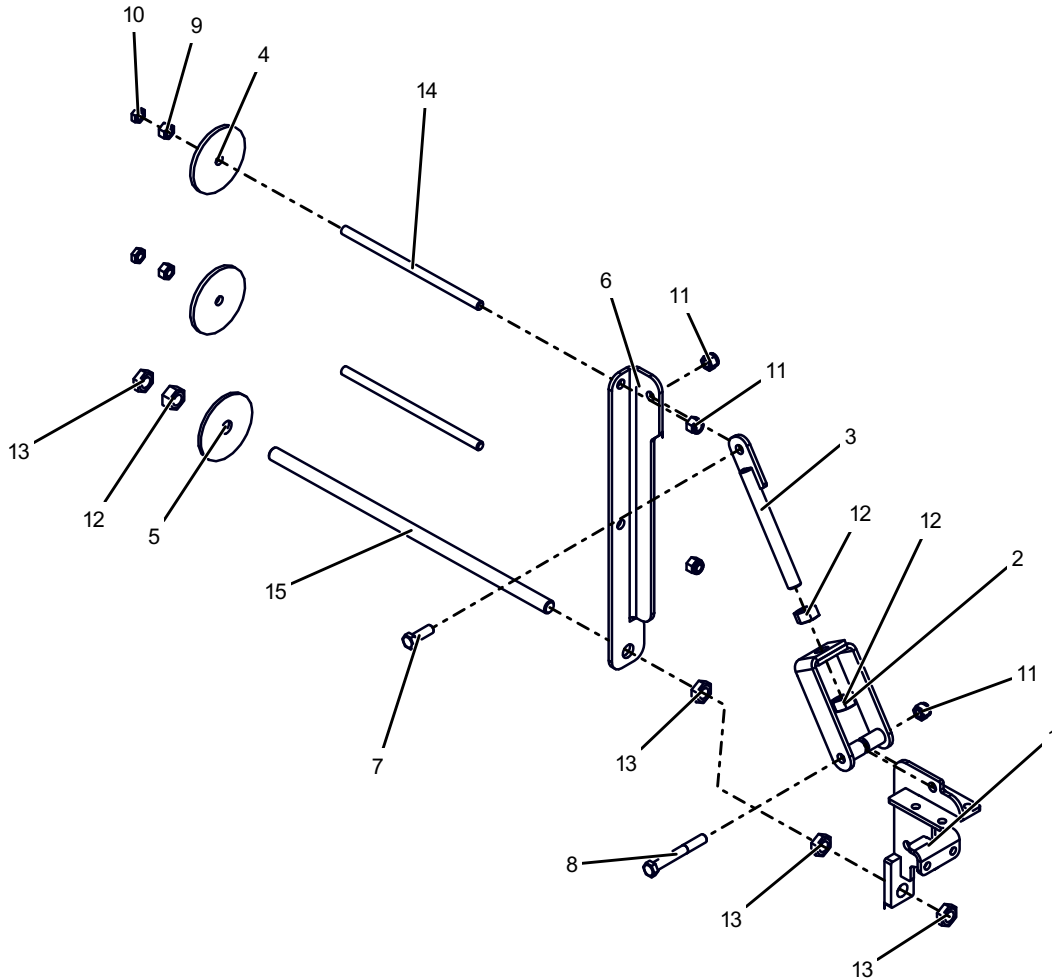
BOM ID	Qty	PartNo	Description
1	2	11150057	ROLLER,SUPPORT,E-CHAIN,BRIDGE,LW360PLUS
2	8	05030067	WASHER,3/8,FLAT,7/8-OD,.050THK,SST
3	4	70181-HCS	SCREW,3/8-16x1.25,HHCS,SST
4	4	71013-NCS	NUT,3/8-16,HEX,LOCK,SST

ECHAIN WORKING SUPPORT ROLLERS ASSEMBLY 11150057



BOM ID	Qty	PartNo	Description
1	1	05020077	NUT,5/8-11,HEX,LOCK,JAM,SST
2	1	05030020	WASHER,M16,FLAT,SST
3	1	05040266	SCREW,5/8-11x12,HHCS,SST
4	1	06141218	BRACKET,ROLLER-SPRT,E-CHAIN,SST,LW360P
5	1	06170034	ROLLER,E-CHAIN-SUPPORT,LONG,UHMW
6	1	71017-JCS	NUT,5/8-11,HEX,JAM,SST

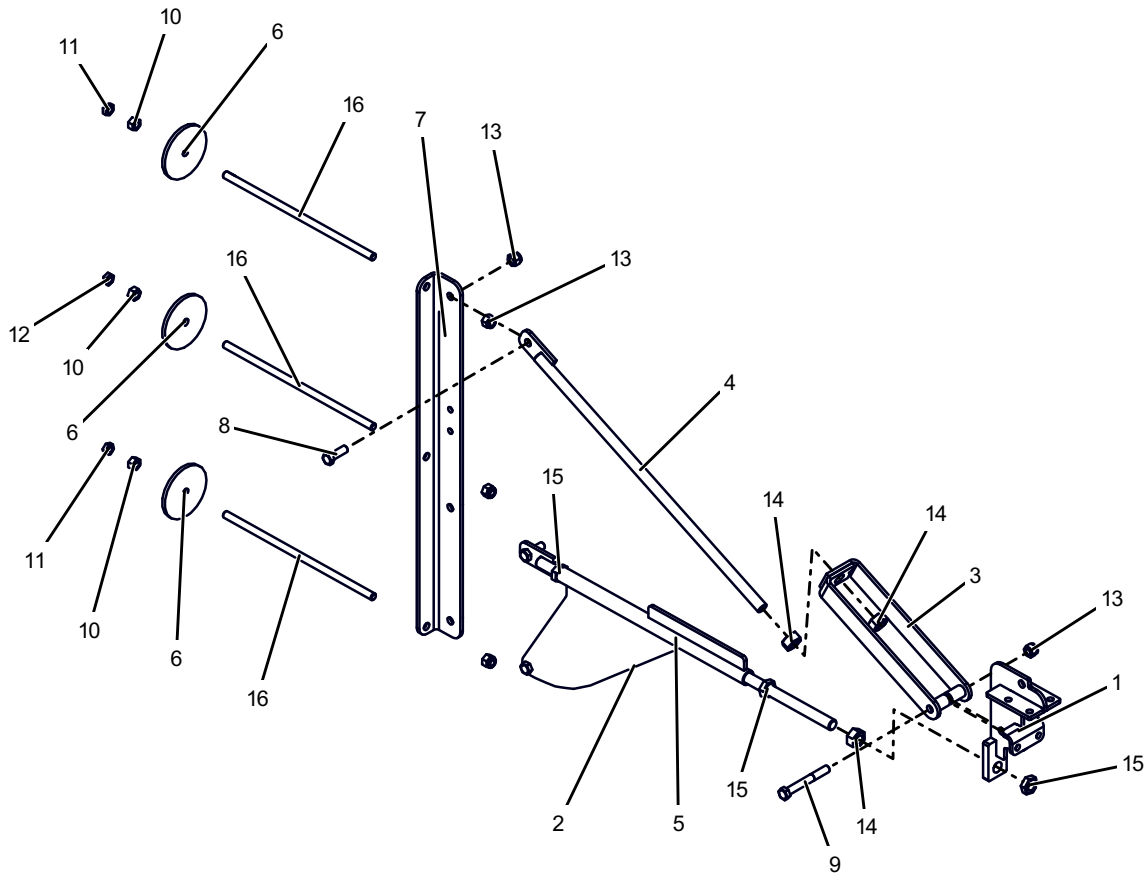
FRAME,KIT,WALL-MOUNT,13-6-14-4 NARROW BAY 09050054



BOM ID	Qty	PartNo	Description
1	1	06140880	BRACKET,RAIL-ATTACH,WALL-MTG,SST
2	1	06140891	BRACKET,RAIL-SUPPORT,SHORT,SST
3	1	06180058	TIE-ROD,3/4NCx8.12,RAIL-MOUNT,SST
4	2	06240952	PLATE,BACKING,WALL-MNT,1/2"-RD,SST
5	1	06240954	PLATE,BACKING,WALL-MNT,3/4"-RD,SST
6	1	06270118	ANGLE,WALL-MNT,NARROW-BAY,SST
7	1	70257-HCS	SCREW,1/2-13x1.50,HHCS,SST
8	1	70267-HCS	SCREW,1/2-13x4.00,HHCS,SST
9	2	71015-HFS	NUT,1/2-20,HEX,SST
10	2	71015-JCS	NUT,1/2-13,HEX,JAM,SST
11	4	71015-NCS	NUT,1/2-13,HEX,LOCK,SST
12	3	71018-HCS	NUT,3/4-10,HEX,SST
13	4	71018-JCS	NUT,3/4-10,HEX,JAM,SST
14	2	M390020-S	THREADED-ROD,1/2-13x14.00,SST
15	1	M390035-S	THREADED-ROD,3/4-10x21.00,SST

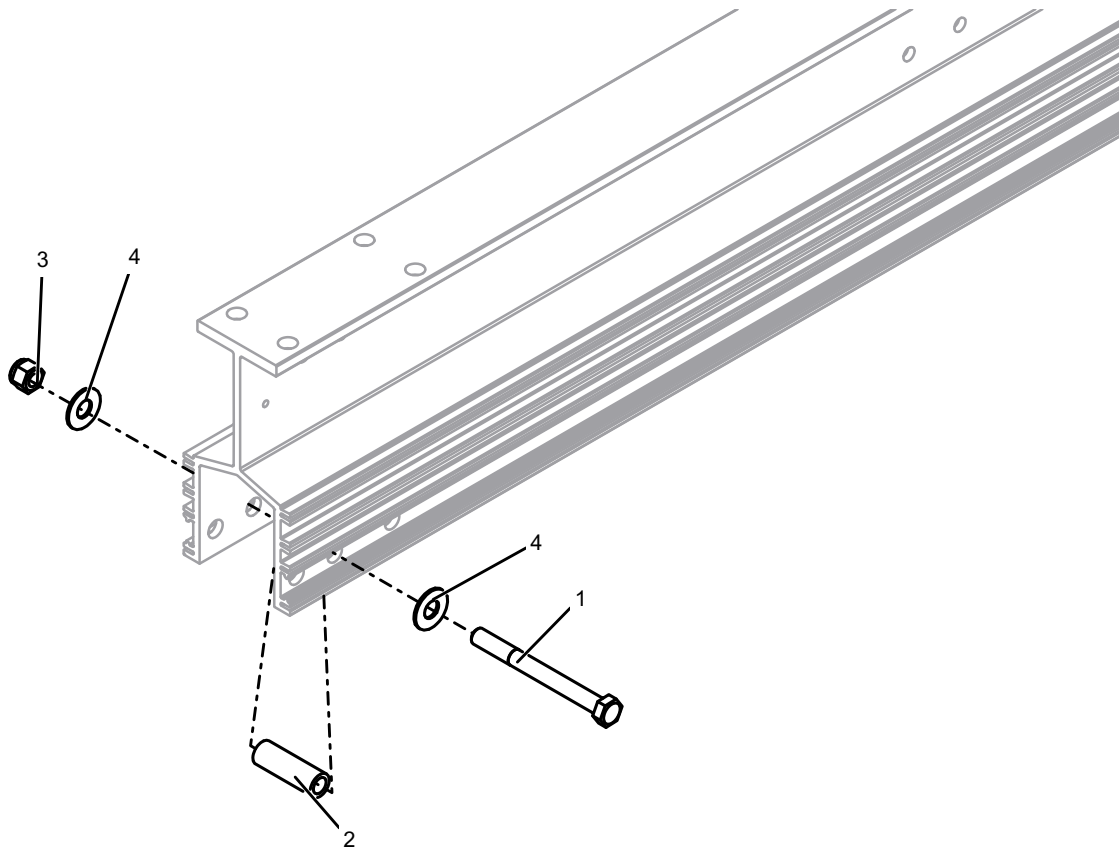
FRAME,KIT,WALL-MOUNT,16-1 18-1 WIDE BAY

09050056



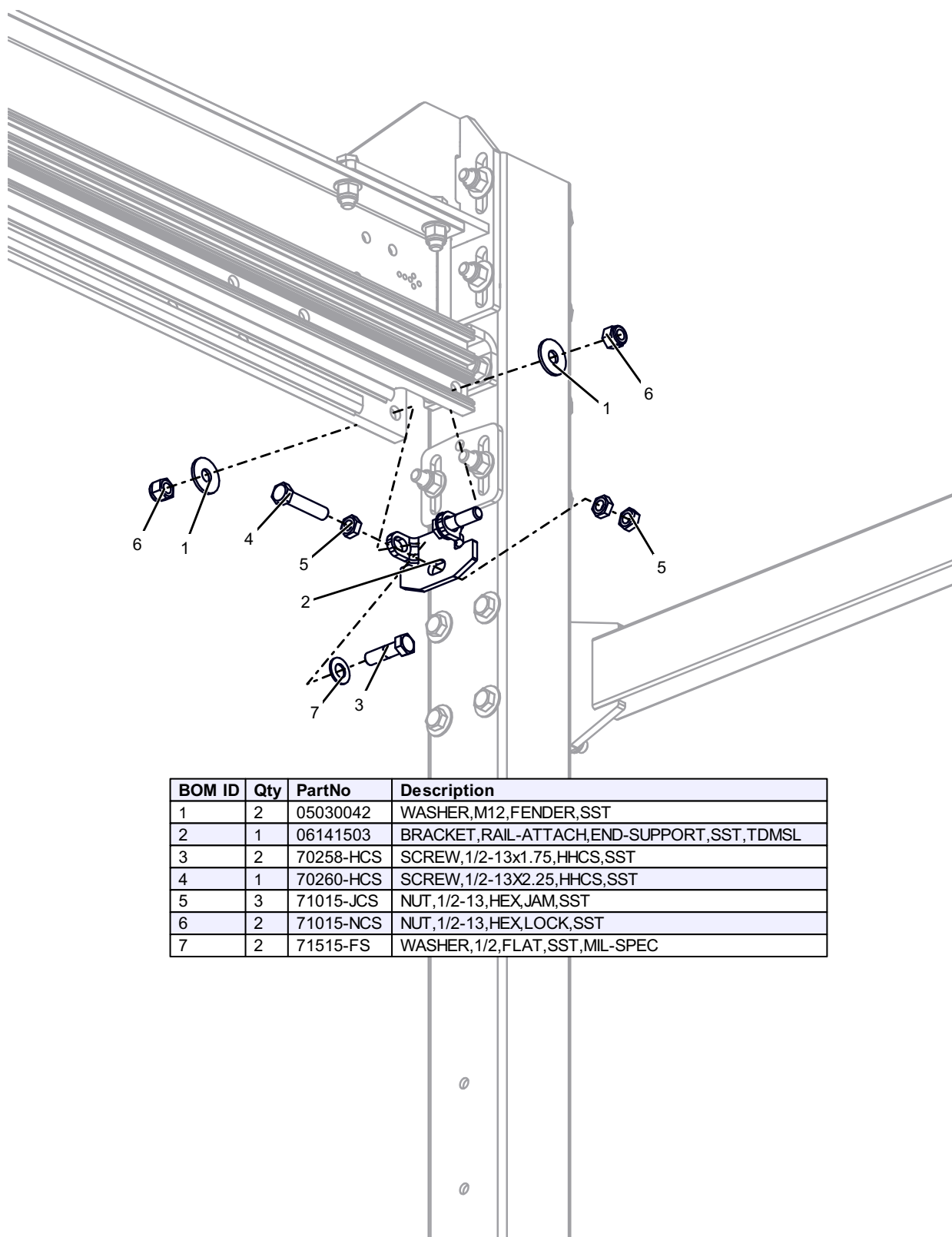
BOM ID	Qty	PartNo	Description
1	1	06140880	BRACKET,RAIL-ATTACH,WALL-MTG,SST
2	1	06370121	PIPE,SUPPORT,W/GUSSET,3/4,TIE-ROD
3	1	M310093-S	BRACKET,RAIL-SUPPORT,WALL-MOUNT,SST
4	1	M390121-S	TIE-ROD,3/4NCx,24.75,RAIL-MOUNT,SST
5	1	M390123-S	TIE-ROD,3/4NCx28.75,RAIL-MOUNT
6	3	06240952	PLATE,BACKING,WALL-MNT,1/2"-RD,SST
7	1	06270116	ANGLE,WALL-MNT,WIDE-BAY,SST
8	3	70257-HCS	SCREW,1/2-13x1.50,HHCS,SST
9	1	70267-HCS	SCREW,1/2-13x4.00,HHCS,SST
10	3	71015-HCS	NUT,1/2-13,HEX,SST
11	2	71015-JCS	NUT,1/2-13,HEX,JAM,SST
12	1	71015-JFS	NUT,1/2-20,HEX,JAM,SST
13	7	71015-NCS	NUT,1/2-13,HEX,LOCK,SST
14	3	71018-HCS	NUT,3/4-10,HEX,SST
15	3	71018-JCS	NUT,3/4-10,HEX,JAM,SST
16	3	M390020-S	THREADED-ROD,1/2-13x14.00,SST

FRAME END STOPS 06060033



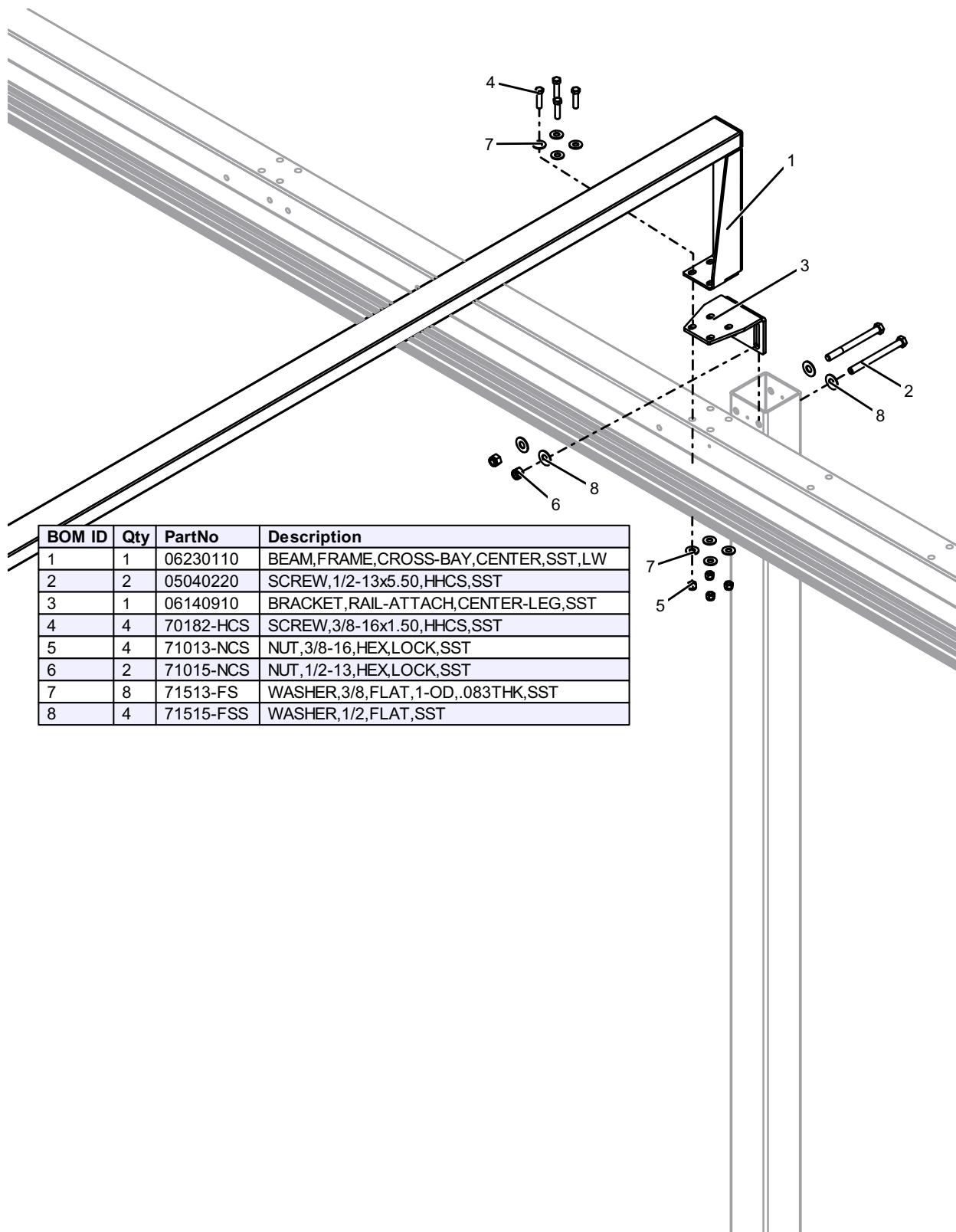
BOM ID	Qty	PartNo	Description
1	1	05040253	SCREW,1/2-13x5.00,HHCS,SST
2	1	06060033	BUMPER,END-STOP,POLYURETHANE,1/2"ID,TDMSL
3	1	71015-NCS	NUT,1/2-13,HEX,LOCK,SST
4	2	71515-FSS	WASHER,1/2,FLAT,SST

FRAME,LEG-MOUNT RAIL END SUPPORTS 09050050



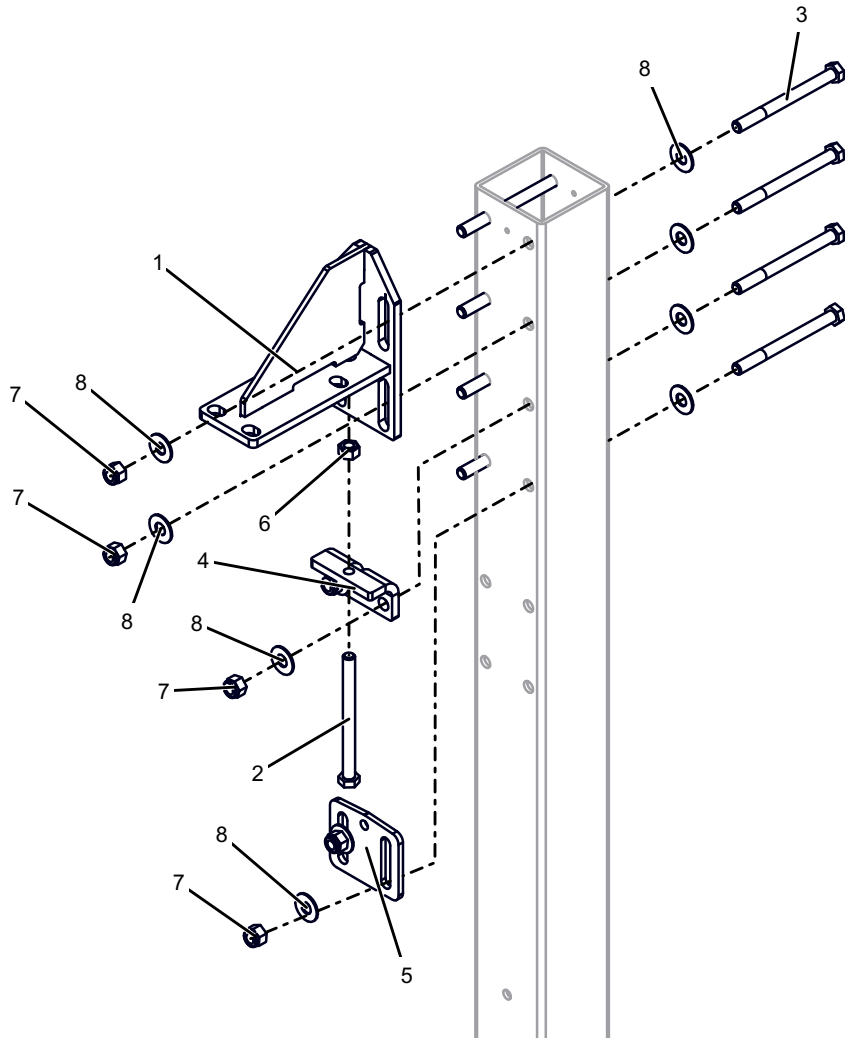
BOM ID	Qty	PartNo	Description
1	2	05030042	WASHER,M12,FENDER,SST
2	1	06141503	BRACKET,RAIL-ATTACH,END-SUPPORT,SST,TDMSL
3	2	70258-HCS	SCREW,1/2-13x1.75,HHCS,SST
4	1	70260-HCS	SCREW,1/2-13x2.25,HHCS,SST
5	3	71015-JCS	NUT,1/2-13,HEX,JAM,SST
6	2	71015-NCS	NUT,1/2-13,HEX,LOCK,SST
7	2	71515-FS	WASHER,1/2,FLAT,SST,MIL-SPEC

FRAME,LEG-MOUNT-6 CENTER LEG AND BEAM 09050050



BOM ID	Qty	PartNo	Description
1	1	06230110	BEAM,FRAME,CROSS-BAY,CENTER,SST,LW
2	2	05040220	SCREW,1/2-13x5.50,HHCS,SST
3	1	06140910	BRACKET,RAIL-ATTACH,CENTER-LEG,SST
4	4	70182-HCS	SCREW,3/8-16x1.50,HHCS,SST
5	4	71013-NCS	NUT,3/8-16,HEX,LOCK,SST
6	2	71015-NCS	NUT,1/2-13,HEX,LOCK,SST
7	8	71513-FS	WASHER,3/8,FLAT,1-OD,.083THK,SST
8	4	71515-FSS	WASHER,1/2,FLAT,SST

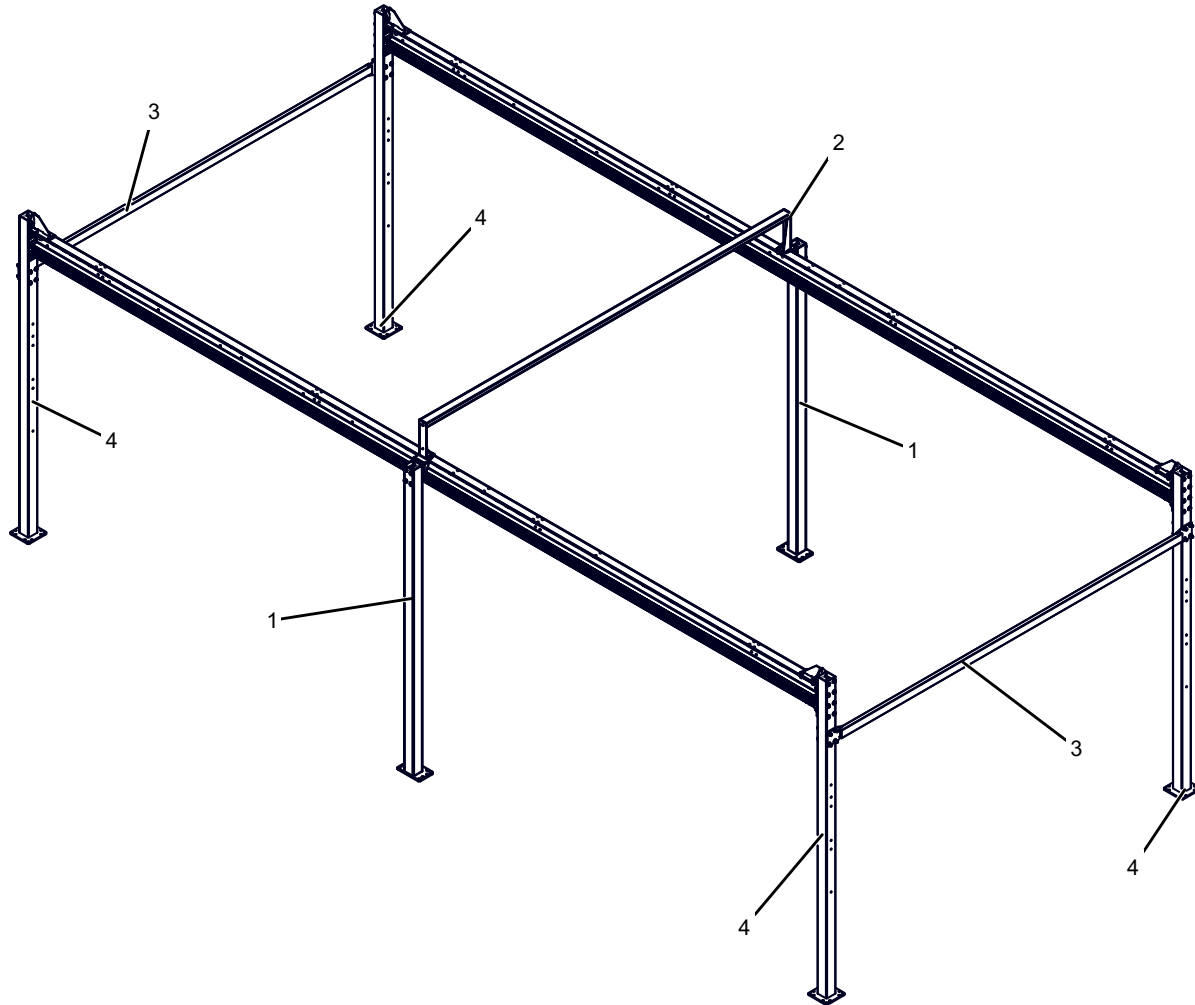
FRAME,LEG-MOUNT-6 END LEG ARCH 09050050



BOM ID	Qty	PartNo	Description
1	1	06141664	BRACKET,RAIL-ATTACH,LEG-MTG,SST,LW360P
2	1	05040215	SCREW,1/2-13x6.00,HHCS,SST,FULL-THD
3	8	05040220	SCREW,1/2-13x5.50,HHCS,SST
4	1	06140913	BRACKET,RAIL-ATTACH,ADJUSTMENT,SST
5	1	06141665	BRACKET,RAIL-ATTACH,LEG-SPRT,SST,LW2020
6	1	71015-HCS	NUT,1/2-13,HEX,SST
7	8	71015-NCS	NUT,1/2-13,HEX,LOCK,SST
8	17	71515-FSS	WASHER,1/2,FLAT,SST

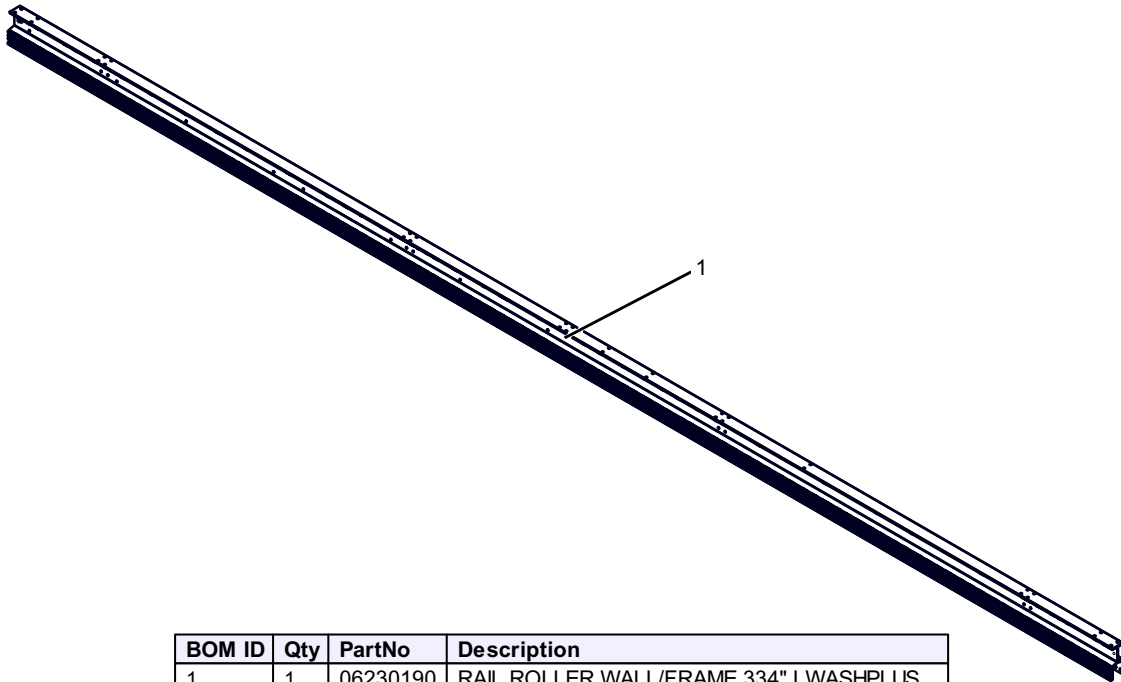
FRAME,LEG-MOUNT-6 LEG MOUNT FRAME

09050050



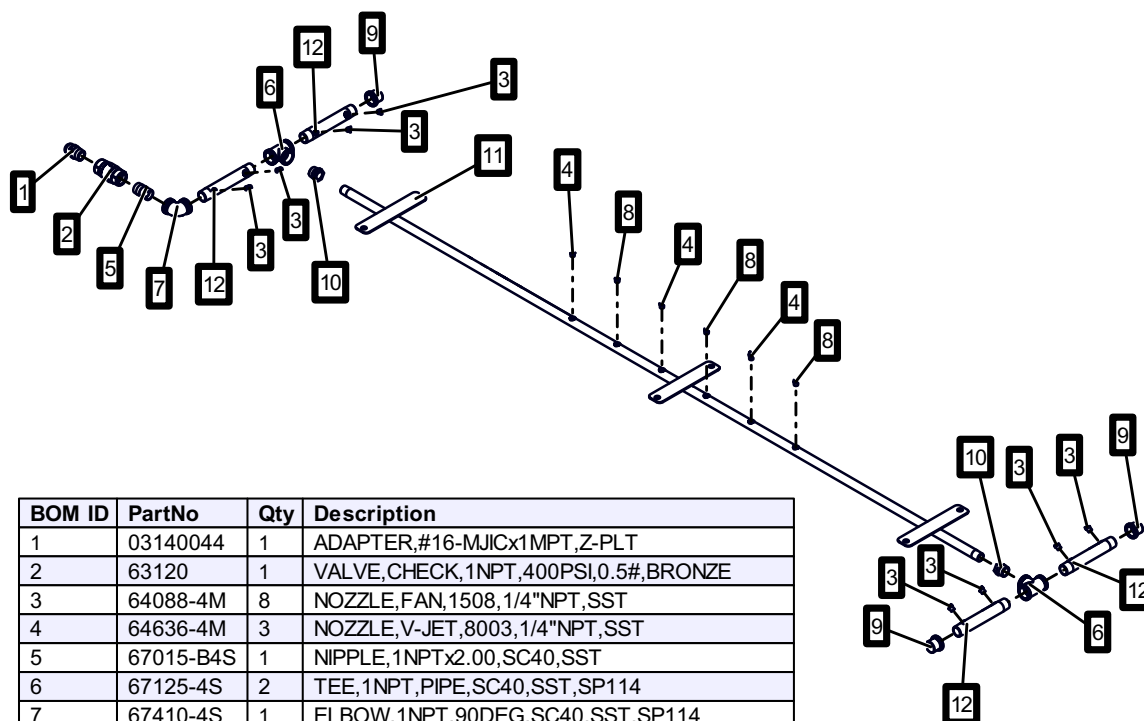
BOM ID	Qty	PartNo	Description
1	2	06230109	LEG,FRAME,CENTER,4x4,SST,LASERWASH
2	1	06230110	BEAM,FRAME,CROSS-BAY,CENTER,SST,LW
3	2	06230115	BEAM,FRAME,CROSS-BAY,END,SST,LWASH/LJET
4	4	06250177	FRAME,LEG,CORNER,SST,LW2020

FRAME,LEG-MOUNT RAIL 0630190



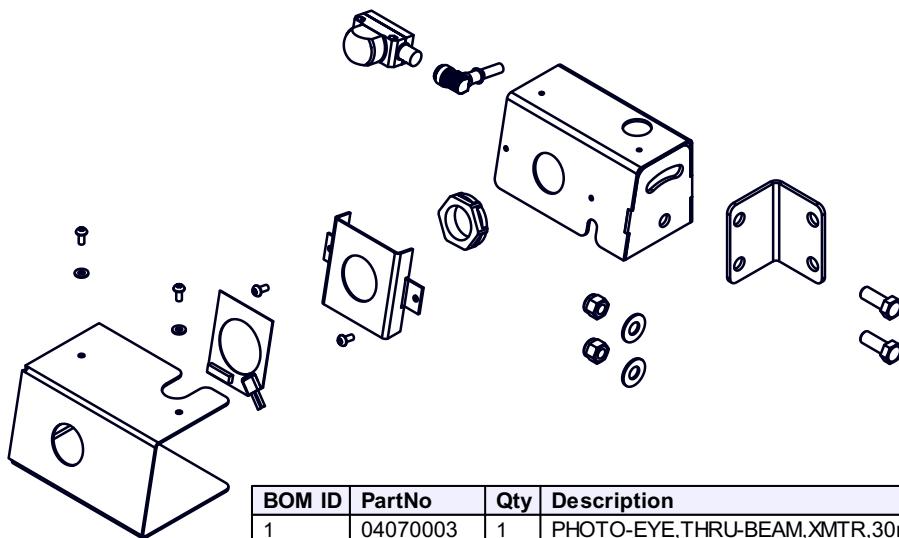
BOM ID	Qty	PartNo	Description
1	1	06230190	RAIL,ROLLER,WALL/FRAME,334",LWASHPLUS

UNDERBODY DRIVE THRU 09120018



BOM ID	PartNo	Qty	Description
1	03140044	1	ADAPTER,#16-MJICx1MPT,Z-PLT
2	63120	1	VALVE,CHECK,1NPT,400PSI,0.5#,BRONZE
3	64088-4M	8	NOZZLE,FAN,1508,1/4"NPT,SST
4	64636-4M	3	NOZZLE,V-JET,8003,1/4"NPT,SST
5	67015-B4S	1	NIPPLE,1NPTx2.00,SC40,SST
6	67125-4S	2	TEE,1NPT,PIPE,SC40,SST,SP114
7	67410-4S	1	ELBOW,1NPT,90DEG,SC40,SST,SP114
8	67601-S	3	PLUG,1/4NPT,SQ-HD,SST
9	67680-4S	3	CAP,1NPT,SC40,SST
10	67714-S	2	BUSHING,1NPTx3/4NPT,SST
11	M360037	1	MANIFOLD,UNDERBODY,SST
12	M550022	4	MANIFOLD,UNDERBODY,SIDE-BLASTER,SST

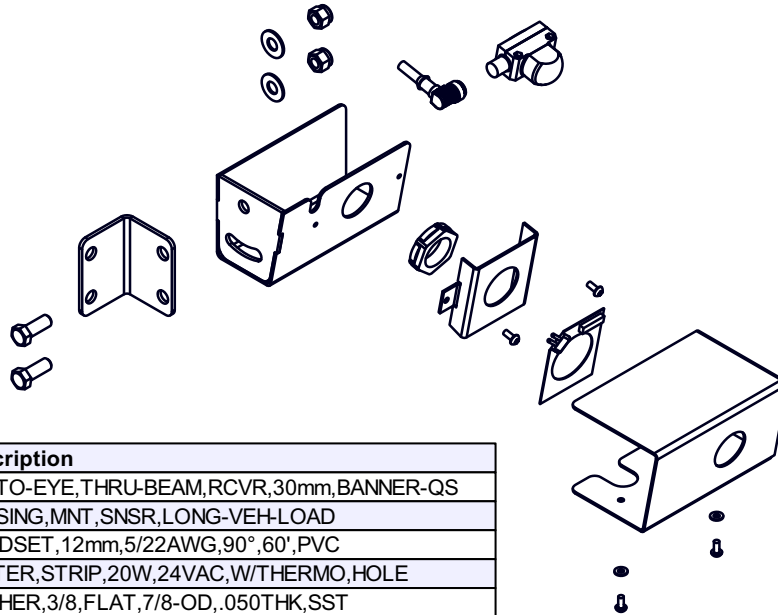
WALL MOUNT PHOTOEYE TRANSMITTER 11410038 09160031



BOM ID	PartNo	Qty	Description
1	04070003	1	PHOTO-EYE, THRU-BEAM, XMTR, 30mm, BANNER-QS
2	06050152	1	HOUSING, MNT, SNSR, LONG-VEH-LOAD
3	04080040	1	CORDSET, 12mm, 5/22AWG, 90°, 60', PVC
4	04190036	1	HEATER, STRIP, 20W, 24VAC, W/THERMO, HOLE
5	05030067	2	WASHER, 3/8, FLAT, 7/8-OD, .050THK, SST
6	06141765	1	BRKT, WALL-MNT, VEH-DET-PHOTOEYE, SST, LW20
7	06141767	1	BRKT, HEATER, VEH-DET-PHOTOTEYE, SST, LW20
8	70033-SCS	4	SCREW, #8-32x.38, PRHMS, SST
9	70180-HCS	2	SCREW, 3/8-16x1.00, HHCS, SST
10	71013-NCS	2	NUT, 3/8-16, HEX, LOCK, SST
11	71508-FS	2	WASHER, #8, FLAT, SST
12	06160600	1	COVER, SNSR, VEH-DET-PHOTOEYE, SST, LW20

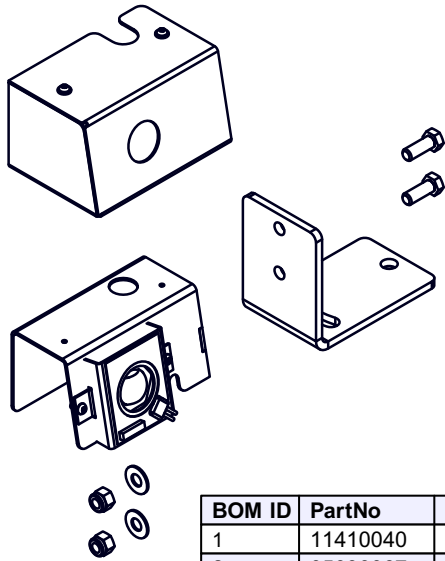
WALL MOUNT PHOTOEYE RECEIVER W HEAT

11410030 09160031



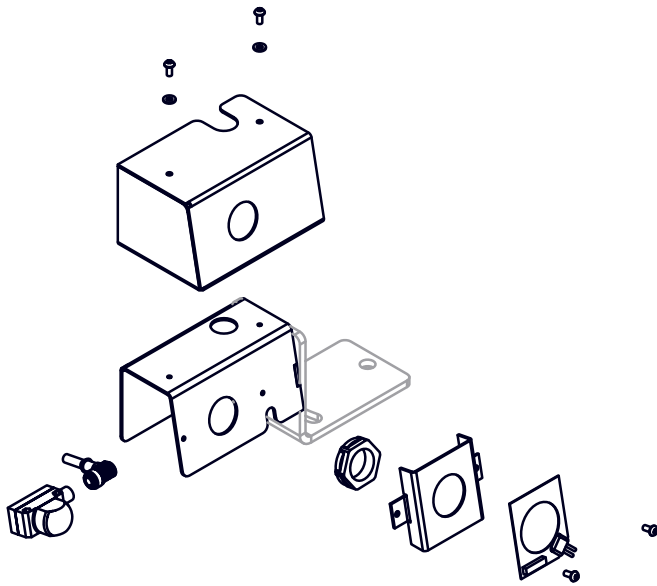
BOM ID	PartNo	Qty	Description
1	04070004	1	PHOTO-EYE, THRU-BEAM, RCVR, 30mm, BANNER-QS
2	06050152	1	HOUSING, MNT, SNSR, LONG-VEH-LOAD
3	04080040	1	CORDSET, 12mm, 5/22AWG, 90°, 60', PVC
4	04190036	1	HEATER, STRIP, 20W, 24VAC, W/THERMO, HOLE
5	05030067	2	WASHER, 3/8, FLAT, 7/8-OD, .050THK, SST
6	06141765	1	BRKT, WALL-MNT, VEH-DET-PHOTOEYE, SST, LW20
7	06141767	1	BRKT, HEATER, VEH-DET-PHOTOEYE, SST, LW20
8	70033-SCS	4	SCREW, #8-32x.38, PRHMS, SST
9	70180-HCS	2	SCREW, 3/8-16x1.00, HHCS, SST
10	71013-NCS	2	NUT, 3/8-16, HEX, LOCK, SST
11	71508-FS	2	WASHER, #8, FLAT, SST
12	06160600	1	COVER, SNSR, VEH-DET-PHOTOEYE, SST, LW20

STAND MOUNT PHOTOEYE TRANSMITTER W HEAT MOUNTING 11410040 09160034



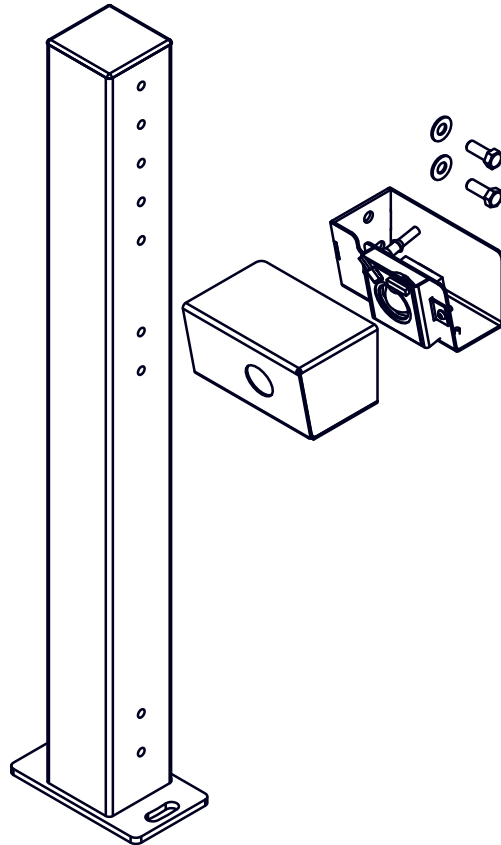
BOM ID	PartNo	Qty	Description
1	11410040	1	SNSR,PHOTOEYE,XMTR,VEH-DET,W/HEAT,STAND
2	05030067	2	WASHER,3/8,FLAT,7/8-OD,.050THK,SST
3	06141766	1	BRKT,STAND-MNT,VEH-DET-PHOTOEYE,SST,LW20
4	70180-HCS	2	SCREW,3/8-16x1.00,HHCS,SST
5	71013-NCS	2	NUT,3/8-16,HEX,LOCK,SST

STAND MOUNT PHOTOEYE TRANSMITTER W HEAT ASSEMBLY 11410040 09160034



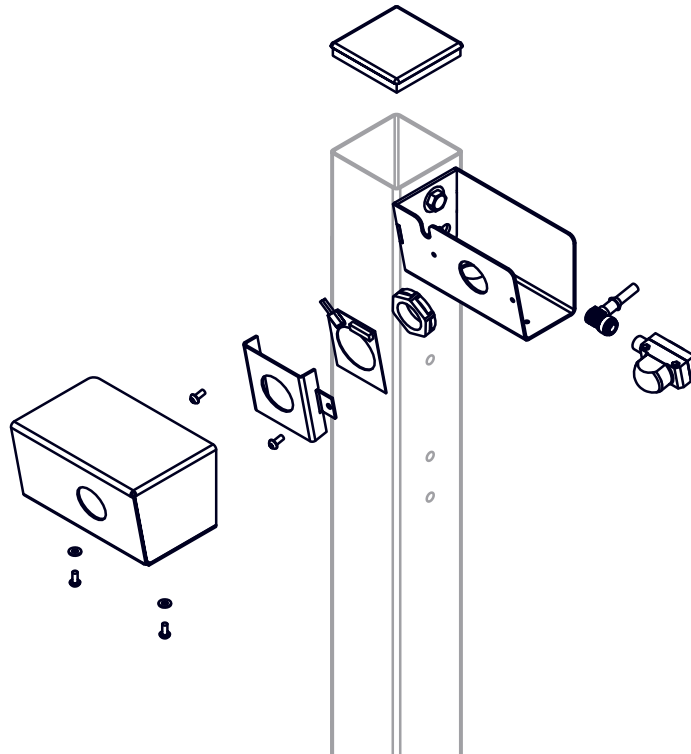
BOM ID	PartNo	Qty	Description
1	04070003	1	PHOTO-EYE, THRU-BEAM, XMTR, 30mm, BANNER-QS
2	06050152	1	HOUSING, MNT, SNSR, LONG-VEH-LOAD
3	04080040	1	CORDSET, 12mm, 5/22AWG, 90°, 60', PVC
4	04190036	1	HEATER, STRIP, 20W, 24VAC, W/THERMO, HOLE
5	06141767	1	BRKT, HEATER, VEH-DET-PHOTOEYE, SST, LW20
6	70033-SCS	4	SCREW, #8-32x.38, PRHMS, SST
7	71508-FS	2	WASHER, #8, FLAT, SST
8	06160600	1	COVER, SNSR, VEH-DET-PHOTOEYE, SST, LW20

STAND MOUNT PHOTOEYE RECIVER W HEAT ASSEMBLY FLOOR STANDS 11410032 09160034



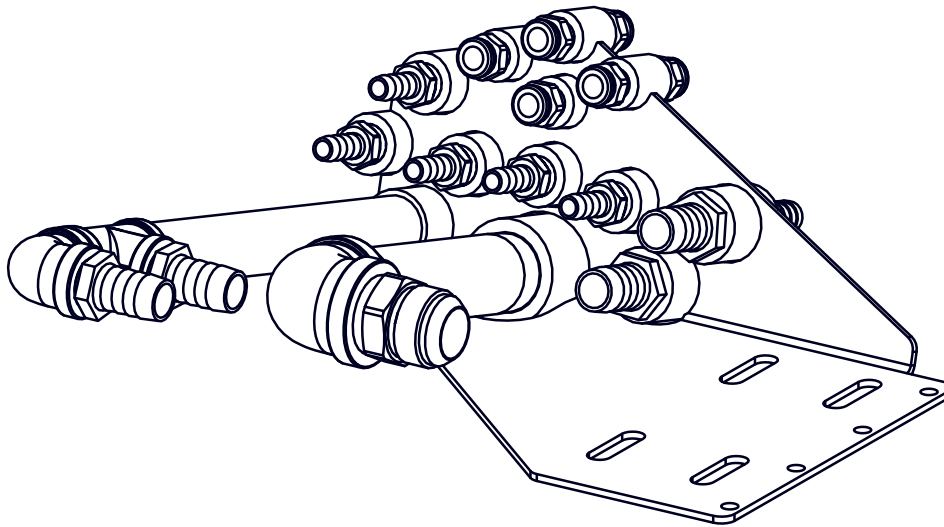
BOM ID	PartNo	Qty	Description
1	06250183	1	FRAME,WLD,STAND,VEH-DET-EYE,SST,LW20
2	11410042	1	SENSOR,PHOTOEYE,ASSY,RCVR,STAND-MTD,W/HE
3	70180-HCS	2	SCREW,3/8-16x1.00,HHCS,SST
4	05030067	2	WASHER,3/8,FLAT,7/8-OD,.050THK,SST

STAND MOUNT PHOTOEYE RECIVER W HEAT ASSEMBLY 11410032 09160034

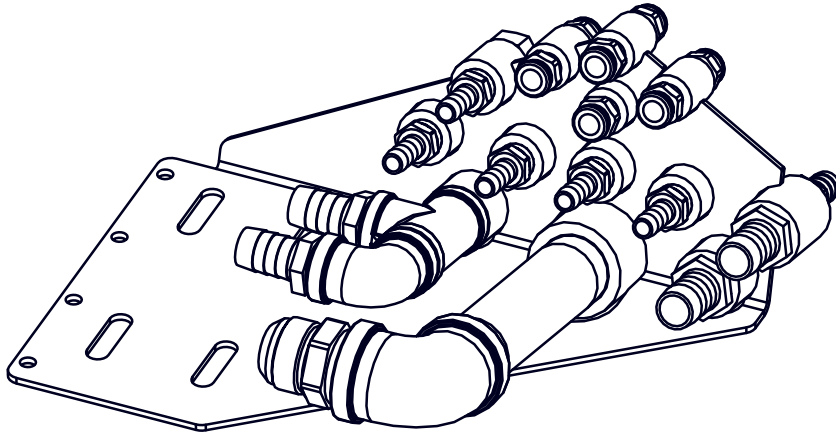


BOM ID	PartNo	Qty	Description
1	04070004	1	PHOTO-EYE, THRU-BEAM, RCVR, 30mm, BANNER-QS
2	06050152	1	HOUSING, MNT, SNSR, LONG-VEH-LOAD
3	04080040	1	CORDSET, 12mm, 5/22AWG, 90°, 60', PVC
4	04190036	1	HEATER, STRIP, 20W, 24VAC, W/THERMO, HOLE
5	06141767	1	BRKT, HEATER, VEH-DET-PHOTOTEYE, SST, LW20
6	70033-SCS	4	SCREW, #8-32x.38, PRHMS, SST
7	71508-FS	2	WASHER, #8, FLAT, SST
8	M690049	1	CAP, 3.00x3.00x.083 TUBE, ABS, BLK

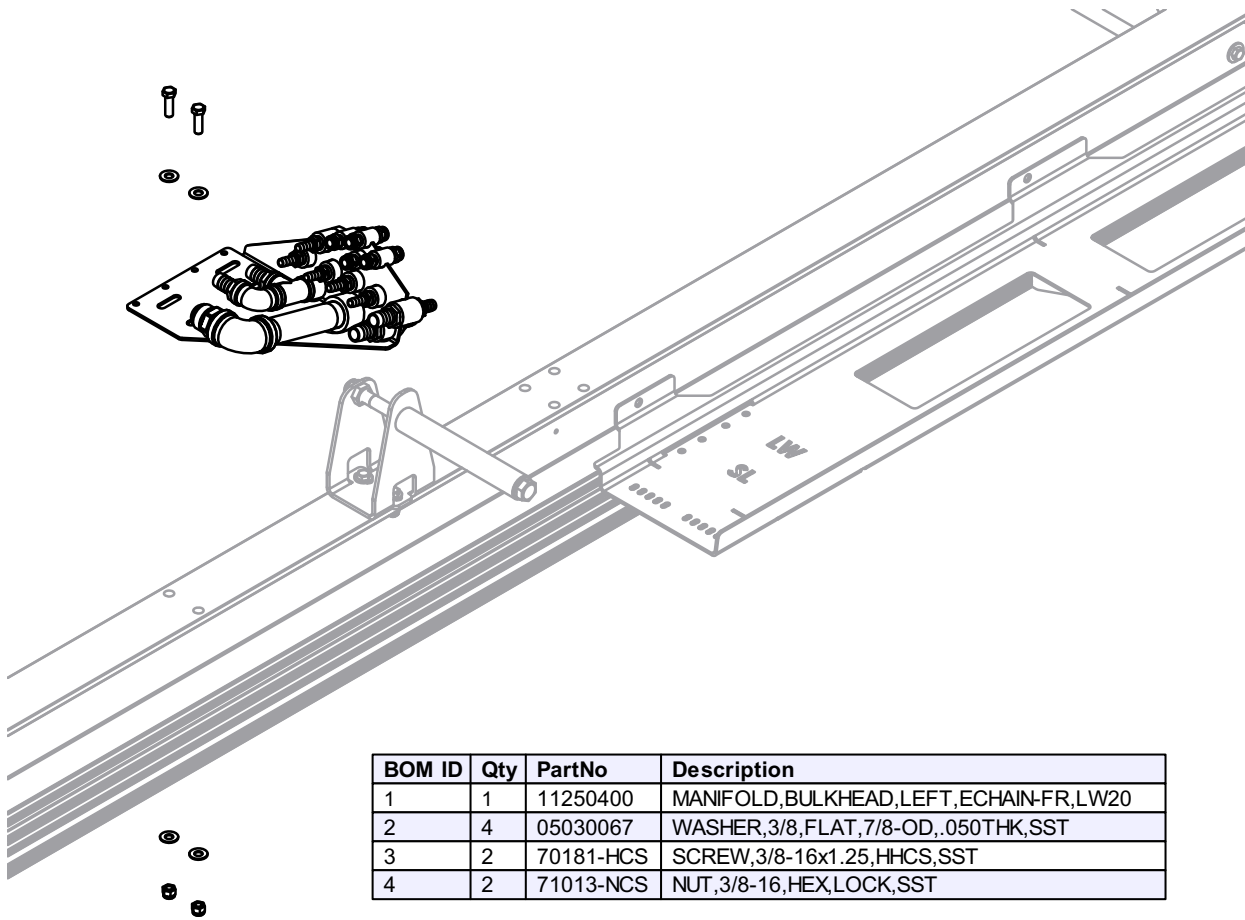
ECHAIN BULKHEAD MANIFOLD RH CONNECTIONS 11250401



ECHAIN BULKHEAD MANIFOLD LH CONNECTIONS 11250400

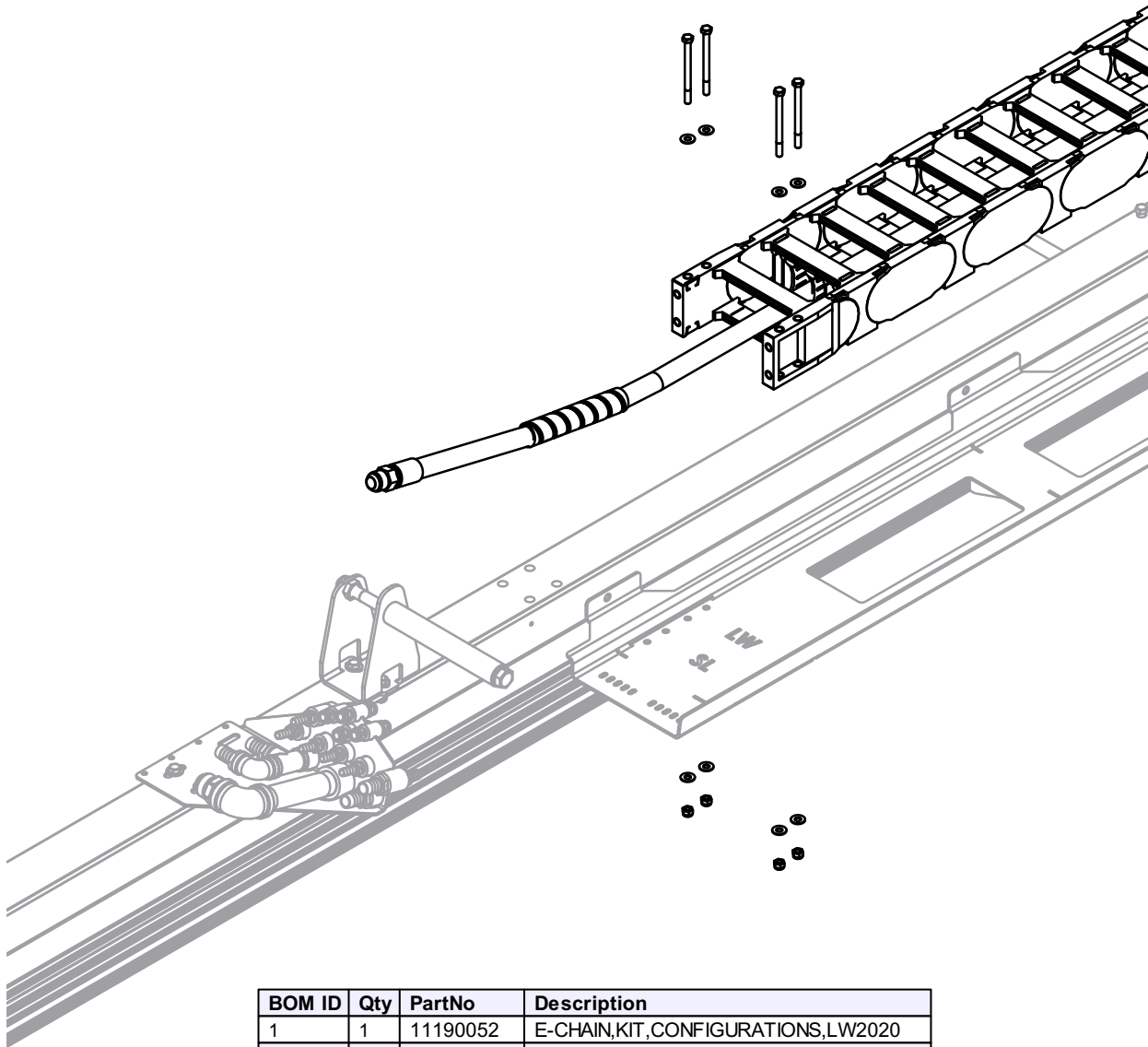


ECHAIN BULKHEAD MANIFOLD LH 11250400



BOM ID	Qty	PartNo	Description
1	1	11250400	MANIFOLD,BULKHEAD,LEFT,ECHAIN-FR,LW20
2	4	05030067	WASHER,3/8,FLAT,7/8-OD,.050THK,SST
3	2	70181-HCS	SCREW,3/8-16x1.25,HHCS,SST
4	2	71013-NCS	NUT,3/8-16,HEX,LOCK,SST

ECHAIN FRAME END MOUNTING 11190052



BOM ID	Qty	PartNo	Description
1	1	11190052	E-CHAIN,KIT,CONFIGURATIONS,LW2020
2	4	70157-HCS	SCREW,5/16-18x4.00,HHCS,SST
3	4	71012-NCS	NUT,5/16-18,HEX,LOCK,SST
4	8	71512-FS	WASHER,5/16,FLAT,SST

