

Tandem Surflin

PPC Catalog

PDQ has taken our Tandem product to a new level, changing the friction in-bay automatic wash industry with a soft-touch machine like no other. The Tandem Surflin provides your customers with an exceptional wash experience incorporating an overhead design that creates a wide-open, easy-to-use wash bay. This innovative design is safe and inviting for your customers while offering all the revenue-generating features that will keep them coming back again and again. No other friction machine navigates around the vehicle as precisely as the Tandem Surflin, which ensures complete and optimal cleaning coverage for a wide variety of vehicle types, including dualys.



Table of Contents

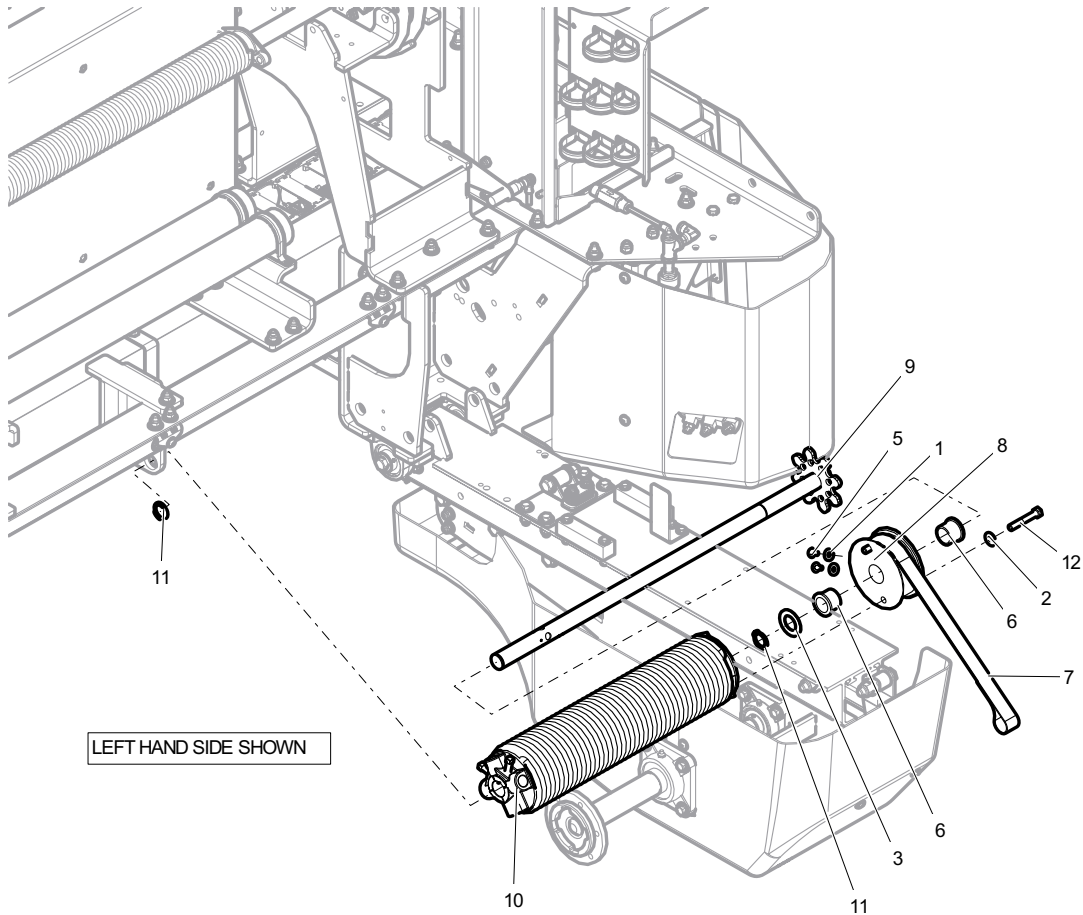
BACK BRIDGE TOP BRUSH ELEVATOR LEFT HAND SIDE-11170020	6
FRONT BRIDGE TROLLEY MOTOR GEARBOX 11150051	7
HORIZONTAL MAIN RAIL SUPPORT WALL-MOUNT BRACKET WIDE BAY 09050047	8
BRIDGE DRIVE BELT TENSIONER 06141529	9
BRIDGE DRIVE BELT TENSIONER 06141529	10
CONTROL BOX SYSTEM STOP 11010113	11
SOLUTION PUMP COVER KIT 00260145	12
PRODUCTIVITY PANEL COVER KIT 11260146	13
FRONT BRIDGE HIGH VOLUME RINSE MANIFOLD 09170175	14
FRONT BRIDGE OVERGLOW MANIFOLD 09170179	15
BACK BRIDGE SUPER SEALANT MANIFOLD 09170178	16
BACK BRIDGE FOAMING WAX MANIFOLD 09170180	17
FRONT BRIDGE 3X FOAM MANIFOLD 09170177	18
FRONT BRIDGE FRONT PREP CENTER UPPER MANIFOLD 09170174 11250349	19
FRONT BRIDGE FRONT PREP CENTER EXIT MANIFOLD 09170174 11250259	20
FRONT BRIDGE FRONT PREP MANIFOLD 09170174	21
SOLUTION PUMP FRONT PREP MANIFOLD 09170174 11250330	22
FRONT BRIDGE FRONT PREP FOAMER MANIFOLD 11250333	23
BACK BRIDGE TOP BRUSH ELEVATOR GEARBOX-06280075	24
BACK BRIDGE TOP BRUSH EXTENSION ELEVATOR-11170019	25
13ft-6in TO 14ft-4in BAY WALL-MOUNT BRACKETS-09050049	26
14ft-4in TO 16ft-1in BAY WALL-MOUNT BRACKETS-09050048	27
16ft-1in TO 18ft-1in BAY WALL-MOUNT BRACKETS-09050047	28
BAYGLOW-JUNCTION BOX	29
4 AND 8 LIGHT LOADING LIGHT MOUNTING BRACKET	30
2 AND 6 LIGHT JUMPER HARNESS	31
4 AND 8 LIGHT JUMPER HARNESS	32
SHORT JUMPER HARNESS	33
POWER SUPPLY LEADER	34
LIGHT MOUNTING SPACER	35
RAIL LIGHT MOUNTING BRACKET	36
LIGHT CHANNEL BRACKET	37
CENTER MOUNT BRACKET	38
8 LIGHT 360 PLUS TDMSL ALL	39
SOLUTION PANEL INLET HOSES-11050105	40
HIGH PRESSURE PUMP STATION HOSES-09070165	41
FRONT BRIDGE TROLLEY BELT TENSIONER 09140038	42
HIGH PRESSURE PUMP STATION CONTROL BOX IO MODULE CIRCUIT BREAKER 11010190	43
HIGH PRESSURE PUMP STATION CONTROL BOX TERMINALS FUSES 11010190	44
HIGH PRESSURE PUMP STATION CONTROL BOX LABELS 11010190	45
FRONT BRIDGE OPTIONAL ELECTRICAL FREQUENCY DRIVE VFD MODULE 11010350	46
FRONT BRIDGE OPTIONAL ELECTRICAL CIRCUIT BREAKERS GROUNDING LUGS 11010350	47
FRONT BRIDGE OPTIONAL ELECTRICAL TERMINALS FUSES 11010350	48
FRONT BRIDGE OPTIONAL ELECTRICAL IO MODULE GROUNDING STRAP 11010350	49
FRONT BRIDGE OPTIONAL ELECTRICAL IO MODULE BACK PANEL 11010350	50
FRONT BRIDGE ELECTRICAL CIRCUIT BREAKERS 11010349	51
FRONT BRIDGE ELECTRICAL TERMINAL BLOCK GROUND 11010349	52
FRONT BRIDGE ELECTRICAL FEQUENCY DRIVE 11010349	53
FRONT BRIDGE ELECTRICAL CIRCUIT BOARDS IO MODULE 11010349	54
FRONT BRIDGE ELECTRICAL TERMINALS FUSES 11010349	55
FRONT BRIDGE DRYERS INNER PRODUCER-11100215	56
FRONT BRIDGE DRYERS OUTER PRODUCER-11100204	57
FRONT BRIDGE FIXED INTERGRATED DRYER-09040227	58
FRONT BRIDGE FIXED INTERGRATED DRYER-09040227	59
FRONT BRIDGE SWING AIR INTERGRATED DRYER-09040217	60
FRONT BRIDGE SWING AIR INTERGRATED DRYER-09040217	61
FRONT BRIDGE DRYERS INNER PRODUCER-11100215	62
FRONT BRIDGE DRYERS OUTER PRODUCER-11100204	63

FRONT BRIDGE 3X FOAM APPLICATOR 11250260	64
BACK BRIDGE ECHAIN CONTENTS-11190049 11190051	65
BACK BRIDGE ECHAIN-11190049 11190051	66
FRONT BRIDGE PRODUCTIVITY RINSE APPLICATOR-11250289	67
FRONT BRIDGE OVERGLOW LED LIGHTS-11250219	68
FRONT BRIDGE OVERGLOW APPLICATION MANIFOLD-11250219	69
BACK BRIDGE LED LIGHTS-09020260	70
BACK BRIDGE TOP BRUSH PIVOT RIGHT HAND-11080121	71
FRONT BRIDGE OCILLATING DRYER INNER PRODUCER-11100215	72
CONFIRMATION SIGNAGE DECALS-09020116	73
FRONT BRIDGE ECHAIN CONTENTS	74
FRONT BRIDGE ECHAIN CONTENTS-11190048 11190050	75
BACK BRIDGE ECHAIN CONTENTS	76
SERVICE CONFIRMATION SIGN-09020256	77
BACK BRIDGE RH SIDE COVERS PPC	78
BACK BRIDGE LH SIDE COVERS PPC	79
BACK BRIDGE TOP BRUSH-06500072	80
BACK BRIDGE FIXED SIDE ARCH-11250362	81
FRONT BRIDGE DRYERS MOUNTING BRACKET-09040217	82
FRONT BRIDGE DRYERS MOTORS BRACKET-09040217	83
FRONT BRIDGE DRYER OSILLATOR-11170026	84
BAY BOX TERMINALS 11010305	85
BAY BOX NODE COMPONENTS-11010305	86
SOLUTION PUMP GROUNDING BAR CONTACTOR-11010353	87
SOLUTION PUMP TERMINALS-11010353	88
SOLUTION PUMP CIRCUIT BREAKER-11010353	89
SOLUTION PUMP IO MONITOR-11010353	90
SOLUTION PUMP ELECTRICAL ENCLOSURE-11010353	91
HIGH PRESSURE PUMP STATION CAT PUMP 208 230 460-11050133	92
HIGH PRESSURE PUMP STATION CAT MOTOR 208 230 460-11050133	93
HIGH PRESSURE PUMP STATION EMPEROR MOTOR 208 230 460-11050131	94
HIGH PRESSURE PUMP STATION EMPEROR PUMP 208 230 460-11050131	95
HIGH PRESSURE PUMP STATION AR PUMP 208 230 460-11050122	96
BACK BRIDGE TRUCKS-11220013	97
FRONT BRIDGE TRUCKS 11150051	98
FRONT BRIDGE GEARBOX DRIVE 11170022	99
FRONT BRIDGE TROLLEY TRUCKS-11150051	100
BACK BRIDGE OPTIONAL ELECTRICAL WIRING DUCTS-11010316	101
BACK BRIDGE OPTIONAL ELECTRICAL CIRCUIT BOARD IO MONITOR-11010316	102
BACK BRIDGE OPTIONAL ELECTRICAL PANEL TERMINALS FUSES-11010316	103
BACK BRIDGE OPTIONAL ELECTRICAL PANEL FREQUENCY DRIVE-11010316	104
BACK BRIDGE OPTIONAL ELECTRICAL PANEL STRAIN RELIEFS-11010316	105
BACK BRIDGE STANDARD ELECTRICAL TERMINALS FUSES-11010351	106
BACK BRIDGE STANDARD ELECTRICAL CIRCUIT BOARDS-11010351	107
BACK BRIDGE STANDARD ELECTRICAL STRAIN RELIEFS-11010351	108
BACK BRIDGE FREQUENCY DRIVE TERMINALS-11010351	109
BACK BRIDGE ELECTRICAL CONTROL PANELS-09140039	110
BACK BRIDGE FLUID MANIFOLDS-09140039	111
BACK BRIDGE SUPER SEALANT MANIFOLD-11250340	112
BACK BRIDGE SOLUTION MANIFOLDS-09140039	113
BACK BRIDGE VALVE PANEL FOAM MANIFOLD-11030150	114
BACK BRIDGE VALVE PANEL HIGH PRESSURE MANIFOLD-11030150	115
BACK BRIDGE TOP BRUSH ELEVATOR-11170020	116
BACK BRIDGE GEARBOX TIMING PULLEY-11170023	117
BACK BRIDGE IDLER PULLEYS-11170023	118
BACK BRIDGE TOP BRUSH ARM GEARBOX-11170024	119
BACK BRIDGE TOP BRUSH ARM COVER FRAME-11170024	120
BACK BRIDGE TOP BRUSH ROTATE COVER-11170024	121
BACK BRIDGE COMPONENTS-09140039	122
RIGHT HAND TROLLEY FRAME-11220006	123

BACK BRIDGE WHEEL SCRUB PHOTO EYE-11220006	124
RIGHT HAND TROLLEY PROX SENSORS-11220006	125
RIGHT HAND TROLLEY TIMING PULLEYS IDLER-11220006	126
RIGHT HAND TROLLEY TRUCKS ROLLERS-11220006	127
RIGHT HAND TROLLEY JUNCTION BOX-11220006	128
BACK BRIDGE WHEEL SCRUB BRUSH GEARBOX-11130034	129
BACK BRIDGE WHEEL SCRUB HOSE CONNECTIONS-11220006	130
RIGHT HAND WHEEL CLEANER HOSE CONNECTIONS	131
RIGHT HAND TROLLEY GEARBOX-11220006	132
RIGHT HAND TROLLEY COVER FRAME-11220006	133
RIGHT HAND TROLLEY ECHAIN-11220006	134
BACK BRIDGE SIDE ARCH ULTRASONICS-11220006	135
BACK BRIDGE WHEEL CLEANER MANIFOLD-11250326	136
BACK BRIDGE WHEEL SCRUB MANIFOLD-11250326	137
BACK BRIDGE SIDE ARCH BREAKAWAY COVER LED BAR-11220006	138
BACK BRIDGE WHEEL CLEANER COVERS-11350462	139
BACK BRIDGE WHEEL SCRUB COVERS-11350462	140
BACK BRIDGE STYLE DECALS-06180075	141
BACK BRIDGE WHEEL SCRUB GEARBOX MOUNTING-11220006	142
BACK BRIDGE SIDE ARCH MANIFOLD-11220006	143
BACK BRIDGE SIDE ARCH BREAKAWAY-11220006	144
BACK BRIDGE WHEEL SCRUB CHEMICAL MANIFOLD=11220006	145
BACK BRIDGE WHEEL SCRUB NOZZLES-11220006	146
PRODUCTIVITY JUNCTION BOX COMPONENTS-11050158	147
PRODUCTIVITY PANEL JUNCTION BOX-11050158	148
PRODUCTIVITY PANEL INLET HOSES-11050158	149
PRODUCTIVITY PANEL INLET MANIFOLD11050158	150
PRODUCTIVITY PANEL INJECTOR MANIFOLD-11050158	151
HIGH PRESSURE PUMP STATION OUTLET MANIFOLD-09070165	152
HIGH PRESSURE PUMP STATION INLET MANIFOLD-09070165	153
HIGH PRESSURE PUMP STATION AR MOTOR 208 230 460-09070182	154
HIGH PRESSURE PUMP STATION FRAME ELECTRICAL ENCLOSURE-09070165	155
HIGH PRESSURE PUMP STATION WATER TANK-09070165	156
FRONT BRIDGE FOAMING AIR VALVE-11030136	157
FRONT BRIDGE OVERGLOW FOAMING MANIFOLD-11250322	158
FRONT BRIDGE FOAMER-MANIFOLD-11030151	159
FRONT BRIDGE RIGHT HAND SIDE BRUSH MOTORS-11220054	160
FRONT BRIDGE ELECTRICAL BOXES RACEWAYS-09140038	161
FRONT BRIDGE RIGHT HAND UTILITY GUIDE-09140038	162
FRONT BRIDGE LH SIDE COVERS-09140038	163
FRONT BRIDGE RH SIDE COVERS-09140038	164
FRONT BRIDGE EXIT COVER-09140038	165
FRONT BRIDGE ECHAIN-06240851	166
MAIN RAIL BRIDGE ECHAIN BULKHEAD FITTINGS RH FEEDS-11250325	167
MAIN RAIL BULKHEAD FITTINGS-11250325	168
IN-BAY INSTRUCTIONAL SIGN INTERNAL-09020252	169
IN-BAY INSTRUCTIONAL SIGN EXTERNAL-09020252	170
IN-BAY INSTRUCTIONAL SIGN MOUNT BRACKET-09050048	171
HORIZONTAL MAIN RAIL SUPPORT WALL-MOUNT BRACKET-09050048	172
FRONT BRIDGE ENTRANCE COVER LIGHTS-09140038	173
FRONT BRIDGE ENTRANCE COVER MOUNT-09140038	174
FRONT BRIDGE ENTRANCE COVER DECALS-09140038	175
FRONT BRIDGE RIGHT HAND TROLLEY ECHAIN-11220054	176
FRONT BRIDGE RIGHT HAND TROLLEY DRIVE-11220054	177
FRONT BRIDGE RIGHT HAND SIDE BRUSH SHAFT-11220054	178
FRONT BRIDGE RIGHT HAND TROLLEY COVERS-11220054	179
FRONT BRIDGE RIGHT HAND SIDE BRUSH-06500081	180
PUMP STATION COVERS-11260147	181
FREE STANDING FRAME RAIL END SUPPORTS-09050036	182
FREE STANDING FRAME X-BRACE END FASTENERS-09050036	183
FREE STANDING X-BRACE-09050036	184

FREE STANDING FRAME CENTER RAIL SUPPORT BRACKET-09050036	185
FREE STANDING FRAME CORNER LEG SUPPORT BRACKET FASTENERS-09050036	187
FREE STANDING FRAME ENTRANCE CROSS BEAM-09050036	188
FREE STANDING FRAME EXIT CROSS BEAM-09050036	189
FREE STANDING FRAME CORNER LEG SUPPORT BRACKET-09050036	190
FREE STANDING FRAME 8-LEG MOUNT-09050036	191
SOLUTION PANEL INLET MANIFOLDS-11050105	192
SOLUTION PANEL INJECTOR MANIFOLD-11050105	193
MAIN RAIL ECHAIN SUPPORT ROLLER-11150057	194
FREE STANDING FRAME X-BRACE CENTER FASTENERS-09050036	195

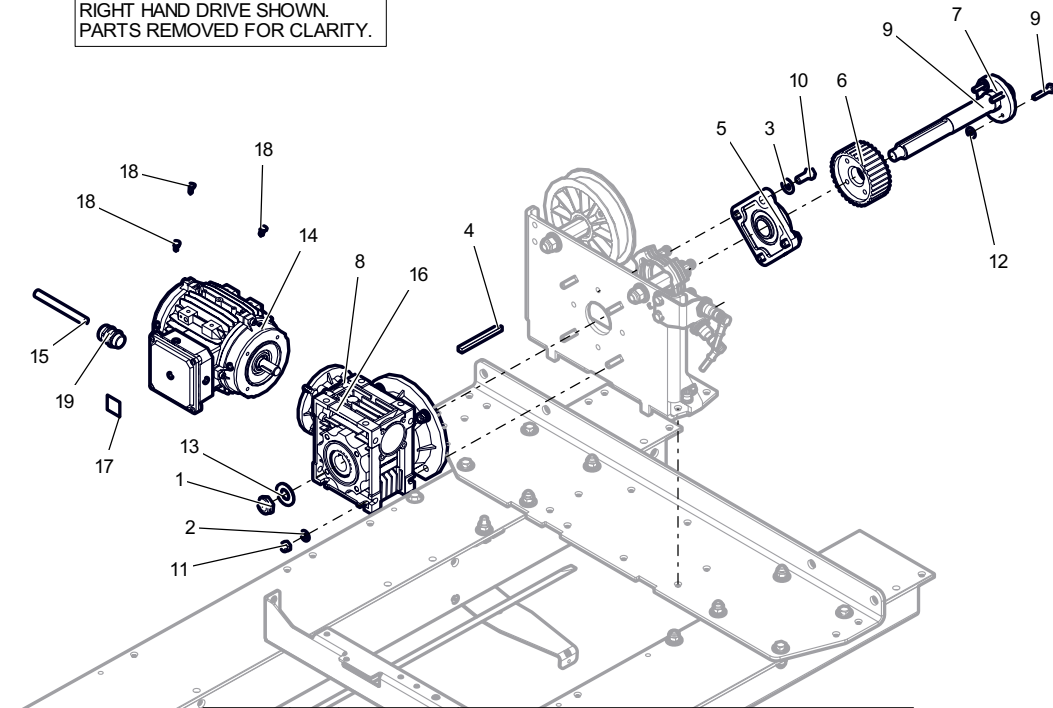
BACK BRIDGE TOP BRUSH ELEVATOR LEFT HAND SIDE- 11170020



BOM ID	Qty	PartNo	Description
1	2	05030035	WASHER,M6,FENDER,SST
2	2	05030067	WASHER,3/8,FLAT,7/8-OD,.050THK,SST
3	1	05030077	WASHER,1,FLAT,1.75-OD,SST,MIL-SPEC
5	2	05040260	SCREW,1/4-20x.50,PTHMS,SST
6	2	06010029	BUSHING,FLANGE,1.00IDx1.25ODx1.00LG,BR
7	1	06020029	BELT,FLAT,1.00W,.1THK,TOP-BRUSH-PIVOT
8	1	06030056	PULLEY,FLAT-BELT,4.00DX1.53W,AL,TDMSL
9	1	06150207	SHAFT,PIVOT-SPRING,WELDMENT,SST,TDMSL
10	1	06350030	SPRING,TORSION,PIVOT,WHITE,TDMSL
11	2	13950	RETAINING-RING,1.00,EXT,SST
12	2	70185-HCS	SCREW,3/8-16x2.25,HHCS,SST

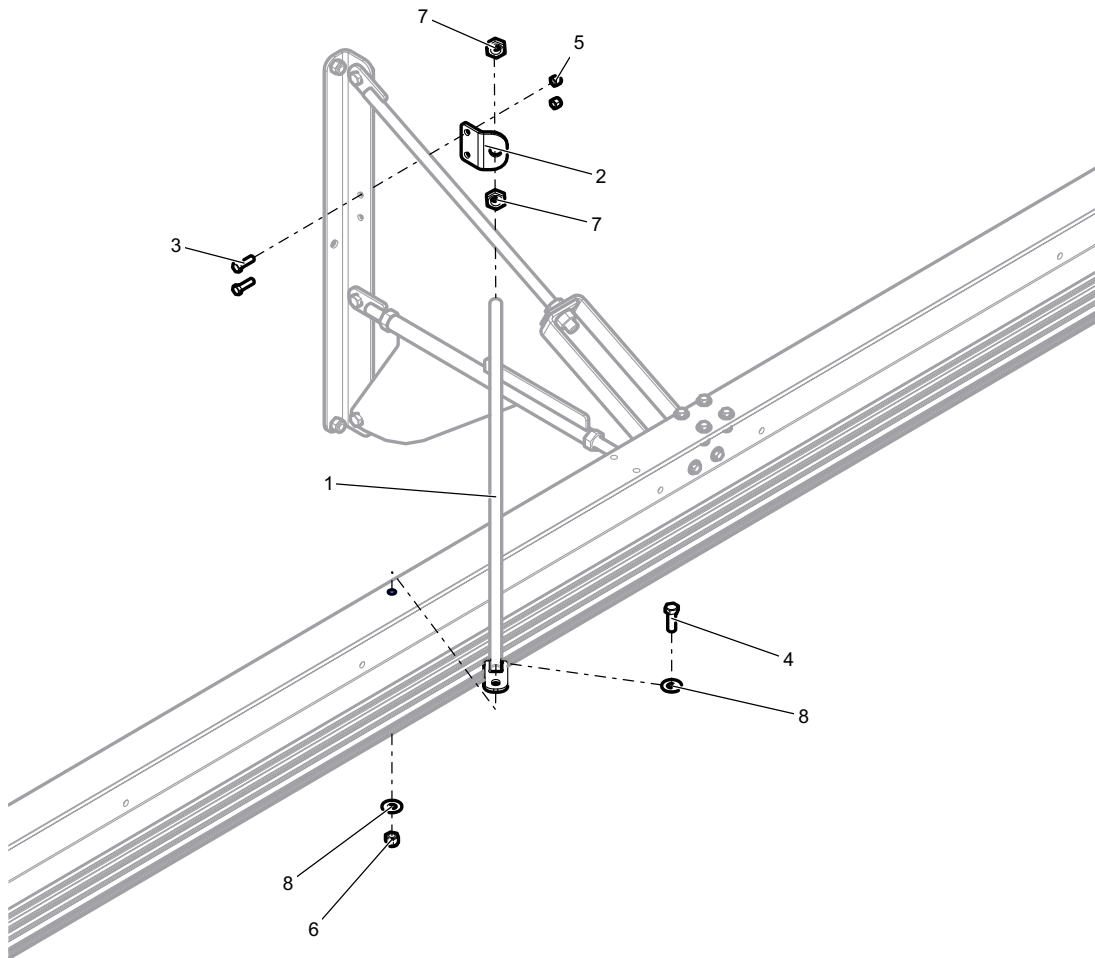
FRONT BRIDGE TROLLEY MOTOR GEARBOX 11150051

RIGHT HAND DRIVE SHOWN.
PARTS REMOVED FOR CLARITY.



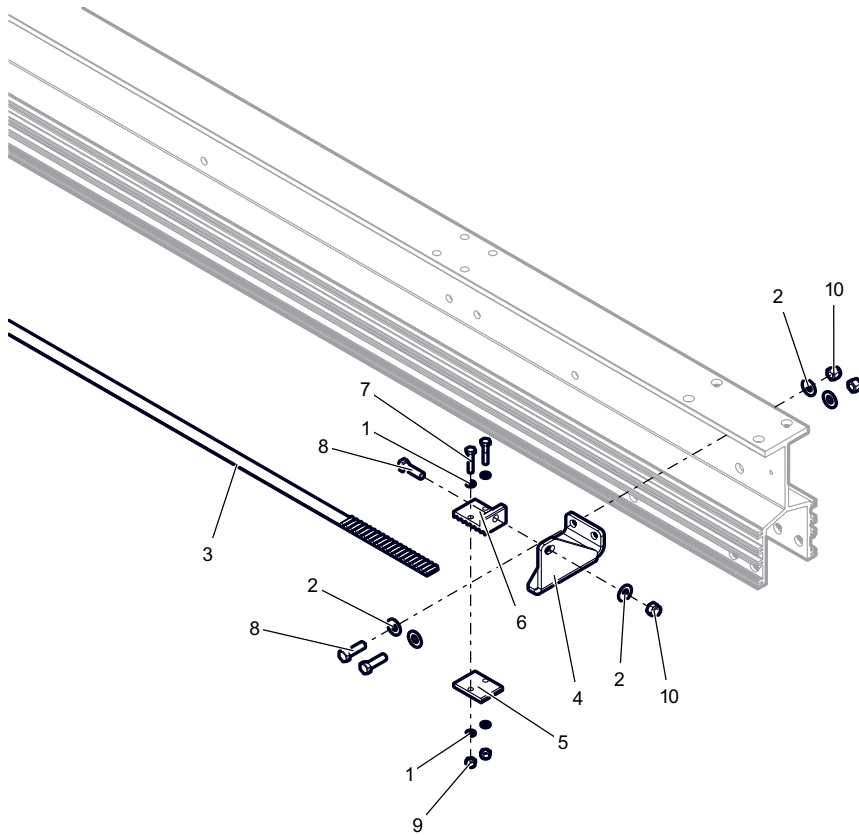
BOM ID	Qty	PartNo	Description
1	1	05020077	NUT, 5/8-11, HEX, LOCK, JAM, SST
2	4	05030022	WASHER, M8, FLAT, SST
3	4	05030067	WASHER, 3/8, FLAT, 7/8-OD, .050THK, SST
4	1	05120029	KEY, 8x7x80mm, 18-8-SST, UNDERSIZED
5	1	06010075	BEARING, FLANGE, 4BOLT, 1.000"BORE, SST, ABT
6	1	06030053	PULLEY, TIMING, 8M, 34T, 20W, PLASTIC, TDMSL
7	1	06150204	SHAFT, DRIVE, BRIDGE, WELDM, TDMSL
8	1	06280081	GEARBOX-MOTOR, RH-DRIVE, FB, TDMSL
9	4	70111-HCS	SCREW, 1/4-20x1.25, HHCS, SST
10	4	70179-HCS	SCREW, 3/8-16x.87, HHCS, SST
11	4	71012-NCS	NUT, 5/16-18, HEX, LOCK, SST
12	3	71511-FS	WASHER, 1/4, FLAT, SST
13	1	71517-FS	WASHER, 5/8, FLAT, SST
14	1	04120068	MOTOR, .5HP, 1680, IEC71, 208/460, TENV, FL
15	1	04080638	HARNESS, MOT, FR-BRDG, DR, RH, TANDEM SL
16	1	06280065	GEARBOX, RTANG, 20:1, IEC71, MRVC
17	1	02240027	LABEL, 1x1, DANGER-HIGH-VOLTAGE
18	3	03080035	PLUG, DRAIN, MOTOR, PP-PLASTIC
19	1	04450023	STRAIN-RELIEF, M20, .276-.492", GND-CONN

HORIZONTAL MAIN RAIL SUPPORT WALL-MOUNT BRACKET WIDE BAY 09050047



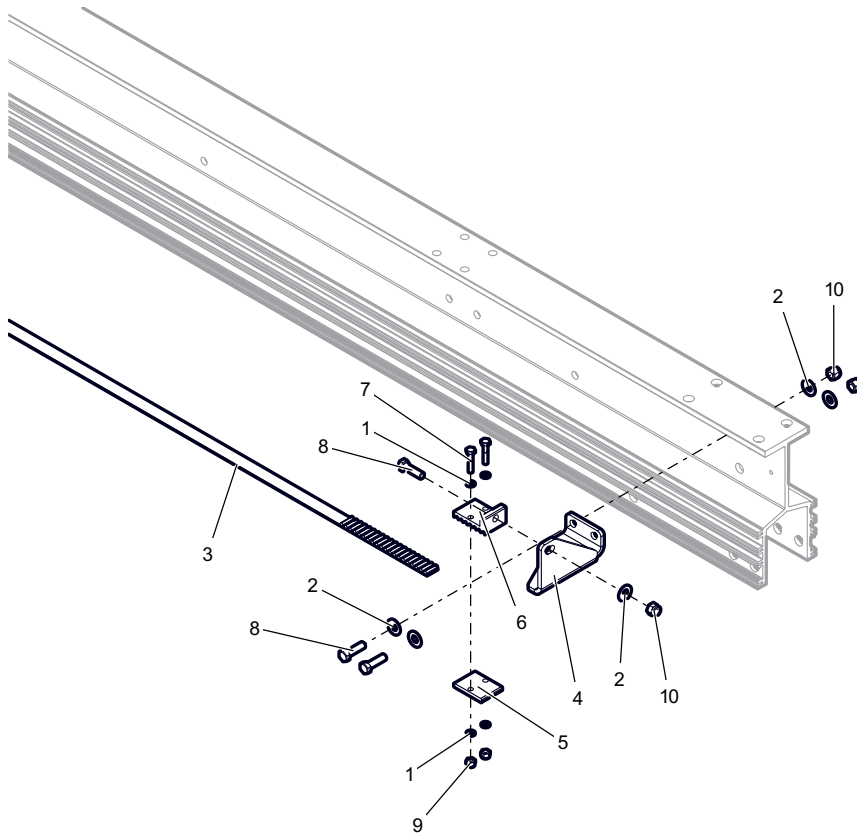
BOM ID	Qty	PartNo	Description
1	1	06180080	TIE-ROD,3/4NCX40.75,RAIL-MOUNT,SST
2	1	06141528	BRACKET,WALL-MNT,ROD-MNT,HORIZ,SST
3	2	70181-HCS	SCREW,3/8-16x1.25,HHCS,SST
4	1	70257-HCS	SCREW,1/2-13x1.50,HHCS,SST
5	2	71013-NCS	NUT,3/8-16,HEX,LOCK,SST
6	1	71015-NCS	NUT,1/2-13,HEX,LOCK,SST
7	2	71018-JCS	NUT,3/4-10,HEX,JAM,SST
8	2	71515-FSS	WASHER,1/2,FLAT,SST

BRIDGE DRIVE BELT TENSIONER 06141529



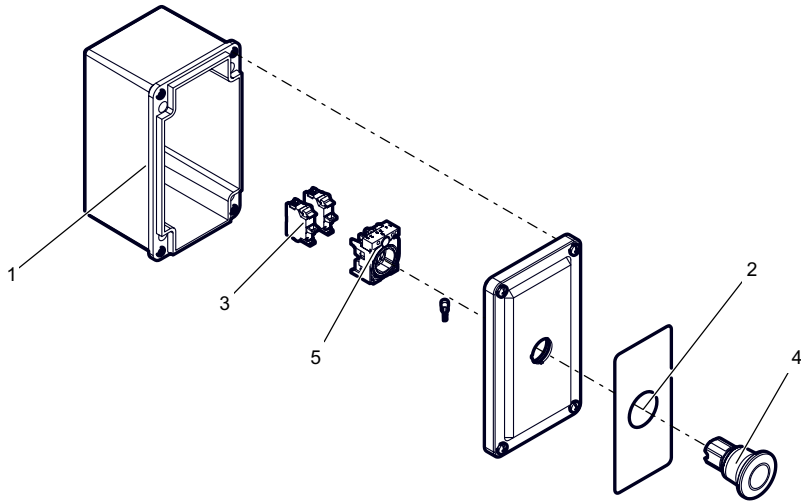
BOM ID	Qty	PartNo	Description
1	4	05030016	WASHER,M6,FLAT,SST
2	5	05030067	WASHER,3/8,FLAT,7/8-OD,.050THK,SST
3	1	06020026	BELT,HTD-8M,20x4712mm,TROLLEY-DRIVE
4	1	06141529	BRACKET,BELT-TENSIONING,BRIDGE,SST,TDMSL
5	1	06160473	COVER,BELT,RETAINER,MAX20mmWIDTH
6	1	06340042	BLOCK,BELT-RETAINER,8mmPITCH,20mmWIDE
7	2	70111-HCS	SCREW,1/4-20x1.25,HHCS,SST
8	3	70181-HCS	SCREW,3/8-16x1.25,HHCS,SST
9	2	71011-NCS	NUT,1/4-20,HEX,LOCK,SST
10	3	71013-NCS	NUT,3/8-16,HEX,LOCK,SST

BRIDGE DRIVE BELT TENSIONER 06141529



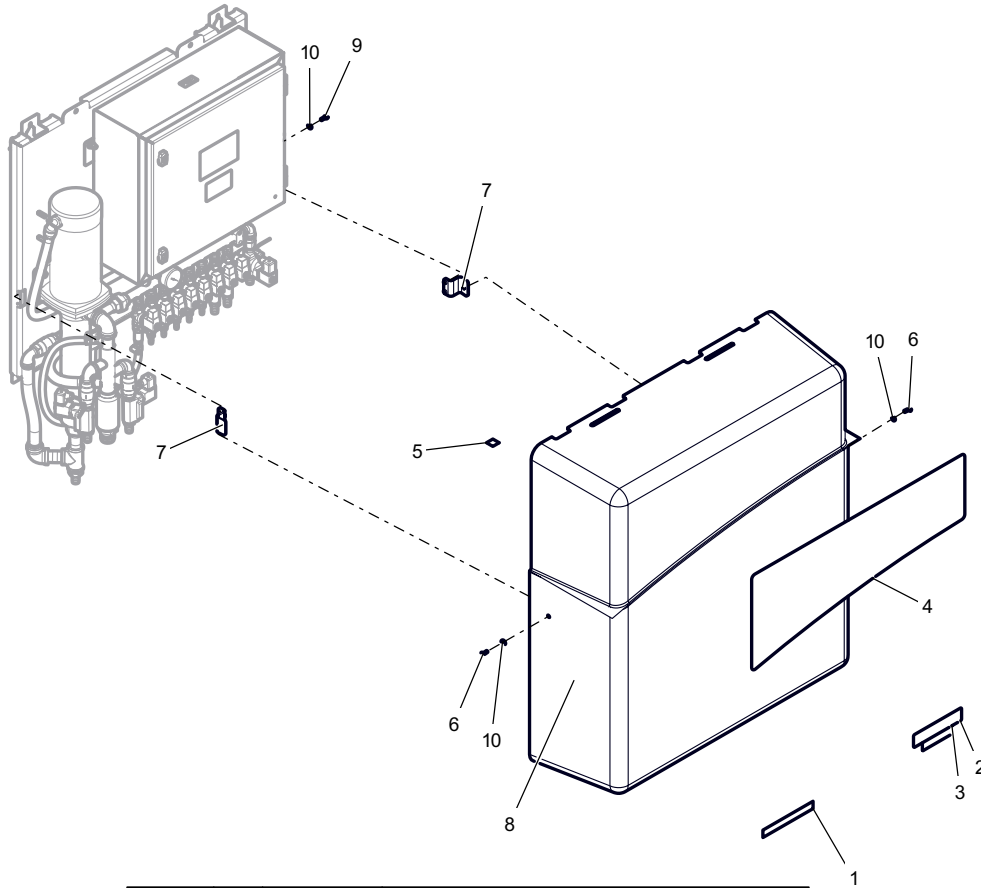
BOM ID	Qty	PartNo	Description
1	4	05030016	WASHER,M6,FLAT,SST
2	5	05030067	WASHER,3/8,FLAT,7/8-OD,.050THK,SST
3	1	06020026	BELT,HTD-8M,20x4712mm,TROLLEY-DRIVE
4	1	06141529	BRACKET,BELT-TENSIONING,BRIDGE,SST,TDMSL
5	1	06160473	COVER,BELT,RETAINER,MAX20mmWIDTH
6	1	06340042	BLOCK,BELT-RETAINER,8mmPITCH,20mmWIDE
7	2	70111-HCS	SCREW,1/4-20x1.25,HHCS,SST
8	3	70181-HCS	SCREW,3/8-16x1.25,HHCS,SST
9	2	71011-NCS	NUT,1/4-20,HEX,LOCK,SST
10	3	71013-NCS	NUT,3/8-16,HEX,LOCK,SST

CONTROL BOX SYSTEM STOP 11010113



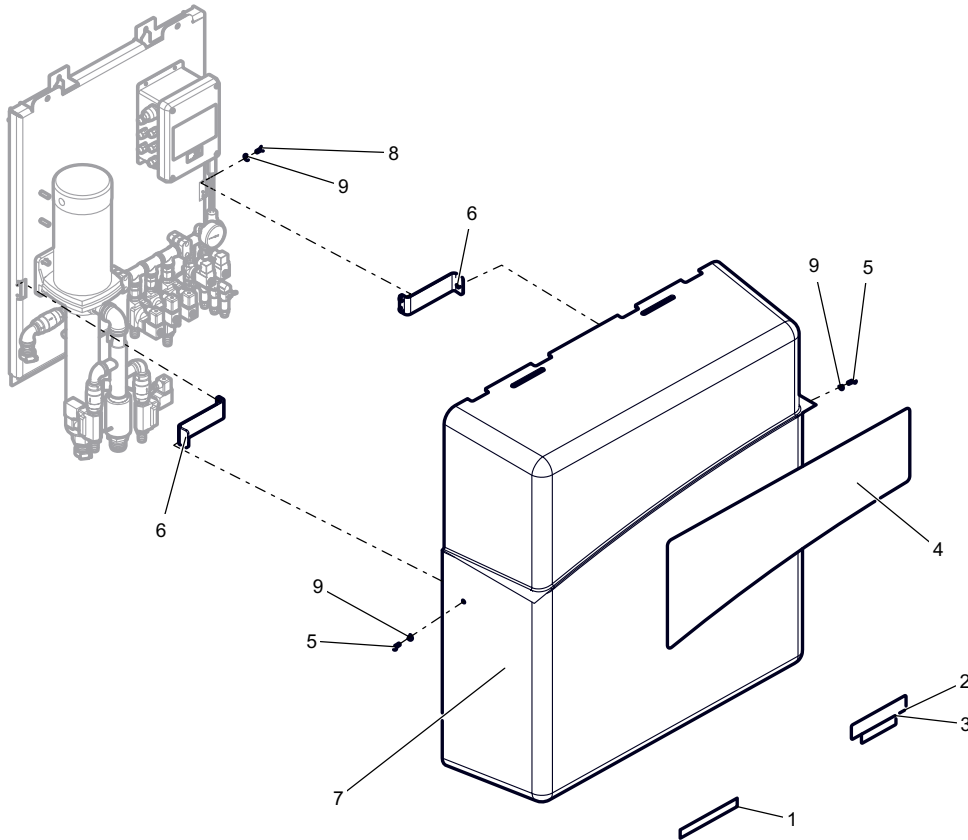
BOM ID	Qty	PartNo	Description
2	1	02030146	DECAL,SYSTEM-STOP,2.50x5.25,VINYL
3	2	04010011	CONTACT-BLOCK,PUSHBUTTON,1-NC
4	1	04040046	SWITCH,PUSH-PULL,MAINTAINED,22MM,BLK
5	1	04040048	HOLDER,CONTACT,BLOCK,3-POSITION
1	1	04090090	ENCLOSURE,1-HOLE,PB,FGL,22mm-HOLE

SOLUTION PUMP COVER KIT 00260145



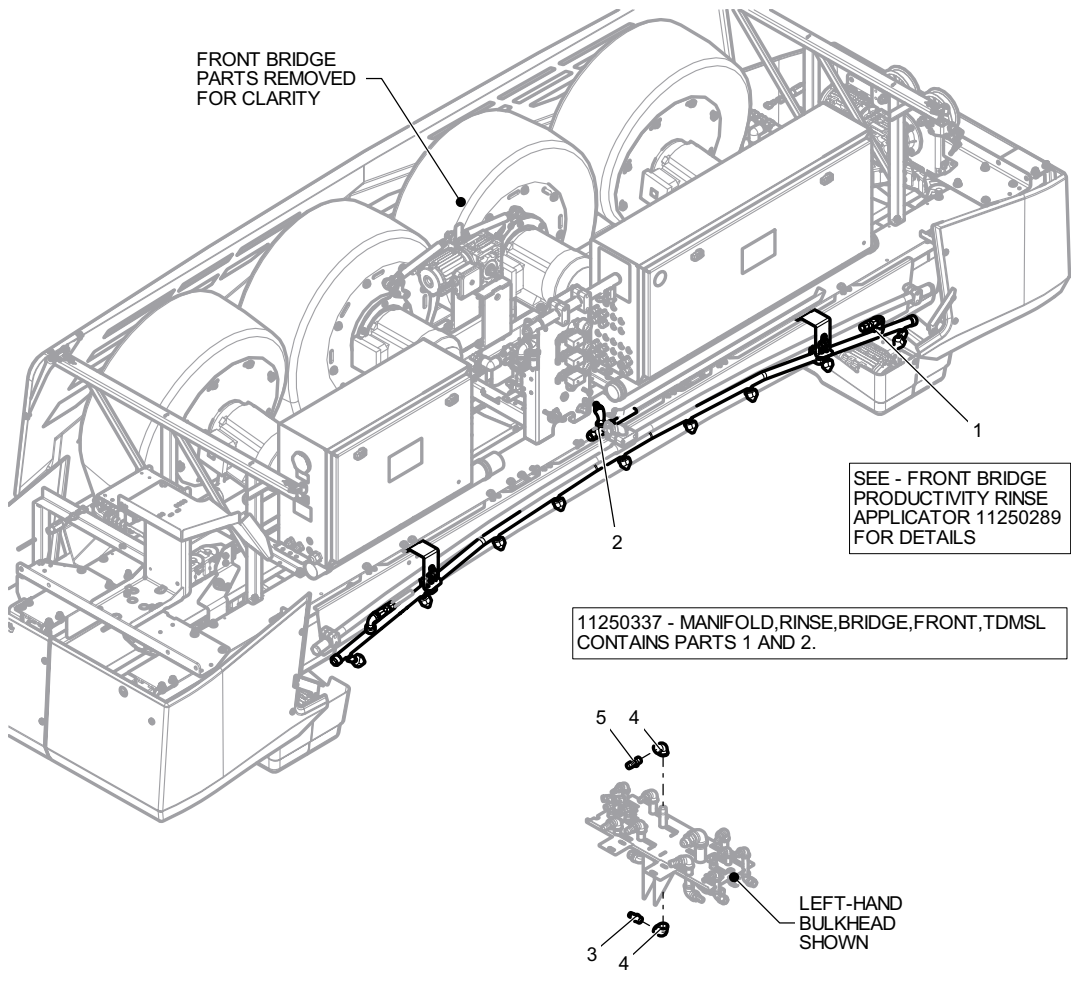
BOM ID	Qty	PartNo	Description
1	1	02030387	DECAL,COVER,WEB,SOL-PANEL,ICON
2	1	02030393	DECAL,PDQ-LOGO,7-1/2 x 1-3/4
3	1	02030429	DECAL,COVER,MADE-IN-USA
4	1	02030856	DECAL,COVER,LP-PUMPS,TDMSL
5	02240027	LABEL,1x1,DANGER-HIGH-VOLTAGE	
6	2	05040133	SCREW,1/4-20x.75,PTHMS,SST
7	2	06141230	BRACKET,SUPPORT,COVER,LP-PUMP,ICON
8	1	06160425	COVER,PUMP,LOW-PRESSURE,ICON
9	1	70108-HCS	SCREW,1/4-20x.75,HHCS,SST
10	3	71511-FS	WASHER,1/4,FLAT,SST

PRODUCTIVITY PANEL COVER KIT 11260146



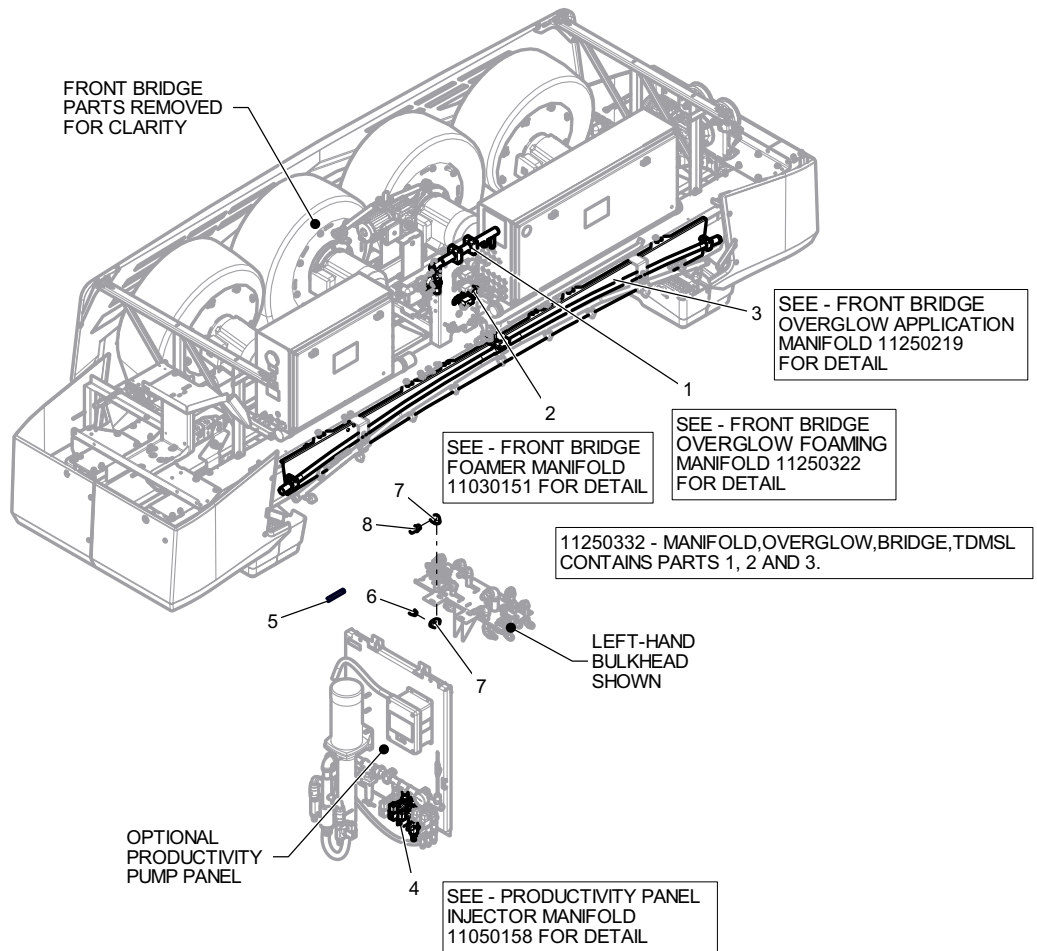
BOM ID	Qty	PartNo	Description
1	1	02030387	DECAL,COVER,WEB,SOL-PANEL,ICON
2	1	02030393	DECAL,PDQ-LOGO,7-1/2 x 1-3/4
3	1	02030429	DECAL,COVER,MADE-IN-USA
4	1	02030856	DECAL,COVER,LP-PUMPS,TDMSL
5	2	05040133	SCREW,1/4-20x.75,PTHMS,SST
6	2	06141591	BRACKET,SUPPORT,COVER,2ND-LP-PUMP,TDMSL
7	1	06160425	COVER,PUMP,LOW-PRESSURE,ICON
8	1	70108-HCS	SCREW,1/4-20x.75,HHCS,SST
9	3	71511-FS	WASHER,1/4,FLAT,SST

FRONT BRIDGE HIGH VOLUME RINSE MANIFOLD 09170175



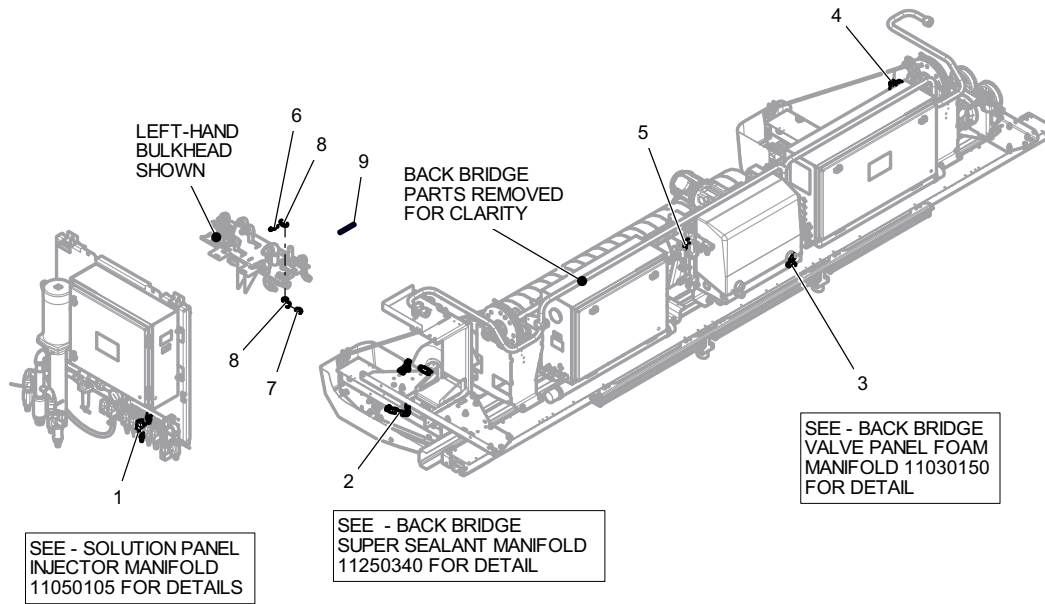
BOM ID	Qty	PartNo	Description
1	1	11250289	MANIFOLD,RINSE,PRODUCTIVITY,LW360P
2	1	11250336	MANIFOLD,FLUID,DISTRIB,HV-RINSE,TDMSL
3	1	03310046	HOSE-BARB,5/8Hx1/2MNPT,BRS
4	2	67406-4S	ELBOW,1/2NPT,90DEG,SC40,SST,SP114
5	1	68122-MHB	HOSE-BARB,3/4Hx1/2MNPT,BRS

FRONT BRIDGE OVERFLOW MANIFOLD 09170179



BOM ID	Qty	PartNo	Description
1	1	11250322	MANIFOLD,FOAMER,OVERFLOW,TDMSL
2	1	11030136	VALVE,AIR,FOAM-PANEL,DBL-ELBOW,LW360P
3	1	11250390	MANIFOLD,APPLICATOR,OVERFLOW,SL/360P-ADV
4	1	11250358	MANIFOLD,OVERFLOW,PUMP,TDMSL
5	1	01120012	TUBING,5/8ODX.06W,70PSI@70F,LLDPE,BLACK
6	1	03320069	TUBE-FTG,16mmTx1/2MNPT,BRASS
7	2	67406-4S	ELBOW,1/2NPT,90DEG,SC40,SST,SP114
8	1	68122-MHB	HOSE-BARB,3/4Hx1/2MNPT,BRS

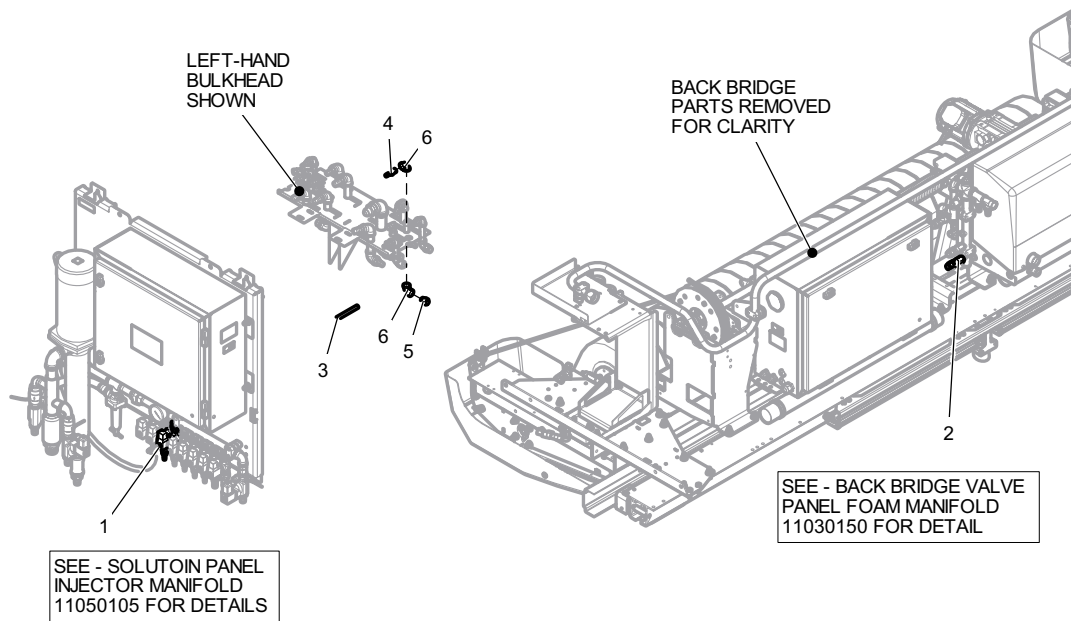
BACK BRIDGE SUPER SEALANT MANIFOLD 09170178



11250341-MANIFOLD,SUPER-SEAL,BRIDGE,TDMSL
CONTAINS PARTS 2, 3, 4, AND 5.

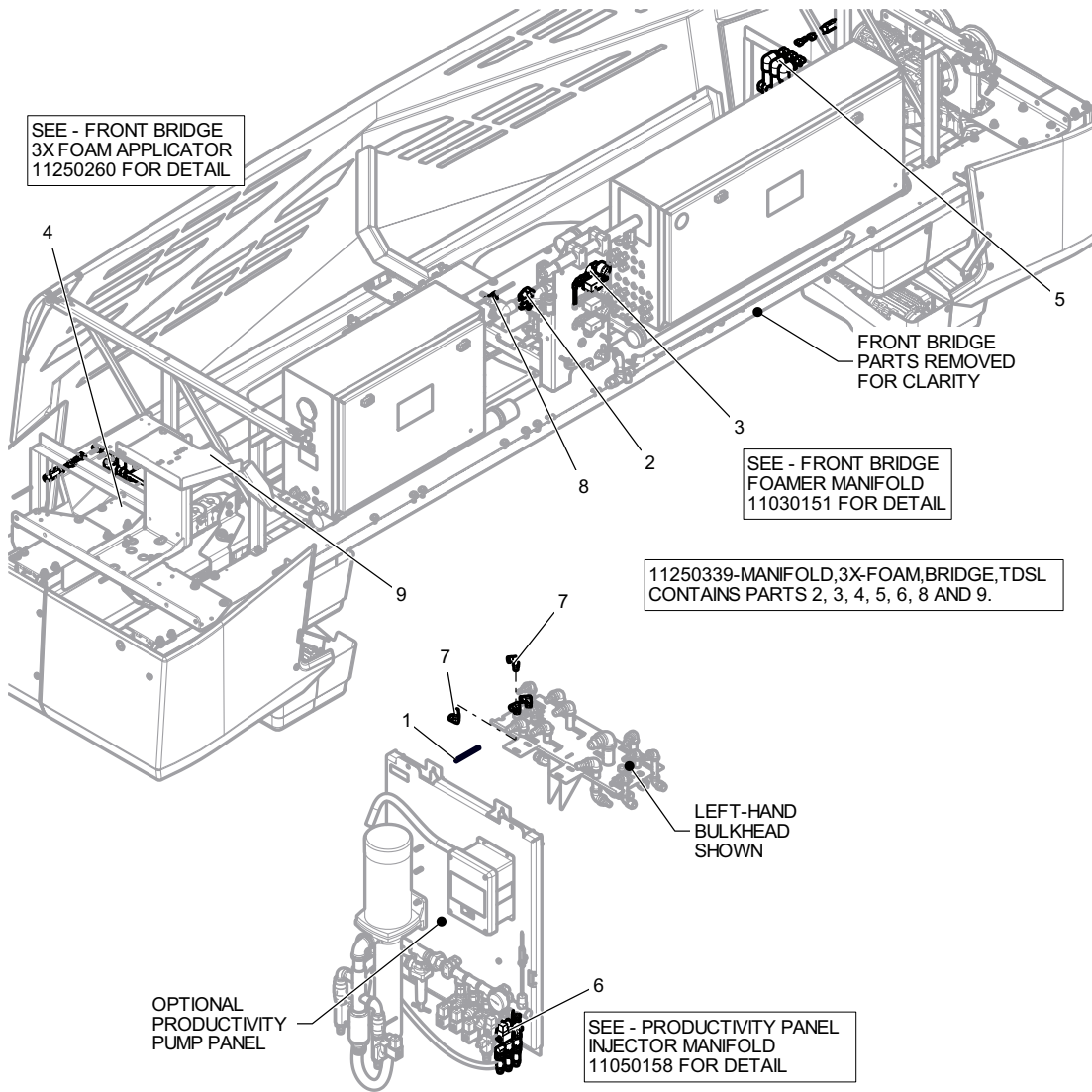
BOM ID	Qty	PartNo	Description
1	1	11250343	MANIFOLD,SUPER-SEALANT,PUMP,TDMSL
2	1	11250340-LH	MANIFOLD,APPLICATOR,SS,LH,TDMSL
3	1	11030157	VALVE,AIR,BB-VALVE-PANEL,SS,TDMSL
4	1	11250340-RH	MANIFOLD,APPLICATOR,SS,RH,TDMSL
5	1	03320051	TUBE-FTG,Y,1/2T x 3/8T,PUSH,PLST
6	1	03310038	HOSE-BARB,3/8Hx3/8MNPT,SST
7	1	03320070	TUBE-FTG,CONN,1/2T x 3/8NPT,PUSH,BRASS
8	2	67404-4S	ELBOW,3/8NPT,90DEG,SC40,SST,SP114
9	1	01120019	TUBING,1/2ODX.06W,150PSI@70F,LLDPE,BLACK

BACK BRIDGE FOAMING WAX MANIFOLD 09170180



BOM ID	Qty	PartNo	Description
1	1	11250356	MANIFOLD,FOAMING-WAX,PUMP,TDMSL
2	1	11250367	MANIFOLD,FOAMING-WAX,BRIDGE,TDMSL
3	1	01120019	TUBING,1/2ODX.06W,150PSI@70F,LLDPE,BLACK
4	1	03310038	HOSE-BARB,3/8Hx3/8MNPT,SST
5	1	03320070	TUBE-FTG,CONN,1/2Tx3/8NPT,PUSH,BRASS
6	2	67404-4S	ELBOW,3/8NPT,90DEG,SC40,SST,SP114

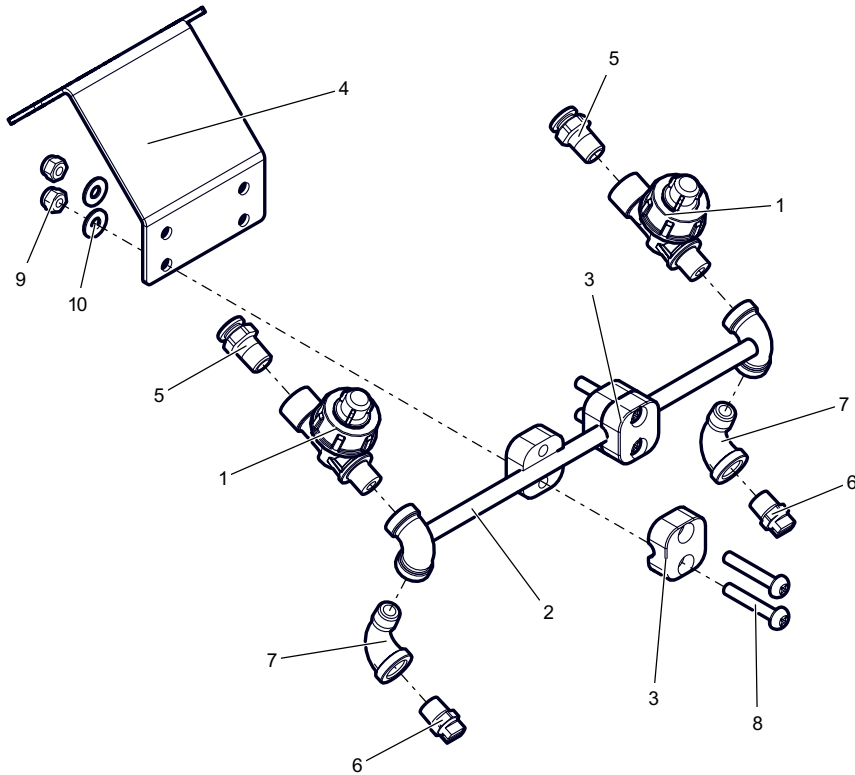
FRONT BRIDGE 3X FOAM MANIFOLD 09170177



BOM ID	Qty	PartNo	Description
1	1	01120016	TUBING, 3/8ODX.06W, 230PSI@70F, LLDPE, BLACK
2	3	03320038	TUBE-FTG, Y, 3/8T x 1/4T, PUSH, PLSTC
3	1	11030152	VALVE, ASSY, COMMON, FOAM-PANEL, LW360P
4	1	11250260-LH	MANIFOLD, APPLICATOR, 3X, LH, LW360PLUS
5	1	11250260-RH	MANIFOLD, APPLICATOR, 3X, RH, LW360PLUS
6	1	11250342	MANIFOLD, 3X-FOAM, PUMP, TDSL
7	6	24348-PB	TUBE-FTG, ELBOW, 3/8T x 1/4NPT, SWVL, BRS
8	1	24496-PB	TUBE-FTG, TEE, UNION, 1/4T, PUSH, BRS
9	2	05050024	CLAMP, CUSHION, 1", SST

FRONT BRIDGE FRONT PREP CENTER UPPER MANIFOLD

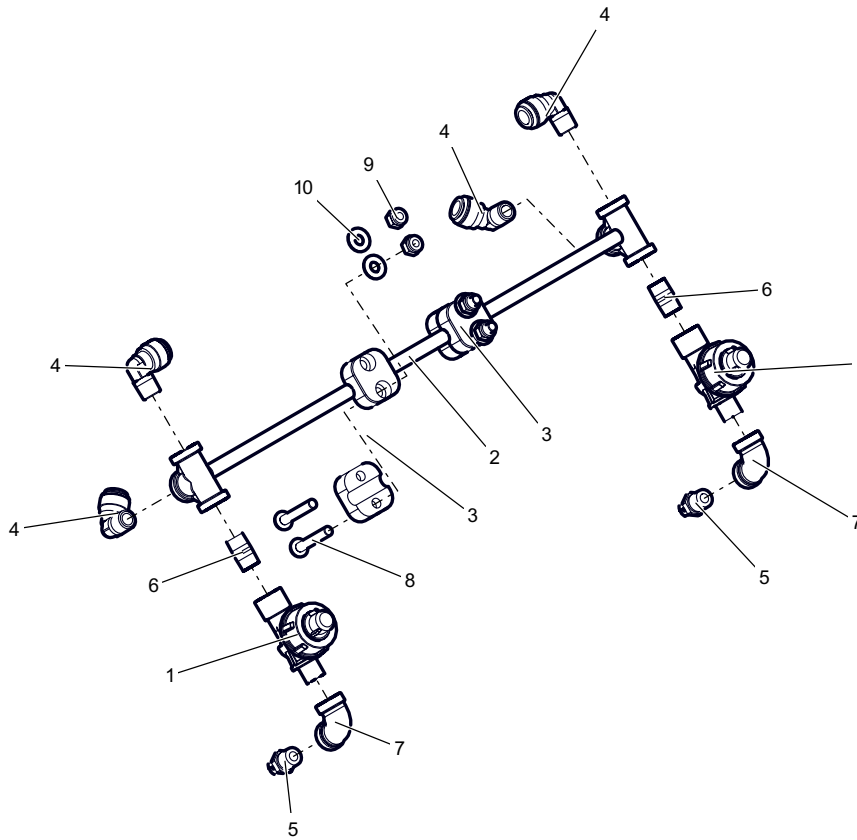
09170174 11250349



BOM ID	Qty	PartNo	Description
1	2	03010112	VALVE,CHECK,DIAPH,1/4"MX1/4"F,4PSI,EPDM
2	1	03220358	MANIFOLD,FRONT-PREP,CENTER,UPPER,WELD,TDMSL
3	2	05050043	CLAMP,TUBE, .375,PP,STANDARD
4	1	06141583	BRACKET,FRONT-PREP,CENTER,UPPER,TDMSL
5	2	24036-PB	TUBE-FTG,CONN,3/8TX1/4NPT,PUSH,BRS
6	2	64154-4M	NOZZLE,FAN,4004,1/4"NPT,SST
7	2	67487-4S	ELBOW,STREET,1/4NPT,90DEG,SC40,SST
8	4	70112-SCS	SCREW,1/4-20x1.50,PPHMS,SST
9	4	71011-NCS	NUT,1/4-20,HEX,LOCK,SST
10	4	71511-FS	WASHER,1/4,FLAT,SST

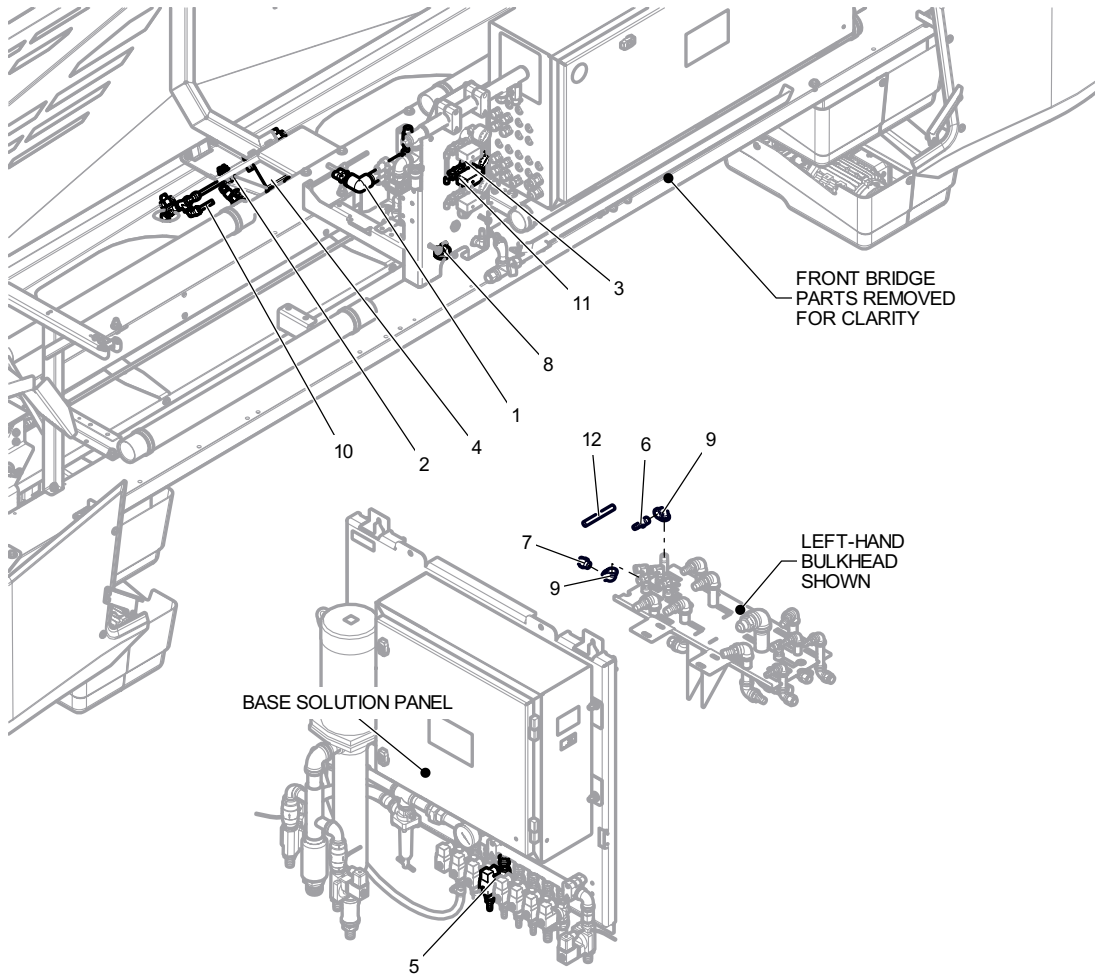
FRONT BRIDGE FRONT PREP CENTER EXIT MANIFOLD

09170174 11250259



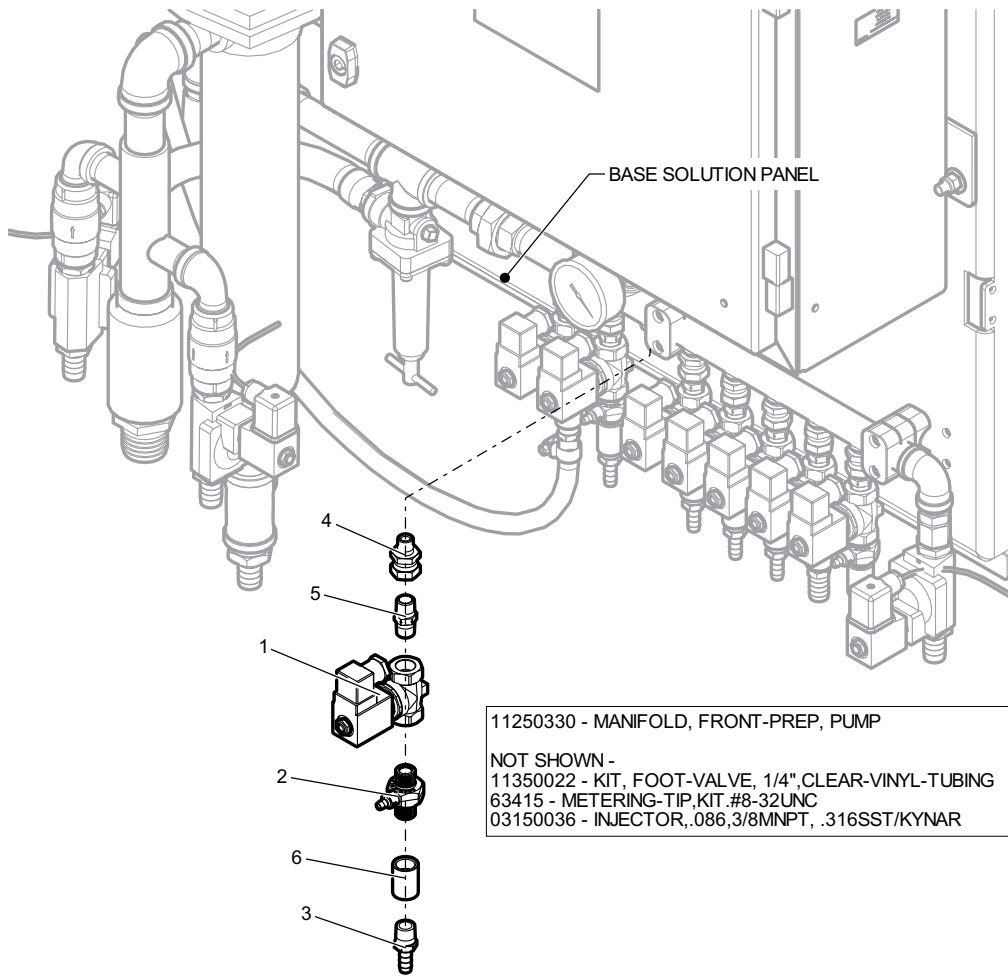
BOM ID	Qty	PartNo	Description
1	2	03010112	VALVE,CHECK,DIAPH,1/4"MX1/4"F,4PSI,EPDM
2	1	03220289	MANIFOLD,FRONT-PREP,CENTER,WELD,ICON
3	2	05050043	CLAMP,TUBE,.375,PP,STANDARD
4	4	03040029	ELBOW,1/4MNPTX3/8T,PUSH-LOCK,PP
5	2	64158-4M	NOZZLE,FAN,4006,1/4"NPT,SST
6	2	67011-4S	NIPPLE,1/4NPTXCLOSE,SC40,SST
7	2	67402-4S	ELBOW,1/4NPT,90DEG,SC40,SST,SP114
8	4	70112-SCS	SCREW,1/4-20X1.50,PPHMS,SST
9	4	71011-NCS	NUT,1/4-20,HEX,LOCK,SST
10	4	71511-FS	WASHER,1/4,FLAT,SST

FRONT BRIDGE FRONT PREP MANIFOLD 09170174



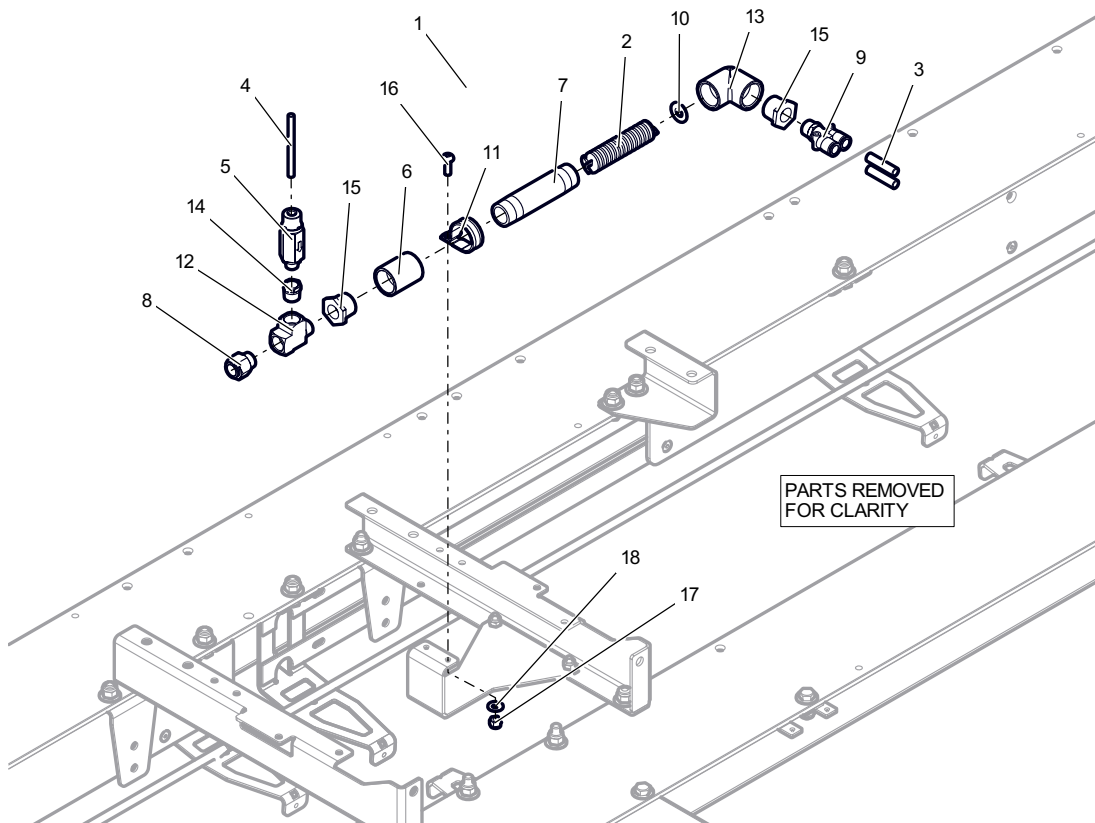
BOM ID	Qty	PartNo	Description
1	1	11250333	MANIFOLD,FOAMER,FRONT-PREP,TDMSL
2	1	11250259	MANIFOLD,FRONT-PREP,CENTER,EXIT,LW360P
3	1	11030136	VALVE,ASSY,COMMON,FOAM-PANEL,LW360P
4	1	11250349	MANIFOLD,FRONT-PREP,CENTER,UPPER,TDMSL
5	1	11250330	MANIFOLD,FRONT-PREP,PUMP,TDMSL
6	1	03310038	HOSE-BARB,3/8HX3/8MNPT,SST
7	1	03320071	TUBE-FTG,CONN,1/2TX3/8NPT,PUSH,SST
8	1	05050032	CLAMP,CABLE,CUSHION,1-1/4",SST
9	2	67404-4S	ELBOW,3/8NPT,90DEG,SC40,SST,SP114
10	1	01120007	TUBING,3/8ODx.06W,230psi@70F,LLDPE,BLUE
11	1	01120008	TUBING,1/4ODx.04W,230psi@70F,LLDPE,BLUE
12	1	01120019	TUBING,1/2ODx.06W,150PSI@70F,LLDPE,BLACK

SOLUTION PUMP FRONT PREP MANIFOLD 09170174 11250330



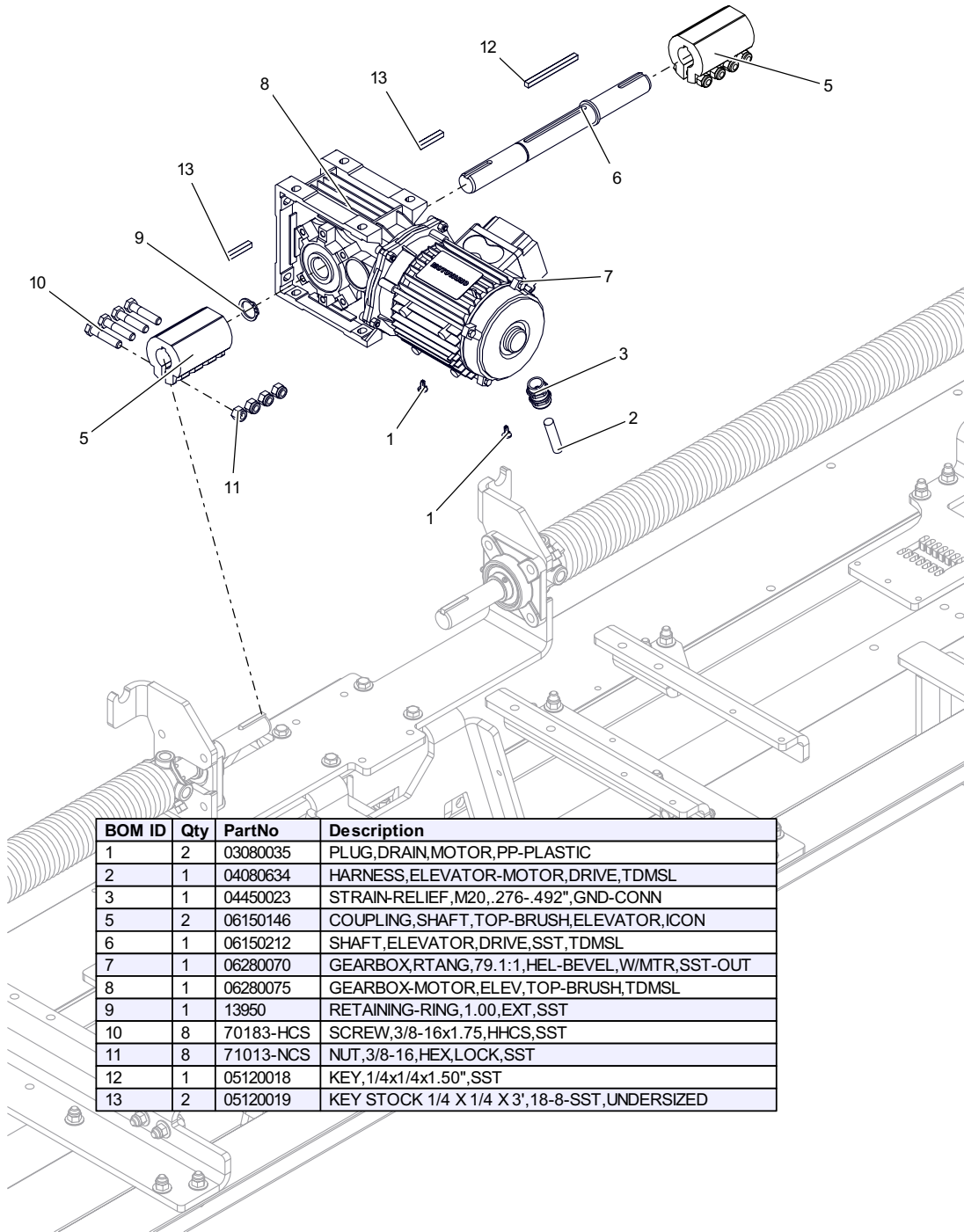
BOM ID	Qty	PartNo	Description
1	1	03010192	VALVE, 3/8, SST, 2-WAY, NC, 232PSI
2	1	63488	INJECTOR, .098, SST/KYNAR
3	1	03310038	HOSE-BARB, 3/8x3/8MNPT, SST
4	1	44553-S	ADAPTER, 3/8FNPT-SWIVELx1/4MNPT, SST
5	1	67055-4B	NIPPLE, HEX, 3/8NPT, BRS
6	1	67794-4S	COUPLING, 3/8NPT, SST

FRONT BRIDGE FRONT PREP FOAMER MANIFOLD 11250333



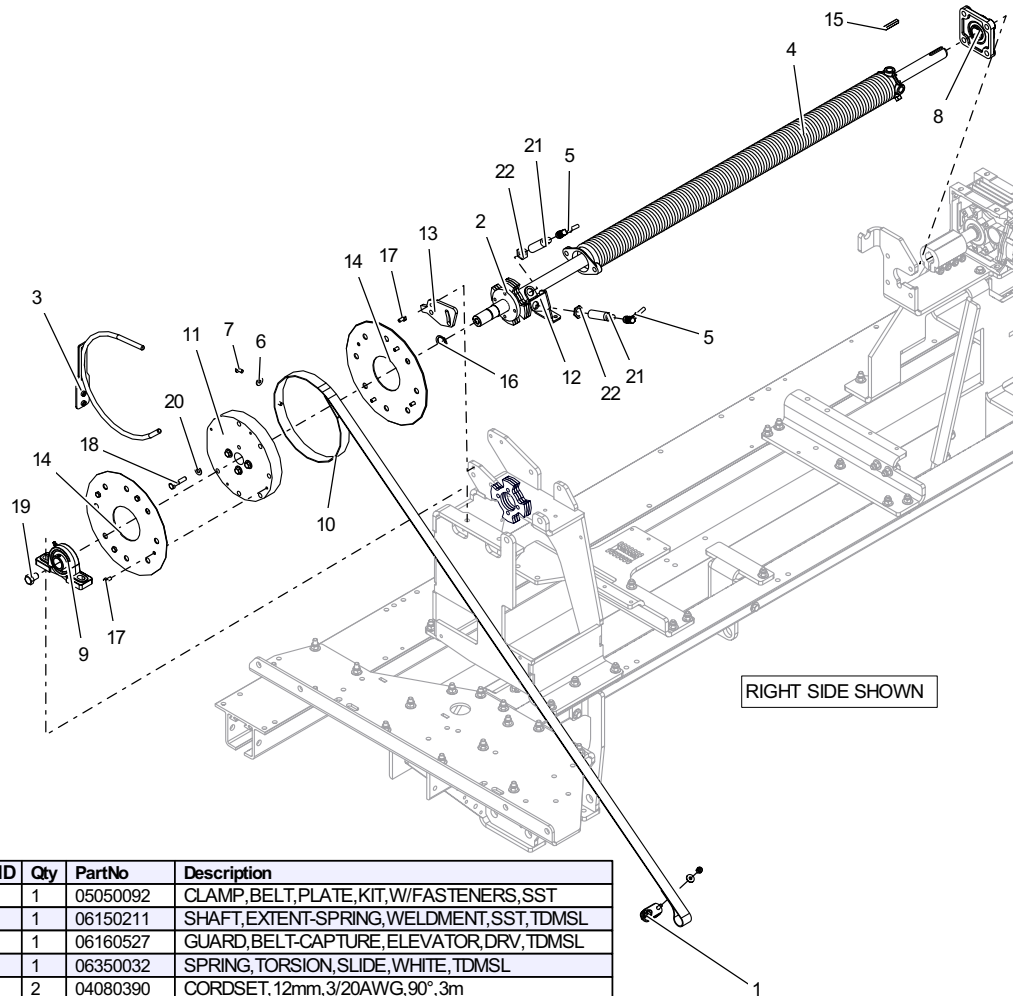
BOM ID	Qty	PartNo	Description
1	1	11250333	MANIFOLD,FOAMER,FRONT-PREP,TDMSL
2	1	03260002	MIXER,BRUSH,FOAMER,.875X4,3X/SS,LW360P
3	2	01120007	TUBING,3/8ODx.06W,230psi@70F,LLDPE,BLUE
4	1	01120008	TUBING,1/4ODx.04W,230psi@70F,LLDPE,BLUE
5	1	03010129	VALVE,CHECK,1/4PCF-INx1/4NPT-OUT,3#
6	1	03070044	COUPLING,3/4NPT,SCHED40,PVC
7	1	03130047	NIPPLE,3/4NPTx4.00,SC80,PVC
8	1	03320070	TUBE-FTG,CONN,1/2Tx3/8NPT,PUSH,BRASS
9	1	03320074	TUBE-FTG,Y,3/8Tx3/8NPT,PUSH,PLSTC,BRASS-THDS
10	1	05030067	WASHER,3/8,FLAT,7/8-OD,.050THK,SST
11	1	05050032	CLAMP,CUSHION,1-1/4",SST
12	1	67195-4B	TEE,3/8NPT,MALE-RUN,SC40,BRS
13	1	67408-4P	ELBOW,3/4NPT,90DEG,SC40,PVC
14	1	67702-B	BUSHING,3/8NPTx1/4NPT,BRS
15	2	67708-4P	BUSHING,3/4NPTx3/8NPT,SC40,PVC
16	1	70108-SCS	SCREW,1/4-20x.75,PPHMS,SST
17	1	71011-NCS	NUT,1/4-20,HEX,LOCK,SST
18	1	71511-FS	WASHER,1/4,FLAT,SST

BACK BRIDGE TOP BRUSH ELEVATOR GEARBOX-06280075



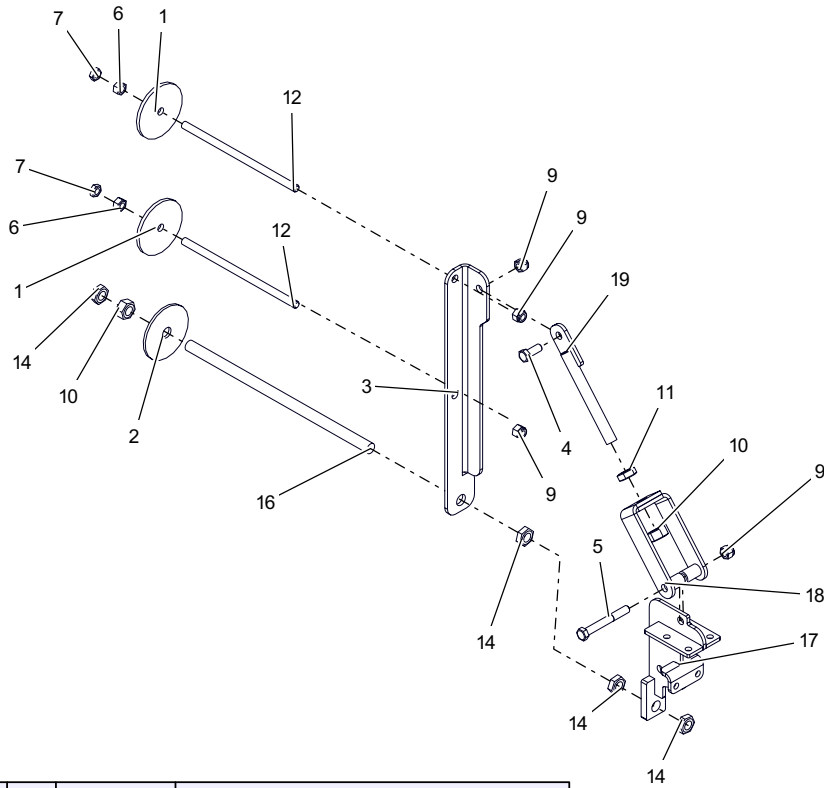
BOM ID	Qty	PartNo	Description
1	2	03080035	PLUG,DRAIN,MOTOR,PP-PLASTIC
2	1	04080634	HARNESS,ELEVATOR-MOTOR,DRIVE,TDMSL
3	1	04450023	STRAIN-RELIEF,M20,.276-.492",GND-CONN
5	2	06150146	COUPLING,SHAFT,TOP-BRUSH,ELEVATOR,ICON
6	1	06150212	SHAFT,ELEVATOR,DRIVE,SST,TDMSL
7	1	06280070	GEARBOX,RTANG,79.1:1,HEL-BEVEL,W/MTR,SST-OUT
8	1	06280075	GEARBOX-MOTOR,ELEV,TOP-BRUSH,TDMSL
9	1	13950	RETAINING-RING,1.00,EXT,SST
10	8	70183-HCS	SCREW,3/8-16x1.75,HHCS,SST
11	8	71013-NCS	NUT,3/8-16,HEX,LOCK,SST
12	1	05120018	KEY,1/4x1/4x1.50",SST
13	2	05120019	KEY STOCK 1/4 X 1/4 X 3',18-8-SST,UNDERSIZED

BACK BRIDGE TOP BRUSH EXTENSION ELEVATOR-11170019



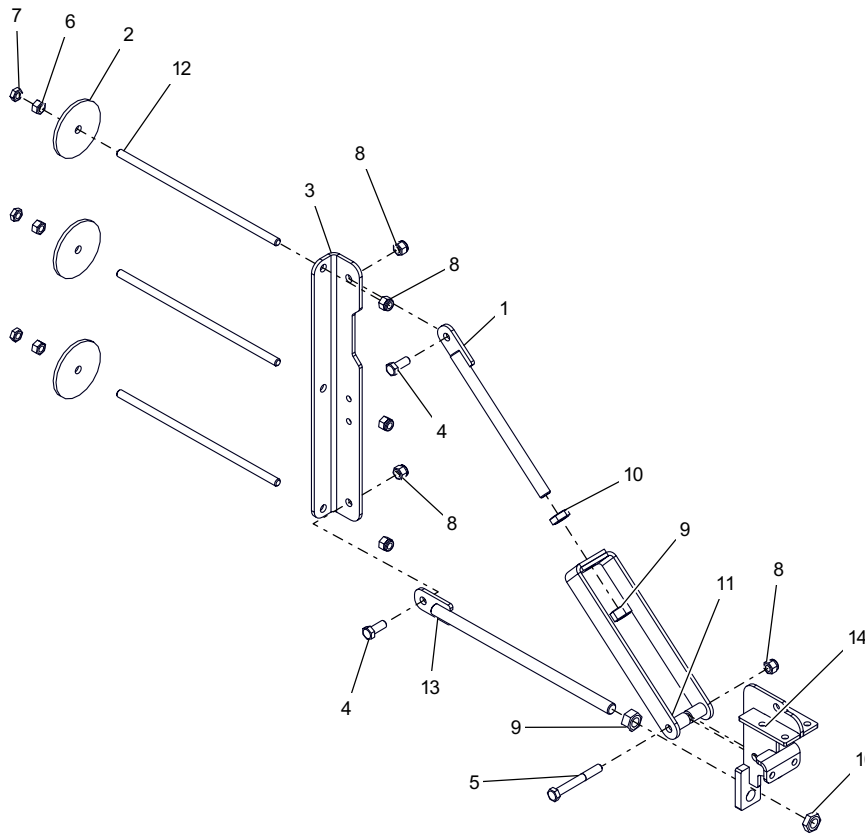
BOM ID	Qty	PartNo	Description
1	1	05050092	CLAMP, BELT, PLATE, KIT, W/FASTENERS, SST
2	1	06150211	SHAFT, EXTENT-SPRING, WELDMENT, SST, TDMSL
3	1	06160527	GUARD, BELT-CAPTURE, ELEVATOR, DRV, TDMSL
4	1	06350032	SPRING, TORSION, SLIDE, WHITE, TDMSL
5	2	04080390	CORDSET, 12mm, 3/20AWG, 90°, 3m
6	2	05030035	WASHER, M6, FENDER, SST
7	2	05040260	SCREW, 1/4-20x.50, PTHMS, SST
8	1	06010075	BEARING, FLANGE, 4BOLT, 1.000" BORE, SST, ABT
9	1	06010076	BEARING, PILLOW, 1.000" BORE, SST, ABT
10	1	06020030	BELT, FLAT, 1.00W., 1THK, TOP-BRUSH-SLIDE
11	1	06030054	PULLEY, FLAT-BELT, 8.00D, TDMSL
12	1	06141542	BRACKET, PROX, SST, QUADRAT, ELEV, TDMSL
13	1	06180075	PAWL, RATCHET, SPRING, TOP-BRUSH, SST, TDMSL
14	2	06240998	PLATE, FLANGE, ELEVATOR, DRIVE, AL, TDMSL
15	1	05120019	KEY, 1/4x1/4x1.50", SST
16	1	13950	RETAINING-RING, 1.00, EXT, SST
17	8	70106-HCS	SCREW, 1/4-20x.50, HHCS, SST
18	4	70147-HCS	SCREW, 5/16-18x1.50, HHCS, SST
19	1	70253-HCS	SCREW, 1/2-13x.75, HHCS, SST
20	4	71512-FS	WASHER, 5/16, FLAT, SST
21	2	93021	PROX, 18mm, SHLD, 10-30VDC, NPN, LONG
22	2	93021B	NUT, LOCKING, PROX, 18mm - COMES WITH PROX

13ft-6in TO 14ft-4in BAY WALL-MOUNT BRACKETS-09050049



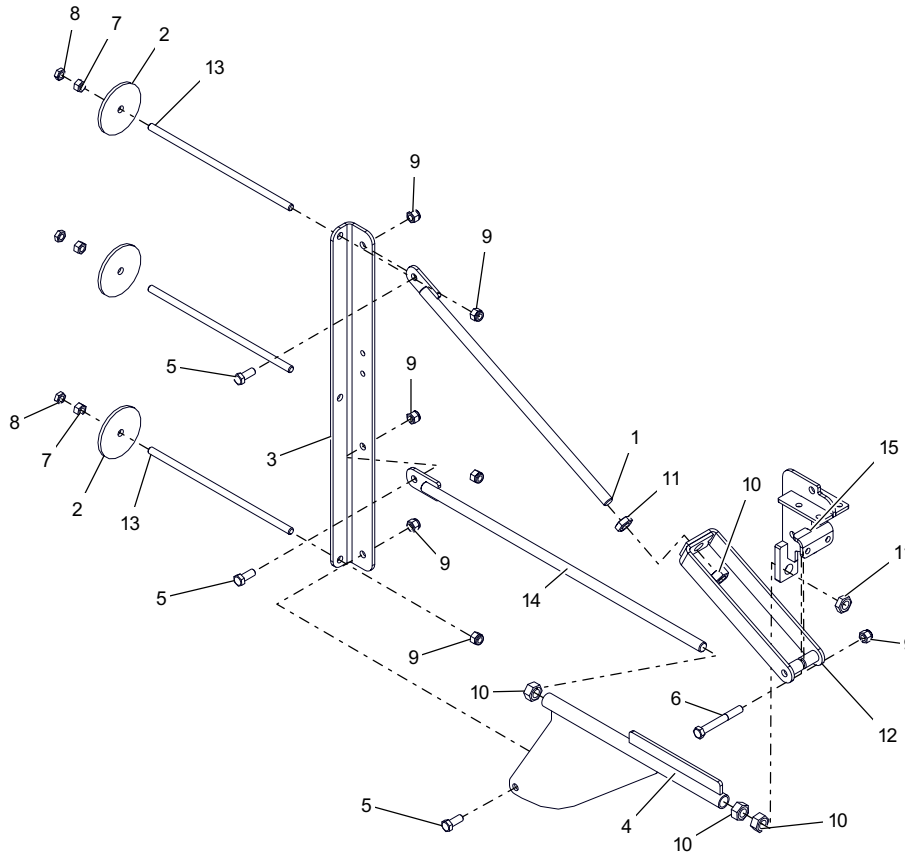
BOM ID	Qty	PartNo	Description
1	2	06240952	PLATE, BACKING, WALL-MNT, 1/2"-RD, SST
2	1	06240954	PLATE, BACKING, WALL-MNT, 3/4"-RD, SST
3	1	06270118	ANGLE, WALL-MNT, NARROW-BAY, SST
4	1	70256-HCS	SCREW, 1/2-13x1.25, HHCS, SST
5	1	70267-HCS	SCREW, 1/2-13x4.00, HHCS, SST
6	2	71015-HCS	NUT, 1/2-13, HEX, SST
7	2	71015-JCS	NUT, 1/2-13, HEX, JAM, SST
9	4	71015-NCS	NUT, 1/2-13, HEX, LOCK, SST
10	2	71018-HCS	NUT, 3/4-10, HEX, SST
11	1	71018-JCS	NUT, 3/4-10, HEX, JAM, SST
12	2	M390020-S	THREADED-ROD, 1/2-13x14.00, SST
14	4	71018-JCS	NUT, 3/4-10, HEX, JAM, SST
16	1	M390035-S	THREADED-ROD, 3/4-10x21.00, SST
17	1	06140880	BRACKET, RAIL-ATTACH, WALL-MTG, SST
18	1	06140891	BRACKET, RAIL-SUPPORT, SHORT, SST
19	1	06180058	TIE-ROD, 3/4NCx8.12, RAIL-MOUNT, SST

14ft-4in TO 16ft-1in BAY WALL-MOUNT BRACKETS-09050048



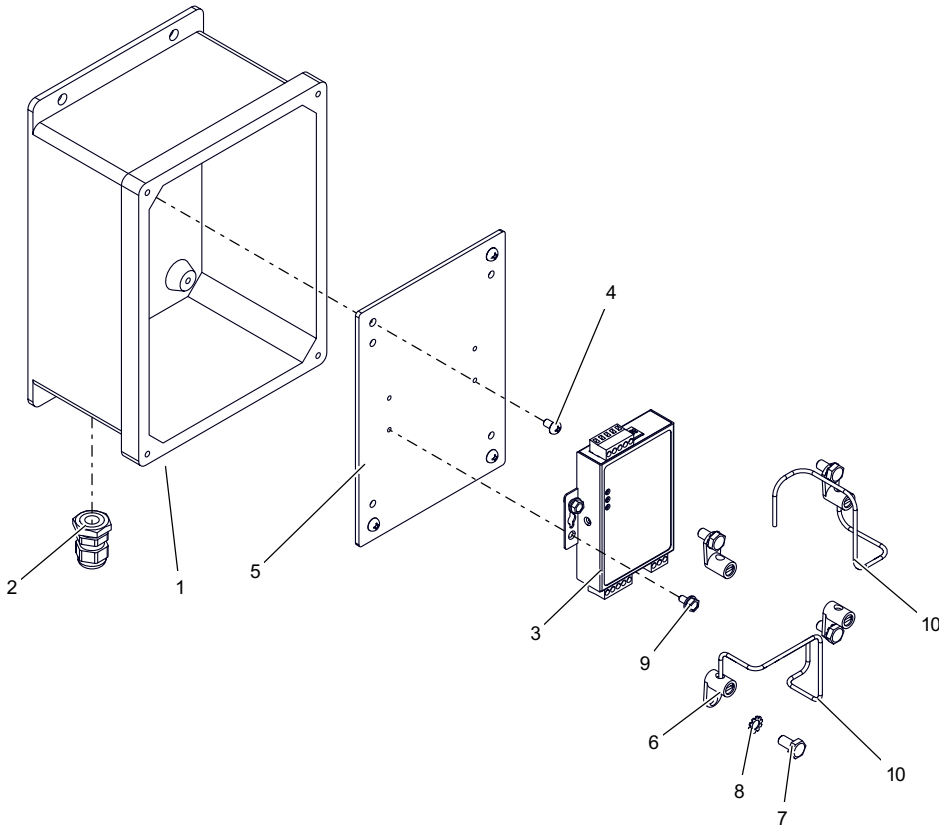
BOM ID	Qty	PartNo	Description
1	1	06180081	TIE-ROD,3/4NCX11.50,RAIL-MOUNT,SST
2	3	06240952	PLATE,BACKING,WALL-MNT,1/2"-RD,SST
3	1	06270117	ANGLE,WALL-MNT,NORMAL-BAY,SST
4	2	70256-HCS	SCREW,1/2-13x1.25,HHCS,SST
5	1	70267-HCS	SCREW,1/2-13x4.00,HHCS,SST
6	3	71015-HCS	NUT,1/2-13,HEX,SST
7	3	71015-JCS	NUT,1/2-13,HEX,JAM,SST
8	6	71015-NCS	NUT,1/2-13,HEX,LOCK,SST
9	2	71018-HCS	NUT,3/4-10,HEX,SST
10	2	71018-JCS	NUT,3/4-10,HEX,JAM,SST
11	1	M310093-S	BRACKET,RAIL-SUPPORT,WALL-MOUNT,SST
12	3	M390020-S	THREADED-ROD,1/2-13x14.00,SST
13	1	M390122-S	TIE-ROD,3/4NCx16.75,RAIL-MOUNT,SST
14	1	06140880	BRACKET,RAIL-ATTACH,WALL-MTG,SST

16ft-1in TO 18ft-1in BAY WALL-MOUNT BRACKETS-09050047



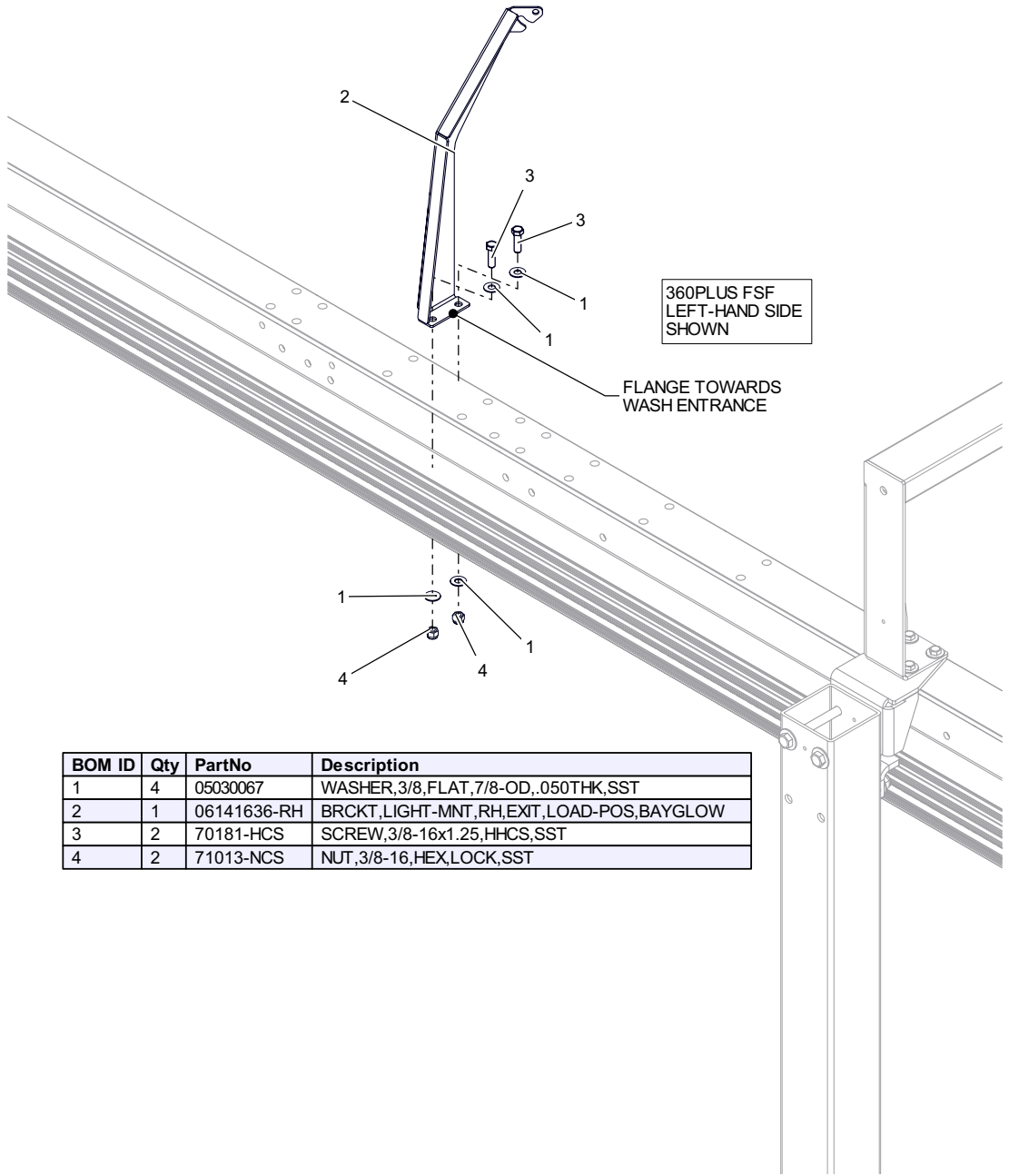
BOM ID	Qty	PartNo	Description
1	1	06180079	TIE-ROD,3/4NCX21.875,RAIL-MOUNT,SST
2	3	06240952	PLATE,BACKING,WALL-MNT,1/2"-RD,SST
3	1	06270116	ANGLE,WALL-MNT,WIDE-BAY,SST
4	1	06370121	PIPE,SUPPORT,W/GUSSET,3/4,TIE-ROD
5	3	70256-HCS	SCREW,1/2-13x1.25,HHCS,SST
6	1	70267-HCS	SCREW,1/2-13x4.00,HHCS,SST
7	3	71015-HCS	NUT,1/2-13,HEX,SST
8	3	71015-JCS	NUT,1/2-13,HEX,JAM,SST
9	7	71015-NCS	NUT,1/2-13,HEX,LOCK,SST
10	4	71018-HCS	NUT,3/4-10,HEX,SST
11	2	71018-JCS	NUT,3/4-10,HEX,JAM,SST
12	1	M310093-S	BRACKET,RAIL-SUPPORT,WALL-MOUNT,SST
13	3	M390020-S	THREADED-ROD,1/2-13x14.00,SST
14	1	M390129-S	TIE-ROD,3/4NCx35.62,RAIL-MOUNT,SST
15	1	06140880	BRACKET,RAIL-ATTACH,WALL-MTG,SST

BAYGLOW-JUNCTION BOX



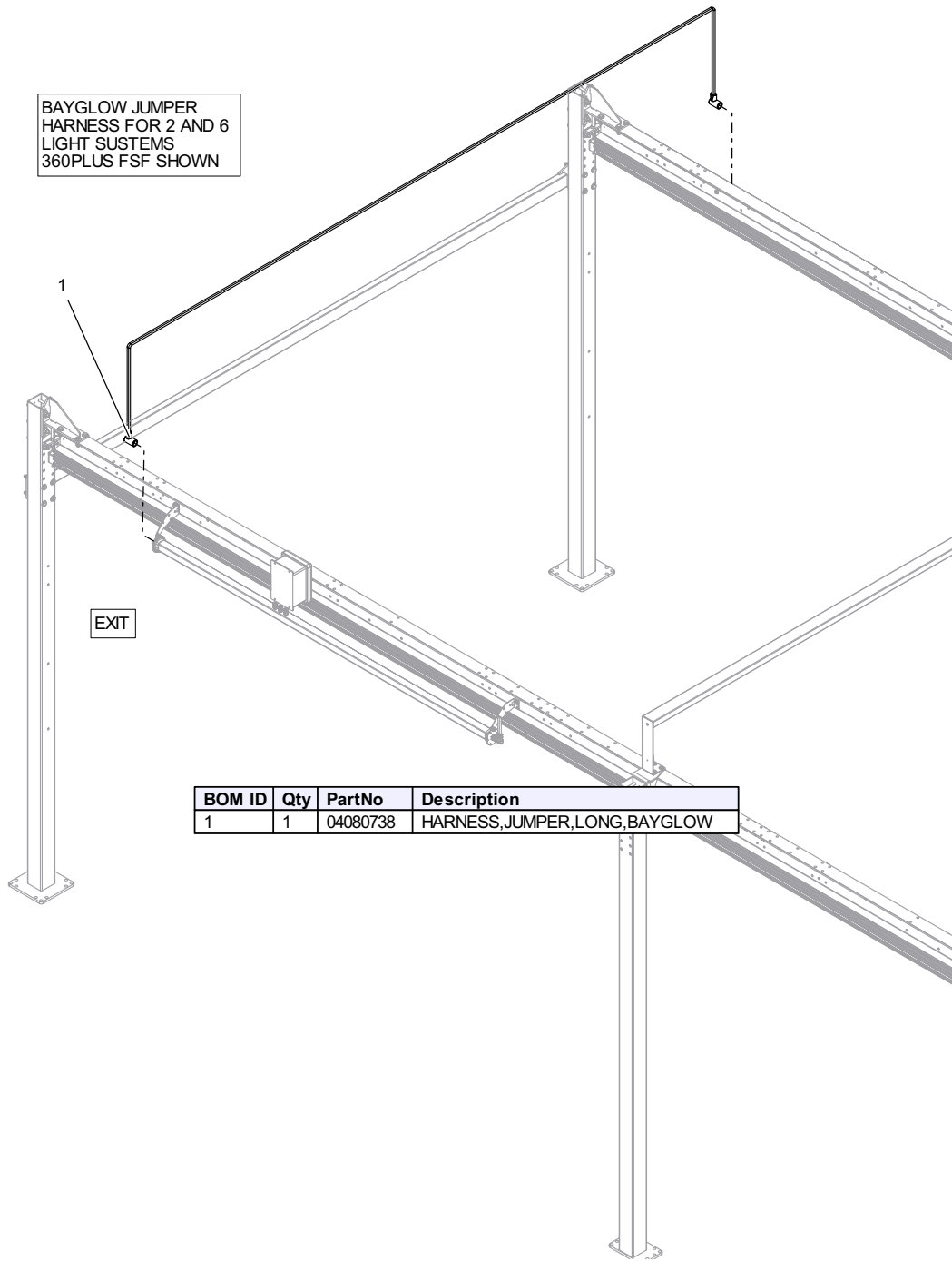
BOM ID	Qty	PartNo	Description
1	1	04090018	ENCLOSURE,8X6",FIBERGLASS
2	3	04450012	STRAIN-RELIEF,M16,,177-.394",PLSTC
3	1	04540121	ISOLATOR,SERIAL,INDUSTRIAL,RS-485
4	4	05040278	SCREW,#10-32x5/16",PRHMS,SST
5	1	06241048	PLATE,ELEC,ISOLATION-JUNC-BOX,BAYGLOW
6	4	34900	LUG,GROUNDING,14-4GA,COPPER
7	4	70106-HCS	SCREW,1/4-20x.50,HHCS,SST
8	4	71511-EZ	WASHER,1/4,STAR,ZP
9	4	73604-TXCZ	SCREW,#8-32X.38,HWHTCS
10	2	11010400	CABLE,16-GAUGE,GREEN-YELLOW

4 AND 8 LIGHT LOADING LIGHT MOUNTING BRACKET



BOM ID	Qty	PartNo	Description
1	4	05030067	WASHER,3/8,FLAT,7/8-OD,.050THK,SST
2	1	06141636-RH	BRCKT,LIGHT-MNT,RH,EXIT,LOAD-POS,BAYGLOW
3	2	70181-HCS	SCREW,3/8-16x1.25,HHCS,SST
4	2	71013-NCS	NUT,3/8-16,HEX,LOCK,SST

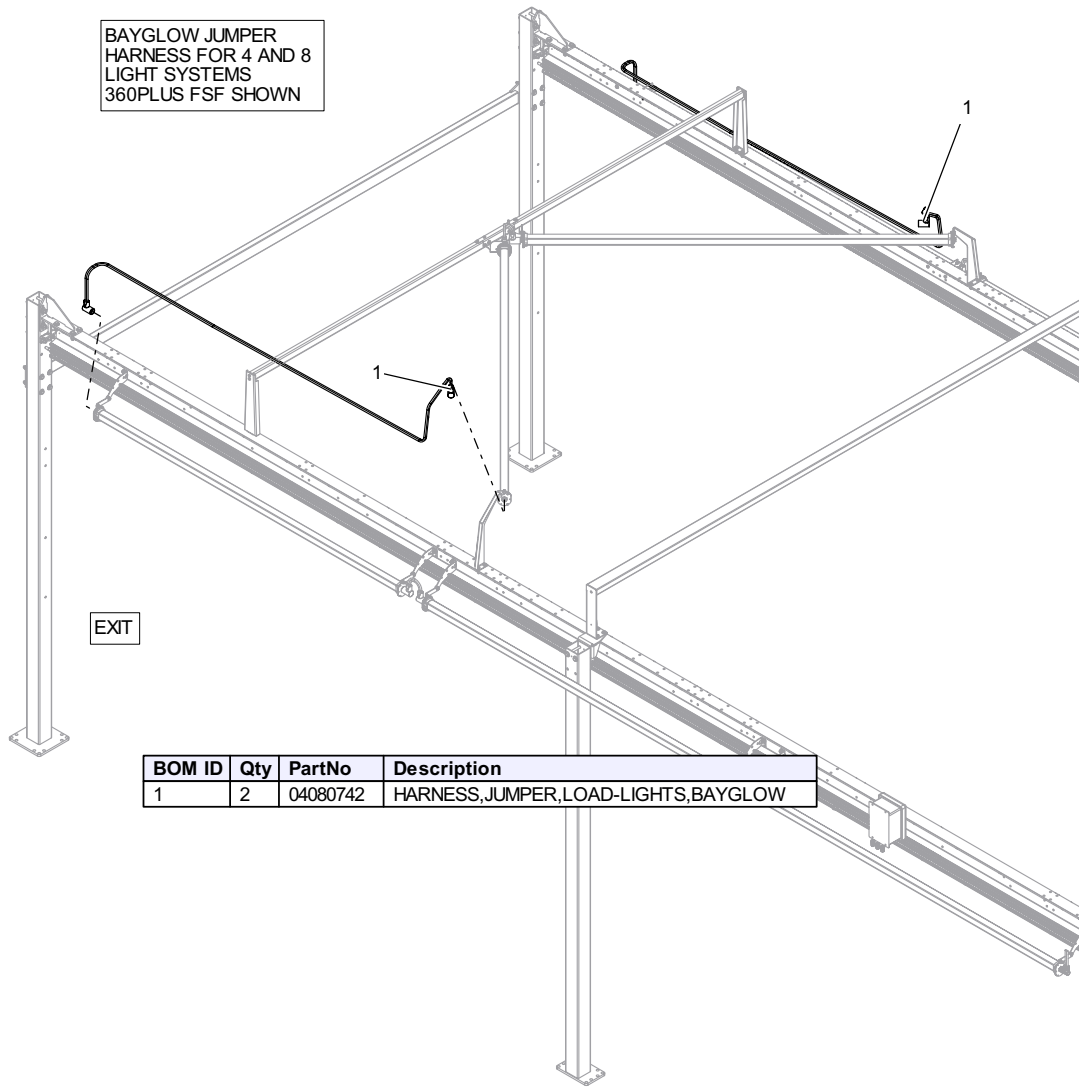
2 AND 6 LIGHT JUMPER HARNESS



BOM ID	Qty	PartNo	Description
1	1	04080738	HARNESS,JUMPER,LONG,BAYGLOW

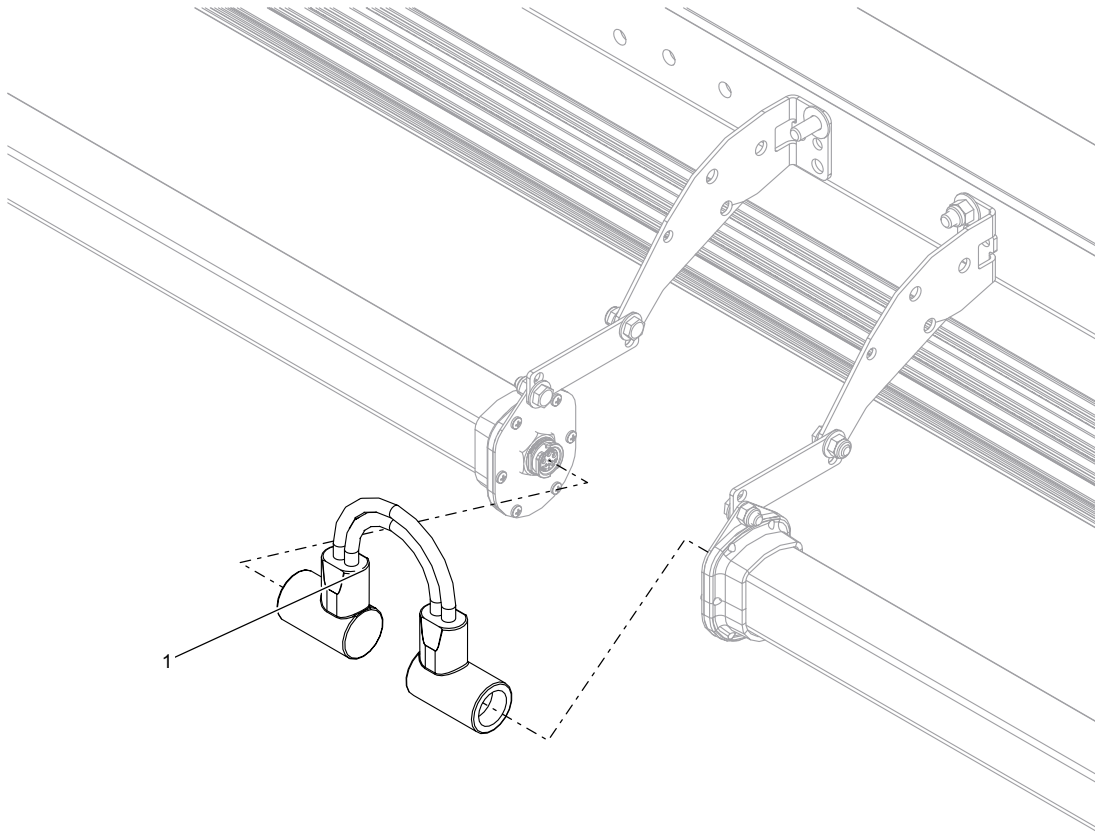
4 AND 8 LIGHT JUMPER HARNESS

BAYGLOW JUMPER
HARNESS FOR 4 AND 8
LIGHT SYSTEMS
360PLUS FSF SHOWN



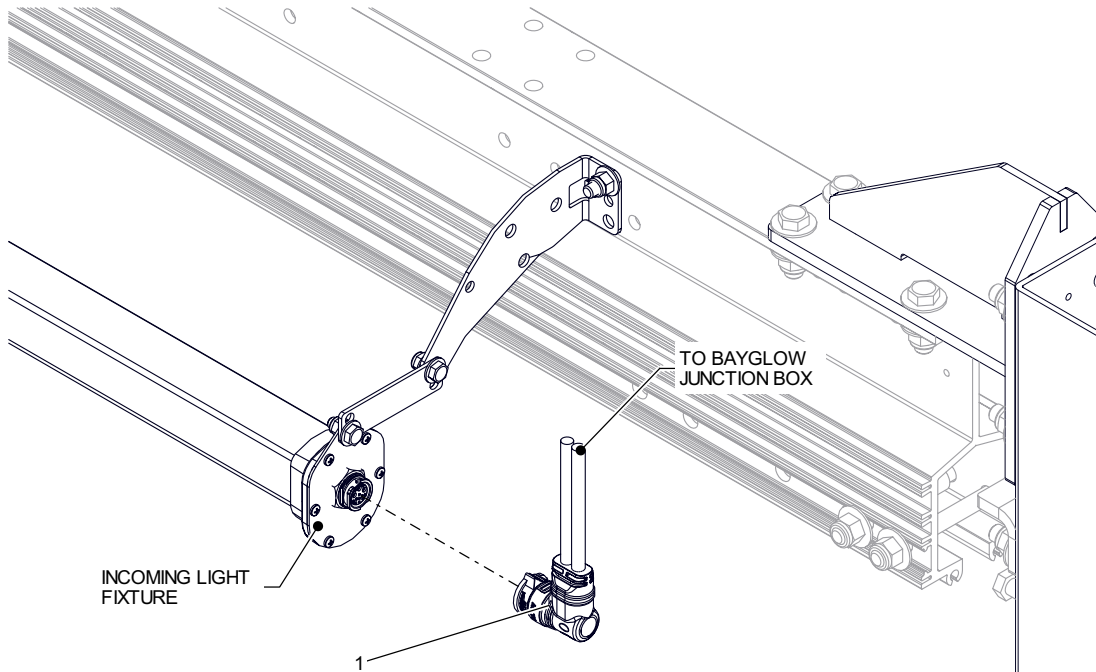
BOM ID	Qty	PartNo	Description
1	2	04080742	HARNESS,JUMPER,LOAD-LIGHTS,BAYGLOW

SHORT JUMPER HARNESS



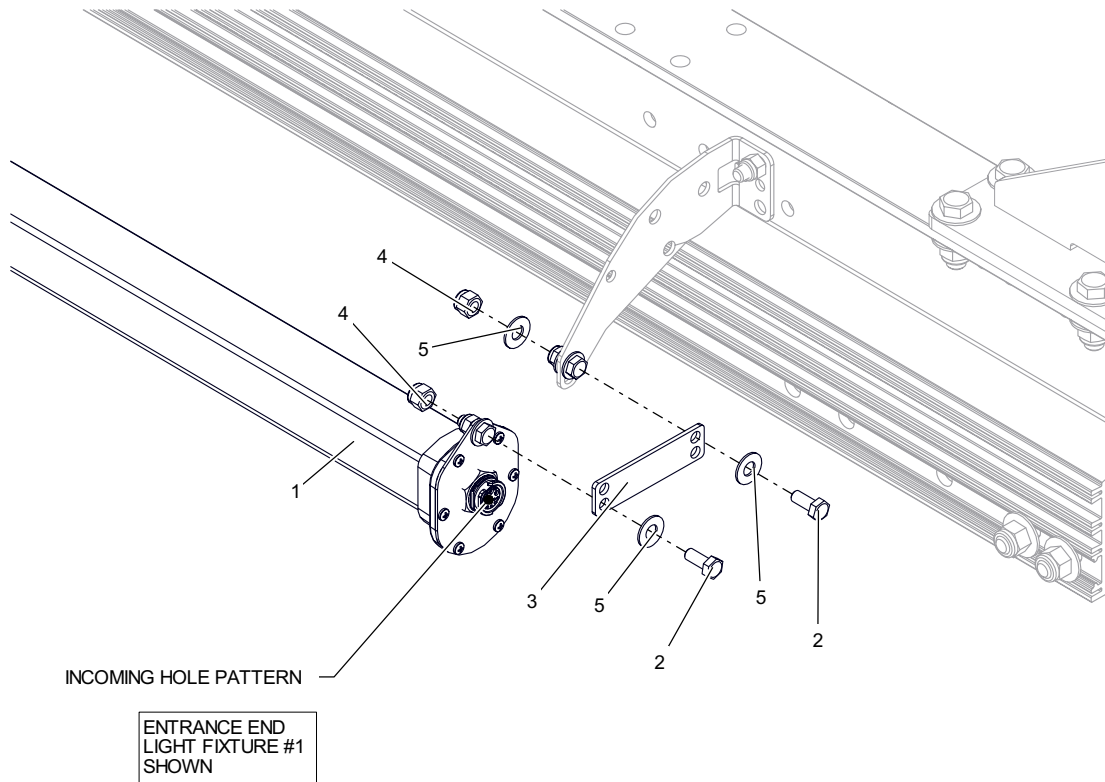
BOM ID	Qty	PartNo	Description
1	1	04080737	HARNESS,JUMPER,SHORT,BAYGLOW

POWER SUPPLY LEADER



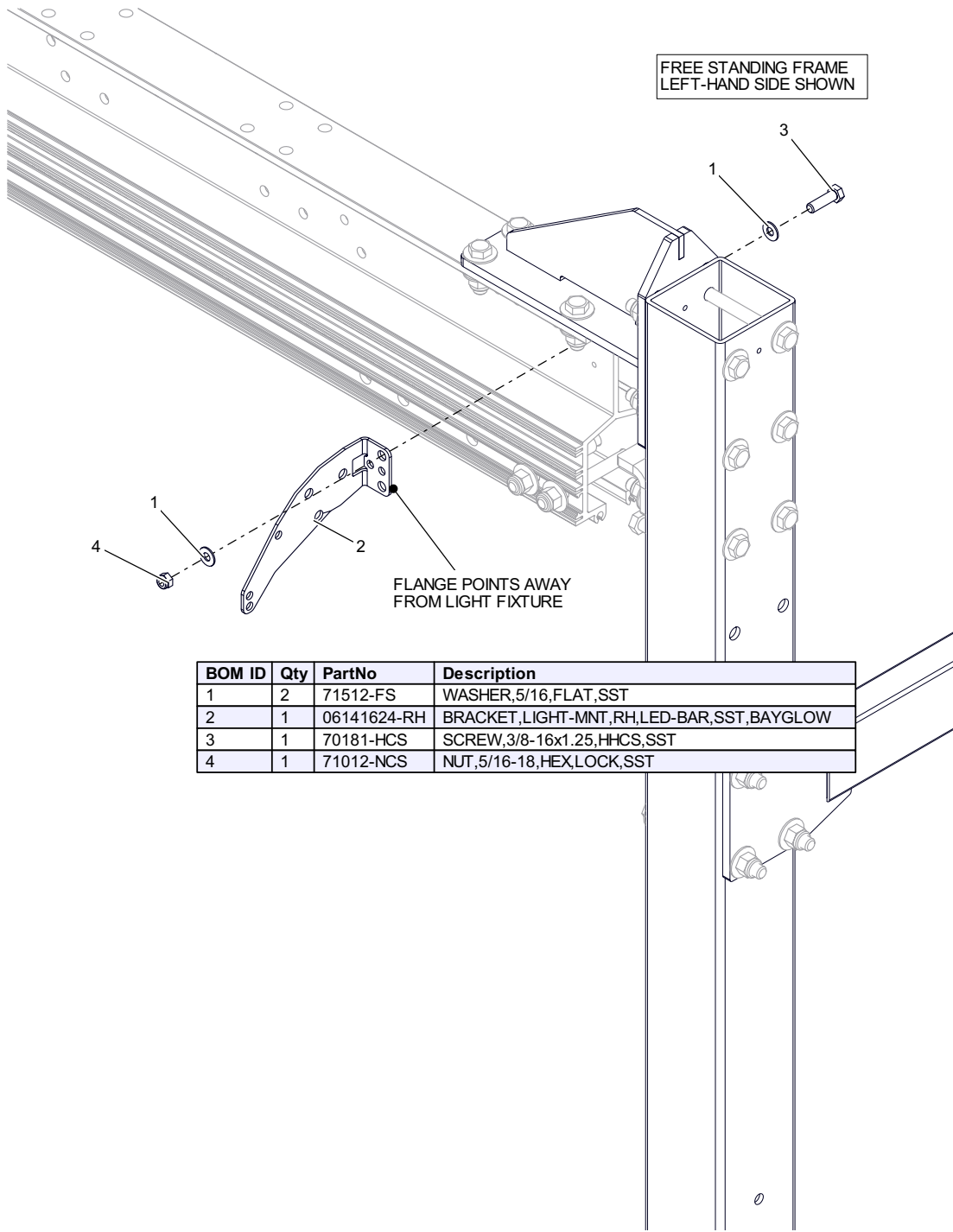
BOM ID	Qty	PartNo	Description
1	1	04080736	HARNESS,LEADER,POWER-SUPPLY,BAYGLOW

LIGHT MOUNTING SPACER



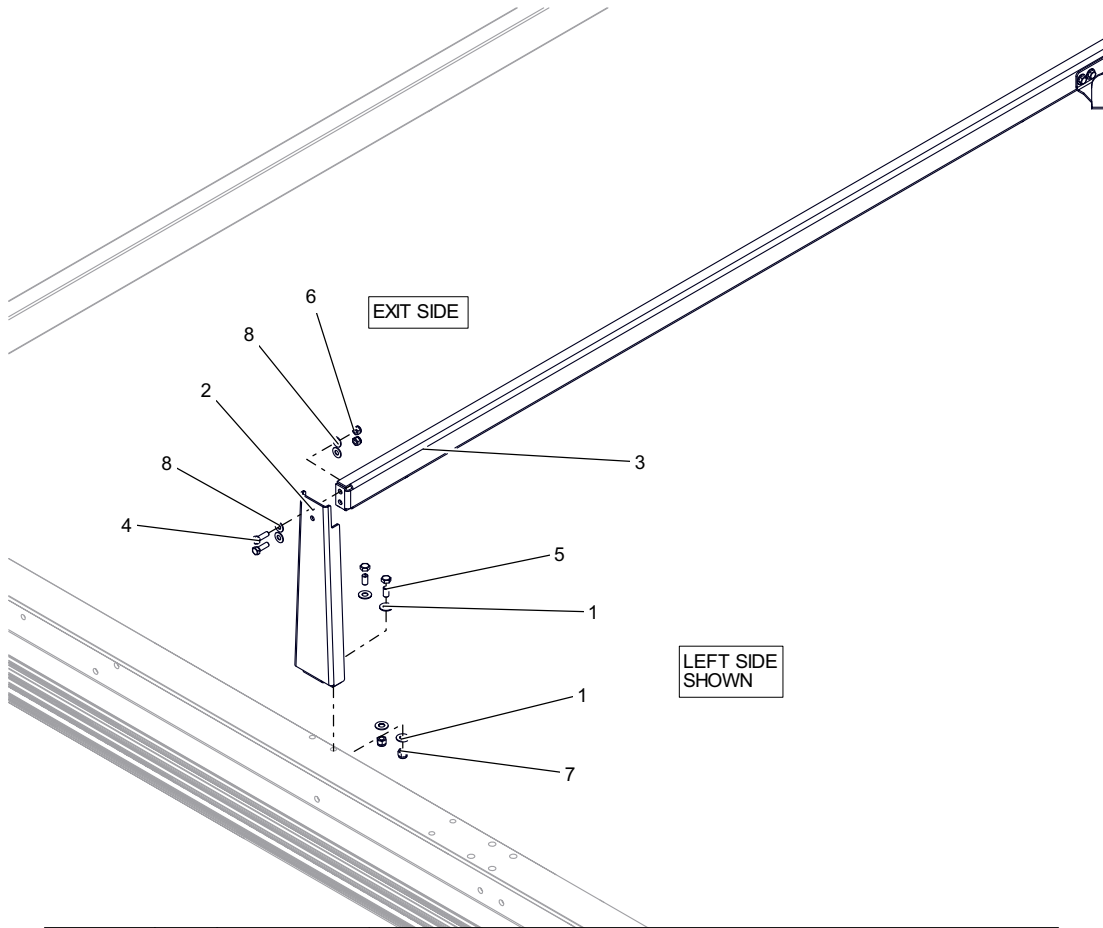
BOM ID	Qty	PartNo	Description
1	1	04130006	LUMINAIRE,LED-BAR,8',RGBW,120°,DMX,THRU
2	2	05040022	SCREW,M8x20mm,HHCS,SST
3	1	06241049	PLATE,SPACER,LIGHT-MOUNT,BAYGLOW
4	2	71013-NCS	NUT,3/8-16,HEX,LOCK,SST
5	3	05030067	WASHER,3/8,FLAT,7/8-OD,.050THK,SST

RAIL LIGHT MOUNTING BRACKET



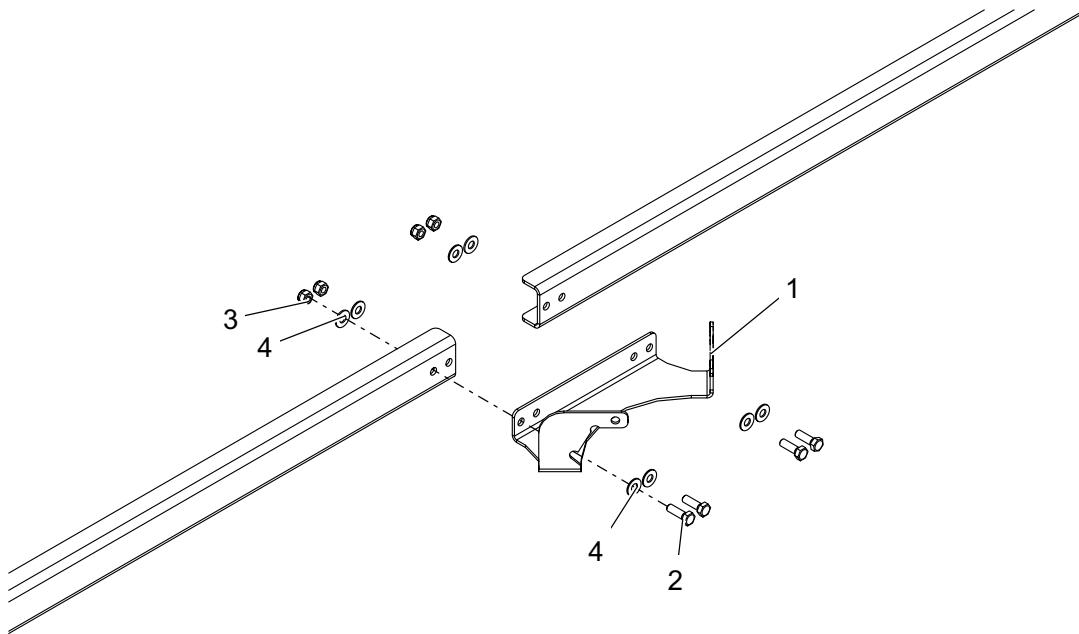
BOM ID	Qty	PartNo	Description
1	2	71512-FS	WASHER,5/16,FLAT,SST
2	1	06141624-RH	BRACKET,LIGHT-MNT,RH,LED-BAR,SST,BAYGLOW
3	1	70181-HCS	SCREW,3/8-16x1.25,HHCS,SST
4	1	71012-NCS	NUT,5/16-18,HEX,LOCK,SST

LIGHT CHANNEL BRACKET



BOM ID	Qty	PartNo	Description
1	4	05030067	WASHER,3/8,FLAT,7/8-OD,.050THK,SST
2	1	06141634	BRACKET,LIGHT-MNT,ENT,LOAD-LIGHT,BAYGLOW
3	1	06141637	BRACKET,CHANNEL,LIGHT-MNT,LOAD-LIGHT,BAYGLOW
4	2	70145-HCS	SCREW,5/16-18x1.00,HHCS,SST
5	2	70181-HCS	SCREW,3/8-16x1.25,HHCS,SST
6	2	71012-NCS	NUT,5/16-18,HEX,LOCK,SST
7	2	71013-NCS	NUT,3/8-16,HEX,LOCK,SST
8	3	71512-FS	WASHER,5/16,FLAT,SST

CENTER MOUNT BRACKET



MOUNT BRACKET TOWARDS
ENTRANCE OF WASH BAY

BOM ID	Qty	PartNo	Description
1	1	06141626	BRACKET,LIGHT-MNT,LEDBAR,CENTER,LOAD-POS
2	4	70145-HCS	SCREW,5/16-18x1.00,HHCS,SST
3	4	71012-NCS	NUT,5/16-18,HEX,LOCK,SST
4	8	71512-FS	WASHER,5/16,FLAT,SST

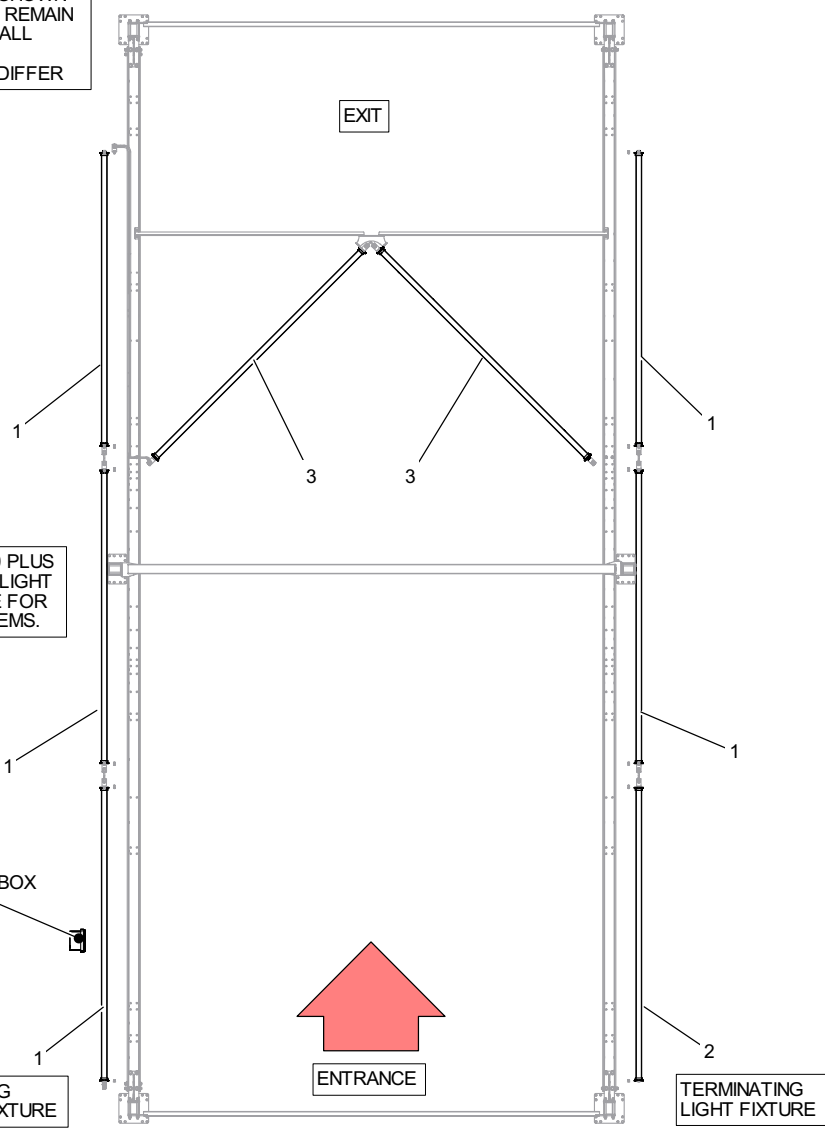
8 LIGHT 360 PLUS TDMSL ALL

8-LIGHT SETUP SHOWN
PART NUMBERS REMAIN
THE SAME FOR ALL
SYSTEMS
QUANTITIES MAY DIFFER

LASERWASH 360 PLUS
FRAME SHOWN. LIGHT
LAYOUT IS SAME FOR
ALL WASH SYSTEMS.

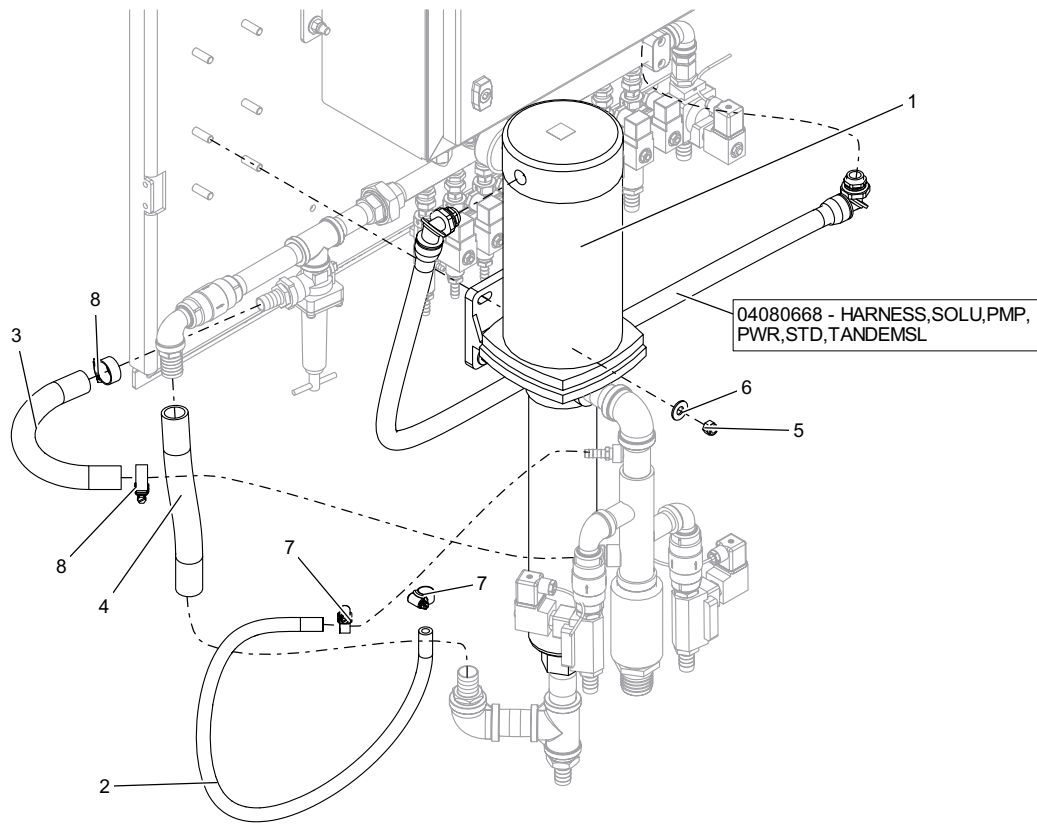
BAYGLOW
JUNCTION BOX

INCOMING
LIGHT FIXTURE



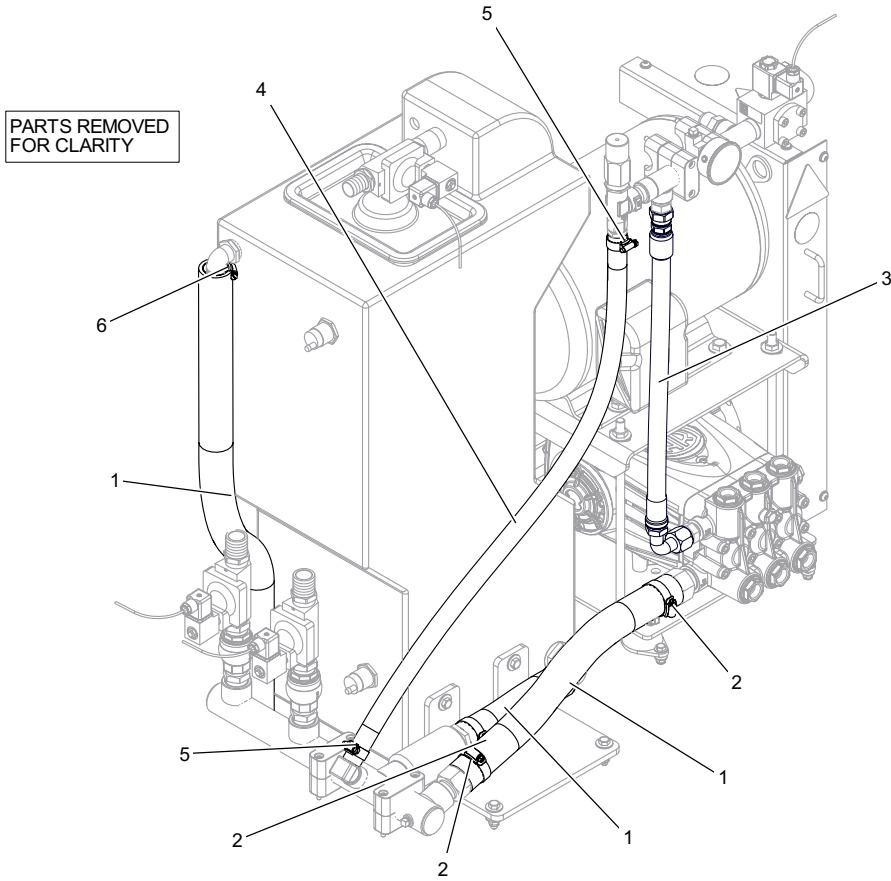
BOM ID	Qty	PartNo	Description
1	5	04130006	LUMINAIRE,LED-BAR,8',RGBW,120°,DMX,THRU
2	1	04130007	LUMINAIRE,LED-BAR,8',RGBW,120°,DMX,TERM
3	2	04130008	LUMINAIRE,LED-BAR,8',RGBW,20°,DMX,THRU

SOLUTION PANEL INLET HOSES-11050105



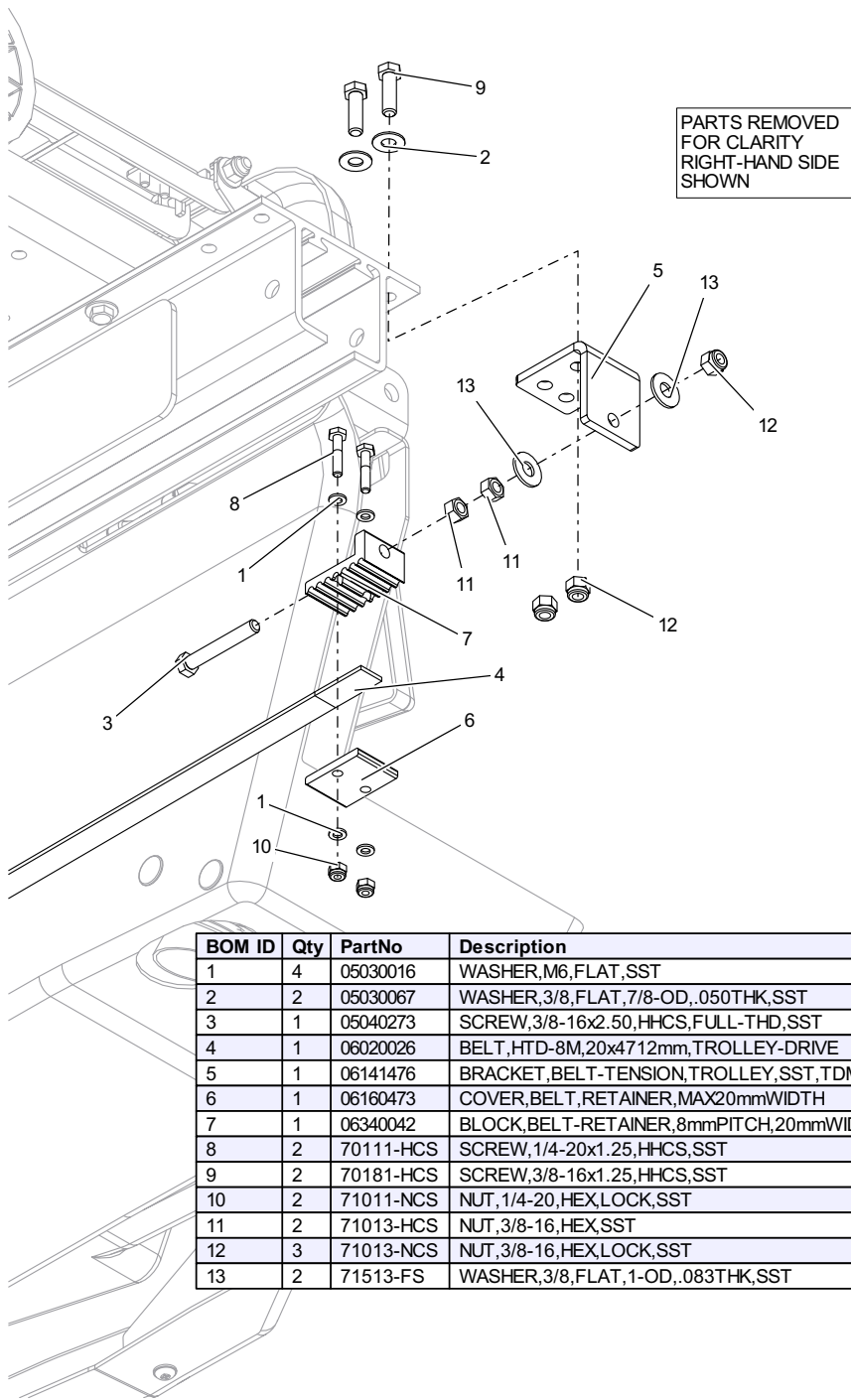
BOM ID	Qty	PartNo	Description
1	1	03180017	PUMP,STA-RITE,11STG,20GPM,2HP,208/480V
2	1	01130010	HOSE,.375,200PSI,BLACK,SYN-RBR,SYN-YRN
3	1	01130025	HOSE,.75,250,BLACK,SYN-RBR,SYN-YRN
4	1	01130026	HOSE,1.00,300,BLACK,SYN-RBR,SYN-YRN
5	4	71013-NCS	NUT,3/8-16,HEX,LOCK,SST
6	4	71513-FS	WASHER,3/8,FLAT,1-OD,.083THK,SST
7	2	75101	CLAMP,HOSE,#6,.38-.50H,SST
8	2	75103	CLAMP,HOSE,#12,.75H,SST

HIGH PRESSURE PUMP STATION HOSES-09070165



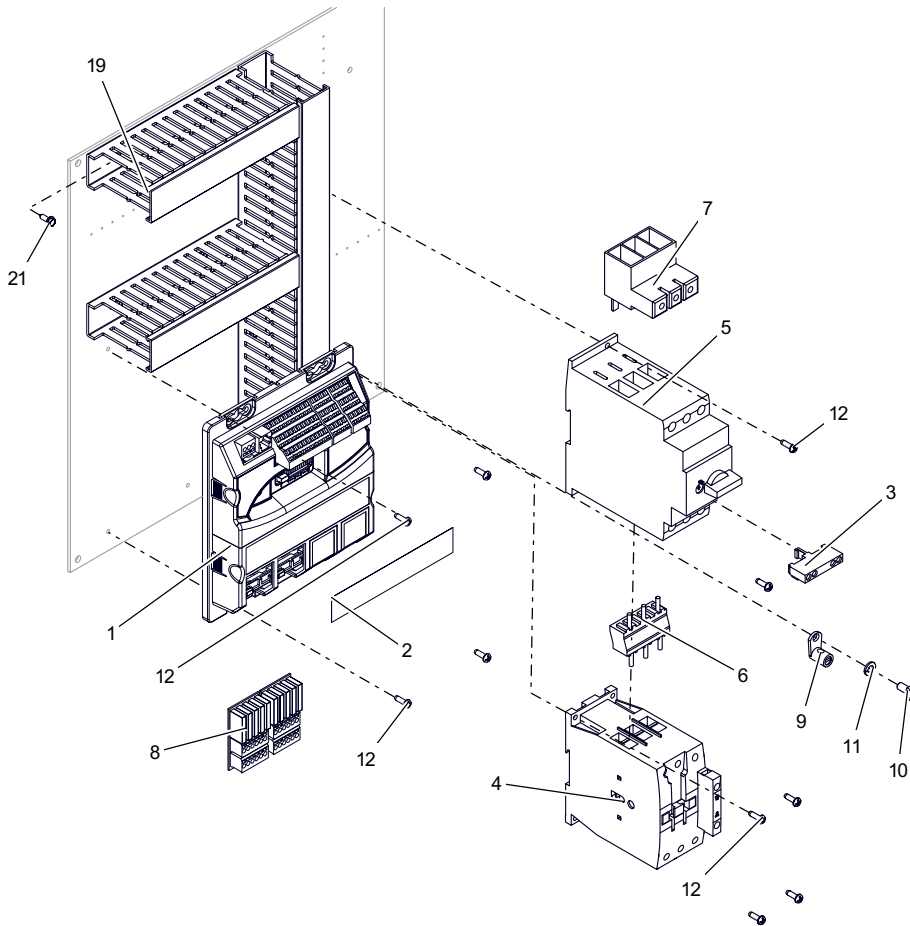
BOM ID	PartNo	Qty	Description
1	01130013	3	HOSE, 1.50, 200PSI, RBR, FBRC, BLK
2	03330003	4	CLAMP, HOSE, #28, 1.50H, SST
3	03340128	1	HOSE, HP-PUMP, ICON, 3/4"x26", HP-OUTLET
4	61030	1	HOSE, 3/4, 200, BLACK, SYN-RBR, SYN-YRN
5	75103	2	CLAMP, HOSE, #12, .75H, SST
6	75104	1	CLAMP, HOSE, #16, 1.00H, SST

FRONT BRIDGE TROLLEY BELT TENSIONER 09140038



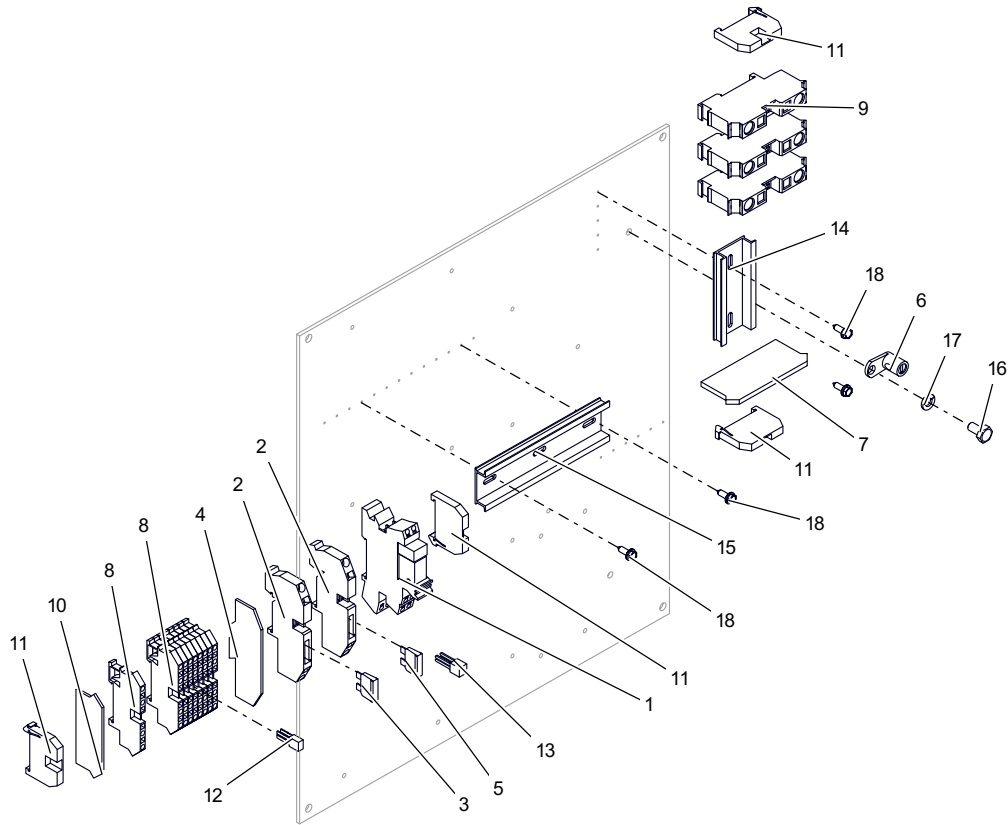
BOM ID	Qty	PartNo	Description
1	4	05030016	WASHER,M6,FLAT,SST
2	2	05030067	WASHER,3/8,FLAT,7/8-OD,.050THK,SST
3	1	05040273	SCREW,3/8-16x2.50,HHCS,FULL-THD,SST
4	1	06020026	BELT,HTD-8M,20x4712mm,TROLLEY-DRIVE
5	1	06141476	BRACKET,BELT-TENSION,TROLLEY,SST,TDMSL
6	1	06160473	COVER,BELT,RETAINER,MAX20mmWIDTH
7	1	06340042	BLOCK,BELT-RETAINER,8mmPITCH,20mmWIDE
8	2	70111-HCS	SCREW,1/4-20x1.25,HHCS,SST
9	2	70181-HCS	SCREW,3/8-16x1.25,HHCS,SST
10	2	71011-NCS	NUT,1/4-20,HEX,LOCK,SST
11	2	71013-HCS	NUT,3/8-16,HEX,SST
12	3	71013-NCS	NUT,3/8-16,HEX,LOCK,SST
13	2	71513-FS	WASHER,3/8,FLAT,1-OD,.083THK,SST

HIGH PRESSURE PUMP STATION CONTROL BOX IO MODULE CIRCUIT BREAKER 11010190



BOM ID	Qty	PartNo	Description
1	1	11010052	NODE,I/O-MODULE,10IN,20OUT,4US,2SERIAL
2	1	02030370	DECAL,OUTPUT-LIST,HP-PUMP,NODE,ICON
3	1	04010010	CONTACT,AUX,TOP-MOUNT,NO-NC,EATON
4	1	04020033	CONTACTOR,40A,24V-50/60HZ,600V,EATON
5	1	04110110	CIRCUIT-BREAKER,MSP,32-40A,65KA,480V
6	1	04110111	LINK,MODULE,SIZE-D,MSP-TO-CONTACTOR
7	1	04110112	MSP,PHASE,SEPARATOR,FRAME-SIZE-D
8	2	04580019	CIRCUIT-BOARD,OUTPUT,5-RELAY,6A
9	1	34900	LUG,GROUNDING,14-4GA,COPPER
10	1	70106-HCS	SCREW,1/4-20x.50,HHCS,SST
11	1	71511-LS	WASHER,1/4,LOCK,SST
12	10	73604-CNFS	SCREW,#8-32x.50,PHTCS,SST
19	3	36215	WIRING DUCT COVER,1.00",PVC,WHT,LENGTH
21	8	73604-TXCZ	SCREW,#8x.50,HHTEK,ZP

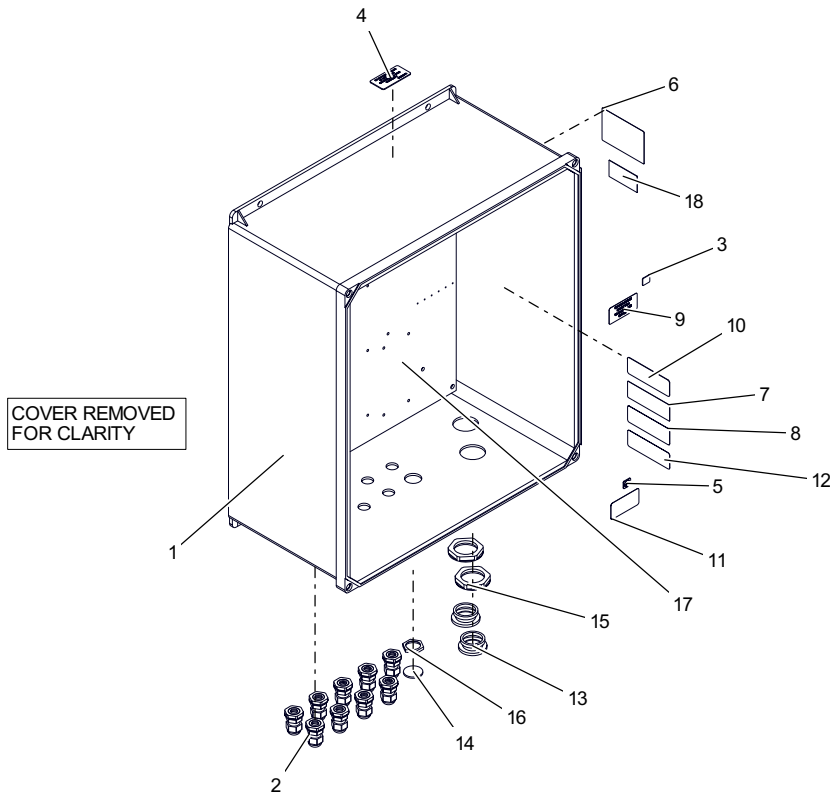
HIGH PRESSURE PUMP STATION CONTROL BOX TERMINALS FUSES 11010190



BOM ID	Qty	PartNo	Description
1	1	04050008	RELAY-SOCKET,W-DPDT-RELAY,24VAC,8A
2	2	04110031	FUSE-HOLDER,AUTOMOTIVE,TERM-BLK
3	1	04110034	FUSE,3A,MINI,FAST-ACTING,AUTOMOTIVE
4	1	04110035	FUSE-HOLDER,END-PLATE,2P,MINI-AUTOMOTIVE
5	1	04110059	FUSE,5A,MINI,FAST-ACTING,AUTOMOTIVE,STYL
6	1	34900	LUG,GROUNDING,14-4GA,COPPER
7	1	36504	TERMINAL,END-PLATE,283-316
8	9	36507	TERMINAL-BLK,26-14GA,4P,GRAY
9	3	36508	TERMINAL-BLK,FRONT,2P,24-6GA,283-601
10	1	36607	END PLATE,FRONT,4P,280-317,ORANGE
11	4	36650	END-STOP,6mm,PLST,GRAY,249-116
12	1	36800	JUMPER,INSULATED,GRAY
13	1	36802	JUMPER INSULATED 282-402
14	1	36950-3.00	DIN-RAIL,35mmx3.00",AL
15	1	36950-5.00	DIN-RAIL,35mmx5.00",AL
16	1	70106-HCS	SCREW,1/4-20x.50,HHCS,SST
17	1	71511-LS	WASHER,1/4,LOCK,SST
18	4	73604-TXCZ	SCREW,#8x.50,HHTEK,ZP

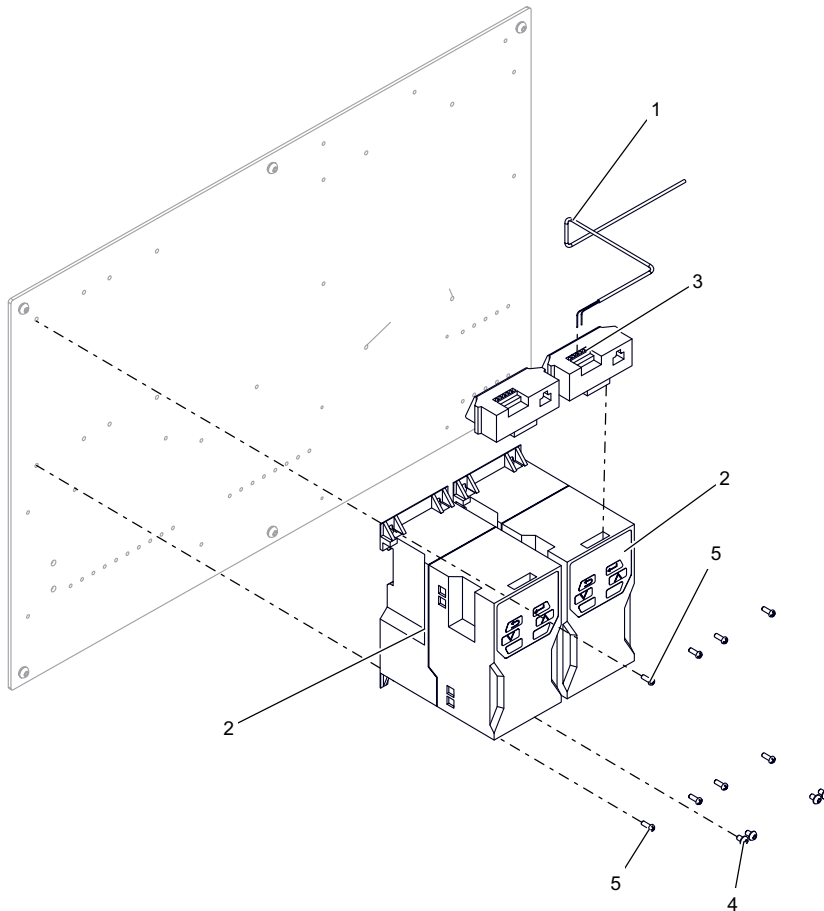
HIGH PRESSURE PUMP STATION CONTROL BOX LABLES

11010190



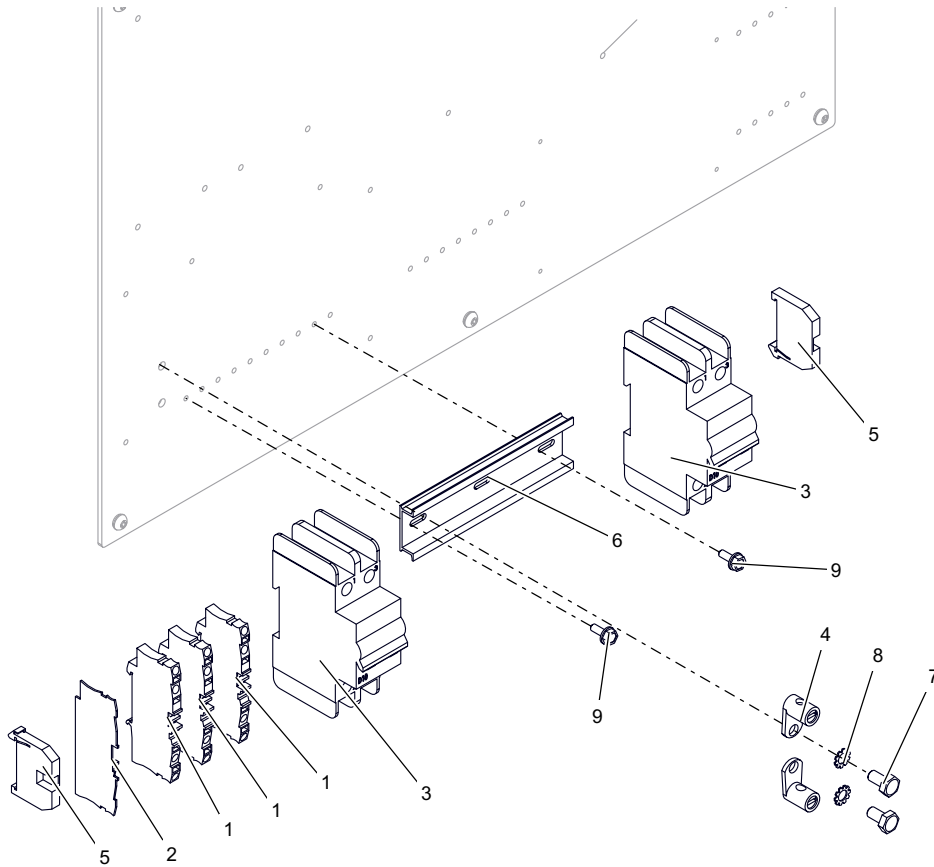
BOM ID	Qty	PartNo	Description
1	1	04090149	ENCLOSURE,18x16x9.75,FIBERGLASS,HINGED
2	9	04450024	STRAIN-RELIEF,.138-.315",W/LOCKNUT,NYLON
3	1	02020004	LABEL,PRINTED,PE
4	1	02020074	LABEL,PRINTED,2x1",WHITE,DO-NOT-DRILL
5	1	02020296	LABEL,IDENT,GROUND-SYMBOL
6	1	02230163	LABEL-ID,11010190,HP,CTRL,208V,ICON
7	1	02240023	LABEL,INFO,AMP-RATING,TERMINAL-36507
8	1	02240052	LABEL,INFO,AMP-RATING,TERMINAL-36508
9	1	02240053	LABEL,INFO,BRANCH-CIRCUIT-PROTECTION
10	1	02240054	LABEL,INFO,FUSE-REPLACMNT,11010190,ICON
11	1	02240057	LABEL,INFO,GROUND-BAR,TORQUE,RATING
12	1	02240059	LABEL,INFO,CIRCUIT,PROTECTION,UL508
13	2	04330011	PLUG,HOLE,M32x1.5,NYLON
14	1	04330013	PLUG,HOLE,M20x1.5,POLYSTYRENE,GRAY
15	2	05020063	NUT,LOCK,M32x1.5,NYL,GREY
16	1	05020069	NUT,M20x1.5,NYL,GRAY
17	1	06240421	PANEL,ELEC,BACK,HP-PUMP-STA,ICON
18	1	02240012	LABEL,ETL,UL508A,CSA22.2NO14-95

FRONT BRIDGE OPTIONAL ELECTRICAL FREQUENCY DRIVE VFD MODULE 11010350



BOM ID	Qty	PartNo	Description
1	1	04080675	HARNESS, COMM, RS485, VFD, F-B, OPT, TDMSL
2	2	04180036	FREQ-DRIVE, UM200, 0.75HP, 0.55kW, 230V, 1PH
3	2	04540100	MODULE, VFD, INTERFACE, COMM, RS-485, LW360P
4	4	05040141	SCREW, M4x6mm, PPHMS, SST
5	8	70033-SCS	SCREW, #8-32x.38, PRHMS, SST

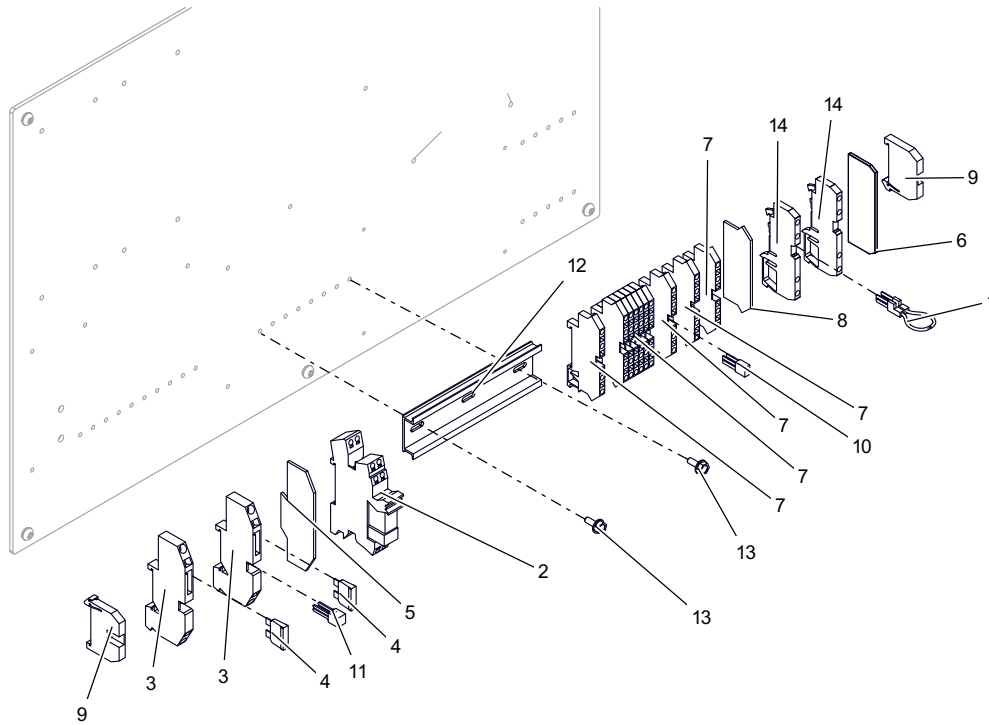
FRONT BRIDGE OPTIONAL ELECTRICAL CIRCUIT BREAKERS GROUNDING LUGS 11010350



BOM ID	Qty	PartNo	Description
1	3	04100050	TERMINAL-BLOCK,4P,10-20AWG,30A,GRAY,WAGO
2	1	04100051	TERMINAL-END-BARRIER,ORANGE,4P,WAGO
3	2	04110057	CIRCUIT-BREAKER,10A,2P,D,277V,UL-489
4	2	34900	LUG,GROUNDING,14-4GA,COPPER
5	2	36650	END-STOP,6mm,PLST,GRAY,249-116
6	1	36950-5.00	DIN-RAIL,35mmx5.00",AL
7	2	70106-HCS	SCREW,1/4-20x.50,HHCS,SST
8	2	71511-EZ	WASHER,1/4,STAR,ZP
9	2	73604-TXCZ	SCREW,#8x.50,HHTEK,ZP

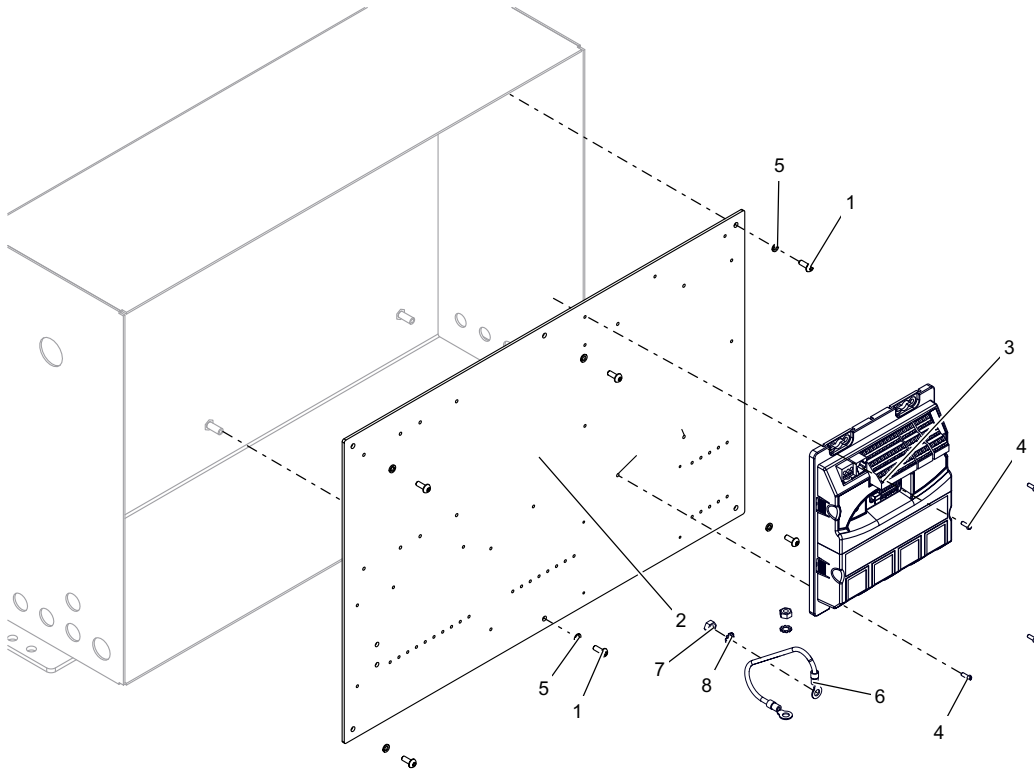
FRONT BRIDGE OPTIONAL ELECTRICAL TERMINALS FUSES

11010350



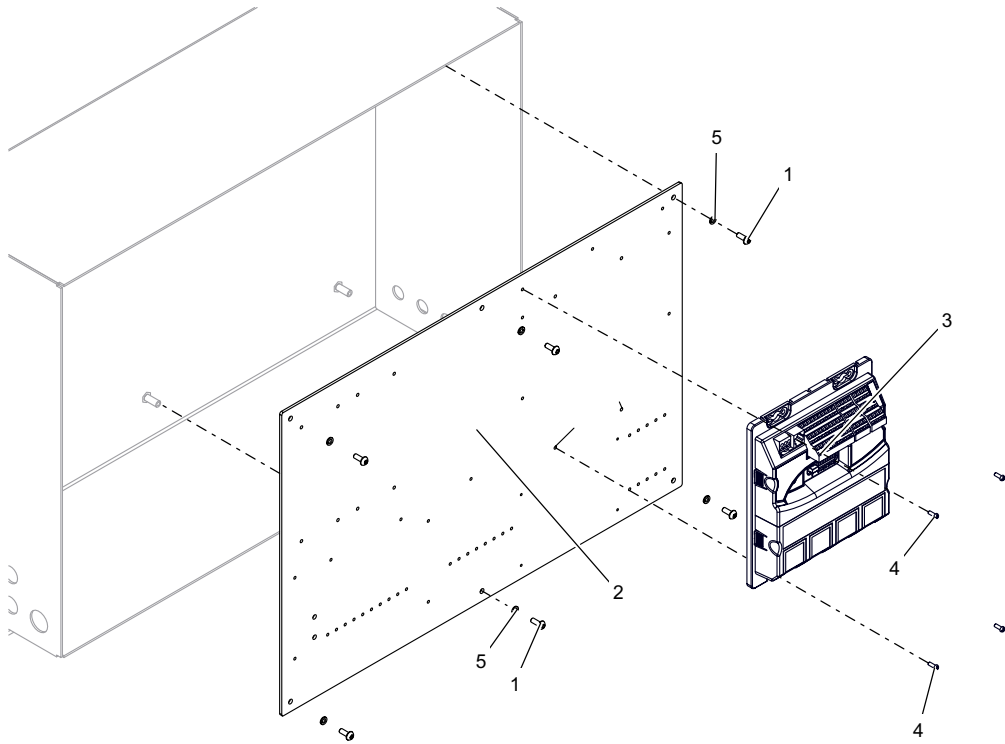
BOM ID	Qty	PartNo	Description
1	1	04100096	TERMINAL-JUMPER,WIRE,2P,WAGO
2	1	04050008	RELAY-SOCKET,W-DPDT-RELAY,24VAC,8A
3	2	04110031	FUSE-HOLDER,AUTOMOTIVE,TERM-BLK
4	2	04110034	FUSE,3A,MINI,FAST-ACTING,AUTOMOTIVE
5	1	04110035	FUSE-HOLDER,END-PLATE,2P,MINI-AUTOMOTIVE
6	1	36503	TERMINAL,END-PLATE,.098X2.95,ORANGE,WAGO
7	10	36507	TERMINAL-BLK,26-14GA,4P,GRAY
8	1	36607	END PLATE,FRONT,4P,280-317,ORANGE
9	2	36650	END-STOP,6mm,PLST,GRAY,249-116
10	1	36800	JUMPER,INSULATED,GRAY
11	1	36802	JUMPER INSULATED 282-402
12	1	36950-5.00	DIN-RAIL,35mmx5.00",AL
13	2	73604-TXCZ	SCREW,#8x.50,HIITEK,ZP
14	2	04100024	TERMINAL,GROUND,28-12AWG,4-COND,YEL-GRN

FRONT BRIDGE OPTIONAL ELECTRICAL IO MODULE GROUNDING STRAP 11010350



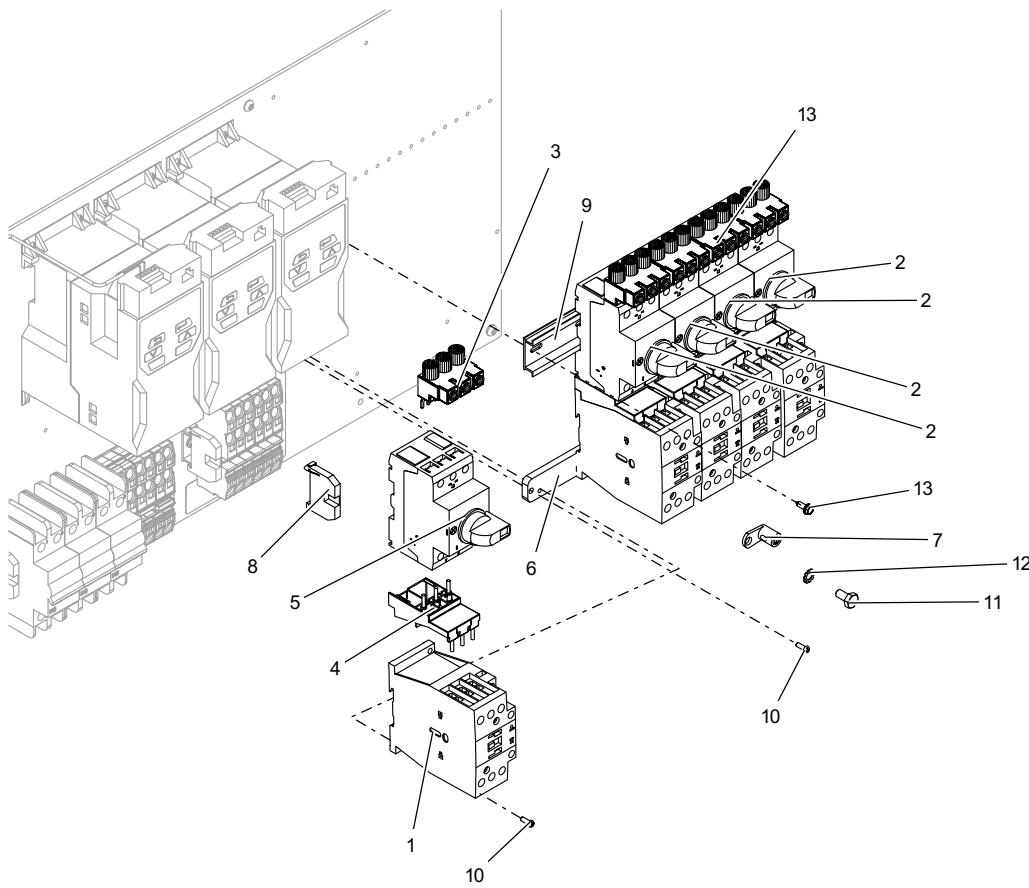
BOM ID	Qty	PartNo	Description
1	6	05040240	SCREW,#10-32x.5,PPHMS,SST
2	1	06240958	PANEL,ELEC,BACK-PLATE,BB,OPT,TDMSL
3	1	11010052	NODE,I/O-MODULE,10IN,20OUT,4US,2SERIAL
4	4	70033-SCS	SCREW,#8-32x.38,PRHMS,SST
5	6	71509-LS	WASHER,#10,LOCK,SST
6	1	04080575	HARNESS,GROUNDING-STRAP,10AWG-GRNYEL
7	2	71011-HCS	NUT,1/4-20,HEX,SST
8	2	71511-EZ	WASHER,1/4,STAR,ZP

FRONT BRIDGE OPTIONAL ELECTRICAL IO MODULE BACK PANEL 11010350



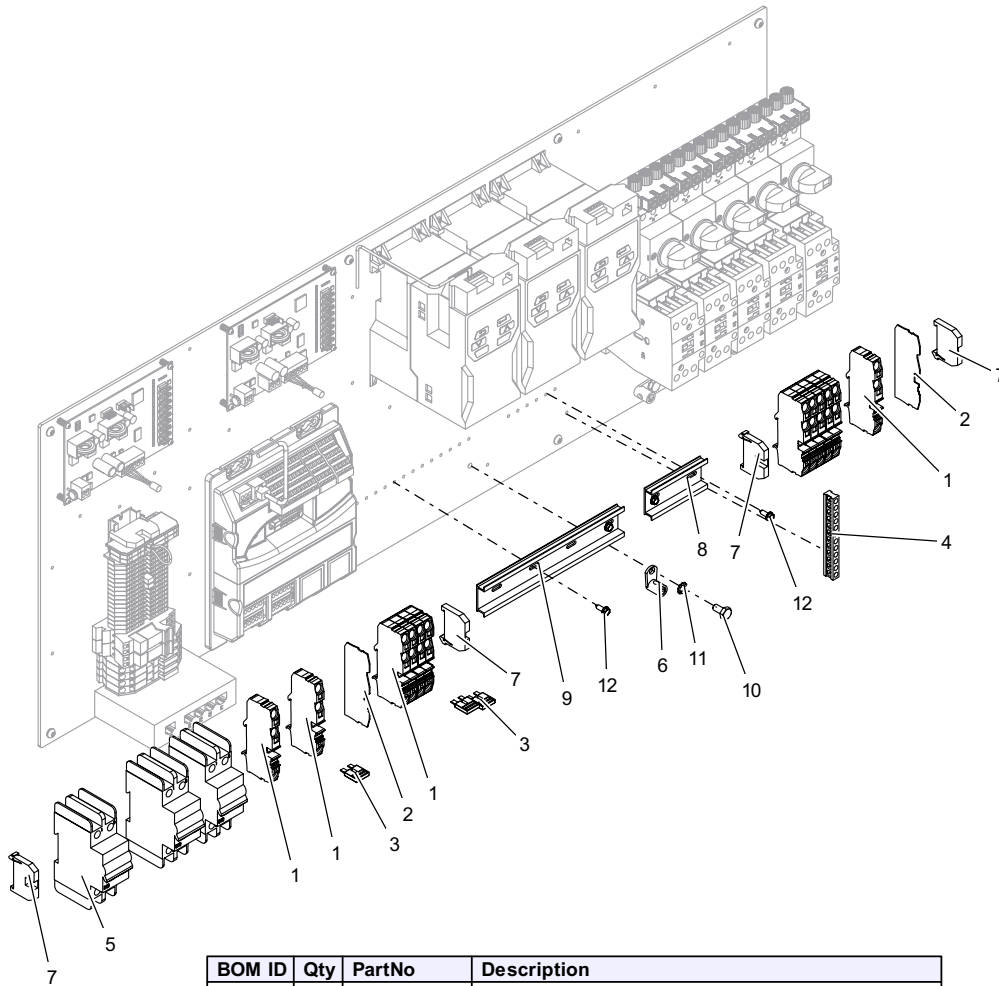
BOM ID	Qty	PartNo	Description
1	6	05040240	SCREW,#10-32x.5,PPHMS,SST
2	1	06240958	PANEL,ELEC,BACK-PLATE,BB,OPT,TDMSL
3	1	11010052	NODE,I/O-MODULE,10IN,20OUT,4US,2SERIAL
4	4	70033-SCS	SCREW,#8-32x.38,PRHMS,SST
5	6	71509-LS	WASHER,#10,LOCK,SST

FRONT BRIDGE ELECTRICAL CIRCUIT BREAKERS 11010349



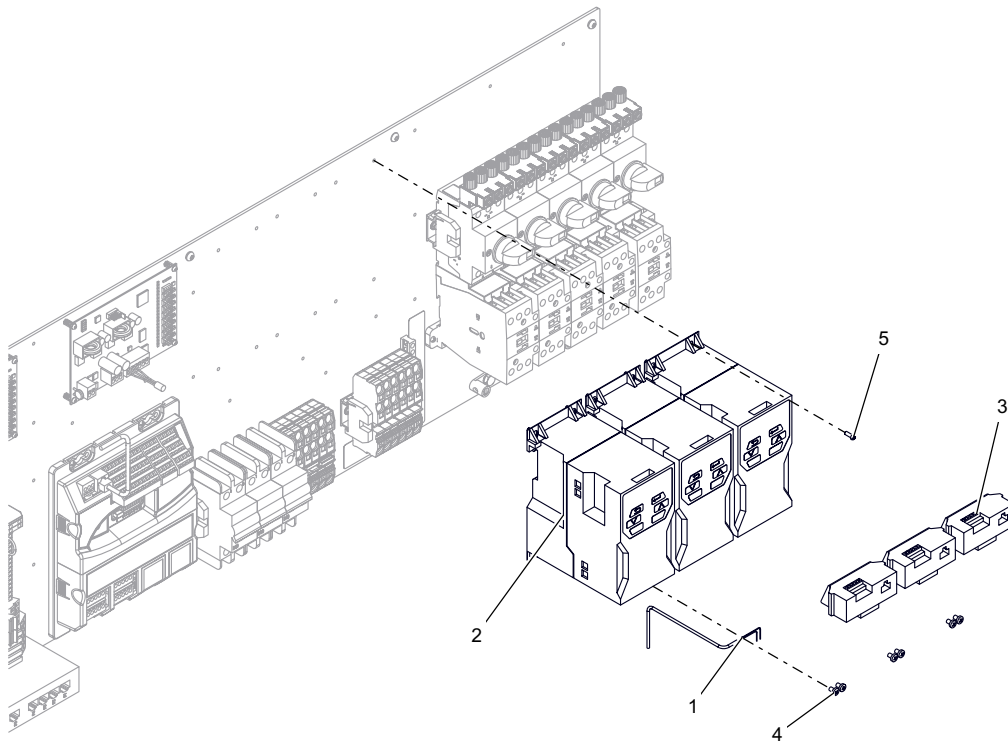
BOM ID	Qty	PartNo	Description
1	5	04020032	CONTACTOR,25A,24V-50/60HZ,AUX-NO,600V
2	4	04110102	CIRCUIT-BREAKER,MSP,20-25A,65KA,480V
3	5	04110103	MSP,PHASE,SEPARATOR,FRAME-SIZE-B
4	5	04110104	LINK,MODULE,SIZE-S0,MSP-TO-CONTACTOR
5	1	04110116	CIRCUIT-BREAKER,MSP,1.6-2.5A,65KA,480V
6	1	06240948	PLATE,MOUNTING,DRYER,CONTACTORS
7	1	34900	LUG,GROUNDING,14-4GA,COPPER
8	2	36650	END-STOP,6mm,PLST,GRAY,249-116
9	1	36950-9.50	DIN-RAIL,35mmx9.50",AL
10	7	70033-SCS	SCREW,#8-32x.38,PRHMS,SST
11	1	70106-HCS	SCREW,1/4-20x.50,HHCS,SST
12	1	71511-EZ	WASHER,1/4,STAR,ZP
13	2	73604-TXCZ	SCREW,#8x.50,HHTEK,ZP

FRONT BRIDGE ELECTRICAL TERMINAL BLOCK GROUND 11010349



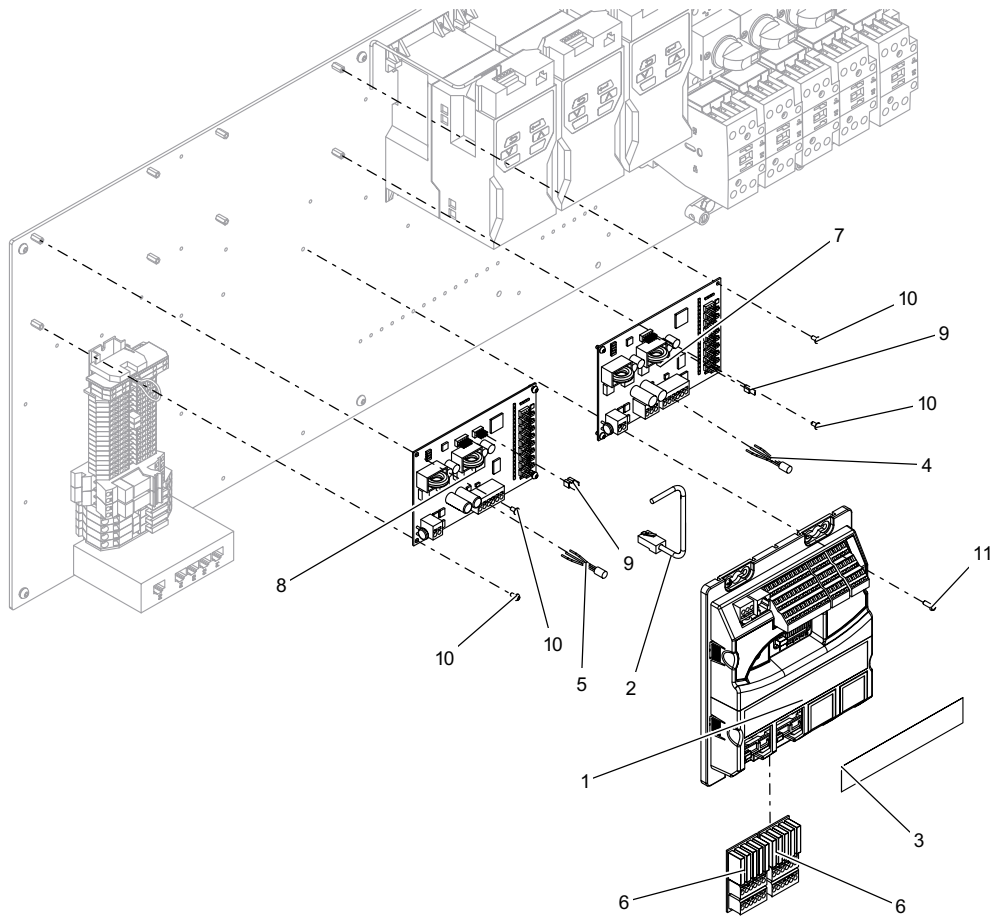
BOM ID	Qty	PartNo	Description
1	12	04100039	TERMINAL-BLOCK,WAGO,3P,6-20AWG,GRAY
2	5	04100041	TERMINAL,END-PLATE,WAGO,2010-SER,3P,ORG
3	3	04100042	TERMINAL,JUMPER,WAGO,2010-SERIES
4	1	04100046	TERMINAL-BLOCK,GND-BAR,9P,8-14AWG,225A
5	3	04110057	CIRCUIT-BREAKER,10A,2P,D,277V,UL-489
6	1	34900	LUG,GROUNDING,14-4GA,COPPER
7	4	36650	END-STOP,6mm,PLST,GRAY,249-116
8	1	36950-3.00	DIN-RAIL,35mmx3.00",AL
9	1	36950-7.50	DIN-RAIL,35mmx7.50",AL
10	1	70106-HCS	SCREW,1/4-20x.50,HHCS,SST
11	1	71511-EZ	WASHER,1/4,STAR,ZP
12	4	73604-TXCZ	SCREW,#8x.50,HHTEK,ZP

FRONT BRIDGE ELECTRICAL FEQUENCY DRIVE 11010349



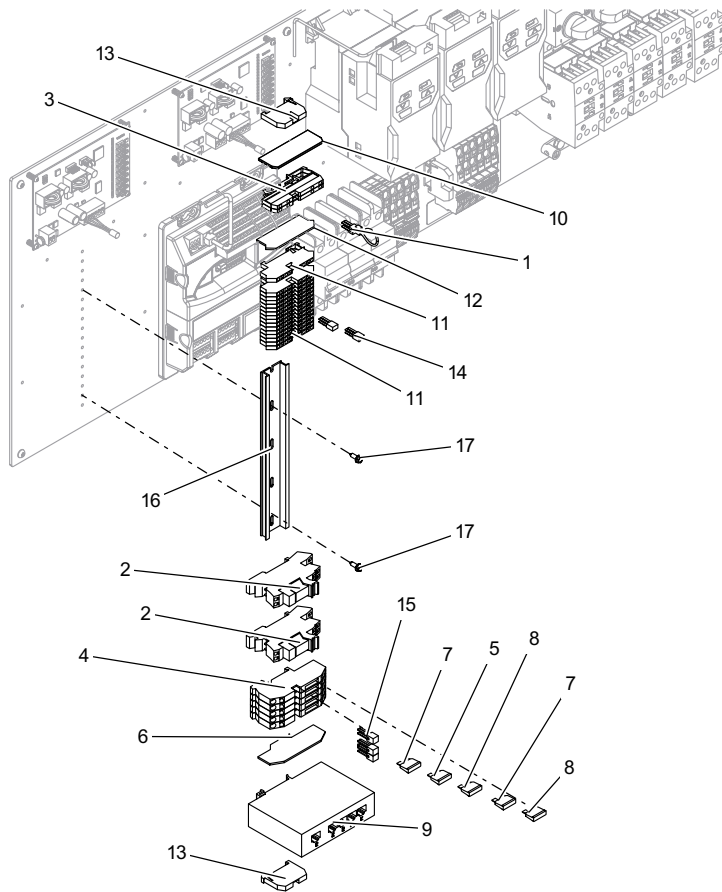
BOM ID	Qty	PartNo	Description
1	1	04080590	HARNES,COMM,RS485,VFD,LW360P
2	3	04180036	FREQ-DRIVE,UM200,0.75HP,0.55kW,230V,1PH
3	3	04540100	MODULE,VFD,INTERFACE,COMM,RS-485,LW360P
4	6	05040141	SCREW,M4x6mm,PPHMS,SST
5	12	70033-SCS	SCREW,#8-32x.38,PRHMS,SST

FRONT BRIDGE ELECTRICAL CIRCUIT BOARDS IO MODULE 11010349



BOM ID	Qty	PartNo	Description
11	4	70033-SCS	SCREW,#8-32x.38,PRHMS,SST
3	1	02030851	DECAL,NODE,OUTPUT-LIST,FB-STD,TDMSL
4	1	04080659	HARNESS,COMM,RS485,FR-BRDG,LED,TDMSL
5	1	04080708	HARNESS,COMM,RS485,LED,CRTL,TDMSL
2	1	04200031	CABLE,CAT-5,PATCH,RJ45,8C,450mm,ORANGE
6	2	04580019	CIRCUIT-BOARD,OUTPUT,5-RELAY,6A
7	1	04580044	CIRCUIT-BOARD,INTERFACE,INFRARED,MDX
8	1	04580048	CIRCUIT-BOARD,CONTROLLER,LED,DMX
9	3	04590023	SHUNT,HEADER,2-POS.,100-CENTERLINE
10	8	05040140	SCREW,M3x6mm,PPHMS,SST
1	1	11010052	NODE,I/O-MODULE,10IN,20OUT,4US,2SERIAL

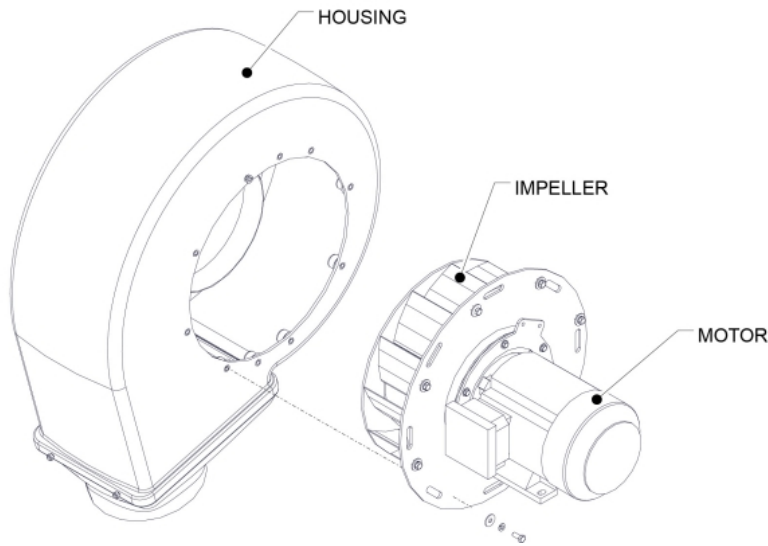
FRONT BRIDGE ELECTRICAL TERMINALS FUSES 11010349



BOM ID	Qty	PartNo	Description
10	1	36503	TERMINAL,END-PLATE,.098X2.95,ORANGE,WAGO
11	16	36507	TERMINAL-BLK,26-14GA,4P,GRAY
12	1	36607	END PLATE,FRONT,4P,280-317,ORANGE
13	2	36650	END-STOP,6mm,PLST,GRAY,249-116
14	2	36800	JUMPER,INSULATED,GRAY
15	3	36802	JUMPER INSULATED 282-402
16	1	36950-8.50	DIN-RAIL,.35mmx8.50",AL
17	2	73604-TXCZ	SCREW,#8x.50,HHTEK,ZP
2	2	04050008	RELAY-SOCKET,W-DPDT-RELAY,24VAC,8A
3	2	04100024	TERMINAL,GROUND,28-12AWG,4-COND,YEL-GRN
1	1	04100096	TERMINAL-JUMPER,WIRE,2P,WAGO
4	5	04110031	FUSE-HOLDER,AUTOMOTIVE,TERM-BLK
5	1	04110034	FUSE,3A,MINI,FAST-ACTING,AUTOMOTIVE
6	1	04110035	FUSE-HOLDER,END-PLATE,2P,MINI-AUTOMOTIVE
7	2	04110059	FUSE,5A,MINI,FAST-ACTING,AUTOMOTIVE,STYL
8	2	04110091	FUSE,4A,MINI,FAST-ACTING,AUTOMOTIVE,STYL
9	1	04540113	HUB,ETHERNET,5-PORT,18-27VAC,18-32VDC

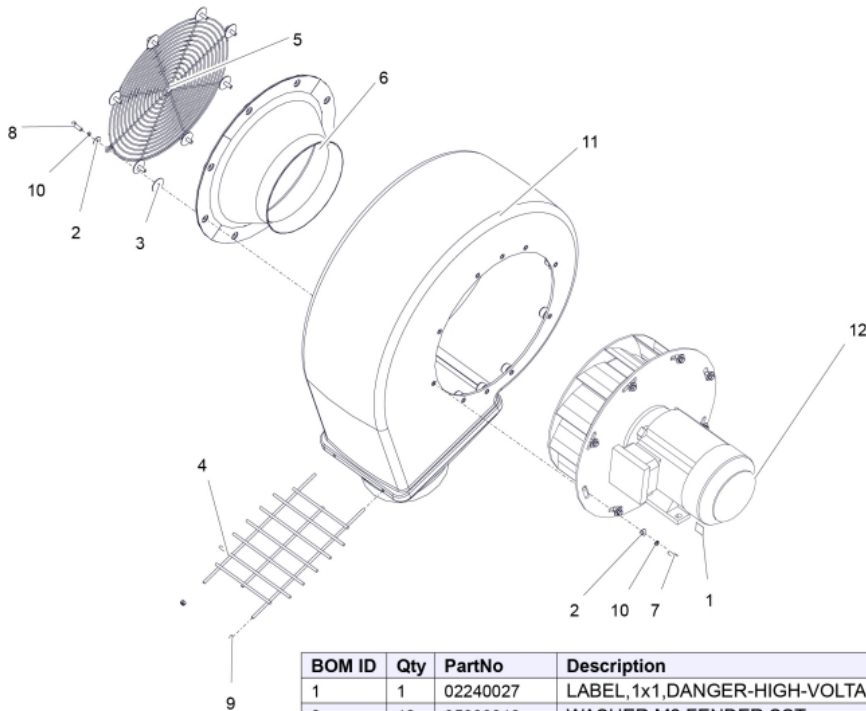
FRONT BRIDGE DRYERS INNER PRODUCER-11100215

P/N	DESCRIPTION	CONFIG	MODEL	MTR-IMP P/N	HOUSING P/N
11100214	DRYER, 7.5HP, 208-230V, 60HZ, CW, OSC, DK-BL	CW	LW / TANDEM	11100225	06050062
11100215	DRYER, 7.5HP, 208-230V, 60HZ, CCW, OSC, DK-BL	CCW	LW / TANDEM	11100224	06050062
11100216	DRYER, 7.5HP, 380V, 50HZ, CW, OSC, DK-BL	CW	LW / TANDEM	11100228	06050062
11100217	DRYER, 7.5HP, 380V, 50HZ, CCW, OSC, DK-BL	CCW	LW / TANDEM	11100229	06050062
11100218	DRYER, 7.5HP, 380/460V, 60HZ, CW, OSC, DK-BL	CW	LW / TANDEM	11100269	06050062
11100219	DRYER, 7.5HP, 380/460V, 60HZ, CCW, OSC, DK-BL	CCW	LW / TANDEM	11100270	06050062
11100220	DRYER, 7.5HP, 575V, 60HZ, CW, OSC, DK-BL	CW	LW / TANDEM	11100226	06050062
11100221	DRYER, 7.5HP, 575V, 60HZ, CCW, OSC, DK-BL	CCW	LW / TANDEM	11100227	06050062
11100222	DRYER, 7.5HP, 220V, 50HZ, CW, OSC, DK-BL	CW	LW / TANDEM	11100228	06050062
11100223	DRYER, 7.5HP, 220V, 50HZ, CCW, OSC, DK-BL	CCW	LW / TANDEM	11100229	06050062



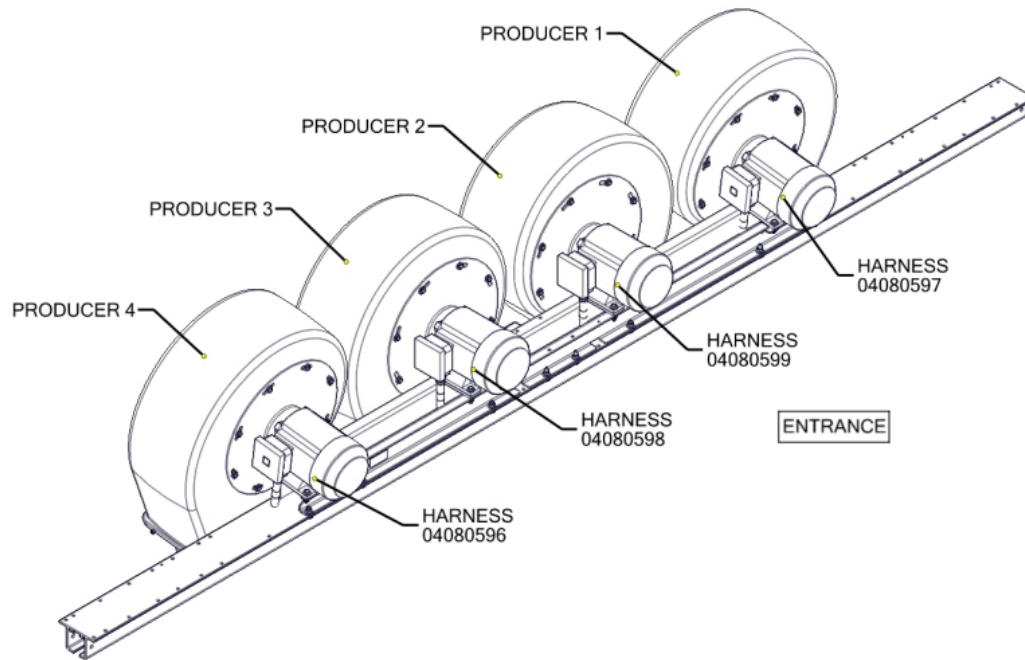
FRONT BRIDGE DRYERS OUTER PRODUCER-11100204

P/N	DESCRIPTION	CONFIG	MODEL	MTR-IMP P/N	HOUSING P/N
11100214	DRYER,7.5HP,208-230V,60HZ,CW,OSC,DK-BL	CW	LW / TANDEM	11100225	06050062
11100215	DRYER,7.5HP,208-230V,60HZ,CCW,OSC,DK-BL	CCW	LW / TANDEM	11100224	06050062
11100216	DRYER,7.5HP,380V,50HZ,CW,OSC,DK-BL	CW	LW / TANDEM	11100228	06050062
11100217	DRYER,7.5HP,380V,50HZ,CCW,OSC,DK-BL	CCW	LW / TANDEM	11100229	06050062
11100218	DRYER,7.5HP,380/460V,60HZ,CW,OSC,DK-BL	CW	LW / TANDEM	11100269	06050062
11100219	DRYER,7.5HP,380/460V,60HZ,CCW,OSC,DK-BL	CCW	LW / TANDEM	11100270	06050062
11100220	DRYER,7.5HP,575V,60HZ,CW,OSC,DK-BL	CW	LW / TANDEM	11100226	06050062
11100221	DRYER,7.5HP,575V,60HZ,CCW,OSC,DK-BL	CCW	LW / TANDEM	11100227	06050062
11100222	DRYER,7.5HP,220V,50HZ,CW,OSC,DK-BL	CW	LW / TANDEM	11100228	06050062
11100223	DRYER,7.5HP,220V,50HZ,CCW,OSC,DK-BL	CCW	LW / TANDEM	11100229	06050062



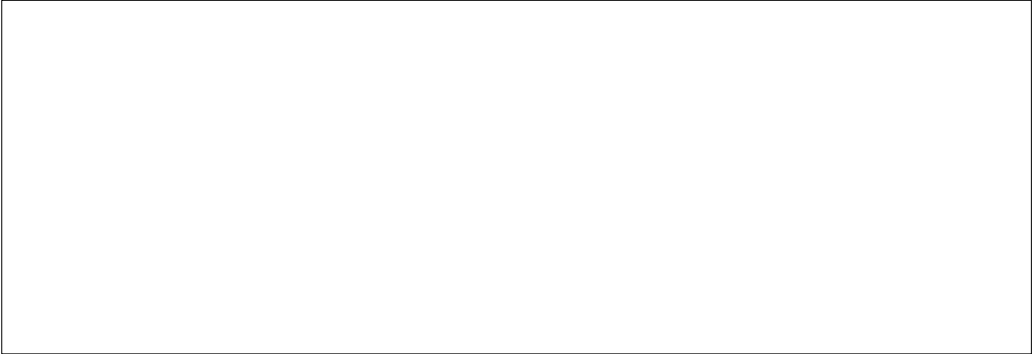
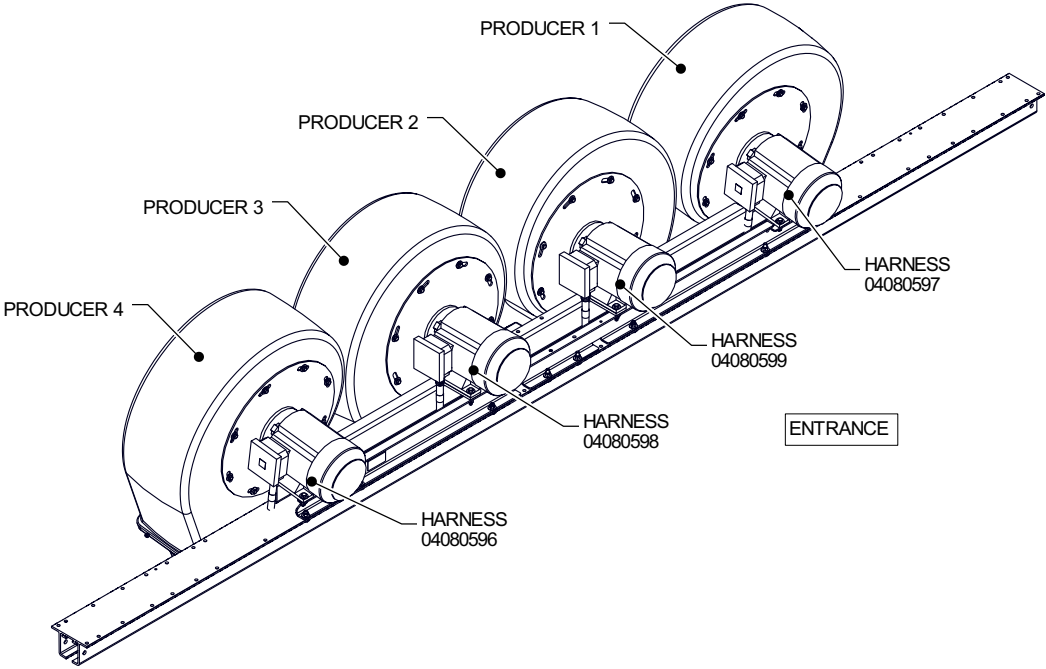
BOM ID	Qty	PartNo	Description
1	1	02240027	LABEL, 1x1, DANGER-HIGH-VOLTAGE
2	12	05030018	WASHER, M8, FENDER, SST
3	8	05030075	WASHER, 5/16, FENDER, 1.50OD, .062THK, SST
4	1	06160195	GUARD, DISCHARGE-SCREEN, DRYER, SST
5	1	06160237	GUARD, INLET-SCREEN, DRYER, WIRE, SST
6	1	11100327	DRYER, INLET-CONE, W/GASKET
7	8	70143-HCS	SCREW, 5/16-18x.75, HHCS, SST
8	8	70145-HCS	SCREW, 5/16-18x1.00, HHCS, SST
9	4	71011-NCS	NUT, 1/4-20, HEX, LOCK, SST
10	16	71512-LS	WASHER, 5/16, LOCK, SST
11	1	SEE TABLE	HOUSING
12	1	11100181	DRYER, MTR-IMP, 208/230V, 60HZ, CW, ANGL, HRZ

FRONT BRIDGE FIXED INTERGRATED DRYER-09040227

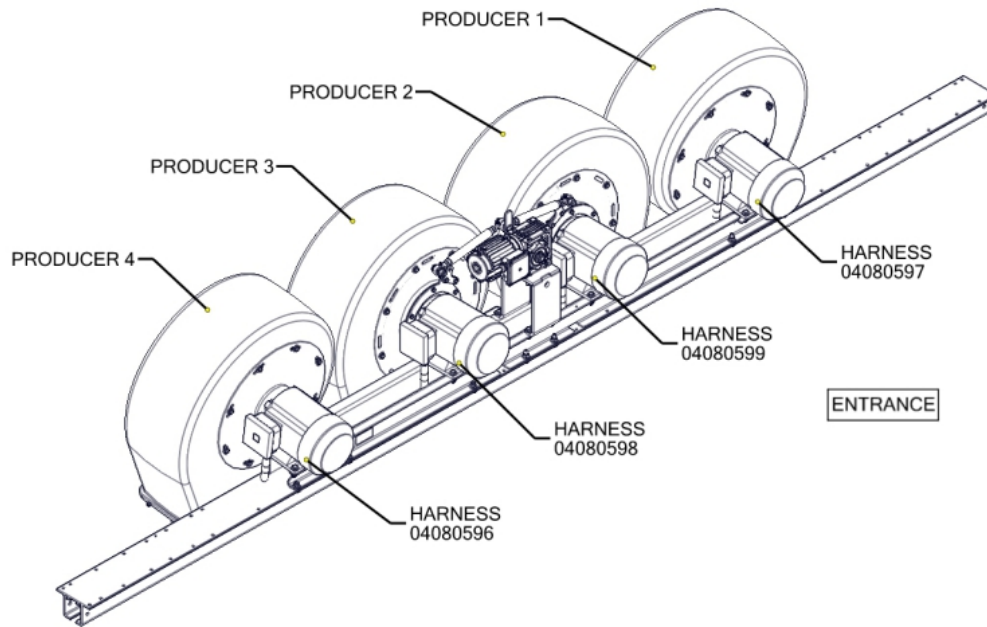


MODEL #	VOLTAGE	PRODUCER 1 ASSY P/N	PRODUCER 2 ASSY P/N	PRODUCER 3 ASSY P/N	PRODUCER 4 ASSY P/N	LABEL ID P/N
9040227	208/230V-60Hz	11100205	11100285	11100284	11100204	2230309
9040228	400V-50Hz	11100207	11100287	11100286	11100206	2230310
9040229	400/460V-60Hz	11100209	11100289	11100288	11100208	2230311
9040230	575V 60Hz	11100211	11100291	11100290	11100210	2230312
9040231	220V-50Hz	11100213	11100293	11100292	11100212	2230313
2 PRODUCER MODEL WILL NOT USE OUTSIDE DRYER # 1 & 4						
9040232	208/230V-60Hz	N/A	11100285	11100284	N/A	2230314
9040233	400V-50Hz	N/A	11100287	11100286	N/A	2230315
9040234	400/460V-60Hz	N/A	11100289	11100288	N/A	2230316
9040235	575V 60Hz	N/A	11100291	11100290	N/A	2230317
9040236	220V-50Hz	N/A	11100293	11100292	N/A	2230318

FRONT BRIDGE FIXED INTERGRATED DRYER-09040227

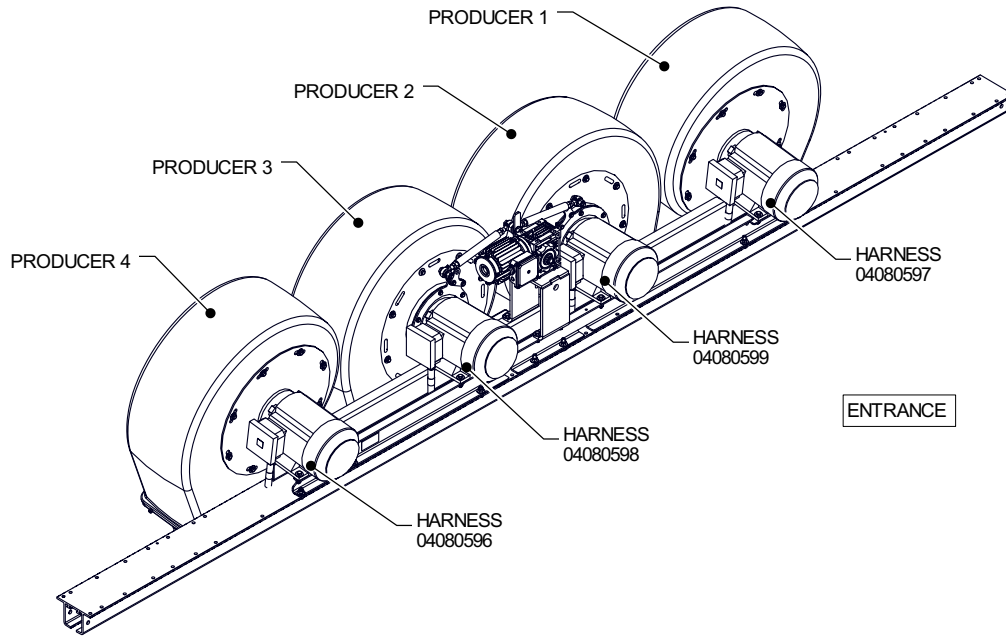


FRONT BRIDGE SWING AIR INTERGRATED DRYER-09040217

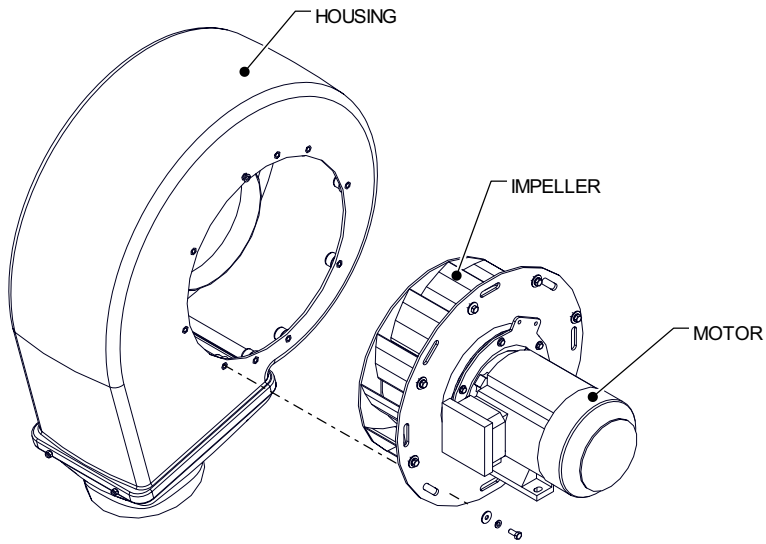
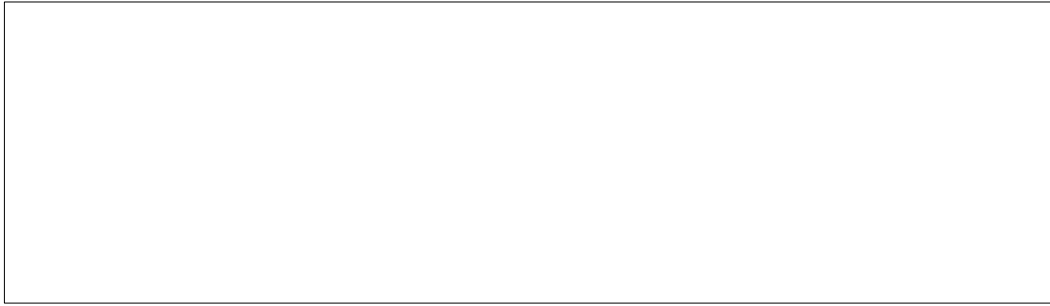


MODEL #	VOLTAGE	PRODUCER 1 ASSY P/N	PRODUCER 2 ASSY P/N	PRODUCER 3 ASSY P/N	PRODUCER 4 ASSY P/N	LABEL ID P/N
9040217	208/230V-60Hz	11100205	11100214	11100215	11100204	2230299
9040218	400V-50Hz	11100207	11100216	11100217	11100206	2230300
9040219	400/460V-60Hz	11100209	11100218	11100219	11100208	2230301
9040220	575V 60Hz	11100211	11100220	11100221	11100210	2230302
9040221	220V-50Hz	11100213	11100222	11100223	11100212	2230303
2 PRODUCER MODEL WILL NOT USE OUTSIDE DRYER # 1 & 4						
9040222	208/230V-60Hz	N/A	11100214	11100215	N/A	2230304
9040223	400V-50Hz	N/A	11100216	11100217	N/A	2230305
9040224	400/460V-60Hz	N/A	11100218	11100219	N/A	2230306
9040225	575V 60Hz	N/A	11100220	11100221	N/A	2230307
9040226	220V-50Hz	N/A	11100222	11100223	N/A	2230308

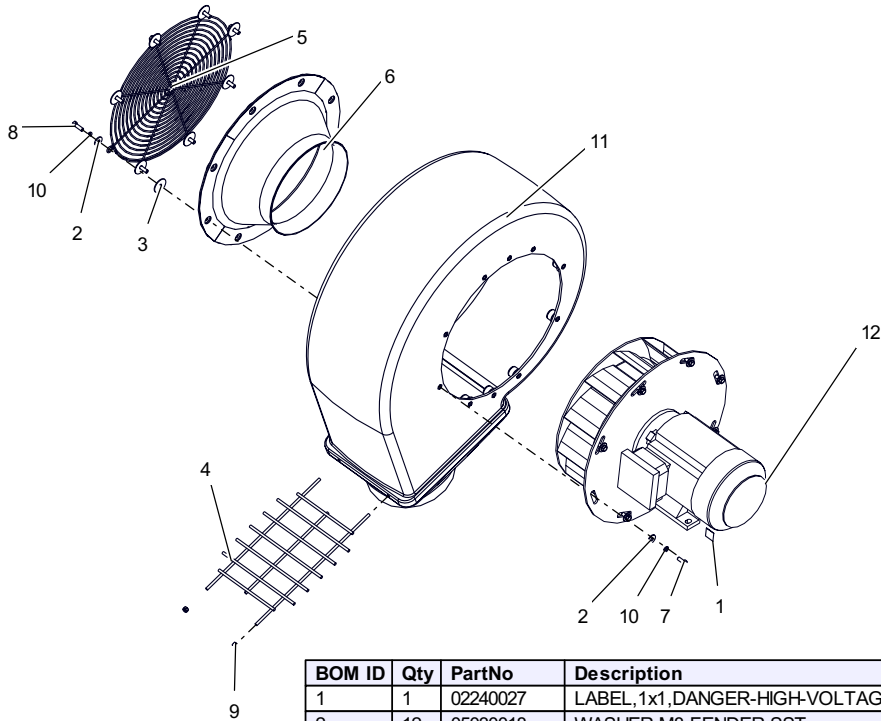
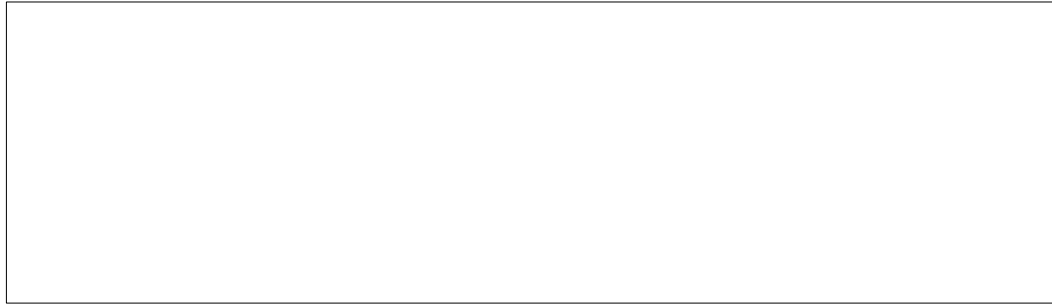
FRONT BRIDGE SWING AIR INTERGRATED DRYER-09040217



FRONT BRIDGE DRYERS INNER PRODUCER-11100215

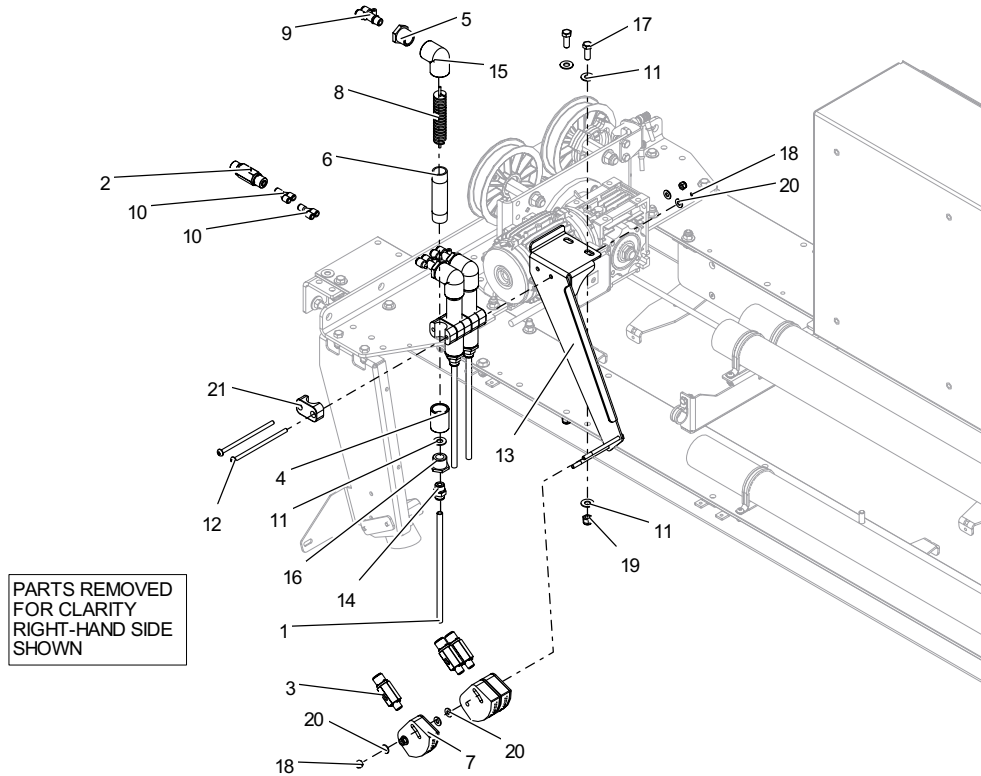


FRONT BRIDGE DRYERS OUTER PRODUCER-11100204



BOM ID	Qty	PartNo	Description
1	1	02240027	LABEL,1x1,DANGER-HIGH-VOLTAGE
2	12	05030018	WASHER,M8,FENDER,SST
3	8	05030075	WASHER,5/16,FENDER,1.50OD,.062THK,SST
4	1	06160195	GUARD,DISCHARGE-SCREEN,DRYER,SST
5	1	06160237	GUARD,INLET-SCREEN,DRYER,WIRE,SST
6	1	11100327	DRYER,INLET-CONE,W/GASKET
7	8	70143-HCS	SCREW,5/16-18x.75,HHCS,SST
8	8	70145-HCS	SCREW,5/16-18x1.00,HHCS,SST
9	4	71011-NCS	NUT,1/4-20,HEX,LOCK,SST
10	16	71512-LS	WASHER,5/16,LOCK,SST
11	1	SEE TABLE	HOUSING
12	1	11100181	DRYER,MTR-IMP,208/230V,60HZ,CW,ANGL,HRZ

FRONT BRIDGE 3X FOAM APPLICATOR 11250260

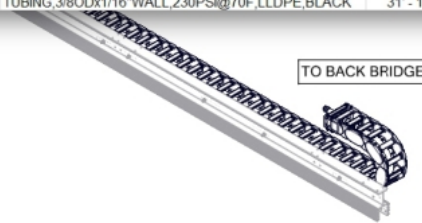


BOM ID	Qty	PartNo	Description
1	3	01120007	TUBING,3/8ODX.06W,230PSI@70F,LLDPE,BLUE
2	1	03010105	VALVE,CHECK,1/4x1/4PCF,3#,BRIDGE,G5
3	3	03010134	VALVE,CHECK,3/8PCF-INx1/4NPT-OUT,1#
4	3	03070044	COUPLING,3/4NPT,SCHED40,PVC
5	3	03090019	BUSHING,3/4NPTx1/4NPT,PVC
6	3	03130047	NIPPLE,3/4NPTx4.00,SC80,PVC
7	3	03230088	NOZZLE,SPRAY,3X,PVC,30-HOLES,LW360P
8	3	03260002	MIXER,BRUSH,FOAMER,.875X4,3X/SS,LW360P
9	3	03320048	TUBE-FTG,Y,1/4Tx1/4NPT,PUSH,PLSTC
10	2	03320058	TUBE-FTG,Y,1/4T,SPLITTER,PUSH,PLSTC,PP
11	7	05030067	WASHER,3/8,FLAT,7/8-OD,.050THK,SST
12	2	05040298	SCREW,1/4-20x5.00,PPHMS,SST
13	1	06141288-RH	BRACKET,MOUNT,3X-FOAM,RH,LW360P
14	3	24038-PB	TUBE-FTG,CONN,3/8Tx3/8NPT,PUSH,BRS
15	3	67408-4P	ELBOW,3/4NPT,90DEG,SC40,PVC
16	3	67708-4P	BUSHING,3/4NPTx3/8NPT,SC40,PVC
17	2	70180-HCS	SCREW,3/8-16x1.00,HHCS,SST
18	4	71011-NCS	NUT,1/4-20,HEX,LOCK,SST
19	2	71013-NCS	NUT,3/8-16,HEX,LOCK,SST
20	10	71511-FS	WASHER,1/4,FLAT,SST
21	3	75016	CLAMP,TUBE,1",PP,STANDARD

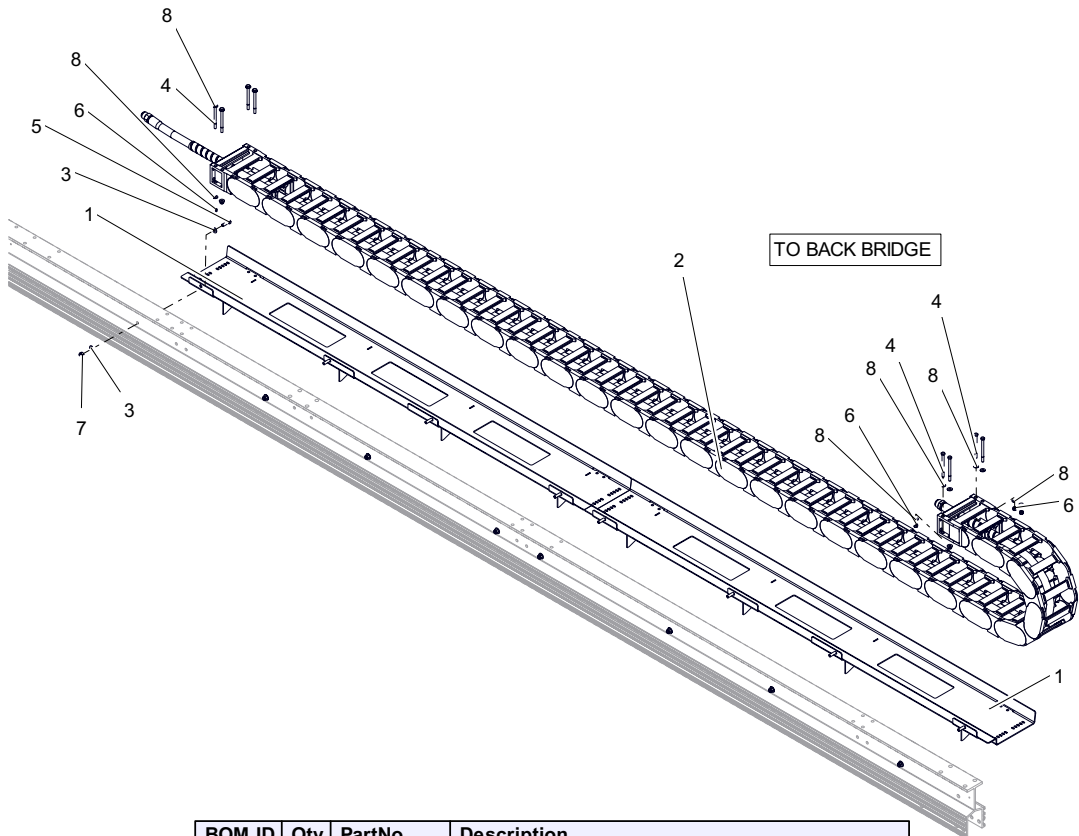


BACK BRIDGE ECHAIN CONTENTS-11190049 11190051

ITEM	11190049 QTY.	11190051 QTY.	LABEL TEXT	PART #	DESCRIPTION	CUT LENGTH +/- 1/2"	USED WITH OPTION
1	1	1	36W38 SYS STOP	1140040	CABLE, 14-5,PVC,600V, 45-DIA, 4-BLK, 1-GRN	41' - 4"	BASE MACHINE
2	1	-	37W36 BRIDGE PWR	1140024	CABLE, 8-4,PVC, DIA 69, COP, 3BLK, 1GRN	41' - 4"	BASE MACHINE
3	-	1	37W36 BRIDGE PWR	1140032	CABLE, 8-5,PVC, 72/26-STRD, COP, 4BLK, 1GRN	41' - 4"	BASE MACHINE
4	1	1	36W34 ETHERNET	4080651	CABLE, ETHERNET, HIGH-FLEX, RJ45-ENDS		BASE MACHINE
5	4	4		75101	CLAMP, HOSE, #6, 38- 50H, SST		BASE MACHINE
6	1	1		6160520	COVER, CABLE, SPIRAL, 2'LONG, ECHAIN, LW360P		BASE MACHINE
7	1	1		6050135	E-CHAIN, BRIDGE, 46-LINK, IGUS, E4 56, TDMSL		BASE MACHINE
8	1	1	BRUSH LUBE	1130029	HOSE, 500, 300PSI, BLUE, PVC-CMPD, SYN-YRN	31' - 10"	BASE MACHINE
9	1	1	RINSE	1130030	HOSE, 625, 300PSI, BLUE, PVC-CMPD, SYN-YRN	31' - 10"	BASE MACHINE
10	1	1		3340139	HOSE, BRIDGE, HP, 3/4", SPIRAL, TDMSL		HIGH PRESSURE OPTIONS
11	1	1		11190049B	LABEL, SET, E-CHAIN, END-IDENTIFICATION, TDMSL		BASE MACHINE
12	1	1		11190049A	LABEL, SET, E-CHAIN, LINE-IDENTIFICATION, TDMSL		BASE MACHINE
13	1	1	DETERGENT#1	1120019	TUBING, 1/2"ODx.06W, 150PSI@70°F, LLDPE, BLK	31' - 10"	BASE MACHINE
14	1	1	FOAMING WAX	1120019	TUBING, 1/2"ODx.06W, 150PSI@70°F, LLDPE, BLK	31' - 10"	9170180
15	1	1	SUPER SEALANT	1120019	TUBING, 1/2"ODx.06W, 150PSI@70°F, LLDPE, BLK	31' - 10"	9170178
16	1	1	WHEEL CHEMICAL	1120019	TUBING, 1/2"ODx.06W, 150PSI@70°F, LLDPE, BLK	31' - 10"	9170176
17	1	1	COMP AIR	1120016	TUBING, 3/8ODx1/16"WALL, 230PSI@70°F, LLDPE, BLACK	31' - 10"	BASE MACHINE

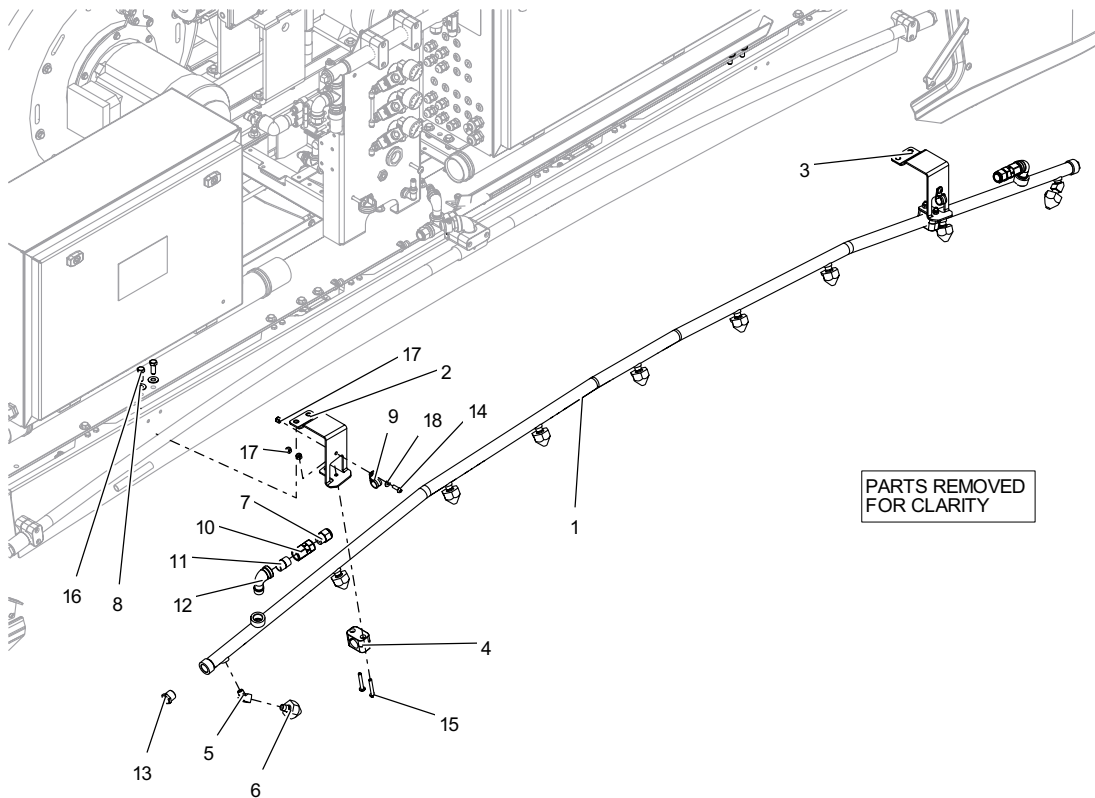


BACK BRIDGE ECHAIN-11190049 11190051



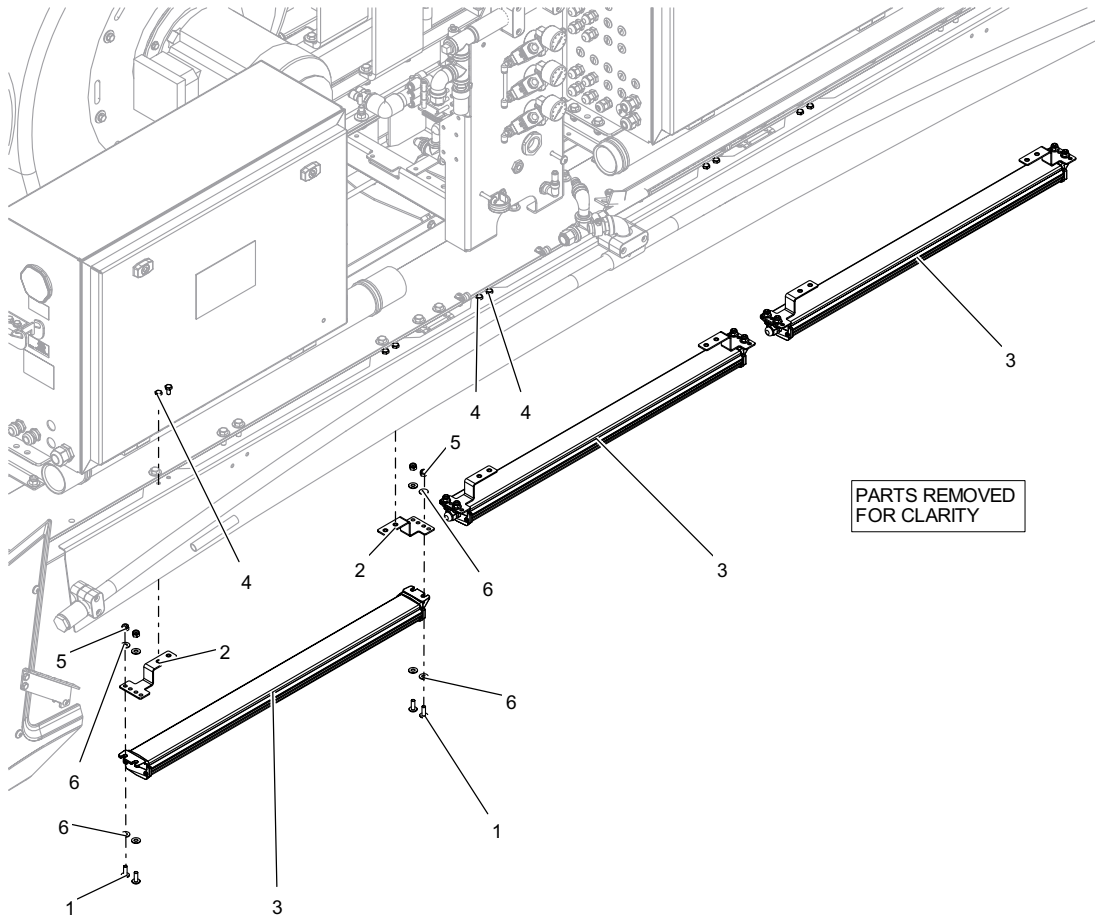
BOM ID	Qty	PartNo	Description
1	2	06240851	TRAY,E-CHAIN,SUPPORT,W/RAIL#0009,LW360P
2	1	11190049	E-CHAIN,KIT,208/220/230V,BACK-BRDG,TDMSL
3	16	05030067	WASHER,3/8,FLAT,7/8-OD,.050THK,SST
4	8	70157-HCS	SCREW,5/16-18x4.00,HHCS,SST
5	8	70181-HCS	SCREW,3/8-16x1.25,HHCS,SST
6	8	71012-NCS	NUT,5/16-18,HEX,LOCK,SST
7	8	71013-NCS	NUT,3/8-16,HEX,LOCK,SST
8	16	71512-FS	WASHER,5/16,FLAT,SST

FRONT BRIDGE PRODUCTIVITY RINSE APPLICATOR-11250289



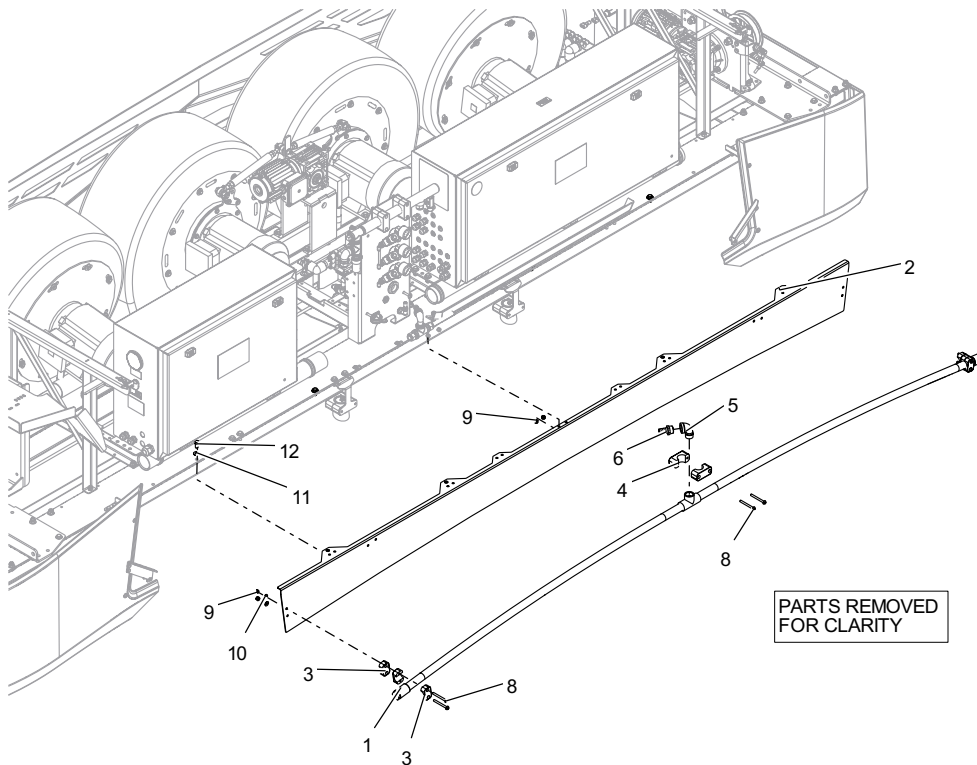
BOM ID	Qty	PartNo	Description
1	1	03220321	MANIFOLD,RINSE,PRODUCTIVITY,LW360PLUS
2	1	06141605-LH	BRACKET,RINSE-MANIF,MOUNT,LH
3	1	06141605-RH	BRACKET,RINSE-MANIF,MOUNT,RH
4	2	75016	CLAMP,TUBE,1",PP,STANDARD
5	2	03040001	ELBOW,STREET,1/4NPT,45DEG,BRS
6	9	03230029	NOZZLE,DEFLECTION,5060,1/4MNPT,BR
7	2	03320069	TUBE-FTG,16mmTx1/2MNPT,BRASS
8	4	05030067	WASHER,3/8,FLAT,7/8-OD,.050THK,SST
9	2	05050008	CLAMP,CUSHION,3/4",SST
10	2	63153	VALVE,CHECK,1/2FNPT,1200PSI,BRS
11	2	67013-4B	NIPPLE,1/2NPTxCLOSE,SC40,BRS
12	2	67491-4S	ELBOW,STREET,1/2NPT,90DEG,SST
13	2	67653-S	PLUG,1/2NPT,HEX-HD,SST
14	2	70108-SCS	SCREW,1/4-20x.75,PPHMS,SST
15	4	70113-SCS	SCREW,1/4-20x1.75,PPHMS,SST
16	4	70180-HCS	SCREW,3/8-16x1.00,HHCS,SST
17	6	71011-NCS	NUT,1/4-20,HEX,LOCK,SST
18	2	71511-FS	WASHER,1/4,FLAT,SST

FRONT BRIDGE OVERGLOW LED LIGHTS-11250219



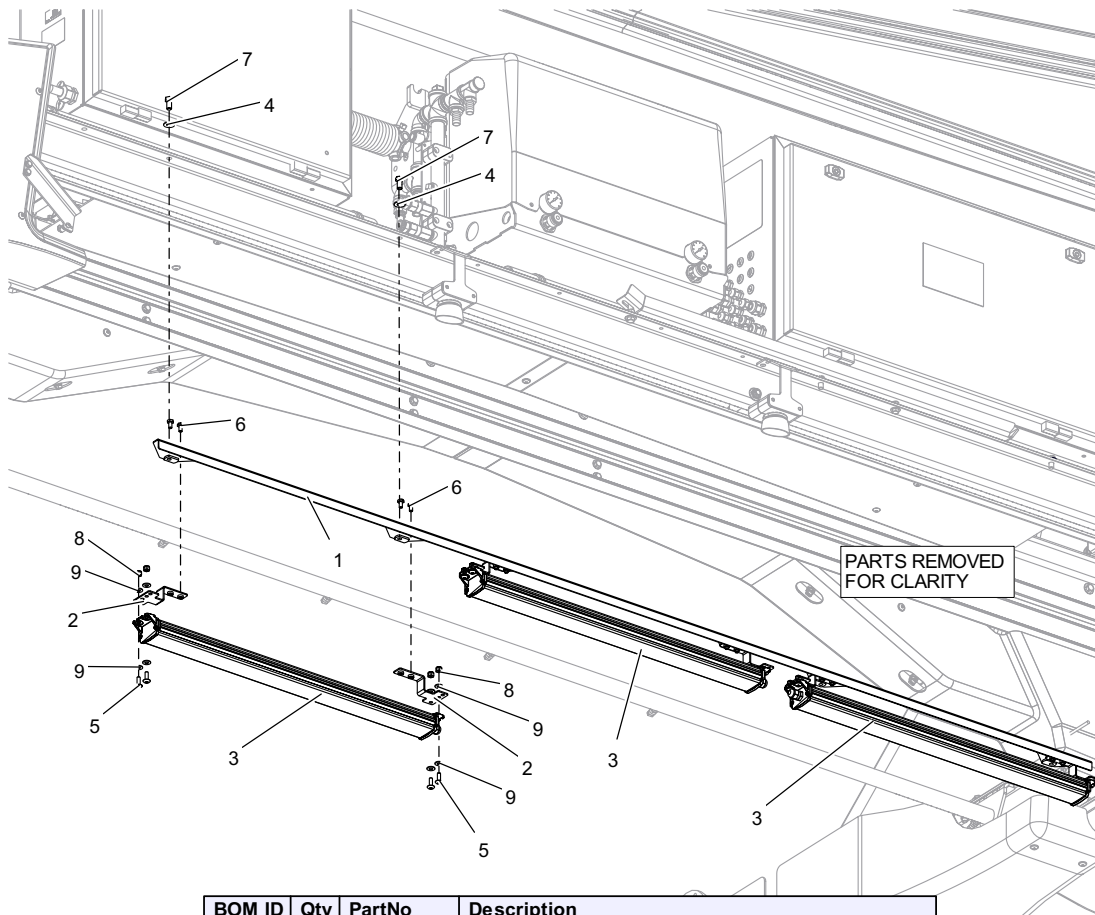
BOM ID	Qty	PartNo	Description
1	12	05040133	SCREW, 1/4-20x.75, PTHMS, SST
2	6	06141313	BRACKET, LED-LIGHT, OVERGLOW, SYMM, LW360P
3	3	11310115	LIGHT, LED, 2-BOARD, OVERGLOW
4	12	70106-HCS	SCREW, 1/4-20x.50, HHCS, SST
5	12	71011-NCS	NUT, 1/4-20, HEX, LOCK, SST
6	24	71511-FS	WASHER, 1/4, FLAT, SST

FRONT BRIDGE OVERFLOW APPLICATION MANIFOLD-11250219



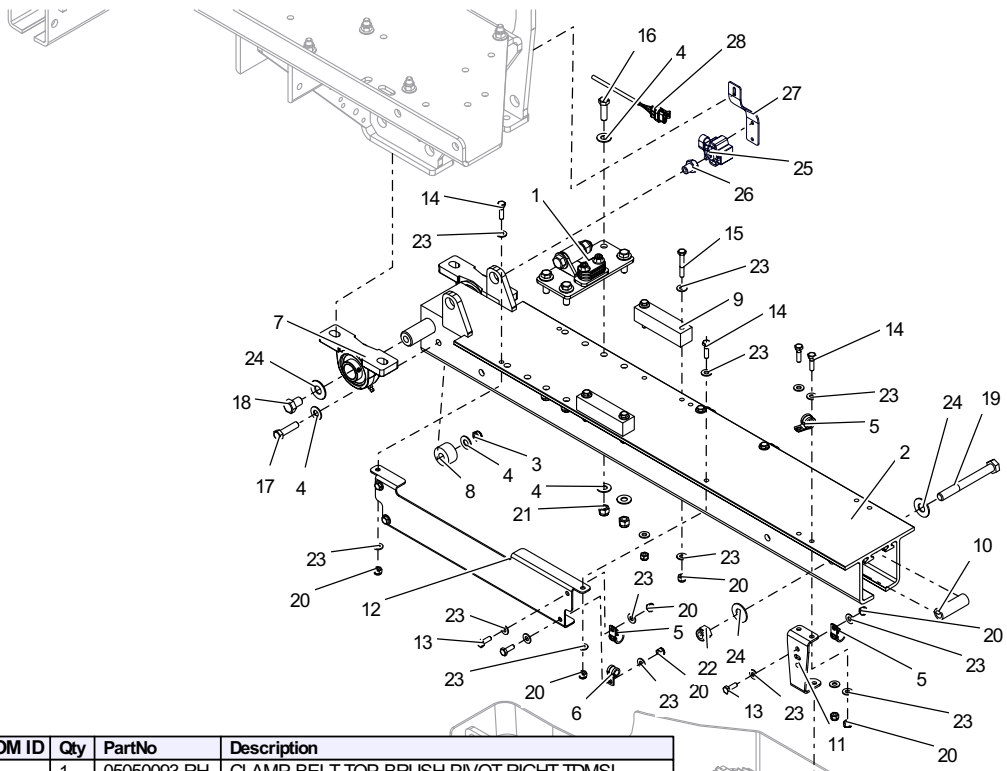
BOM ID	Qty	PartNo	Description
1	1	03220290	MANIFOLD,OVERFLOW,PVC,LASERWASH
2	1	06141310	BRACKET,DEFLECTOR,OVERFLOW,SST,LW360P
3	4	75016	CLAMP,TUBE,1",PP,STANDARD
4	1	75025	CLAMP,PIPE,1.00,PP,STANDARD
5	1	67493-4S	ELBOW,STREET,3/4NPT,90DEG,SC40,SST
6	1	68123-MHN	HOSE-BARB,3/4HX3/4MNPT,NYL
8	6	70116-SCS	SCREW,1/4-20x2.50,PPHMS,SST
9	8	71011-NCS	NUT,1/4-20,HEX,LOCK,SST
10	4	71511-FS	WASHER,1/4,FLAT,SST
11	4	05030067	WASHER,3/8,FLAT,7/8-OD,.050THK,SST
12	4	70178-HCS	SCREW,3/8-16x.75,HHCS,SST

BACK BRIDGE LED LIGHTS-09020260

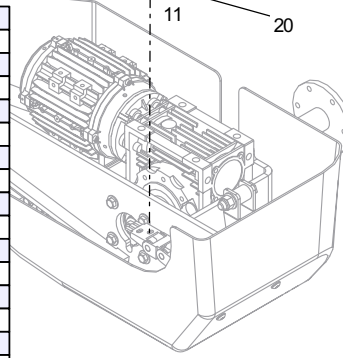


BOM ID	Qty	PartNo	Description
1	1	06141307	BRACKET,LED-BAR,VEHICLE-PROJECT,LW360P
2	6	06141313	BRACKET,LED-LIGHT,OVERGLOW,SYMM,LW360P
3	3	11310115	LIGHT,LED,2-BOARD,OVERGLOW
4	4	05030067	WASHER,3/8,FLAT,7/8-OD,.050THK,SST
5	12	05040133	SCREW,1/4-20x.75,PTHMS,SST
6	12	70106-HCS	SCREW,1/4-20x.50,HHCS,SST
7	4	70178-HCS	SCREW,3/8-16x.75,HHCS,SST
8	12	71011-NCS	NUT,1/4-20,HEX,LOCK,SST
9	24	71511-FS	WASHER,1/4,FLAT,SST

BACK BRIDGE TOP BRUSH PIVOT RIGHT HAND-11080121

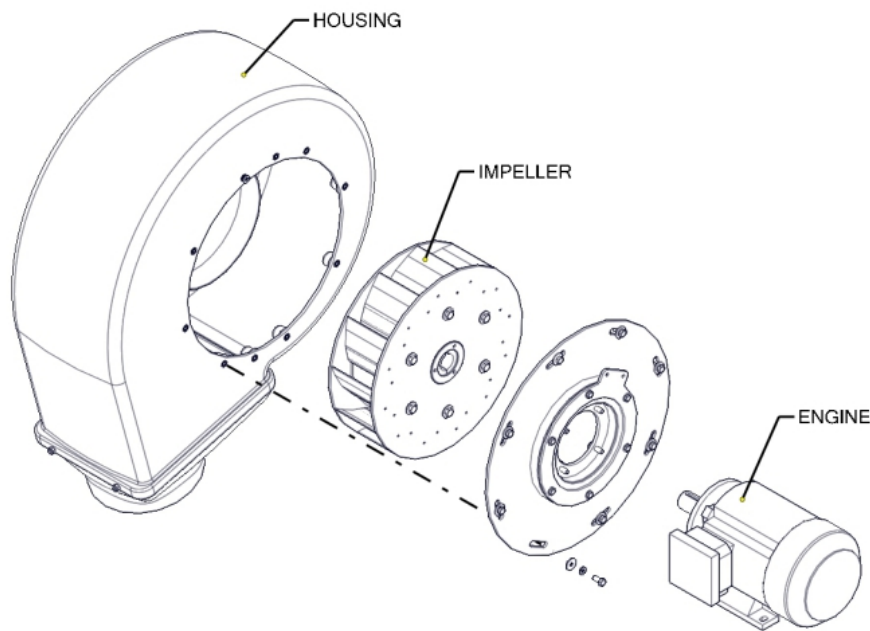


BOM ID	Qty	PartNo	Description
1	1	05050093-RH	CLAMP, BELT, TOP-BRUSH, PIVOT, RIGHT, TDMSL
2	1	06230168	RAIL, SLIDE, TOP-BRUSH, PIVOT, BB, TDMSL
3	2	05020054	NUT, 3/8-16, HEX, LOCK, JAM, SST
4	12	05030067	WASHER, 3/8, FLAT, 7/8-OD, .050THK, SST
5	6	05050023	CLAMP, CUSHION, 5/8", SST
6	2	05050049	CLAMP, CUSHION, 3/8", SST
7	2	06010076	BEARING, PILLOW, 1.000" BORE, SST, ABT
8	2	06060017	BUMPER, COMPRESSION, 1.25 DIA x .75", BLK, BUNA
9	2	06060032	BUMPER, END-STOP, TOP-BRUSH, PIVOT, TDMSL
10	1	06060033	BUMPER, END-STOP, POLYURETHANE, 1/2" ID, TDMSL
11	1	06141482	BRACKET, ECHAIN, TOP-BRUSH, FIXED, SST, TDMSL
12	1	06141578	BRACKET, UTILITY-GUIDE, T-BRUSH, PIVOT, TDMSL
13	5	70108-HCS	SCREW, 1/4-20x.75, HHCS, SST
14	6	70110-HCS	SCREW, 1/4-20x1.00, HHCS, SST
15	4	70113-HCS	SCREW, 1/4-20x1.75, HHCS, SST
16	4	70181-HCS	SCREW, 3/8-16x1.25, HHCS, SST
17	2	70182-HCS	SCREW, 3/8-16x1.50, HHCS, SST
18	2	70253-HCS	SCREW, 1/2-13x.75, HHCS, SST
19	1	70269-HCS	SCREW, 1/2-13x4.50, HHCS, SST
20	15	71011-NCS	NUT, 1/4-20, HEX, LOCK, SST
21	4	71013-NCS	NUT, 3/8-16, HEX, LOCK, SST
22	1	71015-NCS	NUT, 1/2-13, HEX, LOCK, SST
23	30	71511-FS	WASHER, 1/4, FLAT, SST
24	4	71515-FSS	WASHER, 1/2, FLAT, SST
25	1	04420050	SENSOR, ROTARY-POSITION, HALL-EFFECT, ICON
26	1	05040295	SCREW, 1/2-13X.50, SST, SENSOR, ELEVATOR, ICON
27	1	06141520	BRACKET, SENSOR, ANGULAR-POS, TDMSL
28	1	04080636	HARNES, SENSOR, ROT-POSITION, PIVOT, TDMSL

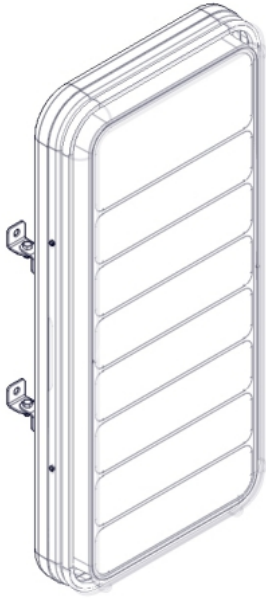


FRONT BRIDGE OCILLATING DRYER INNER PRODUCER-11100215

P/N	DESCRIPTION	CONFIG	MODEL	MTR-IMP P/N	HOUSING P/N
11100214	DRYER, 7.5HP, 208-230V, 60HZ, CW, OSC, DK-BL	CW	LW / TANDEM	11100225	06050062
11100215	DRYER, 7.5HP, 208-230V, 60HZ, CCW, OSC, DK-BL	CCW	LW / TANDEM	11100224	06050062
11100216	DRYER, 7.5HP, 380V, 50HZ, CW, OSC, DK-BL	CW	LW / TANDEM	11100228	06050062
11100217	DRYER, 7.5HP, 380V, 50HZ, CCW, OSC, DK-BL	CCW	LW / TANDEM	11100229	06050062
11100218	DRYER, 7.5HP, 380/460V, 60HZ, CW, OSC, DK-BL	CW	LW / TANDEM	11100269	06050062
11100219	DRYER, 7.5HP, 380/460V, 60HZ, CCW, OSC, DK-BL	CCW	LW / TANDEM	11100270	06050062
11100220	DRYER, 7.5HP, 575V, 60HZ, CW, OSC, DK-BL	CW	LW / TANDEM	11100226	06050062
11100221	DRYER, 7.5HP, 575V, 60HZ, CCW, OSC, DK-BL	CCW	LW / TANDEM	11100227	06050062
11100222	DRYER, 7.5HP, 220V, 50HZ, CW, OSC, DK-BL	CW	LW / TANDEM	11100228	06050062
11100223	DRYER, 7.5HP, 220V, 50HZ, CCW, OSC, DK-BL	CCW	LW / TANDEM	11100229	06050062



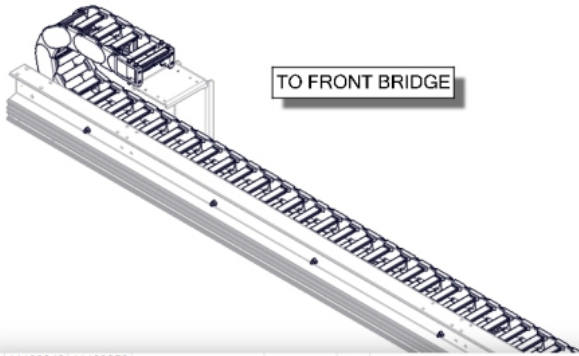
CONFIRMATION SIGNAGE DECALS-09020116



SIGN FACE	DESCRIPTION	DECAL
06420318	SIGN-FACE,ENTR,SERV-CONF,DMX,TDMSL	02030827
06420345	SIGN-FACE,CONF,DMX,TDMSL,TIDAL-WAVE	02030900
06420346	SIGN-FACE,CONF,DMX,TDMSL,3X,OVERGLOW	02030908
06420348	SIGN-FACE,CONF,DMX,TDMSL,NO-HP,OG	02030917
06420354	SIGN-FACE,CONF,DMX,TDMSL,SHEETZ	02030959
06420359	SIGN-FACE,CONF,DMX,TDMSL,PROCLEAN	02030970
06420371	SIGN-FACE,CONF,DMX,TDMSL,ADVENTURE	02031004
06420377	SIGN-FACE,CONF,DMX,TDMSL,EPPING	02031021

FRONT BRIDGE ECHAIN CONTENTS

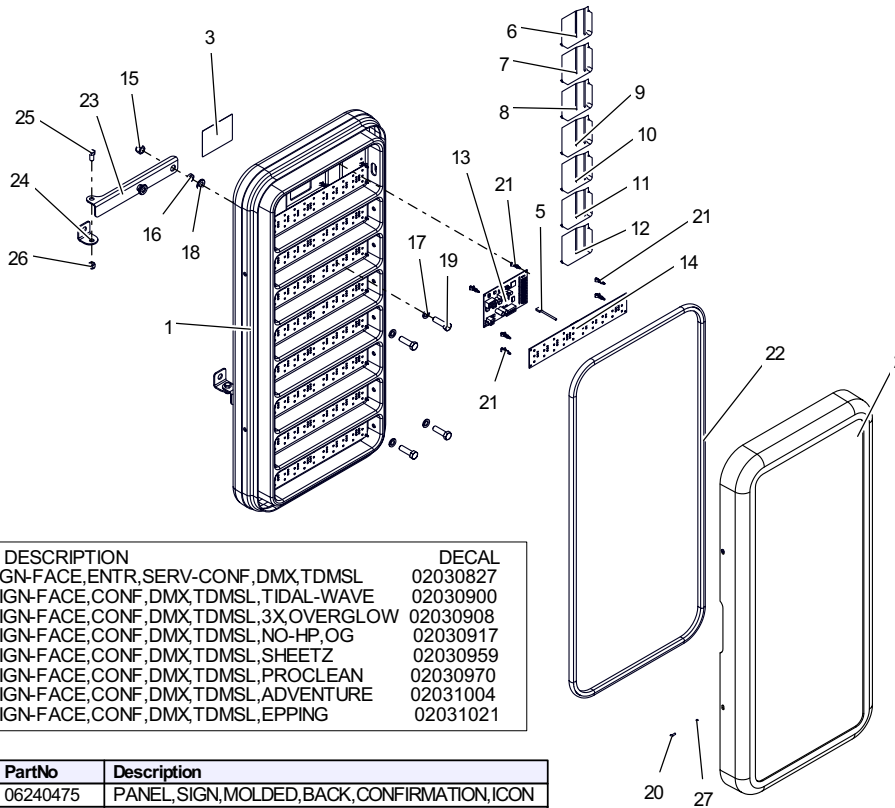
FRONT BRIDGE ECHAIN CONTENTS-11190048 11190050



ITEM	11190048 QTY.	11190050 QTY.	LABEL TEXT	PART #	REV	DESCRIPTION	CUT LENGTH +/- 1/2"	USED WITH OPTION
1	1	-	37W38 DRYER #1	01140024	0	CABLE,8-4,PVC,301/32-STRD,COP,3BLK,1GRN	41' - 4"	2 AND 3 PRODUCER OPTIONS
2	1	-	37W40 DRYER #2	01140024	0	CABLE,8-4,PVC,301/32-STRD,COP,3BLK,1GRN	41' - 4"	4 PRODUCER OPTIONS
3	1	-	37W34 BRIDGE PWR	01140024	1	CABLE,8-4,PVC,DIA.69,COP,3BLK,1GRN	41' - 4"	BASE MACHINE
4	-	1	37W34 BRIDGE PWR	01140032	0	CABLE,8-5,PVC,72/26-STRD,COP,4BLK,1GRN	41' - 4"	BASE MACHINE
5	-	1	37W38 DRYER #1	01140030	1	CABLE,12-4,PVC,512/38-STRD,COP,3BLK,1GRN	41' - 4"	2 AND 4 PRODUCER OPTIONS
6	-	1	37W40 DRYER #2	01140030	1	CABLE,12-4,PVC,512/38-STRD,COP,3BLK,1GRN	41' - 4"	4 PRODUCER OPTIONS
7	1	1	36W37 SYS STOP	01140040	0	CABLE,14-5,PVC,600V,45-DIA,4-BLK,1-GRN	41' - 4"	BASE MACHINE
8	1	1	36W33 ETHERNET	04080651	0	CABLE,ETHERNET,HIGH-FLEX,RJ45-ENDS		BASE MACHINE
9	2	2		75101	0	CLAMP,HOSE,#6,38-50H,SST		09170175
10	1	1		06160520	0	COVER,CABLE,SPIRAL,2'LONG,ECHAIN,LW360P		BASE MACHINE
11	1	1		06050135	0	E-CHAIN,BRIDGE,46-LINK,IGUS,E4 56,TDMSL		BASE MACHINE
12	1	1	RINSE PROD MANIF	01130030	0	HOSE,625,300PSI,BLUE,PVC-CMPD,SYN-YRN	27' - 10"	09170175
13	1	1		11190048B	0	LABEL,SET,E-CHAIN,END IDENTIFICATION,TDMSL		BASE MACHINE
14	1	1		11190048A	0	LABEL,SET,E-CHAIN,LINE IDENTIFICATION,TDMSL		BASE MACHINE
15	1	1	FRONT PREP	01120019	0	TUBING,1/2"ODx.06W,150PSI@70°F,LLDPE,BLK	27' - 10"	09170174
16	1	1	COMP AIR	01120016	0	TUBING,3/8ODx1/16"WALL,230PSI@70°F,LLDPE,BLACK	27' - 10"	11030151
17	1	1	3X COLOR #1	01120016	0	TUBING,3/8ODx1/16"WALL,230PSI@70°F,LLDPE,BLACK	27' - 10"	09170177
18	1	1	3X COLOR #2	01120016	0	TUBING,3/8ODx1/16"WALL,230psi@70°F,LLDPE,BLACK	27' - 10"	09170177
19	1	1	3X COLOR #3	01120016	0	TUBING,3/8ODx1/16"WALL,230psi@70°F,LLDPE,BLACK	27' - 10"	09170177
20	1	1	BRUSH LUBE	01120012	1	TUBING,5/8ODx.06W,70PSI@70°F,LLDPE,BLACK	27' - 10"	BASE MACHINE
21	1	1	OVERGLOW-CHEM	01120012	1	TUBING,5/8ODx.06W,100psi@70°F,LLDPE,BLACK	27' - 10"	09170179
22	1	1	OVERGLOW-PURGE	01120012	1	TUBING,5/8ODx.06W,100psi@70°F,LLDPE,BLACK	27' - 10"	09170179

BACK BRIDGE ECHAIN CONTENTS

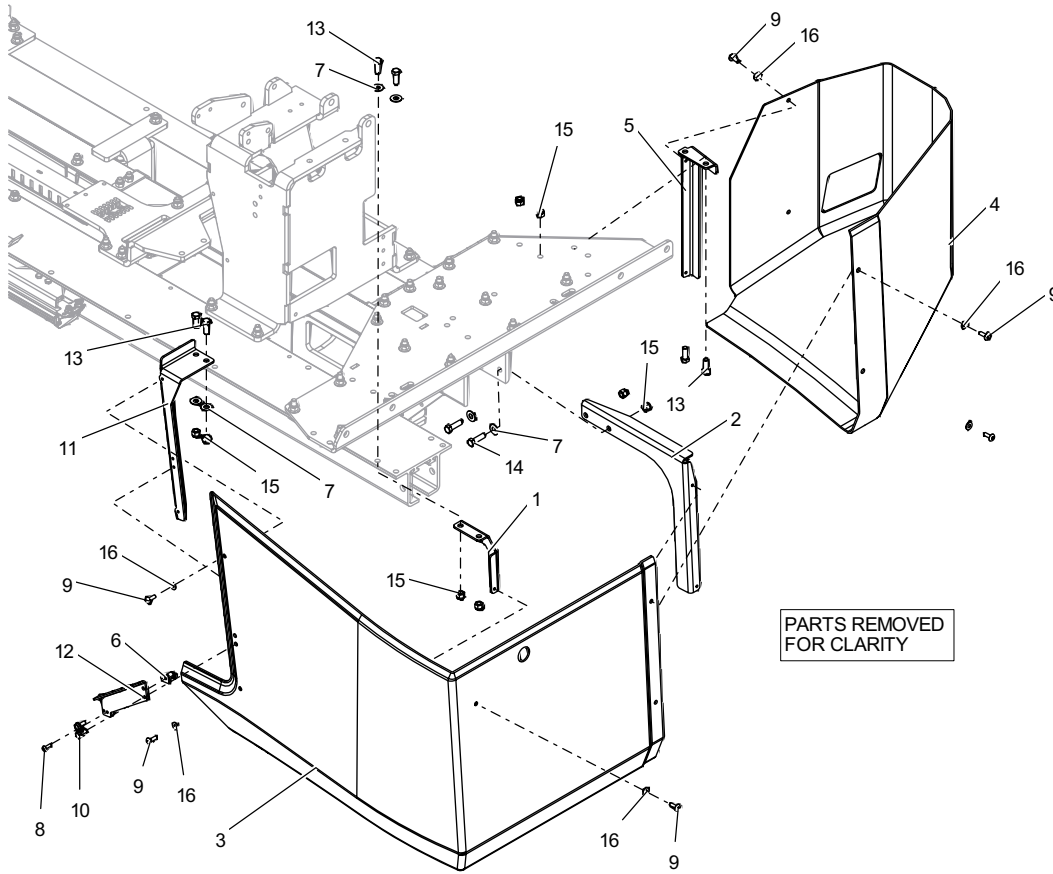
SERVICE CONFIRMATION SIGN-09020256



SIGN FACE	DESCRIPTION	DECAL
06420318	SGN-FACE,ENTR,SERV-CONF,DMX,TDMSL	02030827
06420345	SIGN-FACE,CONF,DMX,TDMSL,TIDAL-WAVE	02030900
06420346	SIGN-FACE,CONF,DMX,TDMSL,3X,OVERGLOW	02030908
06420348	SIGN-FACE,CONF,DMX,TDMSL,NO-HP,OG	02030917
06420354	SIGN-FACE,CONF,DMX,TDMSL,SHEETZ	02030959
06420359	SIGN-FACE,CONF,DMX,TDMSL,PROCLEAN	02030970
06420371	SIGN-FACE,CONF,DMX,TDMSL,ADVENTURE	02031004
06420377	SIGN-FACE,CONF,DMX,TDMSL,EPPING	02031021

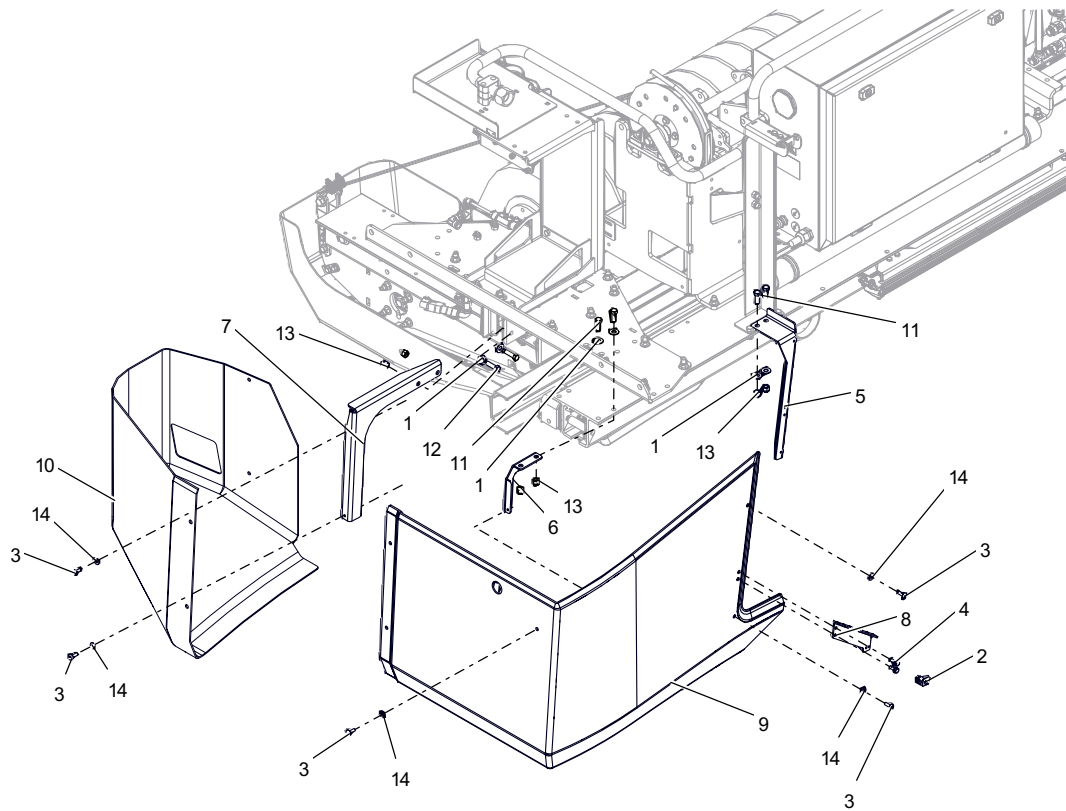
BOM ID	Qty	PartNo	Description
1	1	06240475	PANEL, SIGN, MOLDED, BACK, CONFIRMATION, ICON
2	1	06420317	SIGN-FACE, ENTR, SERV-CONF, DMX CONFIG
3	1	02030501	DECAL, DRILL, TEMPLATE, CONFIRM, SIGN, ICON
5	1	04080400	HARNESS, LED, CONFIRMATION, SIGN
6	1	04080410	HARNESS, LED, CONFIRMATION, SIGN, PRO-SOAK
7	1	04080411	HARNESS, LED, CONFIRMATION, SIGN, WASHING
8	1	04080412	HARNESS, LED, CONFIRMATION, SIGN, WHL-CLEAN
9	1	04080413	HARNESS, LED, CONFIRMATION, SIGN, HIGH-PRES
10	1	04080414	HARNESS, LED, CONFIR, SIGN, SURFACE, PROTECT
11	1	04080415	HARNESS, LED, CONFIRMATION, SIGN, SPOT-FREE
12	1	04080416	HARNESS, LED, CONFIRMATION, SIGN, DRYING
13	1	04580048	CIRCUIT-BOARD, CONTROLLER, LED, DMX
14	9	04580049	CIRCUIT-BOARD, LED, SMD, 3-COLOR
15	4	05020008	NUT, M12, HEX, LOCK, SST
16	4	05020042	NUT, M12, HEX, JAM, SST
17	4	05030015	WASHER, M12, LOCK, SPLIT, SST
18	4	05030049	WASHER, 1/2x1.00x.11, SEALING, SST, NEOPR
19	4	05040031	SCREW, M12x40mm, HHCS, SST
20	4	05040194	SCREW, #6-32x.50, STHMS, SST
21	40	05130025	STAND-OFF, SNAP-IN, PCB-MT, INBAY/CONFIRM
22	1	06070029	GASKET, HOUSING, IN-BAY-SIGNS, NPRN
23	2	06140439	BRACKET, SIGN, INBAY/CONFIRM, NON-ADJ, SIGN
24	2	06140449	BRACKET, SIGN, INBAY/CONFIRM, NON-ADJ, WALL
25	2	70178-HCS	SCREW, 3/8-16x.75, HHCS, SST
26	2	71013-NCS	NUT, 3/8-16, HEX, LOCK, SST
27	4	71506-FS	WASHER, #6, FLAT, SST

BACK BRIDGE RH SIDE COVERS PPC



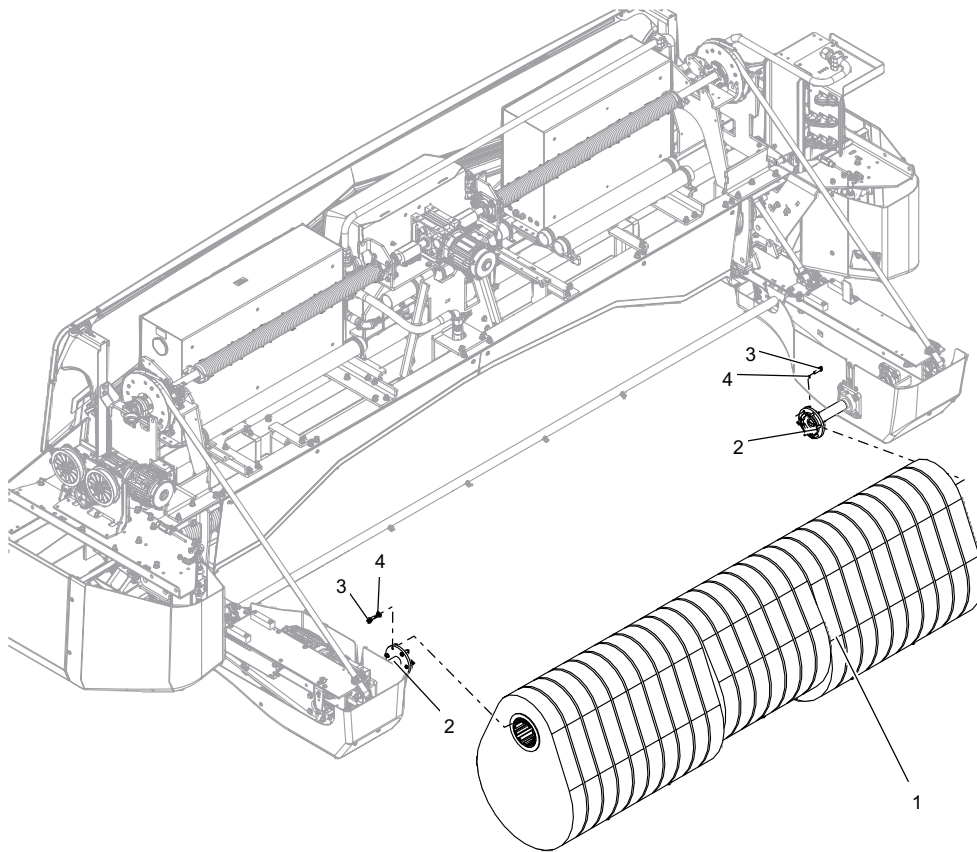
BOM ID	Qty	PartNo	Description
1	1	06141551-RH	BRACKET,CRNR-COVER,OUT,TDMSL,RH
2	1	06141555-RH	BRACKET,CRNR-CVRS,BB,SHARED,TDMSL,RH
3	1	06160534	COVER,BRIDGE,CRNR,ENTR-RH,TDMSL
4	1	06160541-RH	COVER,BB,EXIT-CRNR,TDMSL,RH
5	1	06141556-RH	BRACKET,CRNR-COVER,BB,EXIT,TDMSL,RH
6	1	02050007	LATCH,DRAW,FLEXIBLE,PLSTC
7	6	05030067	WASHER,3/8,FLAT,7/8-OD,.050THK,SST
8	1	05040068	SCREW,M5x16mm,PPHMS,SST
9	6	05040133	SCREW,1/4-20x.75,PTHMS,SST
10	2	05040402	SCREW,1/4-20X.62,HHFS,SERRATED,SST
11	1	06141550-RH	BRACKET,CRNR-COVER,ENTR,IN,RH,TDMSL
12	1	06141594-RH	BRACKET,CATCH,CTR-CVR,RH,TDMSL
13	6	70180-HCS	SCREW,3/8-16x1.00,HHCS,SST
14	2	70181-HCS	SCREW,3/8-16x1.25,HHCS,SST
15	8	71013-NCS	NUT,3/8-16,HEX,LOCK,SST
16	6	71511-FS	WASHER,1/4,FLAT,SST

BACK BRIDGE LH SIDE COVERS PPC



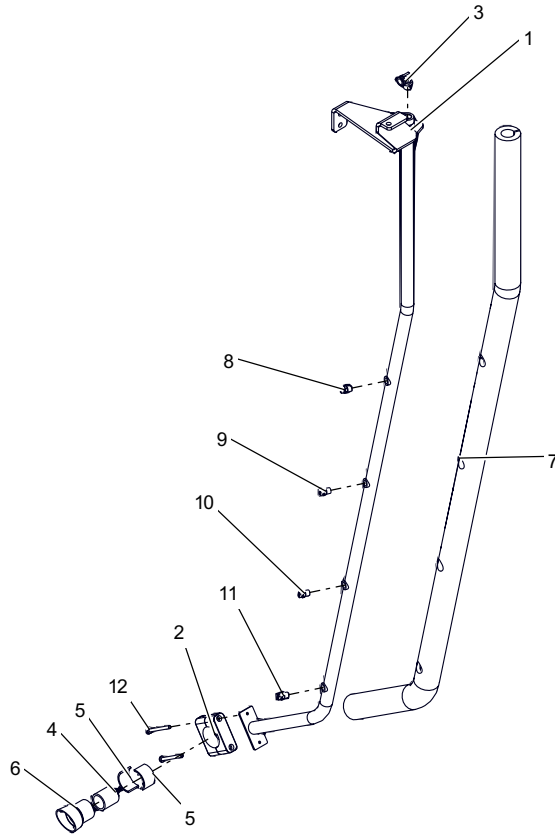
BOM ID	Qty	PartNo	Description
1	6	05030067	WASHER,3/8,FLAT,7/8-OD,.050THK,SST
2	1	05040068	SCREW,M5x16mm,PPHMS,SST
3	5	05040133	SCREW,1/4-20x.75,PTHMS,SST
4	2	05040402	SCREW,1/4-20X.62,HHFS,SERRATED,SST
5	1	06141550-LH	BRACKET,CRNR-COVER,ENTR,IN,LH,TDMSL
6	1	06141551-LH	BRACKET,CRNR-COVER,OUT,TDMSL,LH
7	1	06141555-LH	BRACKET,CRNR-CVRS,BB,SHARED,TDMSL,LH
8	1	06141594-LH	BRACKET,CATCH,CTR-CVR,LH,TDMSL
9	1	06160533	COVER,BRIDGE,CRNR,ENTR-LH,TDMSL
10	1	06160541-LH	COVER,BB,EXT-CRNR,TDMSL,LH
11	4	70180-HCS	SCREW,3/8-16x1.00,HHCS,SST
12	2	70181-HCS	SCREW,3/8-16x1.25,HHCS,SST
13	6	71013-NCS	NUT,3/8-16,HEX,LOCK,SST
14	5	71511-FS	WASHER,1/4,FLAT,SST

BACK BRIDGE TOP BRUSH-06500072



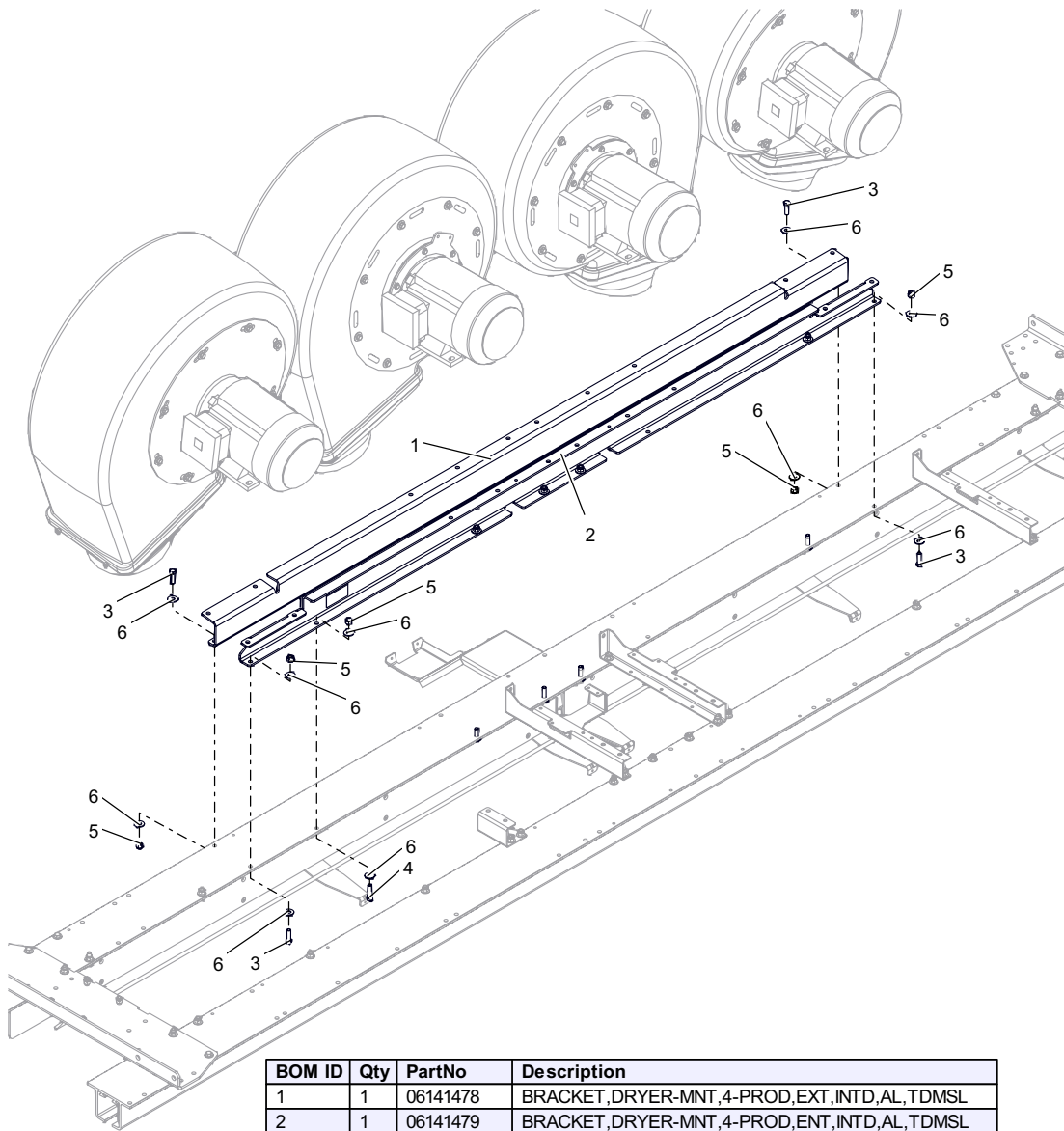
BOM ID	Qty	PartNo	Description
1	1	06500072	BRUSH, TOP, BLUE, FOAM, ICON
2	2	06150221	SHAFT, DRIVE, TOP-BRUSH, WELD, SST, TDMSL
3	12	05040231	SCREW, 5/16-18x1.25, HSBHSC, SST
4	12	71512-LS	WASHER, 5/16, LOCK, SST

BACK BRIDGE FIXED SIDE ARCH-11250362



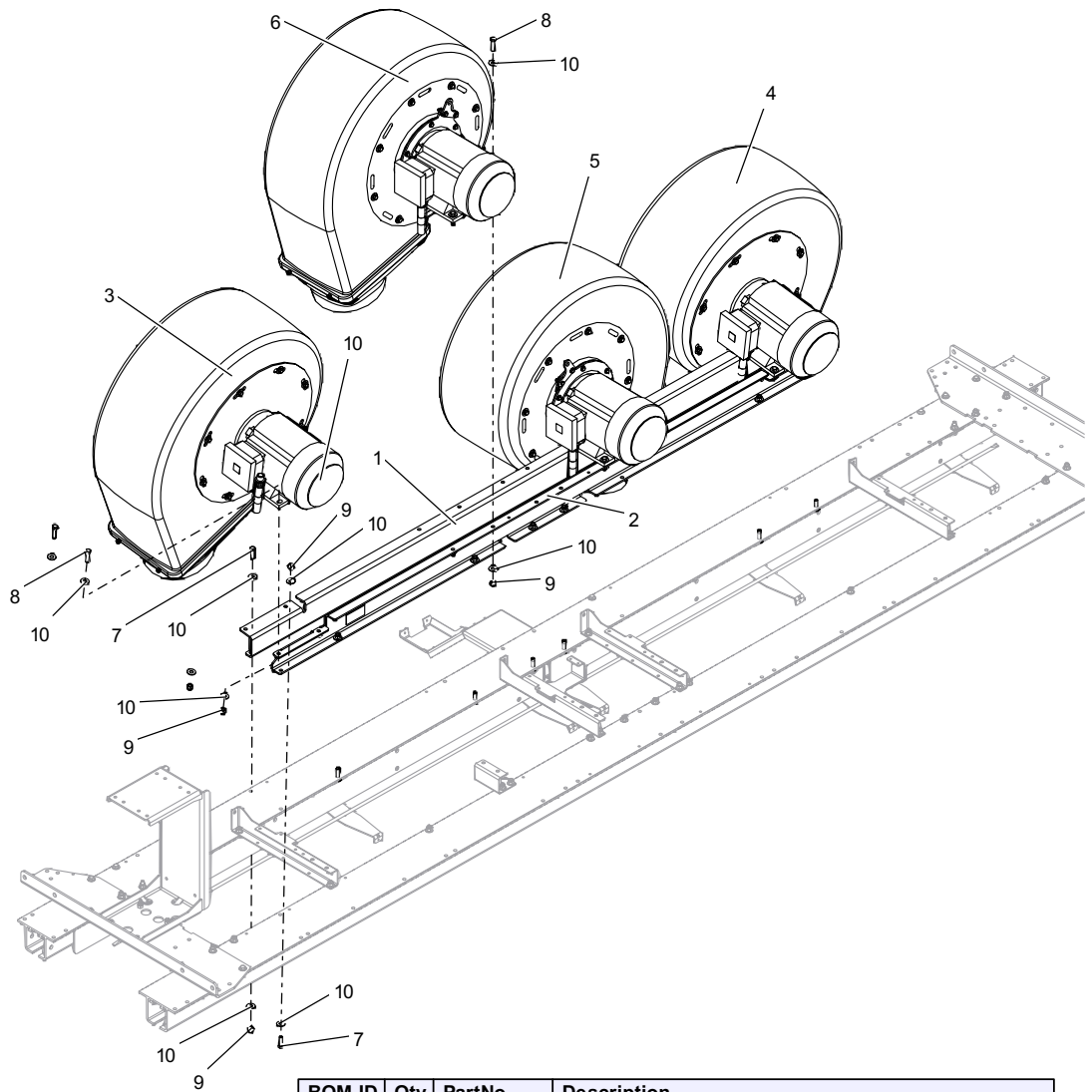
BOM ID	Qty	PartNo	Description
1	1	03220387-RH	MANIFOLD,WLD,FIXED-SIDE-ARCH,RH,TDMSL
2	1	05050067	CLAMP,PIPE,1-1/2,PP,STANDARD
3	1	03320078	TUBE-FTG,ELBOW,SWVL,1/2TX3/8NPT,PUSH,SST
4	1	04420026	SENSOR,ULTRASONIC,75kHz,15'CBL,1.5"DIA
5	2	06060027	CUSHION,1/8THK,ULTRASONIC-MOUNT,SILICONE
6	1	06160293	COVER,SENSOR-SHIELD,2X2.75",GRAY,VINYL
7	1	06160567	COVER,FIXED-SIDE-ARCH,FOAM,TDMSL
8	1	64080-4M	NOZZLE,FAN,1503,1/4"NPT,SST
9	1	64116-4M	NOZZLE,FAN,2503,1/4"NPT,SST
10	1	64118-4M	NOZZLE,FAN,2504,1/4"NPT,SST
11	1	64230-4M	NOZZLE,FAN,6506,1/4"NPT,SST
12	2	70117-SCS	SCREW,1/4-20x2.75,SRHMS,SST

FRONT BRIDGE DRYERS MOUNTING BRACKET-09040217



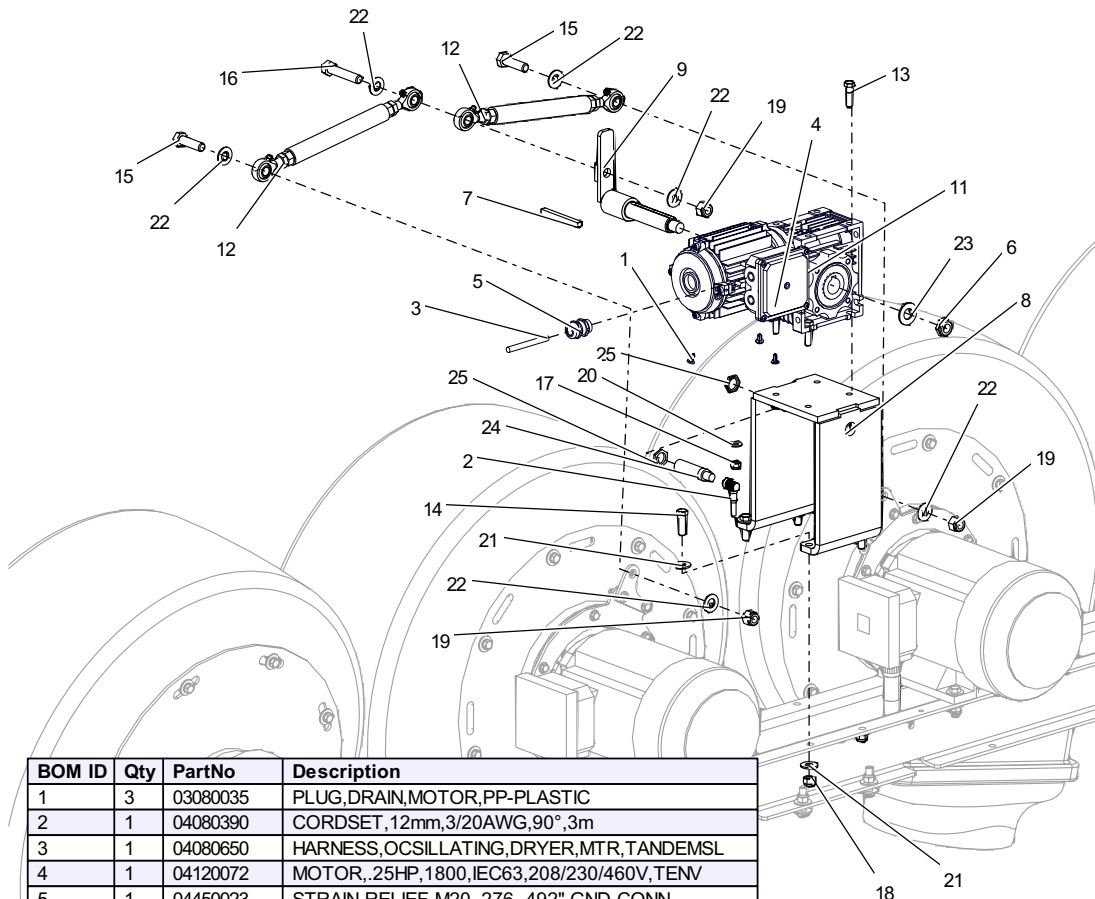
BOM ID	Qty	PartNo	Description
1	1	06141478	BRACKET, DRYER-MNT, 4-PROD, EXT, INTD, AL, TDMSL
2	1	06141479	BRACKET, DRYER-MNT, 4-PROD, ENT, INTD, AL, TDMSL
3	9	70181-HCS	SCREW, 3/8-16x1.25, HHCS, SST
4	4	70182-HCS	SCREW, 3/8-16x1.50, HHCS, SST
5	13	71013-NCS	NUT, 3/8-16, HEX, LOCK, SST
6	26	71513-FS	WASHER, 3/8, FLAT, 1-OD, .083THK, SST

FRONT BRIDGE DRYERS MOTORS BRACKET-09040217



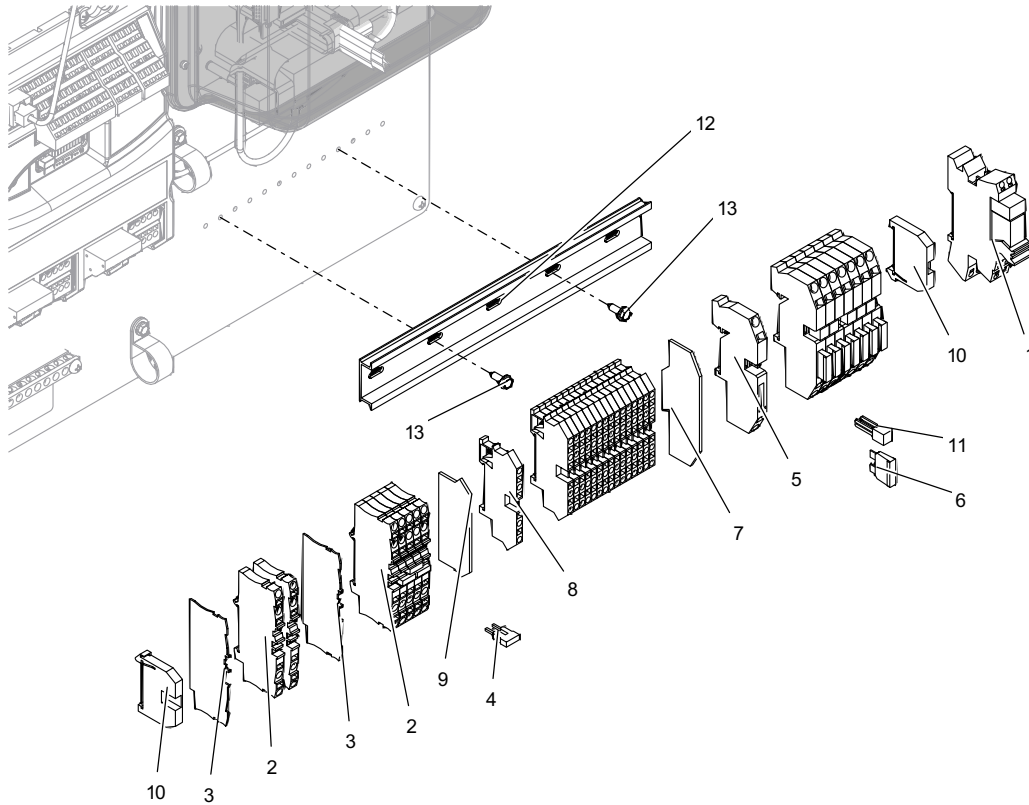
BOM ID	Qty	PartNo	Description
1	1	06141478	BRACKET, DRYER-MNT, 4-PROD, EXT, INTD, AL, TDMSL
2	1	06141479	BRACKET, DRYER-MNT, 4-PROD, ENT, INTD, AL, TDMSL
3	1	11100204	DRYER, 7.5HP, 208-230V, 60HZ, CCW, ANG, DK-BL
4	1	11100205	DRYER, 7.5HP, 208-230V, 60HZ, CW, ANG, DK-BL
5	1	11100214	DRYER, 7.5HP, 208-230V, 60HZ, CW, OSC, DK-BL
6	1	11100215	DRYER, 7.5HP, 208-230V, 60HZ, CCW, OSC, DK-BL
7	9	70181-HCS	SCREW, 3/8-16x1.25, HHCS, SST
8	20	70182-HCS	SCREW, 3/8-16x1.50, HHCS, SST
9	28	71013-NCS	NUT, 3/8-16, HEX, LOCK, SST
10	57	71513-FS	WASHER, 3/8, FLAT, 1-OD, .083THK, SST

FRONT BRIDGE DRYER OSILLATOR-11170026



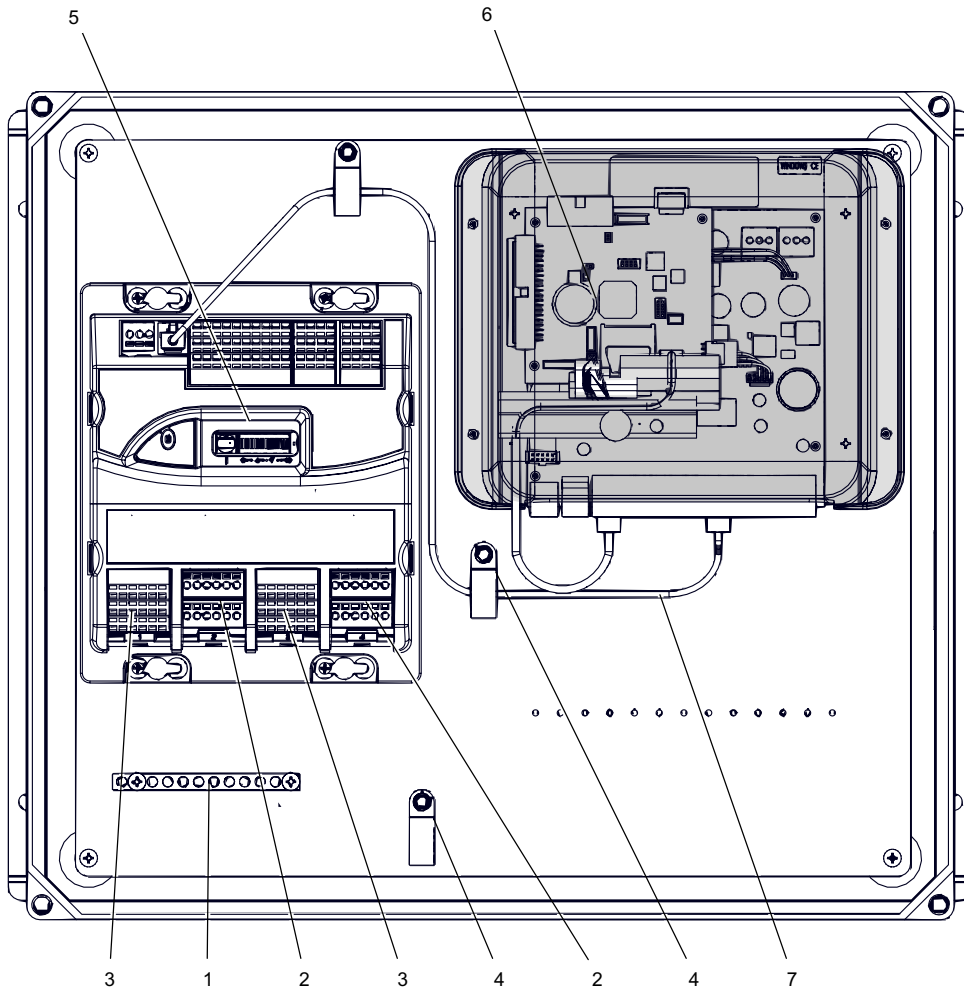
BOM ID	Qty	PartNo	Description
1	3	03080035	PLUG,DRAIN,MOTOR,PP-PLASTIC
2	1	04080390	CORSET,12mm,3/20AWG,90°,3m
3	1	04080650	HARNES,OCSSILLATING,DRYER,MTR,TANDEMSL
4	1	04120072	MOTOR,.25HP,1800,IEC63,208/230/460V,TENV
5	1	04450023	STRAIN-RELIEF,M20,.276-.492",GND-CONN
6	1	05020077	NUT,5/8-11,HEX,LOCK,JAM,SST
7	1	05120048	KEY,7mmx8mmx80mm,STL
8	1	06141480	BRACKET,MOUNT,OSC-MOTOR,AL,TDMSL
9	1	06150214	SHAFT,WLD,DRIVE,DRY-OSCILL,SST,TDMSL
11	1	06280077	GEARBOX-MOTOR,OSC,DRY,SWING,TDMSL
12	2	11170121	LINKAGE,DRYER-OSCILLATION,11.5,LW/TANDEM
13	4	70146-HCS	SCREW,5/16-18x1.25,HHCS,SST
14	4	70181-HCS	SCREW,3/8-16x1.25,HHCS,SST
15	2	70258-HCS	SCREW,1/2-13x1.75,HHCS,SST
16	1	70261-HCS	SCREW,1/2-13x2.50,HHCS,SST
17	4	71012-NCS	NUT,5/16-18,HEX,LOCK,SST
18	4	71013-NCS	NUT,3/8-16,HEX,LOCK,SST
19	3	71015-NCS	NUT,1/2-13,HEX,LOCK,SST
20	4	71512-FS	WASHER,5/16,FLAT,SST
21	8	71513-FS	WASHER,3/8,FLAT,1-OD,.083THK,SST
22	6	71515-FS	WASHER,1/2,FLAT,SST,MIL-SPEC
23	1	71517-FS	WASHER,5/8,FLAT,SST
24	1	93021	PROX,18mm,SHLD,10-30VDC,NPN,LONG
25	2	93021B	NUT,LOCKING,PROX,18mm - COMES WITH PROX

BAY BOX TERMINALS 11010305



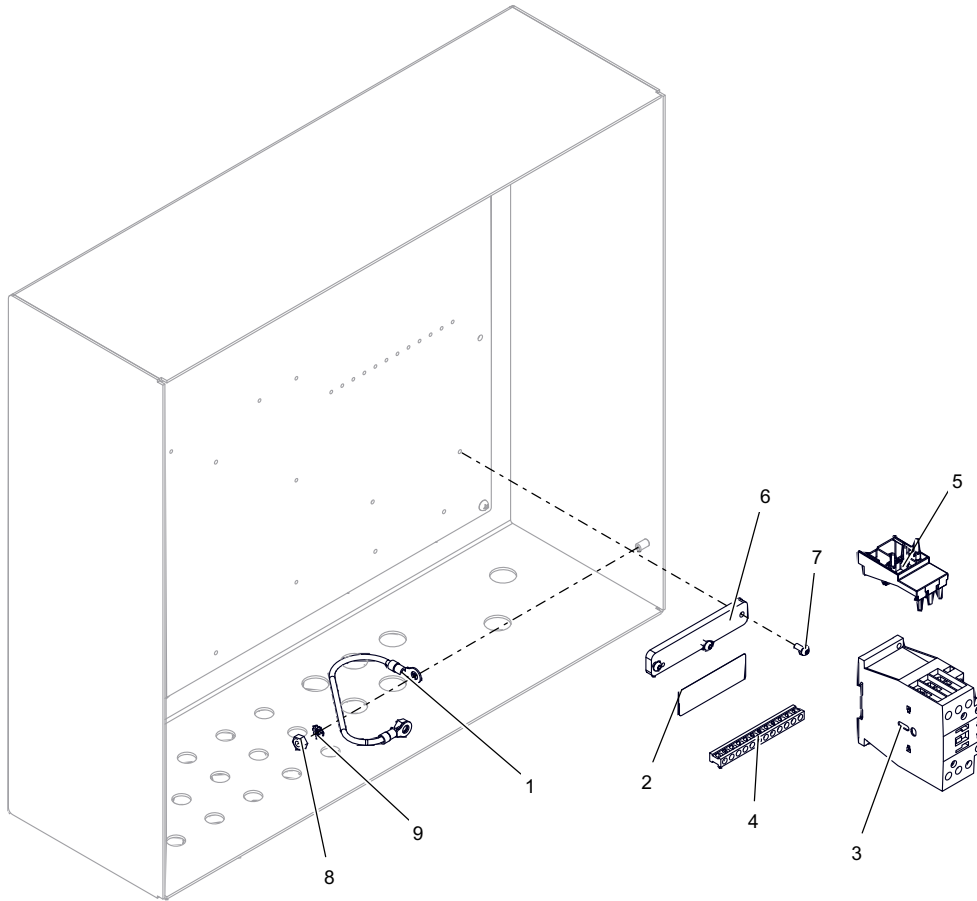
BOM ID	PartNo	Qty	Description
1	04050010	1	RELAY-SOCKET,W-DPDT-RELAY,12VDC,8A
2	04100050	7	TERMINAL-BLOCK,4P,10-20AWG,30A,GRAY,WAGO
3	04100051	2	TERMINAL-END-BARRIER,ORANGE,4P,WAGO
4	04100052	4	TERMINAL-JUMPER,ADJACENT,WAGO
5	04110031	8	FUSE-HOLDER,AUTOMOTIVE,TERM-BLK
6	04110034	8	FUSE,3A,MINI,FAST-ACTING,AUTOMOTIVE
7	04110035	1	FUSE-HOLDER,END-PLATE,2P,MINI-AUTOMOTIVE
8	36507	16	TERMINAL-BLK,26-14GA,4P,GRAY
9	36607	1	END PLATE,FRONT,4P,280-317,ORANGE
10	36650	2	END-STOP,6mm,PLST,GRAY,249-116
11	36802	6	JUMPER INSULATED 282-402
12	36950-9.50	1	DIN-RAIL,35mmx9.50",AL
13	73604-TXCZ	2	SCREW,#8x.50,HHTEK,ZP

BAY BOX NODE COMPONENTS-11010305



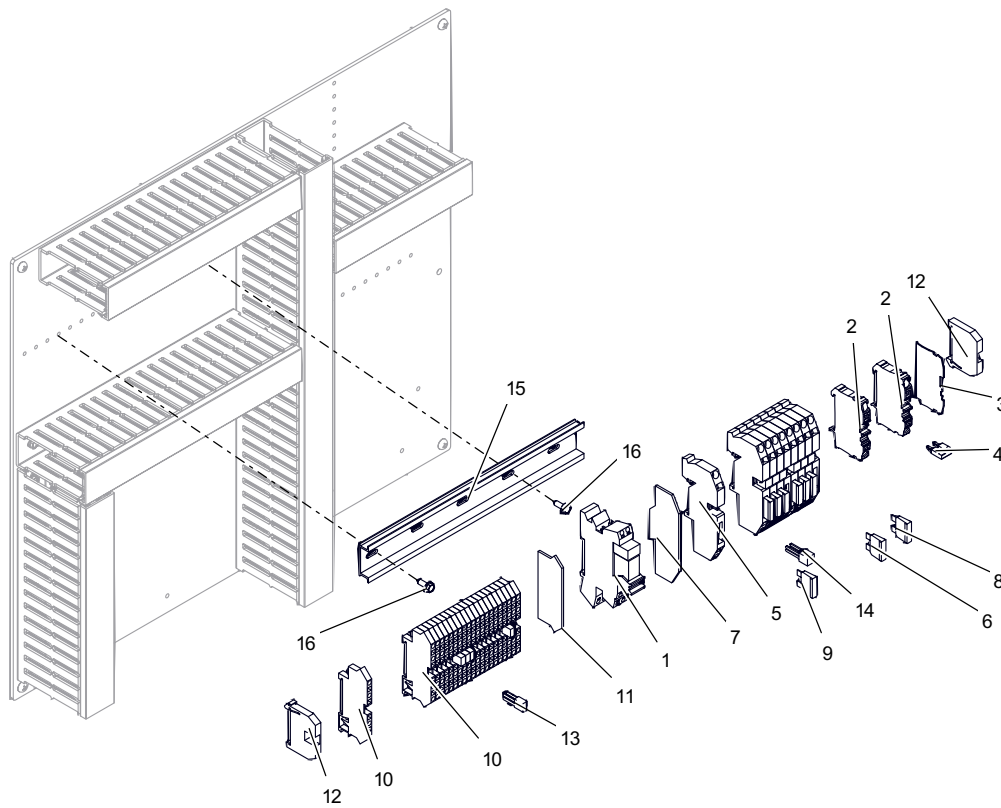
BOM ID	PartNo	Qty	Description
1	04100046	1	TERMINAL-BLOCK,GND-BAR,9P,8-14AWG,225A
2	04580019	2	CIRCUIT-BOARD,OUTPUT,5-RELAY,6A
3	04580026	2	CIRCUIT-BOARD,OUTPUT,5-RELAY,6A,MULTI-PH
4	05050015	3	CLAMP,CABLE,22.2mm,NYLON
5	11010052	1	NODE,I/O-MODULE,10IN,20OUT,4US,2SERIAL
6	11010259	1	CONTROL-BOX,CONDUCTOR-W/HUB,TITAN
7	04200031	1	CABLE,CAT5,PATCH,RJ45,8C,450mm,ORANGE

SOLUTION PUMP GROUNDING BAR CONTACTOR-11010353



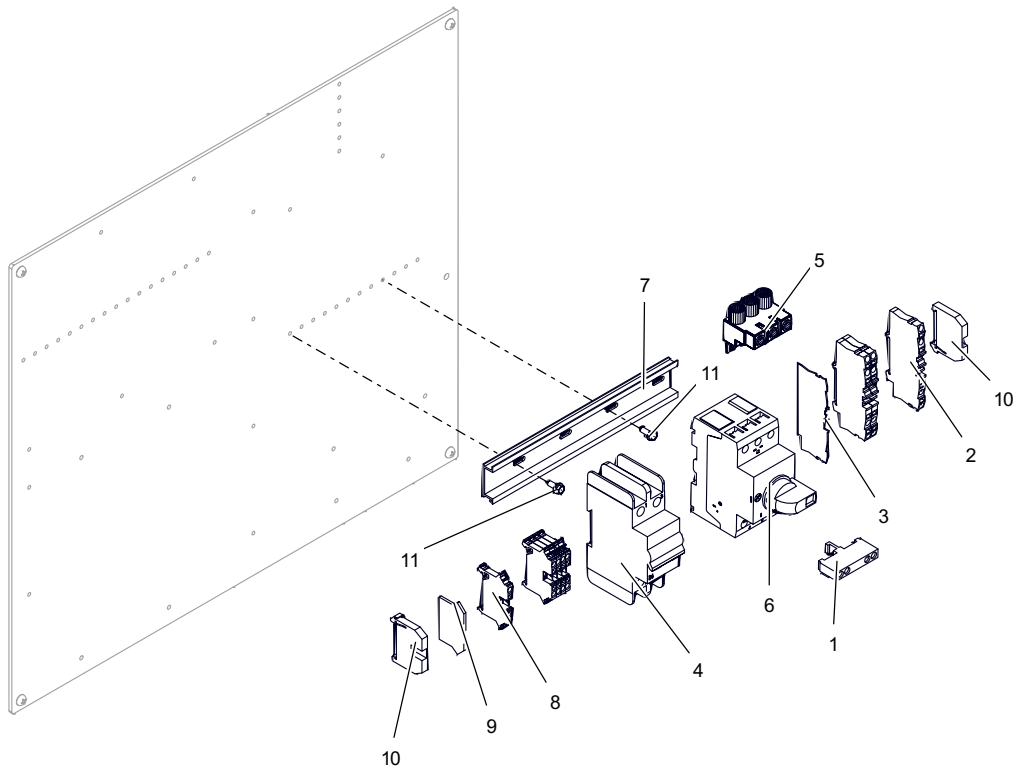
BOM ID	Qty	PartNo	Description
1	1	04080575	HARNES,GROUNDING-STRAP,10AWG-GRN/YEL
2	1	02240047	LABEL,INFO,GROUND-BAR,SOLUTION,PUMP,ICON
3	1	04020032	CONTACTOR,25A,24V-50/60HZ,AUX-NO,600V
4	1	04100046	TERMINAL-BLOCK,GND-BAR,9P,8-14AWG,225A
5	1	04110104	LINK,MODULE,SIZE-S0,MSP-TO-CONTACTOR
6	1	06240960	PLATE,MOUNTING,CONTACTORS,GATLIN-GUN
7	3	70033-SCS	SCREW,#8-32x.38,PRHMS,SST
8	2	71011-HCS	NUT,1/4-20,HEX,SST
9	2	71511-EZ	WASHER,1/4,STAR,ZP

SOLUTION PUMP TERMINALS-11010353



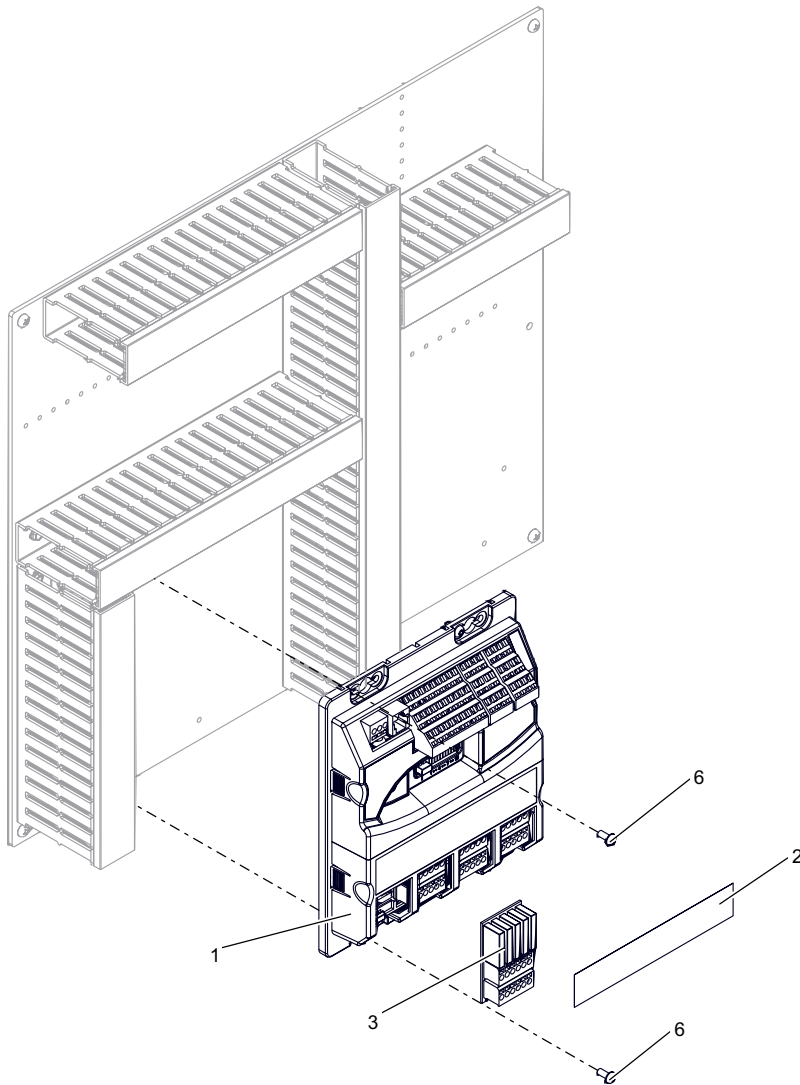
BOM ID	Qty	PartNo	Description
1	1	04050008	RELAY-SOCKET ,W-DPDT-RELAY,24VAC,8A
2	2	04100069	TERMINAL-BLOCK,2P,41A,800V,AWG-20-8
3	1	04100070	TERMINAL,END-PLATE,WAGO,2006-SERIES,GRAY
4	1	04100077	TERMINAL-JUMPER,ADJACENT,2006,SERIES
5	9	04110031	FUSE-HOLDER,AUTOMOTIVE,TERM-BLK
6	1	04110034	FUSE,3A,MINI,FAST-ACTING,AUTOMOTIVE
7	1	04110035	FUSE-HOLDER,END-PLATE,2P,MINI-AUTOMOTIVE
8	2	04110059	FUSE,5A,MINI,FAST-ACTING,AUTOMOTIVE,STYL
9	6	04110086	FUSE,15A,MINI,FAST-ACTING,AUTOMOTIVE
10	21	36507	TERMINAL-BLK,26-14GA,4P,GRAY
11	1	36607	END PLATE,FRONT,4P,280-317,ORANGE
12	2	36650	END-STOP,6mm,PLST,GRAY,249-116
13	5	36800	JUMPER,INSULATED,GRAY
14	7	36802	JUMPER INSULATED 282-402
15	1	36950-9.50	DIN-RAIL,35mmx9.50",AL
16	2	73604-TXCZ	SCREW,#8x.50,HHTEK,ZP

SOLUTION PUMP CIRCUIT BREAKER-11010353



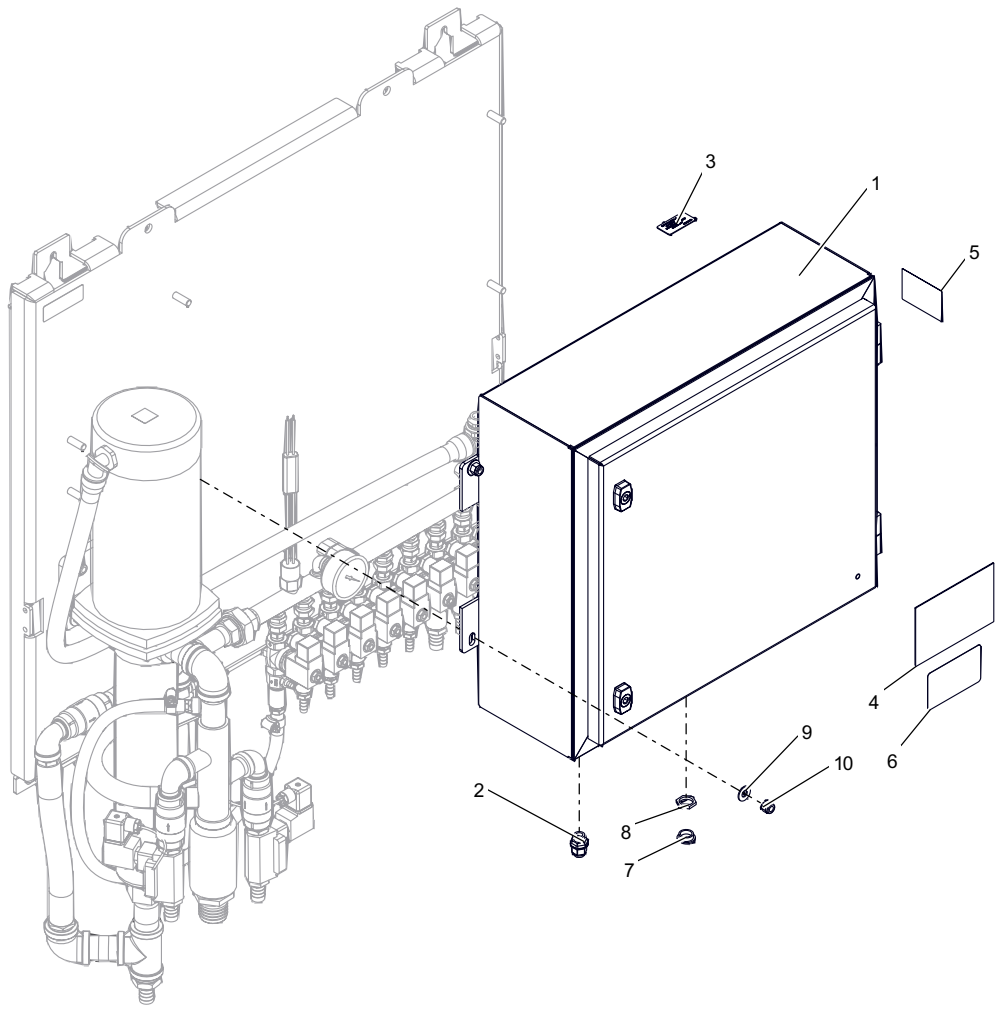
BOM ID	Qty	PartNo	Description
1	1	04010010	CONTACT,AUX, TOP-MOUNT, NO-NC, EATON
2	3	04100050	TERMINAL-BLOCK, 4P, 10-20AWG, 30A, GRAY, WAGO
3	1	04100051	TERMINAL-END-BARRIER, ORANGE, 4P, WAGO
4	1	04110058	CIRCUIT-BREAKER, 6A, 2P, D, 277V, UL-489
5	1	04110103	MSP, PHASE, SEPARATOR, FRAME-SIZE-B
6	1	04110108	CIRCUIT-BREAKER, MSP, 6.3-10A, 65KA, 480V
7	1	04140005	DIN-RAIL, 35mmx8.00", AL
8	5	36506	TERMINAL-BLK, 26-12GA, 2P, PLST, 280-601
9	1	36606	END-PLATE, FRONT, 2P, PLST, 280-331
10	2	36650	END-STOP, 6mm, PLST, GRAY, 249-116
11	2	73604-TXCZ	SCREW, #8x.50, HHTK, ZP

SOLUTION PUMP IO MONITOR-11010353



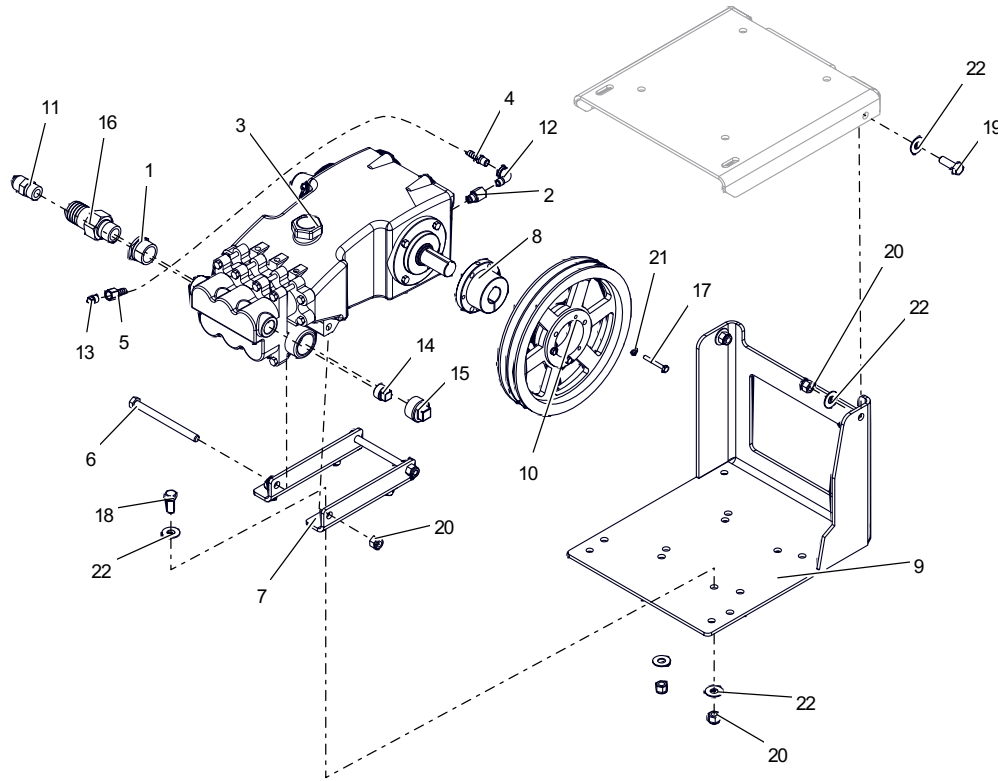
BOM ID	Qty	PartNo	Description
1	1	11010052	NODE, I/O-MODULE, 10IN, 20OUT, 4US, 2SERIAL
2	1	02030853	DECAL, NODE, OUTPUT-LIST, SOLU-PMP, TDMSL
3	4	04580019	CIRCUIT-BOARD, OUTPUT, 5-RELAY, 6A
6	4	70033-SCS	SCREW, #8-32x.38, PRHMS, SST

SOLUTION PUMP ELECTRICAL ENCLOSURE-11010353



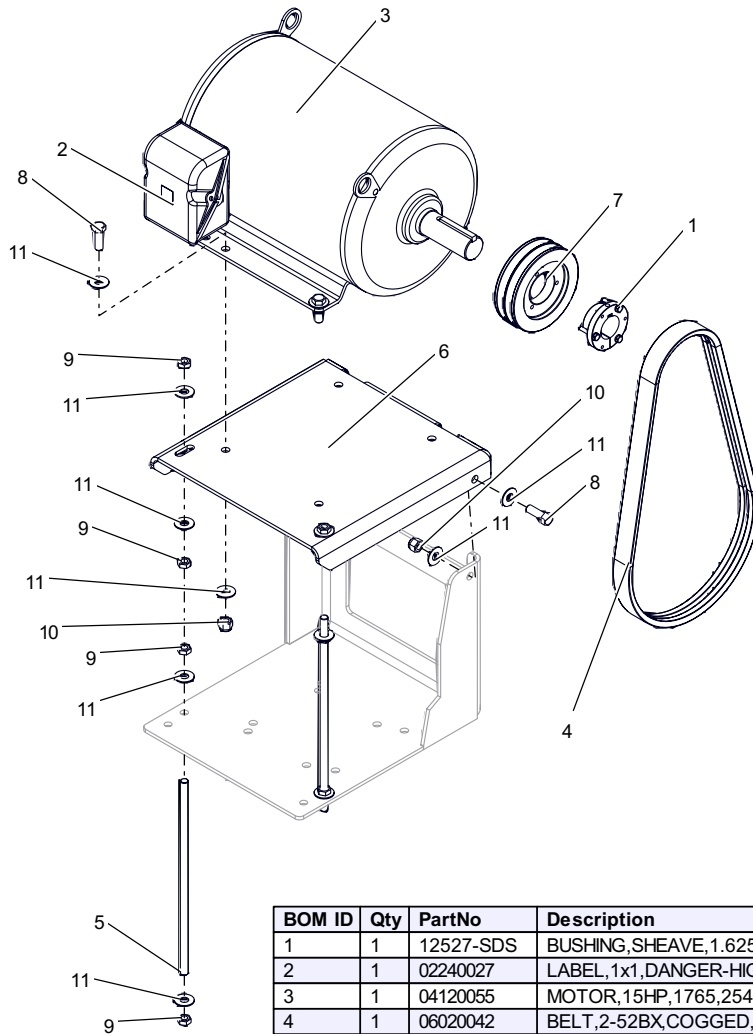
BOM ID	Qty	PartNo	Description
10	4	71013-NCS	NUT,3/8-16,HEX,LOCK,SST
3	1	02020074	LABEL,PRINTED,2x1",WHITE,DO-NOT-DRILL
4	1	02030719	DECAL,LOCK-OUT,ARC-FLASH,H-V,CAUTION
5	1	02230328	LABEL,ID,11010353,CTRL-BOX,SOL-PMP,TDMSL
6	1	02240091	LABEL,INFO,QR-LABEL,MANUALS,PDQ
1	1	04090138	ENCLOSURE,LOW-PRES-PUMP,AL
7	6	04330013	PLUG,HOLE,M20x1.5,POLYSTYRENE,GRAY
2	15	04450024	STRAIN-RELIEF,.138-.315",W/LOCKNUT,NYLON
8	6	05020069	NUT,M20x1.5,NYL,GRAY
9	4	05030067	WASHER,3/8,FLAT,7/8-OD,.050THK,SST

HIGH PRESSURE PUMP STATION CAT PUMP 208 230 460-11050133



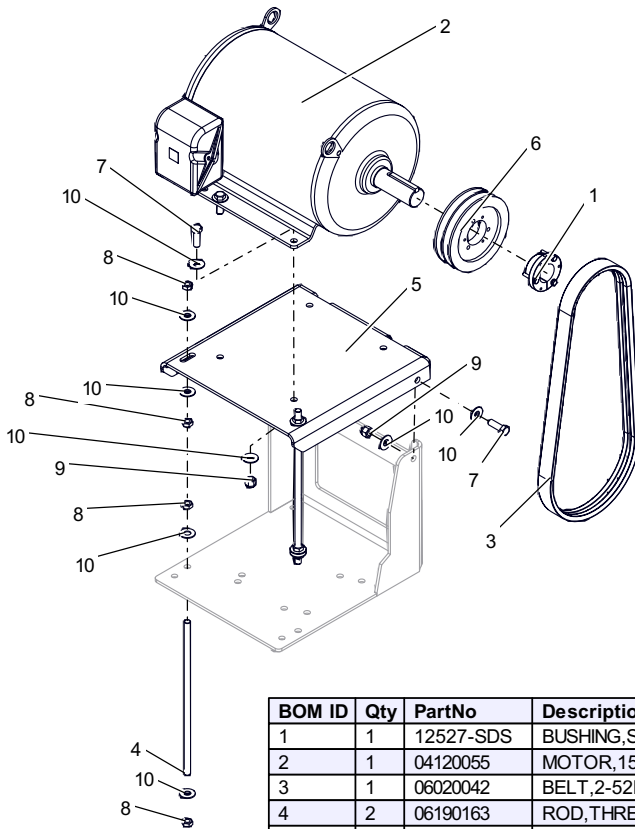
BOM ID	Qty	PartNo	Description
1	1	03090003	BUSHING-REDUCING,1-1/4NPTx1NPT,BRS
2	1	03140010	ADAPTER,STR,1/4-19BSPx1/4FNPT,PL-STL
3	1	03180001	PUMP,PLUNGER,CAT-PUMP,80LPM,8.5MPA
4	1	03310007	HOSE-BARB,3/8Hx1/4MNPT,316SST
5	1	03310032	HOSE-BARB,3/8Hx1/4FNPT,BRS
6	2	05040215	SCREW,1/2-13x6.00,HHCS,SST,FULL-THD
7	2	06141260	BRACKET,MOUNT,CAT-PUMP,ICON,AL
8	1	06200006	BUSHING,SKx30mm,STEEL
9	1	06240532	PLATE,BASE,PUMP-UNIT,ICON/TDMSL
10	1	12039-2SK	SHEAVE,2B,11.0,2-GROOVE,TYPE-SK
11	1	44568	ADAPTER,#12JIC,37MX3/4MPT,Z-PLT
12	1	67487-4S	ELBOW,STREET,1/4NPT,90DEG,SC40,SST
13	1	67603-B	PLUG,1/4NPT,SQ-HD,BRS
14	1	67604-B	PLUG,3/4NPT,SQ-HD,BRS
15	1	67606-B	PLUG,1-1/4NPT,SQ-HD,BR
16	1	68139-MHB	HOSE-BARB,1-1/2Hx1MNPT,BRS
17	3	70114-HCS	SCREW,1/4-20x2.00,HHCS,SST
18	4	70256-HCS	SCREW,1/2-13x1.25,HHCS,SST
19	2	70257-HCS	SCREW,1/2-13x1.50,HHCS,SST
20	8	71015-NCS	NUT,1/2-13,HEX,LOCK,SST
21	3	71511-LS	WASHER,1/4,LOCK,SST
22	12	71515-FSS	WASHER,1/2,FLAT,SST

HIGH PRESSURE PUMP STATION CAT MOTOR 208 230 460-11050133



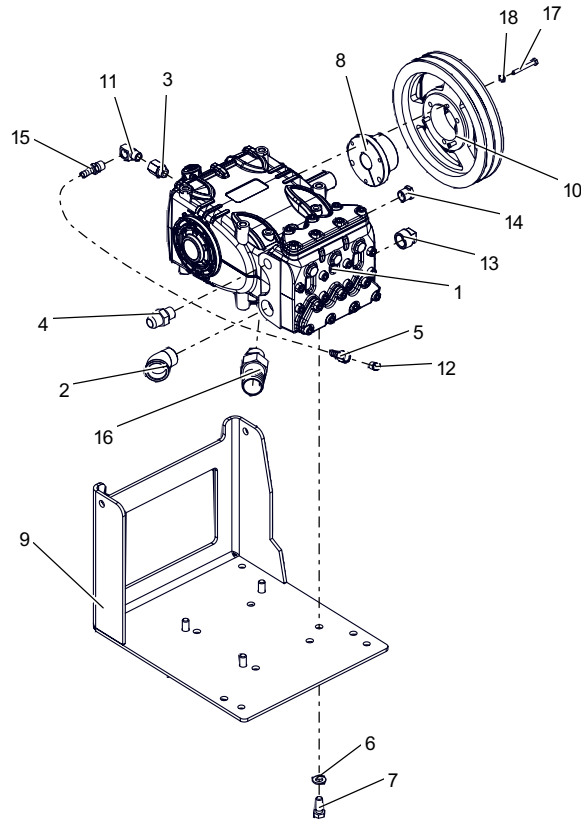
BOM ID	Qty	PartNo	Description
1	1	12527-SDS	BUSHING,SHEAVE,1.625,SDS,STL
2	1	02240027	LABEL,1x1,DANGER-HIGH-VOLTAGE
3	1	04120055	MOTOR,15HP,1765,254T,208-230/460V,PREMIU
4	1	06020042	BELT,2-52BX,COGGED,BND,53.8",RBR
5	2	06190163	ROD,THREADED,1/2-13x14.75",SST,ICON
6	1	06240533	PLATE,BASE,MOTOR,PUMP-UNIT,ICON
7	1	12022-2SDS	SHEAVE,2B5.4,2GROOVE,TYPE-SDS
8	6	70257-HCS	SCREW,1/2-13x1.50,HHCS,SST
9	8	71015-JCS	NUT,1/2-13,HEX,JAM,SST
10	6	71015-NCS	NUT,1/2-13,HEX,LOCK,SST
11	20	71515-FSS	WASHER,1/2,FLAT,SST

HIGH PRESSURE PUMP STATION EMPEROR MOTOR 208 230 460-11050131



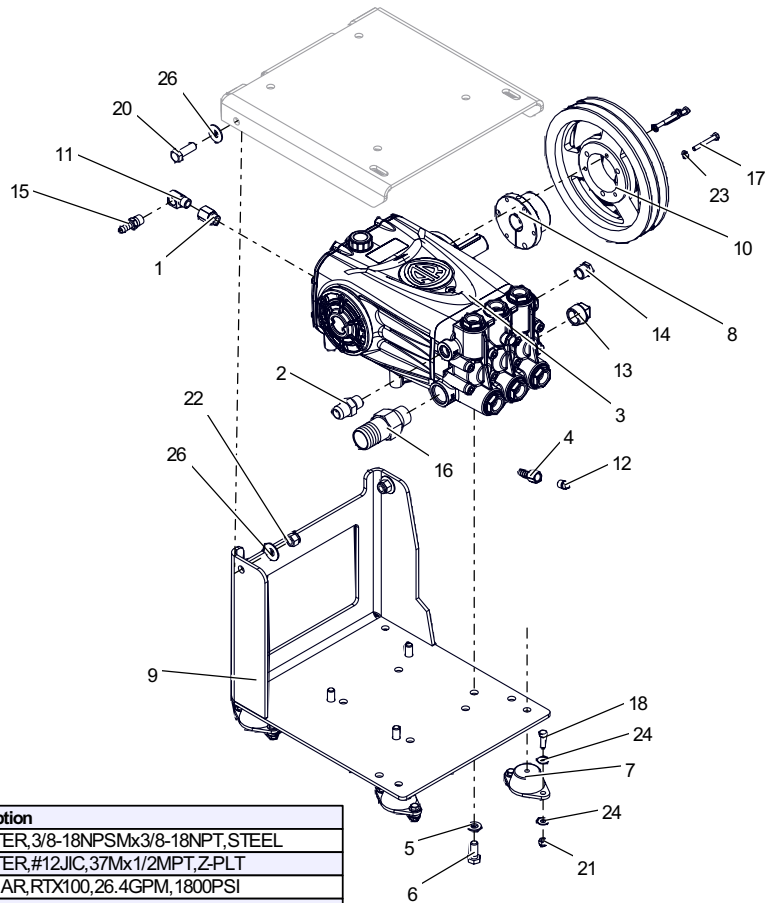
BOM ID	Qty	PartNo	Description
1	1	12527-SDS	BUSHING,SHEAVE,1.625,SDS,STL
2	1	04120055	MOTOR,15HP,1765,254T,208-230/460V,PREMIU
3	1	06020042	BELT,2-52BX,COGGED,BND,53.8",RBR
4	2	06190163	ROD,THREADED,1/2-13x14.75",SST,ICON
5	1	06240533	PLATE,BASE,MOTOR,PUMP-UNIT,ICON
6	1	12028-2SDS	SHEAVE,2B,6.2,2-GROOVE,TYPE-SDS
7	6	70257-HCS	SCREW,1/2-13x1.50,HHCS,SST
8	8	71015-JCS	NUT,1/2-13,HEX,JAM,SST
9	6	71015-NCS	NUT,1/2-13,HEX,LOCK,SST
10	20	71515-FSS	WASHER,1/2,FLAT,SST

HIGH PRESSURE PUMP STATION EMPEROR PUMP 208 230 460-11050131



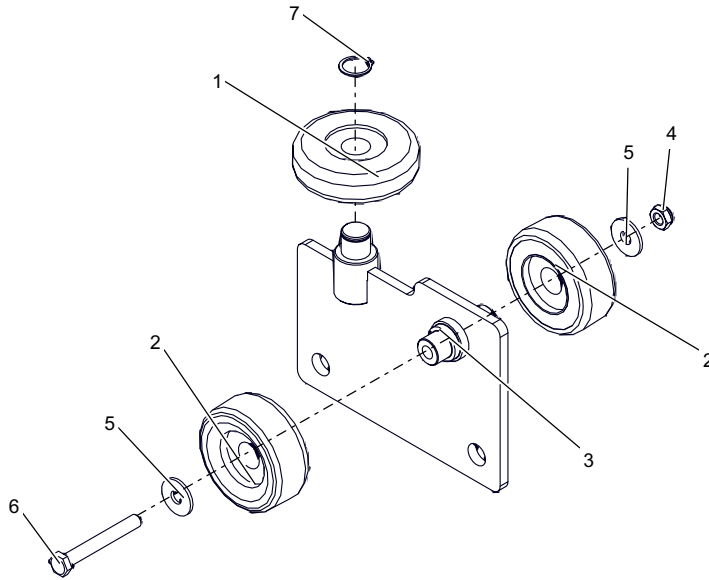
BOM ID	Qty	PartNo	Description
1	1	03180056	PUMP, EMPEROR, HTCK3623S, 21GPM, 1150RPM
2	1	03040050	ELBOW, STREET, 1NPT, 45DEG, BRS
3	1	03140053	ADAPTER, 3/8-18NPSMx3/8-18NPT, STEEL
4	1	03140065	ADAPTER, #12JIC, 3/7Mx1/2MPT, Z-PLT
5	1	03310032	HOSE-BARB, 3/8Hx1/4FNPT, BRS
6	4	05030013	WASHER, M12, FLAT, SST
7	4	05040023	SCREW, M12x30mm, HHCS, SST
8	1	06200006	BUSHING, SKx30mm, STEEL
9	1	06240532	PLATE, BASE, PUMP-UNIT, ICON/TDMSL
10	1	12037-2SK	SHEAVE, 2B9.4, 2GROOVE, TYPE-SK
11	1	67489-4B	ELBOW, STREET, 3/8NPT, 90DEG, SC40, BRS
12	1	67603-B	PLUG, 1/4NPT, SQ-HD, BRS
13	1	67605-B	PLUG, 1NPT, SQ-HD, BRS
14	1	67653-B	PLUG, 1/2NPT, HEX-HD, BRS
15	1	68112-MHB	HOSE-BARB, 3/8Hx3/8MNPT, BRS
16	1	68139-MHB	HOSE-BARB, 1-1/2Hx1MNPT, BRS
17	3	70114-HCS	SCREW, 1/4-20x2.00, HHCS, SST
18	3	71511-LS	WASHER, 1/4, LOCK, SST

HIGH PRESSURE PUMP STATION AR PUMP 208 230 460-11050122



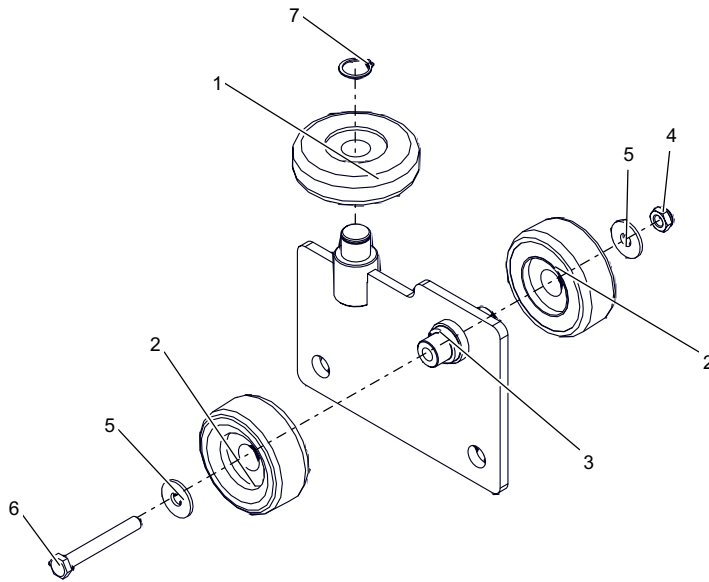
BOM ID	PartNo	Qty	Description
1	03140053	1	ADAPTER,3/8-18NPSMx3/8-18NPT,STEEL
2	03140065	1	ADAPTER,#12JIC,37Mx1/2MPT,Z-PLT
3	03180050	1	PUMP,AR,RTX100,26.4GPM,1800PSI
4	03310032	1	HOSE-BARB,3/8Hx1/4FNPT,BRS
5	05030013	4	WASHER,M12,FLAT,SST
6	05040023	4	SCREW,M12x30mm,HHCS,SST
7	06060010	4	MOUNT,DAMPENER,HP-PUMP-ASSY,M5,NPRN
8	06200006	1	BUSHING,SKx30mm,STEEL
9	06240532	1	PLATE,BASE,PUMP-UNIT,ICON/TDMSL
10	12037-2SK	1	SHEAVE,2B9.4,2GROOVE,TYPE-SK
11	67489-4B	1	ELBOW,STREET,3/8NPT,90DEG,SC40,BRS
12	67603-B	1	PLUG,1/4NPT,SQ-HD,BRS
13	67605-B	1	PLUG,1NPT,SQ-HD,BRS
14	67653-B	1	PLUG,1/2NPT,HEX-HD,BRS
15	68112-MHB	1	HOSE-BARB,3/8Hx3/8MNPT,BRS
16	68139-MHB	1	HOSE-BARB,1-1/2Hx1MNPT,BRS
17	70114-HCS	3	SCREW,1/4-20x2.00,HHCS,SST
18	70145-HCS	8	SCREW,5/16-18x1.00,HHCS,SST
20	70257-HCS	2	SCREW,1/2-13x1.50,HHCS,SST
21	71012-NCS	8	NUT,5/16-18,HEX,LOCK,SST
22	71015-NCS	2	NUT,1/2-13,HEX,LOCK,SST
23	71511-LS	3	WASHER,1/4,LOCK,SST
24	71512-FS	16	WASHER,5/16,FLAT,SST
26	71515-FSS	4	WASHER,1/2,FLAT,SST

BACK BRIDGE TRUCKS-11220013



BOM ID	Qty	PartNo	Description
1	1	06170003	ROLLER,HORIZONTAL,2.88,DELIN,W/BEARING
2	2	06170008	ROLLER,TAPERED,2.66,DELIN,W/BEARING
3	1	06240328	PLATE,BRIDGE-TRUCK,LASERWASH
4	1	05020074	NUT,5/16-18,HEX LOCK,JAM,SST
5	2	05030018	WASHER,M8,FENDER,SST
6	1	05040261	SCREW,5/16-18x2.375,HHCS,SST
7	1	05120030	RETAINING-RING,17mm,EXT,SST

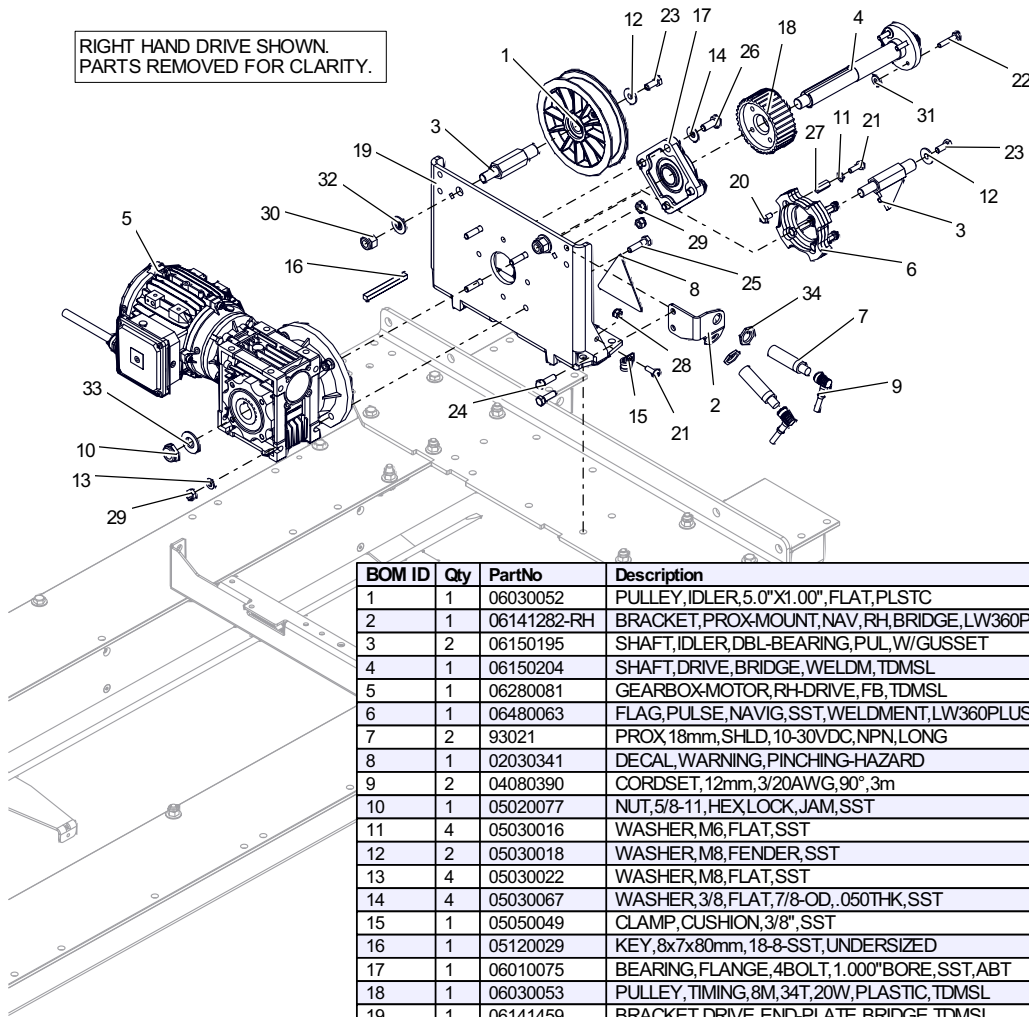
FRONT BRIDGE TRUCKS 11150051



BOM ID	Qty	PartNo	Description
1	1	06170003	ROLLER,HORIZONTAL,2.88,DELFIN,W/BEARING
2	2	06170008	ROLLER,TAPERED,2.66,DELFIN,W/BEARING
3	1	06240328	PLATE, BRIDGE-TRUCK,LASERWASH
4	1	05020074	NUT,5/16-18,HEX LOCK,JAM,SST
5	2	05030018	WASHER,M8,FENDER,SST
6	1	05040261	SCREW,5/16-18x2.375,HHCS,SST
7	1	05120030	RETAINING-RING,17mm,EXT,SST

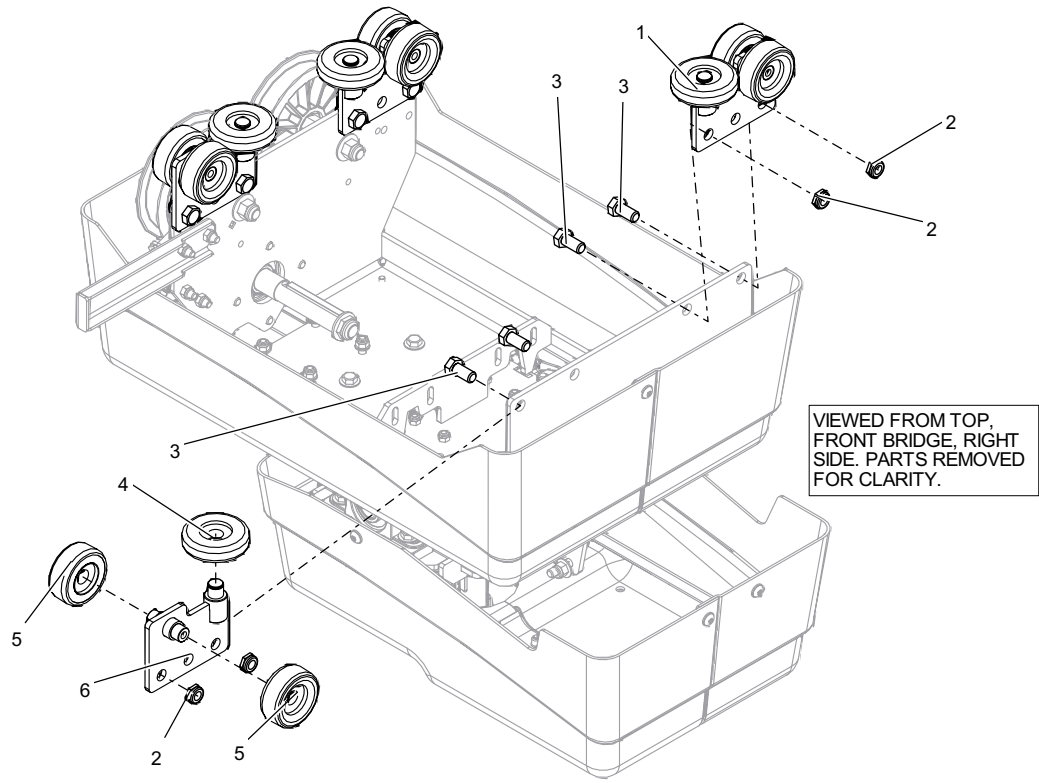
FRONT BRIDGE GEARBOX DRIVE 11170022

RIGHT HAND DRIVE SHOWN.
PARTS REMOVED FOR CLARITY.



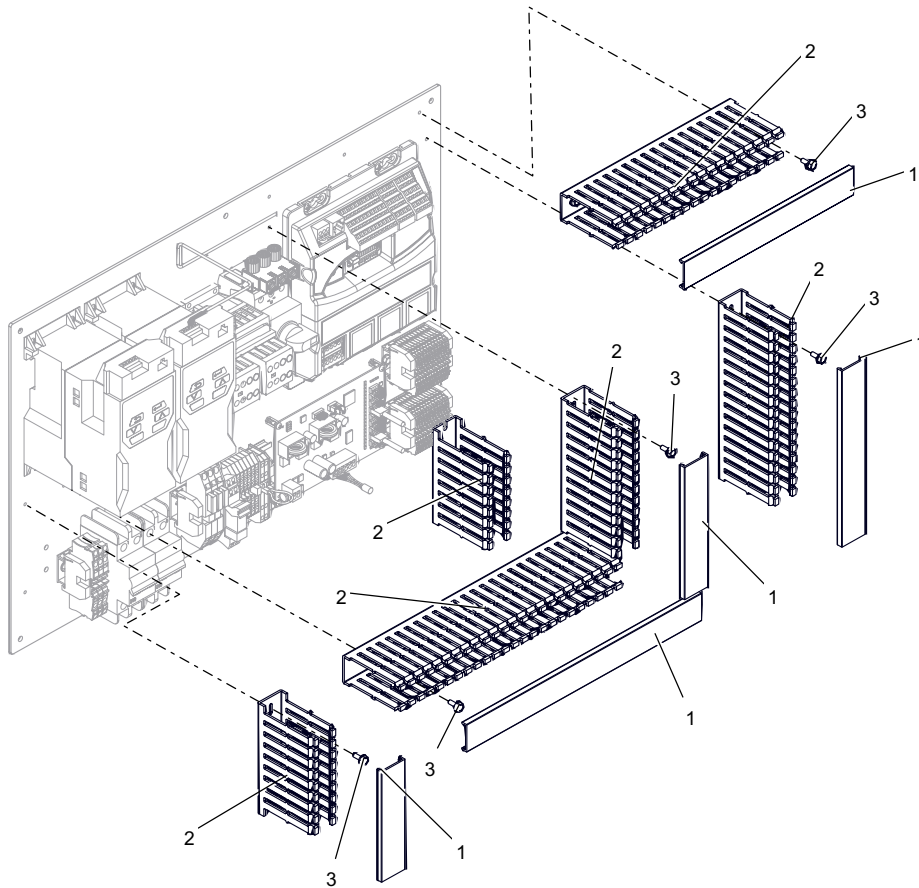
BOM ID	Qty	PartNo	Description
1	1	06030052	PULLEY, IDLER, 5.0"X1.00", FLAT, PLSTC
2	1	06141282-RH	BRACKET, PROX MOUNT, NAV, RH, BRIDGE, LW360P
3	2	06150195	SHAFT, IDLER, DBL-BEARING, PUL, W/GUSSET
4	1	06150204	SHAFT, DRIVE, BRIDGE, WELDM, TDMSL
5	1	06280081	GEARBOX-MOTOR, RH-DRIVE, FB, TDMSL
6	1	06480063	FLAG, PULSE, NAVIG, SST, WELDMNT, LW360PLUS
7	2	93021	PROX 18mm, SHLD, 10-30VDC, NPN, LONG
8	1	02030341	DECAL, WARNING, PINCHING-HAZARD
9	2	04080390	CORDSET, 12mm, 3/20AWG, 90°, 3m
10	1	05020077	NUT, 5/8-11, HEX, LOCK, JAM, SST
11	4	05030016	WASHER, M6, FLAT, SST
12	2	05030018	WASHER, M8, FENDER, SST
13	4	05030022	WASHER, M8, FLAT, SST
14	4	05030067	WASHER, 3/8, FLAT, 7/8-OD, .050THK, SST
15	1	05050049	CLAMP, CUSHION, 3/8", SST
16	1	05120029	KEY, 8x7x80mm, 18-8-SST, UNDERSIZED
17	1	06010075	BEARING, FLANGE, 4BOLT, 1.000" BORE, SST, ABT
18	1	06030053	PULLEY, TIMING, 8M, 34T, 20W, PLASTIC, TDMSL
19	1	06141459	BRACKET, DRIVE, END-PLATE, BRIDGE, TDMSL
20	4	70106-HCS	SCREW, 1/4-20x.50, HHCS, SST
21	5	70108-SCS	SCREW, 1/4-20x.75, PPHMS, SST
22	4	70111-HCS	SCREW, 1/4-20x1.25, HHCS, SST
23	2	70143-HCS	SCREW, 5/16-18x.75, HHCS, SST
24	2	70145-HCS	SCREW, 5/16-18x1.00, HHCS, SST
25	4	70146-HCS	SCREW, 5/16-18x1.25, HHCS, SST
26	4	70179-HCS	SCREW, 3/8-16x.87, HHCS, SST
27	4	71011-CCS	NUT, 1/4-20, CPLG, SST
28	1	71011-NCS	NUT, 1/4-20, HEX, LOCK, SST
29	6	71012-NCS	NUT, 5/16-18, HEX, LOCK, SST
30	2	71015-NCS	NUT, 1/2-13, HEX, LOCK, SST
31	4	71511-FS	WASHER, 1/4, FLAT, SST
32	2	71515-FS	WASHER, 1/2, FLAT, SST, MIL-SPEC
33	1	71517-FS	WASHER, 5/8, FLAT, SST
34	2	93021B	NUT, LOCKING, PROX 18mm - COMES WITH PROX

FRONT BRIDGE TROLLEY TRUCKS-11150051



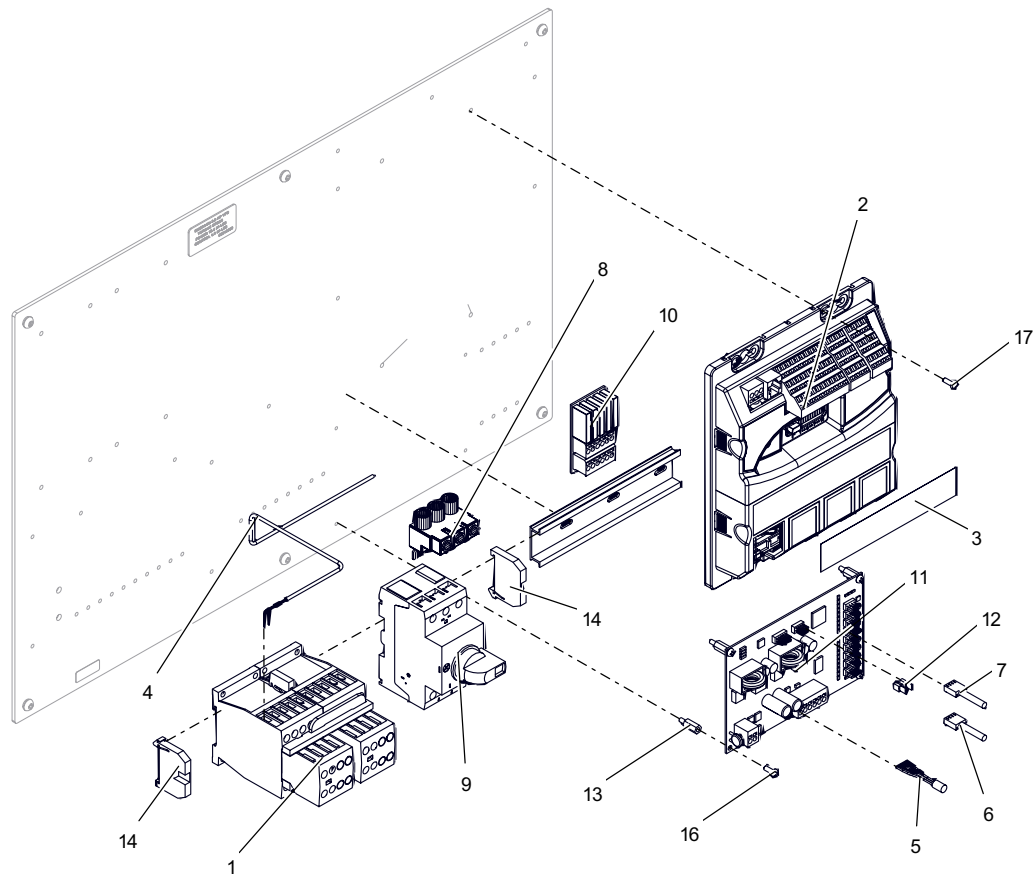
BOM ID	Qty	PartNo	Description
1	4	11150051	TRUCK,TROLLEY,SIDE-BRUSH,ICON
2	8	05020076	NUT,1/2-13,HEX,LOCK,JAM,SST
3	8	70255-HCS	SCREW,1/2-13x1.00,HHCS,SST
4	4	06170003	ROLLER,HORIZONTAL,2.88,DELFIN,W/BEARING
5	8	06170008	ROLLER,TAPERED,2.66,DELFIN,W/BEARING
6	4	06240389	PLATE,TRUCK,TROLLEY,ICON

BACK BRIDGE OPTIONAL ELECTRICAL WIRING DUCTS- 11010316



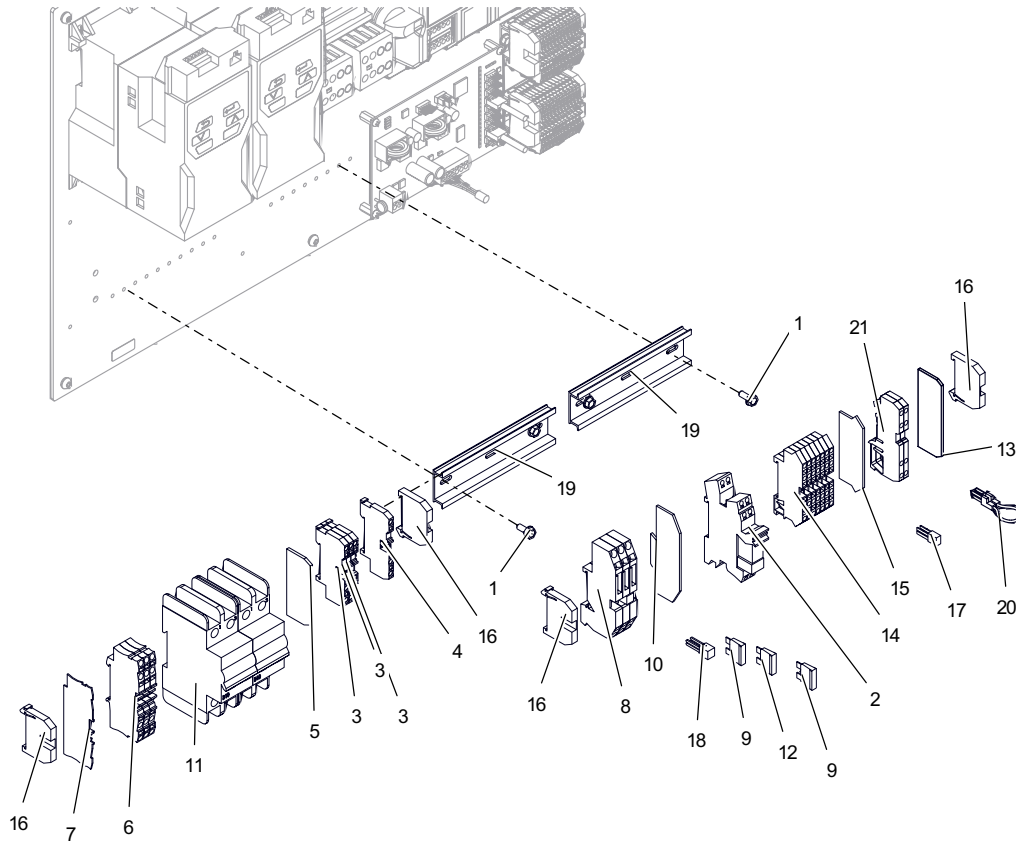
BOM ID	Qty	PartNo	Description
1	5	36215	WIRING-DUCT-COVER,1.00",PVC,WHITE
2	6	36221	WIRING
3	12	73604-TXCZ	SCREW,#8x.50,HHTEK,ZP

BACK BRIDGE OPTIONAL ELECTRICAL CIRCUIT BOARD IO MONITOR-11010316



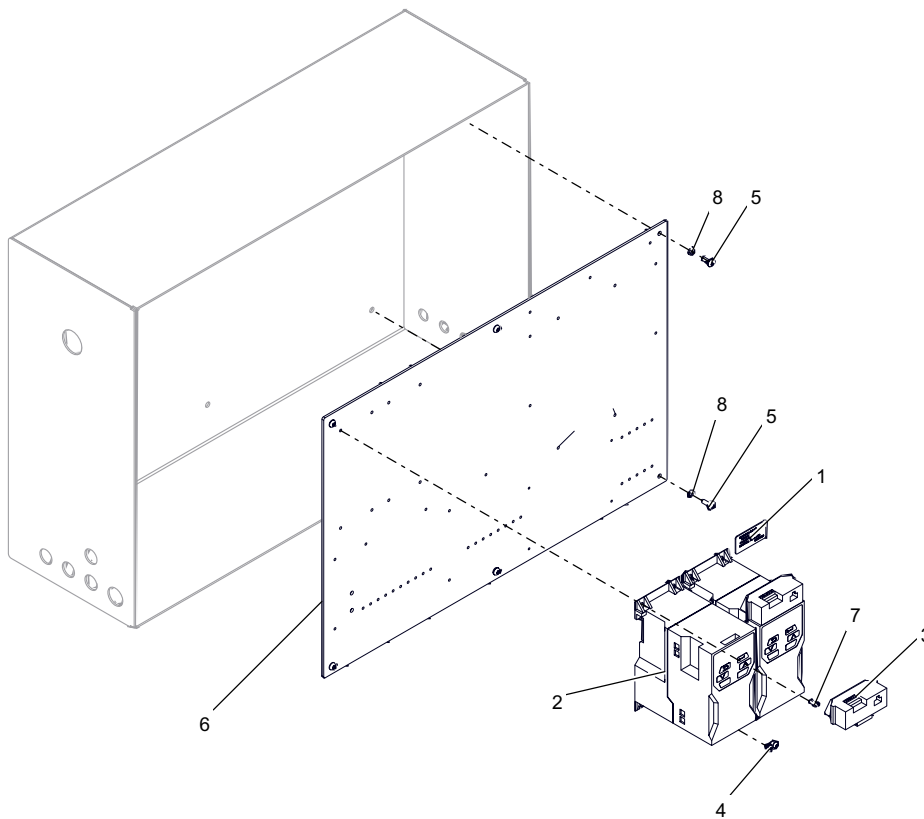
BOM ID	Qty	PartNo	Description
1	1	04020035	CONTACTOR,RVS-ASSY,7A,24V-50-60HZ,600V
2	1	11010052	NODE,I/O-MODULE,10IN,20OUT,4US,2SERIAL
3	1	02030852	DECAL,NODE,OUTPUT-LIST,BB-OPT,TDMSL
4	1	04080676	HARNESS,COMM,RS485,VFD,B-B,OPT,TDMSL
5	1	04080707	HARNESS,SIDE,ARCH,LED,CTRL,BRD,TDMSL
6	1	04080717	HARNESS,CTRL,SIDE-ARCH,RH,LEDS,TDMSL
7	1	04080718	HARNESS,CTRL,SIDE-ARCH,LH,LEDS,TDMSL
8	1	04110103	MSP,PHASE,SEPARATOR,FRAME-SIZE-B
9	1	04110109	CIRCUIT-BREAKER,MSP,4-6.3A,65KA,480V
10	1	04580019	CIRCUIT-BOARD,OUTPUT,5-RELAY,6A
11	1	04580048	CIRCUIT-BOARD,CONTROLLER,LED,DMX
12	2	04590023	SHUNT,HEADER,2-POS,.100-CENTERLINE
13	4	05130044	STAND-OFF,6-32x.50",HEX,NYLON
14	2	36650	END-STOP,6mm,PLST,GRAY,249-116
16	4	70013-SCS	SCREW,#6-32x.38,PRHMS,SST
17	4	70033-SCS	SCREW,#8-32x.38,PRHMS,SST

BACK BRIDGE OPTIONAL ELECTRICAL PANEL TERMINALS FUSES-11010316



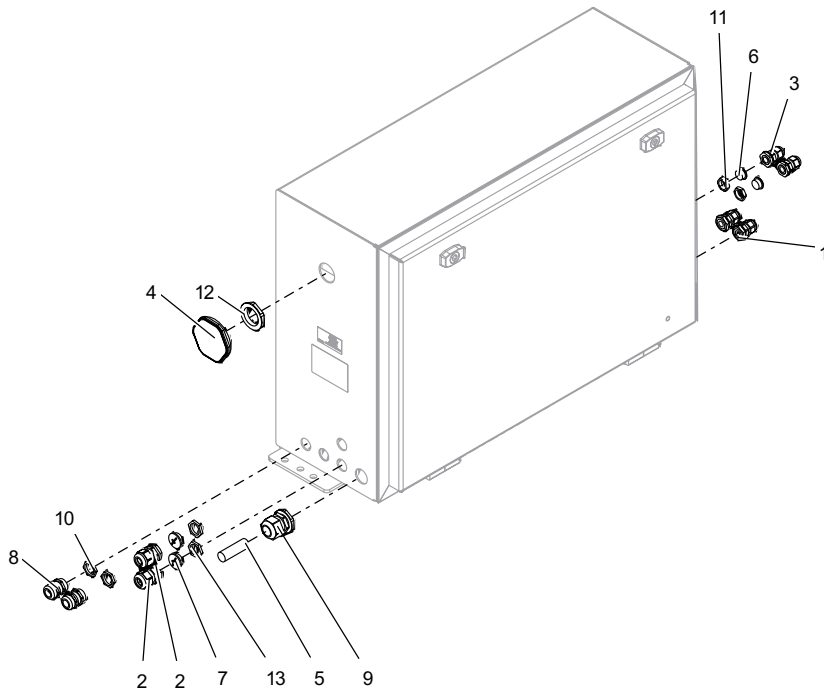
BOM ID	Qty	PartNo	Description
1	4	01234567	DESCRIPTION23456789012345678901234567890
2	1	04050008	RELAY-SOCKET,W-DPDT-RELAY,24VAC,8A
3	3	04100026	TERMINAL-BLOCK,3P,28-12AWG,GRAY,WAGO
4	1	04100027	TERMINAL-BLOCK,3P,28-12AWG,GRN/YEL,WAGO
5	1	04100028	TERMINAL-END-BARRIER,WAGO,280-SER,3P,ORN
6	3	04100050	TERMINAL-BLOCK,4P,10-20AWG,30A,GRAY,WAGO
7	1	04100051	TERMINAL-END-BARRIER,ORANGE,4P,WAGO
8	3	04110031	FUSE-HOLDER,AUTOMOTIVE,TERM-BLK
9	2	04110034	FUSE,3A,MINI,FAST-ACTING,AUTOMOTIVE
10	1	04110035	FUSE-HOLDER,END-PLATE,2P,MINI-AUTOMOTIVE
11	2	04110057	CIRCUIT-BREAKER,10A,2P,D,277V,UL-489
12	1	04110091	FUSE,4A,MINI,FAST-ACTING,AUTOMOTIVE,STYL
13	1	36503	TERMINAL,END-PLATE,.098X2.95,ORANGE,WAGO
14	7	36507	TERMINAL-BLK,26-14GA,4P,GRAY
15	1	36607	END PLATE,FRONT,4P,280-317,ORANGE
16	4	36650	END-STOP,6mm,PLST,GRAY,249-116
17	1	36800	JUMPER,INSULATED,GRAY
18	2	36802	JUMPER,INSULATED 282-402
19	2	36950-5.00	DIN-RAIL,35mmx5.00",AL
20	1	04100096	TERMINAL-JUMPER,WIRE,2P,WAGO
21	2	04100024	TERMINAL,GROUND,28-12AWG,4-COND,YEL-GRN

BACK BRIDGE OPTIONAL ELECTRICAL PANEL FREQUENCY DRIVE-11010316



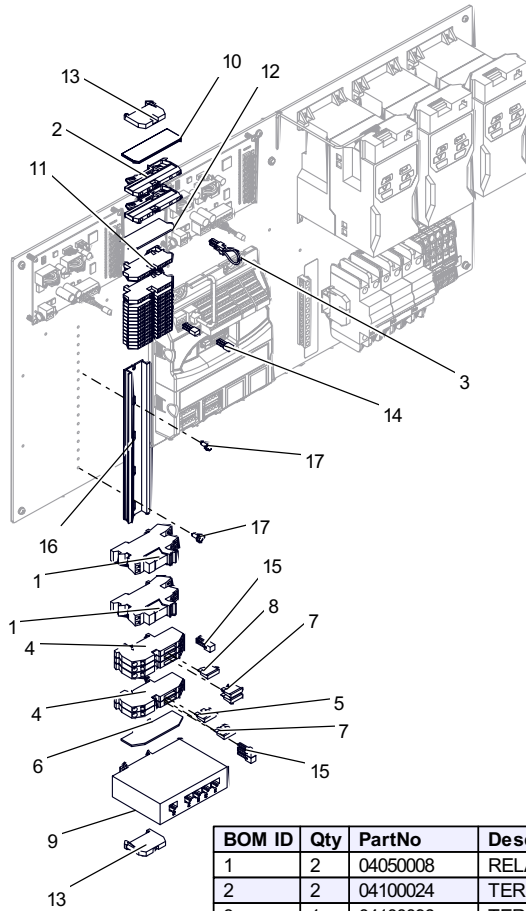
BOM ID	Qty	PartNo	Description
1	1	02240090	LABEL,TORQUE-SPEC,VFD,3.0HP,EMERSON
2	2	04180036	FREQ-DRIVE,UM200,0.75HP,0.55kW,230V,1PH
3	2	04540100	MODULE,VFD,INTERFACE,COMM,RS-485,LW360P
4	4	05040141	SCREW,M4x6mm,PPHMS,SST
5	6	05040240	SCREW,#10-32x.5,PPHMS,SST
6	1	06240958	PANEL,ELEC,BACK-PLATE,BB,OPT,TDMSL
7	8	70033-SCS	SCREW,#8-32x.38,PRHMS,SST
8	6	71509-LS	WASHER,#10,LOCK,SST

BACK BRIDGE OPTIONAL ELECTRICAL PANEL STRAIN RELIEFS-11010316



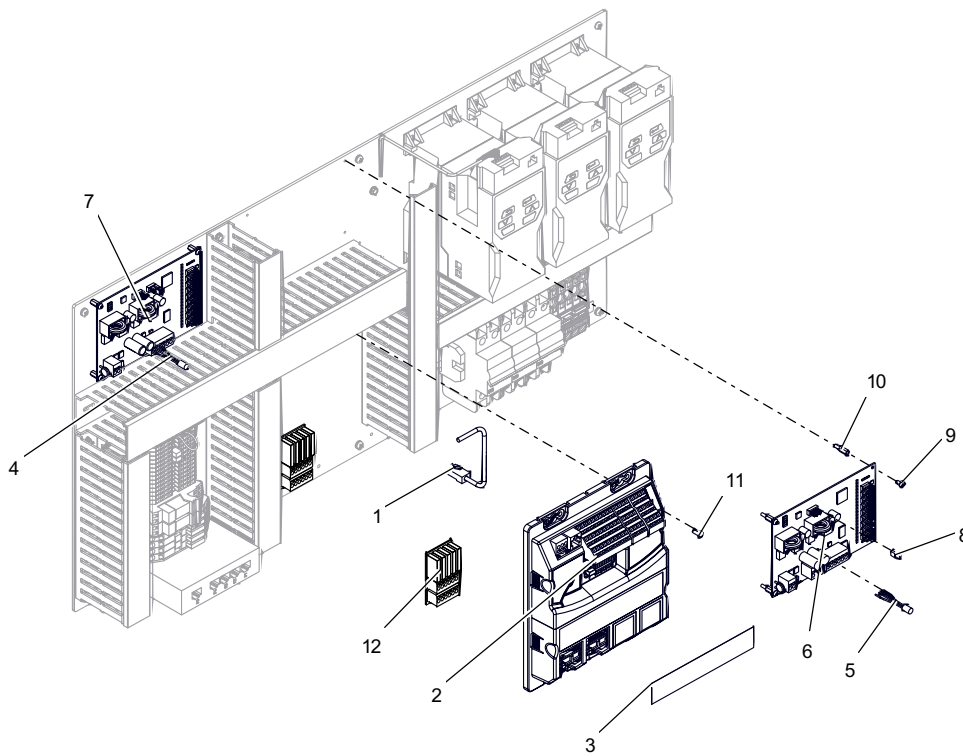
BOM ID	Qty	PartNo	Description
4	1	03160018	VENT,M32X1.5,POLYCARBONATE,GORE
5	1	04080672	HARNES,BK,BRDG,OPTL,HV,TANDEMSL
6	2	04330010	PLUG,HOLE,PG9,NYLON,GREY
7	2	04330013	PLUG,HOLE,M20x1.5,POLYSTYRENE,GRAY
1	2	04450012	STRAIN-RELIEF,M16,.177-.394",PLSTC
2	2	04450016	STRAIN-RELIEF,M20,.276-.512",PLSTC
8	2	04450017	STRAIN-RELIEF,PG13,.197-.472",GND-CONN
9	1	04450018	STRAIN-RELIEF,M25,.354-.669",PLSTC
3	2	04450024	STRAIN-RELIEF,.138-.315",W/LOCKNUT,NYLON
10	2	05020043	NUT,PG13,HEX,LOCK,NI-BRS,GND-CONN
11	2	05020053	NUT,PG-9,HEX,LOCK,NYL
12	1	05020063	NUT,LOCK,M32x1.5,NYL,GREY
13	2	05020069	NUT,M20x1.5,NYL,GRAY

BACK BRIDGE STANDARD ELECTRICAL TERMINALS FUSES-11010351



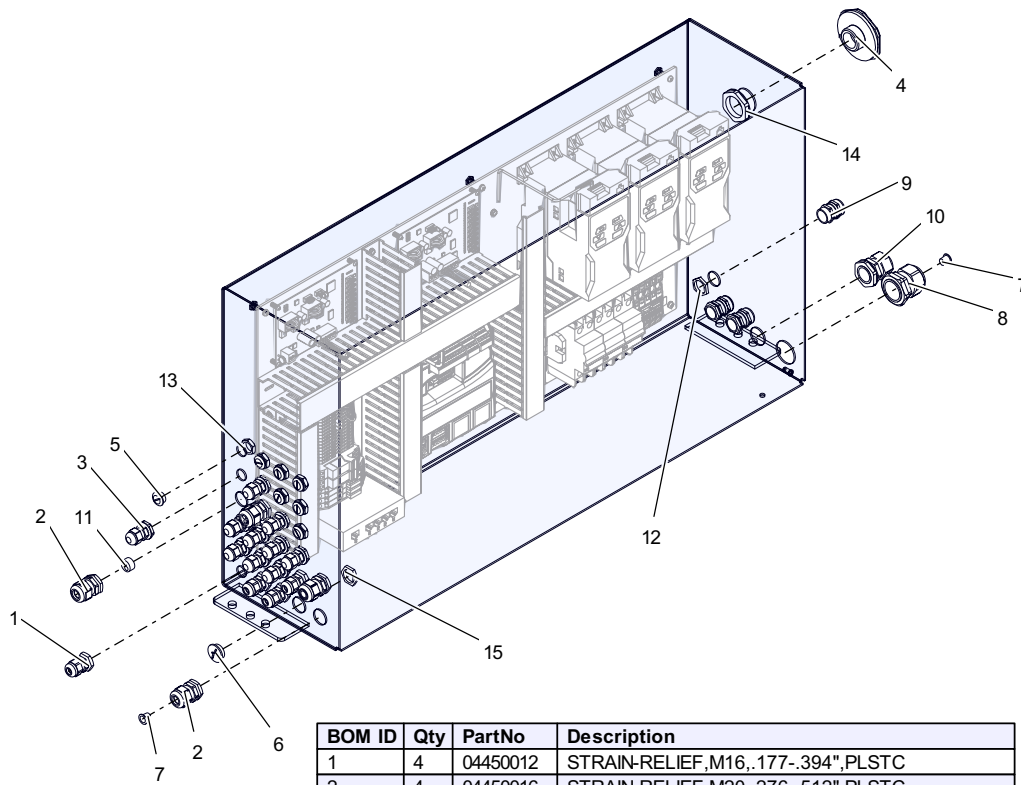
BOM ID	Qty	PartNo	Description
1	2	04050008	RELAY-SOCKET, W-DPDT-RELAY,24VAC,8A
2	2	04100024	TERMINAL, GROUND,28-12AWG,4-COND, YEL-GRN
3	1	04100096	TERMINAL-JUMPER,WIRE,2P,WAGO
4	5	04110031	FUSE-HOLDER,AUTOMOTIVE,TERM-BLK
5	1	04110034	FUSE,3A,MINI,FAST-ACTING,AUTOMOTIVE
6	1	04110035	FUSE-HOLDER,END-PLATE,2P,MINI-AUTOMOTIVE
7	2	04110059	FUSE,5A,MINI,FAST-ACTING,AUTOMOTIVE,STYL
8	2	04110091	FUSE,4A,MINI,FAST-ACTING,AUTOMOTIVE,STYL
9	1	04540113	HUB,ETHERNET,5-PORT,18-27VAC,18-32VDC
10	1	36503	TERMINAL,END-PLATE,.098X2.95,ORANGE,WAGO
11	14	36507	TERMINAL-BLK,26-14GA,4P,GRAY
12	1	36607	END PLATE,FRONT,4P,280-317,ORANGE
13	2	36650	END-STOP,6mm,PLST,GRAY,249-116
14	2	36800	JUMPER,INSULATED,GRAY
15	3	36802	JUMPER INSULATED 282-402
16	1	36950-8.50	DIN-RAIL,35mmx8.50",AL
17	2	73604-TXCZ	SCREW,#8x.50,HHTEK,ZP

BACK BRIDGE STANDARD ELECTRICAL CIRCUIT BOARDS- 11010351



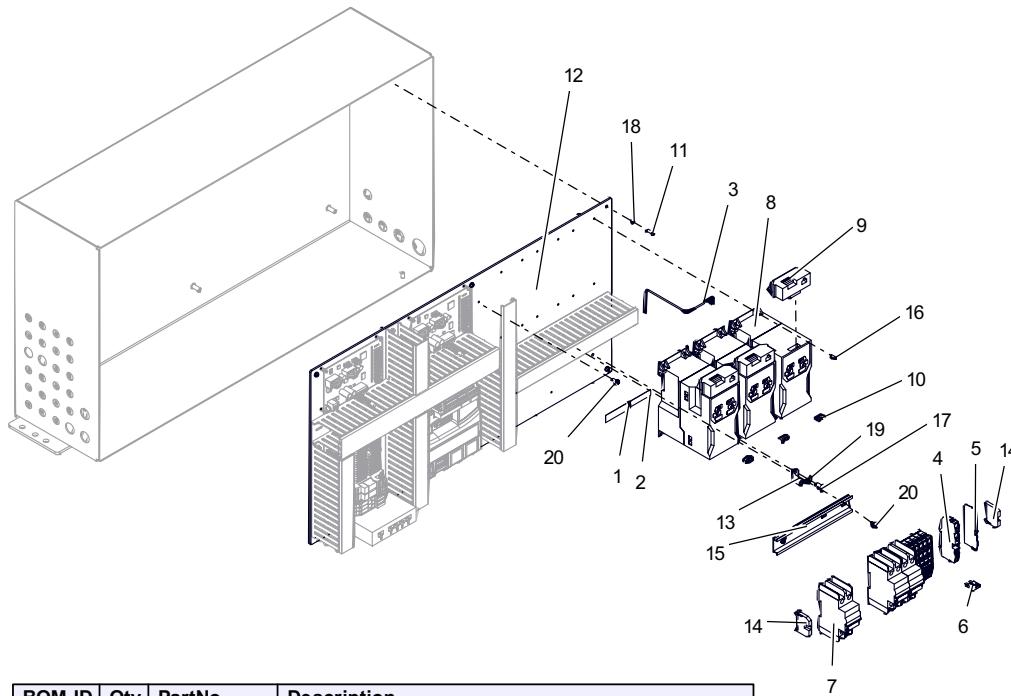
BOM ID	Qty	PartNo	Description
1	1	04200031	CABLE,CAT-5,PATCH,RJ45,8C,450mm,ORANGE
2	1	11010052	NODE,I/O-MODULE,10IN,20OUT,4US,2SERIAL
3	1	02030832	DECAL,NODE,OUTPUT-LIST,BB-STD,TDMSL
4	1	04080709	HARNESS,COMM,RS485,LED,CRTL-2,TDMSL
5	1	04080710	HARNESS,COMM,RS485,BK-BRDG,LED,TDMSL
6	1	04580044	CIRCUIT-BOARD,INTERFACE,INFRARED,MDX
7	1	04580048	CIRCUIT-BOARD,CONTROLLER,LED,DMX
8	3	04590023	SHUNT,HEADER,2-POS.,100-CENTERLINE
9	8	05040140	SCREW,M3x6mm,PPHMS,SST
10	8	05130043	STAND-OFF,M3x10mm,HEX,NYLON
11	4	70033-SCS	SCREW,#8-32x.38,PRHMS,SST
12	2	04580019	CIRCUIT-BOARD,OUTPUT,5-RELAY,6A

BACK BRIDGE STANDARD ELECTRICAL STRAIN RELIEFS-11010351



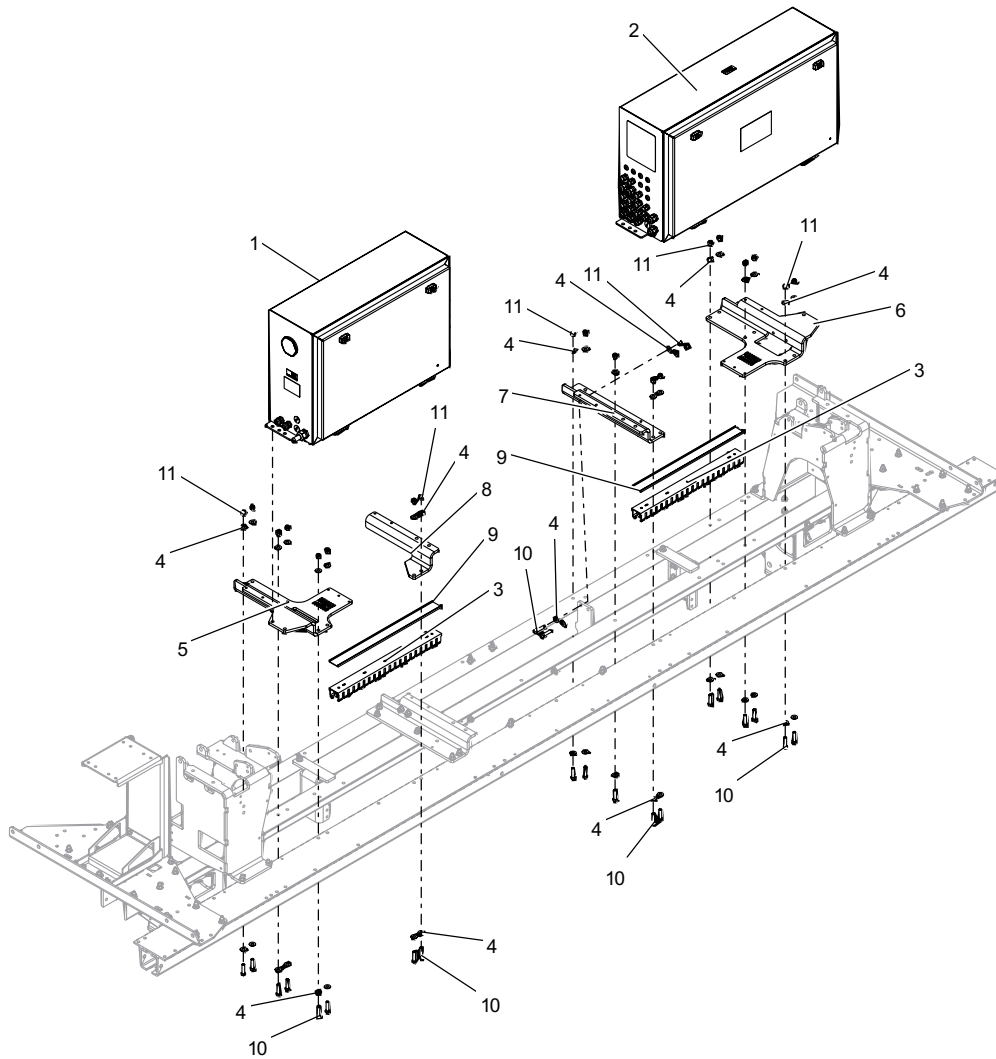
BOM ID	Qty	PartNo	Description
1	4	04450012	STRAIN-RELIEF,M16,.177-.394",PLSTC
2	4	04450016	STRAIN-RELIEF,M20,.276-.512",PLSTC
3	10	04450024	STRAIN-RELIEF,.138-.315",W/LOCKNUT,NYLON
4	1	03160018	VENT,M32X1.5,POLYCARBONATE,GORE
5	7	04330010	PLUG,HOLE,PG9,NYLON,GREY
6	1	04330013	PLUG,HOLE,M20x1.5,POLYSTYRENE,GRAY
7	3	04330016	PLUG,.427,LDP,RED,CAPLUG,T-3
8	1	04450011	STRAIN-RELIEF,M32,.433-.827",PLSTC
9	3	04450017	STRAIN-RELIEF,PG13,.197-.472",GND-CONN
10	1	04450018	STRAIN-RELIEF,M25,.354-.669",PLSTC
11	2	04450029	STRAIN-RELIEF-BUSHING,M20,2-HOLE,.236-DIA
12	3	05020043	NUT,PG13,HEX,LOCK,NI-BRS,GND-CONN
13	7	05020053	NUT,PG-9,HEX,LOCK,NYL
14	1	05020063	NUT,LOCK,M32x1.5,NYL,GREY
15	1	05020069	NUT,M20x1.5,NYL,GRAY

BACK BRIDGE FREQUENCY DRIVE TERMINALS-11010351



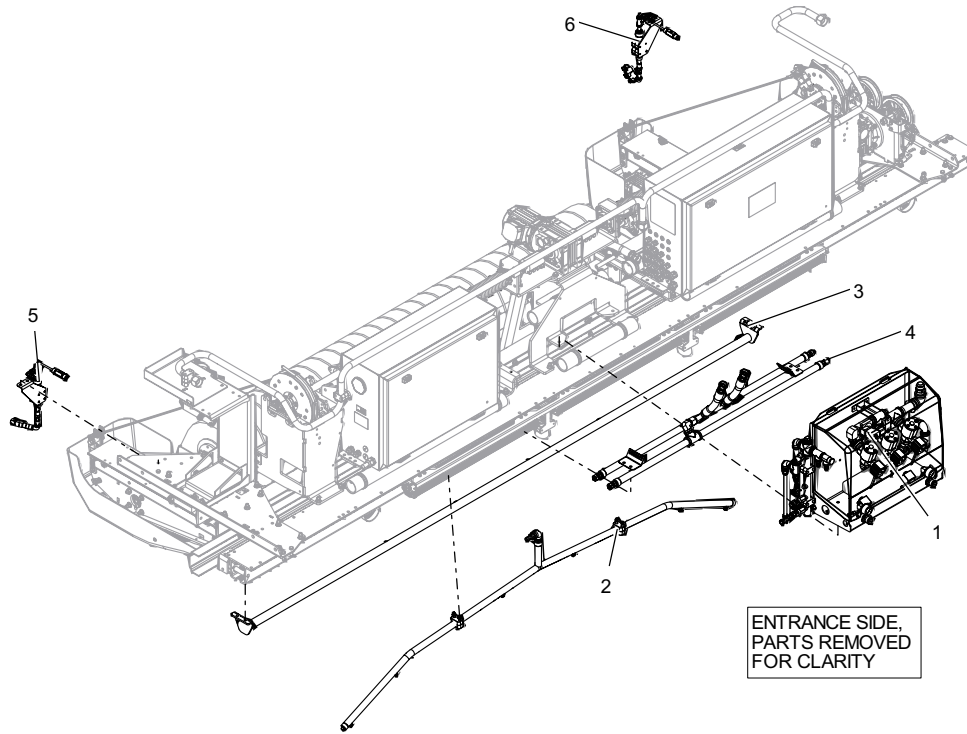
BOM ID	Qty	PartNo	Description
1	1	02030833	DECAL,BRIDGE,MAIN,POWER,TANDEM SL
2	1	02240073	LABEL,INFO,TORQUE,RATING,GND-LUG
3	1	04080674	HARNESS,COMM,RS485,VFD,B-B,TANDEM SL
4	6	04100039	TERMINAL-BLOCK,WAGO,3P,6-20AWG,GRAY
5	3	04100041	TERMINAL,END-PLATE,WAGO,2010-SER,3P,ORG
6	3	04100042	TERMINAL,JUMPER,WAGO,2010-SERIES
7	3	04110057	CIRCUIT-BREAKER,10A,2P,D,277V,UL-489
8	3	04180036	FREQ-DRIVE,UM200,0.75HP,0.55kW,230V,1PH
9	3	04540100	MODULE,VFD,INTERFACE,COMM,RS-485,LW360P
10	6	05040141	SCREW,M4x6mm,PPHMS,SST
11	6	05040240	SCREW,#10-32x.50,PPHMS,SST
12	1	06240971	PANEL,ELEC,BACK-PLATE,BB,STD,TDMSL
13	1	34900	LUG,GROUNDING,14-4GA,COPPER
14	2	36650	END-STOP,6mm,PLST,GRAY,249-116
15	1	36950-7.50	DIN-RAIL,35mmx7.50",AL
16	12	70033-SCS	SCREW,#8-32x.38,PRHMS,SST
17	1	70106-HCS	SCREW,1/4-20x.50,HHCS,SST
18	6	71509-LS	WASHER,#10,LOCK,SST
19	1	71511-EZ	WASHER,1/4,STAR,ZP
20	3	73604-TXCZ	SCREW,#8x.50,HHTEK,ZP

BACK BRIDGE ELECTRICAL CONTROL PANELS-09140039



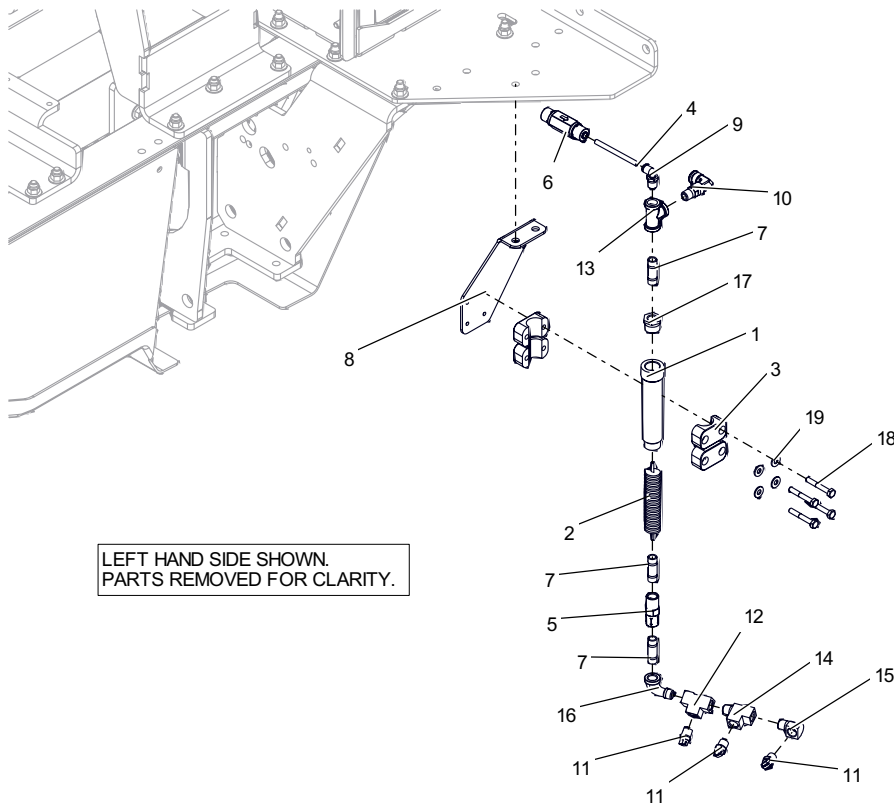
BOM ID	Qty	PartNo	Description
1	1	11010316	CONTROL-BOX, BRIDGE, 208-240V, 60HZ, LWXP
2	1	11010351	CONTROL-BOX, BACK, BRIDGE, STANDARD, TDMSL
3	2	04570043	RACEWAY, 1.5X1.5", SLOTTED, PVC, WHITE
4	42	05030067	WASHER, 3/8, FLAT, 7/8-OD, .050THK, SST
5	1	06141452-LH	BRACKET, CROSS-BAR, SPRING-MNT, LH, TDMSL
6	1	06141452-RH	BRACKET, CROSS-BAR, SPRING-MNT, RH, TDMSL
7	1	06141453-RH	BRACKET, CROSS-BAR, MANIFOLD-MNT, RH, TDMSL
8	1	06141533	BRACKET, ENCLOSURE-MNT, BACK-BRDG, TDMSL
9	2	36230	WIRING DUCT 1.5" COVER WHITE PVC
10	21	70182-HCS	SCREW, 3/8-16x1.50, HHCS, SST
11	21	71013-NCS	NUT, 3/8-16, HEX, LOCK, SST

BACK BRIDGE FLUID MANIFOLDS-09140039



BOM ID	Qty	PartNo	Description
1	1	11030150	VALVE,PANEL,BASE,BACK-BRIDGE,PORTLAND
2	1	11250314	MANIFOLD,TOP-LP-APPLICATOR,SST,TDMSL
3	1	11250319	MANIFOLD,BRUSH-LUBE, TOP-BRUSH,TDMSL
4	1	SEE NOTE 1.B	MANIFOLD,FLUID-DIST,SIDE-ARCH,6-PORT,TDMSL
5	1	11250340-LH	MANIFOLD,APPLICATOR,SS,LH,TDMSL
6	1	11250340-RH	MANIFOLD,APPLICATOR,SS,RH,TDMSL

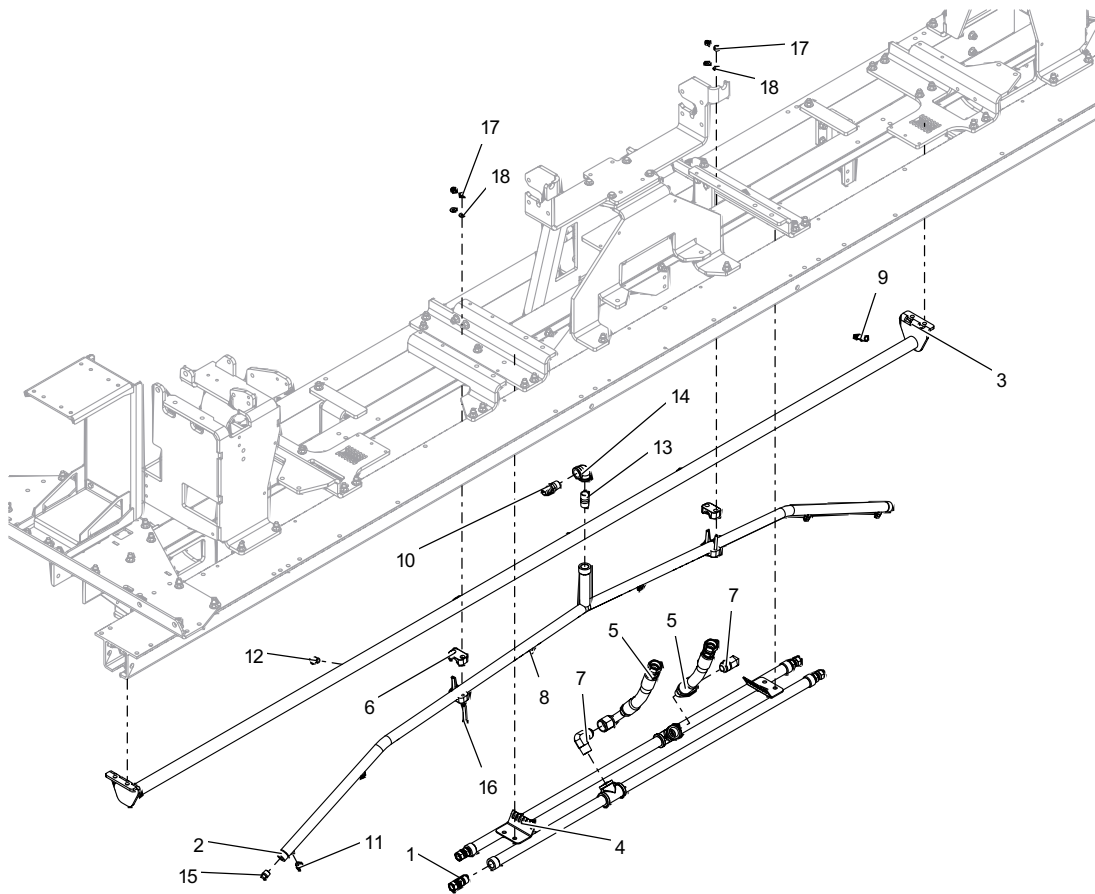
BACK BRIDGE SUPER SEALANT MANIFOLD-11250340



LEFT HAND SIDE SHOWN.
PARTS REMOVED FOR CLARITY.

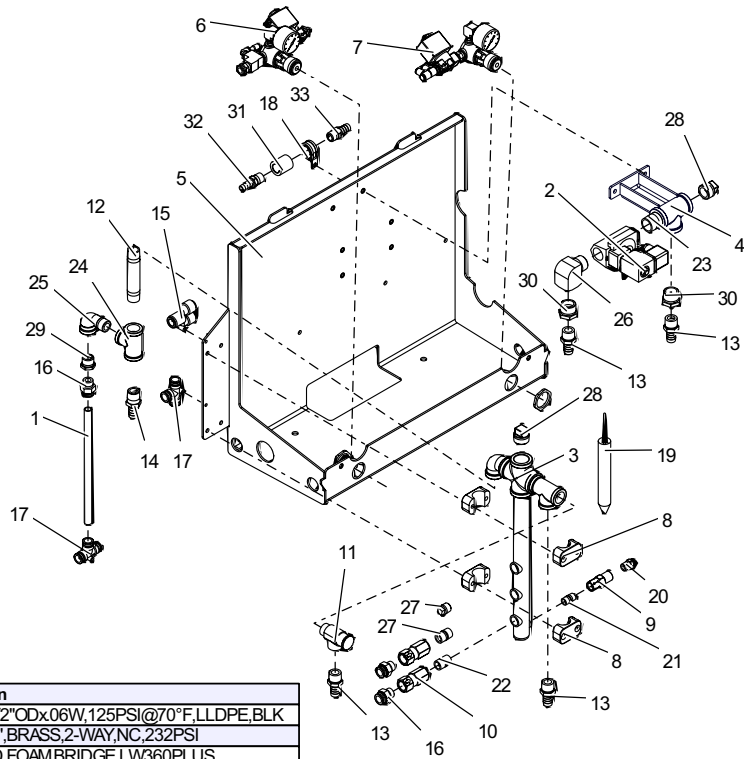
BOM ID	Qty	PartNo	Description
1	1	03220362	MANIFOLD,FOAMER,SUPER-SEALANT,TDMSL
2	1	03260002	MIXER,BRUSH,FOAMER,.875X4,3X/SS,LW360P
3	2	75016	CLAMP,TUBE,1",PP,STANDARD
4	1	01120018	TUBING,1/4ODx.04W,230psi@70F,LLDPE,BLACK
5	1	03010076	VALVE,CHECK,1/4NPT,5PSI,SST
6	1	03010105	VALVE,CHECK,1/4x1/4PCF,3#,BRIDGE,G5
7	3	03130006	NIPPLE,1/4NPTx1.50,SC40,SST
8	1	06141487-LH	BRACKET,SS-NOZZLE,LEFT,BACK-BRDG,TDMSL
9	1	24336-PB	TUBE-FTG,ELBOW,1/4Tx1/4NPT,PUSH,BRS
10	1	24348-PB	TUBE-FTG,ELBOW,3/8Tx1/4NPT,SWVL,BRS
11	3	64234-4M	NOZZLE,FAN,6510,1/4"NPT,SST
12	1	67105-4B	TEE,1/4NPT,PIPE,SC40,BRS
13	1	67105-4S	TEE,1/4NPT,PIPE,SC40,SST,SP114
14	1	67190-4B	TEE,1/4NPT,MALE-RUN,SC40,BRS
15	1	67487-4B	ELBOW,STREET,1/4NPT,90DEG,SHORT,SC40,BRS
16	1	67488	ELBOW,STREET,1/4NPT,90DEG,SC40,BRS
17	1	67704-S	BUSHING,1/2NPTx1/4NPT,SST
18	4	70113-HCS	SCREW,1/4-20x1.75,HHCS,SST
19	4	71511-FS	WASHER,1/4,FLAT,SST

BACK BRIDGE SOLUTION MANIFOLDS-09140039



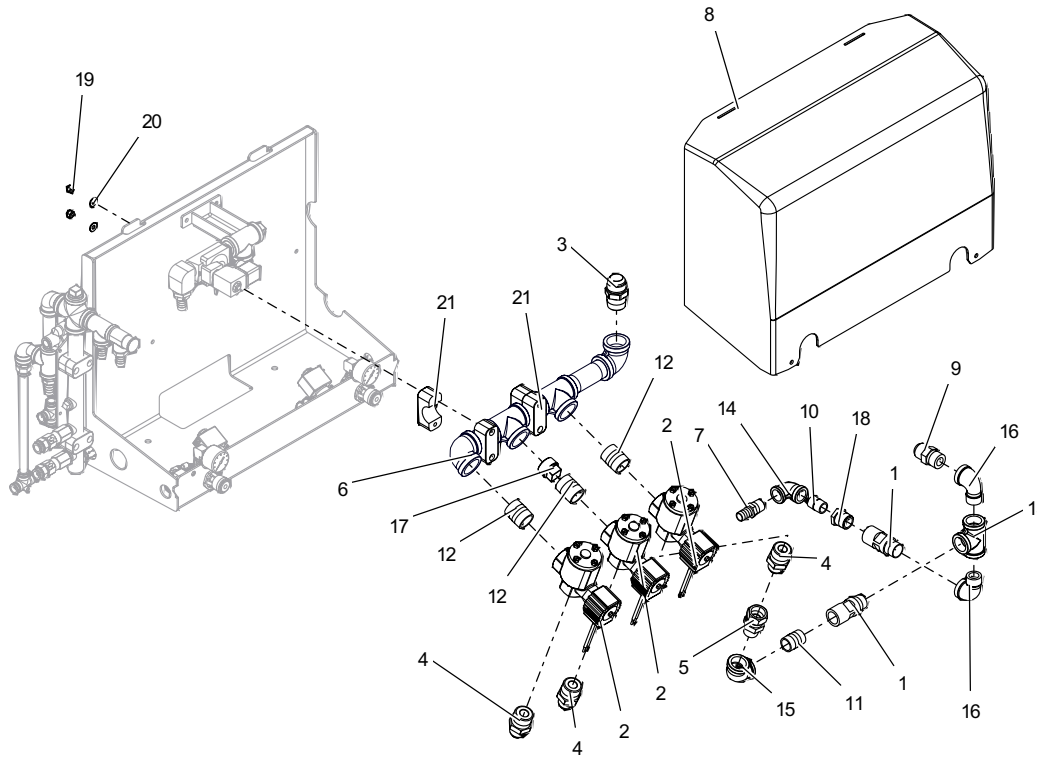
BOM ID	Qty	PartNo	Description
1	4	03140071	ADAPTER, 1/2MNPTx#8FJIC, SWL, PLTD-STEEL
2	1	03220337	MANIFOLD, SOLUTION, APPL, TOP, TDMSL
3	1	03220338	MANIFOLD, WLD, APPL, TOP-BRUSH-LUBE, TDMSL
4	1	03220359	MANIFOLD, FLUID-DIST, 6-PORT, WELD, TDMSL
5	2	03340142	HOSE, SIDE-ARCH-FEED, VLV-OUT, HP, 3/4, TDMSL
6	2	75016	CLAMP, TUBE, 1", PP, STANDARD
7	2	03040057	ELBOW, 3/4MNPTX#12MJIC, 90DEG, PLTD-STL
8	2	03230002	NOZZLE, SPRAY, 4008, 1/4MPT, SST
9	1	03310007	HOSE-BARB, 3/8Hx1/4MNPT, 316SST
10	1	03310047	HOSE-BARB, 5/8Hx1/2MNPT, SST
11	4	64158-4M	NOZZLE, FAN, 4006, 1/4"NPT, SST
12	4	65050-4M	NOZZLE, V-JET, 8015, 1/4"NPT, BRS
13	1	67013-A4S	NIPPLE, 1/2NPTx1.50, SC40, SST
14	1	67406-4S	ELBOW, 1/2NPT, 90DEG, SC40, SST, SP114
15	2	67602-S	PLUG, 3/8NPT, SQ-HD, SST
16	4	70114-SCS	SCREW, 1/4-20x2.00, PPHMS, SST
17	4	71011-NCS	NUT, 1/4-20, HEX, LOCK, SST
18	4	71511-FS	WASHER, 1/4, FLAT, SST

BACK BRIDGE VALVE PANEL FOAM MANIFOLD-11030150



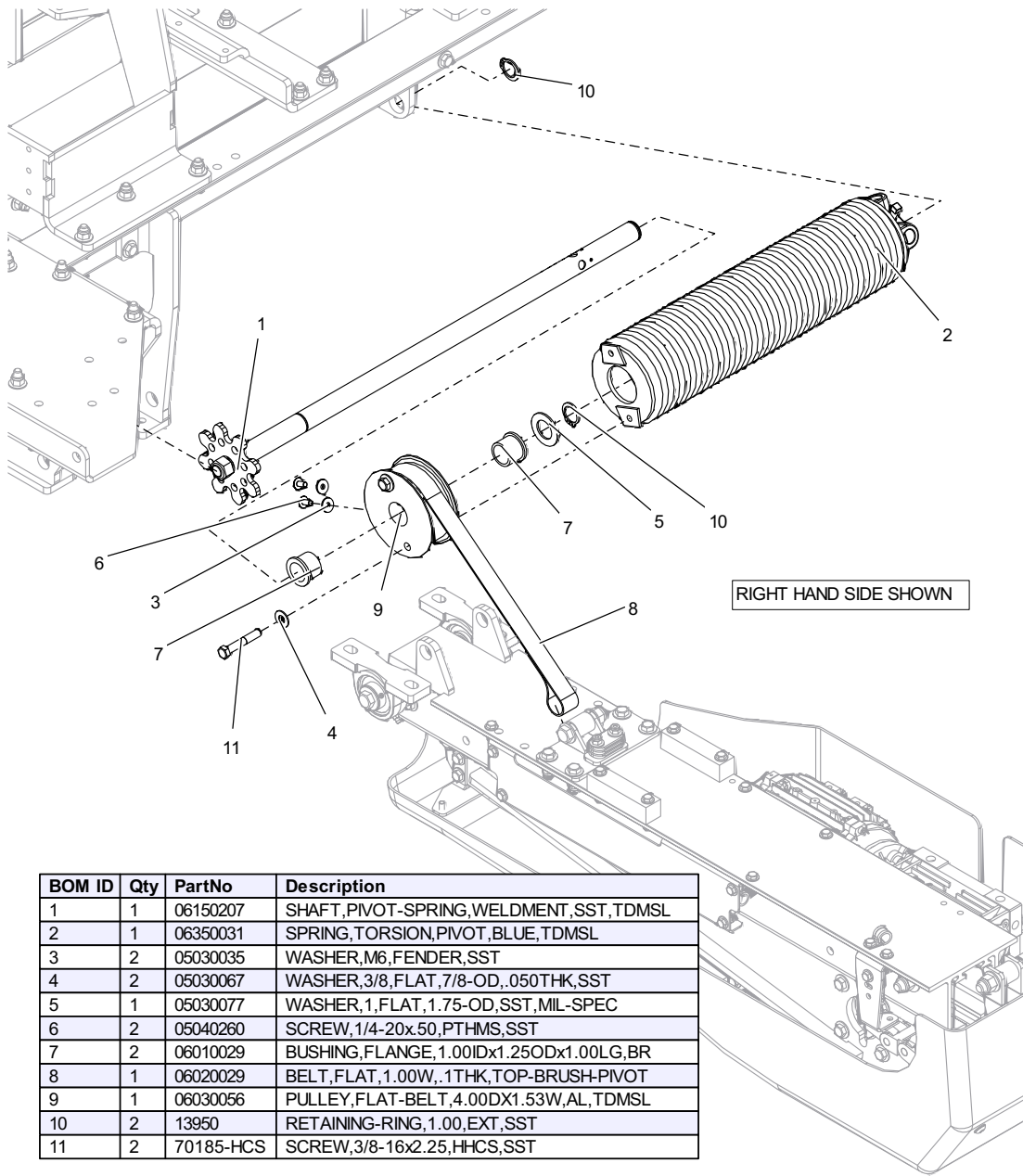
BOM ID	Qty	PartNo	Description
1	1	01120019	TUBING, 1/2"ODx.06W,125PSI@70°F,LLDPE,BLK
2	1	03010178	VALVE, 3/4",BRASS,2-WAY,NC,232PSI
3	1	03220308	MANIFOLD,FOAMBRIDGE,LW360PLUS
4	1	03220344	MANIFOLD,LP,BACK-BRIDGE,WELDED,TDMSL
5	1	06141506	BRACKET,VALVE-PANEL,STRUCTURE,AL,TDMSL
6	1	11030156	VALVE,AIR,BB-VALVE-PANEL,BASE,TDMSL
7	1	11030157	VALVE,AIR,BB-VALVE-PANEL,SS,TDMSL
8	2	75016	CLAMP,TUBE,1",PP,STANDARD
9	1	03010076	VALVE,CHECK,1/4NPT,5PSI,SST
10	2	03010149	VALVE,CHECK,3/8NPT,6500PSI,10.5GPM,SST
11	1	03010203	VALVE,PRESSURE-RELIEF,1/2NPT,200PSI,BR
12	1	03130074	NIPPLE,1/2NPTx4.00,SC40,SST
13	4	03310046	HOSE-BARB,5/8Hx1/2MNPT,BRS
14	1	03310047	HOSE-BARB,5/8Hx1/2MNPT,SST
15	1	03320051	TUBE-FTG,Y,1/2Tx3/8T,PUSH,PLST
16	3	03320071	TUBE-FTG,CONN,1/2Tx3/8NPT,PUSH,SST
17	2	03320076	TUBE-FTG,TEE,1/2T,PUSH,SST
18	1	05050024	CLAMP,CUSHION,1",SST
19	1	06500080	BRUSH,FOAMER,1.125X5,OVERGLOW
20	1	24025-PB	TUBE-FTG,CONN,1/4Tx1/4NPT,PUSH,BRS
21	1	67011-4S	NIPPLE,1/4NPTxCLOSE,SC40,SST
22	2	67012-4S	NIPPLE,3/8NPTxCLOSE,SC40,SST
23	1	67014-4S	NIPPLE,3/4NPTxCLOSE,SC40,SST
24	1	67115-4S	TEE,1/2NPT,PIPE,SC40,SST,SP114
25	1	67491-4S	ELBOW,STREET,1/2NPT,90DEG,SST
26	1	67493-4B	ELBOW,STREET,3/4NPT,90DEG,BRS,BARSTOCK
27	2	67602-S	PLUG,3/8NPT,SQ-HD,SST
28	2	67604-S	PLUG,3/4NPT,SQ-HD,SST
29	1	67705-S	BUSHING,1/2NPTx3/8NPT,SST
30	2	67709-B	BUSHING,3/4NPTx1/2NPT,BRS
31	1	67794-4S	COUPLING,3/8NPT,SST
32	1	68112-MHB	HOSE-BARB,3/8Hx3/8MNPT,BRS
33	1	68116-MHB	HOSE-BARB,1/2Hx3/8MNPT,BRS

BACK BRIDGE VALVE PANEL HIGH PRESSURE MANIFOLD-11030150



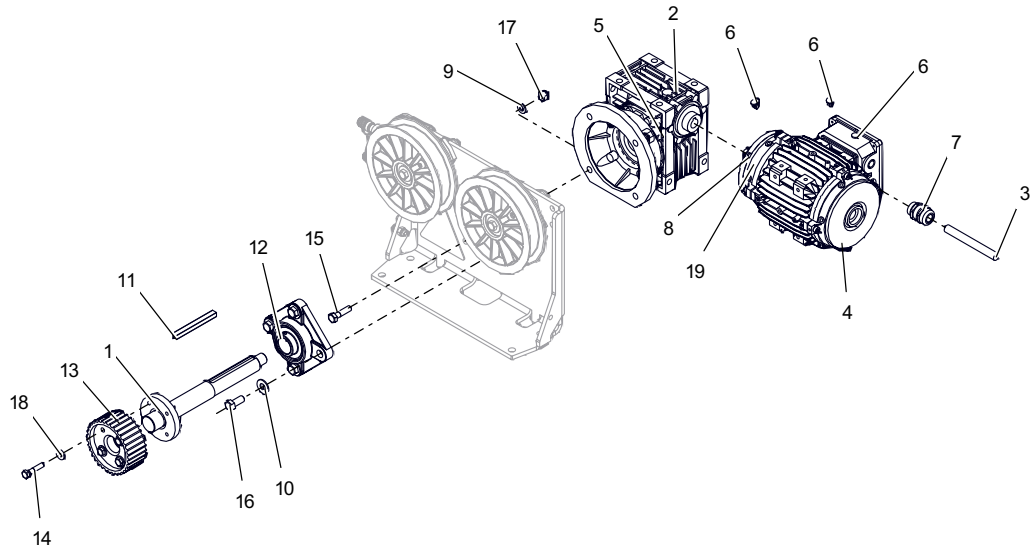
BOM ID	Qty	PartNo	Description
1	2	03010144	VALVE, CHECK, 3/4NPT, SST, 2000PSI, F-M
2	3	03010196	VALVE, 2WAY-NC, 1NPT, 1200PSI, 24VAC, BRS
3	1	03140044	ADAPTER, #16-MJICx1MPT, Z-PLT
4	3	03140057	ADAPTER, #12-MJICx1MPT, Z-PLT
5	1	03140066	ADAPTER, 3/4MNPTx#12FJIC, SWIVEL, Z-PLT
6	1	03220349	MANIFOLD, VALVE, HP, BACK-BRDG, ASSY, TDMSL
7	1	03310047	HOSE-BARB, 5/8Hx1/2MNPT, SST
8	1	06160526	COVER, VALVE-PANEL, BACK-BRIDGE, TDMSL
9	1	44568	ADAPTER, #12JIC, 37MX3/4MPT, Z-PLT
10	1	67013-4S	NIPPLE, 1/2NPTxCLOSE, SC40, SST
11	1	67014-4S	NIPPLE, 3/4NPTxCLOSE, SC40, SST
12	3	67015-4S	NIPPLE, 1NPTxCLOSE, SC40, SST
13	1	67120-4S	TEE, 3/4NPT, PIPE, SC40, SST, SP114
14	1	67406-4S	ELBOW, 1/2NPT, 90DEG, SC40, SST, SP114
15	1	67408-4S	ELBOW, 3/4NPT, 90DEG, SC40, SST, SP114
16	2	67493-4S	ELBOW, STREET, 3/4NPT, 90DEG, SC40, SST
17	1	67605-B	PLUG, 1NPT, SQ-HD, BRS
18	1	67709-S	BUSHING, 3/4NPTx1/2NPT, SST
19	4	71011-NCS	NUT, 1/4-20, HEX, LOCK, SST
20	4	71511-FS	WASHER, 1/4, FLAT, SST
21	2	75025	CLAMP, PIPE, 1.00, PP, STANDARD

BACK BRIDGE TOP BRUSH ELEVATOR-11170020



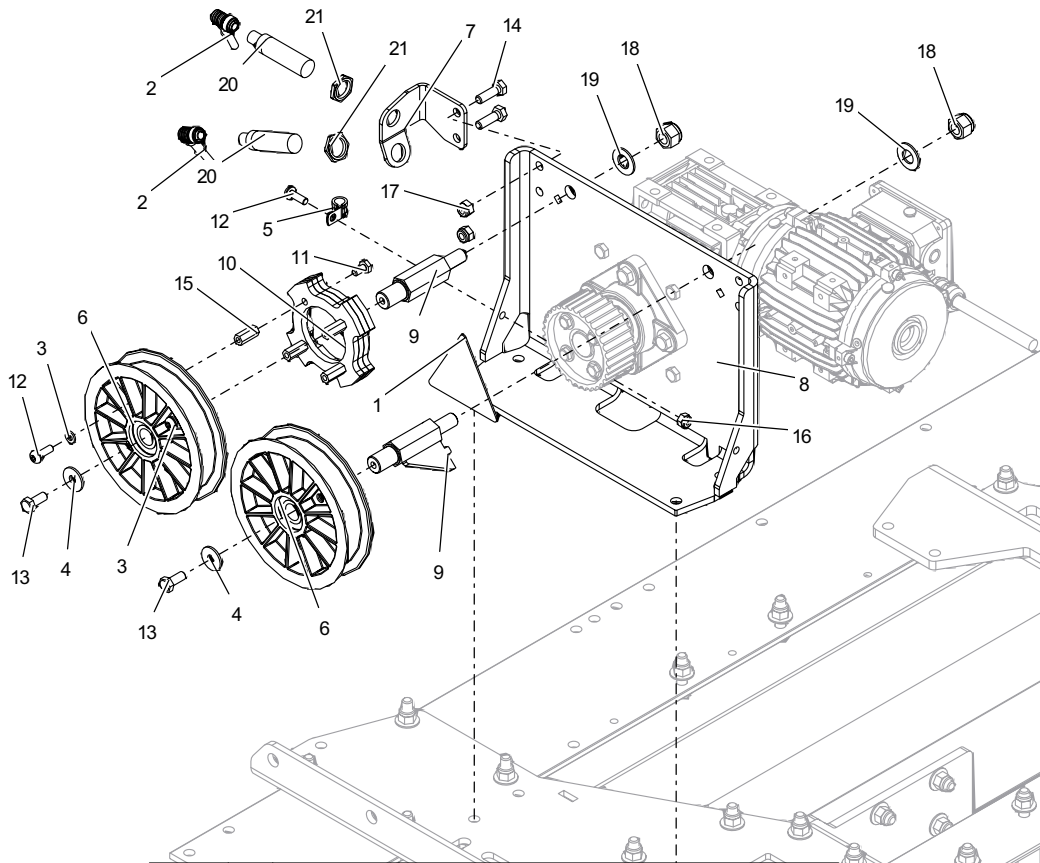
BOM ID	Qty	PartNo	Description
1	1	06150207	SHAFT,PIVOT-SPRING,WELDMENT,SST,TDMSL
2	1	06350031	SPRING,TORSION,PIVOT,BLUE,TDMSL
3	2	05030035	WASHER,M6,FENDER,SST
4	2	05030067	WASHER,3/8,FLAT,7/8-OD,.050THK,SST
5	1	05030077	WASHER,1,FLAT,1.75-OD,SST,MIL-SPEC
6	2	05040260	SCREW,1/4-20x.50,PTHMS,SST
7	2	06010029	BUSHING,FLANGE,1.00IDx1.25ODx1.00LG,BR
8	1	06020029	BELT,FLAT,1.00W,.1THK,TOP-BRUSH-PIVOT
9	1	06030056	PULLEY,FLAT-BELT,4.00DX1.53W,AL,TDMSL
10	2	13950	RETAINING-RING,1.00,EXT,SST
11	2	70185-HCS	SCREW,3/8-16x2.25,HHCS,SST

BACK BRIDGE GEARBOX TIMING PULLEY-11170023



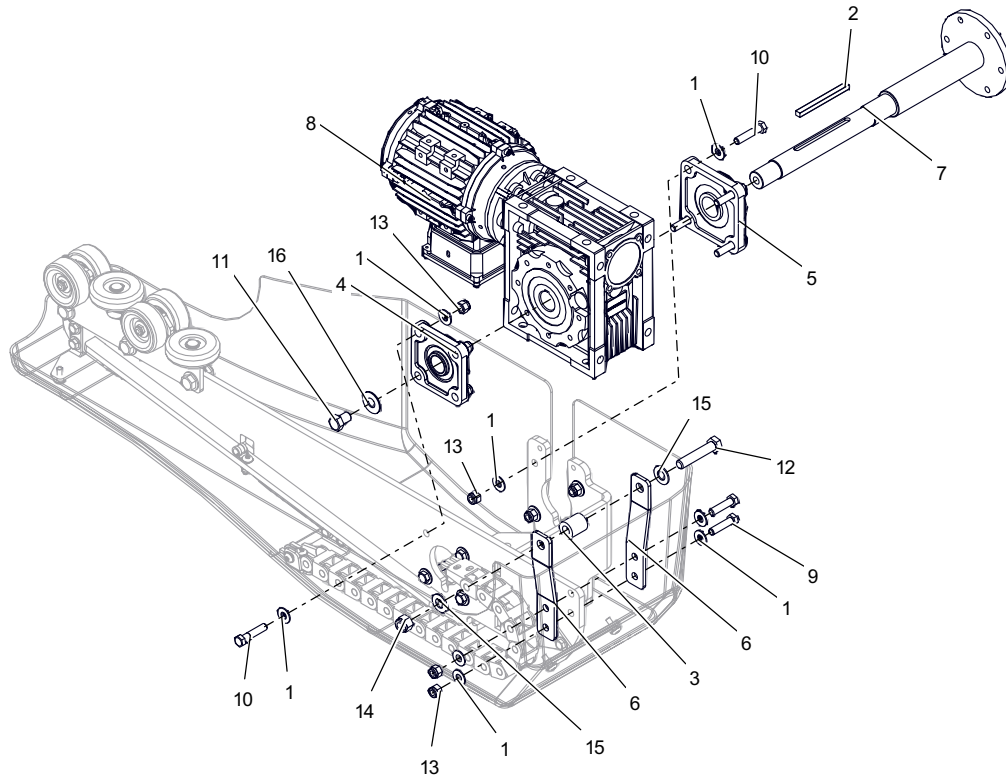
BOM ID	Qty	PartNo	Description
1	1	06150204	SHAFT,DRIVE,BRIDGE,WELDM,TDMSL
2	1	06280082	GEARBOX-MOTOR,RH-DRIVE,BB,TDMSL
3	1	04080640	HARNESS,MOTOR,BACK-B,DRIVE,RH,TDMSL
4	1	04120068	MOTOR, 5HP,1680,IEC71,208/460,TENV,FL
5	1	06280065	GEARBOX,RTANG,20:1,IEC71,MRVC
6	3	03080035	PLUG,DRAIN,MOTOR,PP-PLASTIC
7	1	04450023	STRAIN-RELIEF,M20,.276-.492",GND-CONN
8	1	05020077	NUT,5/8-11,HEX,LOCK,JAM,SST
9	4	05030022	WASHER,M8,FLAT,SST
10	4	05030067	WASHER,3/8,FLAT,7/8-OD,.050THK,SST
11	1	05120029	KEY,8x7x80mm,18-8-SST,UNDERSIZED
12	1	06010075	BEARING,FLANGE,4BOLT,1.000"BORE,SST,ABT
13	1	06030053	PULLEY,TIMING,8M,34T,20W,PLASTIC,TDMSL
14	4	70111-HCS	SCREW,1/4-20x1.25,HHCS,SST
15	4	70146-HCS	SCREW,5/16-18x1.25,HHCS,SST
16	4	70179-HCS	SCREW,3/8-16x.87,HHCS,SST
17	4	71012-NCS	NUT,5/16-18,HEX,LOCK,SST
18	4	71511-FS	WASHER,1/4,FLAT,SST
19	1	71517-FS	WASHER,5/8,FLAT,SST

BACK BRIDGE IDLER PULLEYS-11170023



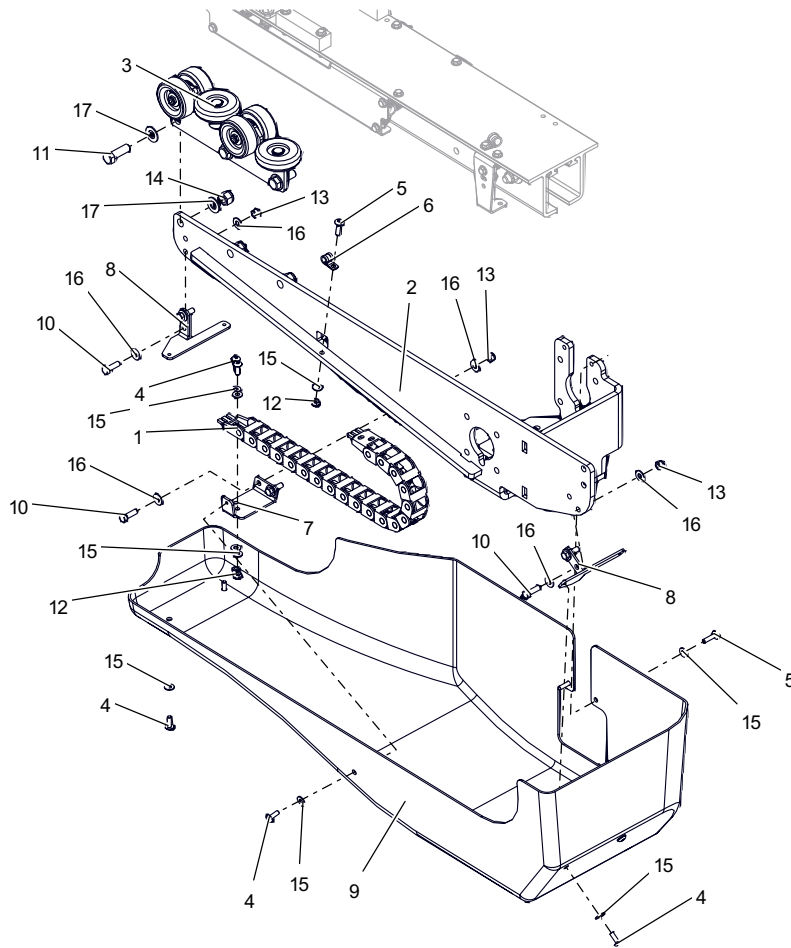
BOM ID	Qty	PartNo	Description
1	1	02030341	DECAL, WARNING, PINCHING-HAZARD
2	2	04080390	CORDSET, 12mm, 3/20AWG, 90°, 3m
3	4	05030016	WASHER, M6, FLAT, SST
4	2	05030018	WASHER, M8, FENDER, SST
5	1	05050049	CLAMP, CUSHION, 3/8", SST
6	2	06030052	PULLEY, IDLER, 5.0"X1.00", FLAT, PLSTC
7	1	06141282-RH	BRACKET, PROX MOUNT, NAV, RH, BRIDGE, LW360P
8	1	06141459	BRACKET, DRIVE, END-PLATE, BRIDGE, TDMSL
9	2	06150195	SHAFT, IDLER, DBL-BEARING, PUL, W/GUSSET
10	1	06480063	FLAG, PULSE, NAVIG, SST, WELDMENT, LW360PLUS
11	4	70106-HCS	SCREW, 1/4-20x.50, HHCS, SST
12	5	70108-SCS	SCREW, 1/4-20x.75, PPHMS, SST
13	2	70143-HCS	SCREW, 5/16-18x.75, HHCS, SST
14	2	70145-HCS	SCREW, 5/16-18x1.00, HHCS, SST
15	4	71011-CCS	NUT, 1/4-20, CPLG, SST
16	1	71011-NCS	NUT, 1/4-20, HEX, LOCK, SST
17	2	71012-NCS	NUT, 5/16-18, HEX, LOCK, SST
18	2	71015-NCS	NUT, 1/2-13, HEX, LOCK, SST
19	2	71515-FS	WASHER, 1/2, FLAT, SST, MIL-SPEC
20	2	93021	PROX, 18mm, SHLD, 10-30VDC, NPN, LONG
21	2	93021B	NUT, LOCKING, PROX, 18mm - COMES WITH PROX

BACK BRIDGE TOP BRUSH ARM GEARBOX-11170024



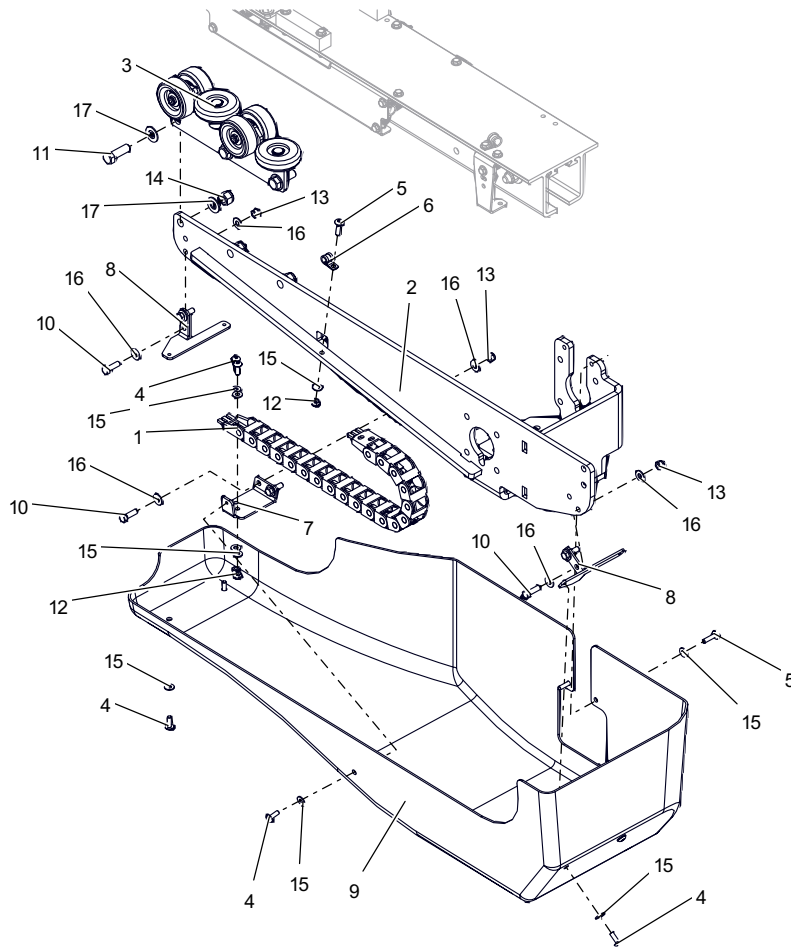
BOM ID	Qty	PartNo	Description
1	20	05030067	WASHER, 3/8, FLAT, 7/8-OD, .050THK, SST
2	1	05120028	KEY, 8x7x93MM, 18-8-SST, UNDERSIZED
3	1	05130016	STAND-OFF, SHELL-SUPPORT, REAR
4	1	06010075	BEARING, FLANGE, 4BOLT, 1.000" BORE, SST, ABT
5	1	06010077	BEARING, FLANGE, 4BOLT, 1.1875" BORE, SST, ABT
6	2	06140735	BRACKET, BELT, SLIDE-PLATE, BB, TANDEM
7	1	06150221	SHAFT, DRIVE, TOP-BRUSH, WELD, SST, TDMSL
8	1	06280076	GEARBOX-MOTOR, ROT, TOP-BRUSH, TDMSL
9	2	70182-HCS	SCREW, 3/8-16x1.50, HHCS, SST
10	8	70183-HCS	SCREW, 3/8-16x1.75, HHCS, SST
11	1	70253-HCS	SCREW, 1/2-13x.75, HHCS, SST
12	1	70261-HCS	SCREW, 1/2-13x2.50, HHCS, SST
13	10	71013-NCS	NUT, 3/8-16, HEX, LOCK, SST
14	1	71015-NCS	NUT, 1/2-13, HEX, LOCK, SST
15	2	71515-FS	WASHER, 1/2, FLAT, SST, MIL-SPEC
16	1	71515-FSS	WASHER, 1/2, FLAT, SST

BACK BRIDGE TOP BRUSH ARM COVER FRAME-11170024



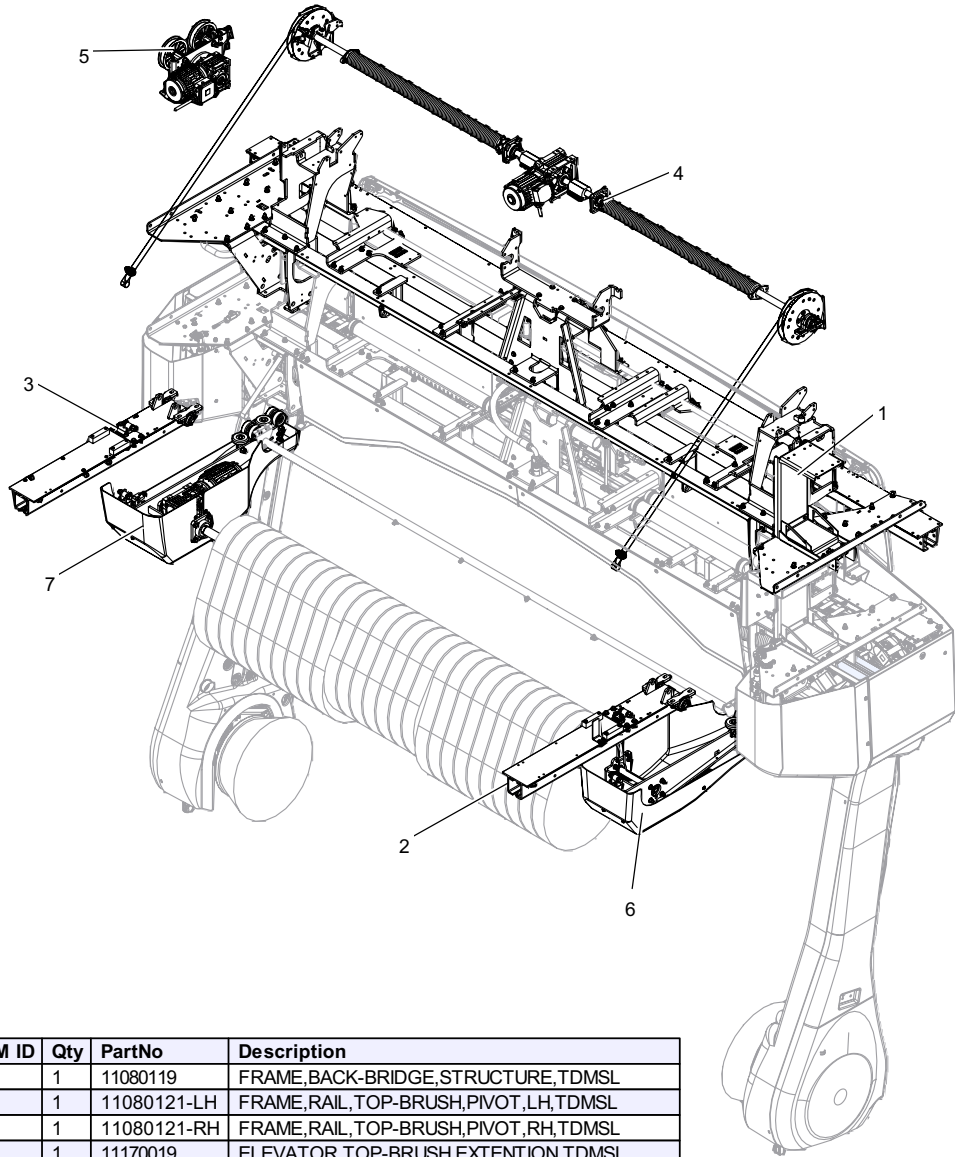
BOM ID	Qty	PartNo	Description
1	1	06050136	ECHAIN, TOP-BRUSH, 18-LINK, IGUS, TDMSL
2	1	06141460-RH	BRACKET, SLIDE-OUT, TOP-BRUSH, RH, AL, TDMSL
3	1	11150061	TRUCK, TOP-BRUSH, SLIDE-OUT, TDMSL
4	7	05040133	SCREW, 1/4-20x.75, PTHMS, SST
5	3	05040201	SCREW, 1/4-20x1.00, PTHMS, SST
6	1	05050049	CLAMP, CUSHION, 3/8", SST
7	1	06141483	BRACKET, ECHAIN, TOP-BRUSH, MOVING, SST, TDMSL
8	2	06141573-RH	BRACKET, COVER, TOP-BRUSH-SLIDE, RH, TDMSL
9	1	06160537-RH	COVER, SLIDE-ARM, TOP-BRUSH, RH, TDMSL
10	6	70145-HCS	SCREW, 5/16-18x1.00, HHCS, SST
11	3	70257-HCS	SCREW, 1/2-13x1.50, HHCS, SST
12	3	71011-NCS	NUT, 1/4-20, HEX LOCK, SST
13	6	71012-NCS	NUT, 5/16-18, HEX LOCK, SST
14	3	71015-NCS	NUT, 1/2-13, HEX LOCK, SST
15	12	71511-FS	WASHER, 1/4, FLAT, SST
16	12	71512-FS	WASHER, 5/16, FLAT, SST
17	6	71515-FS	WASHER, 1/2, FLAT, SST, MIL-SPEC

BACK BRIDGE TOP BRUSH ROTATE COVER-11170024



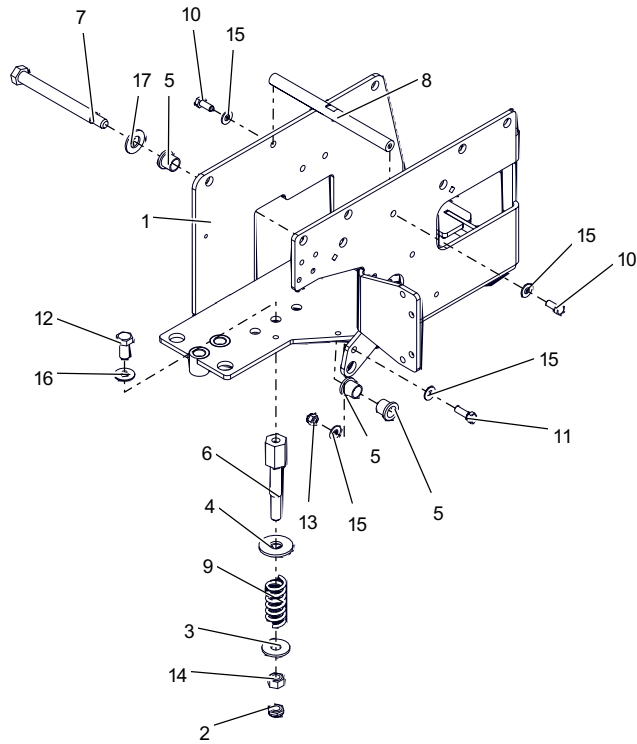
BOM ID	Qty	PartNo	Description
1	1	06050136	ECHAIN, TOP-BRUSH, 18-LINK, IGUS, TDMSL
2	1	06141460-RH	BRACKET, SLIDE-OUT, TOP-BRUSH, RH, AL, TDMSL
3	1	11150061	TRUCK, TOP-BRUSH, SLIDE-OUT, TDMSL
4	7	05040133	SCREW, 1/4-20x.75, PTHMS, SST
5	3	05040201	SCREW, 1/4-20x1.00, PTHMS, SST
6	1	05050049	CLAMP, CUSHION, 3/8", SST
7	1	06141483	BRACKET, ECHAIN, TOP-BRUSH, MOVING, SST, TDMSL
8	2	06141573-RH	BRACKET, COVER, TOP-BRUSH-SLIDE, RH, TDMSL
9	1	06160537-RH	COVER, SLIDE-ARM, TOP-BRUSH, RH, TDMSL
10	6	70145-HCS	SCREW, 5/16-18x1.00, HHCS, SST
11	3	70257-HCS	SCREW, 1/2-13x1.50, HHCS, SST
12	3	71011-NCS	NUT, 1/4-20, HEX LOCK, SST
13	6	71012-NCS	NUT, 5/16-18, HEX LOCK, SST
14	3	71015-NCS	NUT, 1/2-13, HEX LOCK, SST
15	12	71511-FS	WASHER, 1/4, FLAT, SST
16	12	71512-FS	WASHER, 5/16, FLAT, SST
17	6	71515-FS	WASHER, 1/2, FLAT, SST, MIL-SPEC

BACK BRIDGE COMPONENTS-09140039



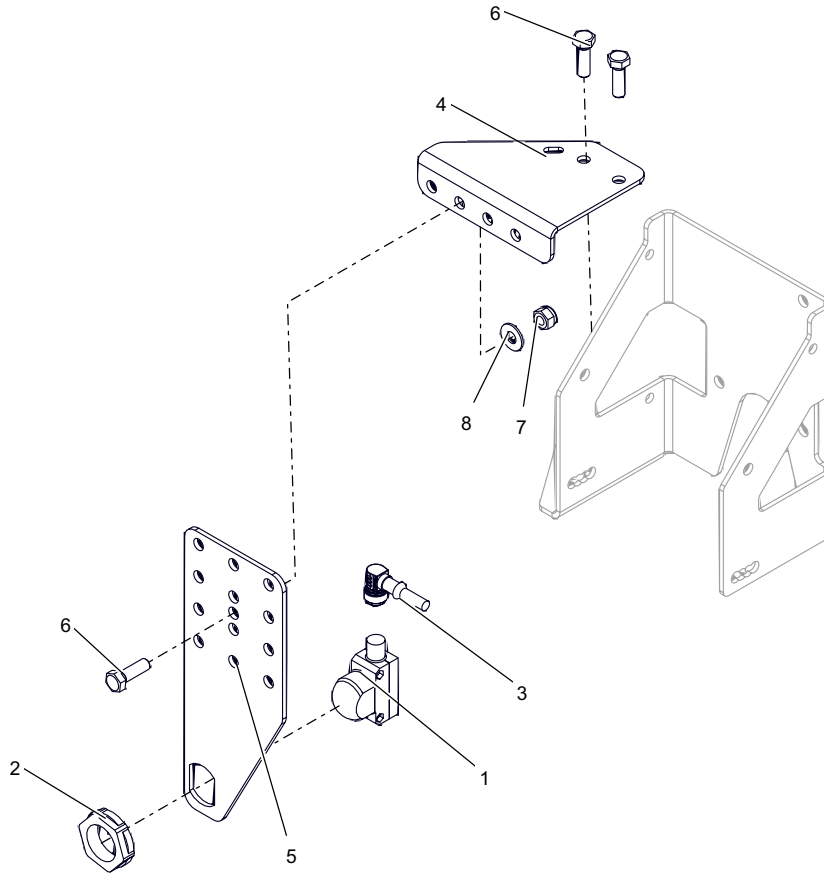
BOM ID	Qty	PartNo	Description
1	1	11080119	FRAME,BACK-BRIDGE,STRUCTURE,TDMSL
2	1	11080121-LH	FRAME,RAIL, TOP-BRUSH,PIVOT,LH,TDMSL
3	1	11080121-RH	FRAME,RAIL, TOP-BRUSH,PIVOT,RH,TDMSL
4	1	11170019	ELEVATOR, TOP-BRUSH,EXTENTION,TDMSL
5	1	11170023-RH	DRIVE, BRIDGE, GEARMOTOR, BACK-RH, TDMSL
6	1	11170024-LH	DRIVE, TOP-BRUSH, ROTATE, LEFT, TDMSL
7	1	11170024-RH	DRIVE, TOP-BRUSH, ROTATE, RIGHT, TDMSL

RIGHT HAND TROLLEY FRAME-11220006



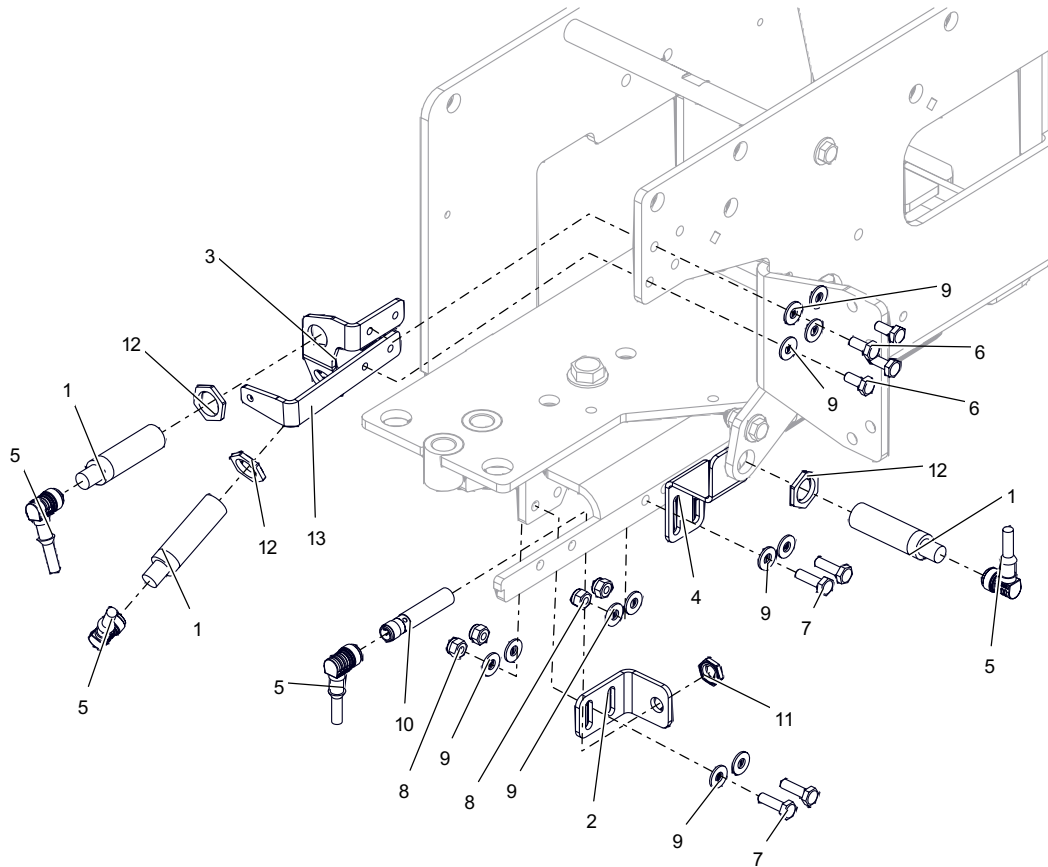
BOM ID	Qty	PartNo	Description
1	1	06250159-RH	FRAME, TROLLEY, SIDE-WASHER, RIGHT, TDMSL
2	1	05020076	NUT, 1/2-13, HEX LOCK, JAM, SST
3	1	05030042	WASHER, M12, FENDER, SST
4	1	05030062	WASHER, 5/8x1.75x.134THK, FLAT, SST
5	3	06010078	BUSHING, FLANGE, .625IDx.75ODx.75LG, BR
6	1	06150227	SHAFT, SPRING, SIDE-ARCH-TILT, SST, TDMSL
7	1	06150236	SHAFT, TROLLEY, PIVOT, SIDE-ARCH, TDMSL
8	1	06190172	BAR, ROUND, BB-TRLY, TDMSL
9	1	06350002	SPRING, CPRSN, TROLLEY, TIRE-PRESSURE
10	2	70143-HCS	SCREW, 5/16-18x.75, HHCS, SST
11	1	70145-HCS	SCREW, 5/16-18x1.00, HHCS, SST
12	1	70255-HCS	SCREW, 1/2-13x1.00, HHCS, SST
13	1	71012-NCS	NUT, 5/16-18, HEX LOCK, SST
14	1	71015-HFS	NUT, 1/2-20, HEX, SST
15	4	71512-FS	WASHER, 5/16, FLAT, SST
16	1	71515-FS	WASHER, 1/2, FLAT, SST, MIL-SPEC
17	1	71517-FS	WASHER, 5/8, FLAT, SST

BACK BRIDGE WHEEL SCRUB PHOTO EYE-11220006



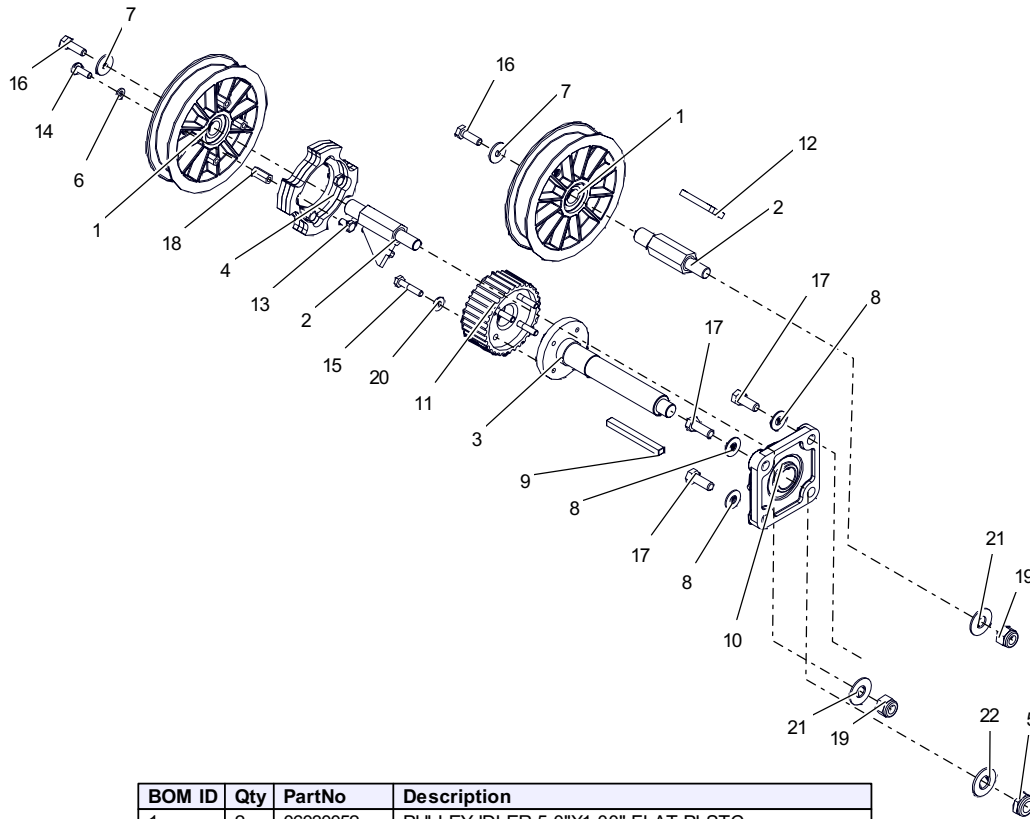
BOM ID	Qty	PartNo	Description
1	1	04070004	PHOTO-EYE, THRU-BEAM, RCVR, 30mm, BANNER-QS
2	1	04070004B	04070004B
3	1	04080329	CORSET, 12mm, 5/22AWG, 90°, 3m
4	1	06141497-RH	BRACKET, WHEEL-DET, RIGHT, SIDE-ARCH, TDMSL
5	1	06240996	PLATE, PHOTO-EYE-MNT, WHEEL-DET, TDMSL
6	3	70145-HCS	SCREW, 5/16-18x1.00, HHCS, SST
7	1	71012-NCS	NUT, 5/16-18, HEX, LOCK, SST
8	1	71512-FS	WASHER, 5/16, FLAT, SST

RIGHT HAND TROLLEY PROX SENSORS-11220006



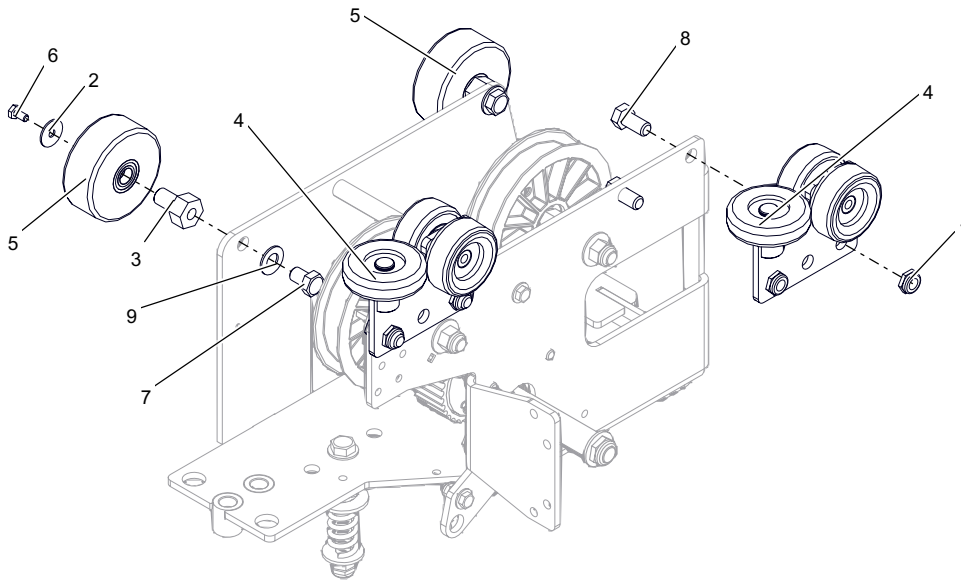
BOM ID	Qty	PartNo	Description
1	3	93021	PROX,18mm,SHLD,10-30VDC,NPN,LONG
2	1	06141511	BRACKET,PROX,SIDE-ARCH-IMPACT,SST,TDMSL
3	1	06141512-RH	BRACKET,PROX,SIDE-ARCH-NAV,SST,RH,TDMSL
4	1	06480070	FLAG,BRUSH-CONTACT,DETECT,SST,TDMSL
5	4	34370	CORSET,12mm,3/20AWG,90°,2m
6	4	70107-HCS	SCREW,1/4-20X.62,HHCS,SST
7	4	70109-HCS	SCREW,1/4-20x.87,HHCS,SST
8	4	71011-NCS	NUT,1/4-20,HEX,LOCK,SST
9	12	71511-FS	WASHER,1/4,FLAT,SST
10	1	93020	PROX,12mm,SHLD,10-30VDC,NPN
11	1	93020B	PROX,12mm,SHLD,10-30VDC,NPN
12	3	93021B	NUT,LOCKING,PROX,18mm - COMES WITH PROX
13	1	06141548	BRACKET,COVER,SIDE-ARCH-TRLY,TDMSL

RIGHT HAND TROLLEY TIMING PULLEYS IDLER-11220006



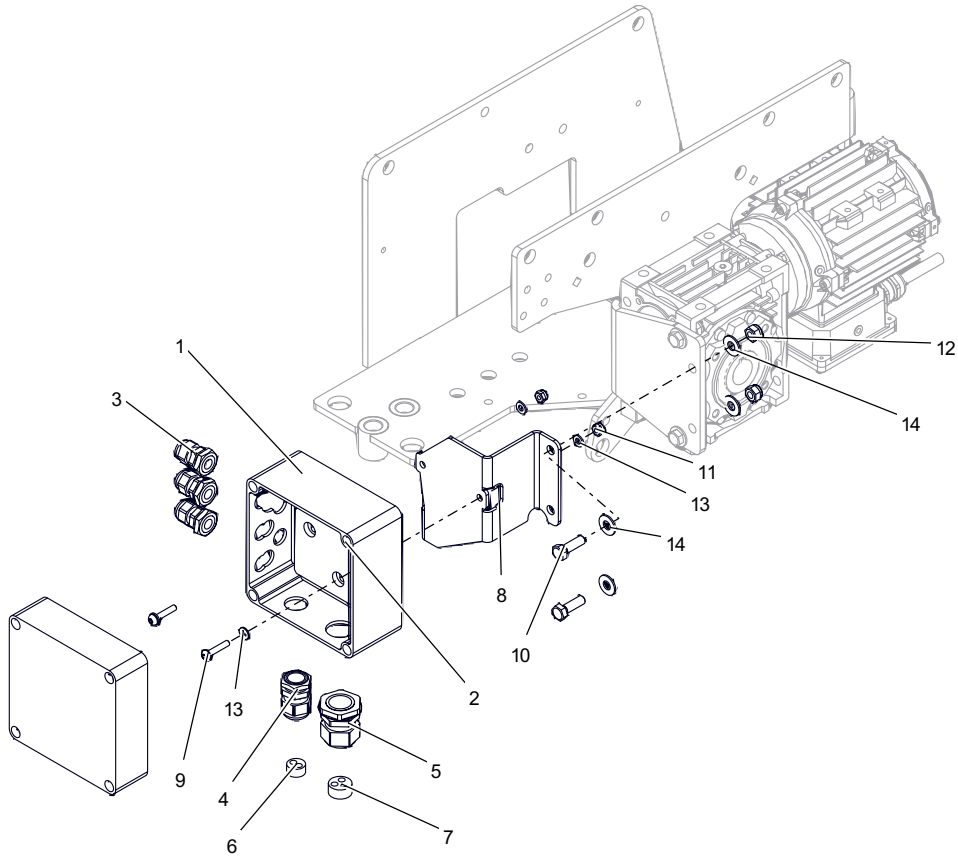
BOM ID	Qty	PartNo	Description
1	2	06030052	PULLEY, IDLER, 5.0"X1.00", FLAT, PLSTC
2	2	06150195	SHAFT, IDLER, DBL-BEARING, PUL, W/GUSSET
3	1	06150225	SHAFT, DRIVE, SIDE-ARCH, WELDM, TDMSL
4	1	06480063	FLAG, PULSE, NAVIG, SST, WELDMNT, LW360PLUS
5	1	05020077	NUT, 5/8-11, HEX, LOCK, JAM, SST
6	4	05030016	WASHER, M6, FLAT, SST
7	2	05030018	WASHER, M8, FENDER, SST
8	3	05030067	WASHER, 3/8, FLAT, 7/8-OD, .050THK, SST
9	1	05120048	KEY, 7mmx8mmx80mm, STL
10	1	06010075	BEARING, FLANGE, 4BOLT, 1.000" BORE, SST, ABT
11	1	06030053	PULLEY, TIMING, 8M, 34T, 20W, PLASTIC, TDMSL
12	1	06240908	PLATE, GUSSET, SHAFT, DBL-BEARING, SST
13	4	70106-HCS	SCREW, 1/4-20x.50, HHCS, SST
14	4	70108-SCS	SCREW, 1/4-20x.75, PPHMS, SST
15	4	70111-HCS	SCREW, 1/4-20x1.25, HHCS, SST
16	2	70145-HCS	SCREW, 5/16-18x1.00, HHCS, SST
17	3	70180-HCS	SCREW, 3/8-16x1.00, HHCS, SST
18	4	71011-CCS	NUT, 1/4-20, CPLG, SST
19	2	71015-NCS	NUT, 1/2-13, HEX, LOCK, SST
20	4	71511-FS	WASHER, 1/4, FLAT, SST
21	2	71515-FSS	WASHER, 1/2, FLAT, SST
22	1	71517-FS	WASHER, 5/8, FLAT, SST

RIGHT HAND TROLLEY TRUCKS ROLLERS-11220006



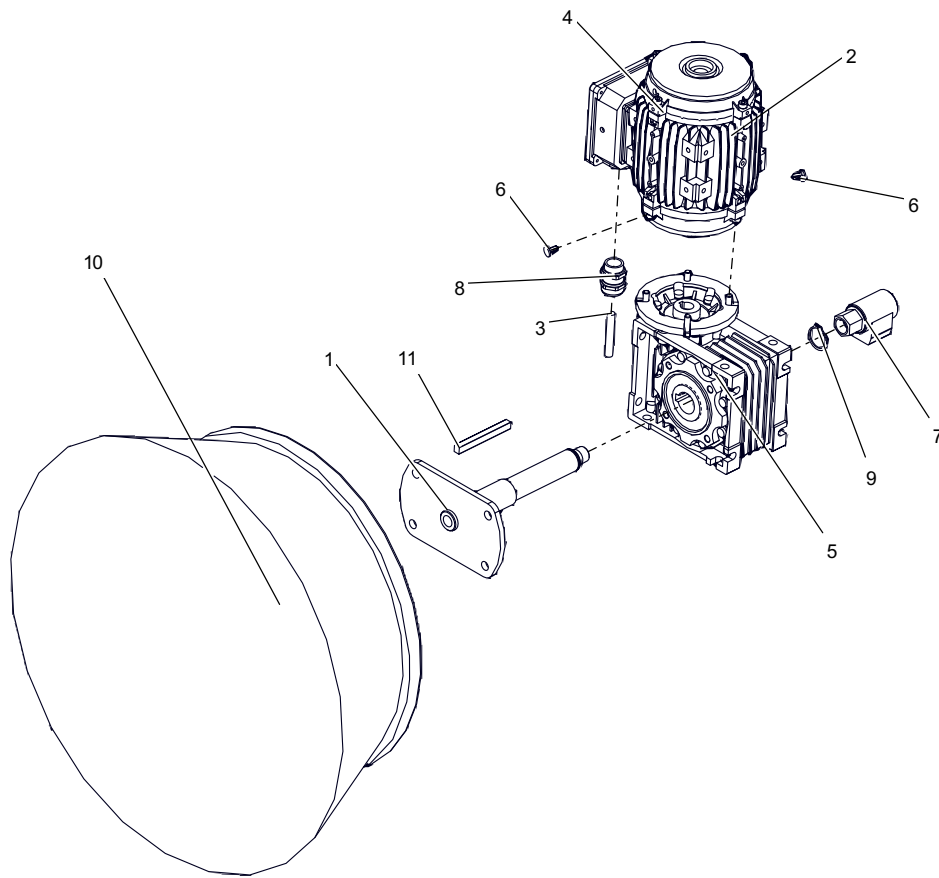
BOM ID	Qty	PartNo	Description
1	4	05020076	NUT, 1/2-13, HEX, LOCK, JAM, SST
2	2	05030040	WASHER, 1/4x1.00", FENDER, SST
3	2	06150238	SHAFT, ROLLER, TROLLEY, SIDE-ARCH, TDMSL
4	2	11150051	TRUCK, TROLLEY, SIDE-BRUSH, ICON
5	2	11150063	ROLLER, TROLLEY, SIDE-ARCH, TDMSL
6	2	70106-HCS	SCREW, 1/4-20x.50, HHCS, SST
7	2	70253-HCS	SCREW, 1/2-13x.75, HHCS, SST
8	4	70255-HCS	SCREW, 1/2-13x1.00, HHCS, SST
9	2	71515-FS	WASHER, 1/2, FLAT, SST, MIL-SPEC

RIGHT HAND TROLLEY JUNCTION BOX-11220006



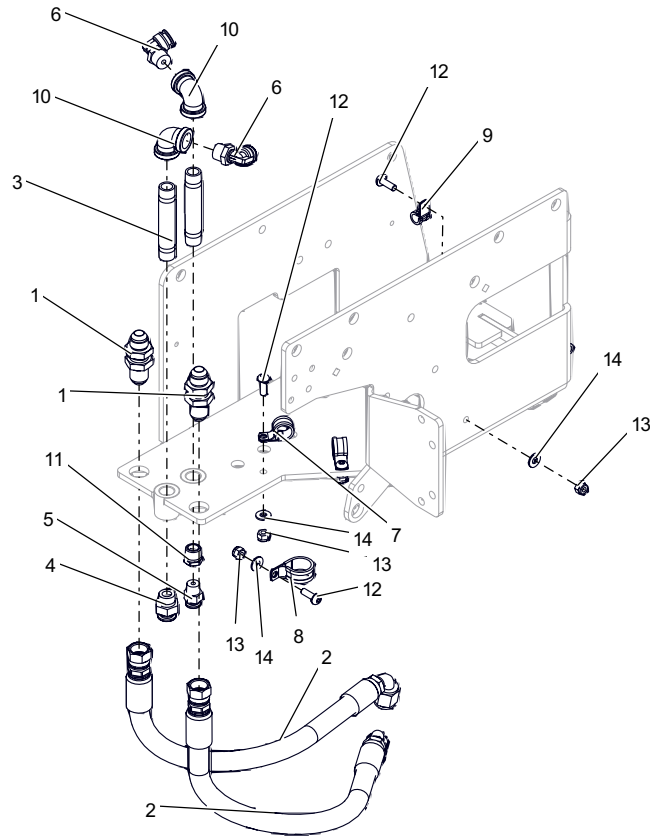
BOM ID	Qty	PartNo	Description
1	1	11010363	JUNCTION-BOX,SIDE-ARCH,RH,PORTLAND
2	1	04090176	ENCLOSURE, 5X5X4,POLYCARB,NEMA-4X,UL
3	3	04450012	STRAIN-RELIEF,M16,..177-.394",PLSTC
4	1	04450016	STRAIN-RELIEF,M20,..276-.512",PLSTC
5	1	04450018	STRAIN-RELIEF,M25,..354-.669",PLSTC
6	1	04450029	STRAIN-RELIEF-BUSHING,M20,2-HOLE,..236-DIA
7	1	04450030	STRAIN-RELIEF-BUSHING,M25,3-HOLE,..236-DIA
8	1	06141547-RH	BRACKET,J-BOX,RH,SIDE-ARCH-TRLY,TDMSL
9	2	70064-SFS	SCREW,#10-32x1.00,PHMS,SST
10	2	70145-HCS	SCREW,5/16-18x1.00,HHCS,SST
11	2	71009-NFS	NUT,#10-32,HEX,LOCK,SST
12	2	71012-NCS	NUT,5/16-18,HEX,LOCK,SST
13	4	71509-FS	WASHER,#10,FLAT,SST
14	4	71512-FS	WASHER,5/16,FLAT,SST

BACK BRIDGE WHEEL SCRUB BRUSH GEARBOX-11130034



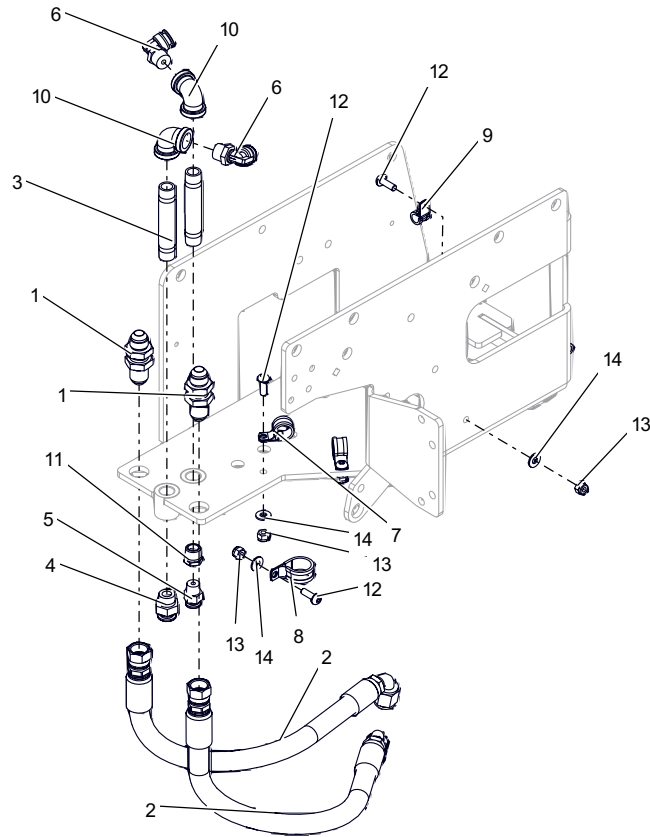
BOM ID	Qty	PartNo	Description
1	1	06150223	SHAFT, WHEEL- SCRUBB, BRUSH, SIDE-ARCH, TDMSL
2	1	06280078	GEARBOX-MTR, WHL-SCRUB, TDMSL, CONFIG
3	1	04080649	HARNES, LH, WHL, SCRUB, MOTOR, TDMSL
4	1	04120074	MOTOR, .5HP, 1680, IEC71, 208/460, TENV, SR
5	1	06280068	GEARBOX, RTANG, 15:1, IEC71, MRVC, SST-BORE
6	2	03080035	PLUG, DRAIN, MOTOR, PP-PLASTIC
7	1	03240018	SWIVEL, 90°, 1/2FNPTx3/8FNPT
8	1	04450023	STRAIN-RELIEF, M20, .276-.492", GND-CONN
9	1	05120049	RETAINING-RING, 24mm, EXT, SST
10	1	06500074	BRUSH, 15"DIA, WHEEL-SCRUB
11	1	05120052	KEY, 8x7x75mm, 18-8-SST, UNDERSIZED

BACK BRIDGE WHEEL SCRUB HOSE CONNECTIONS-11220006



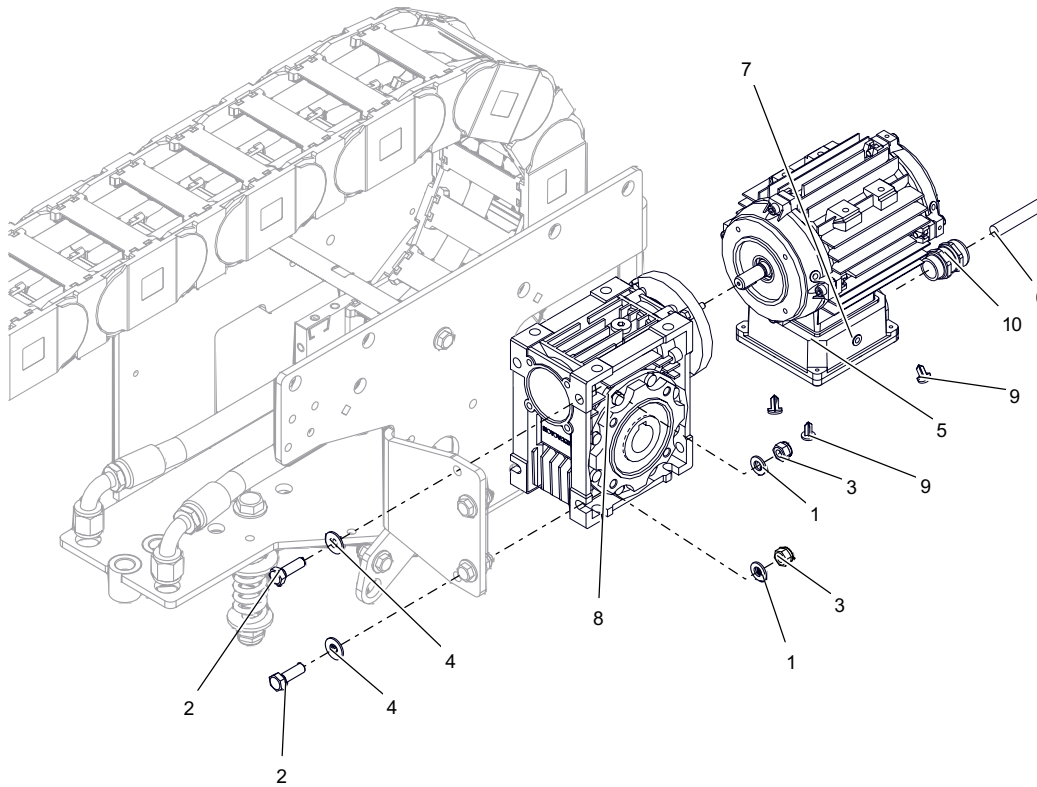
BOM ID	Qty	PartNo	Description
1	2	03250029	HOSE-FTG,#8JICx8JIC,BULKHEAD,ZNC-PLD
2	2	03340144	HOSE,WHEEL-CLEAN,TOP-FEED,HP,1/2",TDMSL
3	2	03130082	NIPPLE,3/8NPTx3.50,SC40,SST
4	1	03320071	TUBE-FTG,CONN,1/2Tx3/8NPT,PUSH,SST
5	1	03320073	TUBE-FTG,CONN,3/8Tx1/4NPT,PUSH,SST
6	2	03320078	TUBE-FTG,ELBOW,SWVL,1/2Tx3/8NPT,PUSH,SST
7	2	05050008	CLAMP,CUSHION,3/4",SST
8	1	05050024	CLAMP,CUSHION,1",SST
9	2	05050049	CLAMP,CUSHION,3/8",SST
10	2	67404-4S	ELBOW,3/8NPT,90DEG,SC40,SST,SP114
11	1	67702-S	BUSHING,3/8NPTx1/4NPT,SST
12	5	70108-SCS	SCREW,1/4-20x.75,PPHMS,SST
13	5	71011-NCS	NUT,1/4-20,HEX,LOCK,SST
14	5	71511-FS	WASHER,1/4,FLAT,SST

RIGHT HAND WHEEL CLEANER HOSE CONNECTIONS



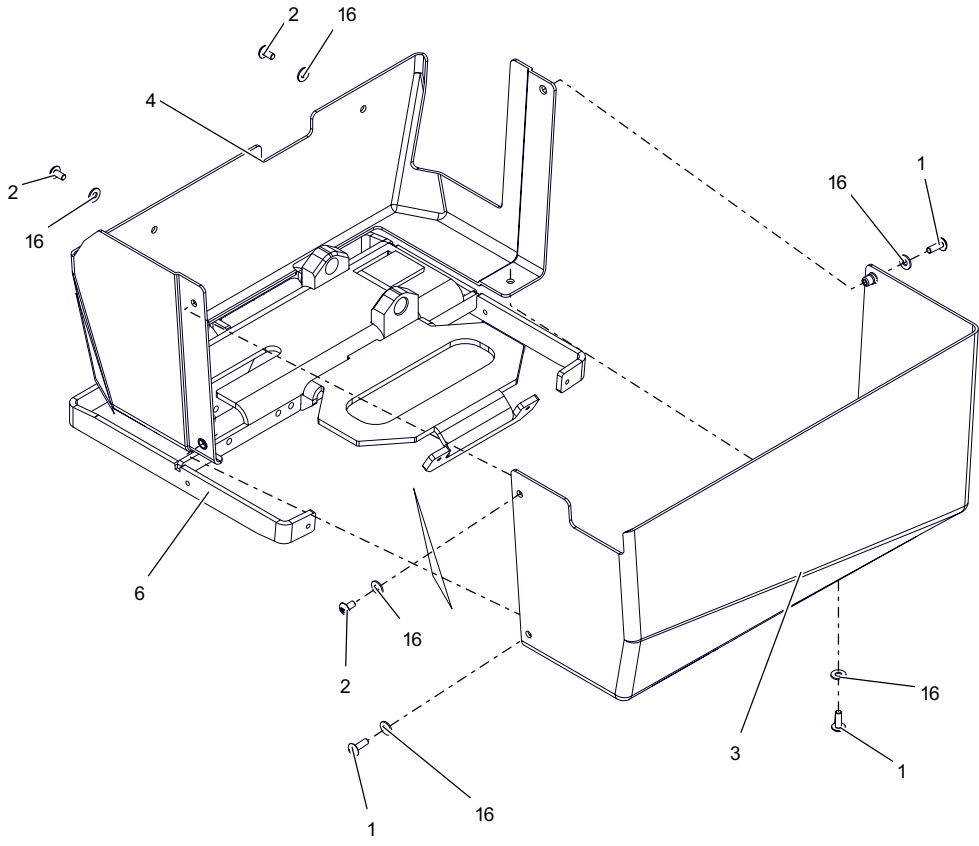
BOM ID	Qty	PartNo	Description
1	2	03250029	HOSE-FTG,#8JICx8JIC,BULKHEAD,ZNC-PLD
2	2	03340144	HOSE,WHEEL-CLEAN,TOP-FEED,HP,1/2",TDMSL
3	2	03130082	NIPPLE,3/8NPTx3.50,SC40,SST
4	1	03320071	TUBE-FTG,CONN,1/2Tx3/8NPT,PUSH,SST
5	1	03320073	TUBE-FTG,CONN,3/8Tx1/4NPT,PUSH,SST
6	2	03320078	TUBE-FTG,ELBOW,SWVL,1/2Tx3/8NPT,PUSH,SST
7	2	05050008	CLAMP,CUSHION,3/4",SST
8	1	05050024	CLAMP,CUSHION,1",SST
9	2	05050049	CLAMP,CUSHION,3/8",SST
10	2	67404-4S	ELBOW,3/8NPT,90DEG,SC40,SST,SP114
11	1	67702-S	BUSHING,3/8NPTx1/4NPT,SST
12	5	70108-SCS	SCREW,1/4-20x.75,PPHMS,SST
13	5	71011-NCS	NUT,1/4-20,HEX,LOCK,SST
14	5	71511-FS	WASHER,1/4,FLAT,SST

RIGHT HAND TROLLEY GEARBOX-11220006



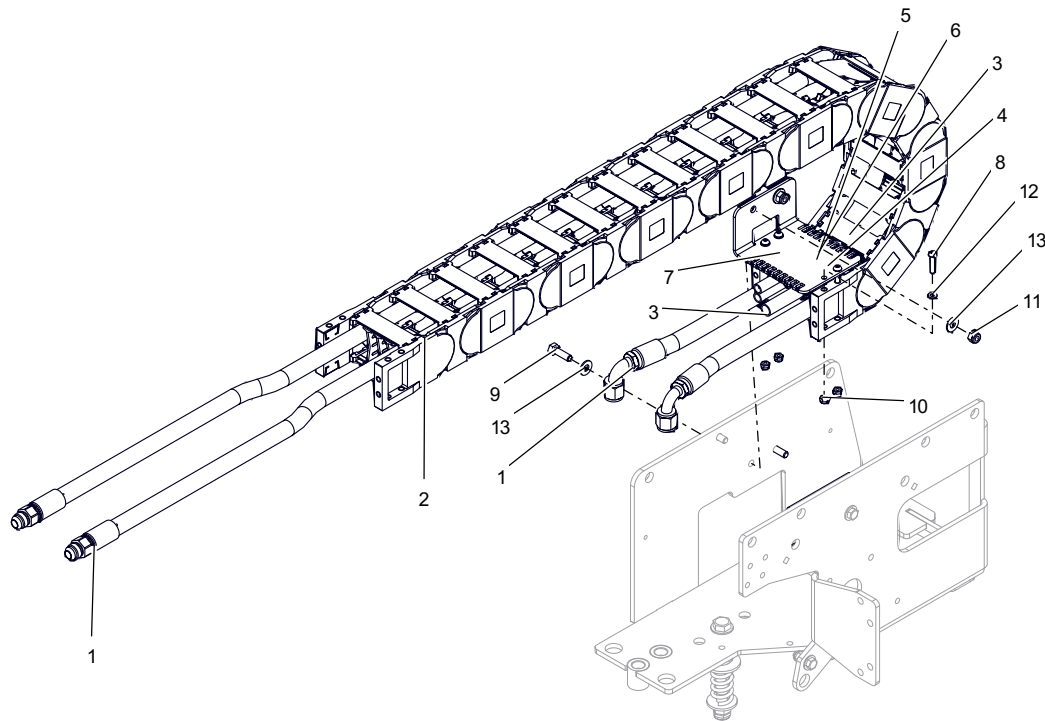
BOM ID	Qty	PartNo	Description
1	2	05030022	WASHER,M8,FLAT,SST
2	2	70145-HCS	SCREW,5/16-18x1.00,HHCS,SST
3	2	71012-NCS	NUT,5/16-18,HEX,LOCK,SST
4	2	71512-FS	WASHER,5/16,FLAT,SST
5	1	06280083-RH	GRBX-MTR,RH,TRLY,SIDE-WASH,TDMSL
6	1	04080646	HARNESS,RH-SIDE-ARCH,MOTOR,TDMSL
7	1	04120072	MOTOR,.25HP,1800,IEC63,208/230/460V,TENV
8	1	06280066	GEARBOX,RTANG,50:1,IEC63,MRVC
9	3	03080035	PLUG,DRAIN,MOTOR,PP-PLASTIC
10	1	04450023	STRAIN-RELIEF,M20,.276-.492",GND-CONN

RIGHT HAND TROLLEY COVER FRAME-11220006



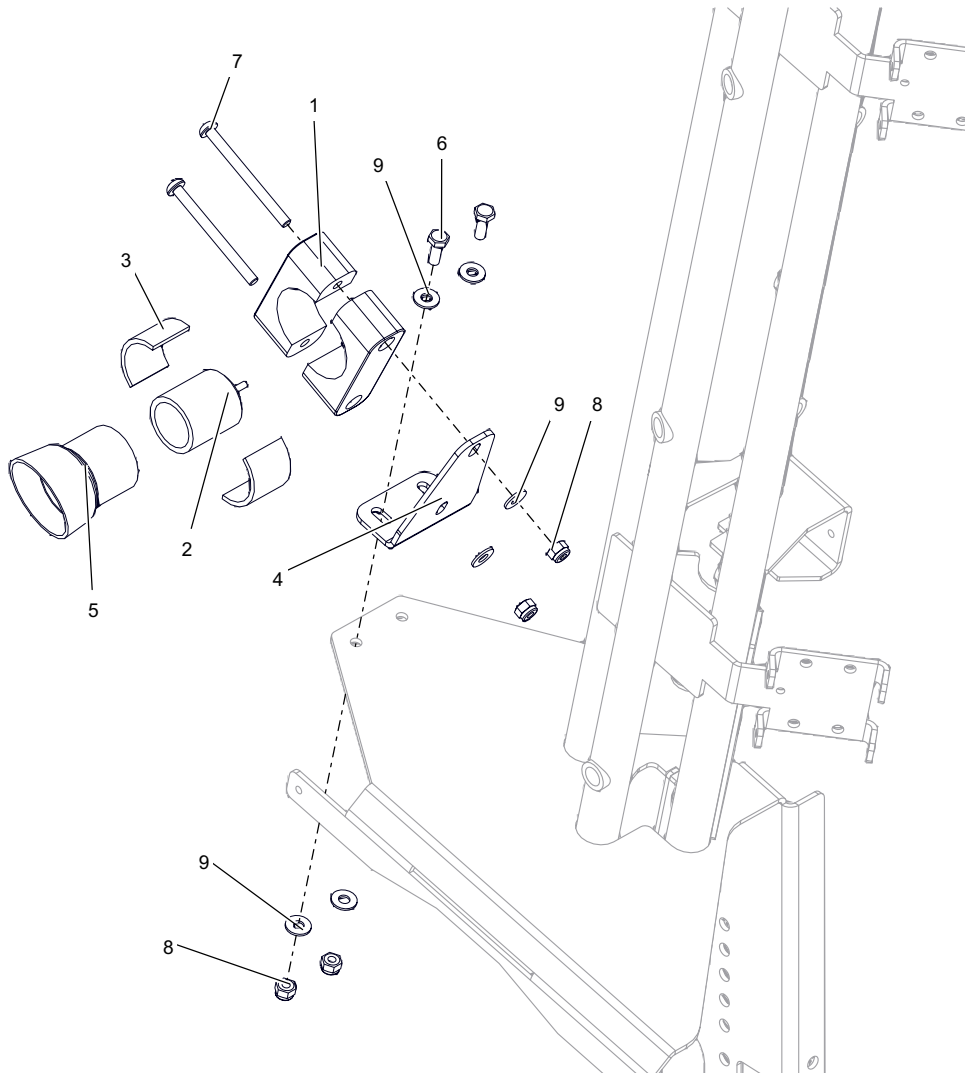
BOM ID	Qty	PartNo	Description
1	3	05040133	SCREW, 1/4-20x.75,PTHMS,SST
2	3	05040260	SCREW, 1/4-20x.50,PTHMS,SST
3	2	06160547	COVER, TROLLEY, SIDE-ARCH, BB, RH-ENT,
4	1	06160548	COVER, TROLLEY, SIDE-ARCH, BB, RH-EXT, TDMSL
6	1	06250160-RH	FRAME, SIDE-WASHER, PIVOT, RIGHT, TDMSL
16	6	71511-FS	WASHER, 1/4, FLAT, SST

RIGHT HAND TROLLEY ECHAIN-11220006



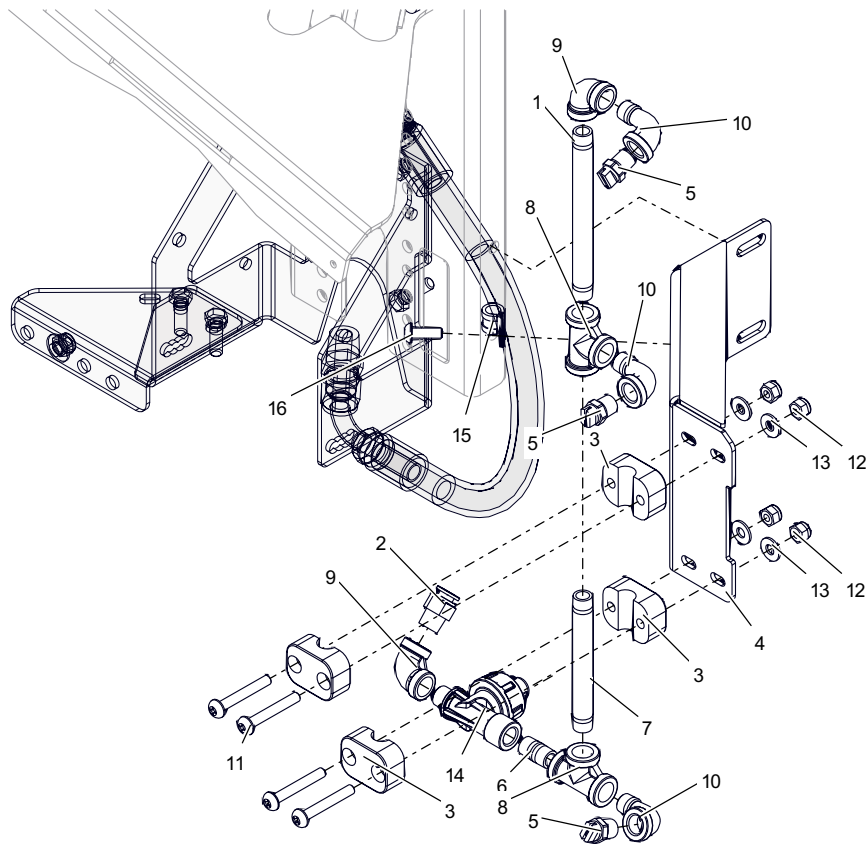
BOM ID	Qty	PartNo	Description
1	2	03340140	HOSE,SIDE-ARCH,ECHAIN,HP,1/2",TDMSL
2	1	06050137	E-CHAIN,SIDE-WASHER,16-LINK,IGUS,TDMSL
3	2	01120012	TUBING,5/8ODX.06W,70PSI@70F,LLDPE,BLACK
4	1	01120016	TUBING,3/8ODX.06W,230PSI@70F,LLDPE,BLACK
5	1	01120019	TUBING,1/2ODX.06W,150PSI@70F,LLDPE,BLACK
6	1	01120023	TUBING,1/2ODX.06W,150PSI@70F,LLDPE,BLUE
7	1	06141513	BRACKET,ECHAIN,SIDE-ARCH,TRLY,SST,TDMSL
8	4	70064-SFS	SCREW,#10-32x1.00,PHMS,SST
9	2	70145-HCS	SCREW,5/16-18x1.00,HHCS,SST
10	4	71009-NFS	NUT,#10-32,HEX,LOCK,SST
11	2	71012-NCS	NUT,5/16-18,HEX,LOCK,SST
12	4	71509-FS	WASHER,#10,FLAT,SST
13	4	71512-FS	WASHER,5/16,FLAT,SST

BACK BRIDGE SIDE ARCH ULTRASONICS-11220006



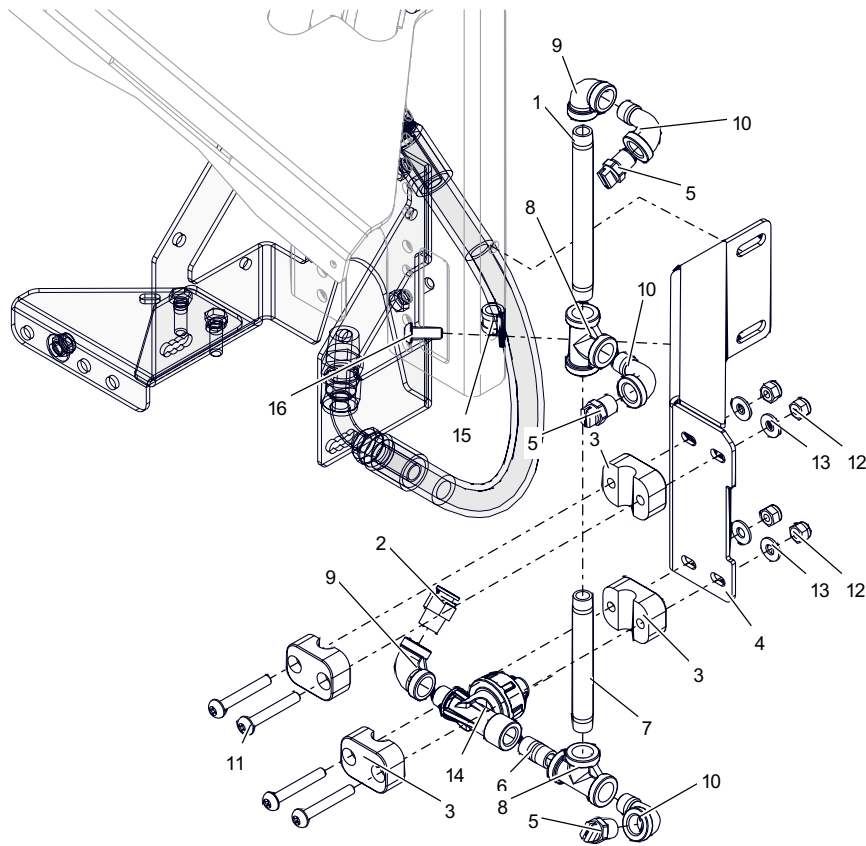
BOM ID	Qty	PartNo	Description
1	1	05050067	CLAMP,PIPE,1-1/2,PP,STANDARD
2	1	04420044	SENSOR,ULTRASONIC,75kHz,22'CBL,1.5"DIA
3	2	06060027	CUSHION,1/8THK,ULTRASONIC-MOUNT,SILICONE
4	1	06141590	BRACKET,SENSOR,U-SONIC,SIDE-ARCH,TDMSL
5	1	06160293	COVER,SENSOR-SHIELD,2x2.75",GRAY,VINYL
6	2	70108-HCS	SCREW,1/4-20x.75,HHCS,SST
7	2	70118-SCS	SCREW,1/4-20x3.00,PPHMS,SST
8	4	71011-NCS	NUT,1/4-20,HEX LOCK,SST
9	6	71511-FS	WASHER,1/4,FLAT,SST

BACK BRIDGE WHEEL CLEANER MANIFOLD-11250326



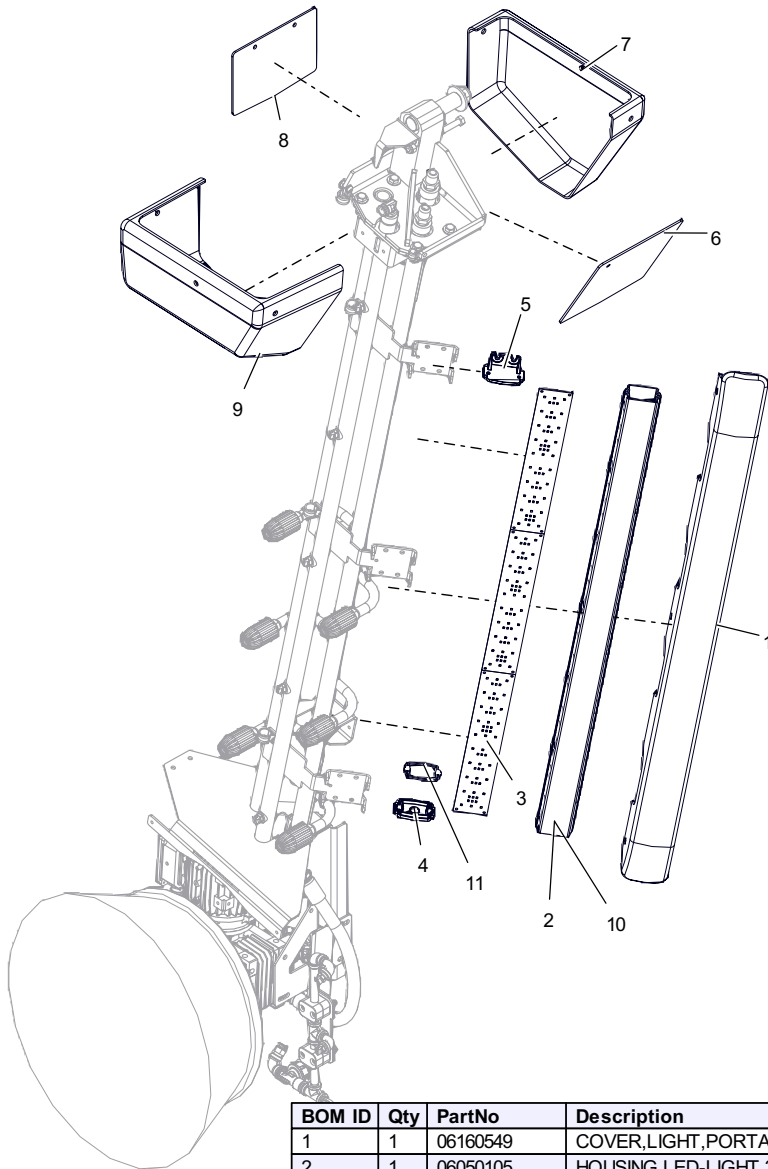
BOM ID	Qty	PartNo	Description
1	1	03130084	NIPPLE, 1/4NPTx5.00, SC40, SST
2	1	03320073	TUBE-FTG, CONN, 3/8Tx1/4NPT, PUSH, SST
3	4	05050065A	CLAMP, PIPE, 1/4, PP, STANDARD-HALF
4	1	06141499-RH	BRACKET, MOUNT, RH, WHEEL-CHEM-APPL, TDMSL
5	3	64234-4M	NOZZLE, FAN, 6510, 1/4"NPT, SST
6	1	67011-4S	NIPPLE, 1/4NPTxCLOSE, SC40, SST
7	1	67011-F4S	NIPPLE, 1/4NPTx4.00, SC40, SST
8	2	67105-4S	TEE, 1/4NPT, PIPE, SC40, SST, SP114
9	2	67402-4S	ELBOW, 1/4NPT, 90DEG, SC40, SST, SP114
10	3	67487-4S	ELBOW, STREET, 1/4NPT, 90DEG, SC40, SST
11	4	70113-SCS	SCREW, 1/4-20x1.75, PPHMS, SST
12	5	71011-NCS	NUT, 1/4-20, HEX LOCK, SST
13	5	71511-FS	WASHER, 1/4, FLAT, SST
14	1	03010034	VALVE, CHECK, DIAPH, 1/4"Mx1/4", 8PSI
15	1	05050049	CLAMP, CUSHION, 3/8", SST
16	1	70108-SCS	SCREW, 1/4-20x.75, PPHMS, SST

BACK BRIDGE WHEEL SCRUB MANIFOLD-11250326



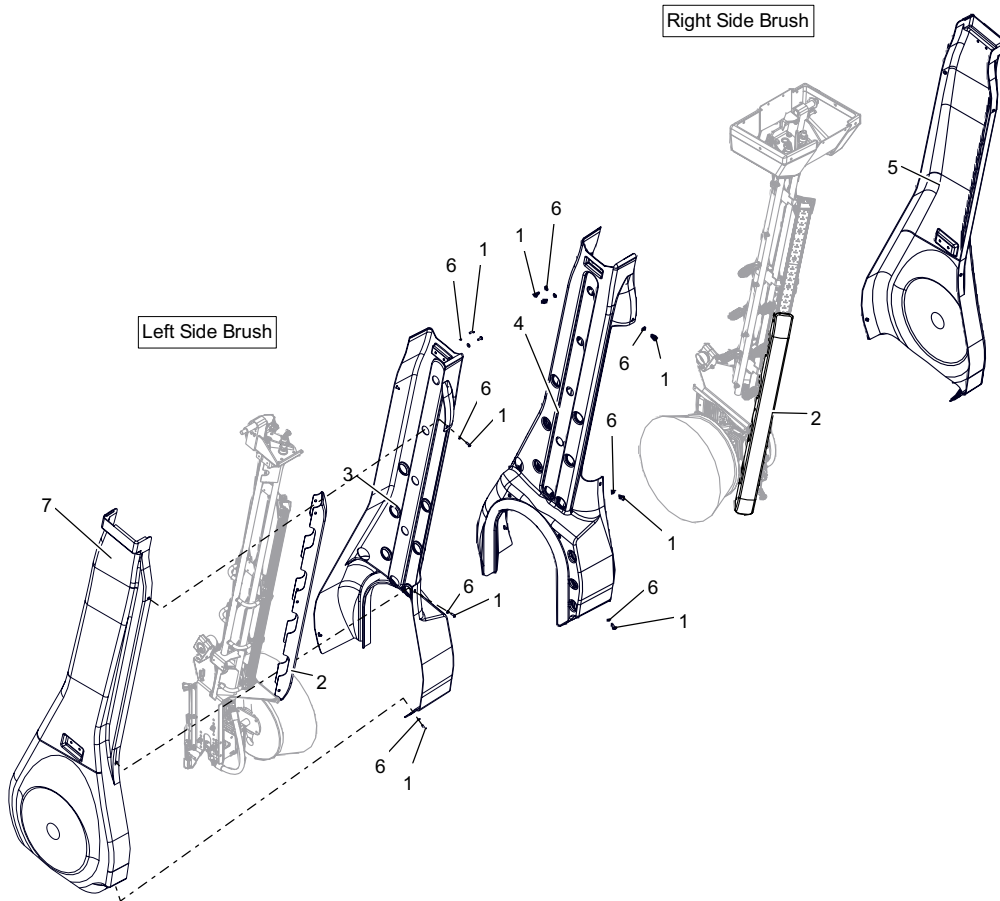
BOM ID	Qty	PartNo	Description
1	1	03130084	NIPPLE, 1/4NPTx5.00, SC40, SST
2	1	03320073	TUBE-FTG, CONN, 3/8Tx1/4NPT, PUSH, SST
3	4	05050065A	CLAMP, PIPE, 1/4, PP, STANDARD-HALF
4	1	06141499-RH	BRACKET, MOUNT, RH, WHEEL-CHEM-APPL, TDMSL
5	3	64234-4M	NOZZLE, FAN, 6510, 1/4"NPT, SST
6	1	67011-4S	NIPPLE, 1/4NPTxCLOSE, SC40, SST
7	1	67011-F4S	NIPPLE, 1/4NPTx4.00, SC40, SST
8	2	67105-4S	TEE, 1/4NPT, PIPE, SC40, SST, SP114
9	2	67402-4S	ELBOW, 1/4NPT, 90DEG, SC40, SST, SP114
10	3	67487-4S	ELBOW, STREET, 1/4NPT, 90DEG, SC40, SST
11	4	70113-SCS	SCREW, 1/4-20x1.75, PPHMS, SST
12	5	71011-NCS	NUT, 1/4-20, HEX LOCK, SST
13	5	71511-FS	WASHER, 1/4, FLAT, SST
14	1	03010034	VALVE, CHECK, DIAPH, 1/4"Mx1/4", 8PSI
15	1	05050049	CLAMP, CUSHION, 3/8", SST
16	1	70108-SCS	SCREW, 1/4-20x.75, PPHMS, SST

BACK BRIDGE SIDE ARCH BREAKAWAY COVER LED BAR-11220006



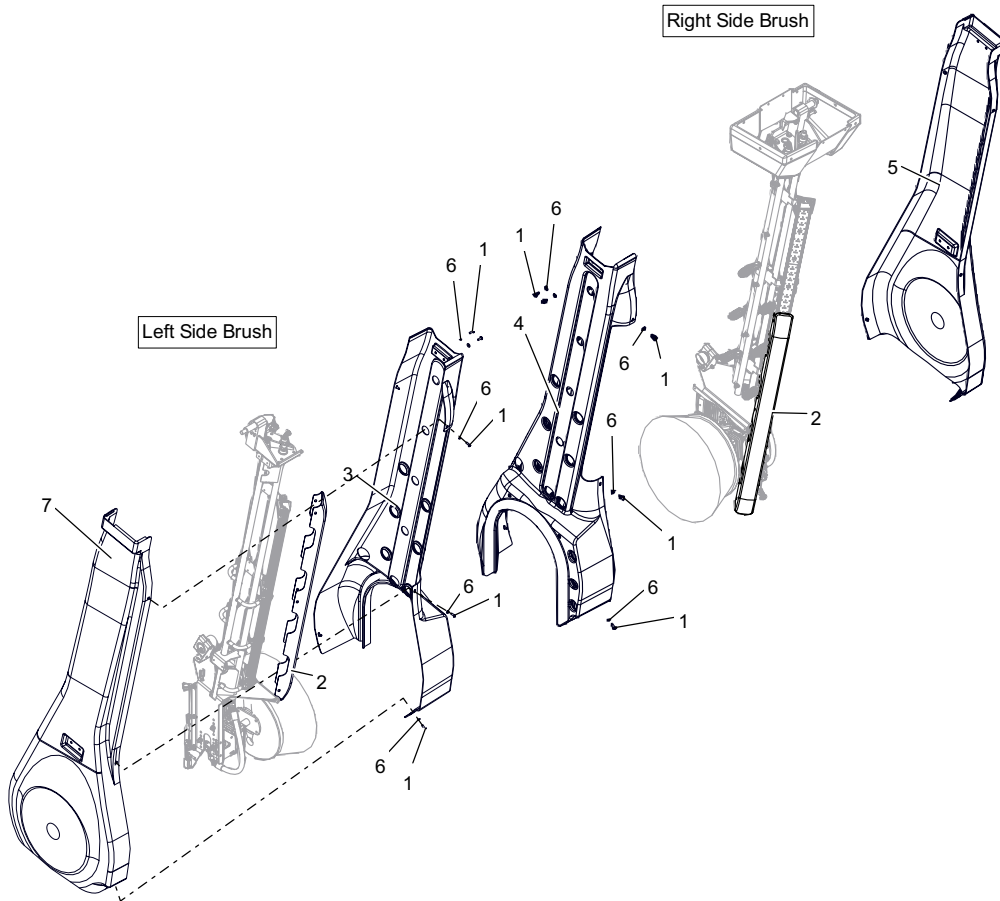
BOM ID	Qty	PartNo	Description
1	1	06160549	COVER,LIGHT,PORTAL,SIDE-ARCH,TDMSL
2	1	06050105	HOUSING,LED-LIGHT,3-BOARD,CLEAR
3	3	04580049	CIRCUIT-BOARD,LED,SMD,3-COLOR
4	1	06160446-LH	COVER,END-CAP,LED-BAR,PLSTC,LH,W-HOLE
5	1	06160446-RH	COVER,END-CAP,LED-BAR,PLSTC,RH,NO-HOLE
6	1	06160555	COVER,SIDE-ARCH,BREAKAWAY,EXT,TDMSL
7	1	06160554-RH	COVER,SIDE-ARCH,PIVOT,OUTER,RH,TDMSL
8	1	06160556	COVER,SIDE-ARCH,BREAKAWAY,EXT,TDMSL
9	1	06160553-RH	COVER,SIDE-ARCH,PIVOT,INNER,RH,TDMSL
10	1	11310131	LIGHT,LED,PORTAL,3-BOARD,CONFIG,TDMSL
11	2	06070066	GASKET.END-CAP.LED-LIGHTBARS,RUBBER

BACK BRIDGE WHEEL CLEANER COVERS-11350462



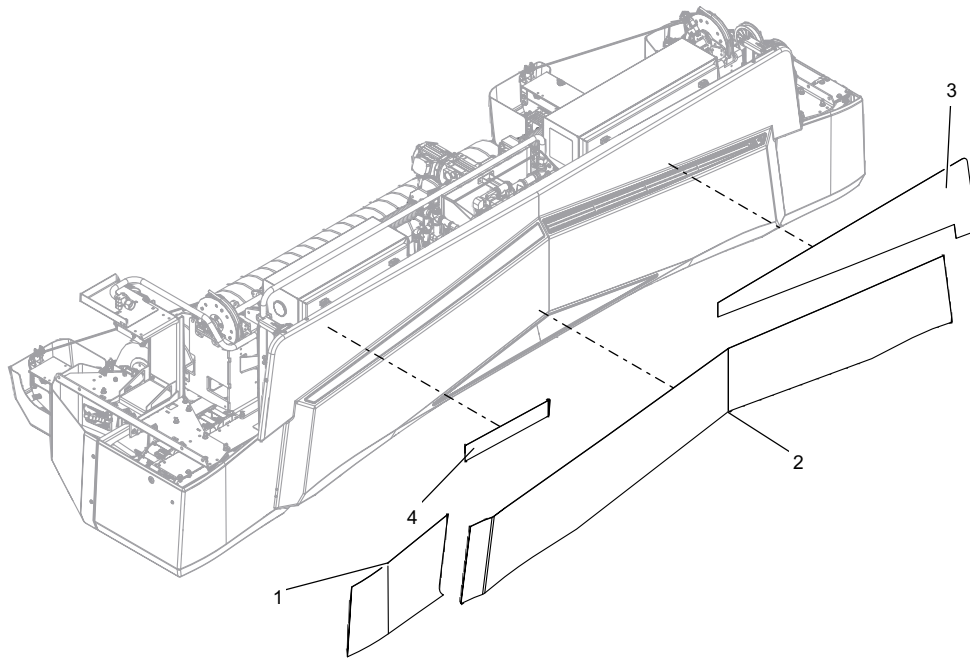
BOM ID	Qty	PartNo	Description
1	14	05040133	SCREW, 1/4-20x.75,PT-HMS,SST
2	2	06160549	COVER,LIGHT,PORTAL, SIDE-ARCH,TDMSL
3	1	06160550-LH	COVER,SIDE-ARCH,INNER,WLED,LH,BLUE,TDMSL
4	1	06160550-RH	COVER,SIDE-ARCH,INNER,RH,BLUE,PORTLAND
5	1	06160551A-RH	COVER,SIDE-ARCH,OUTER,RH,WHITE,TDMSL
6	14	71511-FS	WASHER,1/4,FLAT,SST
7	1	06160551-LH	COVER,SIDE-ARCH,OUTER,LH,WHITE,TDMSL

BACK BRIDGE WHEEL SCRUB COVERS-11350462



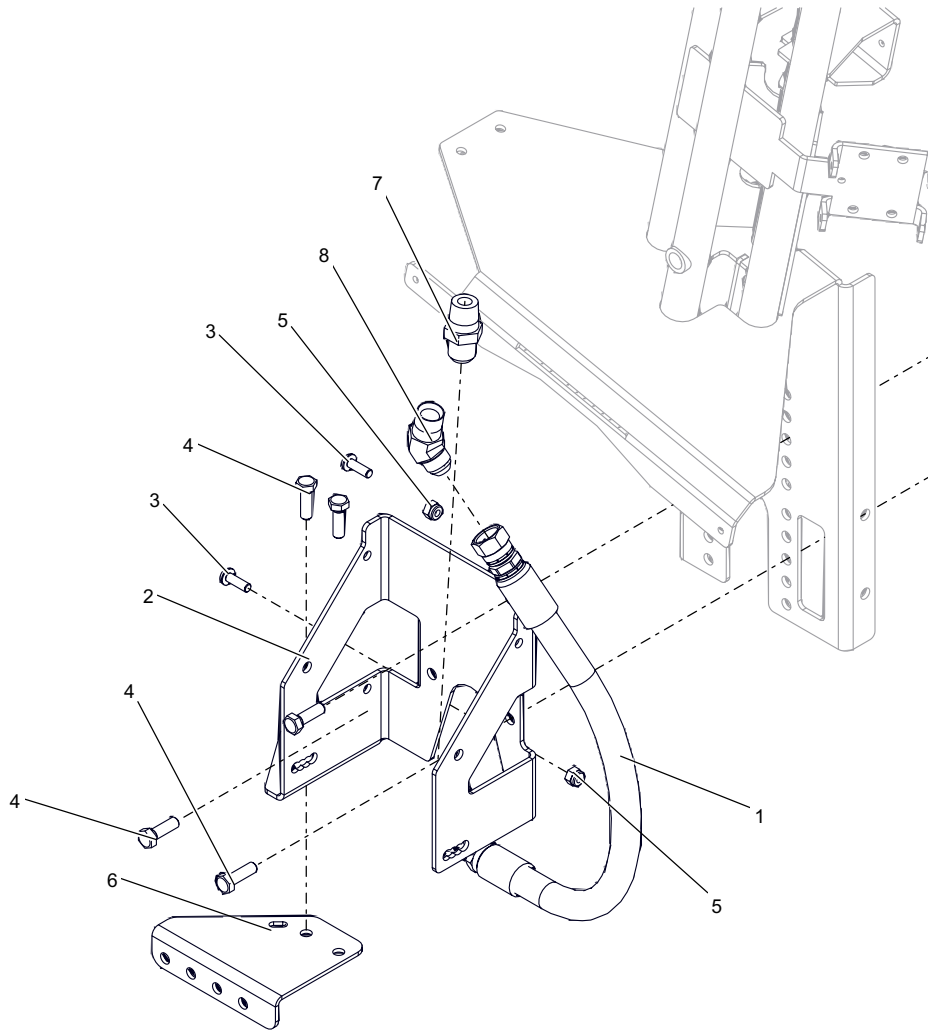
BOM ID	Qty	PartNo	Description
1	14	05040133	SCREW, 1/4-20x.75,PT-HMS,SST
2	2	06160549	COVER,LIGHT,PORTAL, SIDE-ARCH,TDMSL
3	1	06160550-LH	COVER,SIDE-ARCH,INNER,W/LED,LH,BLUE,TDMSL
4	1	06160550-RH	COVER,SIDE-ARCH,INNER,RH,BLUE,PORTLAND
5	1	06160551A-RH	COVER,SIDE-ARCH,OUTER,RH,WHITE,TDMSL
6	14	71511-FS	WASHER,1/4,FLAT,SST
7	1	06160551-LH	COVER,SIDE-ARCH,OUTER,LH,WHITE,TDMSL

BACK BRIDGE STYLE DECALS-06180075



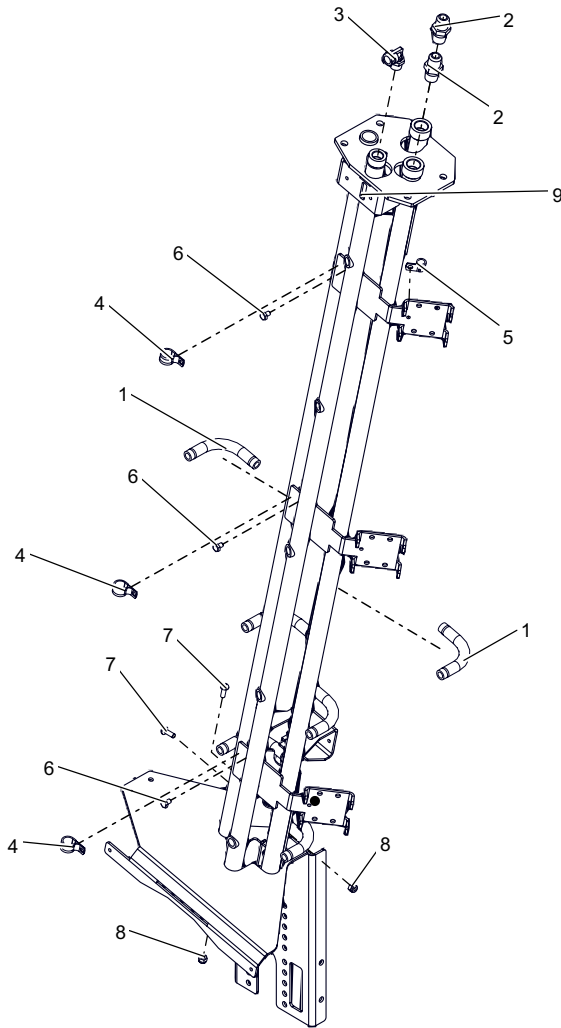
BOM ID	Qty	PartNo	Description
1	1	02030857	DECAL,BRIDGE,ENTR,LH,TDMSL
2	1	02030858	DECAL,BRIDGE,ENTR,CTR,LOWER,TDMSL
3	1	02030859	DECAL,BRIDGE,ENTR,CTR,UPPER,TDMSL
4	1	02030863	DECAL,PDQ-LOGO,DRIVE-CLEAN

BACK BRIDGE WHEEL SCRUB GEARBOX MOUNTING-11220006



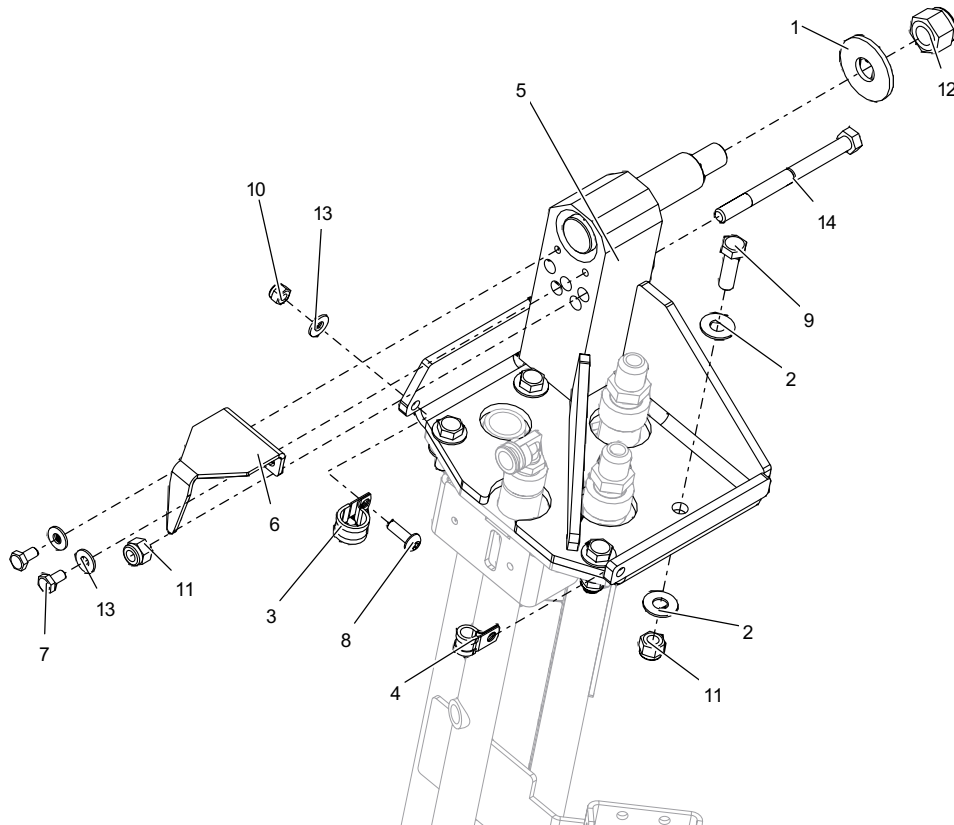
BOM ID	Qty	PartNo	Description
1	1	03340146	HOSE,WHEEL-CLEAN,BOTTOM,HP,1/2",TDMSL
2	1	06141496-RH	BRACKET,GEARBOX-MNT,RH,WHEEL-SCRUB,TDMSL
3	2	70108-SCS	SCREW,1/4-20x.75,PPHMS,SST
4	5	70145-HCS	SCREW,5/16-18x1.00,HHCS,SST
5	2	71011-NCS	NUT,1/4-20,HEX,LOCK,SST
6	1	06141497-RH	BRACKET,WHEEL-DET,RIGHT,SIDE-ARCH,TDMSL
7	1	03140059	ADAPTER,1/2MNPTx08MJIC,PLATED-STEEL
8	1	03140063	ADAPTER,1/2MNPTx08MJIC,45°,PLATED-STEEL

BACK BRIDGE SIDE ARCH MANIFOLD-11220006



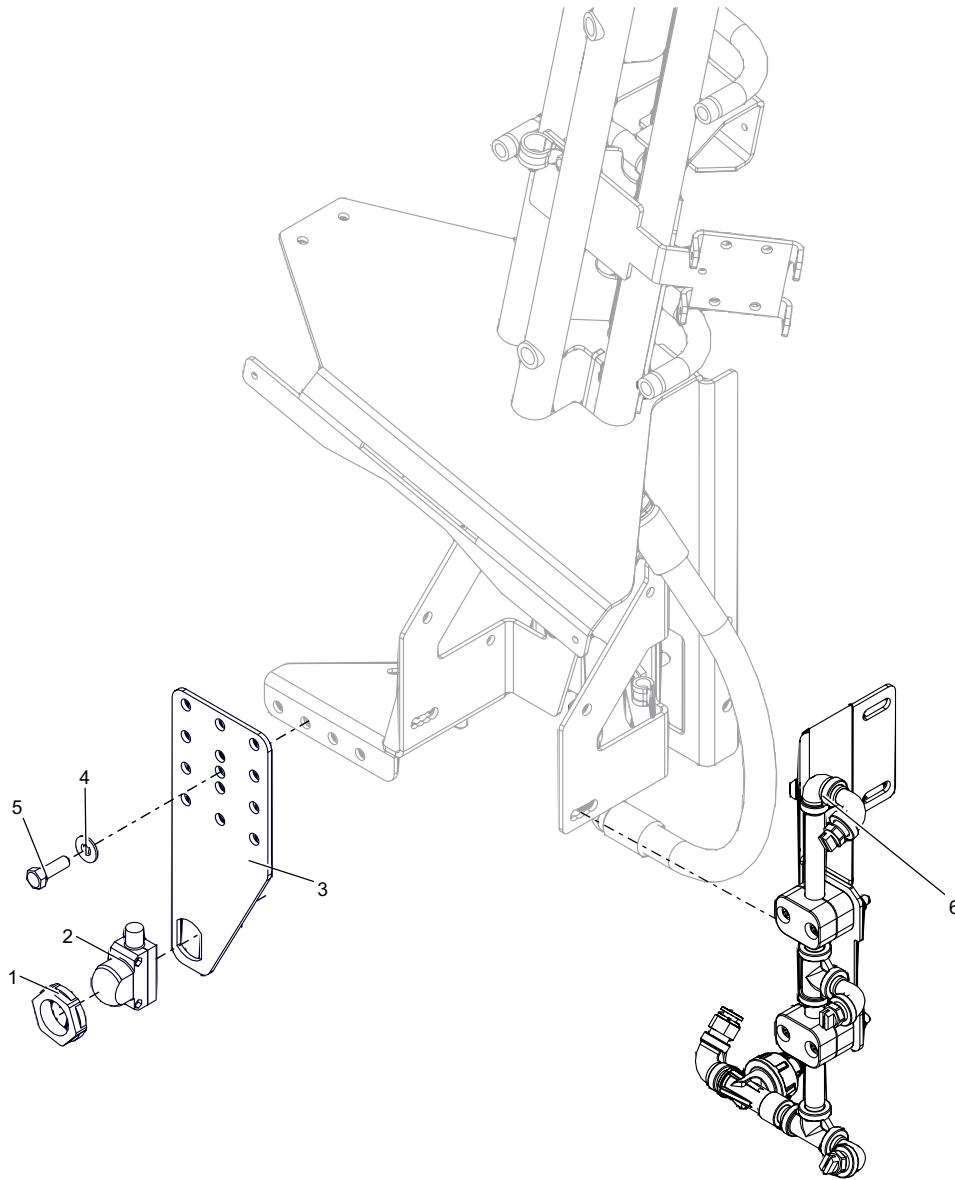
BOM ID	Qty	PartNo	Description
1	6	03040056	ELBOW, 1/4NPT, MALExMALE, 90DEG, SST
2	2	03140059	ADAPTER, 1/2MNPTx08MJIC, PLATED-STEEL
3	1	03320078	TUBE-FTG, ELBOW, SWVL, 1/2TX3/8NPT, PUSH, SST
4	3	05050008	CLAMP, CUSHION, 3/4", SST
5	3	05050049	CLAMP, CUSHION, 3/8", SST
6	3	70105-HCS	SCREW, 1/4-20X.37, HHCS, SST
7	2	70108-SCS	SCREW, 1/4-20x.75, PPHMS, SST
8	2	71011-NCS	NUT, 1/4-20, HEX LOCK, SST
9	1	03220368-RH	MANIFOLD, SIDE-ARCH, WELD, RIGHT, TDMSL

BACK BRIDGE SIDE ARCH BREAKAWAY-11220006



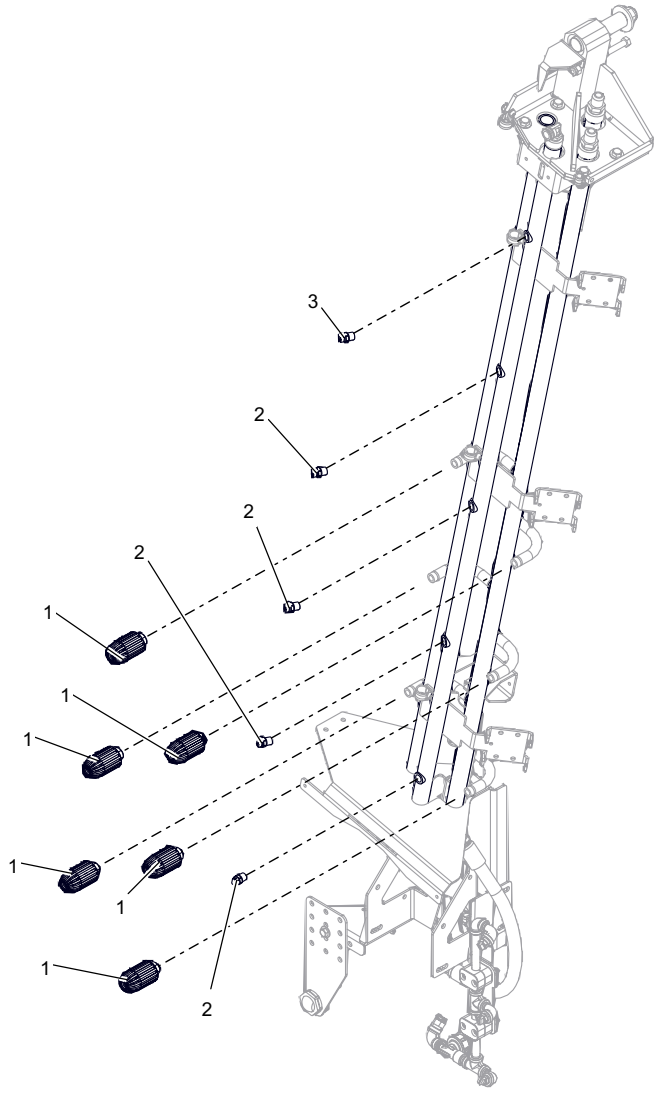
BOM ID	Qty	PartNo	Description
1	1	05030062	WASHER, 5/8x1.75x.134THK, FLAT, SST
2	8	05030067	WASHER, 3/8, FLAT, 7/8-OD., .050THK, SST
3	1	05050008	CLAMP, CUSHION, 3/4", SST
4	1	05050049	CLAMP, CUSHION, 3/8", SST
5	1	06250161-RH	FRAME, SIDE-ARCH, TOP-WELD, RIGHT, TDMSL
6	1	06480075	FLAG, IMPACT, SIDE-ARCH, BREAKAWAY, TDMSL
7	2	70106-HCS	SCREW, 1/4-20x.50, HHCS, SST
8	1	70108-SCS	SCREW, 1/4-20x.75, PPHMS, SST
9	4	70181-HCS	SCREW, 3/8-16x1.25, HHCS, SST
10	1	71011-NCS	NUT, 1/4-20, HEX LOCK, SST
11	4	71013-NCS	NUT, 3/8-16, HEX LOCK, SST
12	1	71017-NCS	NUT, 5/8-11, HEX LOCK, SST
13	3	71511-FS	WASHER, 1/4, FLAT, SST
14	1	M690001	BOLT, SHEAR, 3/8-16x4.50, SST, LW4K-ARCH

BACK BRIDGE WHEEL SCRUB CHEMICAL MANIFOLD=11220006



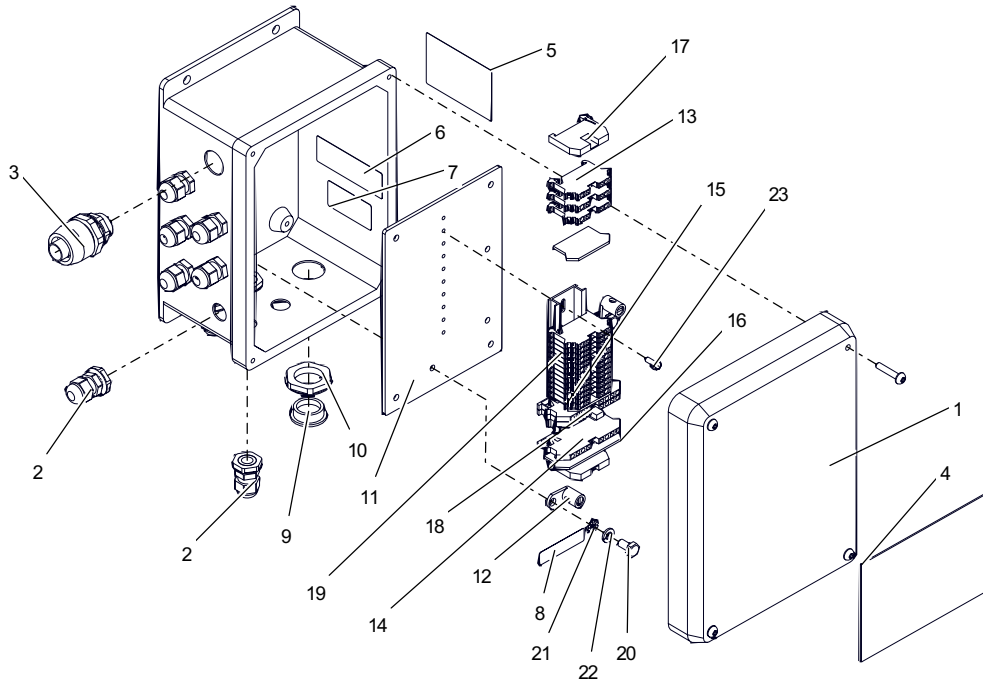
BOM ID	Qty	PartNo	Description
1	1	#####	???????????
2	1	04070004	PHOTO-EYE, THRU-BEAM, RCVR, 30mm, BANNER-QS
3	1	06240996	PLATE, PHOTO-EYE-MNT, WHEEL-DET, TDMSL
4	1	71512-FS	WASHER, 5/16, FLAT, SST
5	1	70145-HCS	SCREW, 5/16-18x1.00, HHCS, SST
6	1	11250326-RH	MANIFOLD, WHEEL-CHEM, APPL, RIGHT, TDMSL

BACK BRIDGE WHEEL SCRUB NOZZLES-11220006



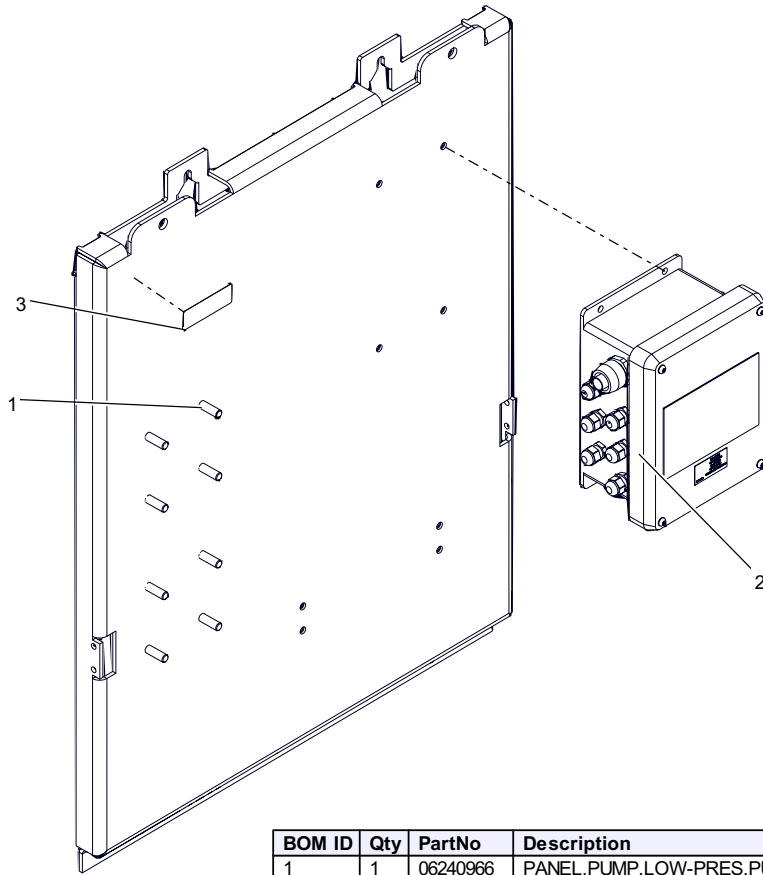
BOM ID	Qty	PartNo	Description
1	6	03230078	NOZZLE,ROTATING,18DEG,033,1/4NPT,BR-PLST
2	4	64152-4M	NOZZLE,FAN,4003,1/4"NPT,SST
3	1	64082-4M	NOZZLE,FAN,1504,1/4"NPT,SST

PRODUCTIVITY JUNCTION BOX COMPONENTS-11050158



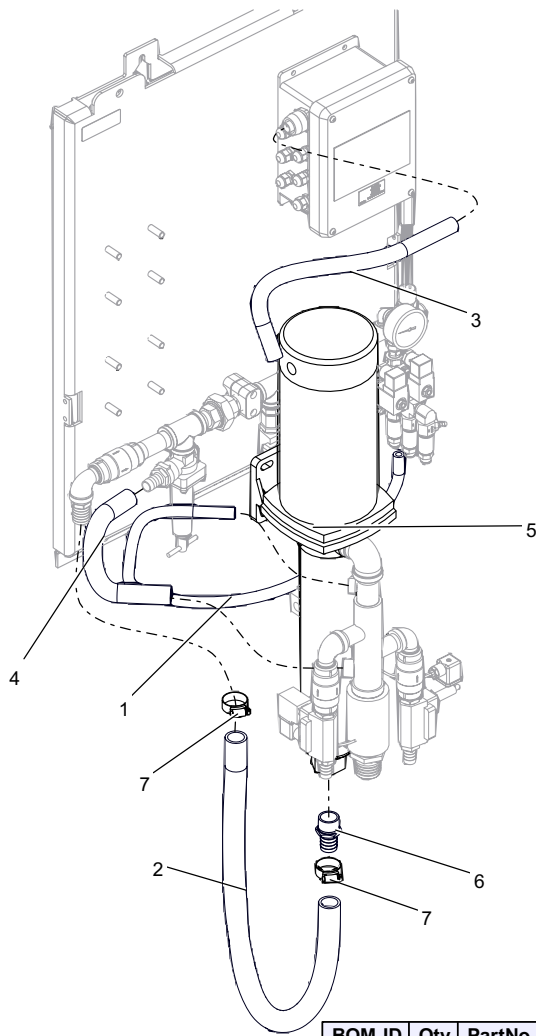
BOM ID	Qty	PartNo	Description
1	1	04090175	ENCLOSURE, CTRL, OPT, SOL-PMP, TDMSL
2	9	04450024	STRAIN-RELIEF, .138-.315", W/LOCKNUT, NYLON
3	1	36080	CONNECTOR, CONDUIT, 1/2, STRAIGHT, PVC
4	1	02030719	DECAL, LOCK-OUT, ARC-FLASH, H-V, CAUTION
5	1	02230329	LABEL, ID, 11010361, CTRL-BOX, OPT-PMP, TDMSL
6	1	02240023	LABEL, INFO, AMP-RATING, TERMINAL-36507
7	1	02240058	LABEL, INFO, TORQUE, RATING, GND-LUG, 34900
8	1	02240073	LABEL, INFO, TORQUE, RATING, GND-LUG
9	1	04330014	PLUG, HOLE, M25x1.5, POLYSTYRENE, GRAY
10	1	05020070	NUT, M25x1.5, NYL, GRAY
11	1	06240936	PLATE, ELEC, VALVE-JUNCTION-BOX, LW360PE
12	2	34900	LUG, GROUNDING, 14-4 GA, COPPER
13	16	36506	TERMINAL-BLK, 26-12GA, 2P, PLST, 280-601
14	3	36507	TERMINAL-BLK, 26-14GA, 4P, GRAY
15	2	36606	END-PLATE, FRONT, 2P, PLST, 280-331
16	1	36607	END PLATE, FRONT, 4P, 280-317, ORANGE
17	2	36650	END-STOP, 6mm, PLST, GRAY, 249-116
18	1	36800	JUMPER, INSULATED, GRAY
19	1	36950-5.00	DIN-RAIL, 35mmx5.00", AL
20	2	70106-HCS	SCREW, 1/4-20x.50, HHCS, SST
21	2	71511-EZ	WASHER, 1/4, STAR, ZP
22	2	71511-LS	WASHER, 1/4, LOCK, SST
23	2	73604-TXCZ	SCREW, #8x.50, HHTEK, ZP

PRODUCTIVITY PANEL JUNCTION BOX-11050158



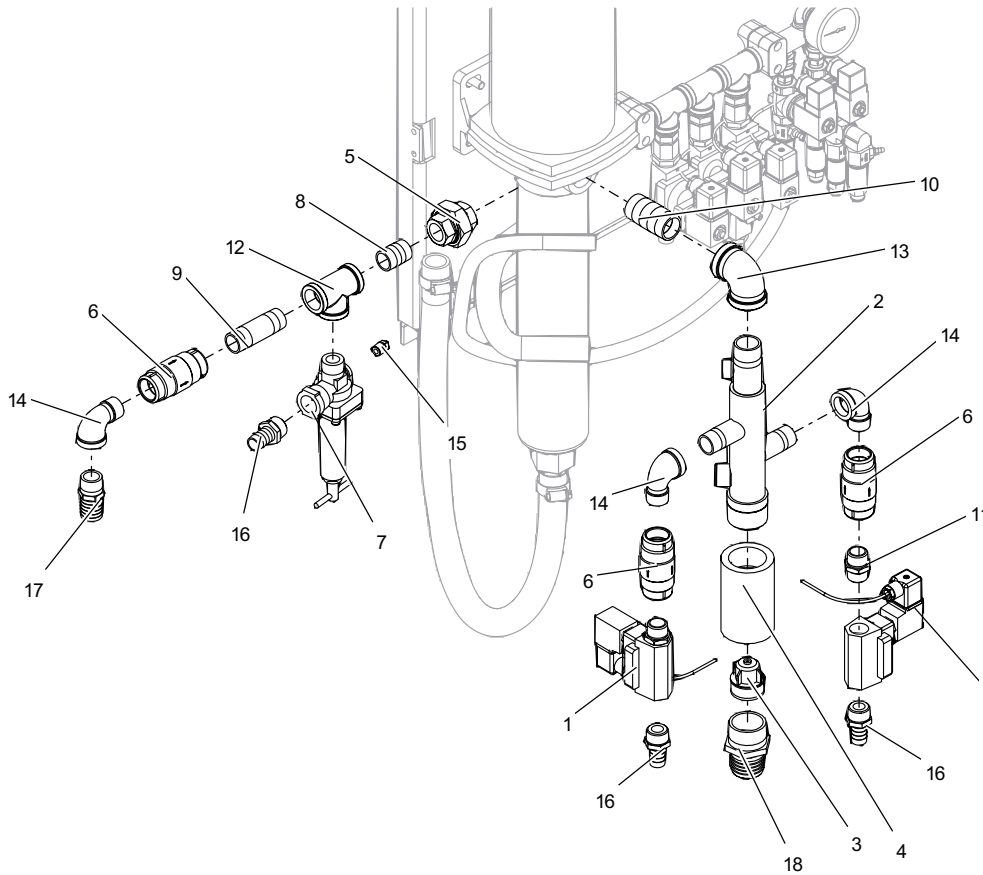
BOM ID	Qty	PartNo	Description
1	1	06240966	PANEL,PUMP,LOW-PRES,PUMP-2,AL,TDMSL
2	1	11010361	JUNCTION-BOX,OPT-SOL U-PMP,PANEL,TDMSL
3	1	02210047	LABEL,SERIAL,PUMP,LOW-PRESS,PROD,TDMSL

PRODUCTIVITY PANEL INLET HOSES-11050158



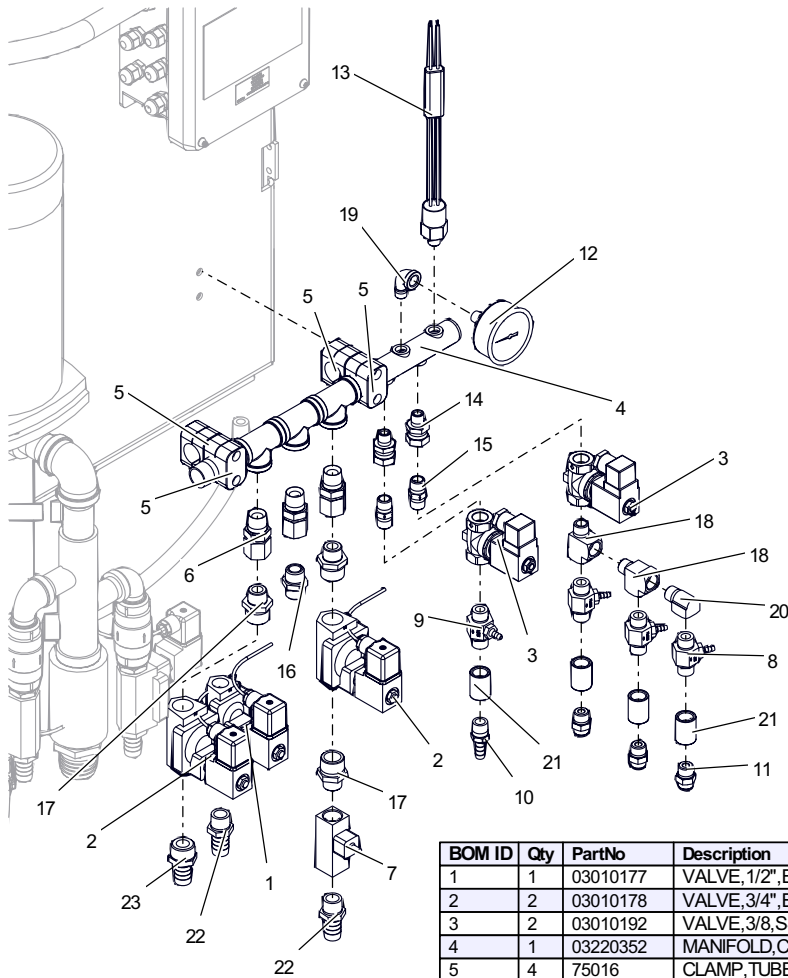
BOM ID	Qty	PartNo	Description
1	1	01130010	HOSE,.375,200PSI,BLACK,SYN-RBR,SYN-YRN
2	1	01130026	HOSE, 1.00,300,BLACK,SYN-RBR,SYN-YRN
3	1	04080669	HARNESS,SOLU,PUMP,PWR,OPT,TANDEMSL
4	1	61030	HOSE,3/4,200,BLACK,SYN-RBR,SYN-YRN
5	1	03180017	PUMP,STA-RITE,11STG,20GPM,2HP,208/480V
6	1	68129-MHB	HOSE-BARB,1Hx1MPT,BRS
7	2	75104	CLAMP,HOSE,#16,1.00H,SST

PRODUCTIVITY PANEL INLET MANIFOLD11050158



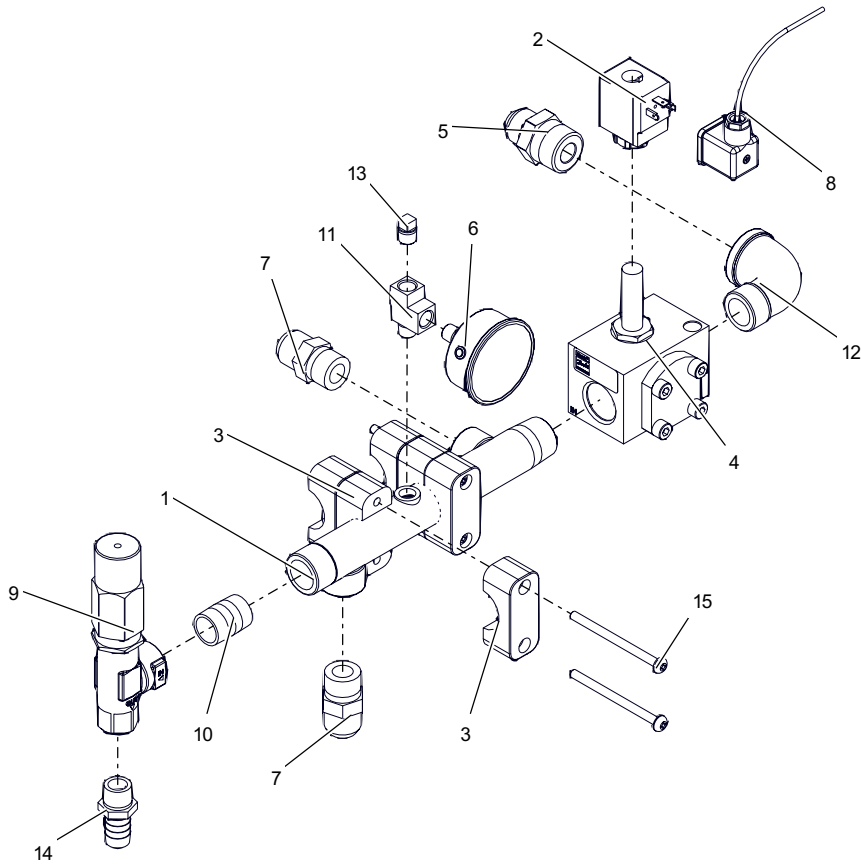
BOM ID	Qty	PartNo	Description
1	2	03010178	VALVE,3/4",BRASS,2-WAY,NC,232PSI
2	1	03220303	MANIFOLD,PUMP-INLET,1-1/4",SST,ICON
3	1	03010060	VALVE,CHECK,1-1/2",CRTG-STYLE,PLSTC/EPDM
4	1	03070053	COUPLING,1-1/2NPTx4",W/CHKSEAT,PVC
5	1	03120012	UNION,3/4NPT,SC40,SST
6	3	63119	VALVE,CHECK,3/4NPT,400PSI,0.5#,BRONZE
7	1	63185	VALVE,RELIEF,3/4",BRASS
8	1	67014-4S	NIPPLE,3/4NPTxCLOSE,SC40,SST
9	1	67014-D4S	NIPPLE,3/4NPTx3.00,SC40,SST
10	1	67015-C4S	NIPPLE,1NPTx2.50,SC40,SST
11	2	67060-4B	NIPPLE,HEX,3/4NPT,BRS
12	1	67120-4S	TEE,3/4NPT,PIPE,SC40,SST,SP114
13	1	67410-4S	ELBOW,1NPT,90DEG,SC40,SST,SP114
14	3	67493-4S	ELBOW,STREET,3/4NPT,90DEG,SC40,SST
15	1	67603-B	PLUG,1/4NPT,SQ-HD,BRS
16	3	68123-MHB	HOSE-BARB,3/4Hx3/4MNPT,BRS
17	1	68128-MHB	HOSE-BARB,1Hx3/4MNPT,BRS
18	1	68141-MHN	HOSE-BARB,1-1/2Hx1-1/2MPT,NYL

PRODUCTIVITY PANEL INJECTOR MANIFOLD-11050158



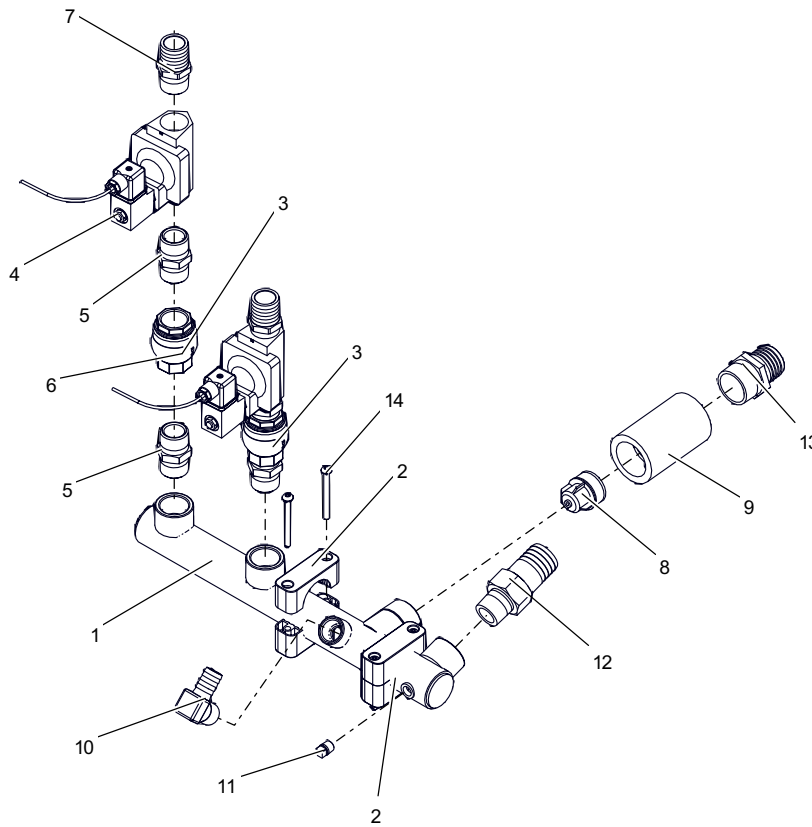
BOM ID	Qty	PartNo	Description
1	1	03010177	VALVE, 1/2", BRASS, 2-WAY, NC, 232PSI
2	2	03010178	VALVE, 3/4", BRASS, 2-WAY, NC, 232PSI
3	2	03010192	VALVE, 3/8, SST, 2-WAY, NC, 232PSI
4	1	03220352	MANIFOLD, CHEMICAL, SECOND-LP, SST, TDMSL
5	4	75016	CLAMP, TUBE, 1", PP, STANDARD
6	3	03140062	ADAPTER, 1/2MNPTx1/2FNPT-SWIVEL, SST
7	1	03150019	INJECTOR, .135-.245, 1/2FPT, ADJ, BRS
8	3	03150034	INJECTOR, .057, 3/8MNPT, 316SST/KYNAR, GP
9	1	03150036	INJECTOR, .086, 3/8MNPT, 316SST/KYNAR, GP
10	1	03310038	HOSE-BARB, 3/8x3/8MNPT, SST
11	3	24038-PB	TUBE-FTG, CONN, 3/8Tx3/8NPT, PUSH, BRS
12	1	25046	GAUGE, PRES, 0-400PSI, 1/4NPT, CBM, LIQ, 2.50"
13	1	31037	SWITCH PRESSURE 14PSI 1/4NPT
14	2	44553-S	ADAPTER, 3/8FNPT-SWIVELx1/4MNPT, SST
15	2	67055-4B	NIPPLE, HEX 3/8NPT, BRS
16	1	67058-4B	NIPPLE, HEX 1/2NPT, BR
17	3	67059-4B	NIPPLE, HEX 3/4NPTx1/2NPT, BRS
18	2	67195-4B	TEE, 3/8NPT, MALE-RUN, SC40, BRS
19	1	67487-4S	ELBOW, STREET, 1/4NPT, 90DEG, SC40, SST
20	1	67489-4B	ELBOW, STREET, 3/8NPT, 90DEG, SC40, BRS
21	4	67794-4S	COUPLING, 3/8NPT, SST
22	2	68122-MHB	HOSE-BARB, 3/4Fx1/2MNPT, BRS
23	1	68123-MHB	HOSE-BARB, 3/4Fx3/4MNPT, BRS

HIGH PRESSURE PUMP STATION OUTLET MANIFOLD-09070165



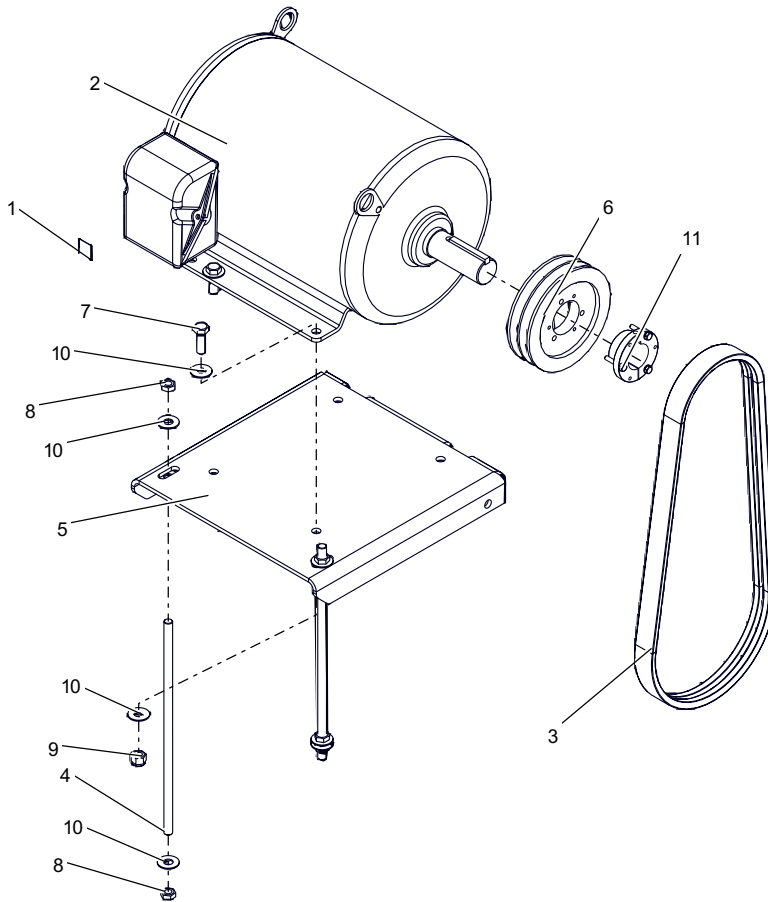
BOM ID	PartNo	Qty	Description
1	03220285	1	MANIFOLD,HP-OUTLET,PUMP.ICON
2	63040	1	COIL,SOL,24VAC,60HZ,9W,DANFOSS
3	75025	4	CLAMP,PIPE,1.00,PP,STANDARD
4	03010188	1	VALVE,1"NPT,SST,2WAY,NO,2000PSI
5	03140057	1	ADAPTER,#12-MJICx1MPT,Z-PLT
6	25111	1	GAUGE,PRES,0-2000PSI,1/4MPT,CBM,LIC,2.5"
7	44568	2	ADAPTER,#12JIC,37MX3/4MPT,Z-PLT
8	63042	1	PLUG,18mm,DIN,PLSTC
9	63188	1	VALVE,BAL-RLF,3/4FPT,53.5GPM,2560PSI,BR
10	67014-4B	1	NIPPLE,3/4NPTxCLOSE,SC40,BRS
11	67190-4B	1	TEE,1/4NPT,MALE-RUN,SC40,BRS
12	67495-4S	1	ELBOW,STREET,1NPT,90DEG,SC40,SST
13	67601-S	1	PLUG,1/4NPT,SQ-HD,SST
14	68122-MHB	1	HOSE-BARB,3/4Hx1/2MNPT,BRS
15	70120-SCS	4	SCREW,1/4-20x3.50,SRHMS,SST

HIGH PRESSURE PUMP STATION INLET MANIFOLD-09070165



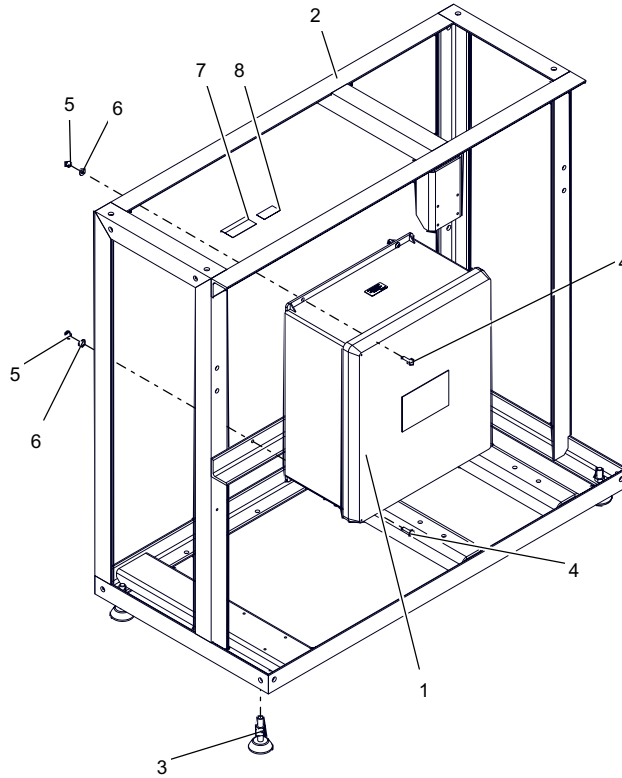
BOM ID	PartNo	Qty	Description
1	03220286	1	MANIFOLD,INLET,HP-PUMP-STATION,ICON
2	05050067	2	CLAMP,PIPE,1-1/2,PP,STANDARD
3	09170084	2	MANIFOLD,INLET,HP,PRESSURE-FED,SGL,ICON
4	03010180	2	VALVE,1",BRASS,2-WAY,NC,232PSI
5	03130057	4	NIPPLE,HEX,1NPT,BRS
6	63144	2	VALVE,CHECK,1FNPT,150PSI,BRS
7	68134-MHB	2	HOSE-BARB,1-1/4Hx1MNPT,BRS
8	03010060	1	VALVE,CHECK,1-1/2",CRTG-STYLE,PLSTC/EPDM
9	03070053	1	COUPLING,1-1/2NPTx4",W/CHKSEAT,PVC
10	03310030	1	HOSE-BARB,3/4Hx3/4MNPT,90°,BRS
11	67601-S	1	PLUG,1/4NPT,SQ-HD,SST
12	68139-MHB	1	HOSE-BARB,1-1/2Hx1MNPT,BRS
13	68141-MHN	1	HOSE-BARB,1-1/2Hx1-1/2MPT,NYL
14	70117-SCS	4	SCREW,1/4-20x2.75,SRHMS,SST

HIGH PRESSURE PUMP STATION AR MOTOR 208 230 460-09070182



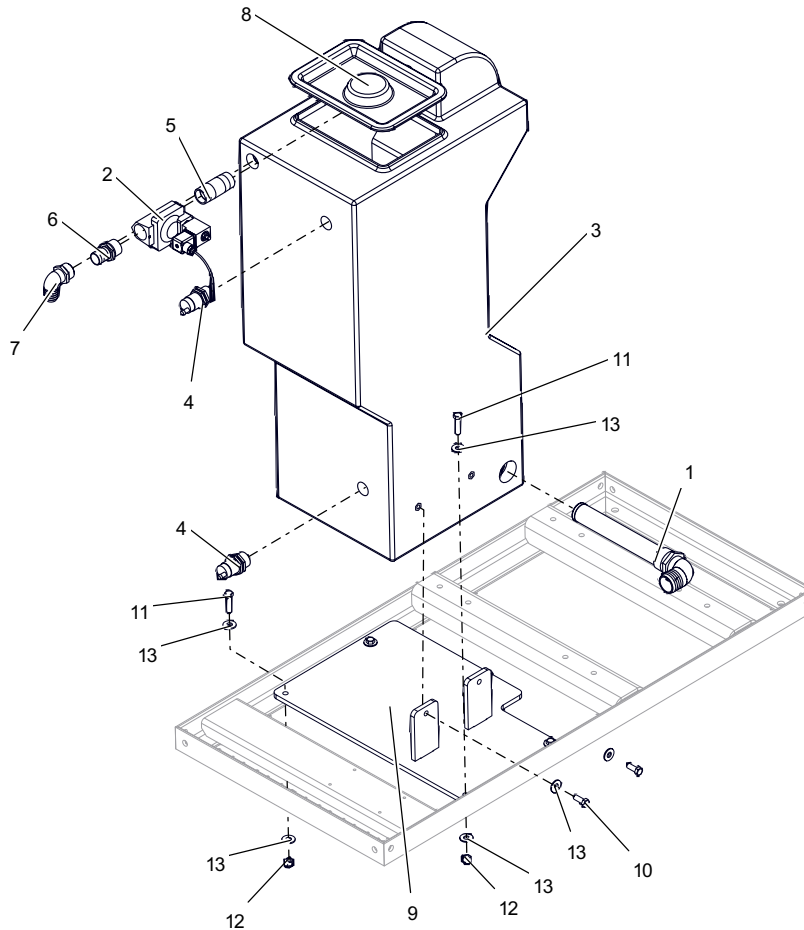
BOM ID	PartNo	Qty	Description
1	02240027	1	LABEL, 1x1, DANGER-HIGH-VOLTAGE
2	04120055	1	MOTOR, 15HP, 1765, 254T, 208-230/460V, PREMIU
3	06020042	1	BELT, 2-52BX, COGGED, BND, 53.8", RBR
4	06190163	2	ROD, THREADED, 1/2-13x14.75", SST, ICON
5	06240533	1	PLATE, BASE, MOTOR, PUMP-UNIT, ICON
6	12028-2SDS	1	SHEAVE, 2B, 6.2, 2-GROOVE, TYPE-SDS
7	70257-HCS	4	SCREW, 1/2-13x1.50, HHCS, SST
8	71015-JCS	6	NUT, 1/2-13, HEX, JAM, SST
9	71015-NCS	2	NUT, 1/2-13, HEX, LOCK, SST
10	71515-FSS	12	WASHER, 1/2, FLAT, SST
11	12527-SDS	1	BUSHING, SHEAVE, 1.625, SDS, STL

HIGH PRESSURE PUMP STATION FRAME ELECTRICAL ENCLOSURE-09070165



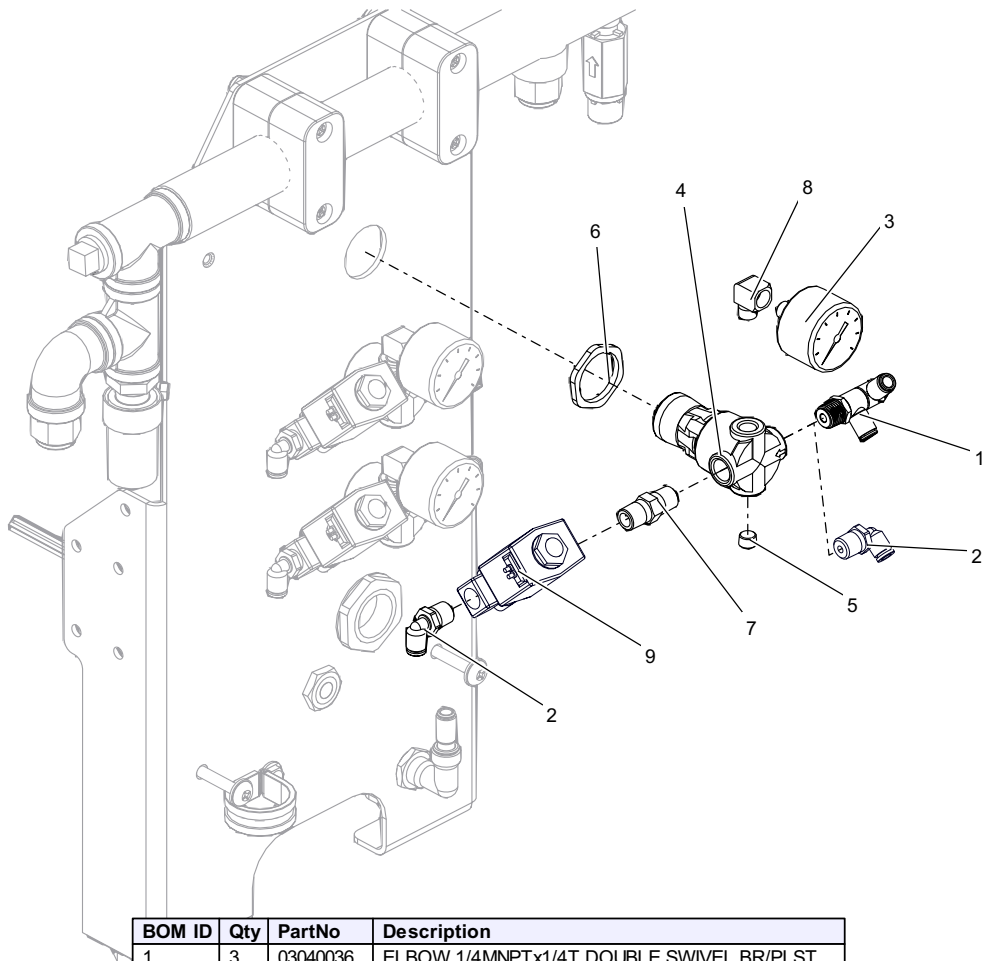
BOM ID	PartNo	Qty	Description
1	11010190	1	CONTROL-BOX,HP,PUMP-STATION,ICON
2	06250134	1	FRAME,PUMP,HIGH-PRESSURE,WELDMENT,ICON
3	15025	4	MOUNT,FOOT,1/2-13x2.50,NPRN/SST,W/NUTS
4	70110-SCS	4	SCREW,1/4-20x1.00,PPHMS,SST
5	71011-NCS	4	NUT,1/4-20,HEX LOCK,SST
6	71511-FS	4	WASHER,1/4,FLAT,SST
7	02210033	1	LABEL-SERIAL,PUMP,HIGH-PRESSURE,ICON
8	M401066	1	LABEL PRINTED CE ELECTRICAL - EUROPEAN

HIGH PRESSURE PUMP STATION WATER TANK-09070165



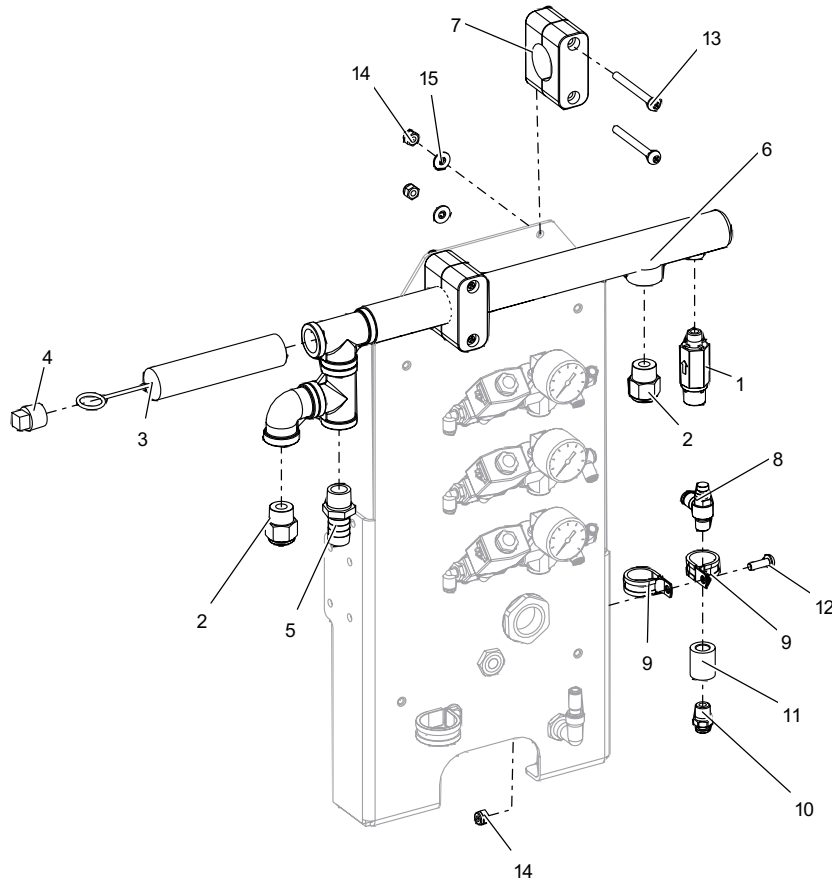
BOM ID	PartNo	Qty	Description
1	03030007	1	FILTER, LIQ, 1-1/2NPTx1-1/2H, #20, SST/PLSTC
2	03010180	1	VALVE, 1", BRASS, 2-WAY, NC, 232PSI
3	03390012	1	TANK, POLTHN, ROTO-MOLD, HP-PUMP, ICON
4	04420035	2	SENSOR, WATER-LEVEL, TANK, M5
5	67015-D4S	1	NIPPLE, 1NPTx3.00, SC40, SST
6	68129-MHB	1	HOSE-BARB, 1Hx1MPT, BRS
7	68329-MHN	1	HOSE-BARB, 1Hx1MNPT, 90°, NYL
8	M540045	1	COVER, MLD, 6.00x9.00, BLK ABS
9	06240540	1	PLATE, BASE, TANK, HP-PUMP-STATION, ICON
10	70180-HCS	2	SCREW, 3/8-16x1.00, HHCS, SST
11	70182-HCS	4	SCREW, 3/8-16x1.50, HHCS, SST
12	71013-NCS	4	NUT, 3/8-16, HEX, LOCK, SST
13	71513-FS	10	WASHER, 3/8, FLAT, 1-OD, .083THK, SST

FRONT BRIDGE FOAMING AIR VALVE-11030136



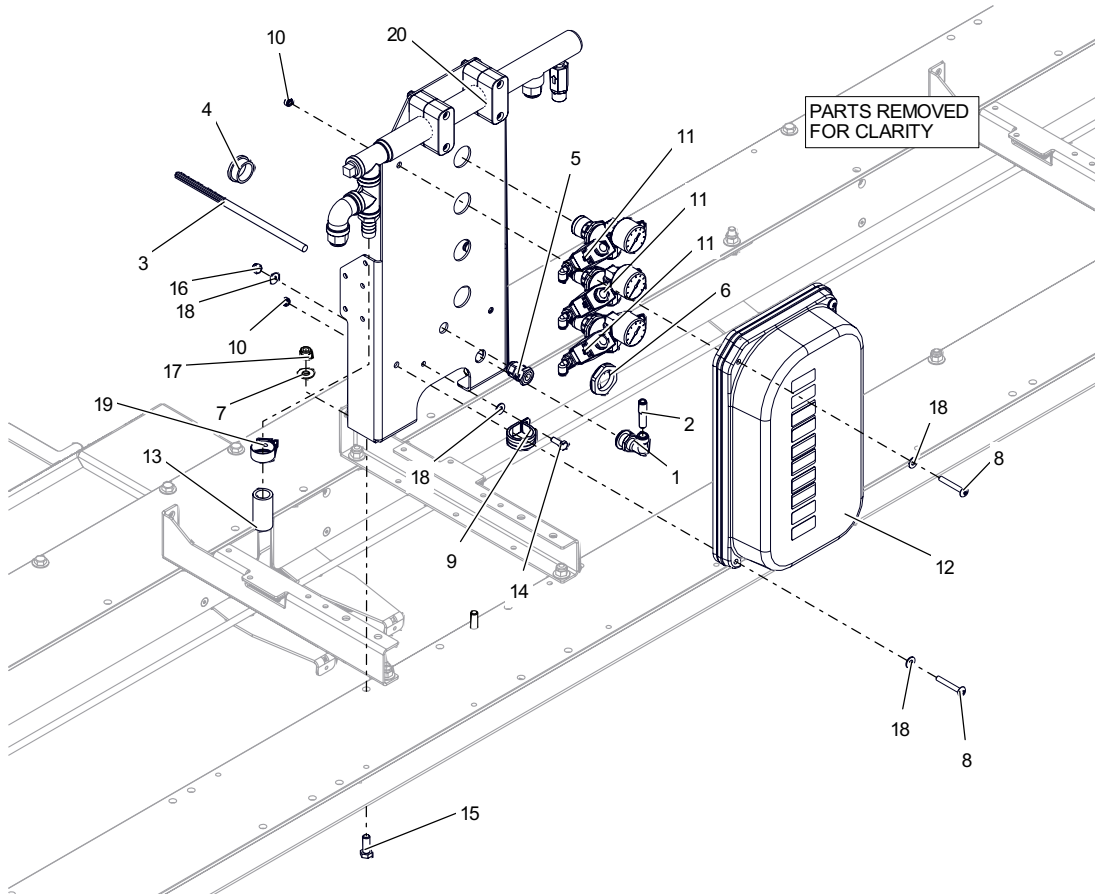
BOM ID	Qty	PartNo	Description
1	3	03040036	ELBOW, 1/4MNPTx1/4T, DOUBLE, SWIVEL, BR/PLST
2	2	24336-PB	TUBE-FTG, ELBOW, 1/4Tx1/4NPT, PUSH, BRS
3	1	25031	GAUGE, PRES, 0-160PSI, 1/8NPT, CBM, 1.50"
4	1	26160	VALVE, REG, 1/4"NPT, 125PSI, W/NUT, MINI
5	1	26160C	1/8NPT PLUG FOR 26160
6	1	26160E	26160E
7	1	67052-4B	NIPPLE, HEX, 1/4NPT, BRS
8	1	67485-4B	ELBOW, STREET, 1/8NPT, 90DEG, SC40, BRS
9	1	03010140	VALVE, SOL, 2-WAY, NC, 1/4"NPT, 24VAC, BRASS

FRONT BRIDGE OVERGLOW FOAMING MANIFOLD-11250322



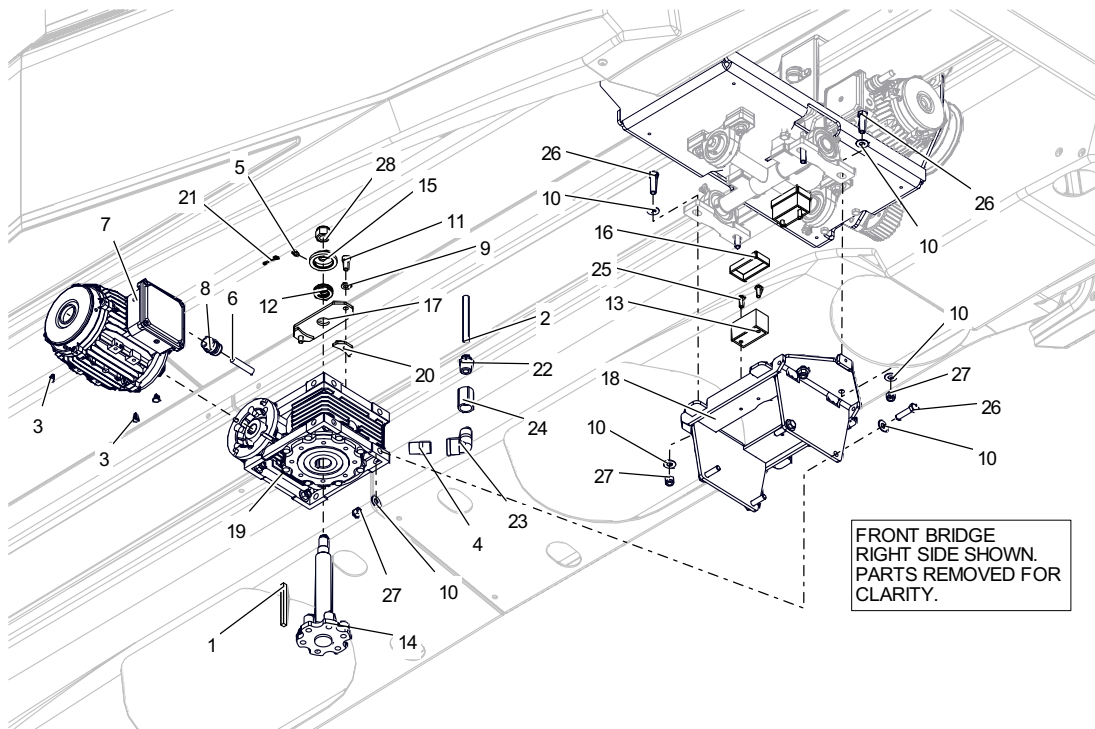
BOM ID	Qty	PartNo	Description
1	1	03010129	VALVE,CHECK,1/4PCF-INx1/4NPT-OUT,3#
2	2	03320069	TUBE-FTG,16mmTx1/2MNPT,BRASS
3	1	06500080	BRUSH,FOAMER,1.125X5,OVERGLOW
4	1	67603-S	PLUG,1/2NPT,SQ-HD,SST
5	1	68122-MHB	HOSE-BARB,3/4Hx1/2MNPT,BRS
6	1	03220335	MANIFOLD,FOAMER,OVERGLOW,TDMSL
7	2	75025	CLAMP,PIPE,1.00,PP,STANDARD
8	1	03010183	VALVE,FLOW-CTRL,1/4NPTx1/4TUBE,90
9	2	05050024	CLAMP,CUSHION,1",SST
10	1	24025-PB	TUBE-FTG,CONN,1/4Tx1/4NPT,PUSH,BRS
11	1	67792-4S	COUPLING,1/4NPT,SST
12	1	70108-SCS	SCREW,1/4-20x.75,PPHMS,SST
13	4	70116-SCS	SCREW,1/4-20x2.50,PPHMS,SST
14	3	71011-NCS	NUT,1/4-20,HEX,LOCK,SST
15	4	71511-FS	WASHER,1/4,FLAT,SST

FRONT BRIDGE FOAMER-MANIFOLD-11030151



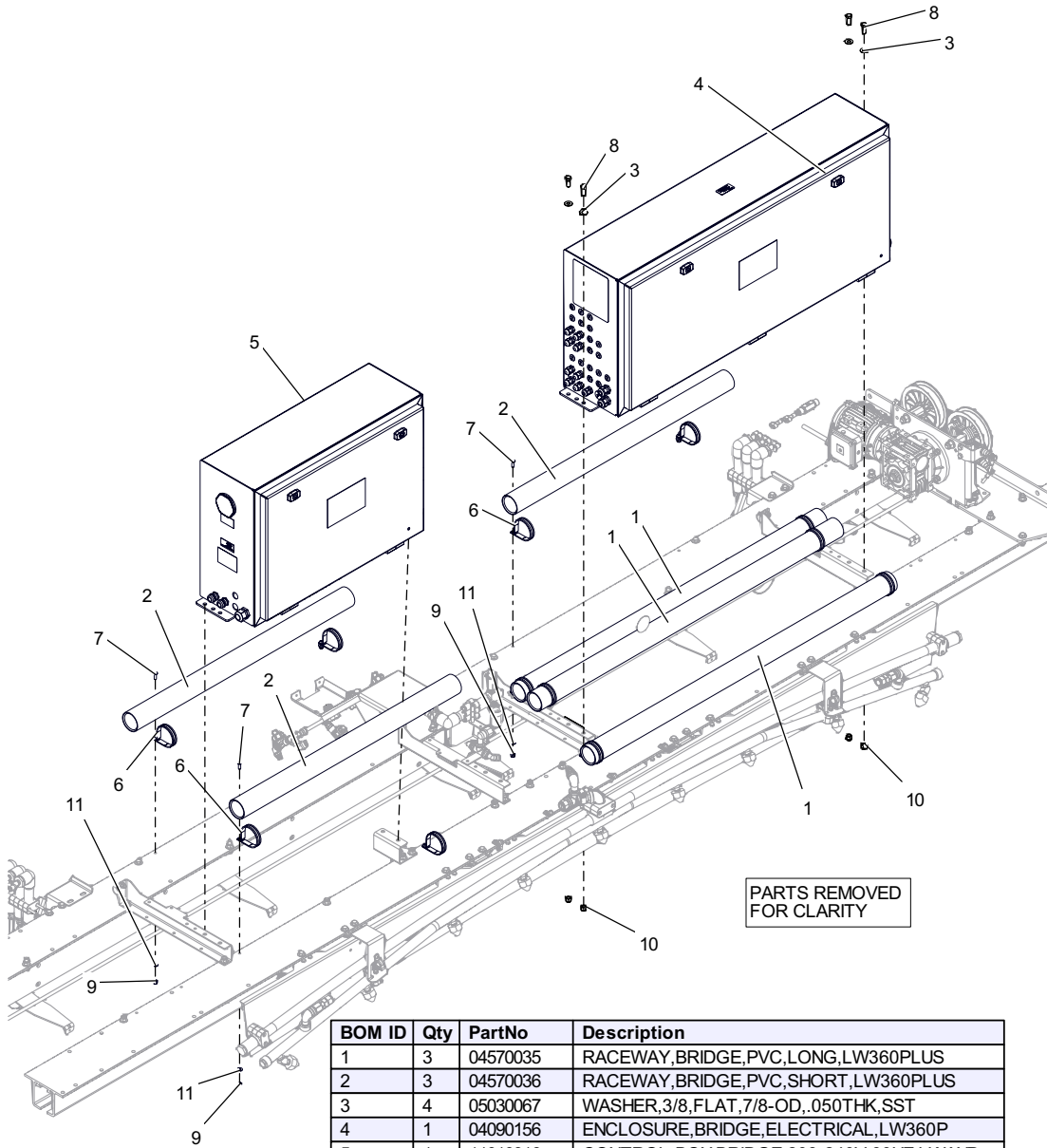
BOM ID	Qty	PartNo	Description
1	1	03320068	TUBE-FTG,ELB,BHD,3/8Tx3/8T,PUSH,PLSTC
2	1	03320075	TUBE-FTG,REDUCER,3/8Tx1/4T,PUSH,PLSTC
3	1	04080663	HARNESS,VAVLE,AIR,CTRL,FB,TANDEMSL
4	1	04330011	PLUG,HOLE,M32x1.5,NYLON
5	1	04450012	STRAIN-RELIEF,M16,.177-.394",PLSTC
6	1	05020063	NUT,LOCK,M32x1.5,NYL,GREY
7	2	05030067	WASHER,3/8,FLAT,7/8-OD,.050THK,SST
8	4	05040202	SCREW,1/4-20x1.75,PTHMS,SST
9	1	05050032	CLAMP,CABLE,CUSHION,1-1/4",SST
10	4	05180020	INSERT,NUT,1/4-20,SST,PEM,CLS-0420-2
11	3	11030136	VALVE,A
12	1	11260130	COVER,ASSY,VALVE-PROTECTION,TDMSL
13	1	61030	HOSE,3/4,200,BLACK,SYN-RBR,SYN-YRN
14	1	70108-HCS	SCREW,1/4-20x.75,HHCS,SST
15	2	70180-HCS	SCREW,3/8-16x1.00,HHCS,SST
16	1	71011-NCS	NUT,1/4-20,HEX,LOCK,SST
17	2	71013-NCS	NUT,3/8-16,HEX,LOCK,SST
18	6	71511-FS	WASHER,1/4,FLAT,SST
19	1	75103	CLAMP,HOSE,#12,.75H,SST
20	1	11250322	MANIFOLD,FOAMER,OVERGLOW,TDMSL

FRONT BRIDGE RIGHT HAND SIDE BRUSH MOTORS-11220054



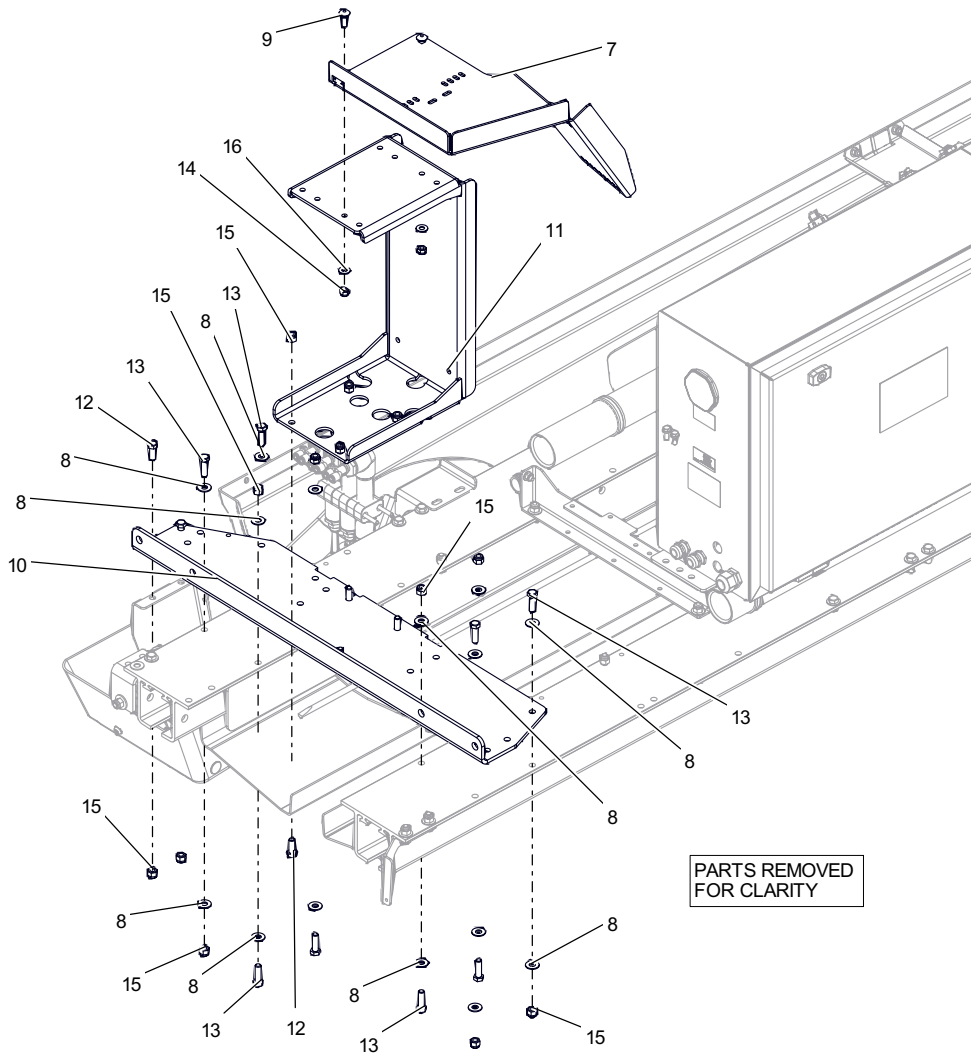
BOM ID	Qty	PartNo	Description
1	1	05120028	KEY STOCK 8mm x 7mm x 1M, 18-8-SST, UNDERSIZED
2	1	01120016	TUBING, .38ODx.06W, 230psi@70F, LLDPE, BLACK
3	3	03080035	PLUG, DRAIN, MOTOR, PP-PLASTIC
4	1	03130086	NIPPLE, 1/2NPTx1.50", NPTxNO-THD, SC80, PVC
5	1	03350017	GREASE-FITTING, STR, 1/4-28-TAPER-THD
6	1	04080644	HARNESS, SIDE-BR, MTR, DUAL, TRLY, TDMSL
7	1	04120067	MOTOR, .75HP, 1080, IEC80, 208-230/460V, TENV
8	1	04450023	STRAIN-RELIEF, M20, .276-.492", GND-CONN
9	2	05030022	WASHER, M8, FLAT, SST
10	16	05030067	WASHER, 3/8, FLAT, 7/8-OD, .050THK, SST
11	2	05040022	SCREW, M8x20mm, HSHCS, SST
12	1	06010064	BEARING, THRUST, BALL, 20mm, 3-PIECE, STL
13	2	06060030	BUMPER, DAMPENER, RBR, 1.25x2.50x1.50, ICON
14	1	06150149	SHAFT, SIDE-BRUSH, WELDED, SST, MOTO-V, ICON
15	1	06160467	COVER, BEARING, THRUST, SIDE-BRUSH, ICON
16	2	06160565	COVER, BUMPER, SIDE-BRUSH, FB, TDMSL
17	1	06240556	PLATE, SIDE-BRUSH, SUPPORT, MOTOV, ICON
18	1	06250158	FRAME, TROLLEY, SIDE-BR, LOWER, SST, TDMSL
19	1	06280067	GEARBOX, RTANG, 15:1, IEC80, MRVC, SST-BORE
20	2	06390024	SPACER, PLATE, SIDE-BRUSH-SUP, ICON, MV
21	1	19201	PIN, COTTER, .12x1.00, SST
22	1	24040-PB	TUBE-FTG, CONN, 3/8Tx1/2NPT, PUSH, BRS
23	1	67491-4N	ELBOW, STREET, 1/2NPT, 90DEG, NYL
24	1	67796-4N	COUPLING, 1/2NPT, SCH40, PVC
25	4	70108-SCS	SCREW, 1/4-20x.75, PPHMS, SST
26	8	70182-HCS	SCREW, 3/8-16x1.50, HHCS, SST
27	8	71013-NCS	NUT, 3/8-16, HEX LOCK, SST
28	1	71017-NCS	NUT, 5/8-11, HEX LOCK, SST

FRONT BRIDGE ELECTRICAL BOXES RACEWAYS-09140038



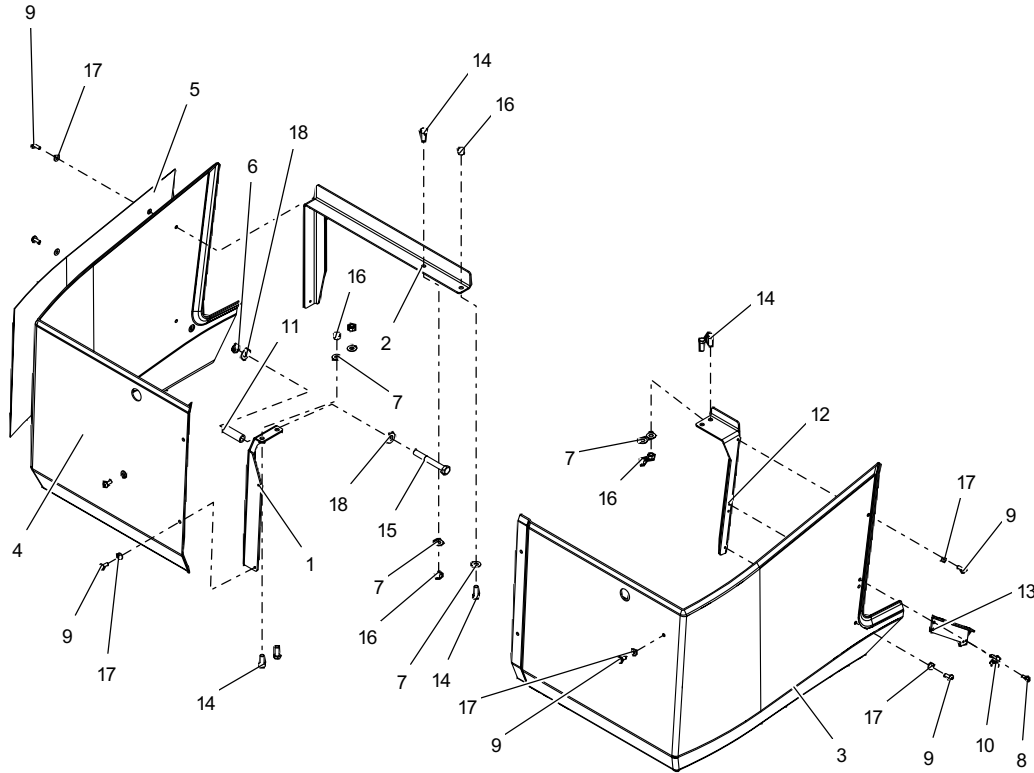
BOM ID	Qty	PartNo	Description
1	3	04570035	RACEWAY,BRIDGE,PVC,LONG,LW360PLUS
2	3	04570036	RACEWAY,BRIDGE,PVC,SHORT,LW360PLUS
3	4	05030067	WASHER,3/8,FLAT,7/8-OD,.050THK,SST
4	1	04090156	ENCLOSURE,BRIDGE,ELECTRICAL,LW360P
5	1	11010316	CONTROL-BOX,BRIDGE,208-240V,60HZ,LWAXP
6	12	05050053	CLAMP,CUSHION,2-1/2",SST
7	8	70108-SCS	SCREW,1/4-20x.75,PPHMS,SST
8	4	70180-HCS	SCREW,3/8-16x1.00,HHCS,SST
9	8	71011-NCS	NUT,1/4-20,HEX,LOCK,SST
10	4	71013-NCS	NUT,3/8-16,HEX,LOCK,SST
11	8	71511-FS	WASHER,1/4,FLAT,SST

FRONT BRIDGE RIGHT HAND UTILITY GUIDE-09140038



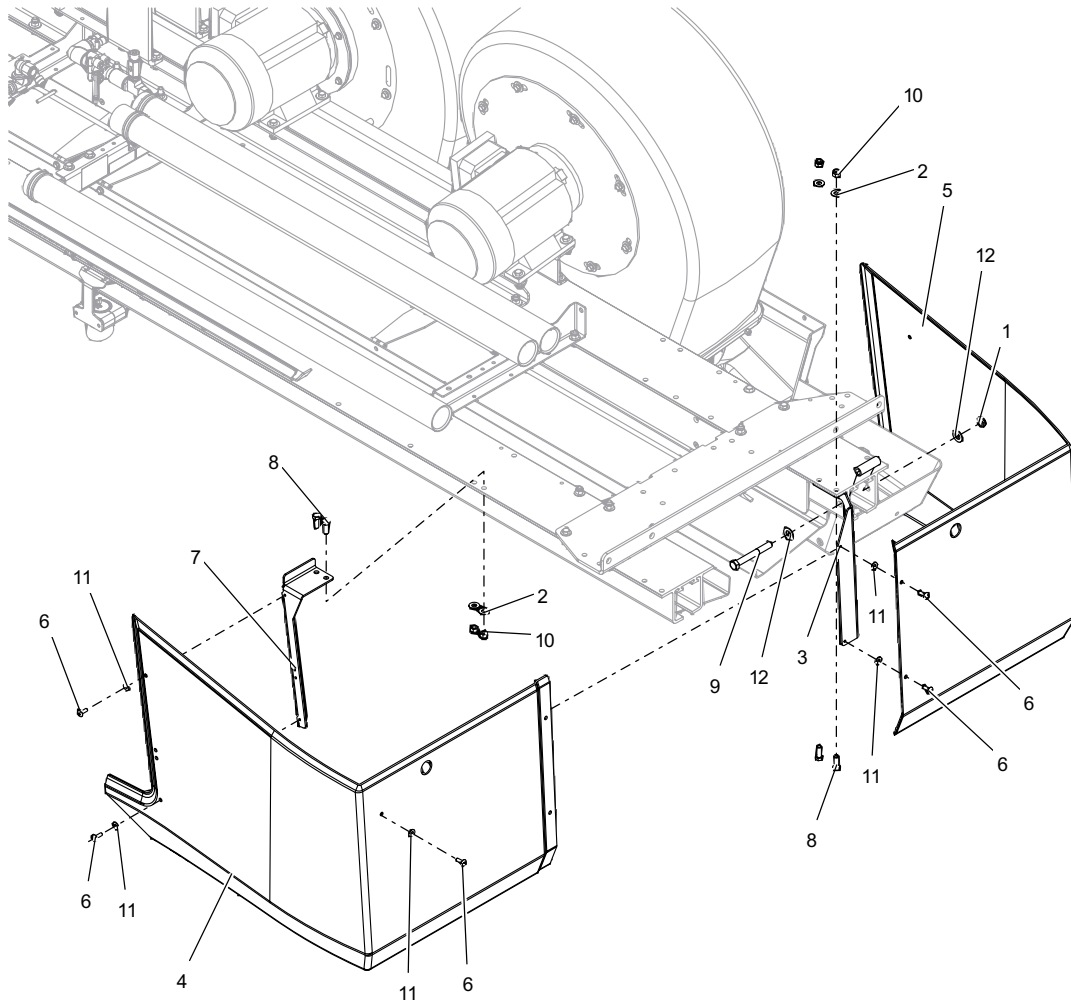
BOM ID	Qty	PartNo	Description
7	1	06141219-LH	BRACKET,UTILITY-GUIDE,LEFT,BRIDGE,LW360
8	15	05030067	WASHER,3/8,FLAT,7/8-OD,.050THK,SST
9	2	05040262	BOLT,5/16-18x1.00,CARRIAGE,SST
10	1	06140990	BRACKET,END-PLATE,BRIDGE-MNT,LASERWASH
11	1	06141217	BRACKET,E-CHAIN-MOUNT,BRIDGE,LW360PLUS
12	6	70180-HCS	SCREW,3/8-16x1.00,HHCS,SST
13	8	70181-HCS	SCREW,3/8-16x1.25,HHCS,SST
14	2	71012-NCS	NUT,5/16-18,HEX,LOCK,SST
15	13	71013-NCS	NUT,3/8-16,HEX,LOCK,SST
16	2	71512-FS	WASHER,5/16,FLAT,SST

FRONT BRIDGE LH SIDE COVERS-09140038



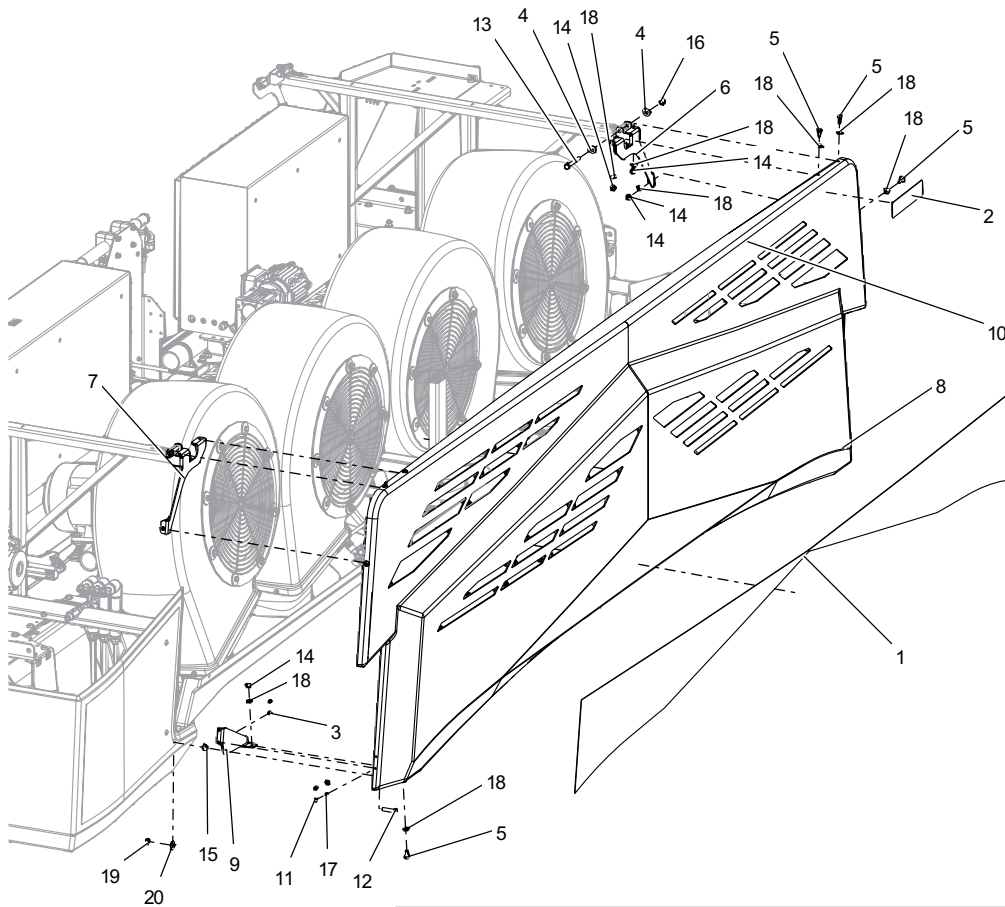
BOM ID	Qty	PartNo	Description
1	1	06141553-LH	BRACKET,CRNR-CVRS,FB,SHARED,TDMSL,LH
2	1	06141554-LH	BRACKET,CRNR-COVER,FB,EXIT,TDMSL,LH
3	1	06160533	COVER,BRIDGE,CRNR,ENTR-LH,TDMSL
4	1	06160542	COVER,FB,CRNR,EXIT-LH,TDMSL
5	1	02030860	DECAL,BRIDGE,EXT,LH,TDMSL
6	1	05020076	NUT,1/2-13,HEX LOCK,JAM,SST
7	6	05030067	WASHER,3/8,FLAT,7/8-OD,.050THK,SST
8	1	05040068	SCREW,M5x16mm,PPHMS,SST
9	7	05040133	SCREW,1/4-20x.75,PTHMS,SST
10	2	05040402	SCREW,1/4-20X.62,HHFS,SERRATED,SST
11	1	06060033	BUMPER,END-STOP,POLYURETHANE,1/2"ID,TDMSL
12	1	06141550-LH	BRACKET,CRNR-COVER,ENTR,IN,LH,TDMSL
13	1	06141594-LH	BRACKET,CATCH,CTR-CVR,LH,TDMSL
14	6	70180-HCS	SCREW,3/8-16x1.00,HHCS,SST
15	1	70267-HCS	SCREW,1/2-13x4.00,HHCS,SST
16	6	71013-NCS	NUT,3/8-16,HEX LOCK,SST
17	7	71511-FS	WASHER,1/4,FLAT,SST
18	2	71515-FS	WASHER,1/2,FLAT,SST,MIL-SPEC

FRONT BRIDGE RH SIDE COVERS-09140038



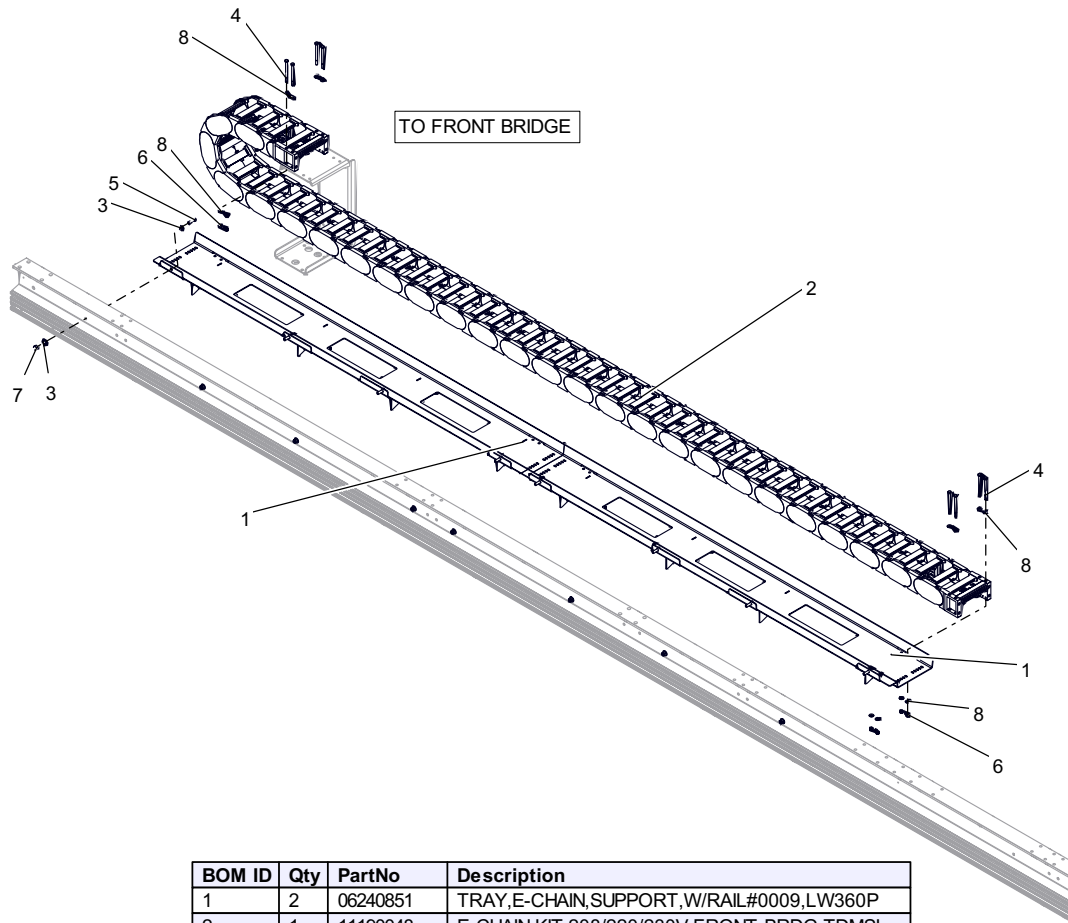
BOM ID	Qty	PartNo	Description
1	1	05020076	NUT, 1/2-13, HEX LOCK, JAM, SST
2	4	05030067	WASHER, 3/8, FLAT, 7/8-OD, .050THK, SST
3	1	06141553-RH	BRACKET, CRNR-CVRS, FB, SHARED, TDMSL, RH
4	1	06160534	COVER, BRIDGE, CRNR, ENTR-RH, TDMSL
5	1	06160543	COVER, FB, CRNR, EXT-RH, TDMSL
6	5	05040133	SCREW, 1/4-20x.75, PTHMS, SST
7	1	06141550-RH	BRACKET, CRNR-COVER, ENTR, IN, RH, TDMSL
8	4	70180-HCS	SCREW, 3/8-16x1.00, HHCS, SST
9	1	70267-HCS	SCREW, 1/2-13x4.00, HHCS, SST
10	4	71013-NCS	NUT, 3/8-16, HEX LOCK, SST
11	5	71511-FS	WASHER, 1/4, FLAT, SST
12	2	71515-FS	WASHER, 1/2, FLAT, SST, MIL-SPEC

FRONT BRIDGE EXIT COVER-09140038



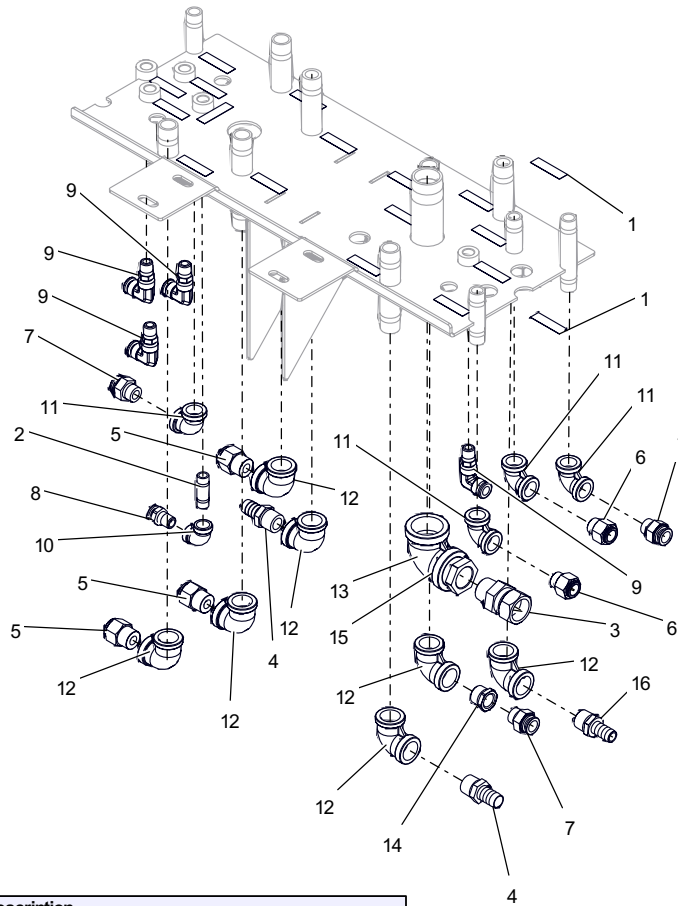
BOM ID	Qty	PartNo	Description
1	1	02030862	DECAL,BRIDGE,EXT,CENTER,TDMSL
2	1	02030864	DECAL,PDQINC.COM
3	4	05020018	NUT,#8-32,HEX LOCK,SST
4	4	05030067	WASHER,3/8,FLAT,7/8-OD,.050THK,SST
5	8	05040133	SCREW,1/4-20x.75,PTHMS,SST
6	1	06141565	BRACKET,HINGE,CVR,ENT-RH/EXT-LH,TDMSL
7	1	06141566	BRACKET,HINGE,CVR,ENT-LH/EXT-RH,TDMSL
8	1	06141597-LH	BRACKET,LATCH,CTR-CVR,EXT,LH,TDMSL
9	1	06141597-RH	BRACKET,LATCH,CTR-CVR,EXT,RH,TDMSL
10	1	06160530	COVER,BRIDGE,CENTER,DRYER,TDMSL
11	4	70035-SCS	SCREW,#8-32x.63,PRHMS,SST
12	2	70182-HCS	SCREW,3/8-16x1.50,HHCS,SST
13	2	70188-HCS	SCREW,3/8-16x3.00,HHCS,SST
14	8	71011-NCS	NUT,1/4-20,HEX LOCK,SST
15	2	71013-HCS	NUT,3/8-16,HEX,SST
16	2	71013-NCS	NUT,3/8-16,HEX LOCK,SST
17	4	71508-FS	WASHER,#8,FLAT,SST
18	16	71511-FS	WASHER,1/4,FLAT,SST
19	2	05020054	NUT,3/8-16,HEX LOCK,JAM,SST
20	2	71513-FS	WASHER,3/8,FLAT,1-OD,.083THK,SST

FRONT BRIDGE ECHAIN-06240851



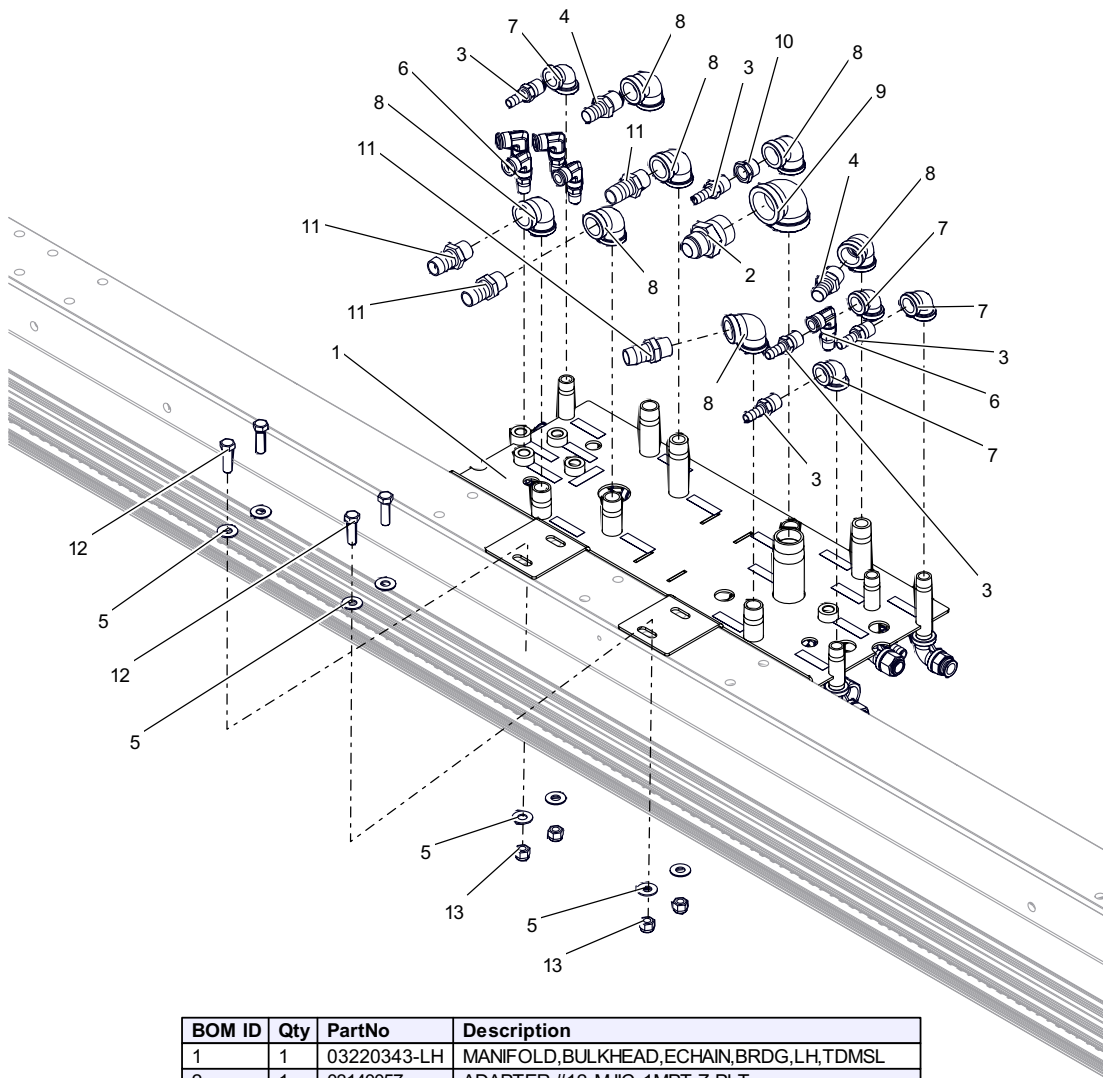
BOM ID	Qty	PartNo	Description
1	2	06240851	TRAY,E-CHAIN,SUPPORT,W/RAIL#0009,LW360P
2	1	11190048	E-CHAIN,KIT,208/220/230V,FRONT-BRDG,TDMSL
3	16	05030067	WASHER,3/8,FLAT,7/8-OD,.050THK,SST
4	8	70157-HCS	SCREW,5/16-18x4.00,HHCS,SST
5	8	70181-HCS	SCREW,3/8-16x1.25,HHCS,SST
6	8	71012-NCS	NUT,5/16-18,HEX,LOCK,SST
7	8	71013-NCS	NUT,3/8-16,HEX,LOCK,SST
8	16	71512-FS	WASHER,5/16,FLAT,SST

MAIN RAIL BRIDGE ECHAIN BULKHEAD FITTINGS RH FEEDS-11250325



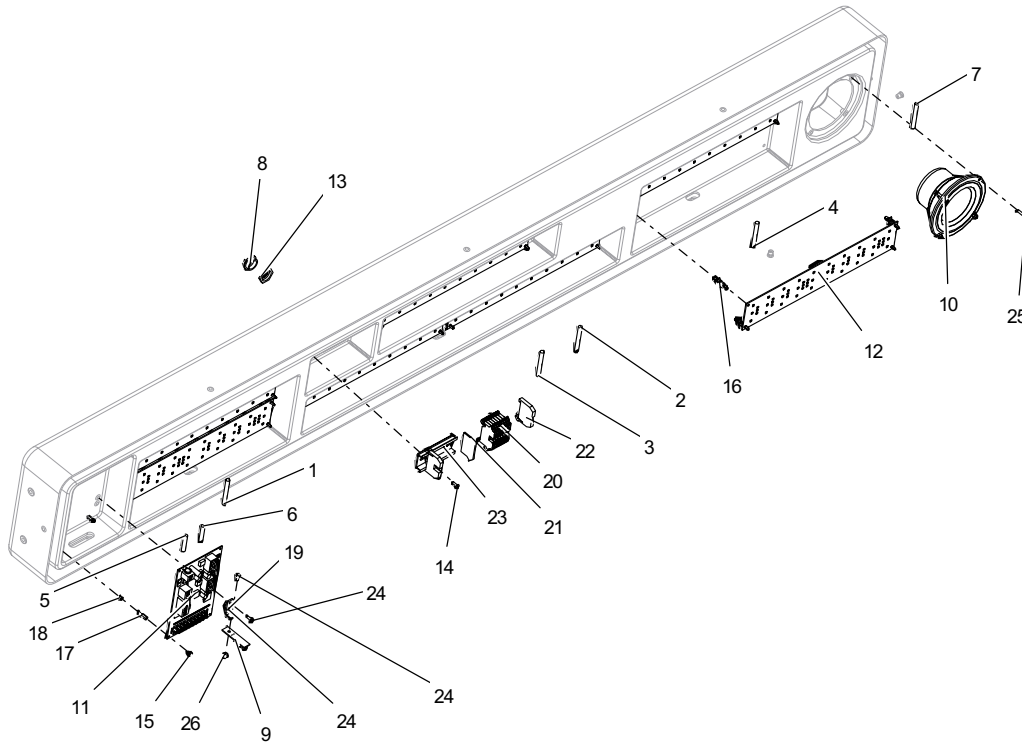
BOM ID	Qty	PartNo	Description
1	2	02030839	DECAL, BULKHEAD, FLUID-CONNECTIONS, TDMSL
2	1	03130076	NIPPLE, 1/4NPTx1.50, SC40, BRS
3	1	03140066	ADAPTER, 3/4MNPTx#12FJIC, SWIVEL, Z-PLT
4	2	03310046	HOSE-BARB, 5/8Hx1/2MNPT, BRS
5	3	03320069	TUBE-FTG, 16mmTx1/2MNPT, BRASS
6	2	03320070	TUBE-FTG, CONN, 1/2Tx3/8NPT, PUSH, BRASS
7	3	03320071	TUBE-FTG, CONN, 1/2Tx3/8NPT, PUSH, SST
8	1	24036-PB	TUBE-FTG, CONN, 3/8Tx1/4NPT, PUSH, BRS
9	4	24348-PB	TUBE-FTG, ELBOW, 3/8Tx1/4NPT, SWVL, BRS
10	1	67402-4S	ELBOW, 1/4NPT, 90DEG, SC40, SST, SP114
11	4	67404-4S	ELBOW, 3/8NPT, 90DEG, SC40, SST, SP114
12	7	67406-4S	ELBOW, 1/2NPT, 90DEG, SC40, SST, SP114
13	1	67410-4S	ELBOW, 1NPT, 90DEG, SC40, SST, SP114
14	1	67705-S	BUSHING, 1/2NPTx3/8NPT, SST
15	1	67714-S	BUSHING, 1NPTx3/4NPT, SST
16	1	68117-MHB	HOSE-BARB, 1/2Hx1/2MNPT, BRS

MAIN RAIL BULKHEAD FITTINGS-11250325



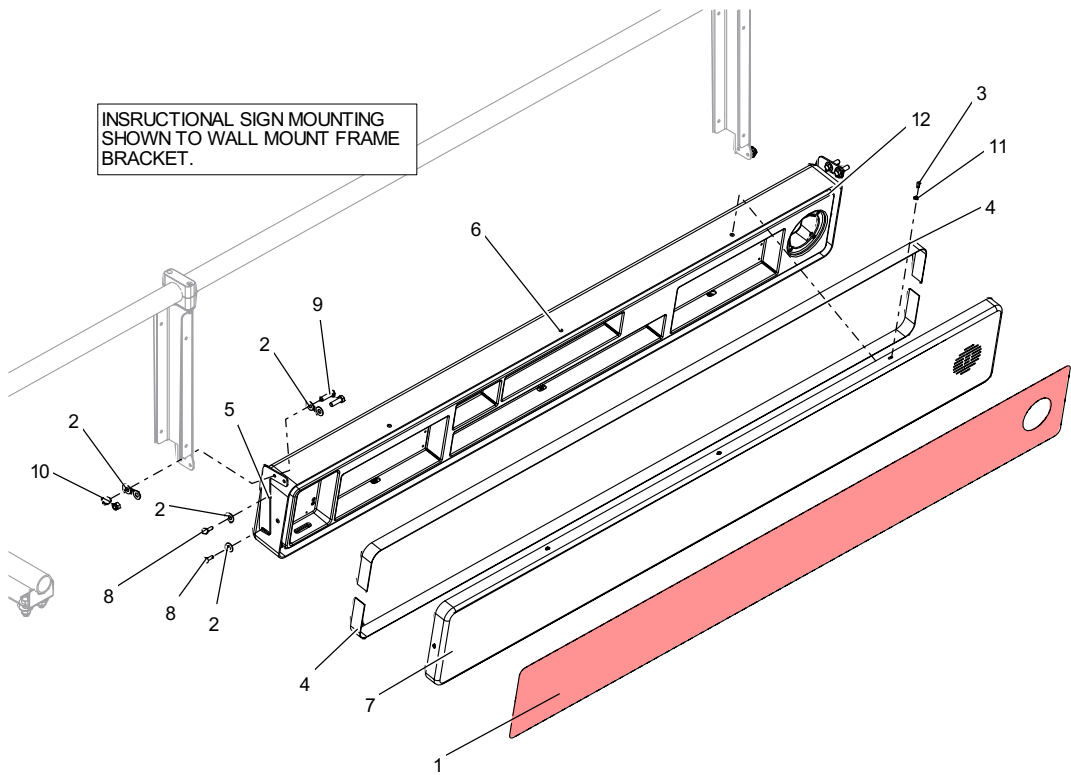
BOM ID	Qty	PartNo	Description
1	1	03220343-LH	MANIFOLD,BULKHEAD,ECHAIN,BRDG,LH,TDMSL
2	1	03140057	ADAPTER,#12-MJICx1MPT,Z-PLT
3	5	03310038	HOSE-BARB,3/8Hx3/8MNPT,SST
4	2	03310046	HOSE-BARB,5/8Hx1/2MNPT,BRS
5	8	05030067	WASHER,3/8,FLAT,7/8-OD,.050THK,SST
6	5	24348-PB	TUBE-FTG,ELBOW,3/8Tx1/4NPT,SWVL,BRS
7	4	67404-4S	ELBOW,3/8NPT,90DEG,SC40,SST,SP114
8	7	67406-4S	ELBOW,1/2NPT,90DEG,SC40,SST,SP114
9	1	67410-4S	ELBOW,1NPT,90DEG,SC40,SST,SP114
10	1	67705-S	BUSHING,1/2NPTx3/8NPT,SST
11	4	68122-MHB	HOSE-BARB,3/4Hx1/2MNPT,BRS
12	4	70181-HCS	SCREW,3/8-16x1.25,HHCS,SST
13	4	71013-NCS	NUT,3/8-16,HEX,LOCK,SST

IN-BAY INSTRUCTIONAL SIGN INTERNAL-09020252



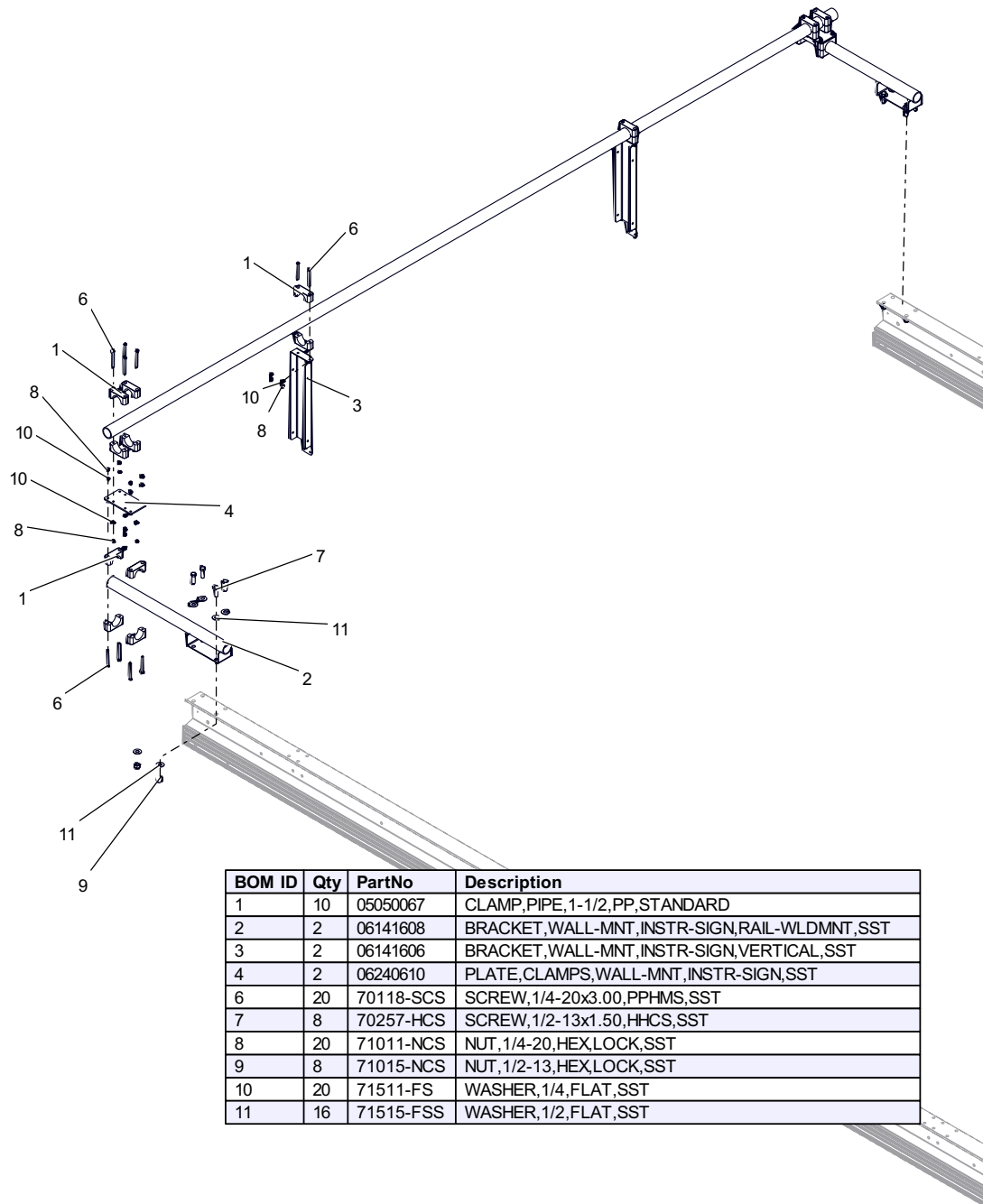
BOM ID	Qty	PartNo	Description
1	1	04080688	HARNESS,LOADING,SIGN,STOP,LED,TDMSL
2	1	04080689	HARNESS,LOADING,SIGN,BACK-UP,LED,TDMSL
3	1	04080690	HARNESS,LOADING,SIGN,FWO,LED,TDMSL
4	1	04080691	HARNESS,LOADING,SIGN,PARK,LED,TDMSL
5	1	04080692	HARNESS,LOADING,SIGN,COMM,TANDEM
6	1	04080693	HARNESS,LOADING,SIGN,POWER,TANDEM
7	1	04080694	HARNESS,LOADING,SIGN,AUDIO,TANDEM
8	1	04330013	PLUG,HOLE,M20x1.5,POLYSTYRENE,GRAY
9	1	04420053	SENSOR,IR,40-KHZ,VCC5,CABLE,ASSY,TDMSL
10	1	04550010	SPEAKER,4",8-OHM,15-WATT
11	1	04580044	CIRCUIT-BOARD,INTERFACE,INFRARED,MDX
12	7	04580049	CIRCUIT-BOARD,LED,SMD,3-COLOR
13	1	05020069	NUT,M20x1.5,NYL,GRAY
14	2	05040100	SCREW,M3x10mm,PPHMS,SST,SST
15	4	05040140	SCREW,M3x6mm,PPHMS,SST
16	28	05130025	STAND-OFF,SNAP-IN,PCB-MT,INBAY/CONFIRM
17	4	05130043	STAND-OFF,M3x10mm,HEX NYLON
18	4	05180049	INSERT,NUT,M-3,BRASS,RH-THREAD,PRESS,FIT
19	1	06141549	BRACKET,IR-SENSOR,MOUNTING,TANDEM
20	7	36506	TERMINAL-BLK,26-12GA,2P,PLST,280-601
21	1	36606	END-PLATE,FRONT,2P,PLST,280-331
22	2	36650	END-STOP,6mm,PLST,GRAY,249-116
23	1	36950-3.00	DIN-RAIL,35mmx3.00",AL
24	3	70013-SCS	SCREW,#6-32x.38,SRHMS,SST
25	4	70018-SCS	SCREW,#6-32x.75,SRHMS,SST
26	1	71006-NCS	NUT,HEX,#6-32,LOCK,SST

IN-BAY INSTRUCTIONAL SIGN EXTERNAL-09020252



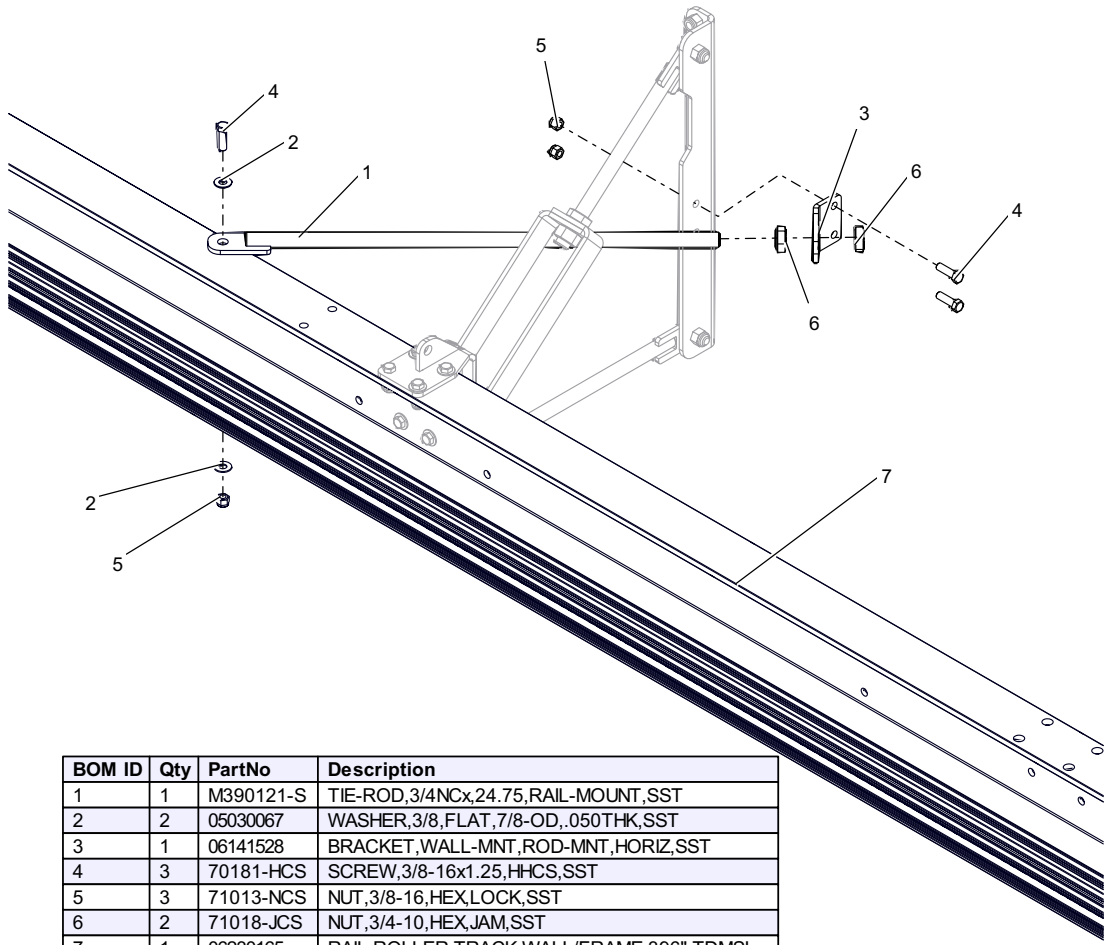
BOM ID	Qty	PartNo	Description
1	1	02030821	DECAL,SIGN-GRAPHICS,IN-BAY,TANDEM
2	10	05030067	WASHER,3/8,FLAT,7/8-OD,.050THK,SST
3	8	05040194	SCREW,#6-32x.50,STHMS,SST
4	2	06070078	GASKET,INSTRUCTION-SIGN,NPRN,TDMSL
5	2	06141586	BRACKET,SIGN-MOUNT,FRAME,TDMSL
6	1	06240961	PANEL,SIGN,MOLDED,BACK,INSTR,CROSS-BAY
7	1	06420314	SIGN-FACE,CROSS-BAY,MOLDED,TRANSLUCENT
8	4	70108-HCS	SCREW,1/4-20x.75,HHCS,SST
9	4	70181-HCS	SCREW,3/8-16x1.25,HHCS,SST
10	4	71013-NCS	NUT,3/8-16,HEX,LOCK,SST
11	8	71506-FS	WASHER,#6,FLAT,SST
12	2	71511-FS	WASHER,1/4,FLAT,SST

IN-BAY INSTRUCTIONAL SIGN MOUNT BRACKET-09050048



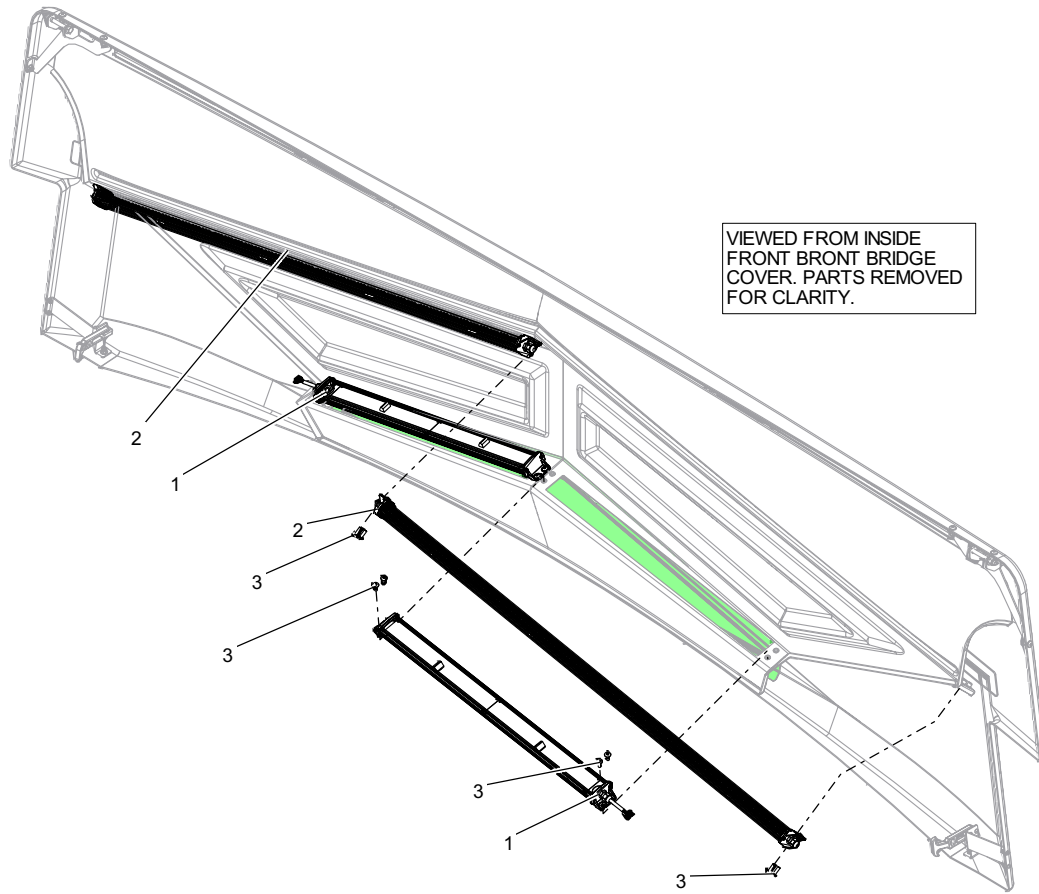
BOM ID	Qty	PartNo	Description
1	10	05050067	CLAMP,PIPE,1-1/2,PP,STANDARD
2	2	06141608	BRACKET,WALL-MNT,INSTR-SIGN,RAIL-WLDMNT,SST
3	2	06141606	BRACKET,WALL-MNT,INSTR-SIGN,VERTICAL,SST
4	2	06240610	PLATE,CLAMPS,WALL-MNT,INSTR-SIGN,SST
6	20	70118-SCS	SCREW,1/4-20x3.00,PPHMS,SST
7	8	70257-HCS	SCREW,1/2-13x1.50,HHCS,SST
8	20	71011-NCS	NUT,1/4-20,HEX,LOCK,SST
9	8	71015-NCS	NUT,1/2-13,HEX,LOCK,SST
10	20	71511-FS	WASHER,1/4,FLAT,SST
11	16	71515-FSS	WASHER,1/2,FLAT,SST

HORIZONTAL MAIN RAIL SUPPORT WALL-MOUNT BRACKET-09050048



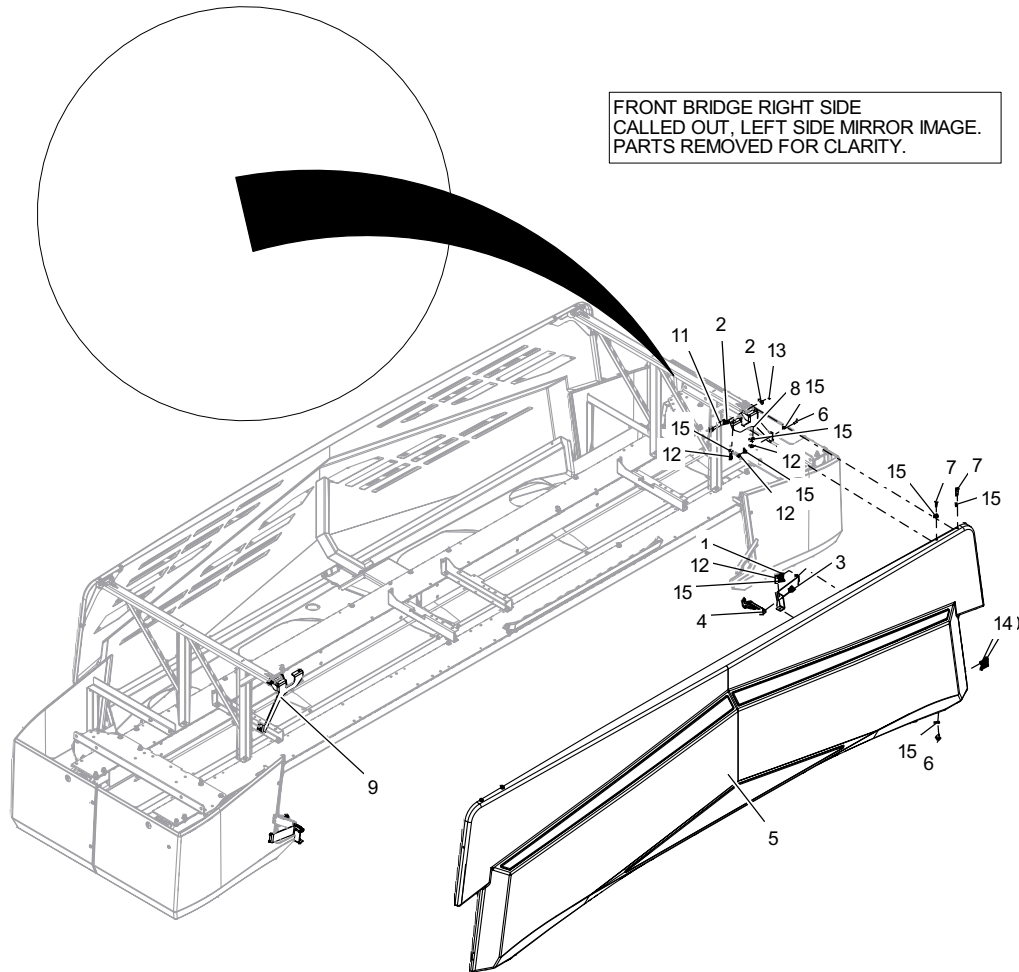
BOM ID	Qty	PartNo	Description
1	1	M390121-S	TIE-ROD,3/4NCx,24.75,RAIL-MOUNT,SST
2	2	05030067	WASHER,3/8,FLAT,7/8-OD,.050THK,SST
3	1	06141528	BRACKET,WALL-MNT,ROD-MNT,HORIZ,SST
4	3	70181-HCS	SCREW,3/8-16x1.25,HHCS,SST
5	3	71013-NCS	NUT,3/8-16,HEX,LOCK,SST
6	2	71018-JCS	NUT,3/4-10,HEX,JAM,SST
7	1	06230165	RAIL,ROLLER,TRACK,WALL/FRAME,396",TDMSL

FRONT BRIDGE ENTRANCE COVER LIGHTS-09140038



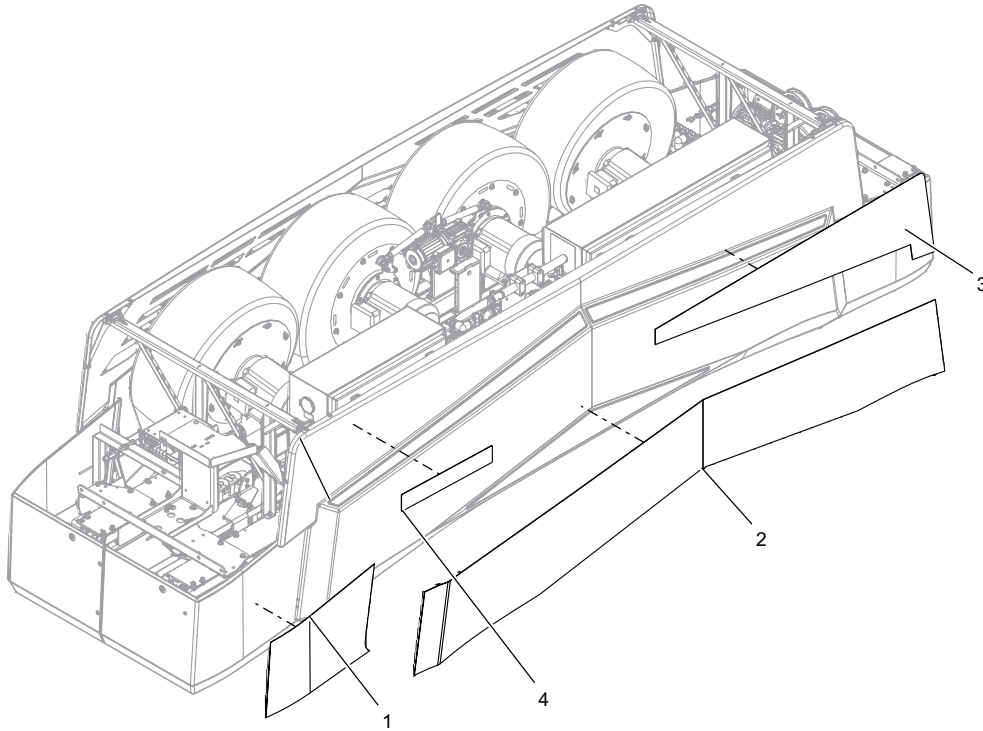
BOM ID	Qty	PartNo	Description
1	2	11310129	LIGHT,LED,ENT-COV,2-BOARD,TDMSL
2	2	11310130	LIGHT,LED,ENT-COV,4-BOARD,TDMSL
3	16	05040133	SCREW,1/4-20x.75,PTHMS,SST

FRONT BRIDGE ENTRANCE COVER MOUNT-09140038



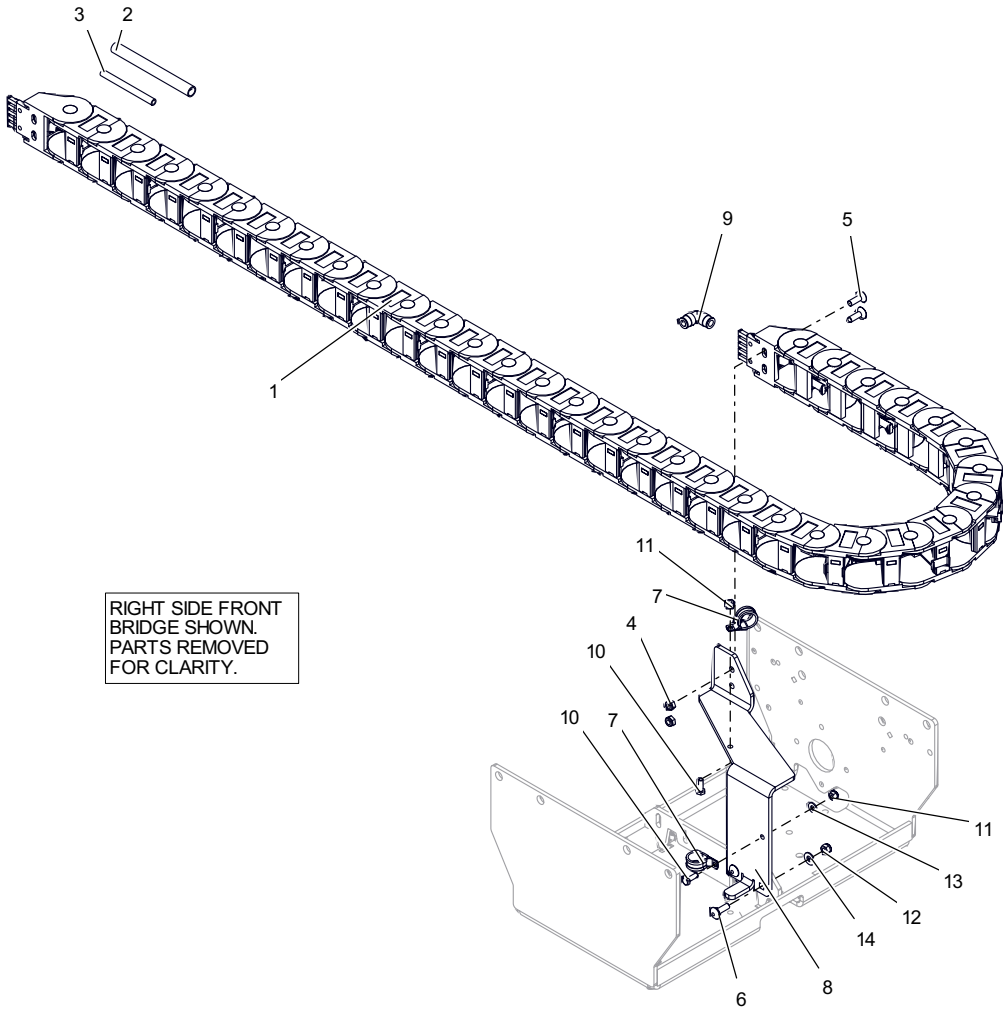
BOM ID	Qty	PartNo	Description
1	4	05020018	NUT,#8-32,HEX LOCK,SST
2	4	05030067	WASHER,3/8,FLAT,7/8-OD,.050THK,SST
3	4	05040068	SCREW,M5x16mm,PPHMS,SST
4	2	02050007	LATCH,DRAW,FLEXIBLE,PLSTC
5	1	06160531	COVER,BRIDGE,CENTER,GLOW,ASSM,TDMSL
6	4	05040133	SCREW,1/4-20x.75,PTHMS,SST
7	4	05040201	SCREW,1/4-20x1.00,PTHMS,SST
8	1	06141565	BRACKET,HINGE,CVR,ENT-RH/EXT-LH,TDMSL
9	1	06141566	BRACKET,HINGE,CVR,ENT-LH/EXT-RH,TDMSL
10	4	70035-SCS	SCREW,#8-32x.63,PRHMS,SST
11	2	70188-HCS	SCREW,3/8-16x3.00,HHCS,SST
12	8	71011-NCS	NUT,1/4-20,HEX LOCK,SST
13	2	71013-NCS	NUT,3/8-16,HEX LOCK,SST
14	4	71508-FS	WASHER,#8,FLAT,SST
15	16	71511-FS	WASHER,1/4,FLAT,SST

FRONT BRIDGE ENTRANCE COVER DECALS-09140038



BOM ID	Qty	PartNo	Description
1	1	02030857	DECAL,BRIDGE,ENTR,LH,TDMSL
2	1	02030858	DECAL,BRIDGE,ENTR,CTR,LOWER,TDMSL
3	1	02030859	DECAL,BRIDGE,ENTR,CTR,UPPER,TDMSL
4	1	02030863	DECAL,PDQ-LOGO,DRIVE-CLEAN

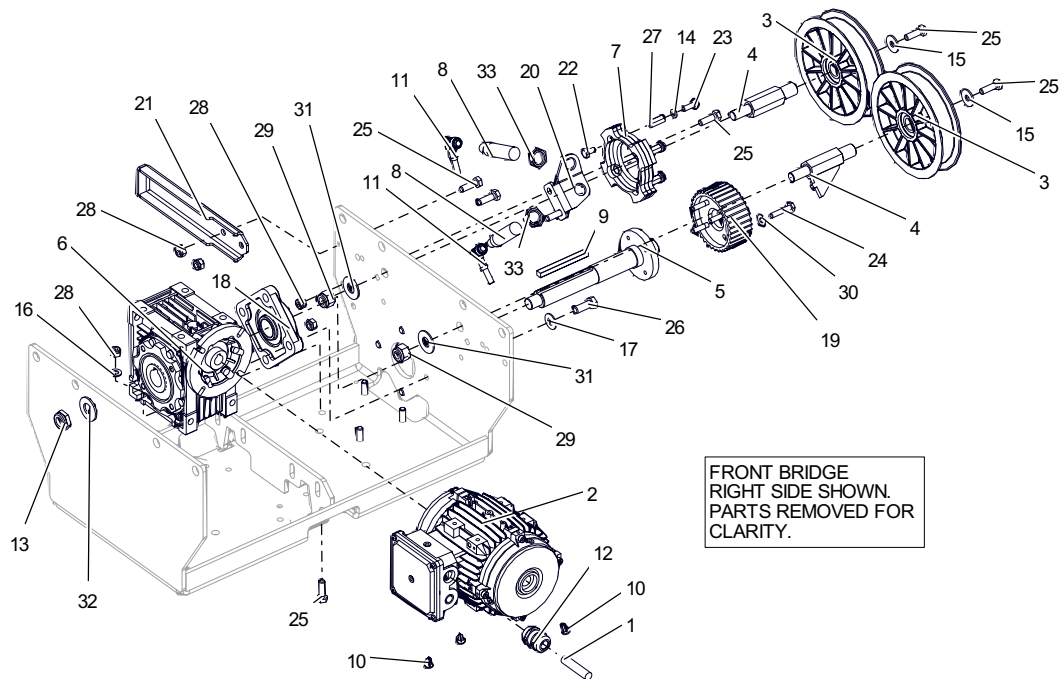
FRONT BRIDGE RIGHT HAND TROLLEY ECHAIN-11220054



RIGHT SIDE FRONT BRIDGE SHOWN. PARTS REMOVED FOR CLARITY.

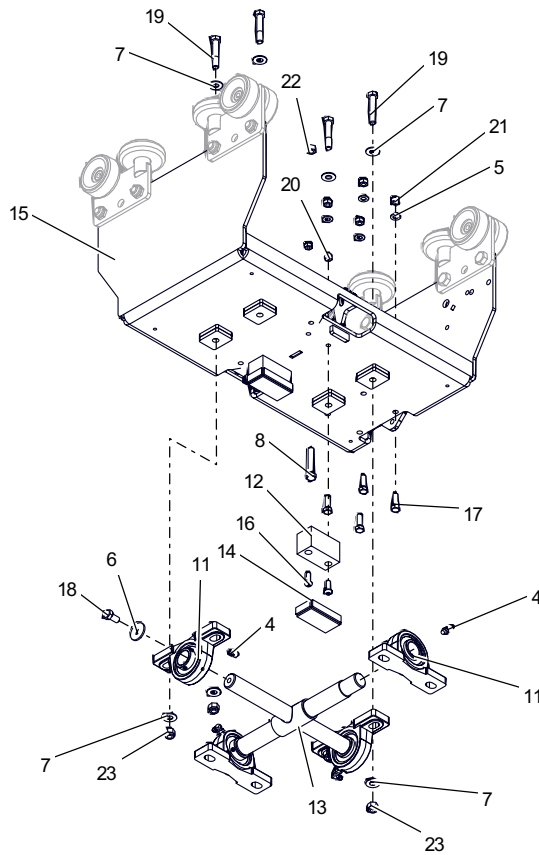
BOM ID	Qty	PartNo	Description
1	1	06050142	E-CHAIN, TRLY, FRONT-BRIDGE, 33-LINK, IGUS, TDMSL
2	1	01120012	TUBING, 5/8ODx1/2ID, POLYETHYLENE
3	1	01120016	TUBING, .38ODx.06W, 230psi@70F, LLDPE, BLACK
4	2	05020017	NUT, M8, HEX LOCK, SST
5	2	05040097	SCREW, M8x25mm, PFHMS, SST
6	2	05040262	BOLT, 5/16-18x1.00, CARRIAGE, SST
7	2	05050024	CLAMP, CUSHION, 1", SST
8	1	06141462-RH	BRACKET, ECHAIN, TROLLEY, MOVING, RH, TDMSL
9	1	24380-PB	TUBE-FTG, ELBOW, UNION, 3/8T, PUSH, BRS
10	2	70108-HCS	SCREW, 1/4-20x.75, HHCS, SST
11	2	71011-NCS	NUT, 1/4-20, HEX LOCK, SST
12	2	71012-NCS	NUT, 5/16-18, HEX LOCK, SST
13	1	71511-FS	WASHER, 1/4, FLAT, SST
14	2	71512-FS	WASHER, 5/16, FLAT, SST

FRONT BRIDGE RIGHT HAND TROLLEY DRIVE-11220054



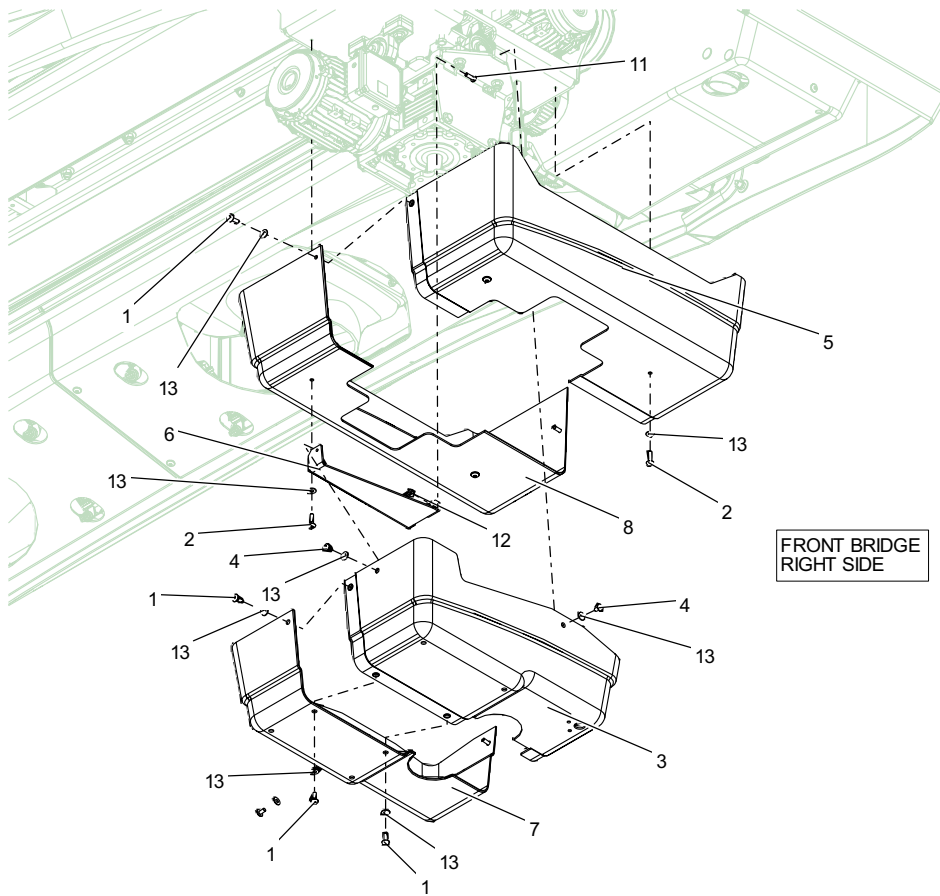
BOM ID	Qty	PartNo	Description
1	1	04080642	HARNES, TRLY, MTR, RH, DUAL, TRLYS, TDMSL
2	1	04120068	MOTOR, 5HP, 1680, IEC71, 208/460, TENV, FL
3	2	06030052	PULLEY, IDLER, 5.0"X1.00", FLAT, PLSTC
4	2	06150195	SHAFT, IDLER, DBL-BEARING, PUL, WGUSSET
5	1	06150217	SHAFT, DRIVE, TROLLEY, WELDED, SST, TDMSL
6	1	06280065	GEARBOX, RTANG, 20:1, IEC71, MRVC
7	1	06480063	FLAG, PULSE, NAVIG, SST, WELDMNT, LW360PLUS
8	2	93021	PROX 18mm, SHLD, 10-30VDC, NPN, LONG
9	1	01030004	KEY STOCK 8mm x 7mm x 1M, 18-8-SST, UNDERSIZED
10	3	03080035	PLUG, DRAIN, MOTOR, PP-PLASTIC
11	2	04080093	CORDSET, 12mm, 3/20AWG, 90°, 6m
12	1	04450023	STRAIN-RELIEF, M20, .276-.492", GND-CONN
13	1	05020077	NUT, 5/8-11, HEX, LOCK, JAM, SST
14	4	05030016	WASHER, M6, FLAT, SST
15	2	05030018	WASHER, M8, FENDER, SST
16	4	05030022	WASHER, M8, FLAT, SST
17	4	05030067	WASHER, 3/8, FLAT, 7/8-OD, .050THK, SST
18	1	06010075	BEARING, FLANGE, 4BOLT, 1.000"BORE, SST, ABT
19	1	06030053	PULLEY, TIMING, 8M, 34T, 20W, PLASTIC, TDMSL
20	1	06141284	BRACKET, PROX-MOUNT, NAVG, TROLLEY, LW360P
21	1	06180065	STOP, TROLLEY-MOTION, CENTER, ICON
22	4	70106-HCS	SCREW, 1/4-20x.50, HHCS, SST
23	4	70108-SCS	SCREW, 1/4-20x.75, PPHMS, SST
24	4	70111-HCS	SCREW, 1/4-20x1.25, HHCS, SST
25	10	70145-HCS	SCREW, 5/16-18x1.00, HHCS, SST
26	4	70180-HCS	SCREW, 3/8-16x1.00, HHCS, SST
27	4	71011-CCS	NUT, 1/4-20, CPLG, SST
28	8	71012-NCS	NUT, 5/16-18, HEX, LOCK, SST
29	2	71015-NCS	NUT, 1/2-13, HEX, LOCK, SST
30	4	71511-FS	WASHER, 1/4, FLAT, SST
31	2	71515-FSS	WASHER, 1/2, FLAT, SST
32	1	71517-FS	WASHER, 5/8, FLAT, SST
33	2	93021B	NUT, LOCKING, PROX 18mm - COMES WITH PROX

FRONT BRIDGE RIGHT HAND SIDE BRUSH SHAFT-11220054



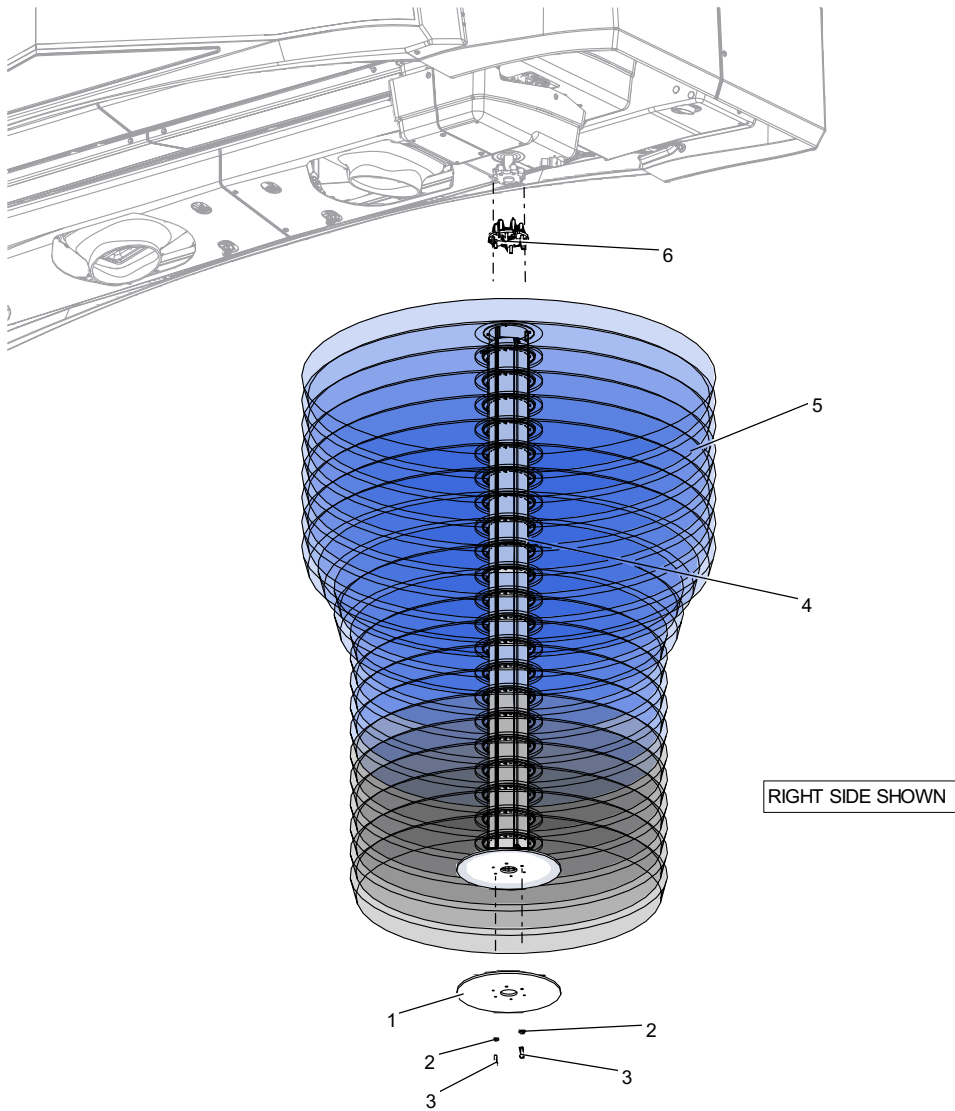
BOM ID	Qty	PartNo	Description
4	4	03350006	GREASE-FITTING,90°ANGLE,1/4-28-TAPER-THD
5	4	05030022	WASHER,M8,FLAT,SST
6	2	05030045	WASHER,M10,FENDER,SST
7	8	05030067	WASHER,3/8,FLAT,7/8-OD,.050THK,SST
8	1	05040223	SCREW,3/8-16x2.00,HHCS,FULL-THD,SST
11	4	06010076	BEARING,PILLOW,1.000"BORE,SST,ABT
12	2	06060030	BUMPER,DAMPENER,RBR,1.25x2.50x1.50,ICON
13	1	06150151	SHAFT,CROSS,SIDE-BRUSH,TILT,ICON,MTV
14	2	06160565	COVER,BUMPER,SIDE-BRUSH,FB,TDMSL
15	1	06250157	FRAME,TROLLEY,SIDE-BR,UPPER,SST,TDMSL
16	4	70108-SCS	SCREW,1/4-20x.75,PPHMS,SST
17	4	70145-HCS	SCREW,5/16-18x1.00,HHCS,SST
18	2	70178-HCS	SCREW,3/8-16x.75,HHCS,SST
19	4	70184-HCS	SCREW,3/8-16x2.00,HHCS,SST
20	4	71011-NCS	NUT,1/4-20,HEX,LOCK,SST
21	4	71012-NCS	NUT,5/16-18,HEX,LOCK,SST
22	1	71013-HCS	NUT,3/8-16,HEX,SST
23	4	71013-NCS	NUT,3/8-16,HEX,LOCK,SST

FRONT BRIDGE RIGHT HAND TROLLEY COVERS-11220054



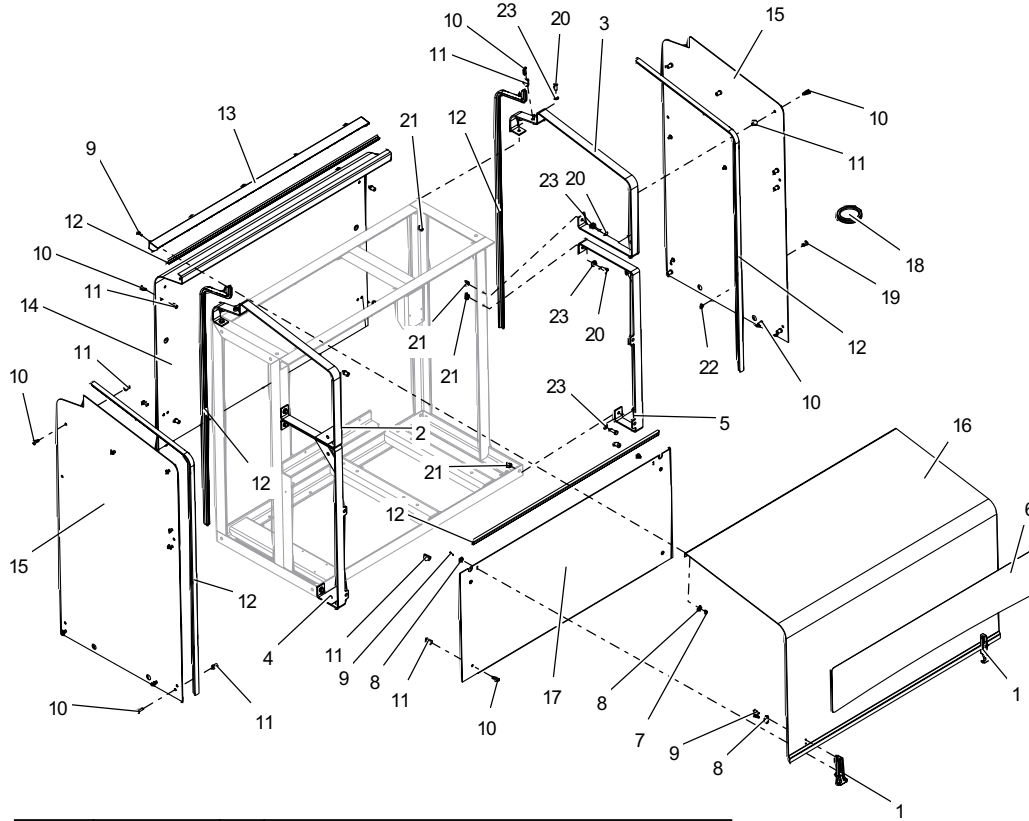
BOM ID	Qty	PartNo	Description
1	6	05040133	SCREW, 1/4-20x.75,PTHMS,SST
2	4	05040201	SCREW, 1/4-20x1.00,PTHMS,SST
3	1	06160521	COVER,TROLLEY,SIDE-BR,RH,LOW,OUT,TDMSL
4	3	05040260	SCREW, 1/4-20x.50,PTHMS,SST
5	1	06160540	COVER,TDMSL,TROLLEY,SIDE-BR,UPP,RH
6	1	06141481-RH	BRACKET,COVER,TRLY,RH,LOWER,TDMSL
7	1	06160522	COVER,TROLLEY,SIDE-BR,RH,LOW,IN,TDMSL
8	1	06160539	COVER,TDMSL,TROLLEY,SIDE-BR,UPP,LH
11	2	70108-SCS	SCREW, 1/4-20x.75,PPHMS,SST
12	2	71011-NCS	NUT, 1/4-20,HEX,LOCK,SST
13	13	71511-FS	WASHER, 1/4,FLAT,SST

FRONT BRIDGE RIGHT HAND SIDE BRUSH-06500081



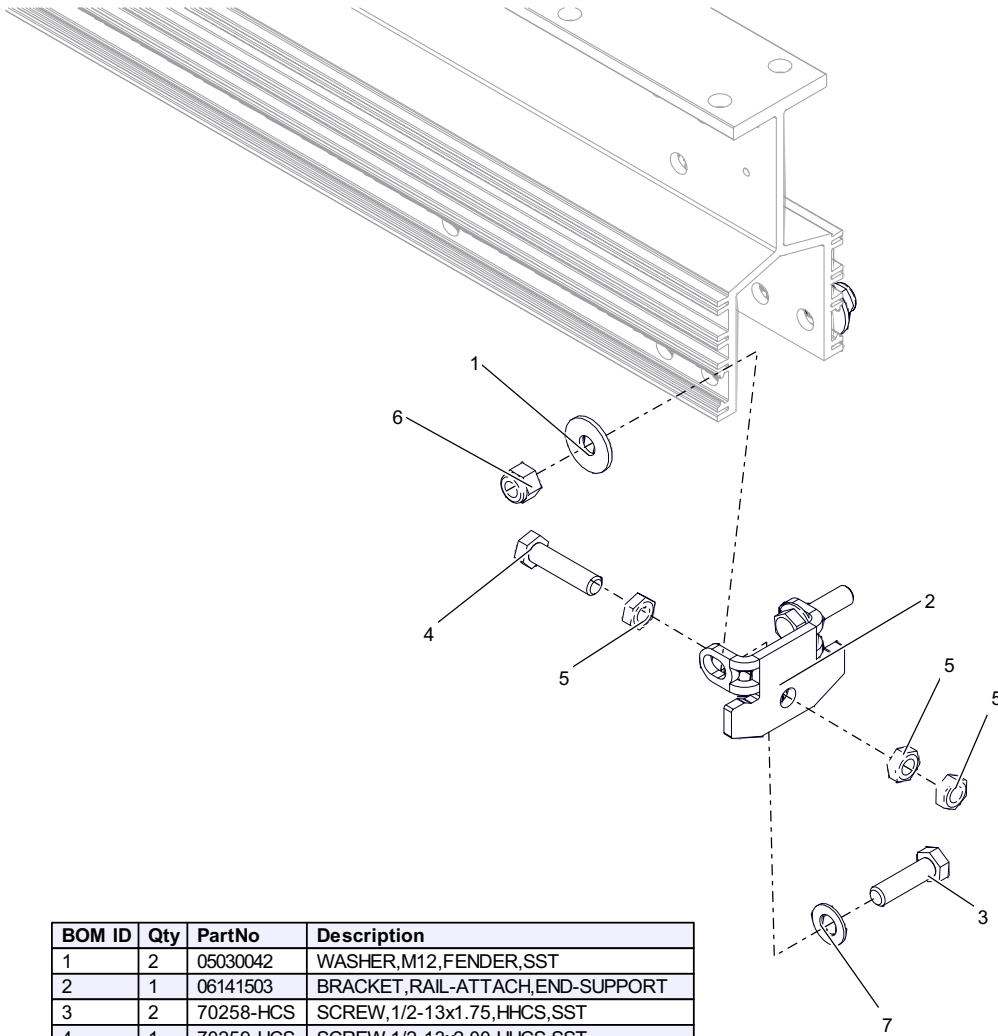
BOM ID	Qty	PartNo	Description
1	1	06240325	PLATE, SIDE-BRUSH, BRUSH-SUPPORT
2	2	71512-FS	WASHER, 5/16, FLAT, SST
3	2	70145-HCS	SCREW, 5/16-18x1.00, HHCS, SST
4	1	06500018	BRUSH, SIDE, TANDEM, 70" TALL, FOAM, BLUE
5	1	06500081	BRUSH, SIDE, FOAM, PROTOUCH, W/MOUNT-PLATE
6	1	11170025	MOUNT, PLATE, CORE, SIDE-BRUSH

PUMP STATION COVERS-11260147



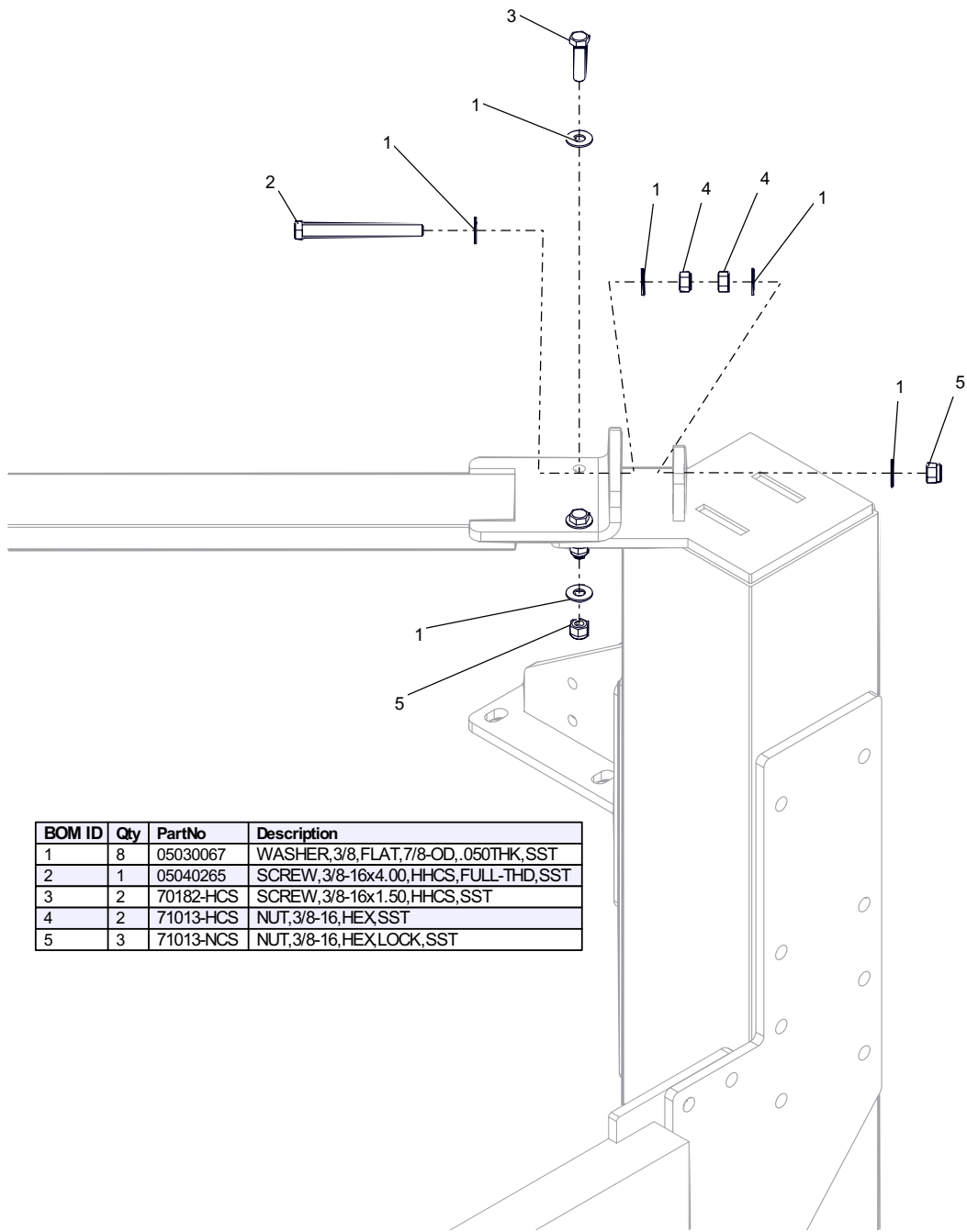
BOM ID	PartNo	Qty	Description
1	02050007	2	LATCH, DRAW, FLEXIBLE, PLSTC
2	06141244-LH	1	BRACKET, COVER, TOP, INBAY-PUMP, ICON, LH
3	06141244-RH	1	BRACKET, COVER, TOP, INBAY-PUMP, ICON, RH
4	06141245-LH	1	BRACKET, COVER, BOTTOM, INBAY-PUMP, ICON, RH
5	06141245-RH	1	BRACKET, COVER, BOTTOM, INBAY-PUMP, ICON, RH
6	02030855	1	DECAL, COVER, HP-PUMP, TDMSL
7	05020029	5	NUT, M5, HEX, LOCK, SST
8	05030047	11	WASHER, M5, FENDER, SST
9	05040068	11	SCREW, M5x16mm, PPHMS, SST
10	05040201	26	SCREW, 1/4-20x1.00, PTHMS, SST
11	05180006	28	INSERT, THREADED, 1/4UNC, NPRN, BRS
12	06070035	6	GASKET, HOUSING, IN-BAY, PMP, M5,
13	06140901	1	BRACKET, PUMP-STATION-COVER-SUPPORT, SST
14	06160359	1	COVER, REAR, INBAY-PUMP-STATION, LASERWASH
15	06160361	2	COVER, SIDE-PANEL, INBAY-PUMP-STATION, LW
16	06160362	1	COVER, TOP, INBAY-PUMP STATION, LASERWASH
17	06160363	1	COVER, LOWER-FRONT, PUMP-STATION, LASERWASH
18	06310008	1	GROMMET, 16x98x8mm, NEOPRENE
19	70108-SCS	4	SCREW, 1/4-20x.75, PPHMS, SST
20	70180-HCS	8	SCREW, 3/8-16x1.00, HHCS, SST
21	71013-NCS	8	NUT, 3/8-16, HEX, LOCK, SST
22	71511-FS	4	WASHER, 1/4, FLAT, SST
23	71513-FS	8	WASHER, 3/8, FLAT, SST

FREE STANDING FRAME RAIL END SUPPORTS-09050036



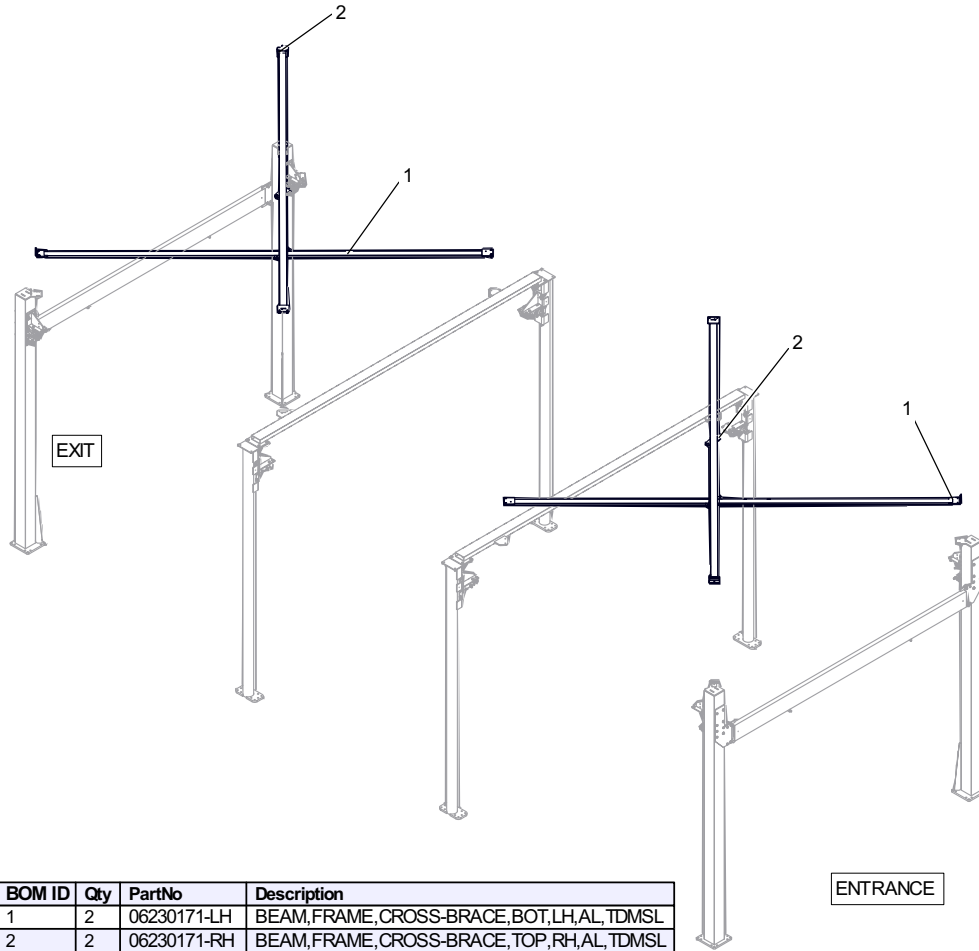
BOM ID	Qty	PartNo	Description
1	2	05030042	WASHER,M12,FENDER,SST
2	1	06141503	BRACKET,RAIL-ATTACH,END-SUPPORT
3	2	70258-HCS	SCREW,1/2-13x1.75,HHCS,SST
4	1	70259-HCS	SCREW,1/2-13x2.00,HHCS,SST
5	3	71015-JCS	NUT,1/2-13,HEX,JAM,SST
6	2	71015-NCS	NUT,1/2-13,HEX,LOCK,SST
7	2	71515-FS	WASHER,1/2,FLAT,SST,MIL-SPEC

FREE STANDING FRAME X-BRACE END FASTENERS-09050036



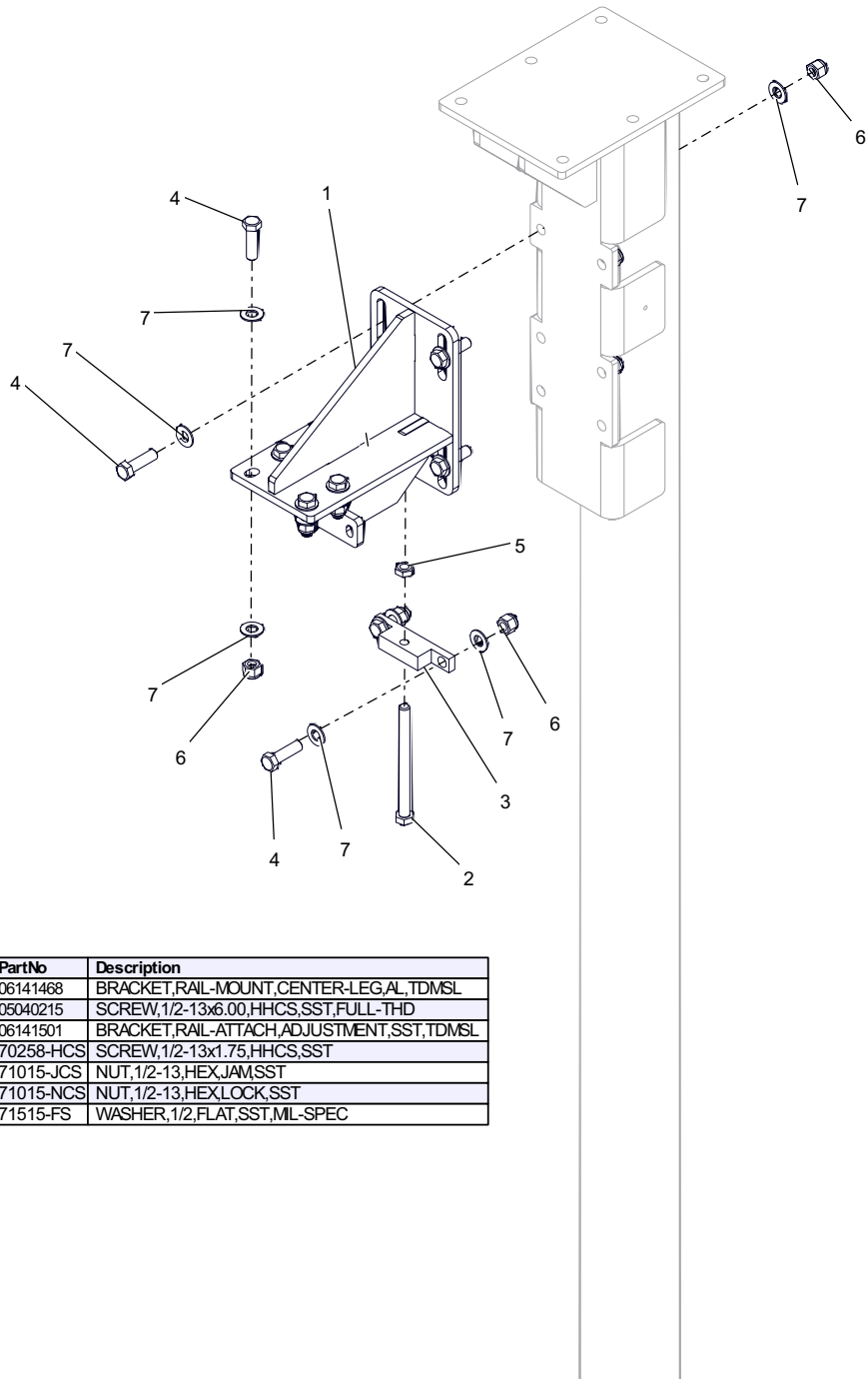
BOM ID	Qty	PartNo	Description
1	8	05030067	WASHER,3/8,FLAT,7/8-OD,.050THK,SST
2	1	05040265	SCREW,3/8-16x4.00,HHCS,FULL-THD,SST
3	2	70182-HCS	SCREW,3/8-16x1.50,HHCS,SST
4	2	71013-HCS	NUT,3/8-16,HEX,SST
5	3	71013-NCS	NUT,3/8-16,HEX,LOCK,SST

FREE STANDING X-BRACE-09050036



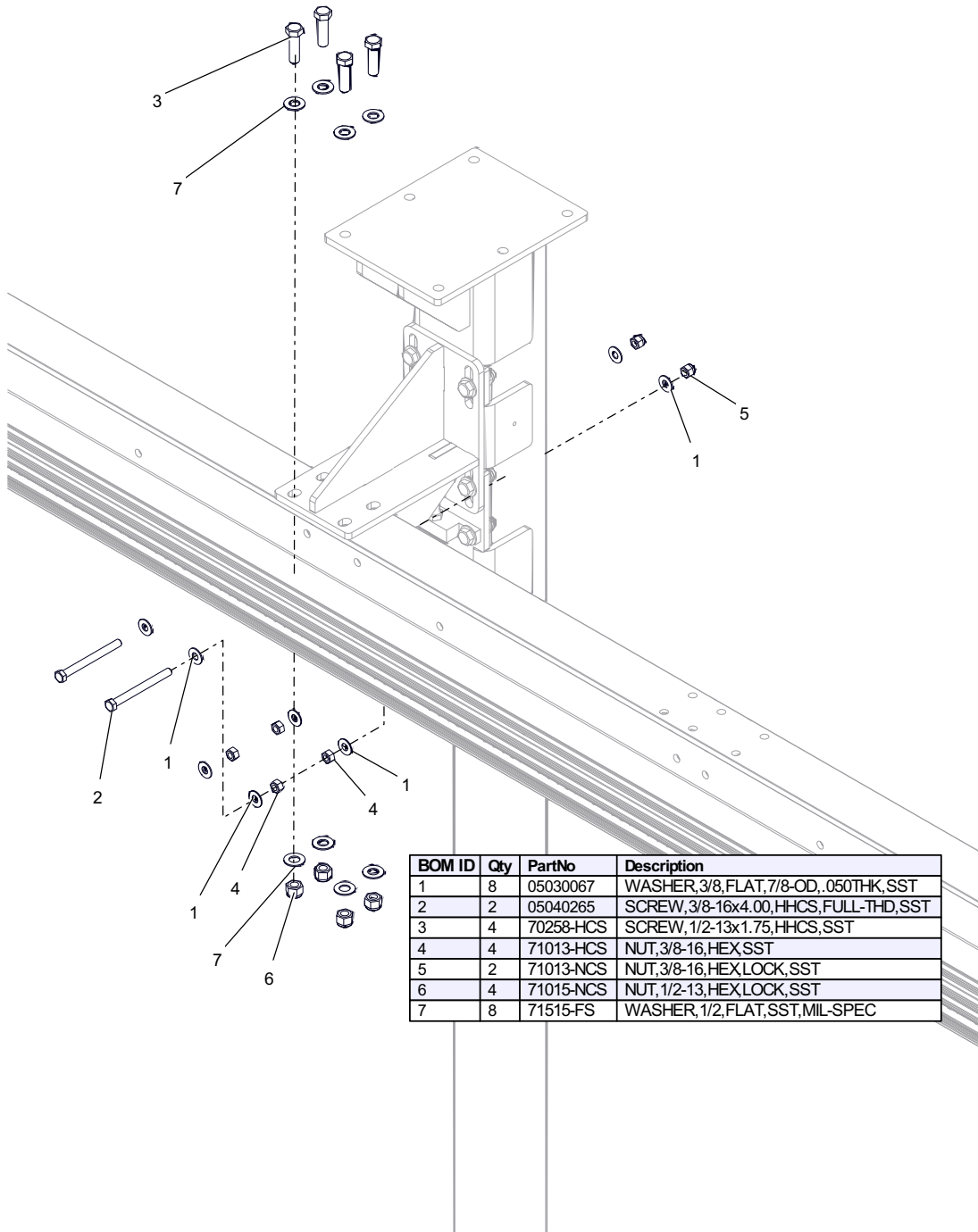
BOM ID	Qty	PartNo	Description
1	2	06230171-LH	BEAM,FRAME,CROSS-BRACE,BOT,LH,AL,TDMSL
2	2	06230171-RH	BEAM,FRAME,CROSS-BRACE,TOP,RH,AL,TDMSL

FREE STANDING FRAME CENTER RAIL SUPPORT BRACKET-09050036

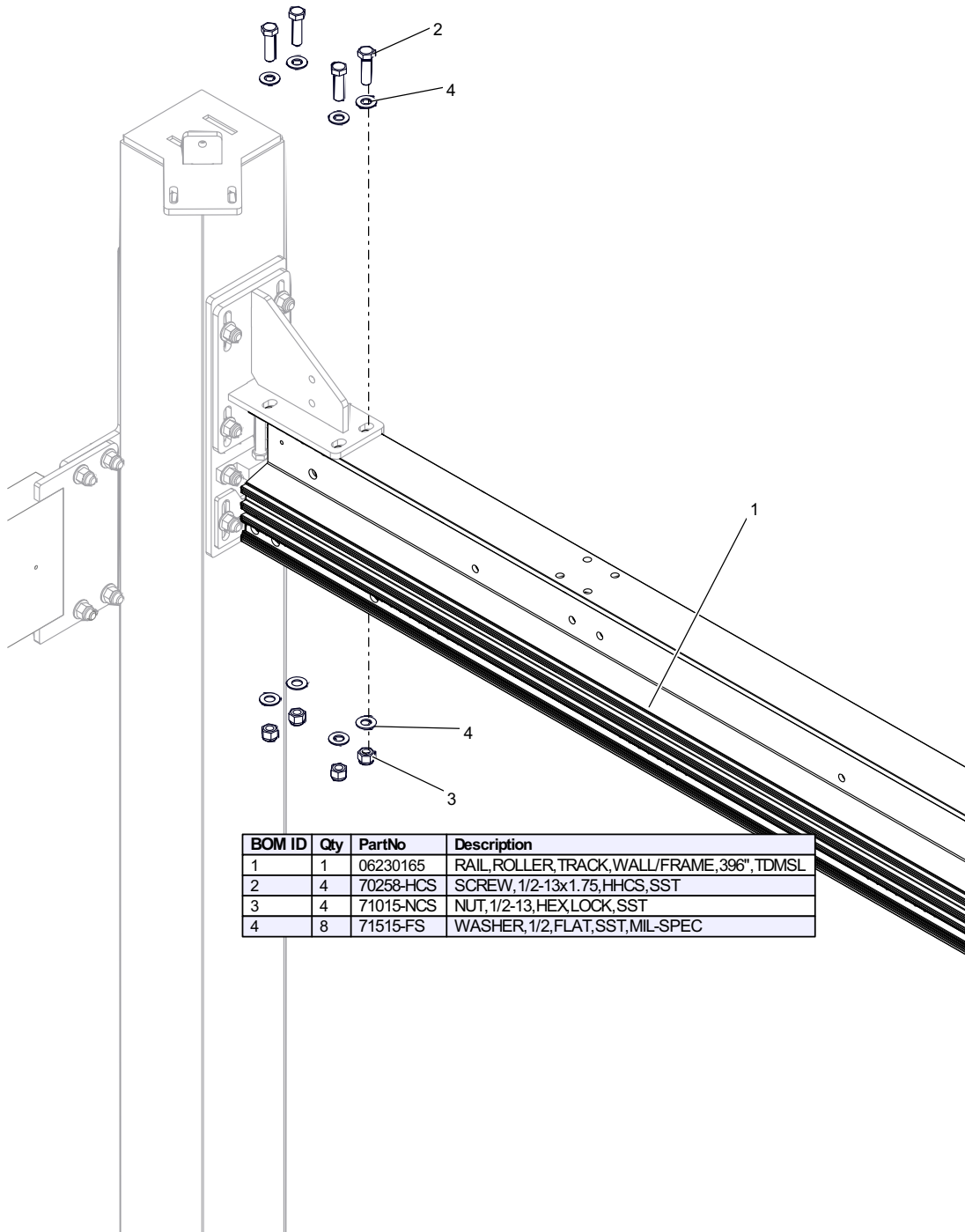


BOM ID	Qty	PartNo	Description
1	1	06141468	BRACKET,RAIL-MOUNT,CENTER-LEG,AL,TDMSL
2	1	05040215	SCREW,1/2-13x6.00,HHCS,SST,FULL-THD
3	1	06141501	BRACKET,RAIL-ATTACH,ADJUSTMENT,SST,TDMSL
4	10	70258-HCS	SCREW,1/2-13x1.75,HHCS,SST
5	1	71015-JCS	NUT,1/2-13,HEX,JAM,SST
6	10	71015-NCS	NUT,1/2-13,HEX,LOCK,SST
7	20	71515-FS	WASHER,1/2,FLAT,SST,MIL-SPEC

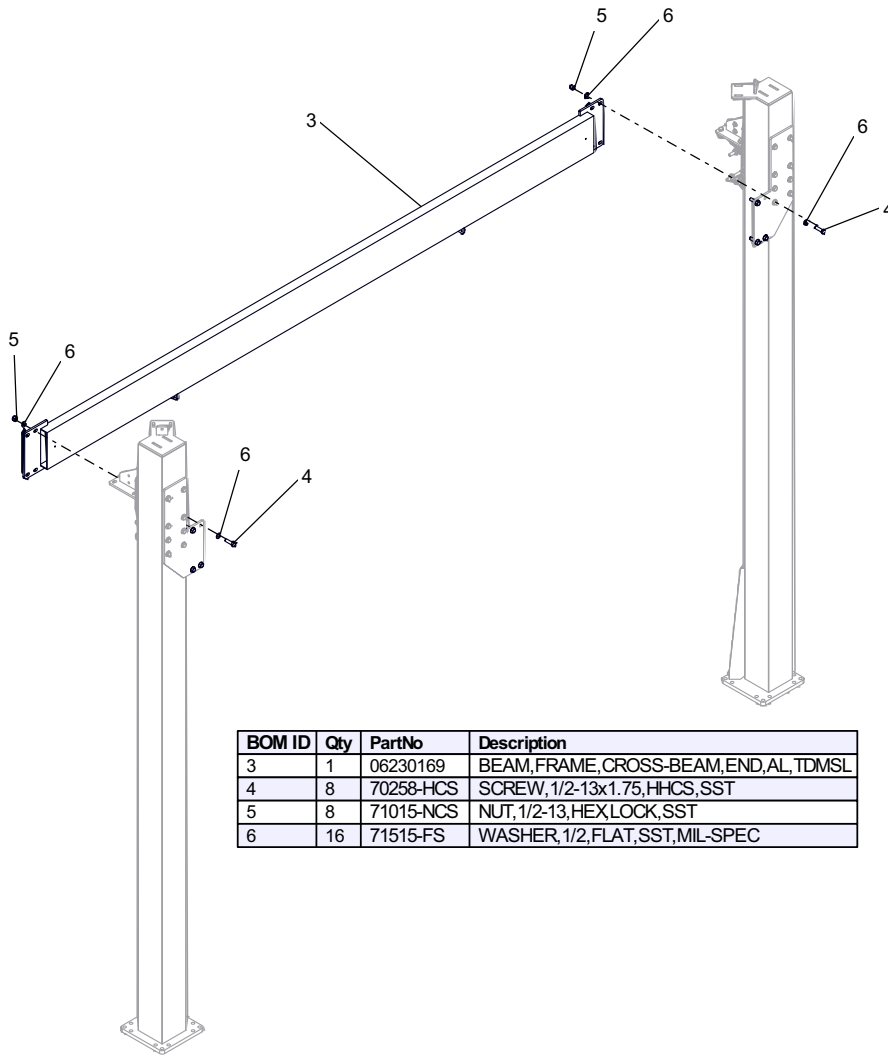
FREE STANDING FRAME CENTER RAIL SUPPORT FASTENERS-09050036



FREE STANDING FRAME CORNER LEG SUPPORT BRACKET FASTENERS-09050036

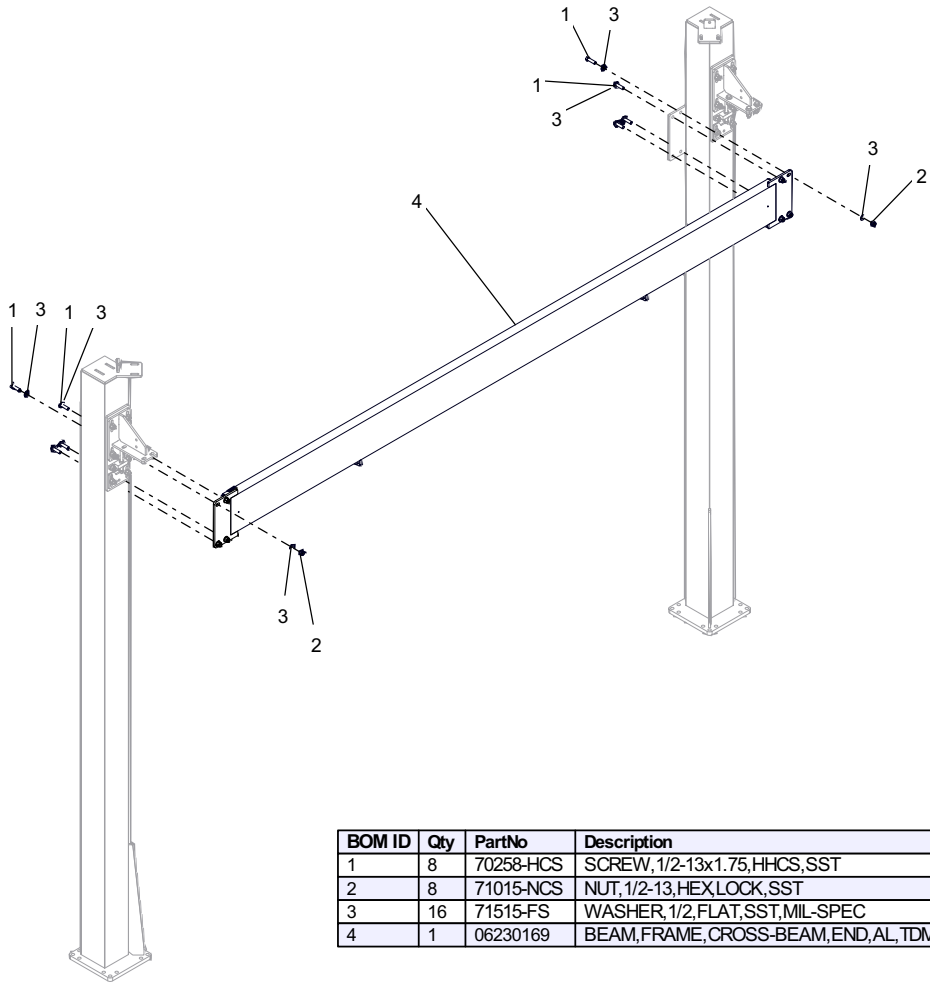


FREE STANDING FRAME ENTRANCE CROSS BEAM-09050036



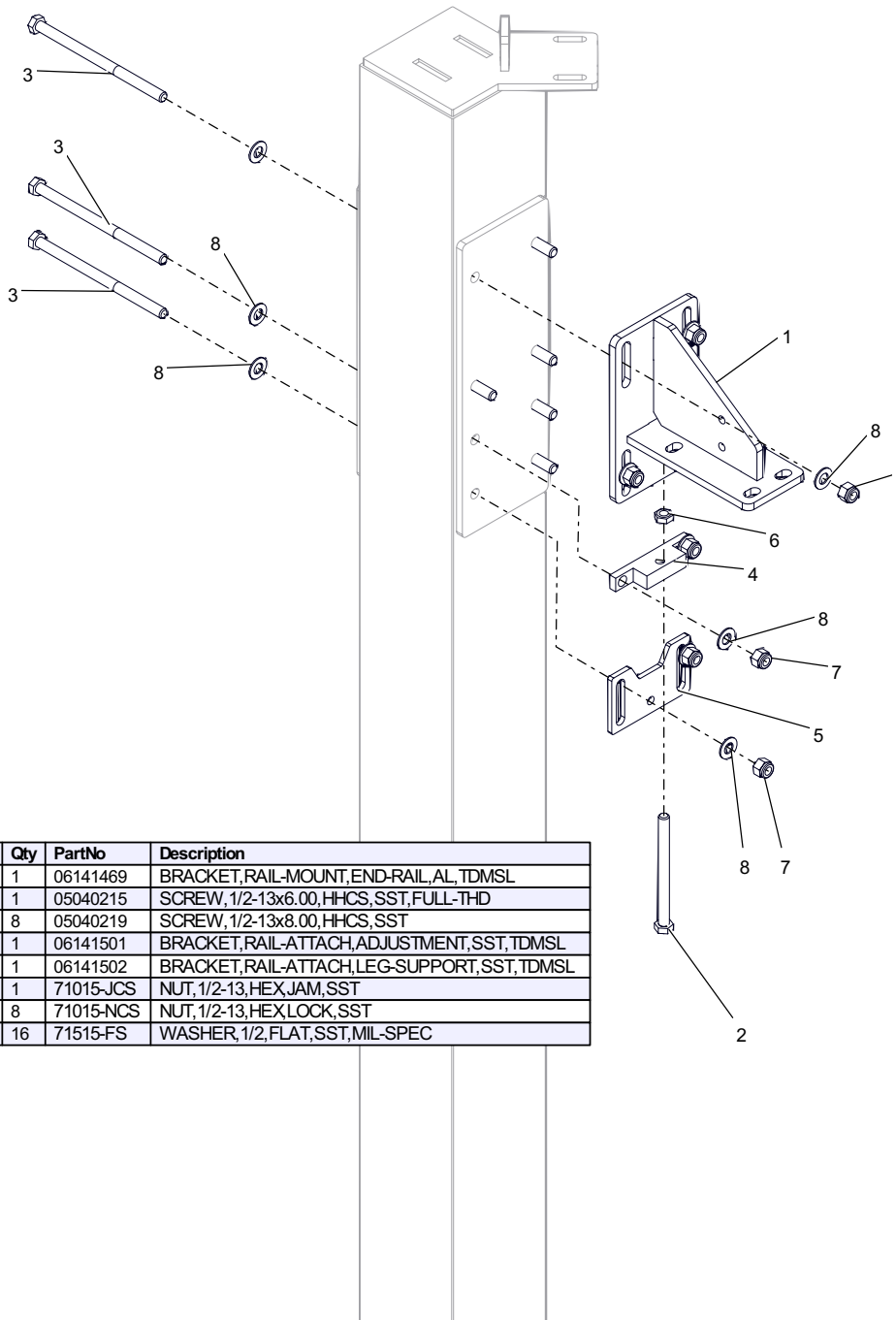
BOM ID	Qty	PartNo	Description
3	1	06230169	BEAM,FRAME,CROSS-BEAM,END,AL,TDMSL
4	8	70258-HCS	SCREW,1/2-13x1.75,HHCS,SST
5	8	71015-NCS	NUT,1/2-13,HEX LOCK,SST
6	16	71515-FS	WASHER,1/2,FLAT,SST,MIL-SPEC

FREE STANDING FRAME EXIT CROSS BEAM-09050036



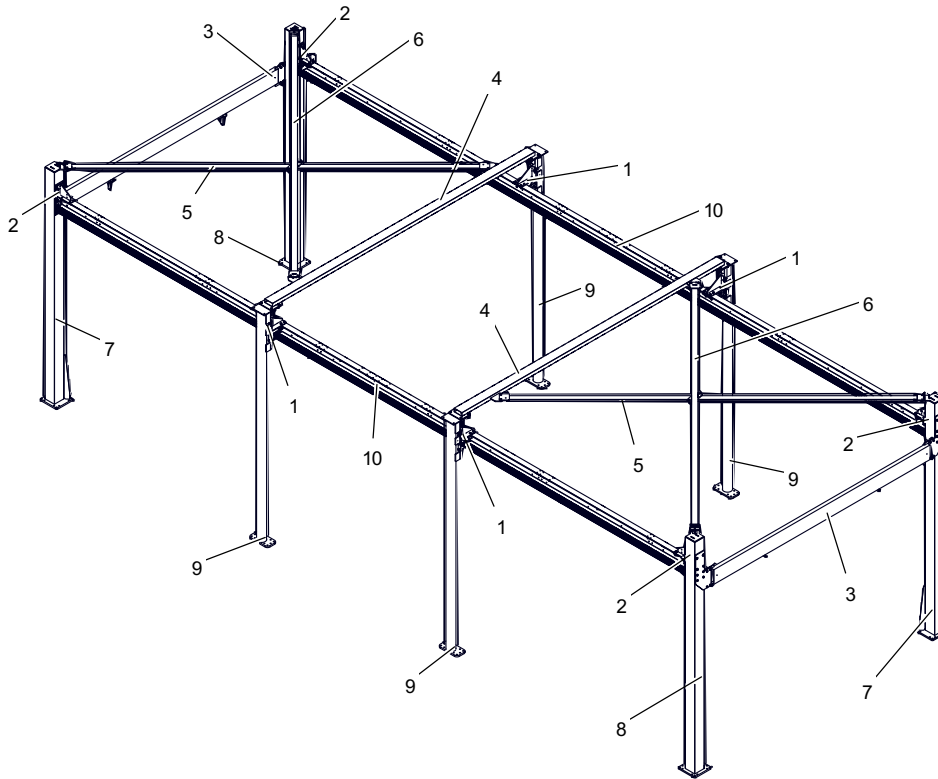
BOM ID	Qty	PartNo	Description
1	8	70258-HCS	SCREW, 1/2-13x1.75, HHCS, SST
2	8	71015-NCS	NUT, 1/2-13, HEX LOCK, SST
3	16	71515-FS	WASHER, 1/2, FLAT, SST, MIL-SPEC
4	1	06230169	BEAM, FRAME, CROSS-BEAM, END, AL, TDMSL

FREE STANDING FRAME CORNER LEG SUPPORT BRACKET-09050036



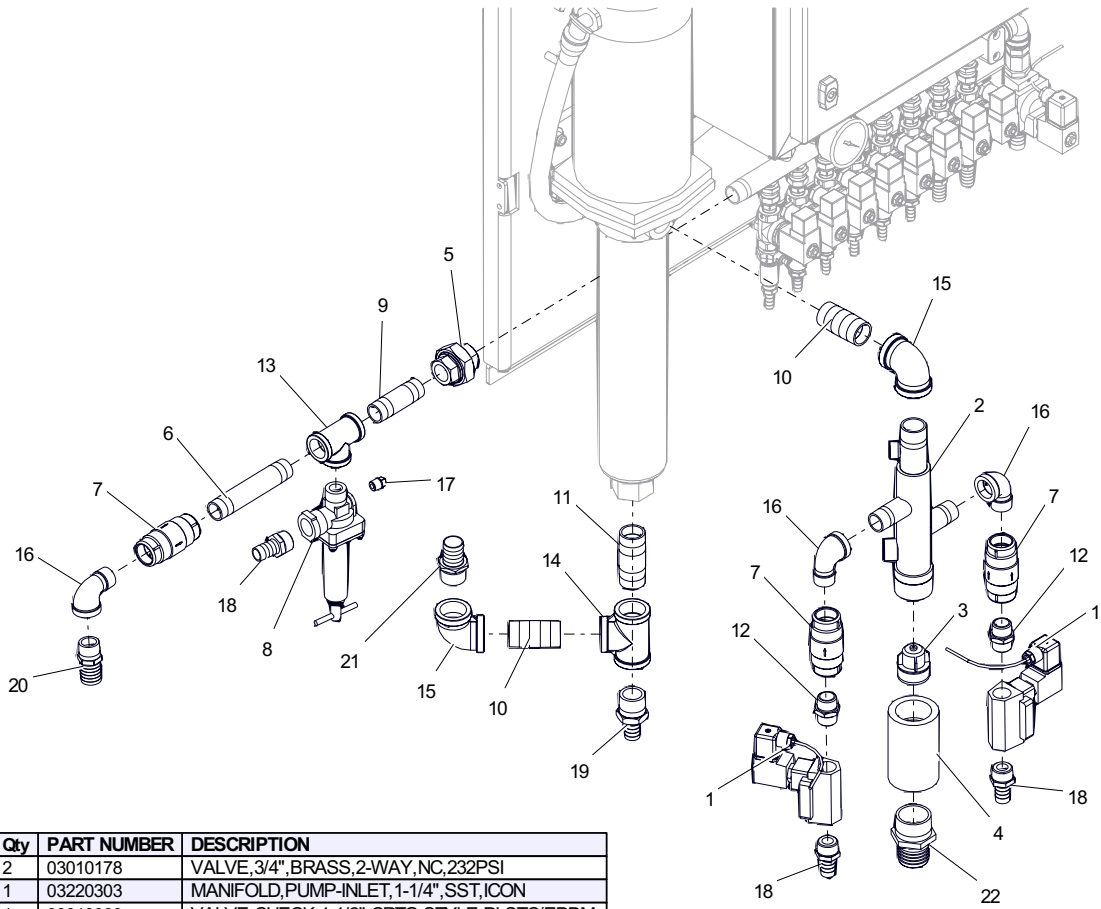
BOM ID	Qty	PartNo	Description
1	1	06141469	BRACKET,RAIL-MOUNT,END-RAIL,AL,TDMSL
2	1	05040215	SCREW,1/2-13x6.00,HHCS,SST,FULL-THD
3	8	05040219	SCREW,1/2-13x8.00,HHCS,SST
4	1	06141501	BRACKET,RAIL-ATTACH,ADJUSTMENT,SST,TDMSL
5	1	06141502	BRACKET,RAIL-ATTACH,LEG-SUPPORT,SST,TDMSL
6	1	71015-JCS	NUT,1/2-13,HEX,JAM,SST
7	8	71015-NCS	NUT,1/2-13,HEX,LOCK,SST
8	16	71515-FS	WASHER,1/2,FLAT,SST,MIL-SPEC

FREE STANDING FRAME 8-LEG MOUNT-09050036



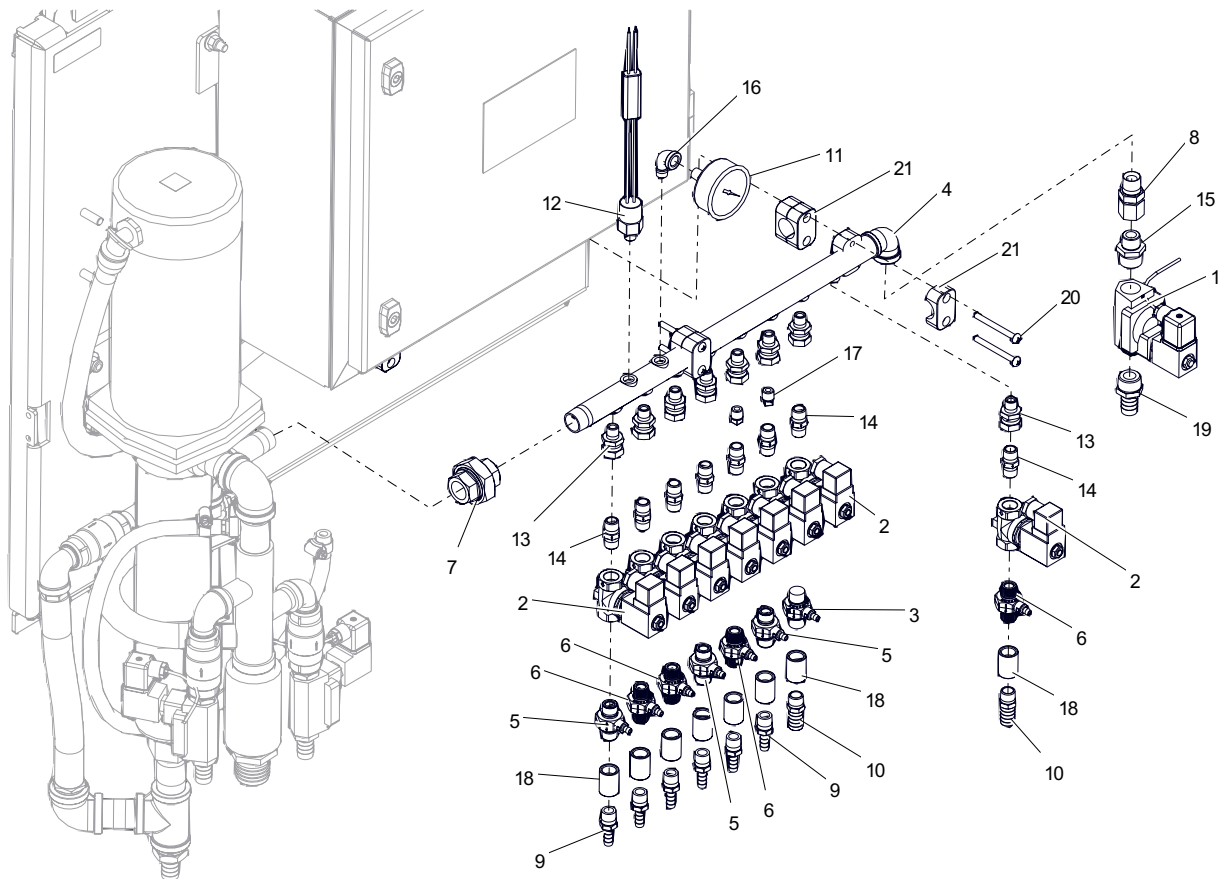
BOM ID	Qty	PartNo	Description
1	4	06141468	BRACKET,RAIL-MOUNT,CENTER-LEG,AL,TDMSL
2	4	06141469	BRACKET,RAIL-MOUNT,END-RAIL,AL,TDMSL
3	2	06230169	BEAM,FRAME,CROSS-BEAM,END,AL,TDMSL
4	2	06230170	BEAM,FRAME,CROSS-BEAM,TOP,AL,TDMSL
5	2	06230171-LH	BEAM,FRAME,CROSS-BRACE,BOT,LH,AL,TDMSL
6	2	06230171-RH	BEAM,FRAME,CROSS-BRACE,TOP,RH,AL,TDMSL
7	2	06250163-LH	FRAME,LEG,FRAME-END,AL,LH,TDMSL
8	2	06250163-RH	FRAME,LEG,FRAME-END,AL,RH,TDMSL
9	4	06250164	FRAME,LEG,CENTER-LEG,AL,TDMSL
10	2	06230165	RAIL,ROLLER,TRACK,WALL/FRAME,396",TDMSL

SOLUTION PANEL INLET MANIFOLDS-11050105



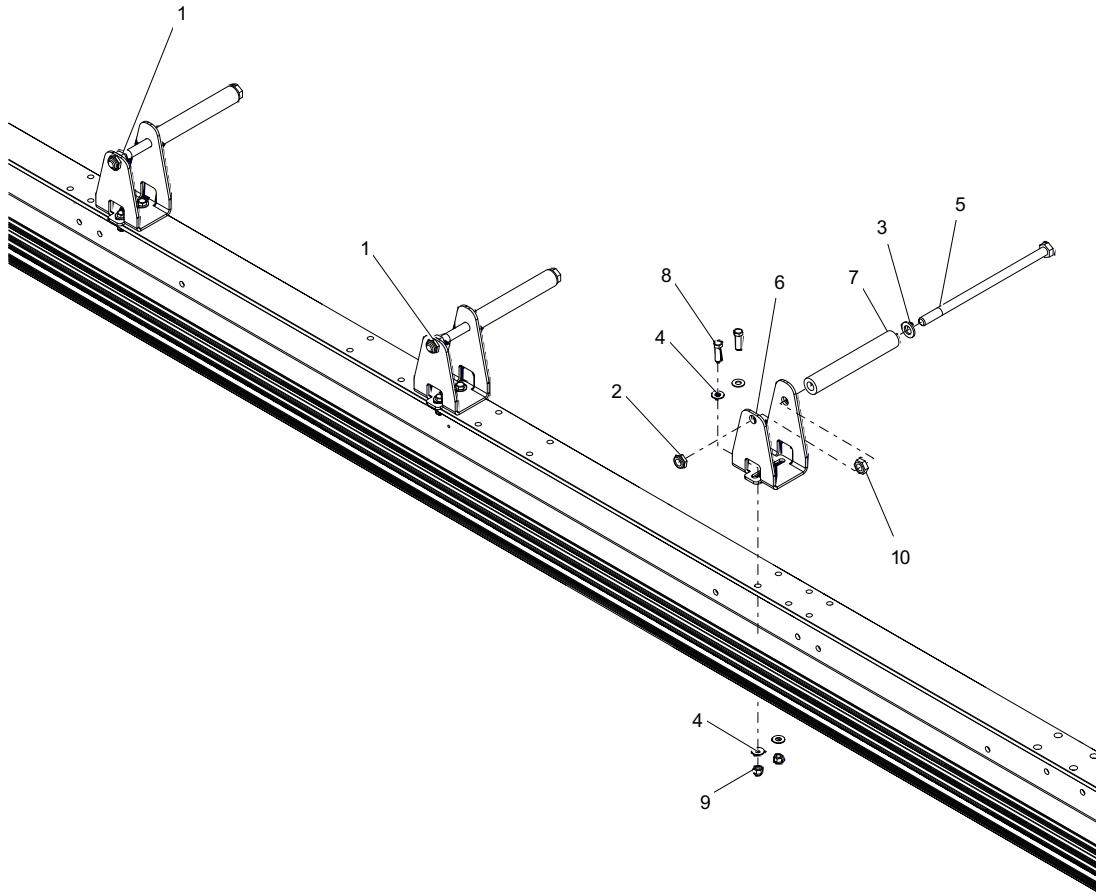
BOM ID	Qty	PART NUMBER	DESCRIPTION
1	2	03010178	VALVE, 3/4", BRASS, 2-WAY, NC, 232PSI
2	1	03220303	MANIFOLD, PUMP-INLET, 1-1/4", SST, ICON
3	1	03010060	VALVE, CHECK, 1-1/2", CRTG-STYLE, PLSTC/EPDM
4	1	03070053	COUPLING, 1-1/2NPTx4", W/CHKSEAT, PVC
5	1	03120012	UNION, 3/4NPT, SC40, SST
6	1	03130031	NIPPLE, 3/4NPT, 5.00, SC40, SST
7	3	63119	VALVE, CHECK, 3/4NPT, 400PSI, 0.5#, BRONZE
8	1	63185	VALVE, RELIEF, 3/4", BRASS
9	1	67014-D4S	NIPPLE, 3/4NPTx3.00, SC40, SST
10	2	67015-C4S	NIPPLE, 1NPTx2.50, SC40, SST
11	1	67015-D4S	NIPPLE, 1NPTx3.00, SC40, SST
12	2	67060-4B	NIPPLE, HEX, 3/4NPT, BRS
13	1	67120-4S	TEE, 3/4NPT, PIPE, SC40, SST, SP114
14	1	67125-4S	TEE, 1NPT, PIPE, SC40, SST, SP114
15	2	67410-4S	ELBOW, 1NPT, 90DEG, SC40, SST, SP114
16	3	67493-4S	ELBOW, STREET, 3/4NPT, 90DEG, SC40, SST
17	1	67603-B	PLUG, 1/4NPT, SQ-HD, BRS
18	3	68123-MHB	HOSE-BARB, 3/4Hx3/4MNPT, BRS
19	1	68124-MHB	HOSE-BARB, 3/4Hx1MNPT, BRS
20	1	68128-MHB	HOSE-BARB, 1Hx3/4MNPT, BRS
21	1	68129-MHB	HOSE-BARB, 1Hx1MPT, BRS
22	1	68141-MHN	HOSE-BARB, 1-1/2Hx1-1/2MPT, NYL

SOLUTION PANEL INJECTOR MANIFOLD-11050105



BOM ID	Qty	PART NUMBER	DESCRIPTION
1	1	03010178	VALVE, 3/4", BRASS, 2-WAY, NC, 232PSI
2	8	03010192	VALVE, 3/8, SST, 2-WAY, NC, 232PSI
3	1	03150030	INJECTOR, 0.125, 3/8MNPT, SST/KYNAR
4	1	03220351	MANIFOLD, CHEMICAL, BASE-LP, SST, TDMSL
5	3	63487	INJECTOR, .086, 3/8MPTx3/8MPT, SST
6	4	63488	INJECTOR, .098, SST/KYNAR
7	1	03120012	UNION, 3/4NPT, SC40, SST
8	1	03140062	ADAPTER, 1/2MNPTx1/2FNPT-SWIVEL, SST
9	6	03310038	HOSE-BARB, 3/8HX3/8MNPT, SST
10	2	03310048	HOSE-BARB, 5/8HX3/8MNPT, BRS
11	1	25046	GAUGE, PRES, 0-400PSI, 1/4NPT, CBM, LIQ, 2.50"
12	1	31037	SWITCH PRESSURE 14PSI 1/4NPT
13	8	44553-S	ADAPTER, 3/8FNPT-SWIVELx1/4MNPT, SST
14	8	67055-4B	NIPPLE, HEX, 3/8NPT, BRS
15	1	67059-4B	NIPPLE, HEX, 3/4NPTx1/2NPT, BRS
16	1	67487-4S	ELBOW, STREET, 1/4NPT, 90DEG, SC40, SST
17	2	67603-B	PLUG, 1/4NPT, SQ-HD, BRS
18	8	67794-4S	COUPLING, 3/8NPT, SST
19	1	68123-MHB	HOSE-BARB, 3/4HX3/4MNPT, BRS
20	4	70116-SCS	SCREW, 1/4-20x2.50, PRHMS, SST
21	4	75016	CLAMP, TUBE, 1", PP, STANDARD

MAIN RAIL ECHAIN SUPPORT ROLLER-11150057



BOM ID	Qty	PartNo	Description
1	3	11150057	ROLLER,SUPPORT,E-CHAIN,BRIDGE,LW360PLUS
2	3	05020077	NUT,5/8-11,HEX,LOCK,JAM,SST
3	3	05030020	WASHER,M16,FLAT,SST
4	12	05030067	WASHER,3/8,FLAT,7/8-OD,.050THK,SST
5	3	05040266	SCREW,5/8-11x12,HHCS,SST
6	3	06141218	BRACKET,ROLLER-SPRT,E-CHAIN,SST,LW360P
7	3	06170034	ROLLER,E-CHAIN-SUPPORT,LONG,UHMW
8	6	70181-HCS	SCREW,3/8-16x1.25,HHCS,SST
9	6	71013-NCS	NUT,3/8-16,HEX,LOCK,SST
10	3	71017-JCS	NUT,5/8-11,HEX,JAM,SST

FREE STANDING FRAME X-BRACE CENTER FASTENERS-09050036

