

LWM5 PPC TABLE OF CONTENTS

LWM5 BRIDGE PPC

PPC DRAWING NUMBER	DESCRIPTION
11220002	BRIDGE, LWM5
11220003	LWM5 TROLLEY
11130016	LWM5 TOP ARCH
11130017	LWM5 SIDE-ARCH
11150007	BRIDGE ROLLER
11150025	BRIDGE/TROLLEY TIRE ASSY
11150029	TROLLEY ROLLER ASSY
11250011	OVERHEAD MANIFOLD, LWM5
09170004	LWM5 3X FOAM OPTION
09170007	LWM5 PRODUCTIVITY RINSE
11010044	LWM5 BRIDGE NODE BOX
11010048	LWM5 BAY NODE CONTROL BOX
09010020	LWM5 MISCELLANEOUS PARTS

LWM5 PUMPSTATION PPC

PPC DRAWING NUMBER	DESCRIPTION
09020049	IMAGE-PACKAGE, LWM5, VERTICAL-PUMP
09070093	PUMP, STATION, LP-MODULE, LWM5
09070094	PUMP, SPOTFREE, 13GPM, LWM5
09070096	PUMP, STATION, EQUIP, CAT, 208-240, LWM5
09070097	PUMP, STATION, EQUIP, GENERAL, 208-240, LWM5
09070117	PUMP, SPOTFREE, 10.5GPM, 380/50HZ, LWM5
09130007	HEATER, WATER, SOLUTION, 208V, M5
11010141	POWER CONTROL BOX, LWM5
11010146	POWER CONTROL BOX, 380V-50HZ. LWM5
11010152	CONTROL-BOX, PUMP-NODE, M5
11030076	WATER-VALVE, HP-CHANGE-OVER, 60HZ, LWM5
11030078	WATER-VALVE, PRODUCTIVITY-RINSE, 60HZ, LWM5
11030079	WATER-VALVE, RECLAIM-INJECT, LWM5
11030080	WATER-VALVE, HOT-WATER-INJECT, LWM5
11030081	WATER-VALVE, WATER-SAVER, LWM5
11030082	WATER-VALVE, 3X-SOLUTION, 60HZ, LWM5
11030083	WATER-VALVE, 3X-BYPASS, 60HZ, LWM5
11030084	WATER-VALVE, RUST-INHIBITOR, 60HZ, LWM5
11030087	WATER-VALVE, WEEP, PRODUCTIVITY-RINSE, M5
11030088	WATER-VALVE, 6TH-SOLUTION, HP, LWM5
11030101	WATER-VALVE, HP-CHANGE-OVER, 50HZ, LWM5
11030102	WATER-VALVE, PRODUCTIVITY-RINSE, 50HZ, LWM5
11030103	WATER-VALVE, WATER-SAVER, LWM5, 50HZ
11050068	PUMP, HIGH-PRESSURE, GENERAL, 208-480V, LWM5
11050069	PUMP, SOLUTION, LWM5
11050074	PUMP, HIGH-PRESSURE, CAT, COMMON-PARTS, LWM5
11050076	PUMP, HIGH-PRESSURE, CAT, 380V, M5
11050077	PUMP, HIGH-PRESSURE, GENERAL, 220/380V, M5
11080032	FRAME, HIGH-PRESSURE-MODULE, LWM5

LWM5 PPC TABLE OF CONTENTS

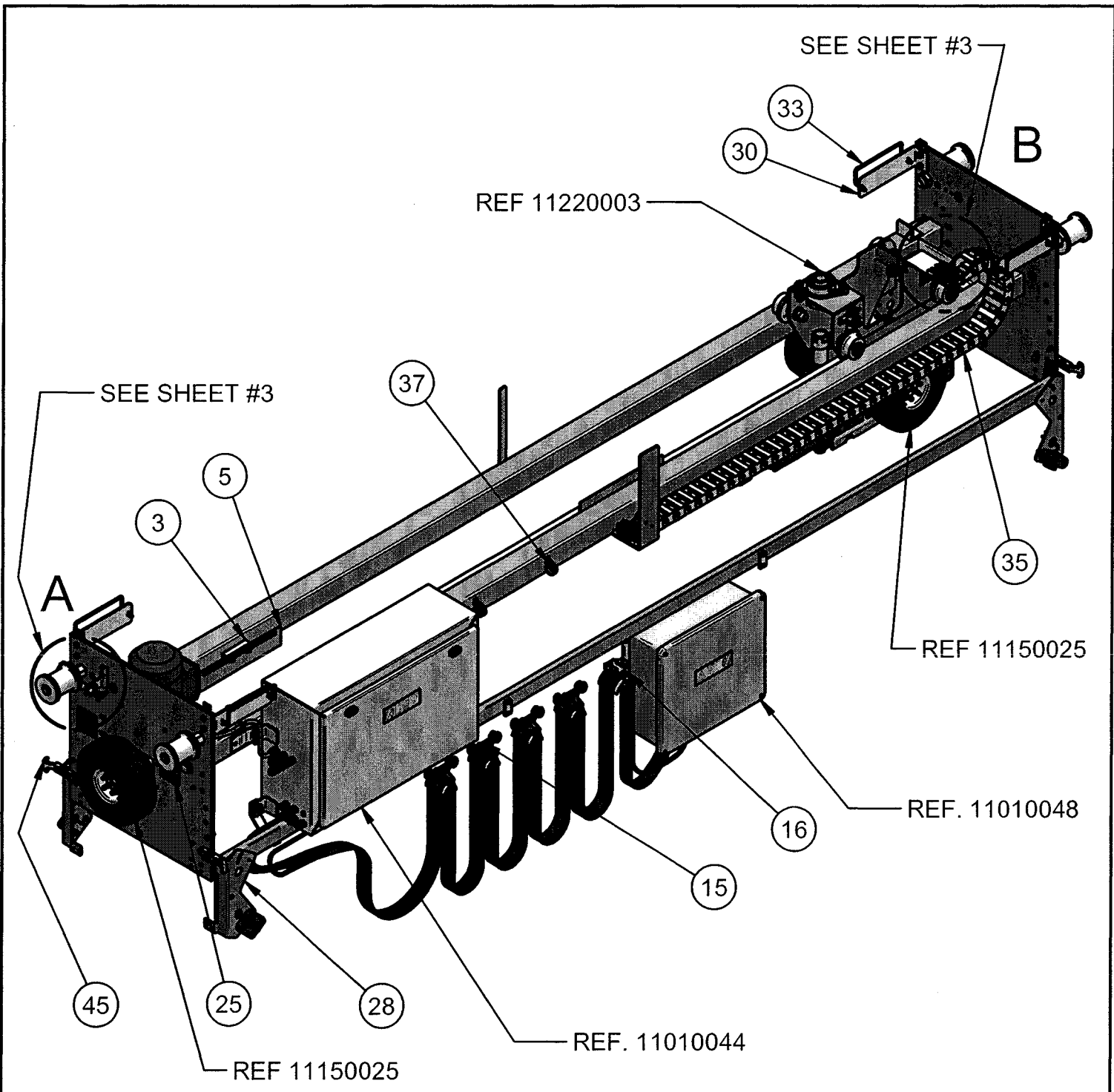
11120033	AIR-VALVE,SOL,3X-FOAMING-AIR,M5
11230004	TANK,WATER,LP-PUMP,LWM5
11230005	TANK,WATER,HP-PUMP,LWM5
11250050	MANIFOLD FREEZE PROTECT, LWM5 3X
11250070	MANIFOLD,WEEP-VALVE,LWM5
11250074	MANIFOLD,SOLUTION,LWM5
11270011	HEATER,WATER,10KW,208V,M5


LWM5 SIGN PPC

PPC DRAWING NUMBER	DESCRIPTION
11310007	INBAY INSTRUCTIONAL SIGN
11310008	WASH ENTRANCE SIGN
11310009	CONFIRMATION SIGN

LWM5 MISCELLANEOUS PPC


PPC DRAWING NUMBER	DESCRIPTION
09100100	ULTRASONIC STAND, LWM5
09100112	ULTRASONIC STAND, UNDER-CARRIAGE, LWM5

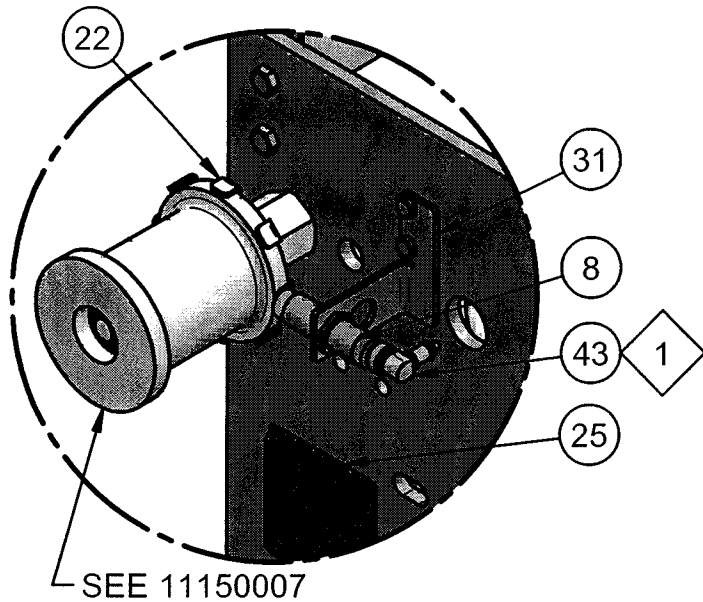


		PDQ MANUFACTURING, INC. De Pere, WI A BOYER COMPANY
TITLE:		BRIDGE, LWM5
DRAWING:	REV:	SHEET:
11220002	00	1 OF 4

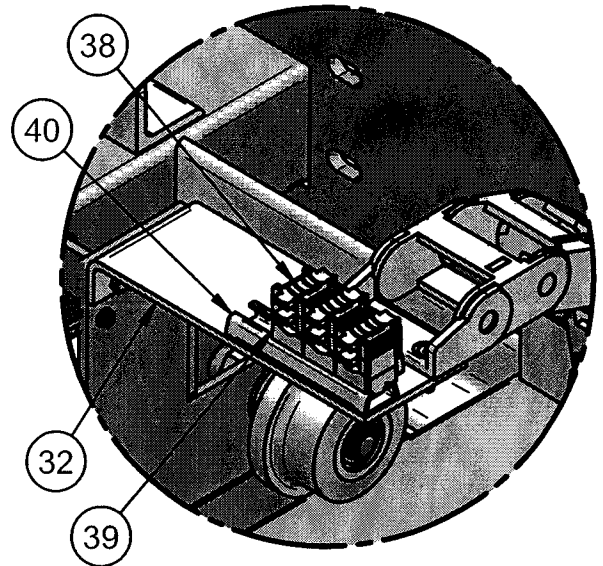
ITEM	PART #	DESCRIPTION
1	M690047	KEY,.312x.312x1.983,SST
2	M690044	KEY 1/4 X 1/4 X 1.88 SST
3	M660011	BLOCK,BRIDGE-FLAG,NYLON-GSM
4	M600002	AXLE,BRIDGE,LW4K,PASSENGER,13.81
5	M330019	FLAG,BRIDGE,12GAx2.75x13.75,SST
6	M290027	COLLAR,LIFT-BLOCK,SPRAY-ARCH,LW4K
7	93026	PROX,IND,30mm,SHLD,12-48VDC,NPN,W/12mm
8	93024	PROX,18mm,NPN,UNSHLD,LNG-BRL,12mm-QD
9	92010	SPRING,COMP,1.63x.13x2.00,SST
10	71511-LS	WASHER,1/4,LOCK,SST
11	70186-HCS	SCREW,3/8-16x2.50,HHCS,SST
12	70118-HCS	SCREW,1/4-20x3.00,HHCS,SST
13	70108-HCS	SCREW,1/4-20x.75,HHCS,SST
14	38013-J	MOTOR,1.3HP,1650,B5-D80,208-230/460V
15	34404	ROLLER,FESTOON,PLST
16	34402	BRACKET,FESTOON-CLAMP,GALVS-STAT
17	19053	GEARBOX,RTANG,50:1,D80,WORM,DRIVE
18	13202	DRIVE-COUPLING,SPLIT-CLAMP,1.19x3.25
19	11920	BREATHER,1/8NPT
20	10217-N	BEARING,FLANGE-4-BOLT,1.19,NP,SELF-ALIGN
21	10017-T	BEARING,PILLOW-BLK,1-3/16,NP,2-BOLT
22	06480004	FLAG,BRIDGE-ENCODER,LWM5
23	06340352	BLOCK,CLAMP,SPRAY-ARCH,LW4K
24	06310009	GROMMET,.75x1.06x1.375x.438",BUNA-N
25	06160198	COVER,ENDPLATE,LWM5,3.00x3.00-TUBE
26	06150033	SHAFT,BRIDGE-DRIVE,LWM5
27	06140731	BRACKET,RETAINER,BREAKAWAY,M5,SST
28	06140565	BRACKET,ULTRASONIC-MOUNT,BRIDGE,LWM5
29	06140487	BRACKET,LIFT-PLATE,SPRAY-ARCH,LWM5
30	06140417	BRACKET,TOP,FIBERGLASS,SUPPORT,LWM5E
31	06140199	BRACKET,TROLLEY,ENCODER-PROX,LWM5
32	06140071	BRACKET,E-CHAIN-SUPPORT,TROLLEY
33	06140070	BRACKET,BRIDGE-COVER,HINGE,LWM5
34	06060015	CUSHION,ULTRASONIC-MOUNT,SILICONE
35	06050032	HOUSING,E-CHAIN,TROLLEY,LWM5
36	05050064	CLAMP,PIPE,1-1/4NPTx2.75x1.125,PA
37	05050032	CLAMP,CABLE,CUSHIONED,32mm,SST
38	05050030	CLAMP,UPPER,12mm,PLAS
39	05050029	CLAMP,LOWER,12mm,PLAS

ITEM	PART #	DESCRIPTION
40	05050025	CLAMP,RAIL,95mm,SST
41	04420026	SENSOR,ULTRASONIC,75kHz,15'CBL,1.5"DIA
42	04080233	CABLE,FESTOON,12,16AWG,550",M5
43	04080076	HARNESS,KIT,BRIDGE,PROX-SNSORS,LWM5
44	04080075	HARNESS,ETHERNET,BRIDGE-BAY,M5
45	02050007	LATCH,DRAW,FLEXIBLE,PLSTC

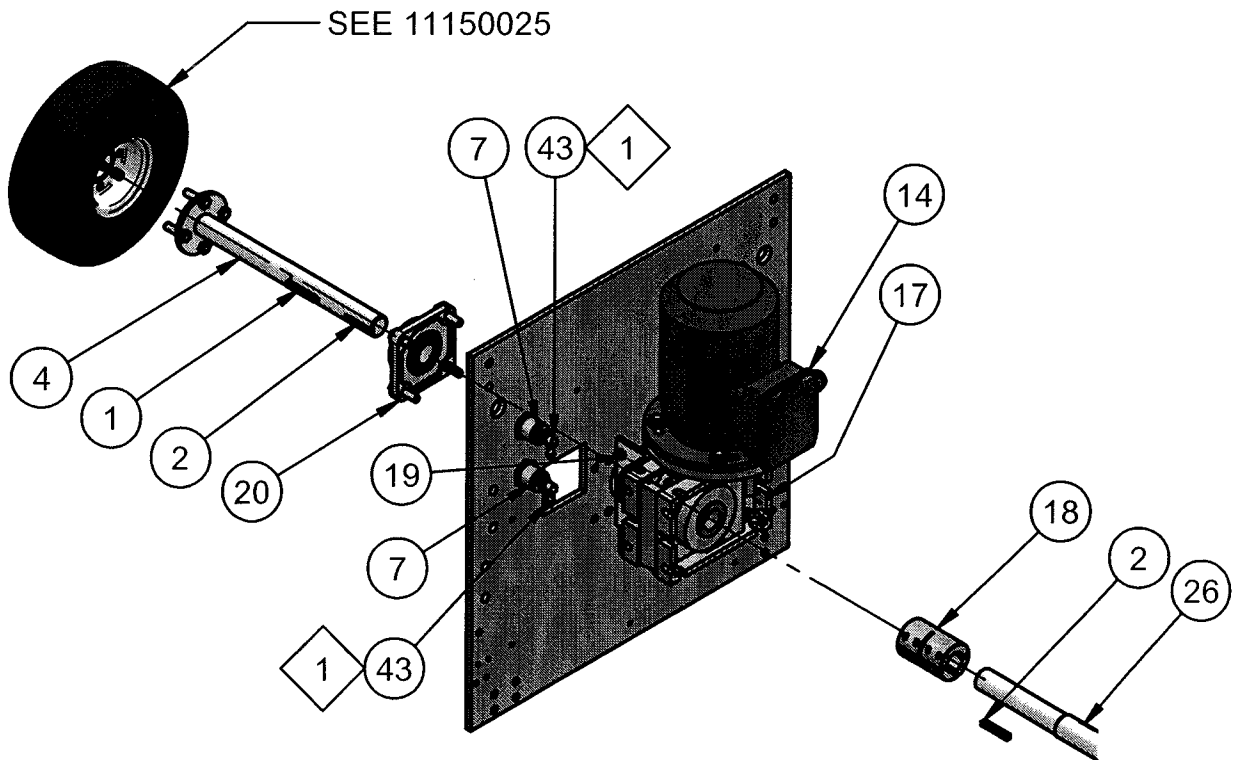
		PDQ MANUFACTURING, INC. De Pere, WI A DODGE COMP.	
TITLE:		BRIDGE, LWM5	
DRAWING:	REV:	SHEET:	
11220002	00	2 OF 4	



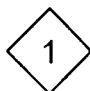
DETAIL A




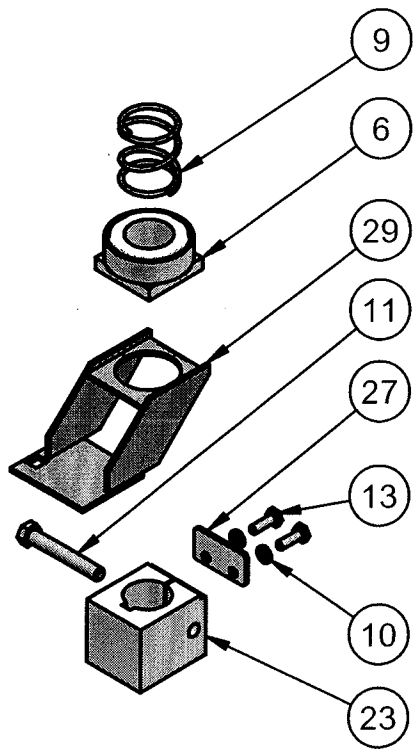
DETAIL B



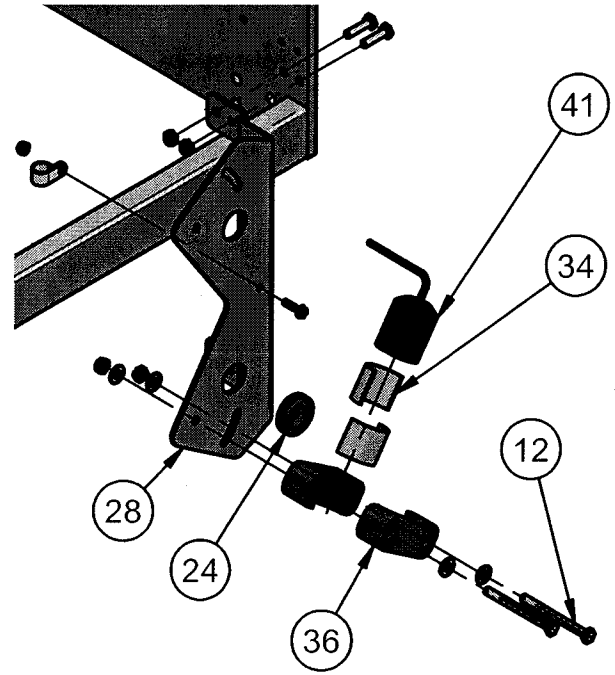
MOTOR, WHEEL, GEARBOX

 FOR INDIVIDUAL CABLE USE
PART NUMBER 34370

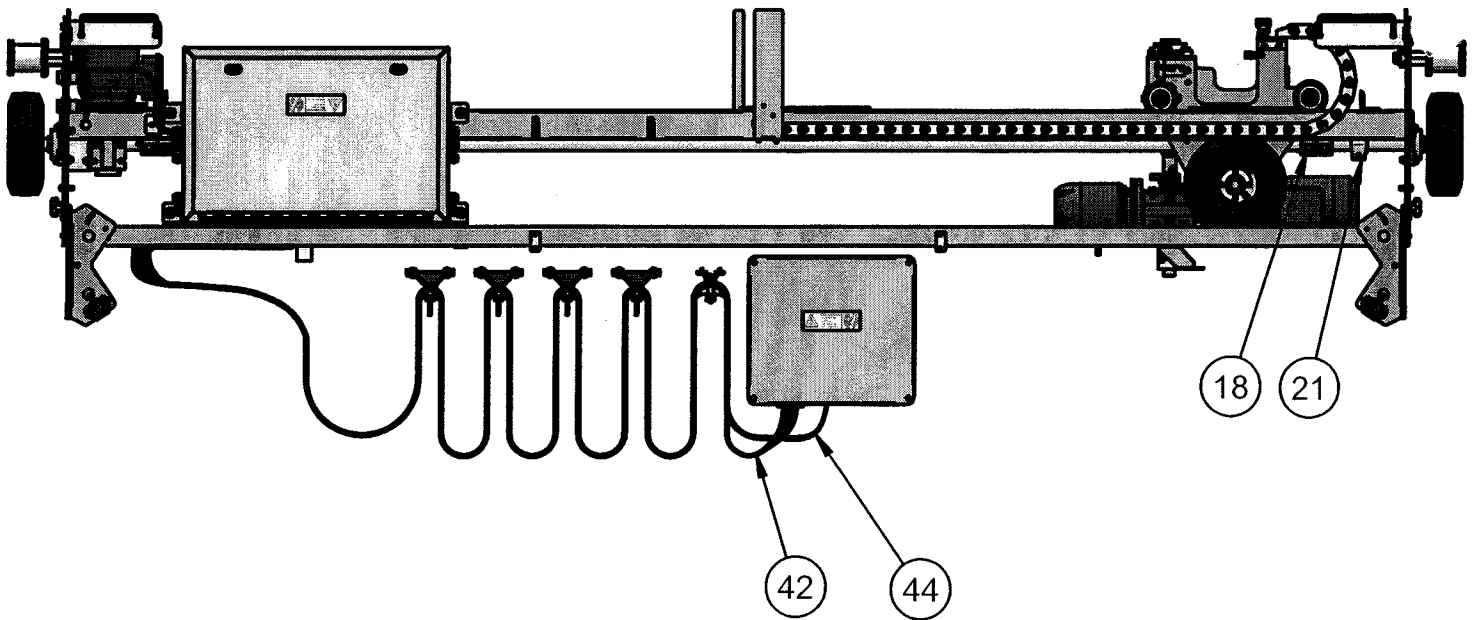
		PDQ MANUFACTURING, INC. De Pere, WI A DOVER COMPANY
TITLE: BRIDGE, LWM5		
DRAWING: 11220002	REV: 00	SHEET: 3 OF 4


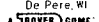


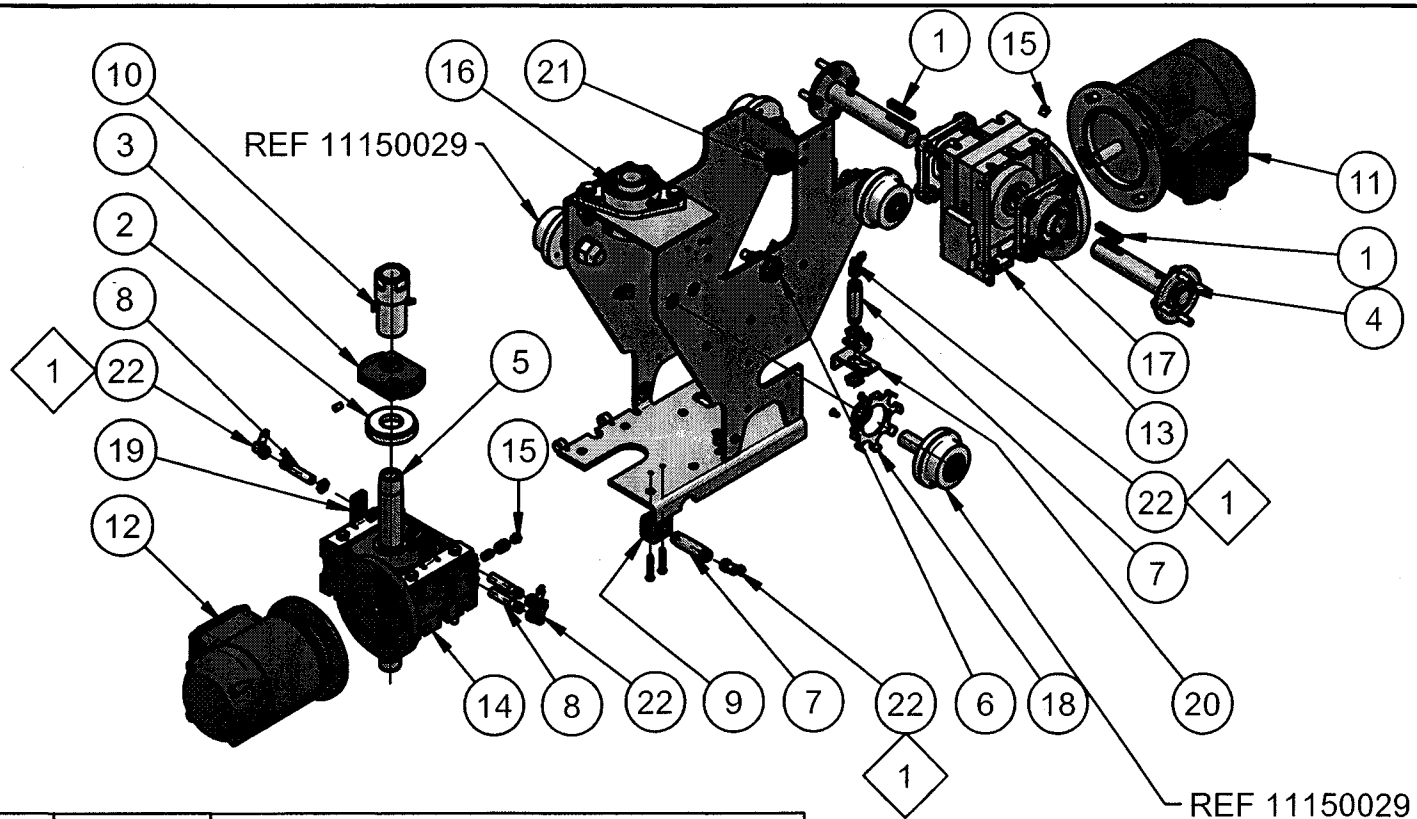
ARCH LIFT PARTS DETAIL



ULTRASONIC SENSORS




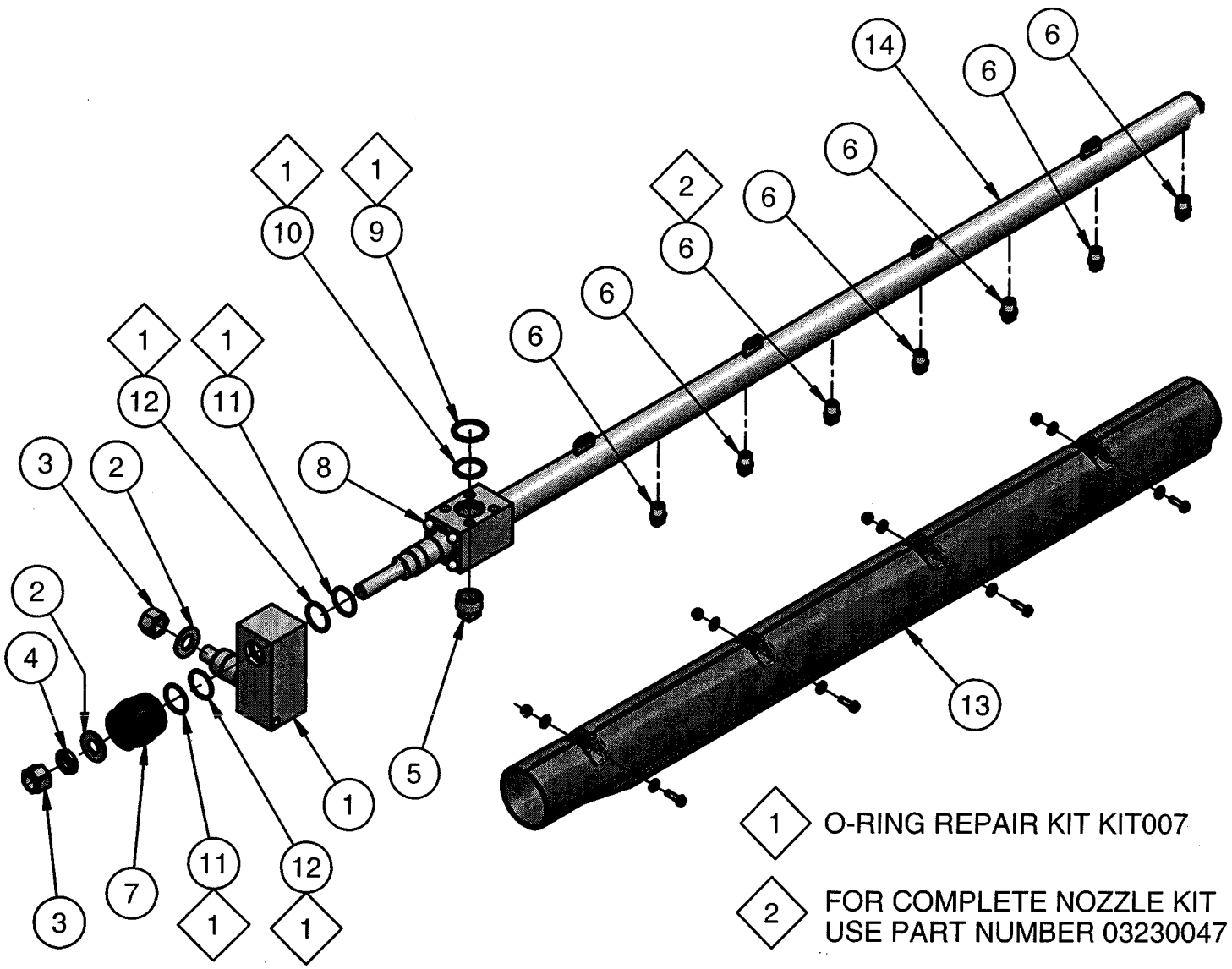
		PDQ MANUFACTURING, INC. De Pere, WI A  COMP.
TITLE BRIDGE, LWM5		
DRAWING: 11220002	REV: 00	SHEET: 4 OF 4



ITEM	PART #	DESCRIPTION
1	M690046	KEY, .312x.312x1.812,SST
2	M640011	WASHER, 1.31IDx2.95OD,UHMW,ARCH-INDEX
	M640000	CAM,INDEX,COATED
4	M600006	AXLE,TROLLEY,LW4K,7.13,SST
5	M600001	SHAFT,HOLLOW,TROLLEY-GEARBOX
6	93025	PROX SWITCH 30mm NPN SHIELDED W/12
7	93024	PROX,18mm,NPN,UNSHLD,LNG-BRL,12mm-QD
8	93020	PROX,SWITCH,12mm,NPN,SHIELDED,W
9	75037	CLAMP,TUBE,18MM,PP,STANDARD
10	66500	SWIVEL,1.00,STRAIGHT,HP,SST
11	38013-J	MOTOR,1.3HP,1650,B5-D80,208-230/460V
12	38009-D	MOTOR,.5HP,1650,B5-D71,208-230/460V
13	19053	GEARBOX,RTANG,50:1,D80,WORM,DRIVE
14	19052-1	GEARBOX,RTANG,50:1,D71,WORM,SPRAY-ARCH
15	11920	BREATHER,1/8NPT
16	10320-N	BEARING,FLANGE-2-BOLT,1.31,NP,SELF-ALIGN
17	10217-N	BEARING,FLANGE-4-BOLT,1.19,NP,SELF-ALIGN
18	06480004	FLAG,BRIDGE-ENCODER,LWM5
	06140418	BRACKET,PROX,ARCH-ROTATE,LW5M
20	06140199	BRACKET,TROLLEY,ENCODER-PROX,LWM5
21	05050032	CLAMP,CABLE,CUSHIONED,32mm,SST
22	04080055	HARNESS,KIT,TROLLEY,PROX-SENSORS,LWM5

1 FOR INDIVIDUAL CABLE USE
PART NUMBER 04080093

		PDQ MANUFACTURING, INC. De Pere, WI A DODGE COMPANY	
TITLE:		LWM5 TROLLEY	
DRAWING:	11220003	REV:	00
		SHEET:	1 OF 1



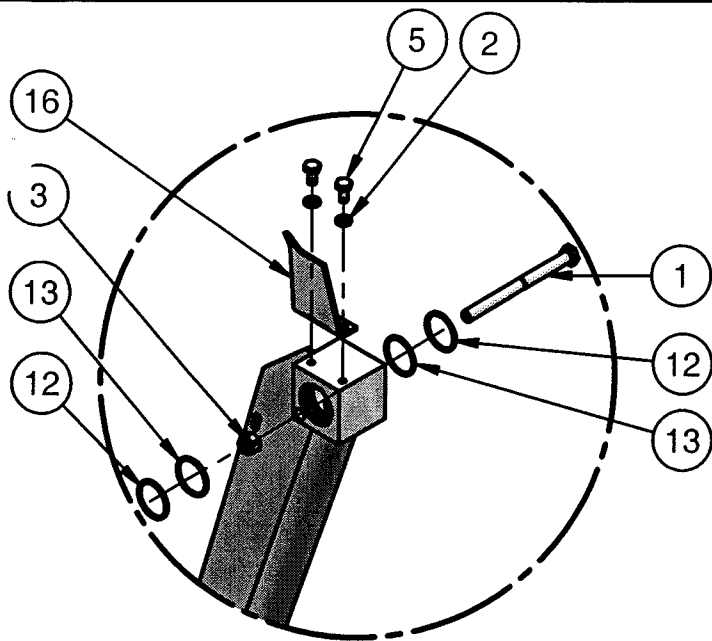
1 O-RING REPAIR KIT KIT007
 2 FOR COMPLETE NOZZLE KIT
 USE PART NUMBER 03230047

ITEM	PART #	DESCRIPTION
1	M360001	SWIVEL,SPRAY-ARCH,LW4K
2	71517-FS	WASHER,5/8,FLAT,SST
3	71017-NCS	NUT,5/8-11,HEX,LOCK,SST
4	71017-JCS	NUT, 5/8-11,HEX,JAM, SST
5	67604-S	PLUG,,75NPT,SST,SQH
6	64082-4M	NOZZLE,FAN,1504,,25NPT,SST
7	15087	BUMPER,COMPRESSION,TYPE-GBA-8
8	11825	BALL,7/16",440,SST
9	1-217BU-T	RING,BACKUP,1/8"NOM,1.203"ID,,118"W TEF
10	1-217-B	O-RING,1-3/16x1/8,BUNA
11	1-122BU-T	BACKUP-RING,3/32"NOM,1.143"ID,,086"W,TEF
12	1-122-B	O-RING,1-1/8"ID,3/32"C/S,1-5/16"OD,BUNA
13	06160201	COVER,ARCH,TOP,LWM5
14	03220005	MANIFOLD,SPRAY-ARCH,TOP,LWM5

PDQ PDQ MANUFACTURING, INC.
 De Pere, WI
 A UNITED COMP.

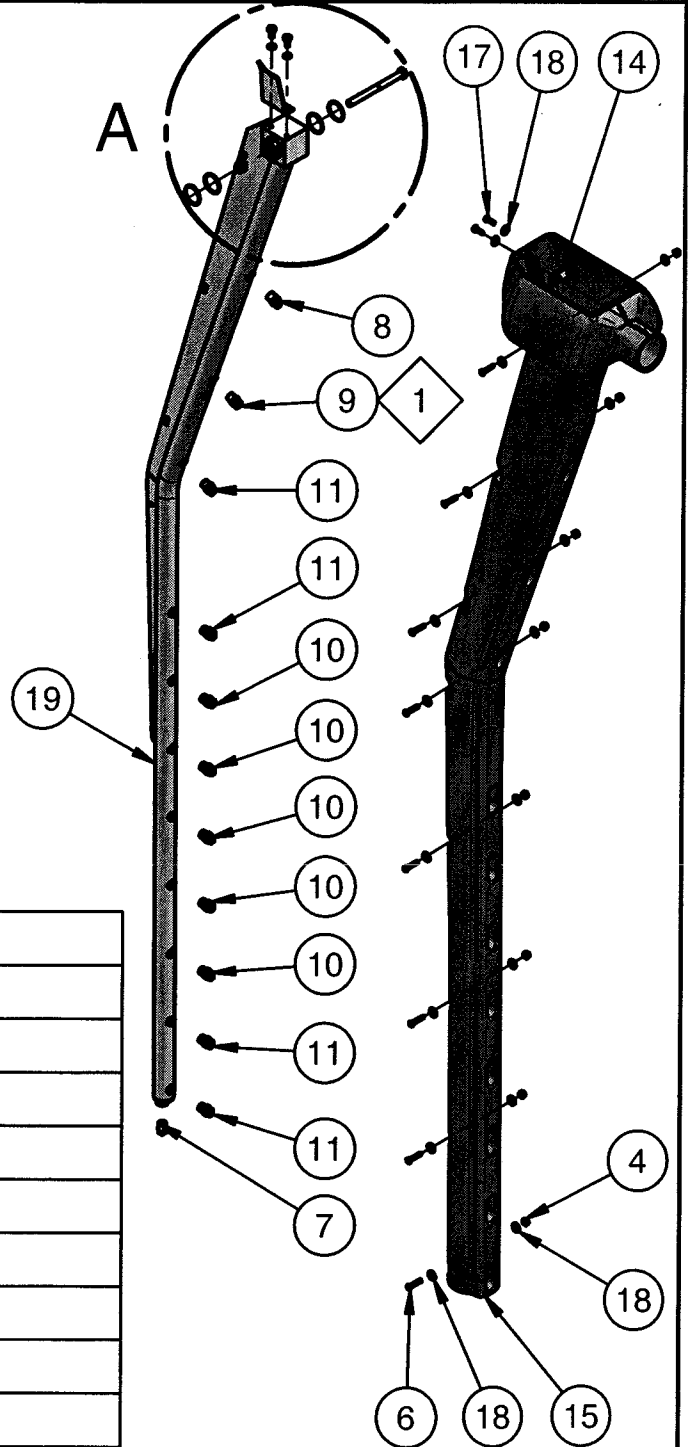
TITLE: LWM5 TOP ARCH

DRAWING: 11130016 REV: 00 SHEET: 1 OF 1




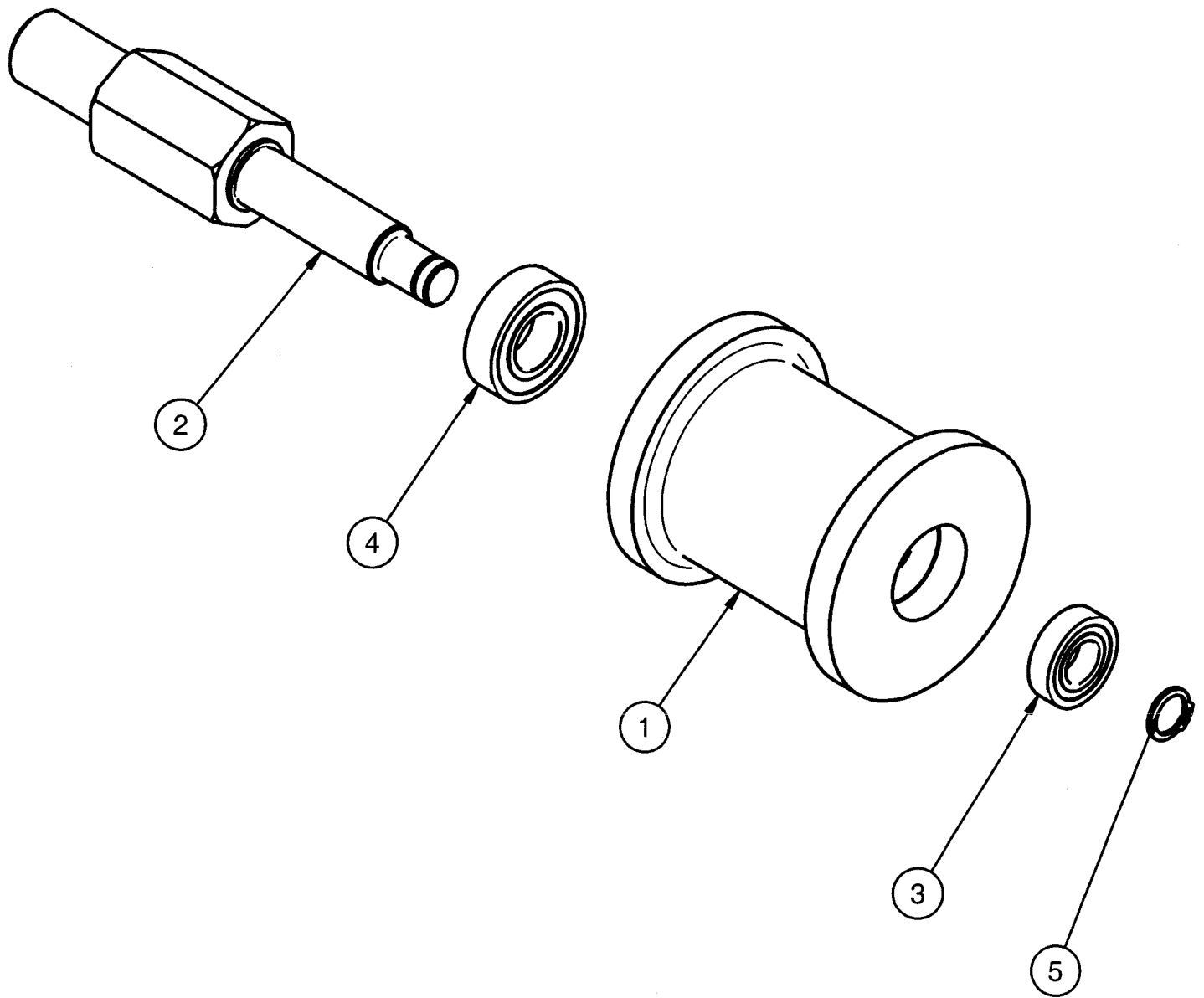
DETAIL A

1 FOR COMPLETE NOZZLE KIT
USE PART NUMBER 03230047





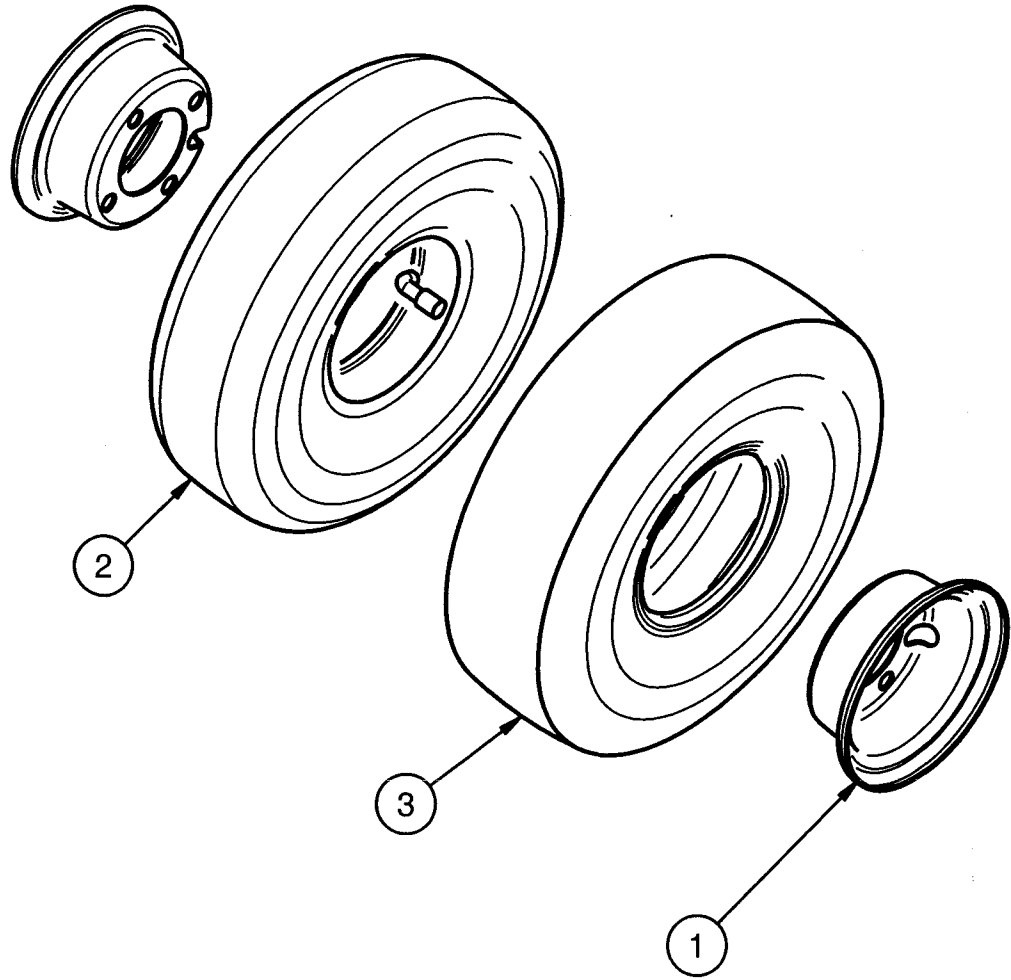
ITEM	PART #	DESCRIPTION
	M690001	BOLT,SHEAR,3/8-16x4.50,SST,LW4K-ARCH
2	71511-LS	WASHER,1/4,LOCK,SST
3	71013-NCS	NUT,3/8-16,HEX,LOCK,SST
4	71009-NFS	NUT,#10-32,HEX,LOCK,SST
5	70106-HCS	SCREW,1/4-20x.50,HHCS,SST
6	70064-SFS	SLOTTED, RND HD,#10-32 x 1, SST
7	67601-S	PLUG,PIPE,SQ-HD,1/4,304SS
8	64152-4M	NOZZLE,FAN,4003,.25NPT,SST
9	64116-4M	NOZZLE,FAN,2503,.25NPT,SST
10	64084-4M	NOZZLE,FAN,1505,.25NPT,SST
11	64082-4M	NOZZLE,FAN,1504,.25NPT,SST
12	1-122BU-T	BACKUP-RING,3/32"NOM,1.143"ID,.086"W,TEF
13	1-122-B	O-RING,1-1/8"ID,3/32"C/S,1-5/16"OD,BUNA
14	06240131	PLATE,FLAT,19x51x3mm,SST
15	06160200	COVER,ARCH,SIDE,LWM5
	06140486	BRACKET,SAFETY-ACTUATOR,SPRAY-ARCH,LWM5
17	05040068	SCREW,PPHMS,M5x16mm,SST
18	05030047	WASHER,FENDER,M5,SST
19	03220144	MANIFOLD,ARCH,SIDE,SPRAY,M5

		PDQ MANUFACTURING, INC. De Pere, WI A DODGE COMPANY	
TITLE: LWM5 SIDE ARCH			
DRAWING:	11130017	REV:	00
		SHEET:	1 OF 1


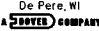


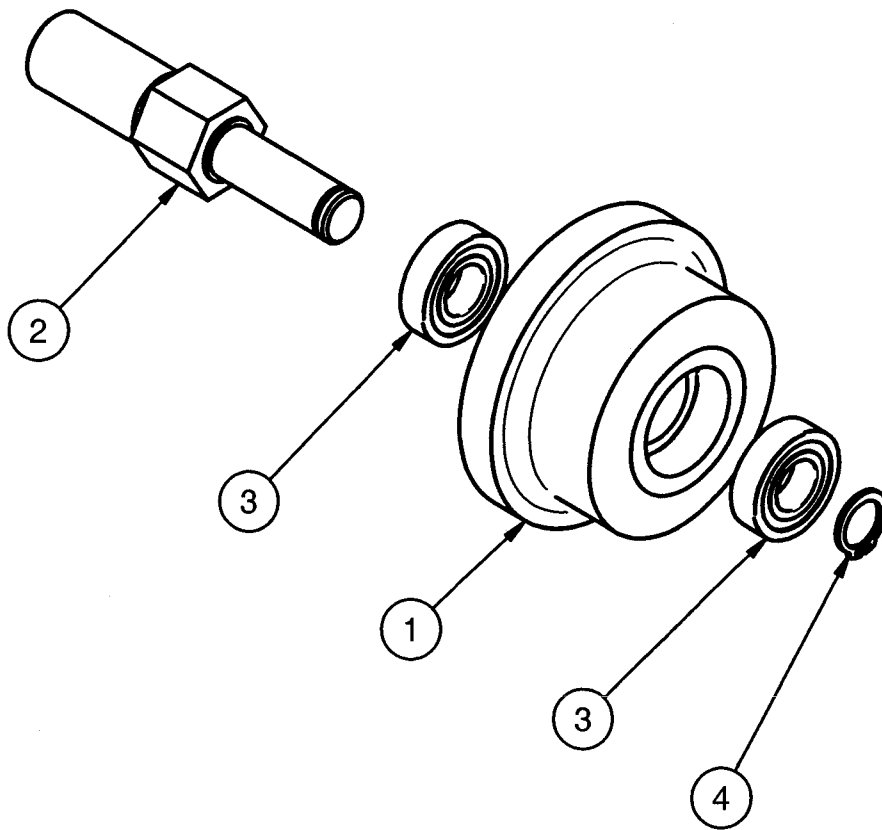
ITEM	PART #	DESCRIPTION
1	06170023	ROLLER,BRIDGE,LWM5
2	06150024	SHAFT,ROLLER,BRIDGE,LWM5
3	06010012	BEARING,BALL,SEALED,15mm,SST
4	06010003	BEARING,BALL,SEALED,20mm,SST
5	05120005	RETAINING-RING,EXT,15mm,SST,HEAVY-DUTY

		PDQ MANUFACTURING, INC. De Pere, WI A  COMPANY	
TITLE:		BRIDGE ROLLER LWM5	
DRAWING:	REV:	SHEET:	
11150007	00	1 OF 1	




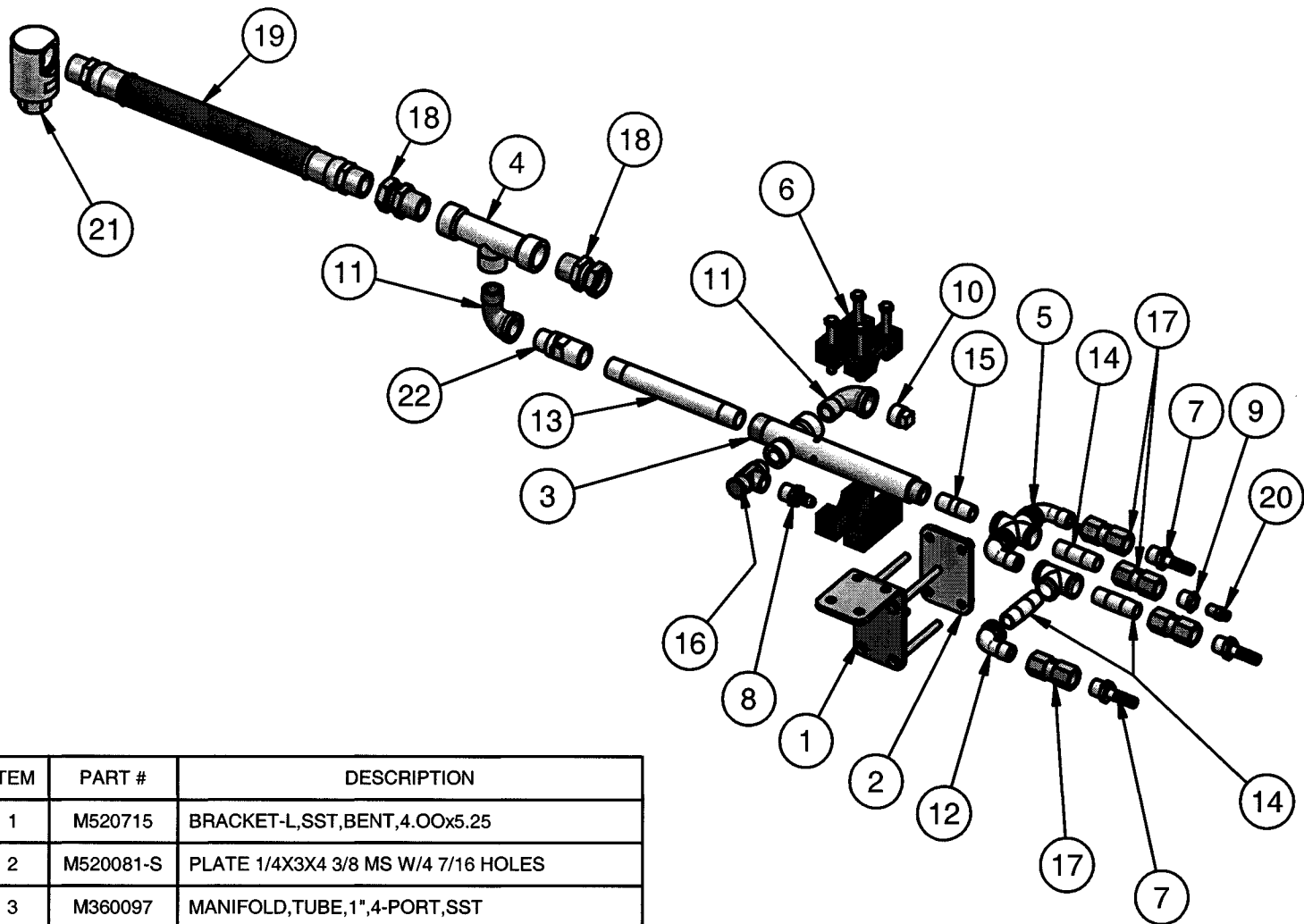
EM	PART #	DESCRIPTION
1	16902-S	RIM,SPLIT,4.00,SST
2	16901	TUBE,TIRE,TROLLEY/BRIDGE-DRIVE,LW4K
3	16900	TIRE,4.10/3.50x4,4PLY

		PDQ MANUFACTURING, INC. De Pere, WI A  COMPANY	
TITLE: BRIDGE/TROLLEY TIRE ASSY LWM5			
DRAWING: 11150025		REV: 00	SHEET: 1 OF 1



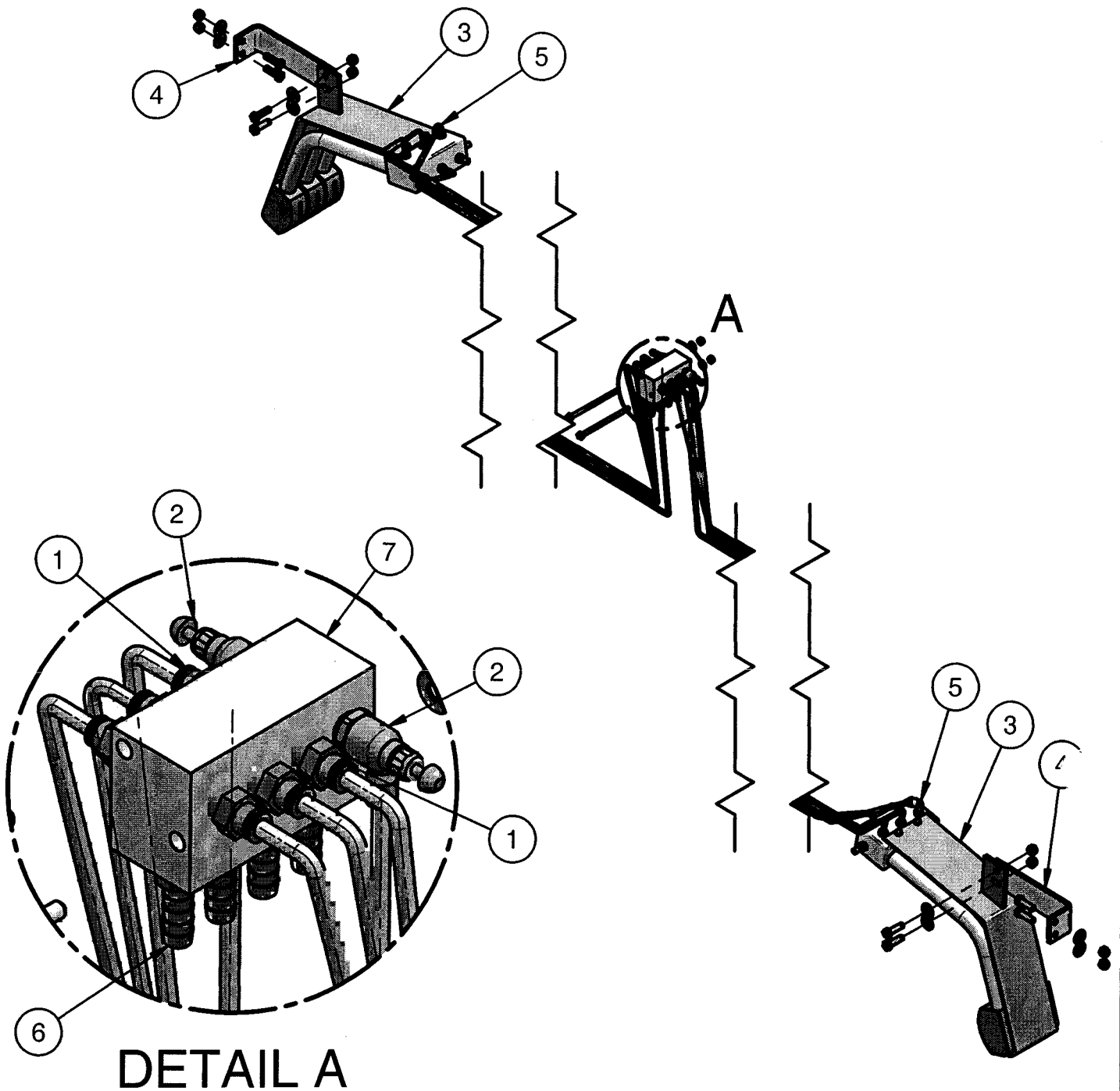
ITEM	PART #	DESCRIPTION
1	06170022	ROLLER,TROLLEY,LWM5
2	06150063	SHAFT,ROLLER,TROLLEY,LWM5
3	06010012	BEARING,BALL,SEALED,15mm,SST
4	05120005	RETAINING-RING,EXT,15mm,SST,HEAVY-DUTY

		PDQ MANUFACTURING, INC. De Pere, WI <small>A DEXTER CORP. COMPANY</small>
TITLE: TROLLEY ROLLER ASSY LWM5		
DRAWING: 11150029	REV: 00	SHEET: 1 OF 1





ITEM	PART #	DESCRIPTION
1	M520715	BRACKET-L,SST,BENT,4.00x5.25
2	M520081-S	PLATE 1/4X3X4 3/8 MS W/4 7/16 HOLES
3	M360097	MANIFOLD,TUBE,1",4-PORT,SST
4	M360096	MANIFOLD,TEE,1",3-PORT,SST
5	M360062	CROSS WELDMENT 1/2 SS W/2 1/2 ST ELLS
6	75027	CLAMP,TUBE,1" PIPE,(PAIR)
7	68117-MS	HOSE-BARB,1/2Hx1/2MNPT,SST
8	68117-MHN	HOSE-BARB,1/2Hx1/2MNPT,NYL
9	67704-S	BUSHING,PIPE,1/2x1/4,304SST
10	67604-S	PLUG,3/4NPT,SST,SQH
11	67493-4S	ELBOW,STREET,3/4NPT,90DEG,SC40,SST
12	67491-4S	ELBOW,STREET,.5,90-DEG,SST
13	67014-L4S	NIPPLE,3/4MPTx8.00",SC40,SST
14	67013-C4S	NIPPLE,1/2MPTx2.50",SC40,SST
15	67013-B4S	NIPPLE,1/2MPTx2.50",SC40,SST
16	63182	VALVE PRESSURE RELIEF 1/2 125PSI BR
17	63142	VALVE,CHECK,1/2FPT,3200PSI,LIQ,SST
18	44562-N	ADAPTER,1.00-COMP-SWVLx1.00MPT,STL,NI-PL
19	43902	HOSE,HYD,1.00-MPT,18.00-OAL,2000PSI
20	24025-PB	TUBE-FTG,CONN,1/4"Tx1/4MPT,BRS
21	03240011	SWIVEL,90°,1FNPT,LW4K,M5
22	03010144	VALVE,CHECK,3/4NPT,SST,2000PSI,F-M

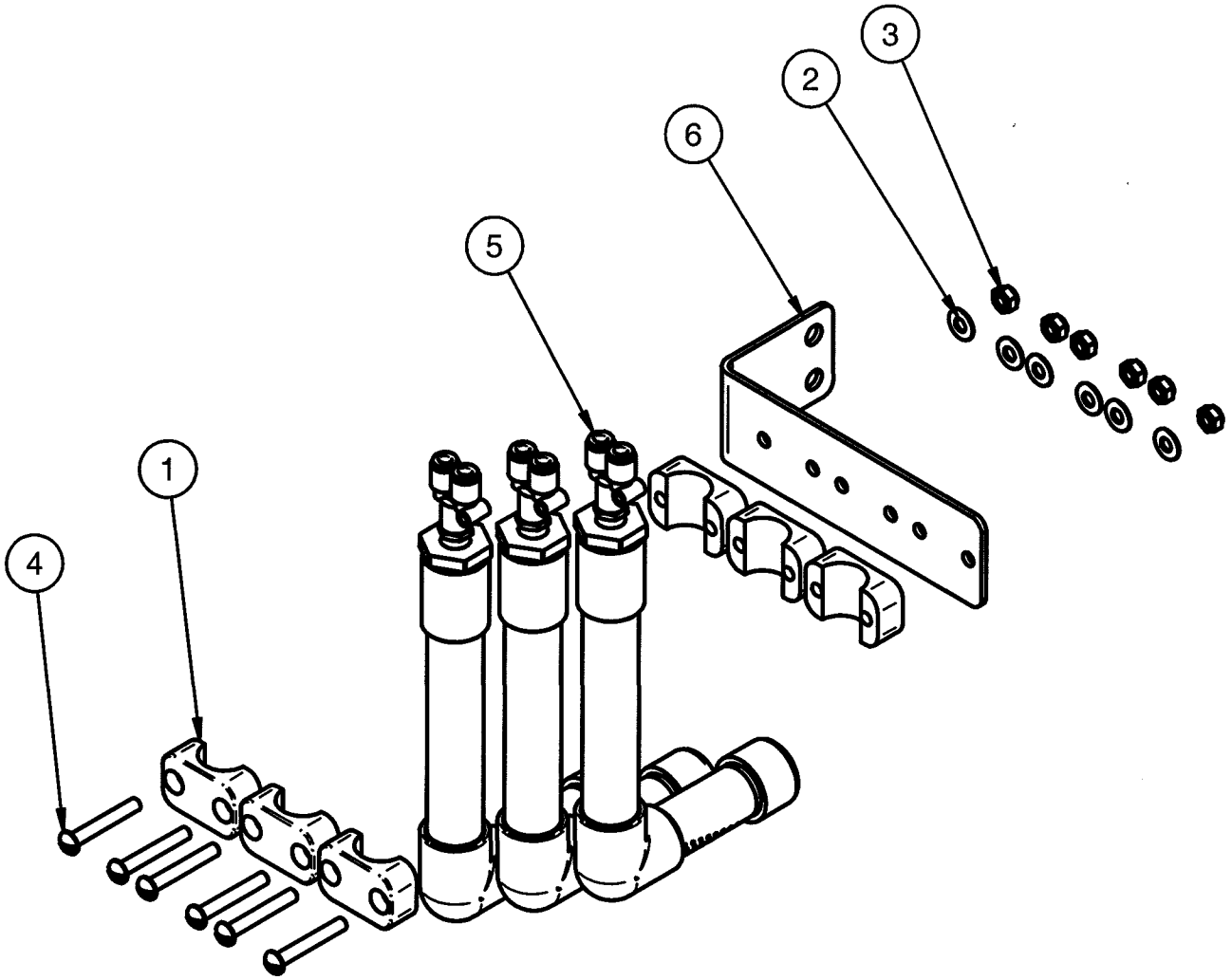
		PDQ MANUFACTURING, INC. De Pere, WI A  COMPANY
TITLE: OVERHEAD MANIFOLD LWM5		
DRAWING: 11250011	REV: 02	SHEET: 1 OF 1




DETAIL A

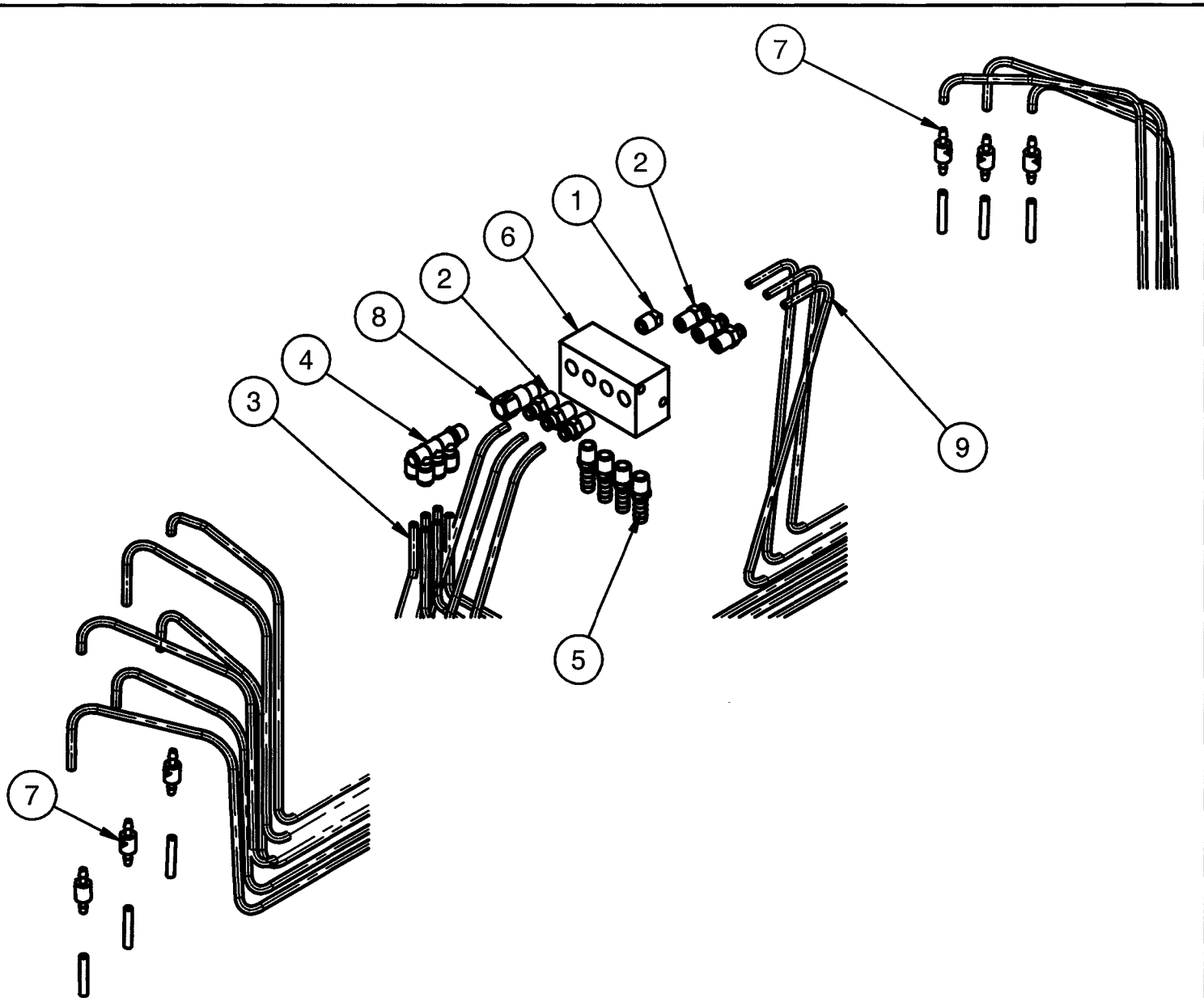
ITEM	PART #	DESCRIPTION
1	24025-PB	TUBE-FTG,CONN,1/4"Tx1/4MPT,BRS
2	21131	VALVE,FLOW-CONTROL,90,1/4Tx1/4MPT
3	11250041	MANIFOLD,90-PORT,1.3mm
4	06140217	BRACKET,3X-SPRAY-MANIFOLD,SST
5	03320007	TUBE-FTG,ELBOW-90°,1/4Tx1/4STEM,PUSH,PLS
6	03310003	HOSE-BARB,3/8Hx1/4MNPT,BRS
7	03220090	MANIFOLD,3X-COLOR-FOAM,DIVIDER,PVC

		PDQ MANUFACTURING, INC. De Pere, WI 
TITLE: LWM5 3X FOAM OPTION		
DRAWING: 09170004	REV: 00	SHEET: 1 OF 1


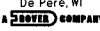


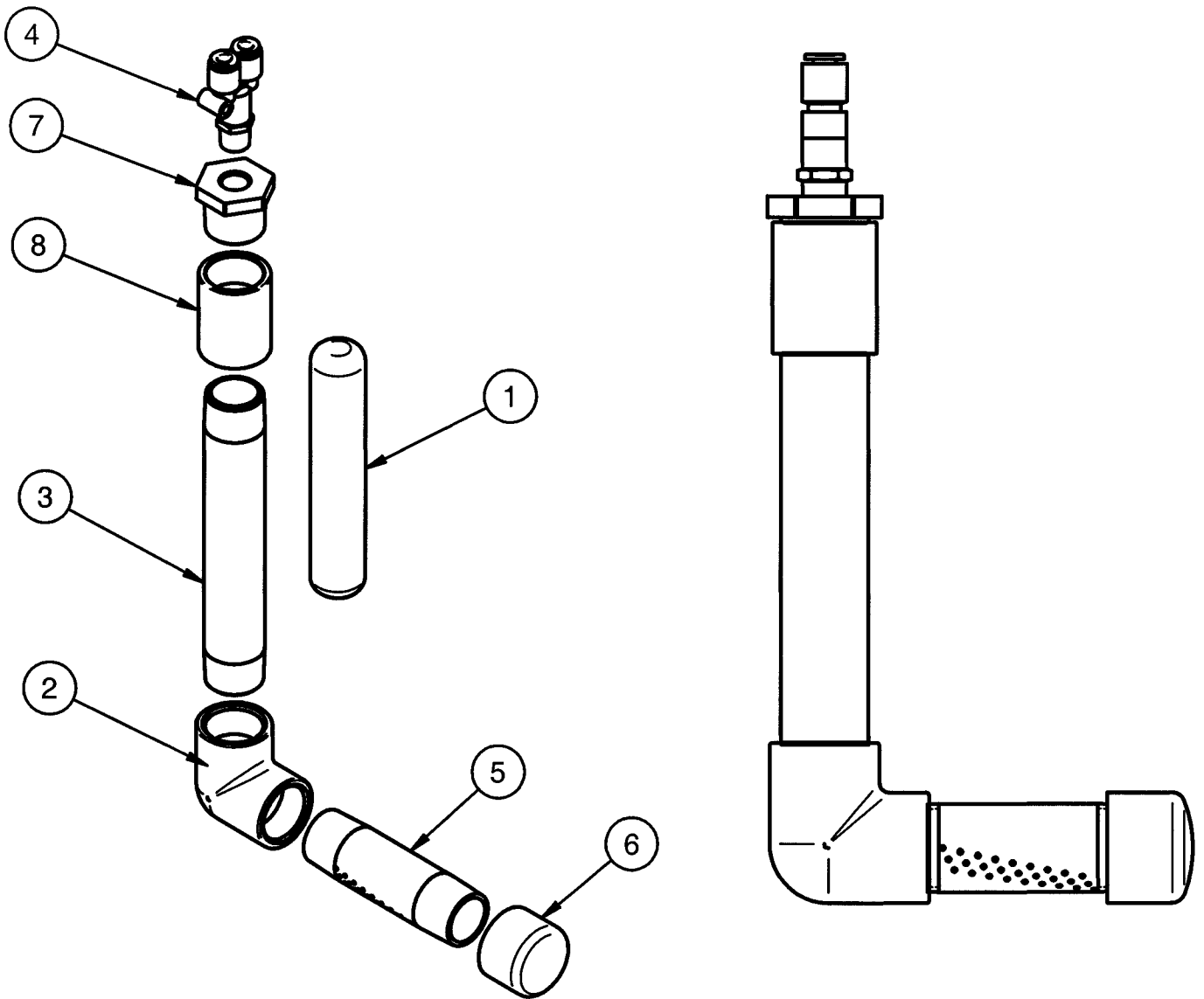
ITEM	PART #	DESCRIPTION
1	75016	CLAMP,TUBE,1",PP,STANDARD
2	71511-FS	WASHER,1/4,FLAT,SST
3	71011-NCS	NUT,1/4-20,HEX,LOCK,SST
4	70113-SCS	SCREW,1/4-20x1.75,SRHMS,SST
5	11250111	MANIFOLD,3X-FOAM-APPLICATOR,L-SHAPE
6	06140815	BRACKET,3X-MANIFOLD,LWM5,ALUM

		PDQ MANUFACTURING, INC. De Pere, WI A DUESSE COMPANY
TITLE: M5 3X FOAM APPLICATOR DRIVERS SIDE		
DRAWING: 11250112	REV: 00	SHEET: 1 OF 1




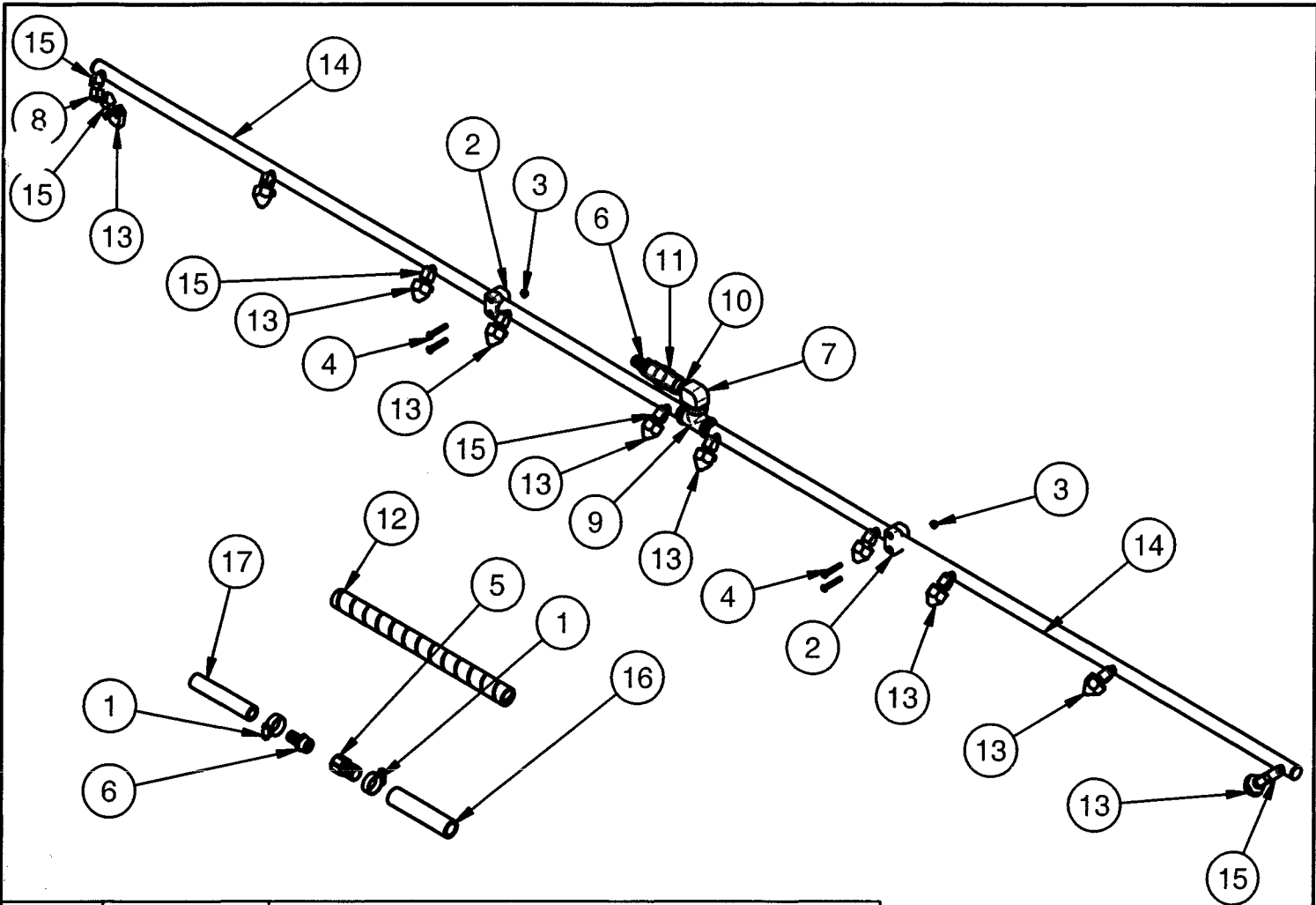
ITEM	PART #	DESCRIPTION
1	67603-B	PLUG,PIPE,1/4"NPT,SQ-HD,BRS
2	24025-PB	TUBE-FTG,CONN,1/4"Tx1/4MPT,BRS
3	23965-NE	TUBING,.25"ODx.04"WALL,NAT-PE
4	03320047	TUBE-FTG,TEE,6PORT,1/4Tx1/4NPT,PUSH,BRS
5	03310003	HOSE-BARB,3/8Hx1/4MNPT,BRS
6	03220090	MANIFOLD,3X-COLOR-FOAM,DIVIDER,PVC
7	03010141	VALVE,CHECK,3/16"BARB,2#,PP
8	03010064	VALVE,CHECK,1/4MNPTx1/4FNPT,BRS-EPDM-SST
9	01120008	TUBING,1/4ODx0.04WALL,230@70F,LLDPE,BLUE

		PDQ MANUFACTURING, INC. De Pere, WI A  COMPANY
TITLE: M5 3X FOAM DIVIDER		
DRAWING: 11250113	REV: 00	SHEET: 1 OF 1



ITEM	PART #	DESCRIPTION
1	91999	MESH,TEFLON
2	67408-4P	ELBOW,3/4NPT,90DEG,SC40,PVC
3	67014-18P	NIPPLE,3/4NPTx6.00,SC80,PVC
4	03320048	TUBE-FTG,Y,1/4Tx1/4NPT,PUSH,PLSTC
5	03230073	NOZZLE,SPRAY,3X-FOAM
6	03100018	CAP,3/4NPT,SCHED40,PVC
7	03090019	BUSHING,3/4NPTx1/4NPT,PVC
8	03070044	COUPLING,3/4NPT,SCHED40,PVC

		PDQ MANUFACTURING, INC. De Pere, WI A QUOTE COMPANY
TITLE: 3X FOAM APPLICATOR		
DRAWING: 11250111	REV: 00	SHEET: 1 OF 1

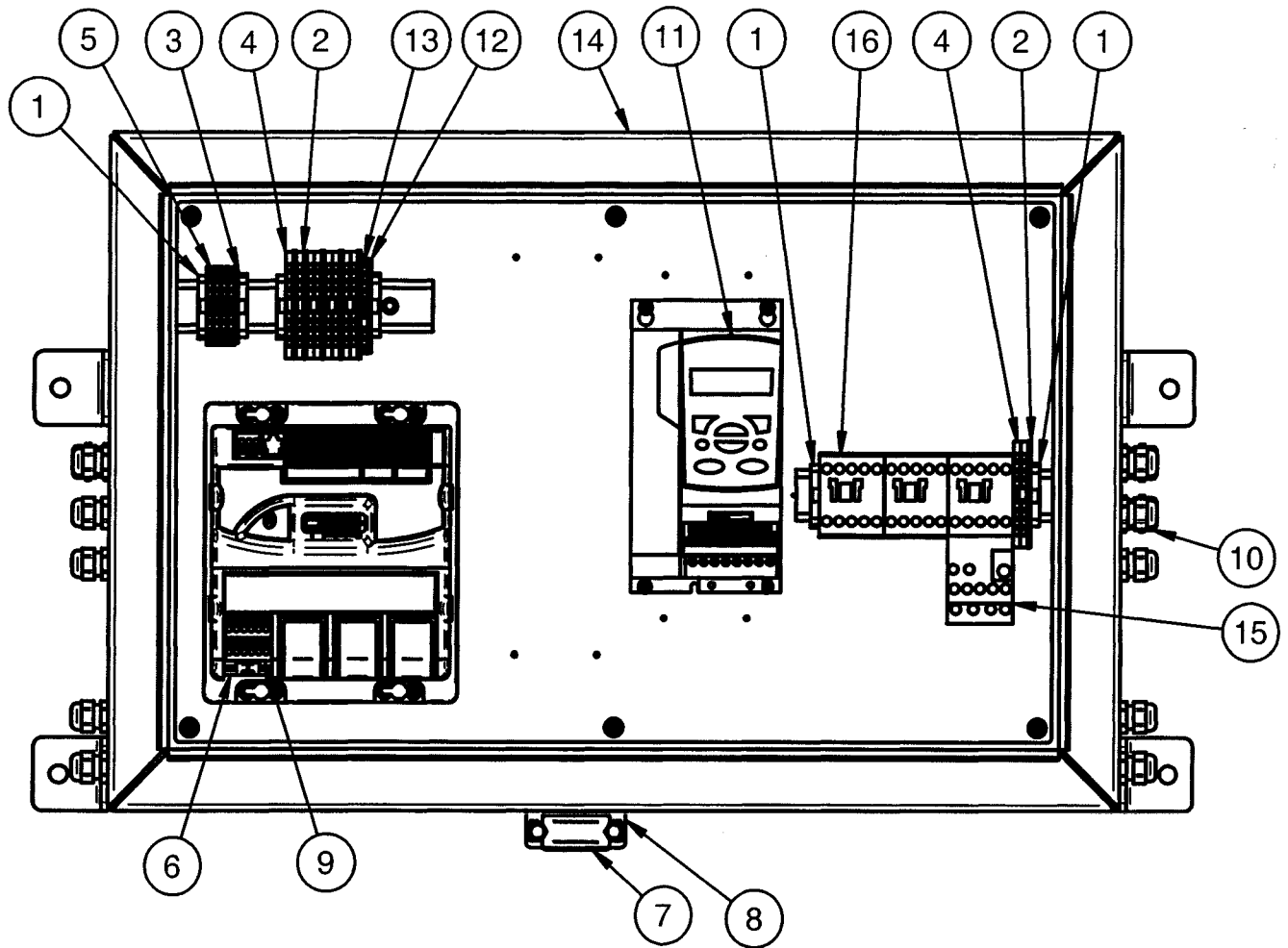


ITEM	PART #	DESCRIPTION
1	75106	HOSE-CLAMP,#24,1-1/16x2",SS
2	75016	CLAMP,TUBE,1",PP,STANDARD
3	71011-NCS	NUT,1/4-20,HEX,LOCK,SST
4	70113-SCS	SCREW,1/4-20x1.75,SRHMS,SST
5	68128-FHB	HOSE-BARB,1Hx3/4FNPT,BRS
6	68123-MHB	HOSE-BARB,3/4Hx3/4MNPT,BRS
7	67493-4B	ELBOW,STREET,3/4NPT,90DEG,BRS,BARSTOCK
8	67487-4B	ELBOW,STREET,1/4NPT,90DEG,SHORT,SC40,BRS
9	67120-4S	TEE,PIPE,3/4"NPT,SST
10	67014-4B	NIPPLE,3/4NPTxCLOSE,SC40,BRS
11	63119	VALVE,CHECK,3/4"NPT,200psi,BRS
12	06370062	SLEEVE,SPIRAL,.75-1.00Hx18.00,PLSTC
13	03230029	NOZZLE,DEFLECTION,5060,1/4MNPT,BR
4	03220099	MANIFOLD,PIPE,.75,1/4NPTx5,SC40,SST
15	03040001	ELBOW,STREET,1/4NPT,45DEG,BRS
16	01130026	HOSE,1.00,300,BLACK,SYN-RBR,SYN-YRN
17	01130025	HOSE,.75,250,BLACK,SYN-RBR,SYN-YRN


PDQ PDQ MANUFACTURING, INC.
De Pere, WI
A SPIDEX COMPANY

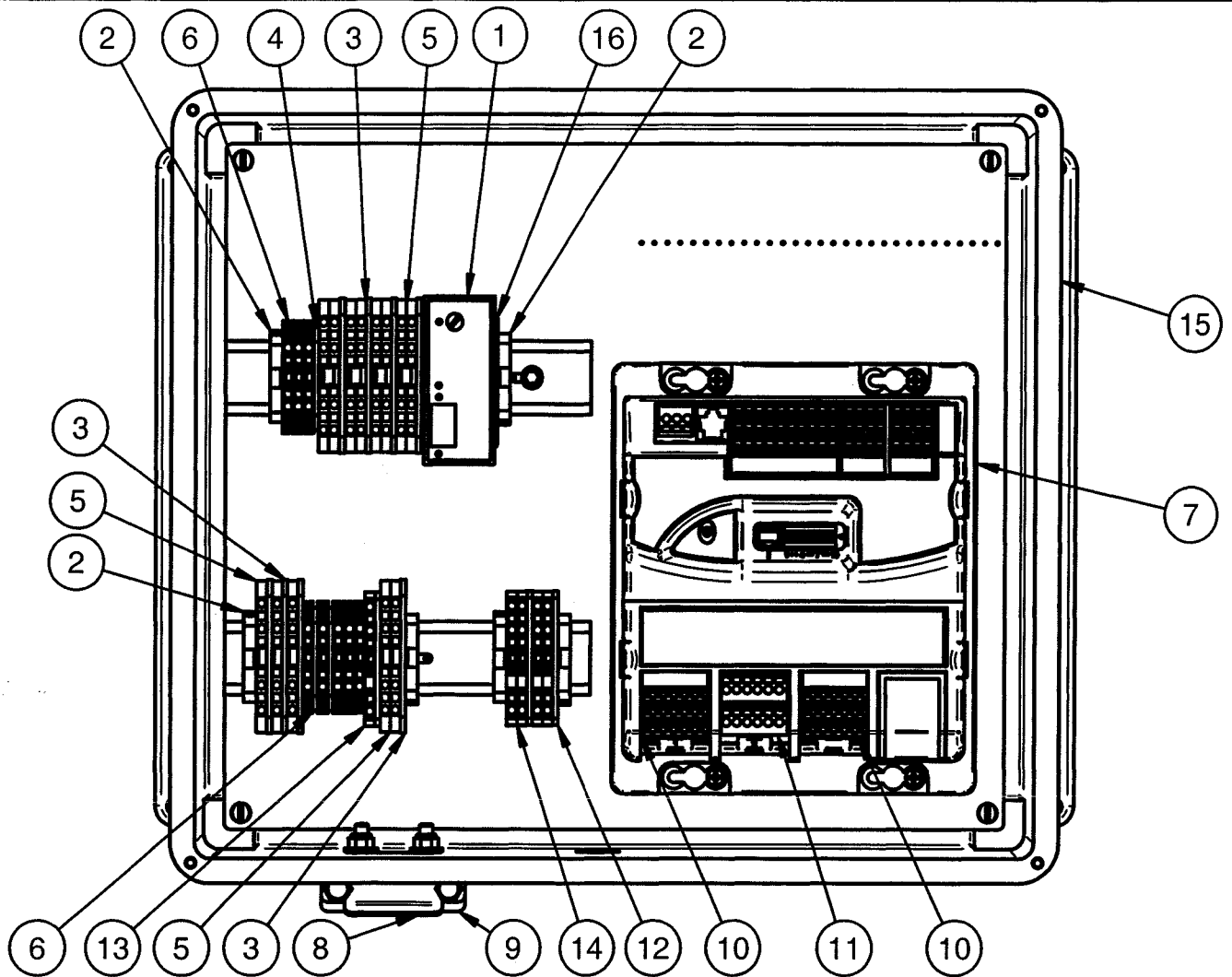
TITLE:
LWM5 PRODUCTIVITY RINSE

DRAWING: **09170007** REV: **00** SHEET: **1 OF 1**



ITEM	PART #	DESCRIPTION
1	36650	END-STOP,GREY,6mm,249-116
2	36607	END-PLATE,FRONT,4P,280-317
3	36606	END-PLATE,FRONT,2P,PLST,280-331
4	36507	TERMINAL-BLK,26-14GA,4P,PLST
5	36506	TERMINAL-BLK,26-12GA,2P,PLST,280-601
6	11010052	CONTROL-BOX,I/O-MODULE
7	06140483	BRACKET,FESTOON-CLAMP,CLAMP,SST,M5
8	06140474	BRACKET,FESTOON-CLAMP,ANGLE,SST,M5
9	04580019	CIRCUIT-BOARD,OUTPUT,5-RELAY,6A
10	04450017	STRAIN-RELIEF,PG13,.197-.472",GND-CONN
11	04180018	FREQ-DRIVE,3HP,208-240VAC,3PH,ABB350
12	04100028	TERMINAL-END-BARRIER,WAGO,280-SER,3P,ORN
13	04100026	TERMINAL-BLOCK,3P,28-12AWG,GRAY,WAGO
14	04090044	ENCLOSURE,705x465x213,AL,BRIDGE,M5
15	04030005	OVERLOAD-RELAY,2.2-3.2A
16	04020001	CONTACTOR,9A,1(NO),24VAC

		PDQ MANUFACTURING, INC. De Pere, WI A STANTEC CORP. COMPANY	
TITLE: M5 BRIDGE NODE BOX			
DRAWING: 11010044		REV: 00	SHEET: 1 OF 1

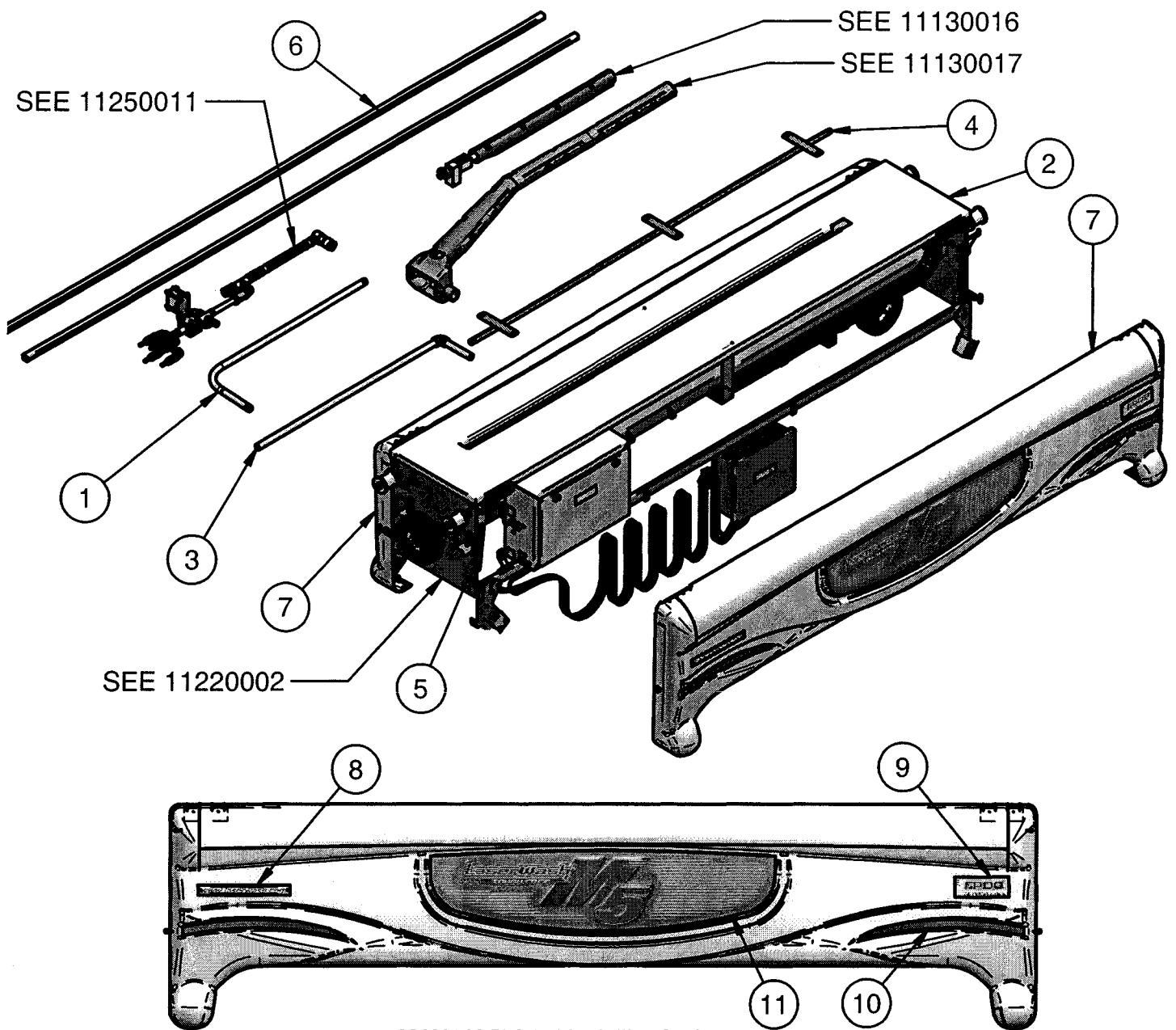


ITEM	PART #	DESCRIPTION
1	93194	PHOTO-EYE,AMP,24VAC,10A,SPDT,11PIN
2	36650	END-STOP,GREY,6mm,249-116
3	36607	END-PLATE,FRONT,4P,280-317
4	36606	END-PLATE,FRONT,2P,PLST,280-331
5	36507	TERMINAL-BLK,26-14GA,4P,PLST
6	36506	TERMINAL-BLK,26-12GA,2P,PLST,280-601
7	11010052	CONTROL-BOX,I/O-MODULE
8	06140483	BRACKET,FESTOON-CLAMP,CLAMP,SST,M5
9	06140474	BRACKET,FESTOON-CLAMP,ANGLE,SST,M5
10	04580026	CIRCUIT-BOARD,OUTPUT,5-RELAY,6A,MULTI-PH
11	04580019	CIRCUIT-BOARD,OUTPUT,5-RELAY,6A
12	04100028	TERMINAL-END-BARRIER,WAGO,280-SER,3P,ORN
3	04100027	TERMINAL-BLOCK,3P,28-12AWG,GRN/YEL,WAGO
14	04100026	TERMINAL-BLOCK,3P,28-12AWG,GRAY,WAGO
15	04090048	ENCLOSURE,16x14,BAY-NODE,M5/G5,W/HLS
16	04060003	RELAY-SOCKET,11-PIN CIRC,300VAC,10A

PDQ PDQ MANUFACTURING, INC.
De Pere, WI
A SPANDEX COMPANY


TITLE: M5 BAY NODE CONTROL BOX

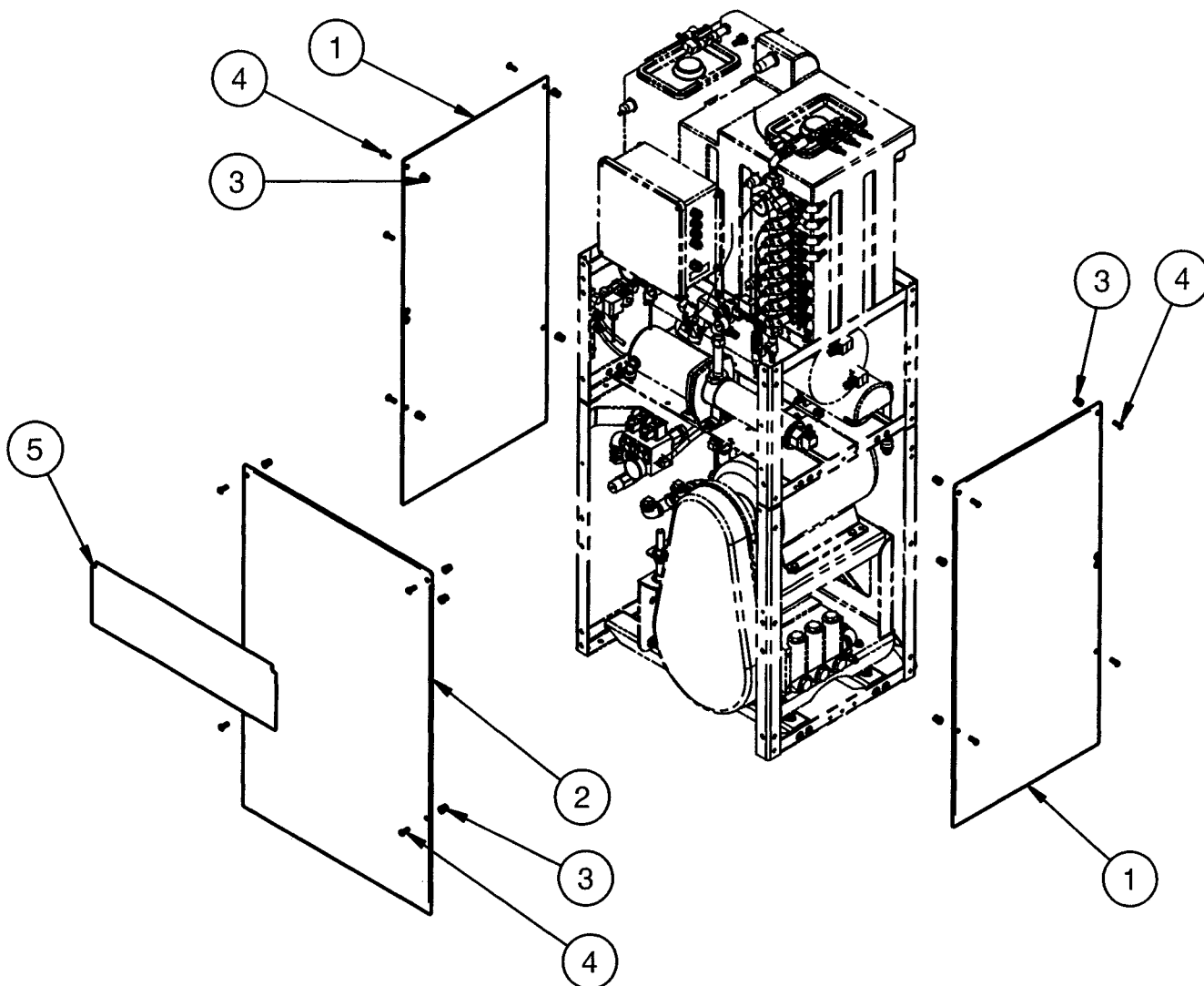
DRAWING: 11010048 REV: 00 SHEET: 1 OF 1





06160313 FRONT COVER W/DECALS

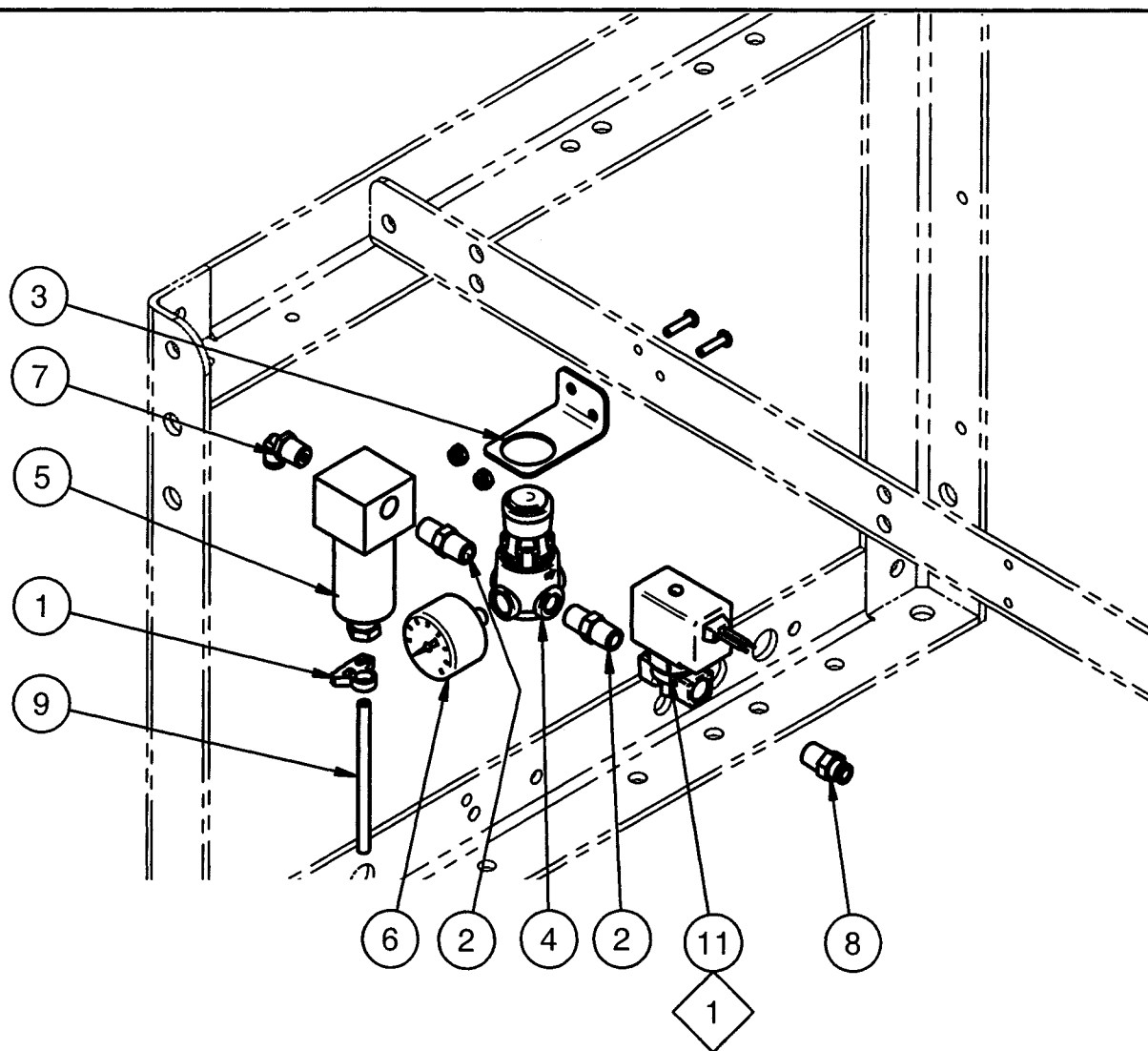
ITEM	PART #	DESCRIPTION
1	M550007	PIPE,BENT,OVERHEAD,LW4000/LWM5
2	M540021	COVER,BRIDGE-TOP
3	M390009	PIPE WELDMENT
4	M360037	MANIFOLD,UNDERBODY,SST
5	92100	CYLINDER,GAS,19.88",7.87mm-ROD,7.87"STRK
6	06450009	CHANNEL,C,30x32x4000mm,SST
7	06160207	COVER,BRIDGE,FGL,W/HARDWARE,LWM5
8	02030080	DECAL,M5-BRIDGE,LASERWASH-URL
9	02030079	DECAL,M5-BRIDGE,PDQ-LOGO
10	02030078	DECAL,M5-BRIDGE,STRIPES,LT/RT
11	02030077	DECAL,M5-BRIDGE,MAIN

		PDQ MANUFACTURING, INC. De Pere, WI A UNITED COMP.
TITLE: LASERWASH M5 MISCELLANEOUS PARTS		
DRAWING: 09010020	REV: 01	SHEET: 1 OF 1



ITEM	PART #	DESCRIPTION
1	06160231	COVER,SIDE,PUMP-STATION,VERTICAL,M5
	06160230	COVER,FRONT,PUMP-STATION,VERTICAL,M5
3	05180006	INSERT,THREADED,1/4UNC,NPRN,BRS
4	05040201	SCREW,,25UNCx1.00,PTHMS,SST
5	02030087	DECAL,M5-PUMP,VERTICAL

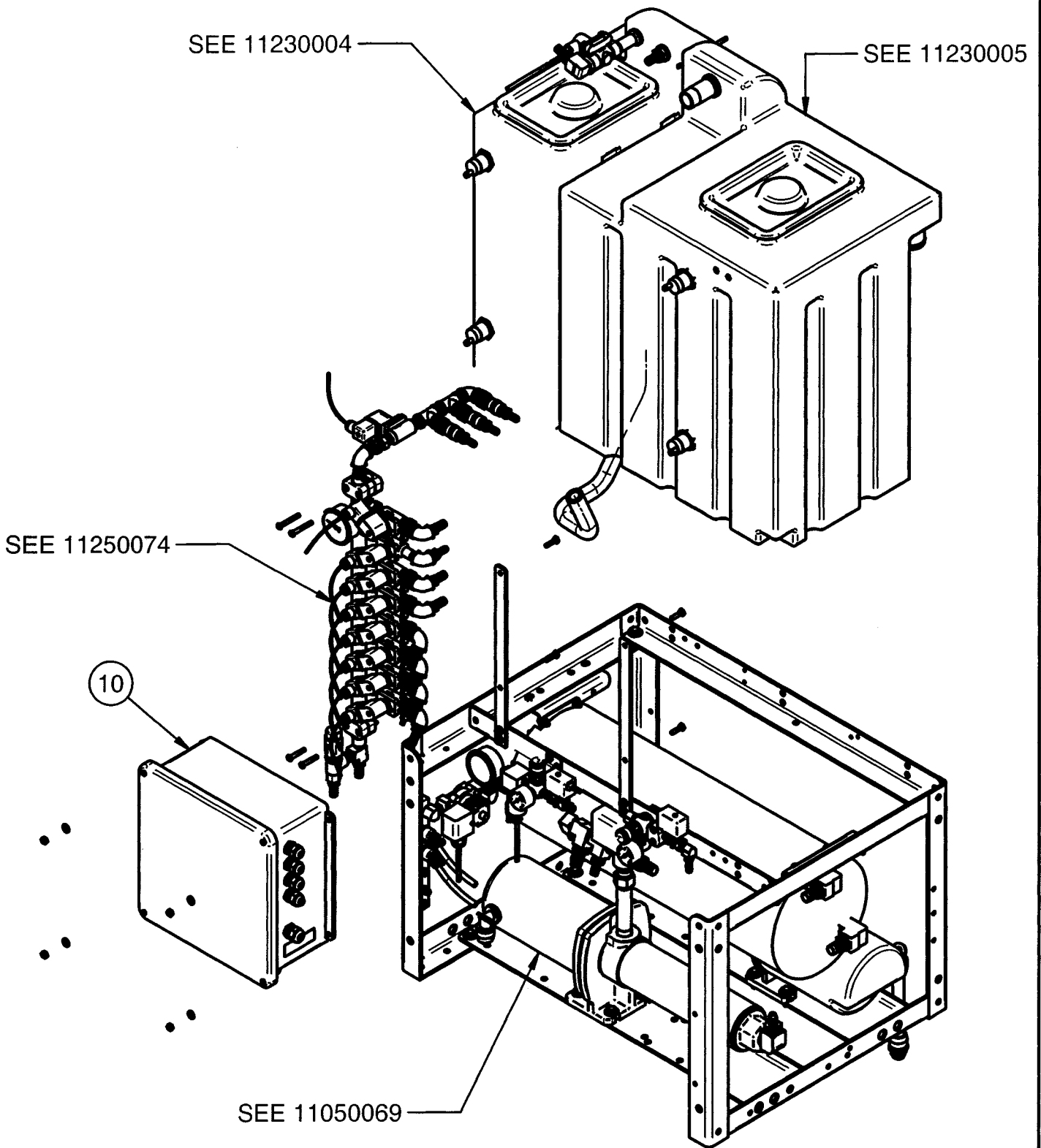
		PDQ MANUFACTURING, INC. De Pere, WI a  COMPANY
TITLE: IMAGE PACKAGE, LWM5 VERTICAL PUMP STATION		
DRAWING: 09020049	REV: 00	SHEET: 1 OF 1




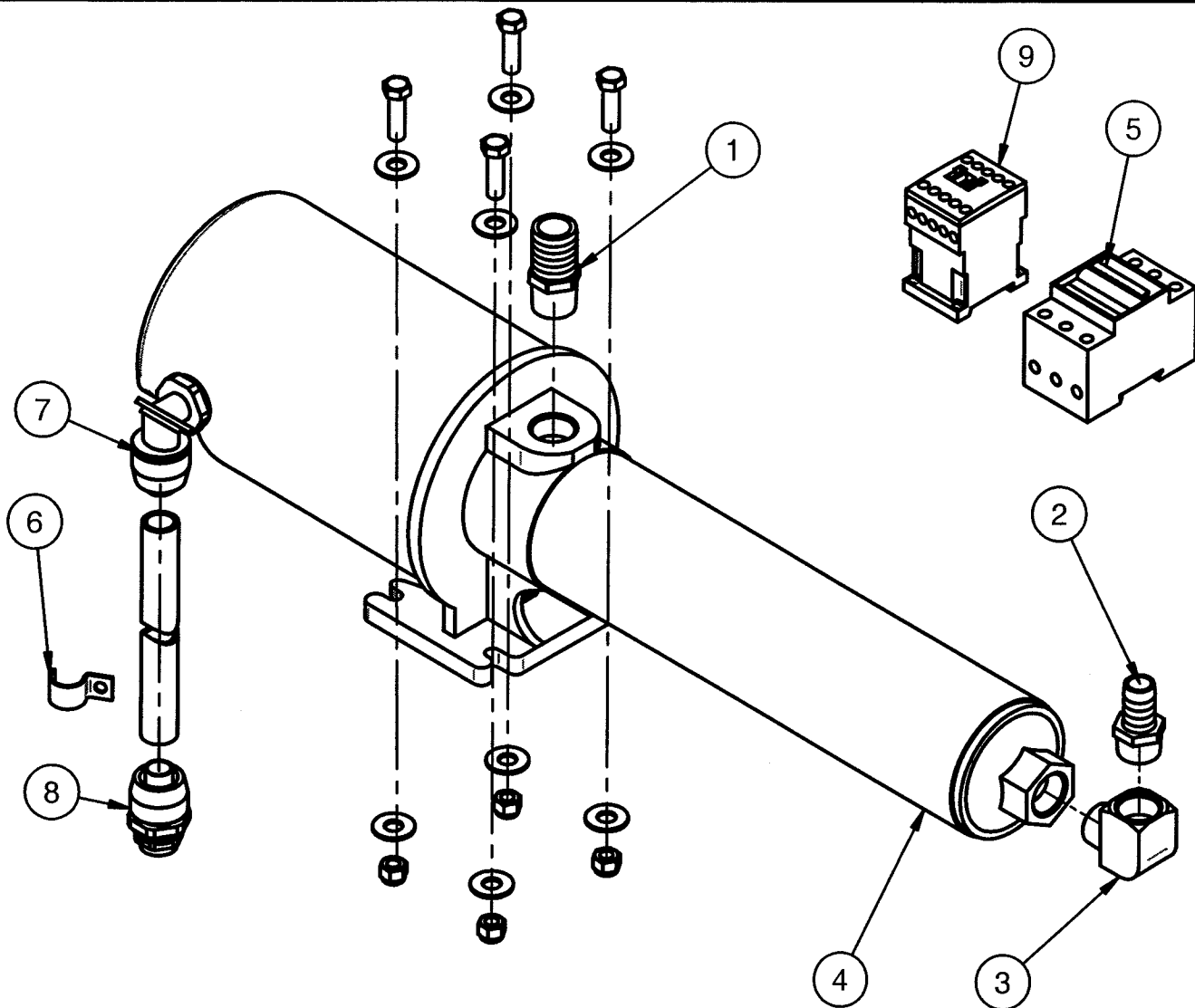
1 ON MACHINES PRIOR TO BRIDGE S/N BA0945. USE VALVE PART NUMBER 63035

ITEM	PART #	DESCRIPTION
1	75120	HOSE-CLAMP,3/8,PLASTIC,BLUE
2	67052-4B	NIPPLE,HEX,1/4"NPT,BRS
3	26310	BRACKET,REGULATOR,MINI
4	26160	VALVE,REG,1/4NPT,125PSI,W/NUT,MINI
5	26124	FILTER,AIR,1/4FNPT,50SCFM,250PSI,ZINC
6	25031	GAUGE,PRES,0-160PSI,1/8NPT,CBM,1.50"
7	24336-PB	TUBE-FTG,ELBOW,1/4"Tx1/4NPT,SWVL,BRS
8	24025-PB	TUBE-FTG,CONN,1/4"Tx1/4MPT,BRS
9	23975-CVF	TUBING,.38ODx.06,VNYL,CLR-FOOD-GR
10	11010152	CONTROL-BOX,12x12",PUMP-NODE,LWM5
11	03010140	VALVE,SOL,2WAY,NC,1/4"NPT,24VAC,BRASS

	PDQ MANUFACTURING, INC. De Pere, WI A DEXTER COMP.	
	TITLE: LOW PRESSURE MODULE VERT PUMP STATION LWM5	
DRAWING:	REV:	SHEET:
09070093	00	1 OF 2



		PDQ MANUFACTURING, INC. De Pere, WI A SPERRY COMPANY
TITLE: LOW PRESSURE MODULE VERT PUMP STATION LWM5		
DRAWING: 09070093	REV: 00	SHEET: 2 OF 2

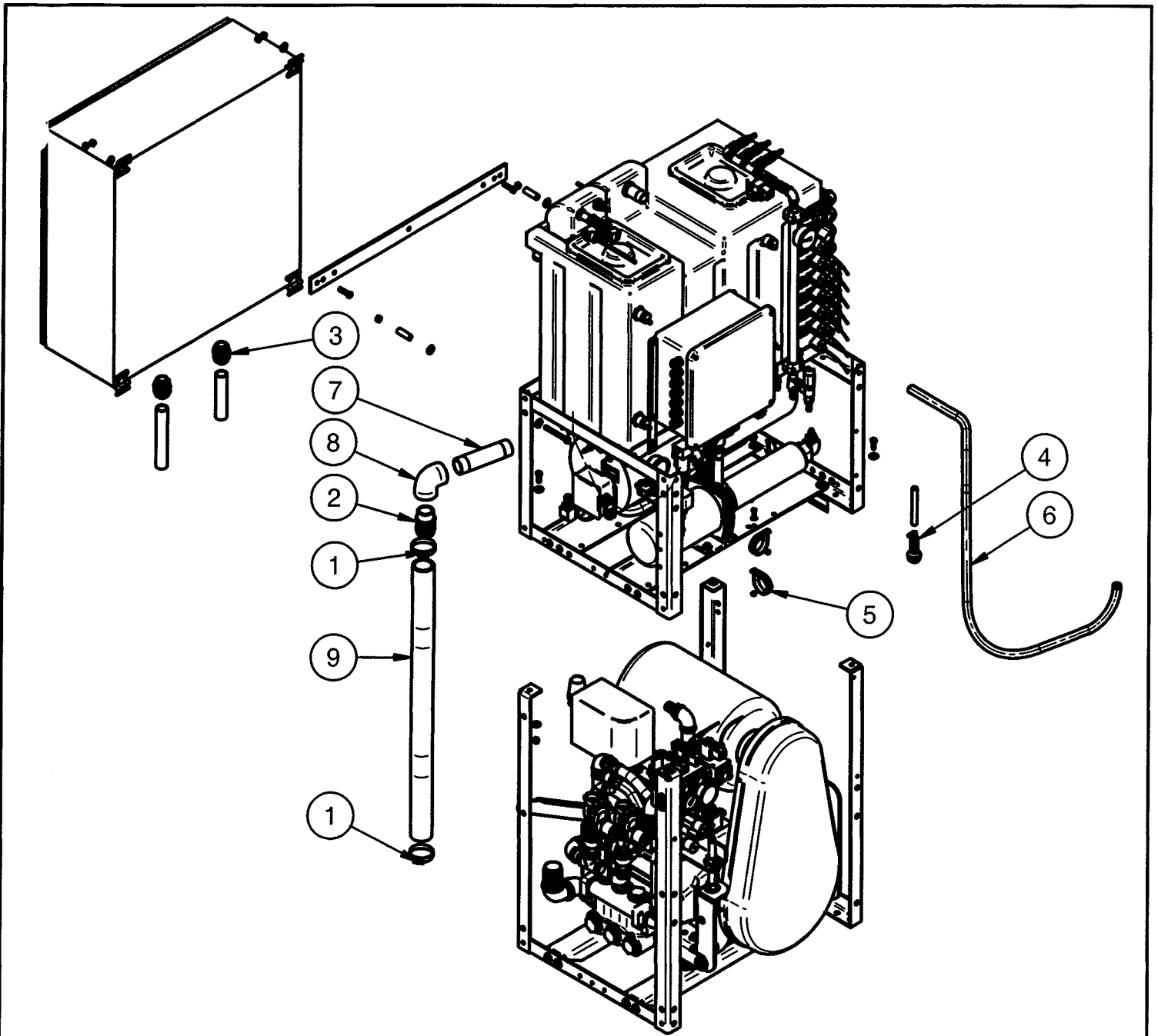


ITEM	PART #	DESCRIPTION
1	68128-MHB	HOSE-BARB,1Hx3/4MNPT,BRS
2	68123-MHB	HOSE-BARB,3/4Hx3/4MNPT,BRS
3	67493-4B	ELBOW,STREET,3/4NPT,90DEG,BRS,BARSTOCK
4	62300	PUMP,HPSPTFREE,W/MOTOR,14STG,1HP,1PH
5	37686	CIRCUIT-BREAKER,3P,4A,D,460V
6	36123	STRAP,CONDUIT,.50,1-HOLE-EMT
7	36084	CONNECTOR,CONDUIT,1/2,ADJUSTABLE,PVC
8	36080	CONNECTOR,CONDUIT,1/2,STRAIGHT,PVC
9	04020001	CONTACTOR,9A,1(NO),24VAC


PDQ PDQ MANUFACTURING, INC.
De Pere, WI
A DEXTER COMPANY

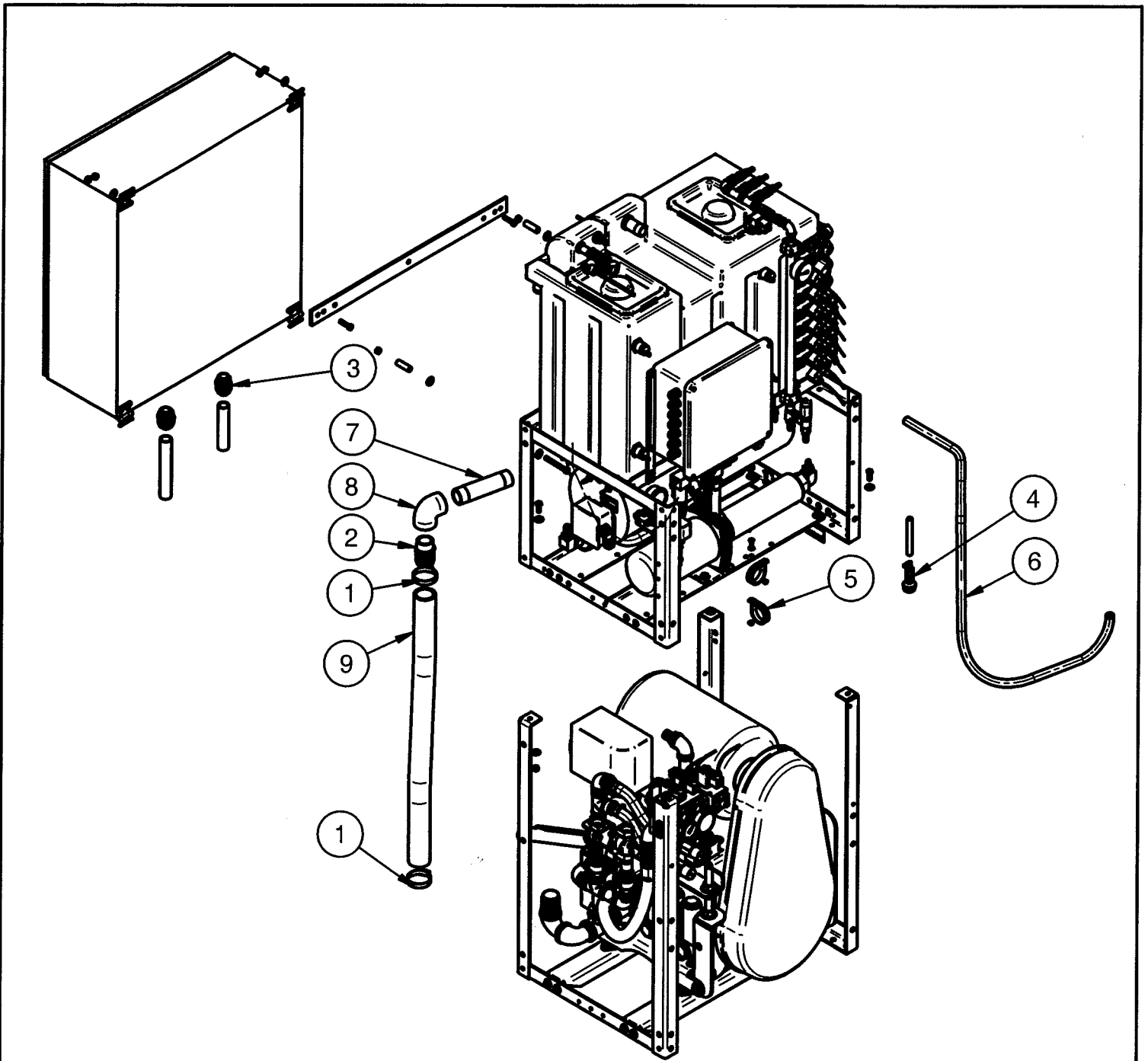
TITLE: SPOT FREE PUMP, 13 GPM
60HZ, LWM5

DRAWING: 09070094 REV: 00 SHEET: 1 OF 1





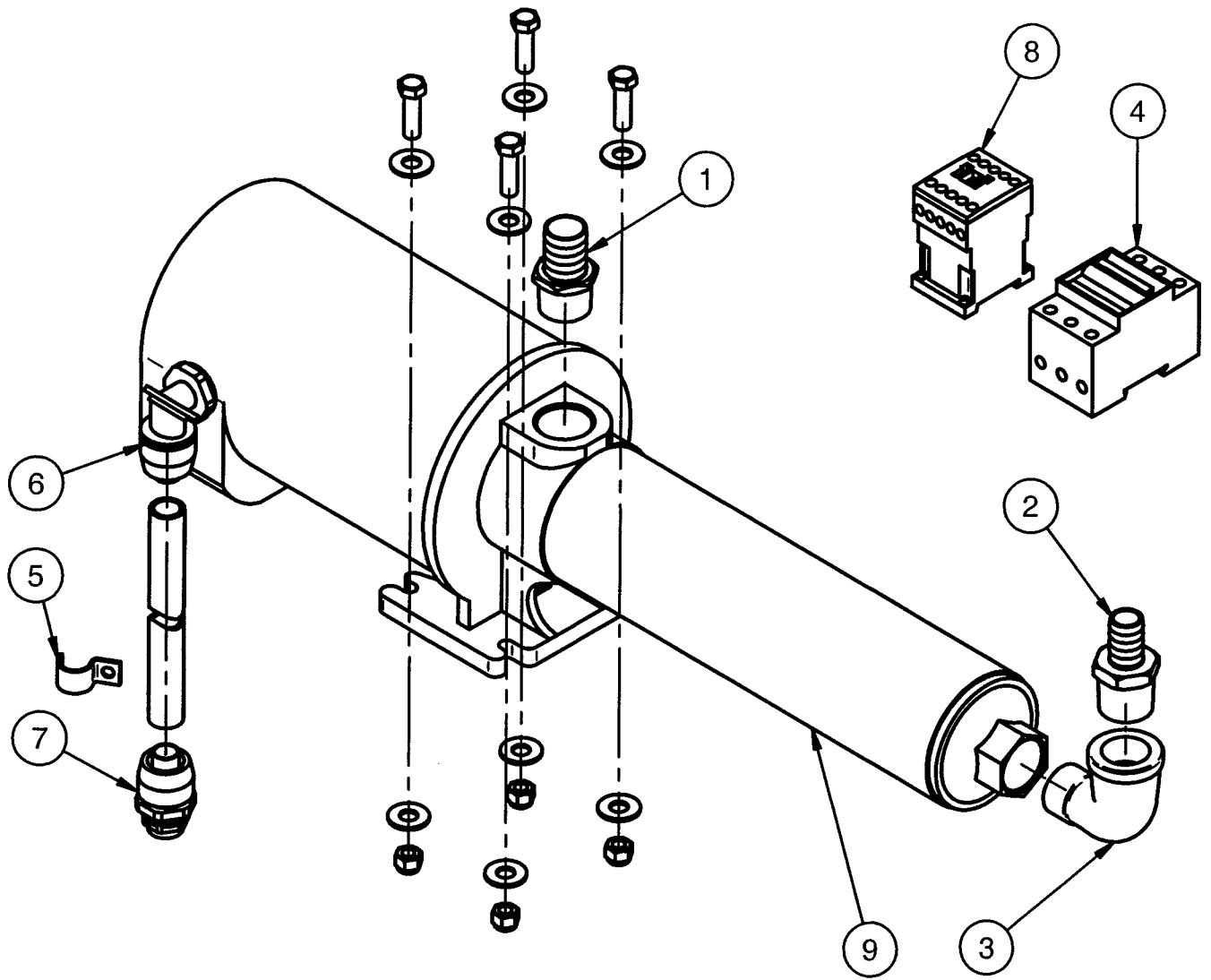
ITEM	PART #	DESCRIPTION
1	75109	CLAMP,HOSE,#36,2.00H,SST
2	68146-MHP	HOSE-BARB,2Hx1-1/2MNPT,PVC
3	36083	CONDUIT,ADAPTOR,1.00-FLEXx1MPT,STR,PLSTC
4	11350022	KIT,FOOT-VALVE,1/4",CLEAR-VINYL-TUBING
5	05050022	CLAMP,CABLE,CUSHIONED,2.00x.5",AL
	03340083	HOSE,70"LONG,.50"DIA,200PSI,EPDM
7	03130043	NIPPLE,1-1/2NPTx7.00,PVC
8	03040005	ELBOW,PIPE,90,1-1/2FPT,SC40,PVC
9	01130021	HOSE,2.00,200PSI,EPDM

		PDQ MANUFACTURING, INC. De Pere, WI A SOUTHERN COMPANY
TITLE: VERT PUMP STATION CAT PUMP, LWM5		
DRAWING: 09070096	REV: 00	SHEET: 1 OF 1



ITEM	PART #	DESCRIPTION
1	75109	CLAMP,HOSE,#36,2.00H,SST
2	68146-MHP	HOSE-BARB,2Hx1-1/2MNPT,PVC
3	36083	CONDUIT,ADAPTOR,1.00-FLEXx1MPT,STR,PLSTC
4	11350022	KIT,FOOT-VALVE,1/4",CLEAR-VINYL-TUBING
5	05050022	CLAMP,CABLE,CUSHIONED,2.00x.5",AL
6	03340083	HOSE,70"LONG,.50"DIA,200PSI,EPDM
7	03130043	NIPPLE,1-1/2NPTx7.00,PVC
8	03040005	ELBOW,PIPE,90,1-1/2FPT,SC40,PVC
9	01130021	HOSE,2.00,200PSI,EPDM

		PDQ MANUFACTURING, INC. De Pere, WI A  COMPANY
TITLE: VERT PUMP STATION GENERAL PUMP, LWM5		
DRAWING: 09070097	REV: 00	SHEET: 1 OF 1



ITEM	PART #	DESCRIPTION
1	68129-MHB	HOSE-BARB,1Hx1MNPT,BR
2	68124-MHB	HOSE-BARB,3/4Hx1MNPT,BRS
3	67495-4B	ELBOW,STREET,90DE,1,SC40,BR
4	37686	CIRCUIT-BREAKER,3P,4A,D,460V
5	36123	STRAP,CONDUIT,.50,1-HOLE-EMT
	36084	CONNECTOR,CONDUIT,1/2,ADJUSTABLE,PVC
7	36080	CONNECTOR,CONDUIT,1/2,STRAIGHT,PVC
8	04020001	CONTACTOR,9A,1(NO),24VAC
9	03180003	PUMP,BOOSTER,80PSI,10.5GPM,WATER,50/60

PDQ PDQ MANUFACTURING, INC.
De Pere, WI
A SPINNEY COMPANY

TITLE: SPOT FREE PUMP, 10.5 GPM
380V/50HZ, LWM5

DRAWING: 09070117 REV: 00 SHEET: 1 OF 1

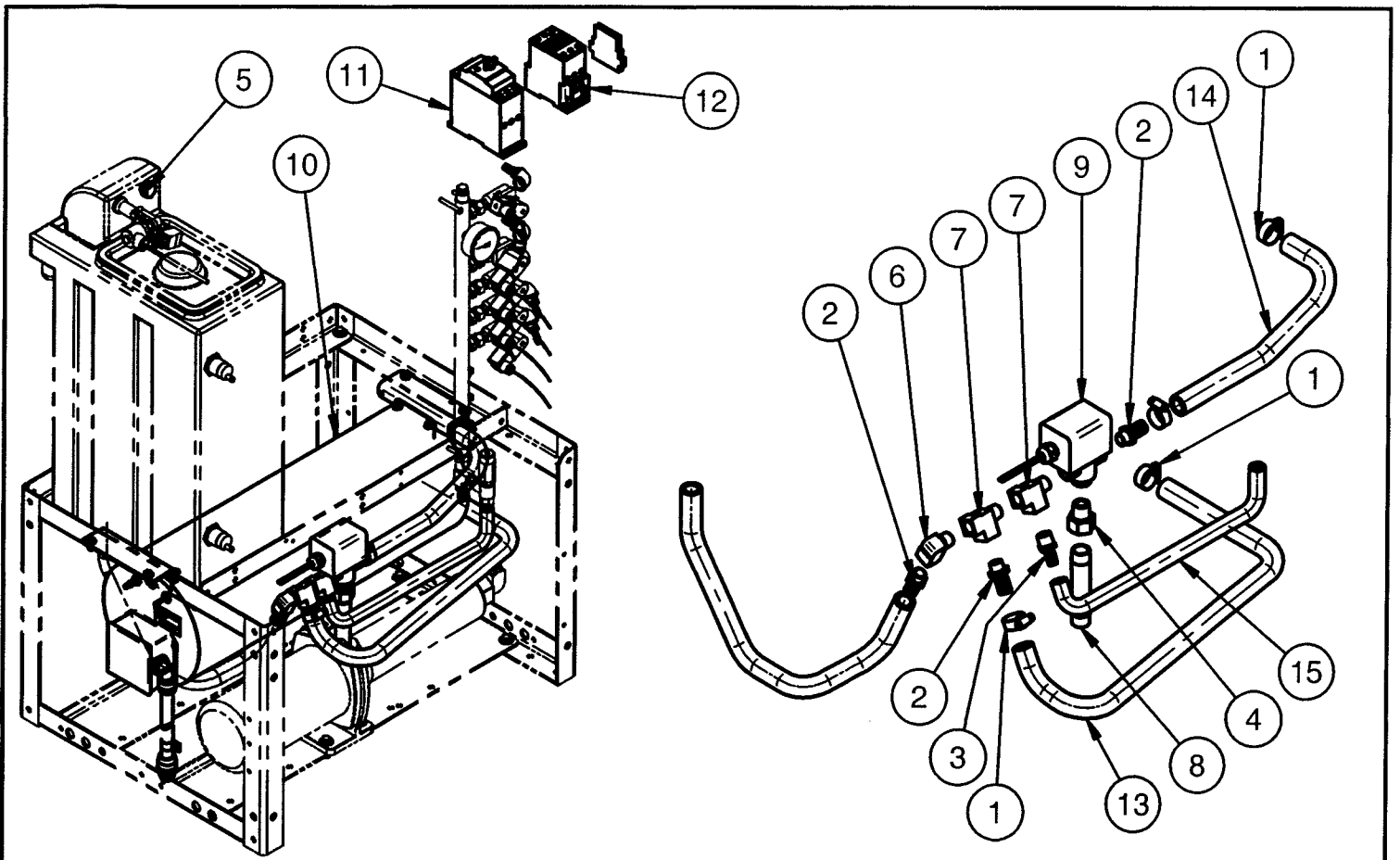

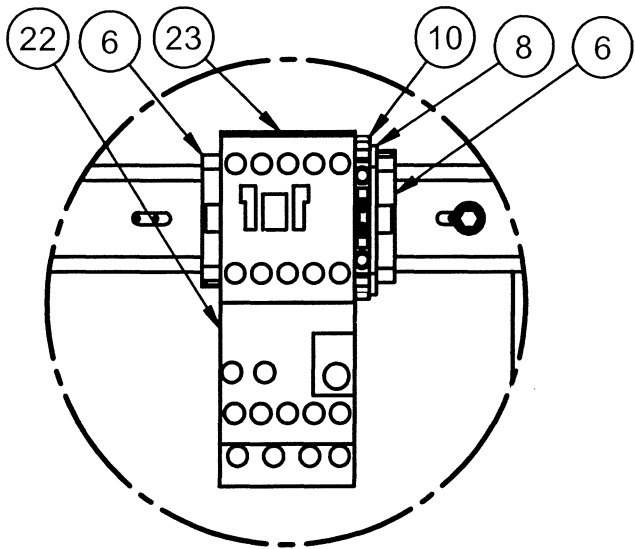


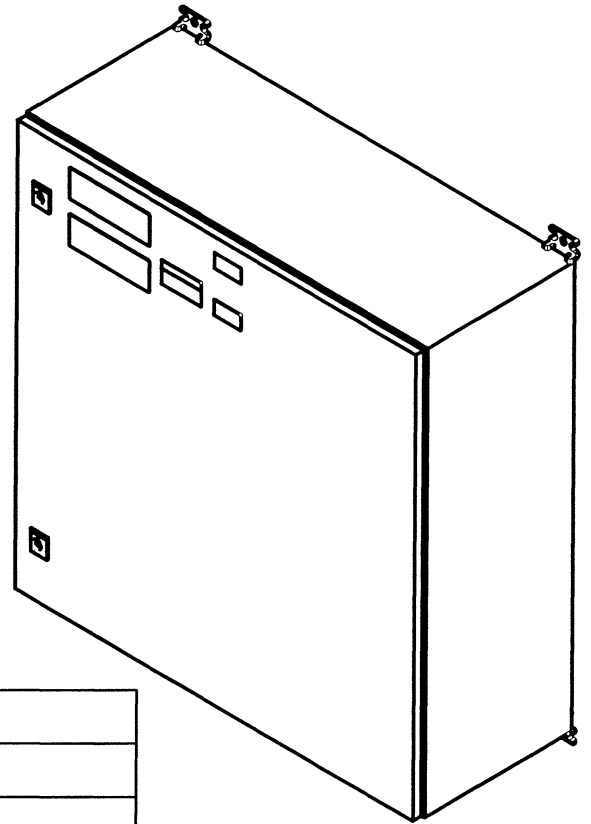
TABLE			
DESCRIPTION	HEATER TANK	CIRCUIT BREAKER	CONTACTOR
208V - 60HZ	11270011	04110010	04020003
220-240V, 60HZ	11270013	04110010	04020003
380V - 50HZ	11270014	04110011	04020002

ITEM	PART #	DESCRIPTION
1	75103	CLAMP,HOSE,#12,.75H,SST
2	68122-MHB	HOSE-BARB,3/4Hx1/2MNPT,BR
3	68117-MHB	HOSE-BARB,1/2Hx1/2MNPT,BRS
4	67923-B	ADAPTER,PIPE,3/4FPTx1/2MPT,BRS
5	67653-N	PLUG,1/2NPT,HEX-HD,NYL
6	67491-4B	ELBOW,STREET,1/2NPT,90DEG,SC40,BRS
7	67200-4B	TEE,1/2NPT,MALE-RUN,SC40,BRS
8	67014-H4B	NIPPLE,3/4NPTx5.00",SC40,BRS
9	63318	VALVE 3-WAY 1/2-24V-60HZ-20PSI
10	SEE TABLE	HEATER,WATER,10KW,208V,M5
11	SEE TABLE	CIRCUIT-BREAKER,3P,22-32A,MSP,480V
12	SEE TABLE	CONTACTOR,32A,24VAC
13	03340088	HOSE,31"LONG,.75"DIA,300PSI,RED
14	03340087	HOSE,17"LONG,.75DIA,300PSI,RED
15	03340085	HOSE,24"LONG,.50DIA,300PSI,EPDM,RED


		PDQ MANUFACTURING, INC. De Pere, WI A TEREX COMP.
TITLE: SOLUTION HEATER LWM5		
DRAWING: 09130007	REV: 00	SHEET: 1 OF 1

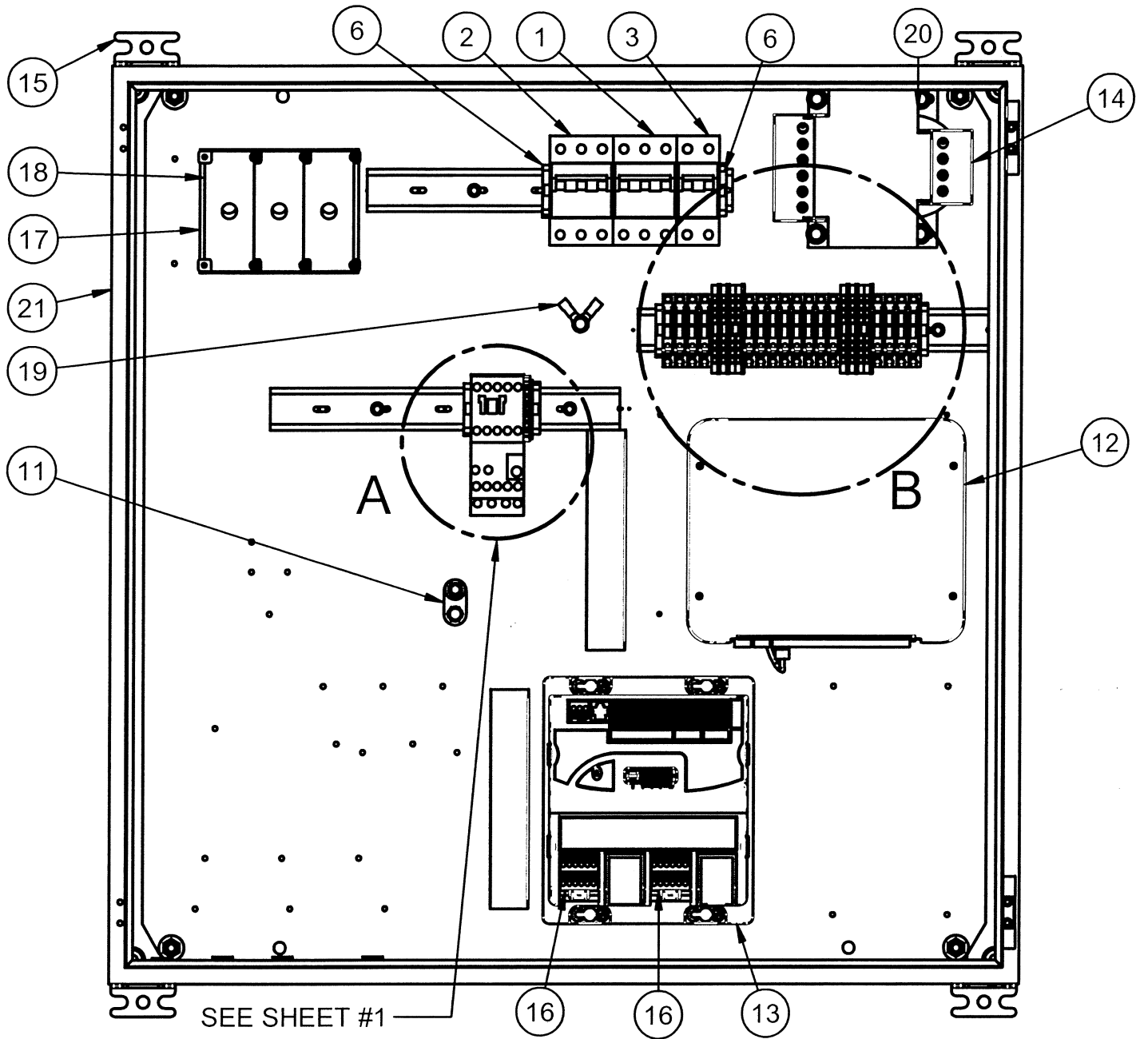


DETAIL A



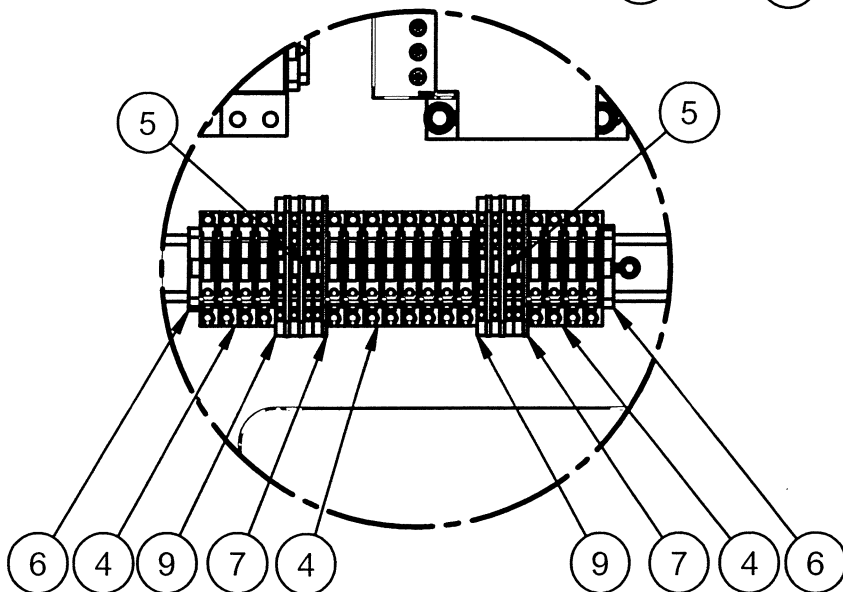
ITEM	PART #	DESCRIPTION
1	37694	CIRCUIT-BREAKER,3P,16A,D,460V
2	37688	CIRCUIT-BREAKER,3P,6A,D,460V
3	37665	CIRCUIT-BREAKER,2P,3A,D,460VAC
4	36904	FUSE-HOLDER,1/4x1-1/4,PLSTC
	36800	JUMPER,INSULATED,GREY,280-402
6	36650	END-STOP,GREY,6mm,249-116
7	36607	END-PLATE,FRONT,4P,280-317
8	36606	END-PLATE,FRONT,2P,PLST,280-331
9	36507	TERMINAL-BLK,26-14GA,4P,PLST
10	36506	TERMINAL-BLK,26-12GA,2P,PLST,280-601
11	34905	TERMINAL,LUG,8-1/0AWG,8mm,COPPER
12	11010128	CONTROL-BOX,CONDUCTOR,W/HUB,TANDEM,M5
13	11010052	CONTROL-BOX,I/O-MODULE
14	06160232	GUARD,TRANSFORMER-TERMINAL,XFMR-04170018
15	06140799	BRACKET,KIT,WALL-MOUNTING,POWER-BOX,G5
16	04580019	CIRCUIT-BOARD,OUTPUT,5-RELAY,6A
17	04400028	POWER-DIST-BLOCK,3-POLE,175A,600V,11WIRE
18	04400025	PWR-DIST-BLOCK,COVER,1POS
19	04390029	TERMINAL,RING,.25,12-10AWG,NYL-INSUL
20	04170018	TRANSFORMER,208-240-480-575,500VA,48VCT
21	04090097	ENCLOSURE,760x760x300mm,STEEL,MOD,LWM5
22	04030007	OVERLOAD-RELAY,4.5-6.3A
23	04020001	CONTACTOR,9A,1(NO),24VAC

		PDQ MANUFACTURING, INC. De Pere, WI A DODGE COMPANY
TITLE: POWER CONTROL BOX, LWM5 COMMON PARTS		
DRAWING: 11010141	REV: 00	SHEET: 1 OF 8




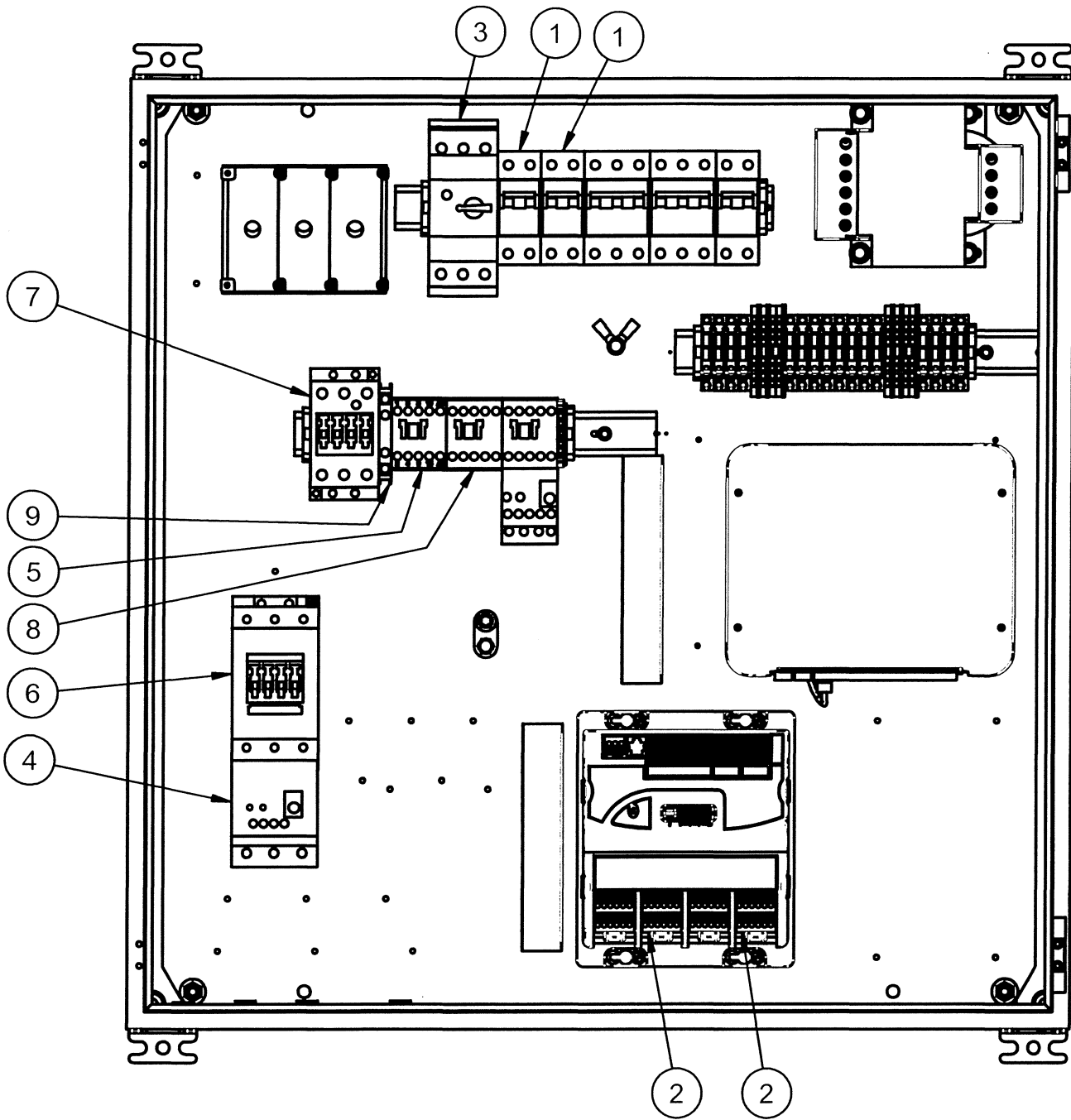
SEE SHEET #1

COMMON PARTS




DETAIL B

		PDQ MANUFACTURING, INC. De Pere, WI A DROVER COMPANY
TITLE: POWER CONTROL BOX, LW1115 COMMON PARTS		
DRAWING:	REV.	SHEET:
11010141	00	2 OF 8

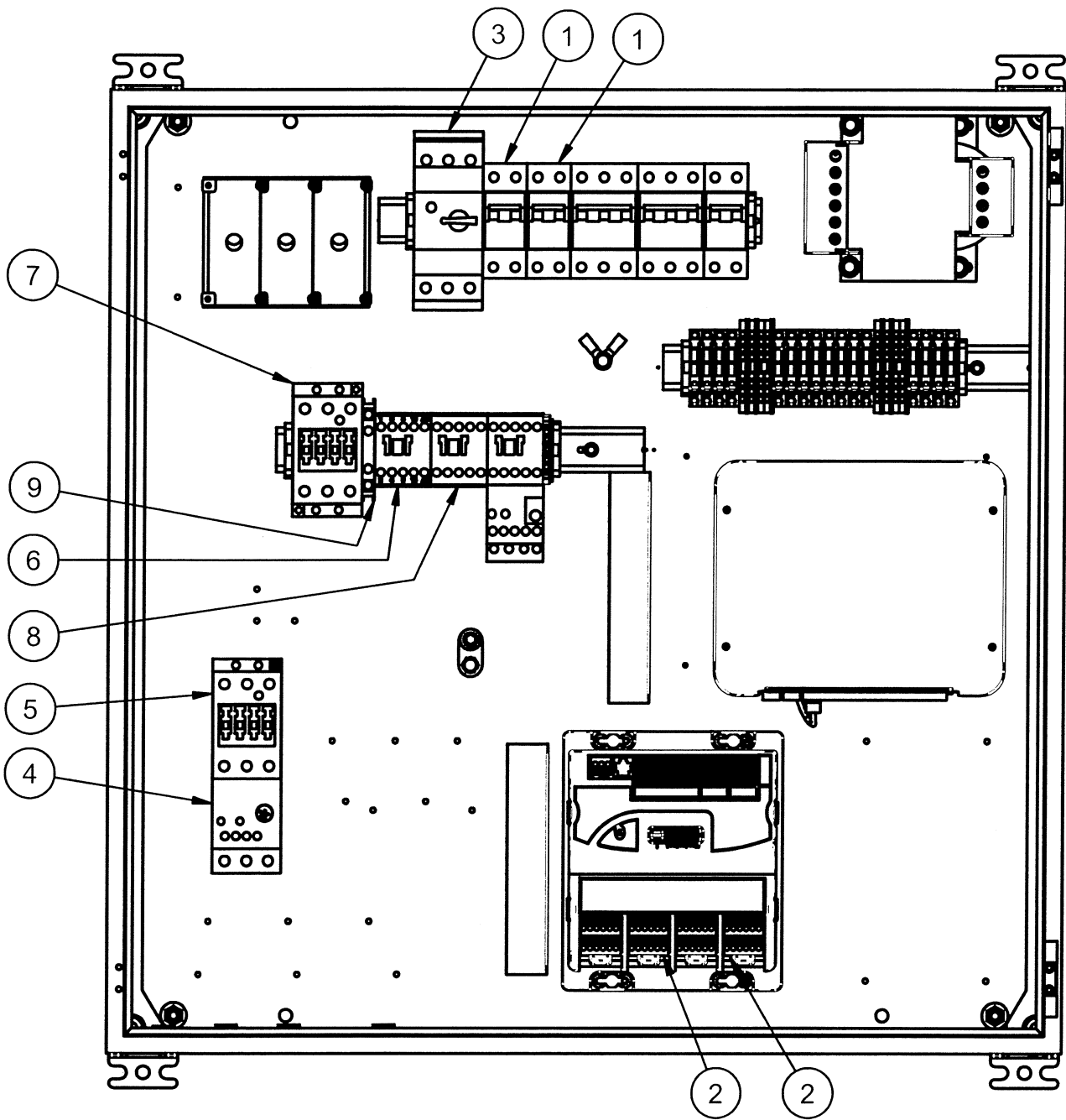


ITEM	PART #	DESCRIPTION
1	37675	CIRCUIT-BREAKER,2P,16A,D,460V
2	04580019	CIRCUIT-BOARD,OUTPUT,5-RELAY,6A
3	04110010	CIRCUIT-BREAKER,3P,22-32A,MSP,480V
4	04030017	OVERLOAD-RELAY,70.0-90.0A
5	04020008	CONTACTOR,12A,1(NO),24VAC
	04020007	CONTACTOR,80A,24VAC
7	04020003	CONTACTOR,32A,24VAC
8	04020001	CONTACTOR,9A,1(NO),24VAC
9	04010005	CONTACT-BLOCK,2,1(NO)1(NC)


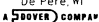

PDQ MANUFACTURING, INC.
 De Pere, WI
 A SOVER COMPANY

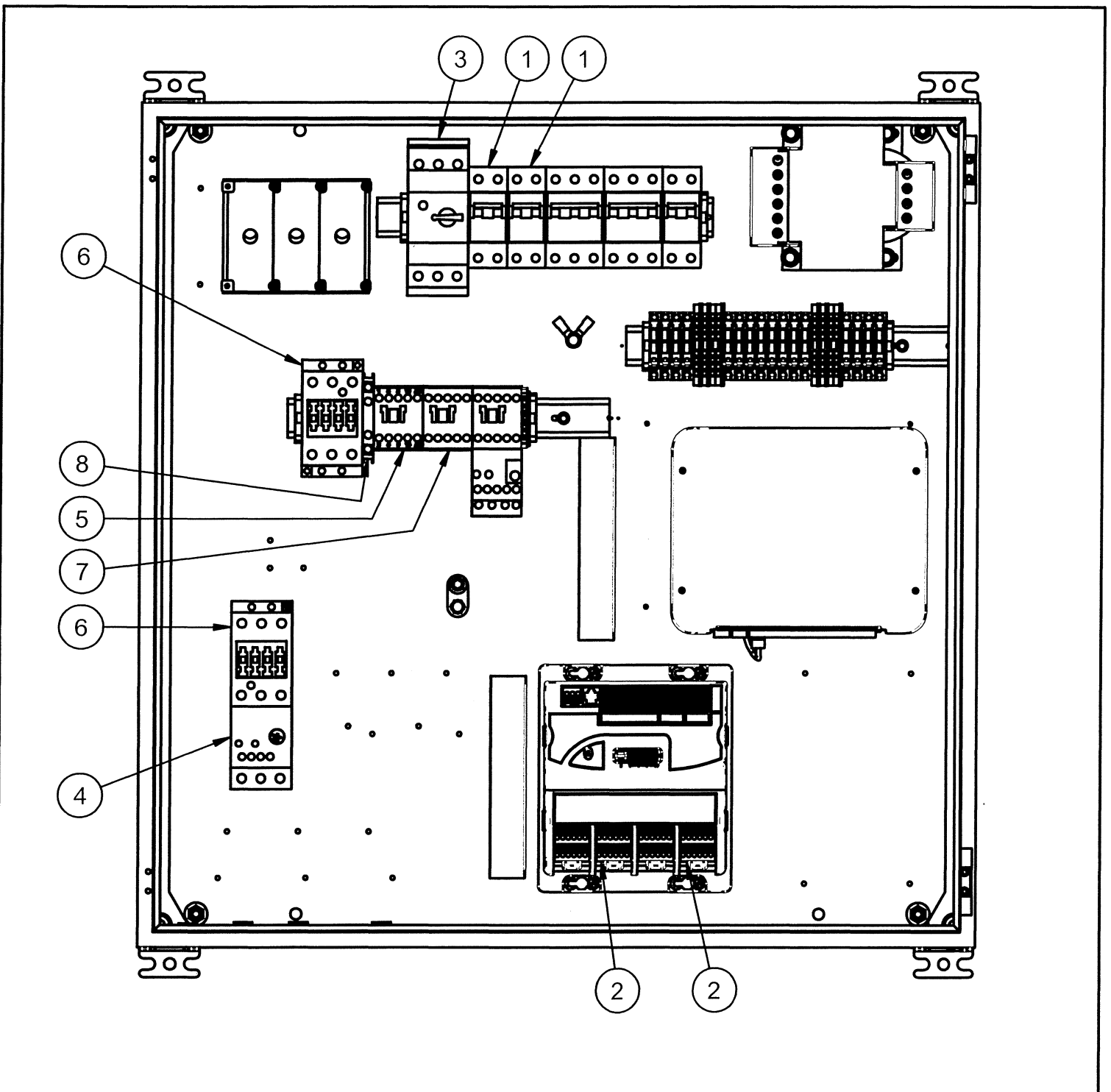
TITLE
 POWER CONTROL BOX, LWM5
 208/240V, 60HZ

DRAWING: 11010141	REV: 00	SHEET: 3 OF 8
-----------------------------	-------------------	-------------------------




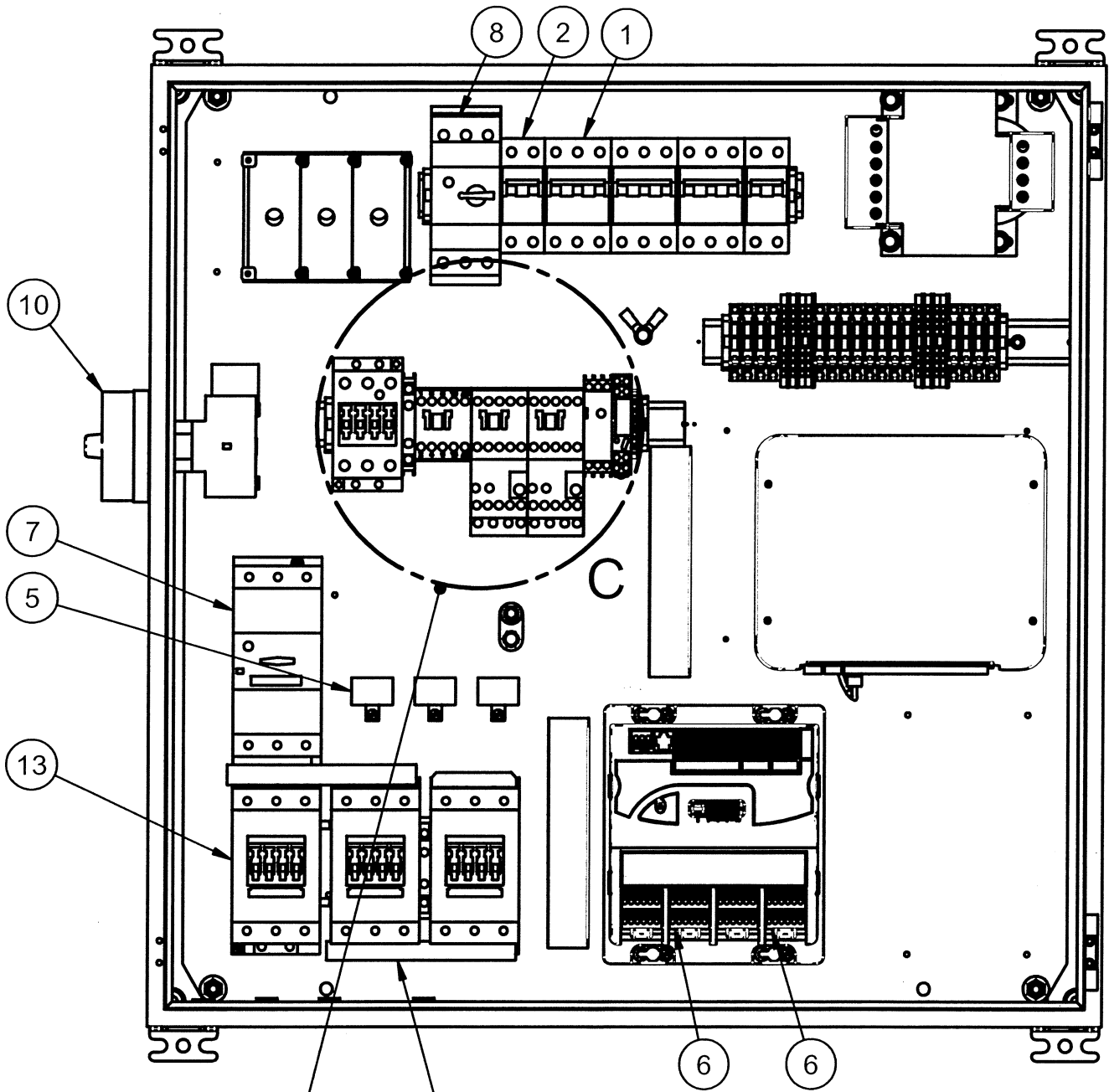
ITEM	PART #	DESCRIPTION
1	37675	CIRCUIT-BREAKER,2P,16A,D,460V
2	04580019	CIRCUIT-BOARD,OUTPUT,5-RELAY,6A
3	04110010	CIRCUIT-BREAKER,3P,22-32A,MSP,480V
4	04030014	OVERLOAD-RELAY,28.0-40.0A
5	04020021	CONTACTOR,40A,24VAC,200-575VAC,50/60hz
6	04020008	CONTACTOR,12A,1(NO),24VAC
7	04020003	CONTACTOR,32A,24VAC
8	04020001	CONTACTOR,9A,1(NO),24VAC
9	04010005	CONTACT-BLOCK,2,1(NO)1(NC)

		PDQ MANUFACTURING, INC. De Pere, WI A  COMPANY
TITLE: POWER CONTROL BOX, LWIM5 480V, 60HZ		
DRAWING:	REV:	SHEET:
11010141	00	4 OF 8



ITEM	PART #	DESCRIPTION
1	37675	CIRCUIT-BREAKER,2P,16A,D,460V
2	04580019	CIRCUIT-BOARD,OUTPUT,5-RELAY,6A
3	04110010	CIRCUIT-BREAKER,3P,22-32A,MSP,480V
4	04030013	OVERLOAD-RELAY,22.0-32.0A
	04020008	CONTACTOR,12A,1(NO),24VAC
6	04020003	CONTACTOR,32A,24VAC
7	04020001	CONTACTOR,9A,1(NO),24VAC
8	04010005	CONTACT-BLOCK,2,1(NO)1(NC)


		PDQ MANUFACTURING, INC. De Pere, WI A SEDGER COMPANY
TITLE: POWER CONTROL BOX, LWM5 575V, 60HZ		
DRAWING: 11010141	REV: 00	SHEET: 5 OF 8

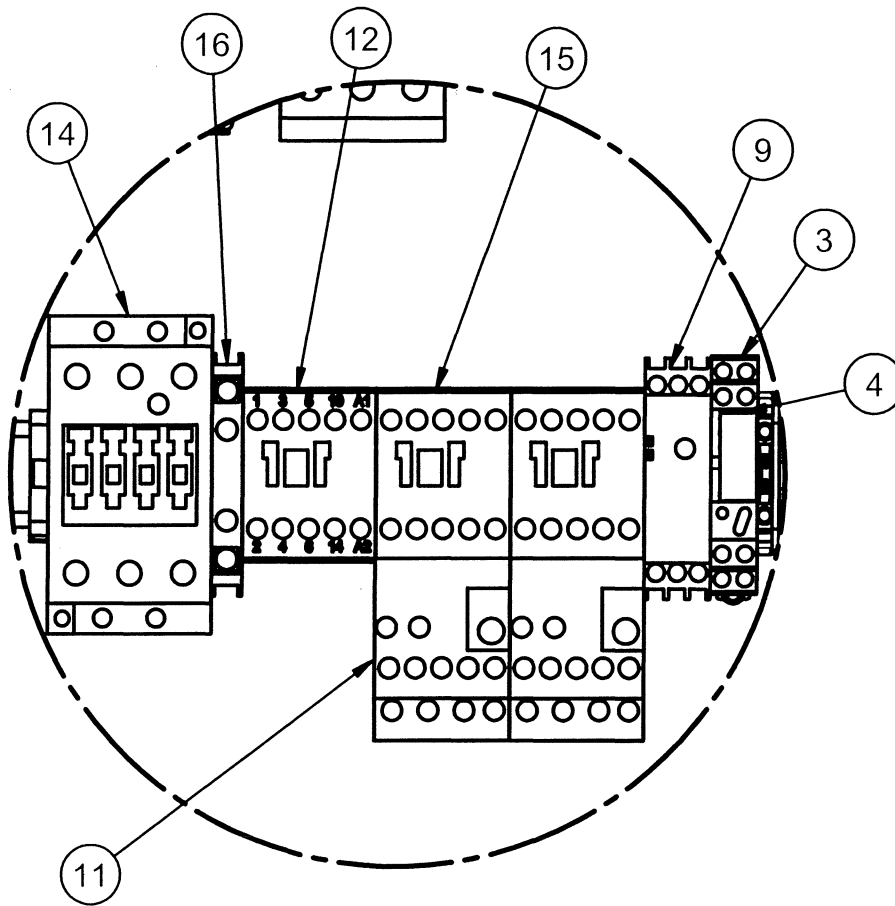


SEE SHEET #7

SEE SHEET #8


SEE SHEET #7 FOR PARTS LIST

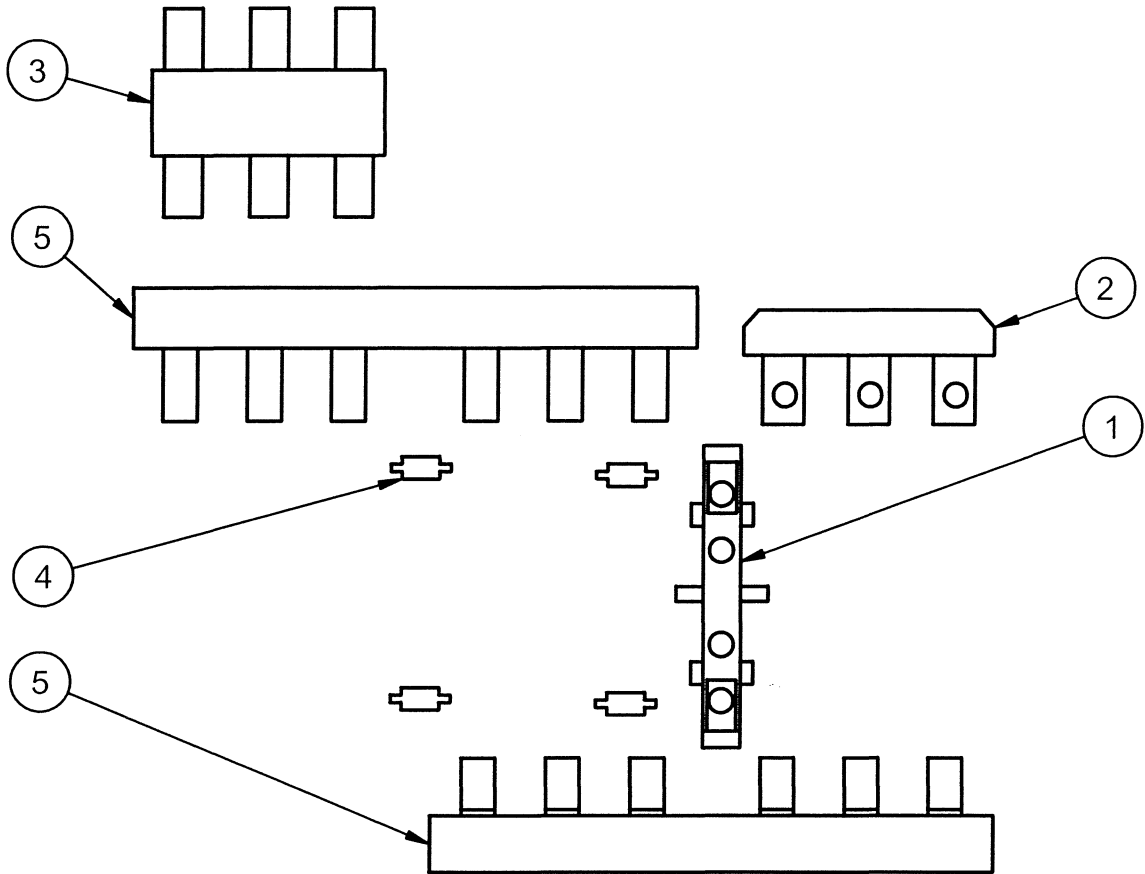
		PDQ MANUFACTURING, INC. De Pere, WI A DROVER COMPANY
TITLE: POWER CONTROL BOX, LW M5 220V, 50HZ		
DRAWING: 11010141	REV: 00	SHEET: 6 OF 8



DETAIL C


ITEM	PART #	DESCRIPTION
1	37694	CIRCUIT-BREAKER,3P,16A,D,460V
2	37675	CIRCUIT-BREAKER,2P,16A,D,460V
3	32106	RELAY,SOCKET,8 BLADE
4	32018	RELAY,SPDT,24VAC,10A,5 BLADE
5	31600	VOLTAGE SUPPRESSOR 120VAC NOM 220 OHMS
6	04580019	CIRCUIT-BOARD,OUTPUT,5-RELAY,6A
7	04470003	STARTER,MTR,MANUAL,200-575VAC,3PH,57-75A
8	04110010	CIRCUIT-BREAKER,3P,22-32A,MSP,480V
9	04070001	TIMER,ON-DELAY,1N01NC,24VAC,1.5-30S
10	04040026	SWITCH, DISCONNECT, 80A, 6POLE
11	04030008	OVERLOAD-RELAY,5.5-8.0A
12	04020008	CONTACTOR,12A,1(NO),24VAC
13	04020006	CONTACTOR,65A,24VAC,200-575VAC,50/60HZ
14	04020003	CONTACTOR,32A,24VAC
15	04020001	CONTACTOR,9A,1(NO),24VAC
16	04010005	CONTACT-BLOCK,2,1(NO)1(NC)

		PDQ MANUFACTURING, INC. De Pere, WI A TROVEX COMPANY
TITLE: POWER CONTROL BOX, LWM5 220V, 50HZ		
DRAWING:	REV:	SHEET:
11010141	00	7 OF 8




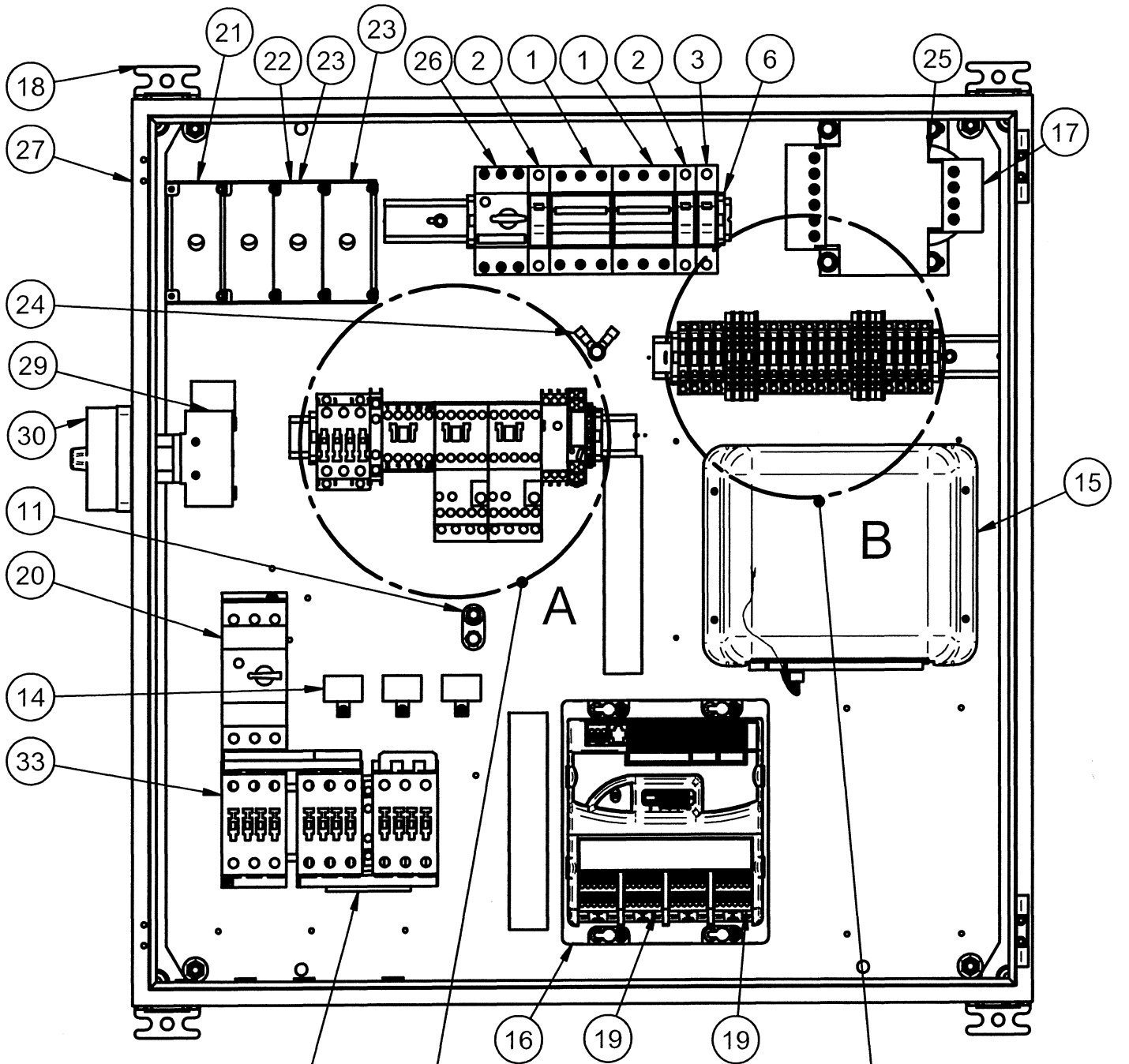
PARTS KIT 051

ITEM	PART #	DESCRIPTION
1	04490001	INTERLOCK,MECHANICAL,SIDE-MOUNTABLE
2	04390024	TERMINAL,CONTACTOR,PAR-LINK,SIEMENS,3RT
3	04390023	TERMINAL,MSP-CONTACTOR
4	04330004	FITTING,MECHANICAL-LINK,NON-CONDUCTIVE
5	04310003	ELEC-KIT,CONTACTOR-JOINING&JUMPERING

		PDQ MANUFACTURING, INC. De Pere, WI A DOVER COMPANY
TITLE POWER CONTROL BOX, LW1M5 220V, 50HZ		
DRAWING:	11010141	REV: 00
		SHEET: 8 OF 8

ITEM	PART #	DESCRIPTION
1	37686	CIRCUIT-BREAKER,3P,4A,D,460V
2	37646	CIRCUIT-BREAKER,1P,16A,D,277V
3	37628	CIRCUIT BREAKER 3 AMP 1P 277VAC "D"
4	36904	FUSE-HOLDER,1/4x1-1/4,PLSTC
5	36800	JUMPER,INSULATED,GREY,280-402
6	36650	END-STOP,GREY,6mm,249-116
7	36607	END-PLATE,FRONT,4P,280-317
8	36606	END-PLATE,FRONT,2P,PLST,280-331
9	36507	TERMINAL-BLK,26-14GA,4P,PLST
10	36506	TERMINAL-BLK,26-12GA,2P,PLST,280-601
11	34905	TERMINAL,LUG,8-1/0AWG,8mm,COPPER
12	32106	RELAY,SOCKET,8 BLADE
13	32018	RELAY,SPDT,24VAC,10A,5 BLADE
14	31600	VOLTAGE SUPPRESSOR 120VAC NOM 220 OHMS
15	11010128	CONTROL-BOX,CONDUCTOR,W/HUB,TANDEM,M5
16	11010052	CONTROL-BOX,I/O-MODULE
17	06160232	GUARD,TRANSFORMER-TERMINAL,XFMR-04170018
18	06140799	BRACKET,KIT,WALL-MOUNTING,POWER-BOX,G5
19	04580019	CIRCUIT-BOARD,OUTPUT,5-RELAY,6A
20	04470002	STARTER,MTR,MANUAL,200-575VAC,3PH,28-40A
21	04400029	POWER-DIST-BLOCK,ADDER,175A,600V,11WIRE
22	04400028	POWER-DIST-BLOCK,3-POLE,175A,600V,11WIRE
23	04400025	PWR-DIST-BLOCK,COVER,1POS
24	04390029	TERMINAL,RING,.25,12-10AWG,NYL-INSUL
25	04170018	TRANSFORMER,208-240-480-575,500VA,48VCT
26	04110011	CIRCUIT-BREAKER,3P,14-20A,MSP,600V
27	04090097	ENCLOSURE,760x760x300mm,STEEL,MOD,LWM5
28	04070001	TIMER,ON-DELAY,1N01NC,24VAC,1.5-30S
29	04040027	SWITCH, DISCONNECT, 80A, 1POLE
30	04040026	SWITCH, DISCONNECT, 80A, 6POLE
31	04030006	OVERLOAD-RELAY,2.8-4.0A
32	04030005	OVERLOAD-RELAY,2.2-3.2A
33	04020013	CONTACTOR,28A,24VAC,200-575VAC,50/60HZ
34	04020008	CONTACTOR,12A,1(NO),24VAC
35	04020002	CONTACTOR,25A,24VAC,200-575VAC,50/60HZ
36	04020001	CONTACTOR,9A,1(NO),24VAC
37	04010005	CONTACT-BLOCK,2,1(NO)1(NC)


		PDQ MANUFACTURING, INC. De Pere, WI A SEDGER COMPANY
TITLE: POWER CONTROL BOX, LWM5 380V, 50HZ		
DRAWING: 11010146	REV.: 00	SHEET: 1 OF 4

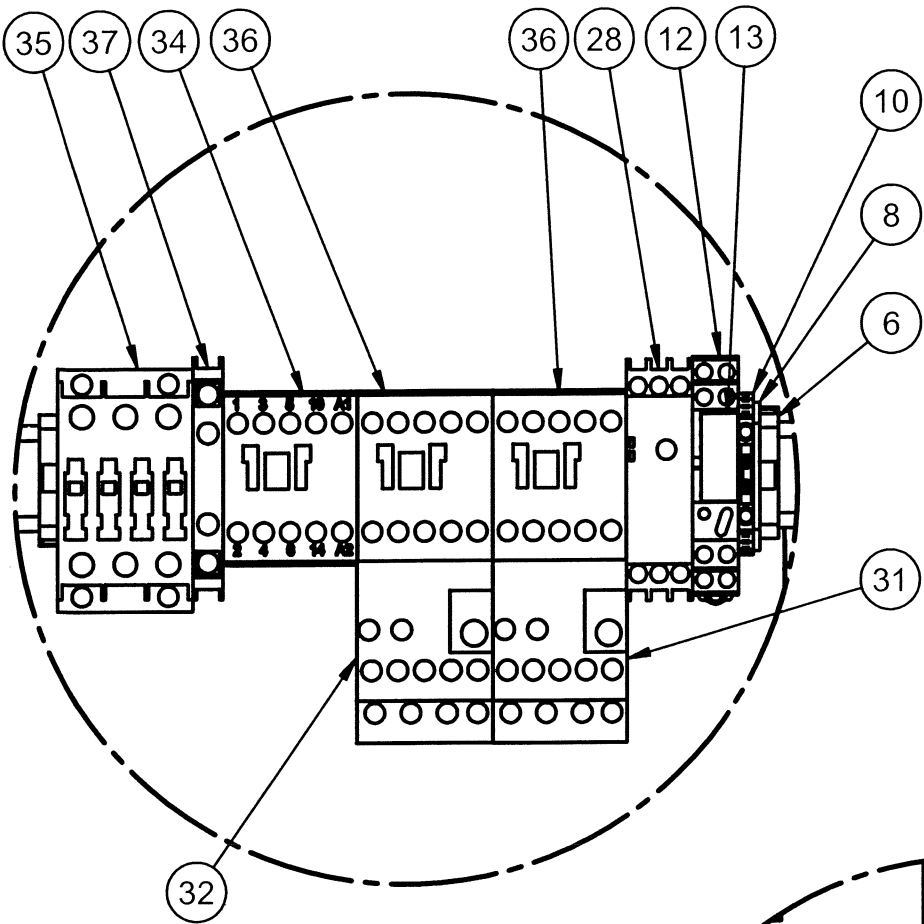


SEE SHEET #4

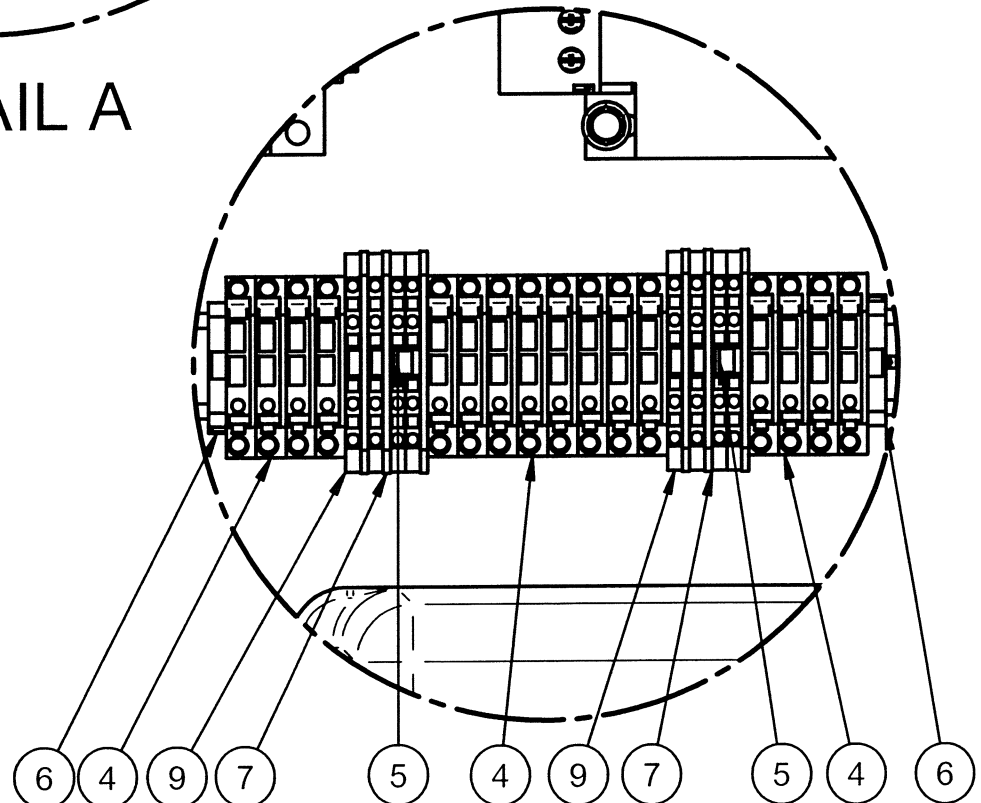
SEE SHEET #3

SEE SHEET #3


		PDQ MANUFACTURING, INC. De Pere, WI A DOVER COMP.
TITLE: POWER CONTROL BOX, LWM5 380V, 50HZ		
DRAWING: 11010146	REV: 00	SHEET: 2 OF 4

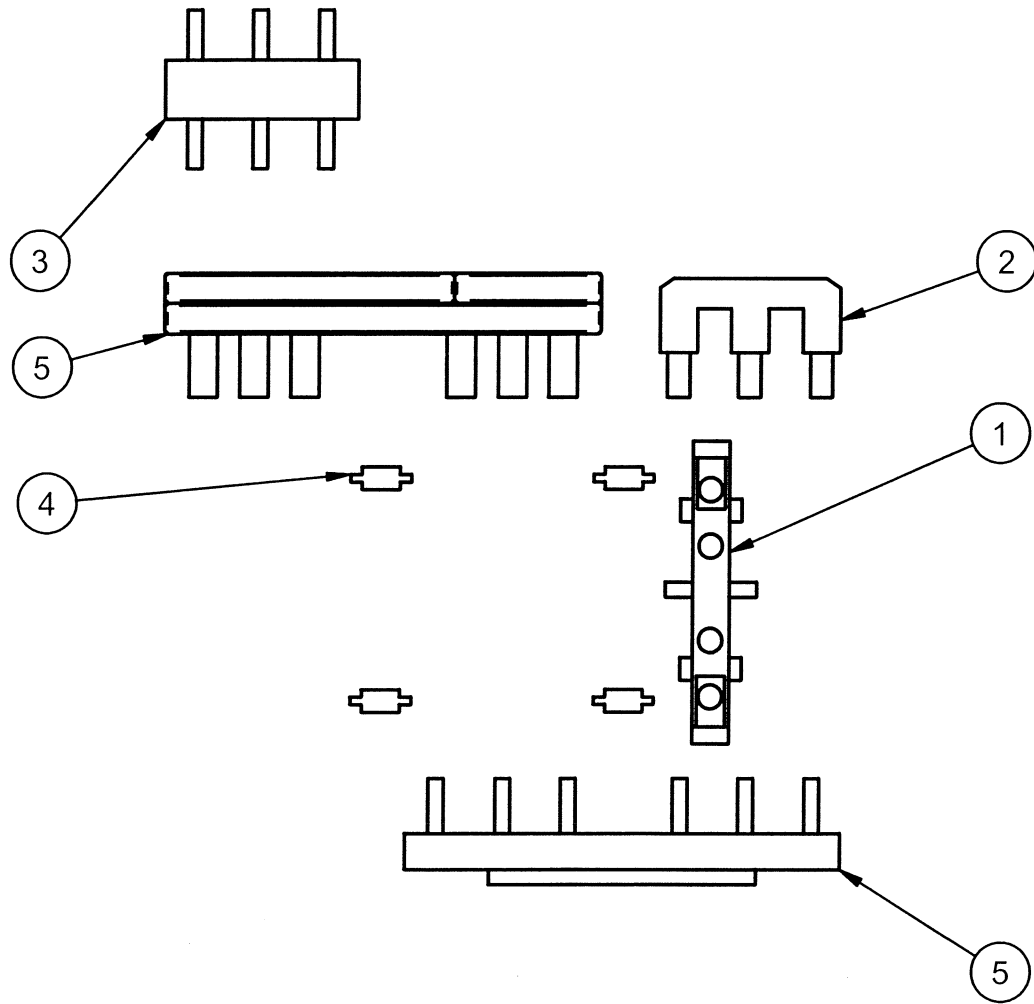


DETAIL A




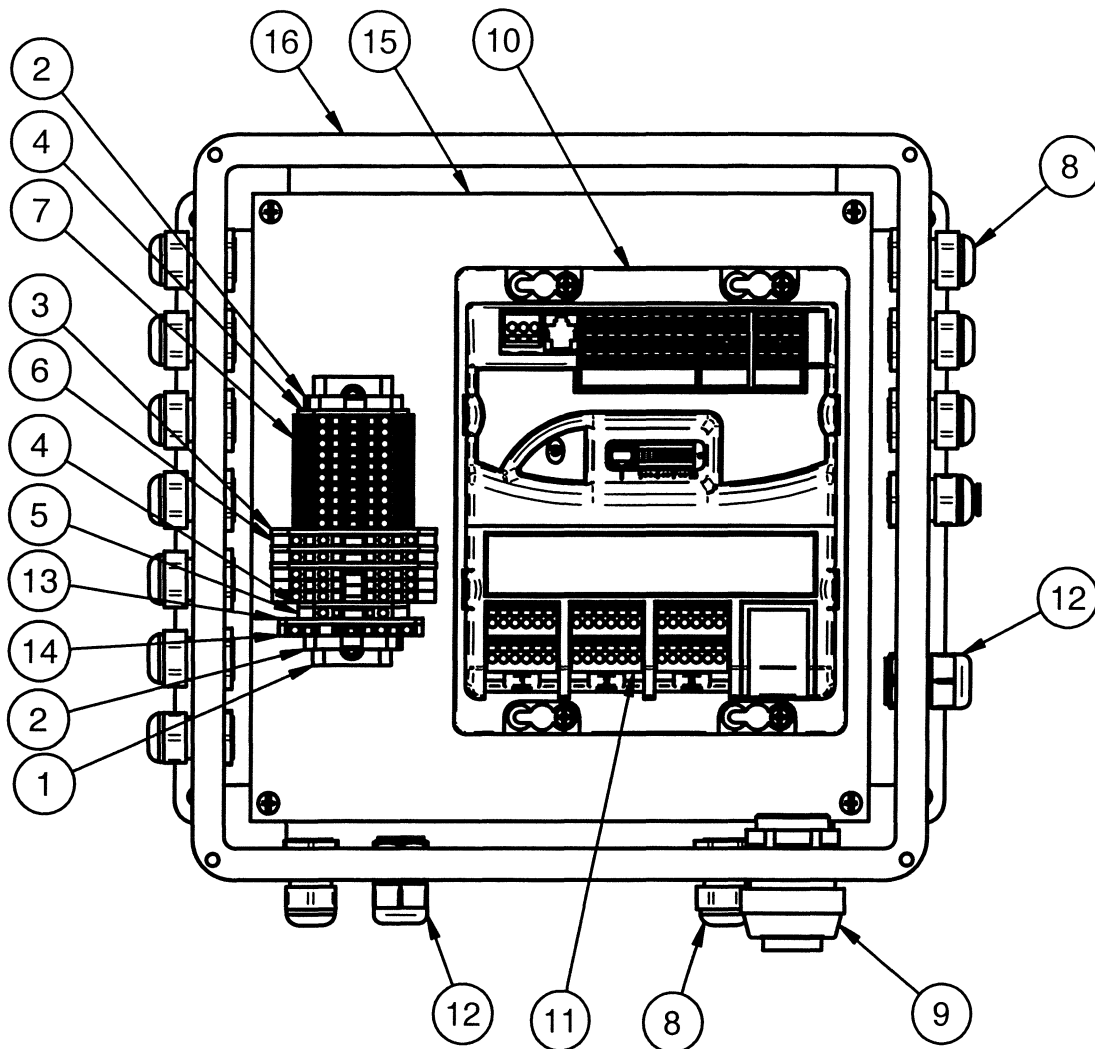
DETAIL B

		PDQ MANUFACTURING, INC. De Pere, WI A GROVER COMPANY
TITLE: POWER CONTROL BOX, LWM5 380V, 50HZ		
DRAWING: 11010146	REV: 00	SHEET: 3 OF 4




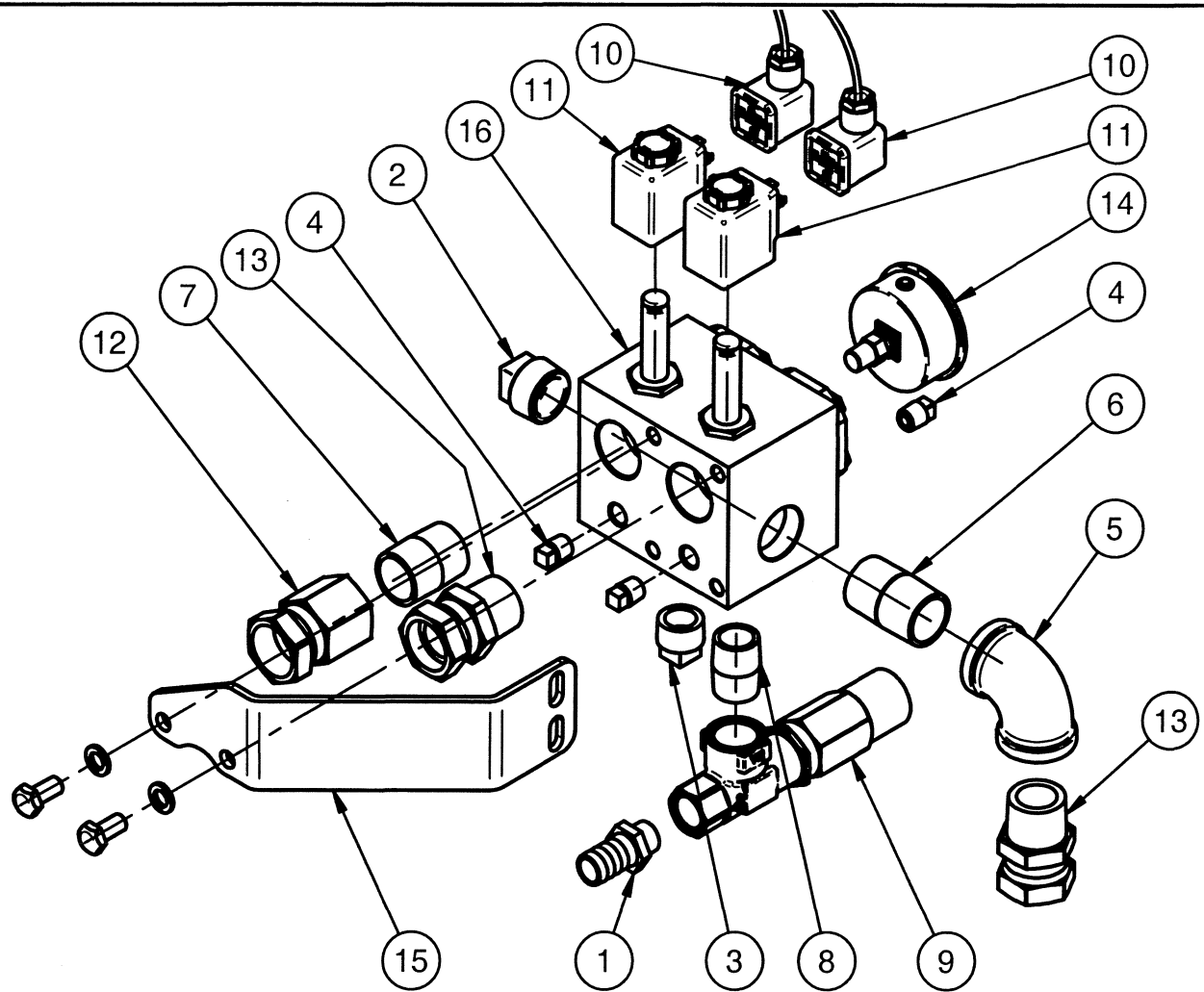
ITEM	PART #	DESCRIPTION
1	04490001	INTERLOCK,MECHANICAL,SIDE-MOUNTABLE
2	04390022	TERMINAL,CONTACTOR,PAR-LINK,SIEMENS,3RT
3	04390021	TERMINAL,MSP-CONTACTOR,LINK-MOD-AC
4	04330004	FITTING,MECHANICAL-LINK,NON-CONDUCTIVE
5	04310001	ELEC-KIT,CONTACTOR-JOINING&JUMPERING

		PDQ MANUFACTURING, INC. De Pere, WI A ROVER COMPANY
TITLE: POWER CONTROL BOX, LWM5 380V, 50HZ		
DRAWING: 11010146	REV: 00	SHEET: 4 OF 4


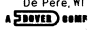


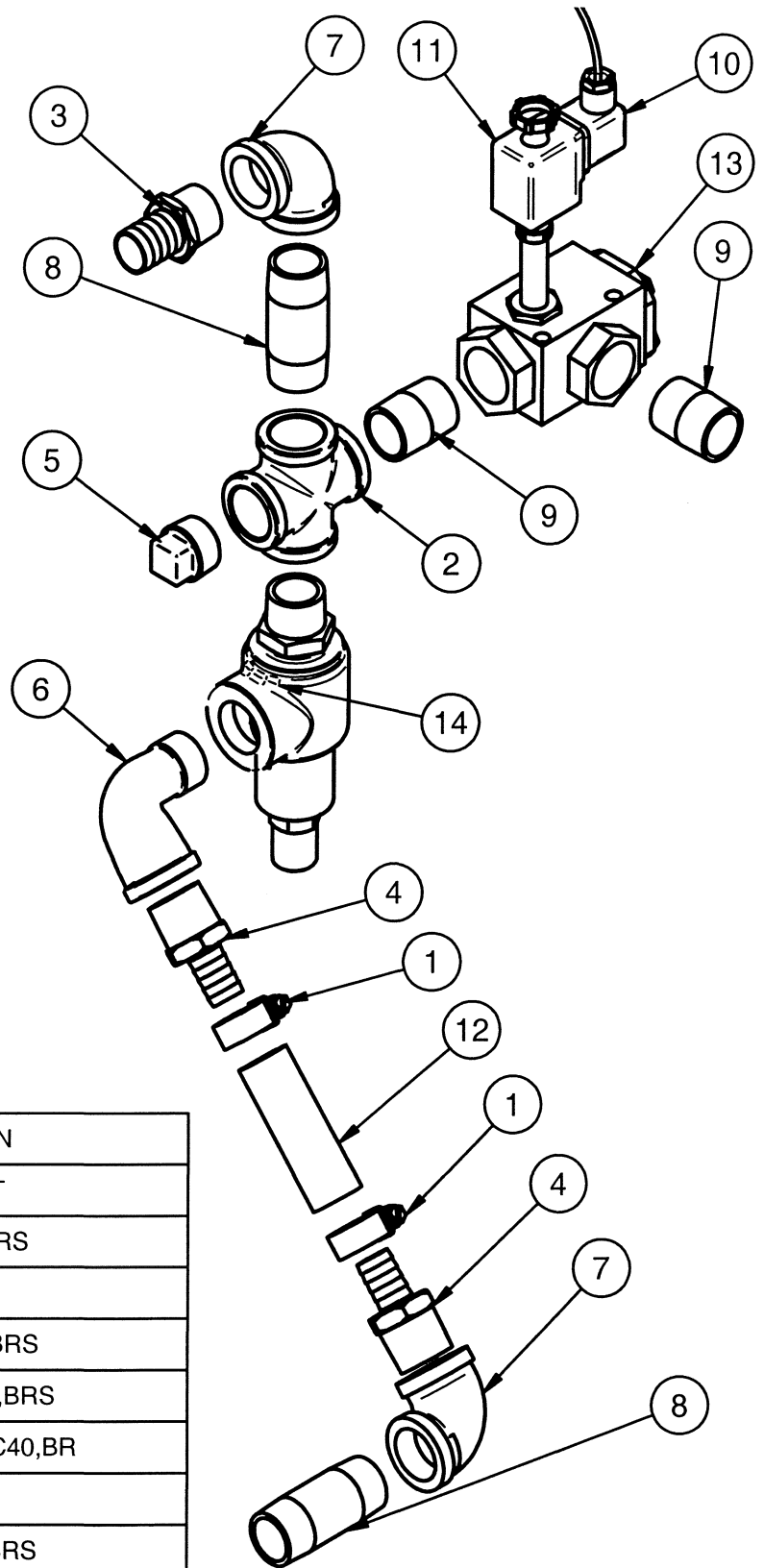
ITEM	PART #	DESCRIPTION
1	36950-5.00	DIN-RAIL,35mmx5.00",AL
2	36650	END-STOP,GREY,6mm,249-116
3	36607	END-PLATE,FRONT,4P,280-317
4	36606	END-PLATE,FRONT,2P,PLST,280-331
5	36517	TERMINAL BLK GND 2P FR 26-14 GA 280-607
6	36507	TERMINAL-BLK,26-14GA,4P,PLST
7	36506	TERMINAL-BLK,26-12GA,2P,PLST,280-601
8	36401	STRAIN-RELIEF,PG11,.157-.394",PLSTC
9	36083	CONDUIT,ADAPTOR,1.00-FLEXx1MPT,STR,PLSTC
10	11010052	CONTROL-BOX,I/O-MODULE
11	04580019	CIRCUIT-BOARD,OUTPUT,5-RELAY,6A
12	04450016	STRAIN-RELIEF,M20,.315-.512",PLSTC
3	04100028	TERMINAL-END-BARRIER,WAGO,280-SER,3P,ORN
14	04100026	TERMINAL-BLOCK,3P,28-12AWG,GRAY,WAGO
15	04090107	ENCLOSURE-PANEL-W/HOLES,12x12",PUMP,M5
16	04090104	ENCLOSURE-W/HOLES,12x12",PUMP-NODE,M5

		PDQ MANUFACTURING, INC. De Pere, WI a SORBYER COMPANY	
TITLE: CONTROL BOX PUMP NODE, LWM5			
DRAWING: 11010152		REV: 00	SHEET: 1 OF 1



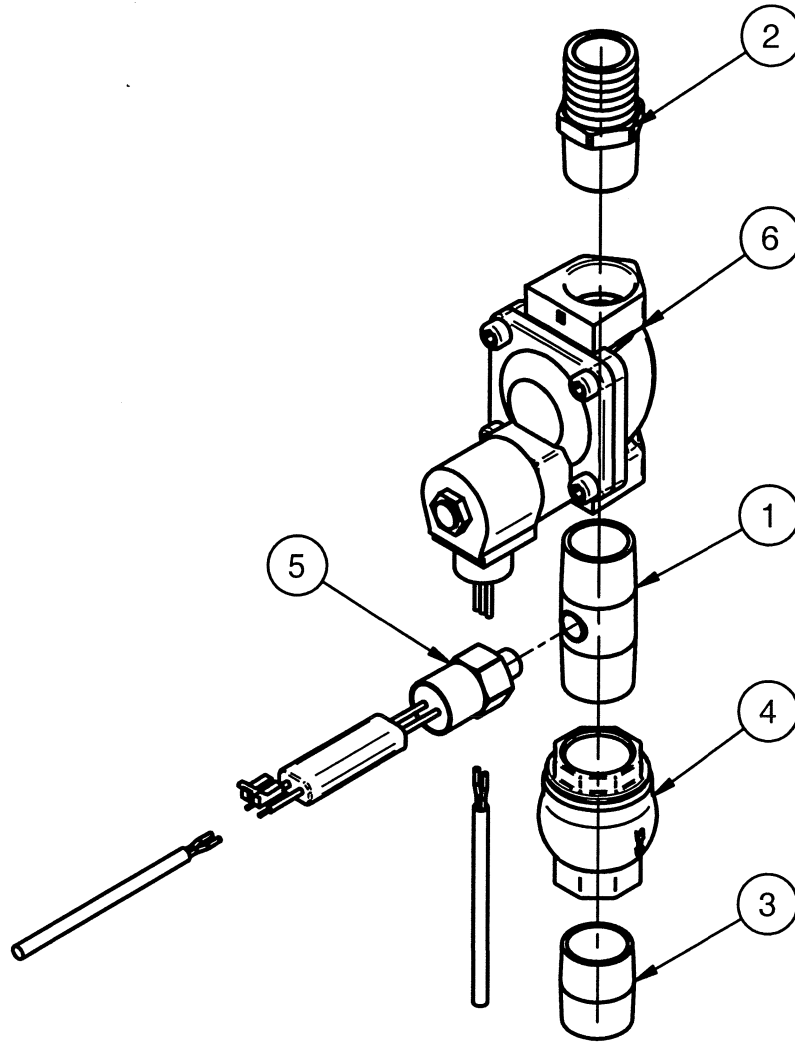
ITEM	PART #	DESCRIPTION
1	68122-MHB	HOSE-BARB,3/4HX1/2MNPT,BR
2	67605-B	PLUG,PIPE,SQ-HD,1"MNPT,BRS
3	67604-B	PLUG PIPE SQ HD 3/4 BR
4	67603-B	PLUG,PIPE,1/4"NPT,SQ-HD,BRS
5	67410-4S	ELBOW,1NPT,90DEG,SC40,SST
6	67015-B4S	NIPPLE,1MPTx2.00",SC40,SST
7	67015-4S	NIPPLE,1MPTxCLOSE,SC40,SST
8	67014-8S	NIPPLE,3/4MPTxCLOSE,SC80,SST
9	63188	VALVE,BAL-RLF,3/4FPT,53.5GPM,2560PSI,BR
10	63042	PLUG,DIN,18MM,PLST
11	63040	COIL,SOL,24VAC,60HZ,9W,DANFOSS
12	44575-N	ADAPTER,1.00-COMP-SWVLx1.00FPT,STL,NI-PL
13	44562-N	HYD FTG ADPT FEMSWVL 1X1 MALE STL NI PLT
14	25111	GAUGE,PRES,0-2000PSI,1/4MPT,CBM,LIQ,2.5"
15	06140446	BRACKET,MOUNTING,HP-VALVE,M5
16	03010116	VALVE,BLOCK,ARCH-UNDERBODY,HP,SST

		PDQ MANUFACTURING, INC. De Pere, WI A  COMP	
TITLE: HP CHANGE-OVER WATER VALVE, LWM5 - 60HZ			
DRAWING:		REV:	SHEET:
11030076		00	1 OF 1


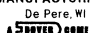


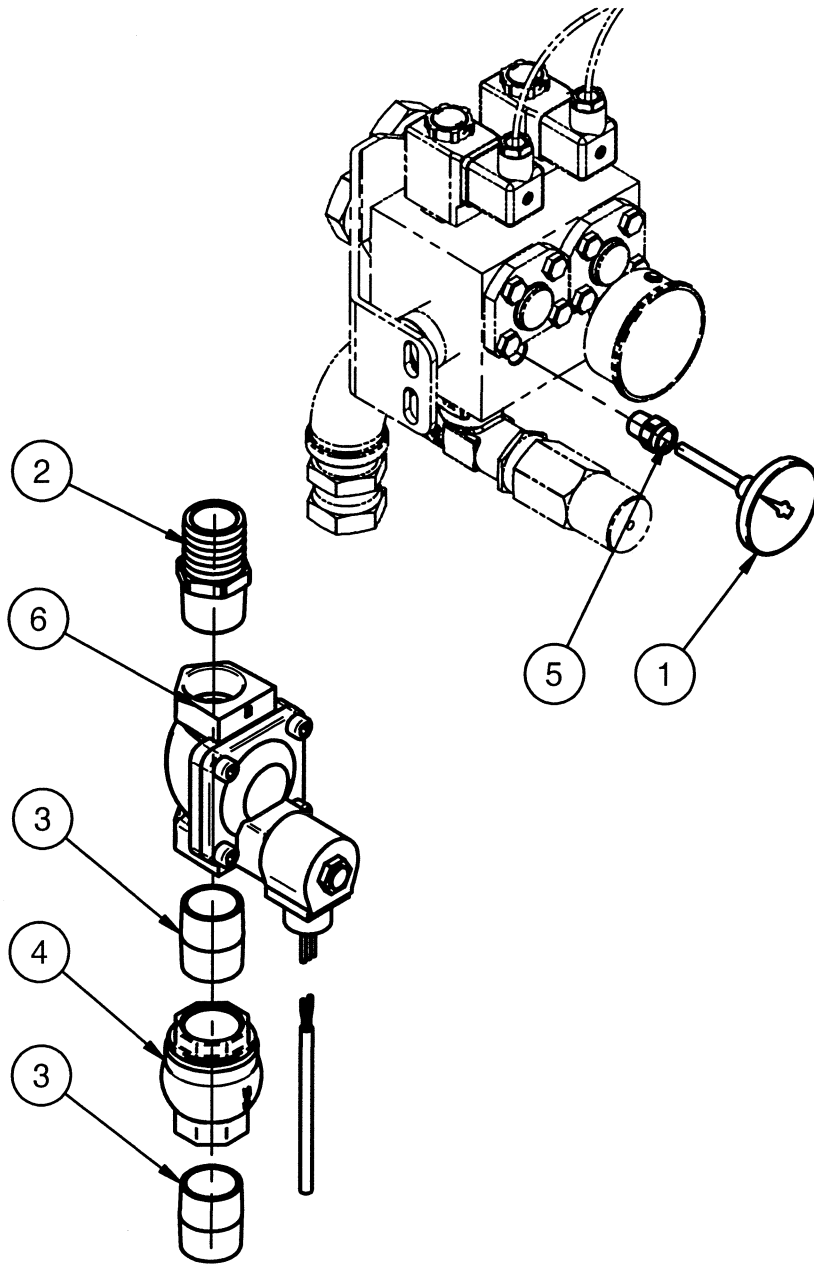
ITEM	PART #	DESCRIPTION
1	75103	CLAMP,HOSE,#12,.75H,SST
2	68430-4B	CROSS,PIPE,1NPT,SC40,BRS
3	68129-MHB	HOSE-BARB,1Hx1MNPT,BR
4	68124-MHB	HOSE-BARB,3/4Hx1MNPT,BRS
5	67605-B	PLUG,PIPE,SQ-HD,1"MNPT,BRS
6	67495-4B	ELBOW,STREET,90DE,1,SC40,BR
7	67410-4B	ELBOW,PIPE,90,1,SC40,BR
8	67015-D4B	NIPPLE,1MPTx3.00",SC40,BRS
9	67015-4S	NIPPLE,1MPTxCLOSE,SC40,SST
10	63042	PLUG,DIN,18MM,PLST
11	63040	COIL,SOL,24VAC,60HZ,9W,DANFOSS
12	03340024	HOSE,.75x9.50,300-PSI,EPDM,RED
13	03010119	VALVE,PRODUCTIVITY-RINSE,M5
14	03010039	VALVE,RELIEF,1.00,BRS,110PSI-SET

	PDQ MANUFACTURING, INC. De Pere, WI A DANFOSSE COMPANY	
	TITLE: PRODUCTIVITY RINSE 60HZ LWM5	
DRAWING: 11030078	REV: 00	SHEET: 1 OF 1




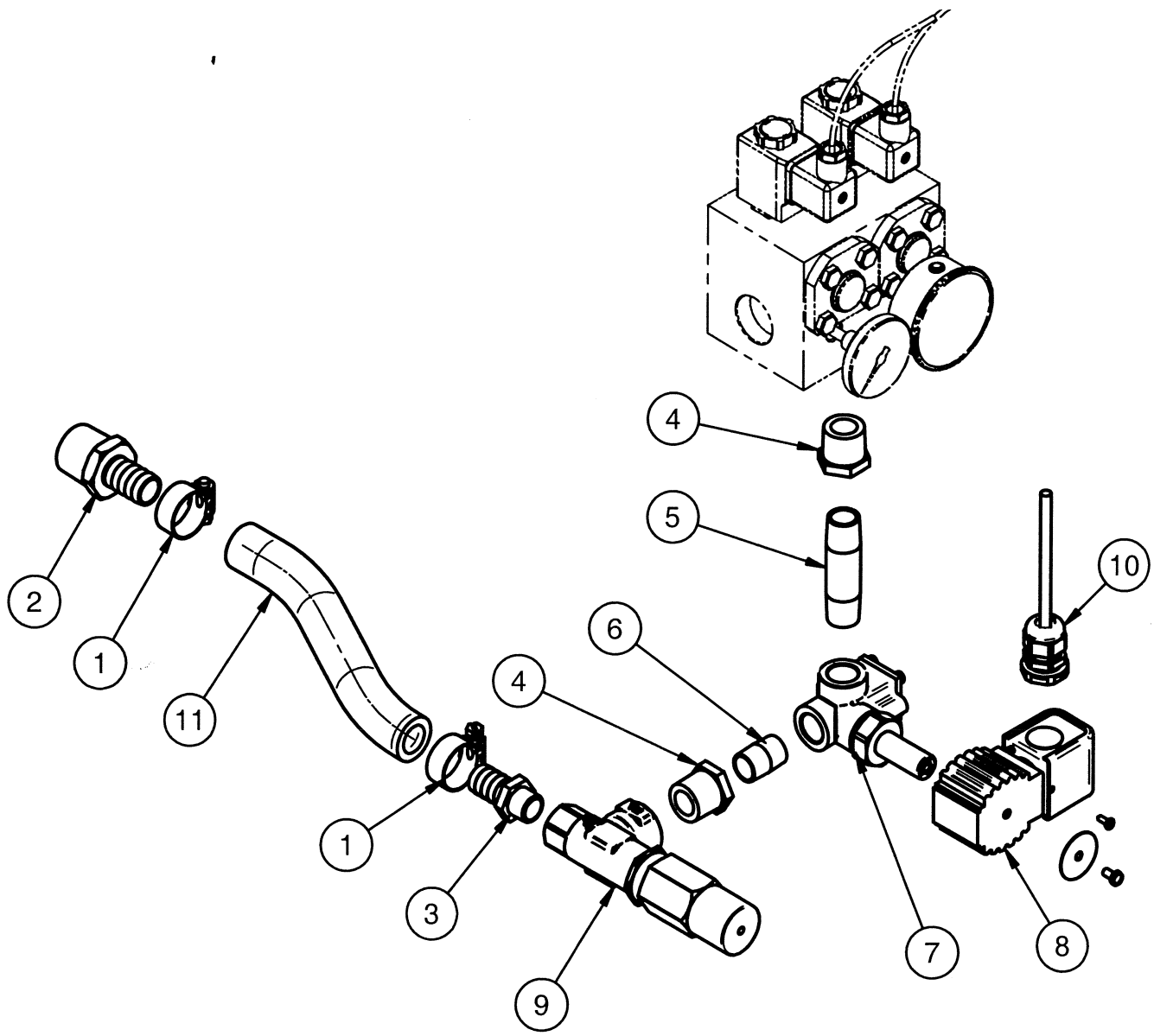
ITEM	PART #	DESCRIPTION
1	M550044	MANIFOLD,ARCH-WEEP-INLET,SLIMLINE,SST
2	68134-MHB	HOSE-BARB,1-1/4Hx1MNPT,BR
3	67015-4B	NIPPLE,1MPTxCLOSE,SC40,BR
4	63144	VALVE,CHECK,1"FNPT,150PSI,BRS
5	31038	SWITCH,PRESSURE,4PSI,1/4MNPT
6	03010021	VALVE,2WAY,NC,1NPT,24VAC,NORYL

		PDQ MANUFACTURING, INC. De Pere, WI A  COMPANY	
TITLE:		RECLAIM INJECT LWM5	
DRAWING:	11030079	REV:	00
		SHEET:	1 OF 1





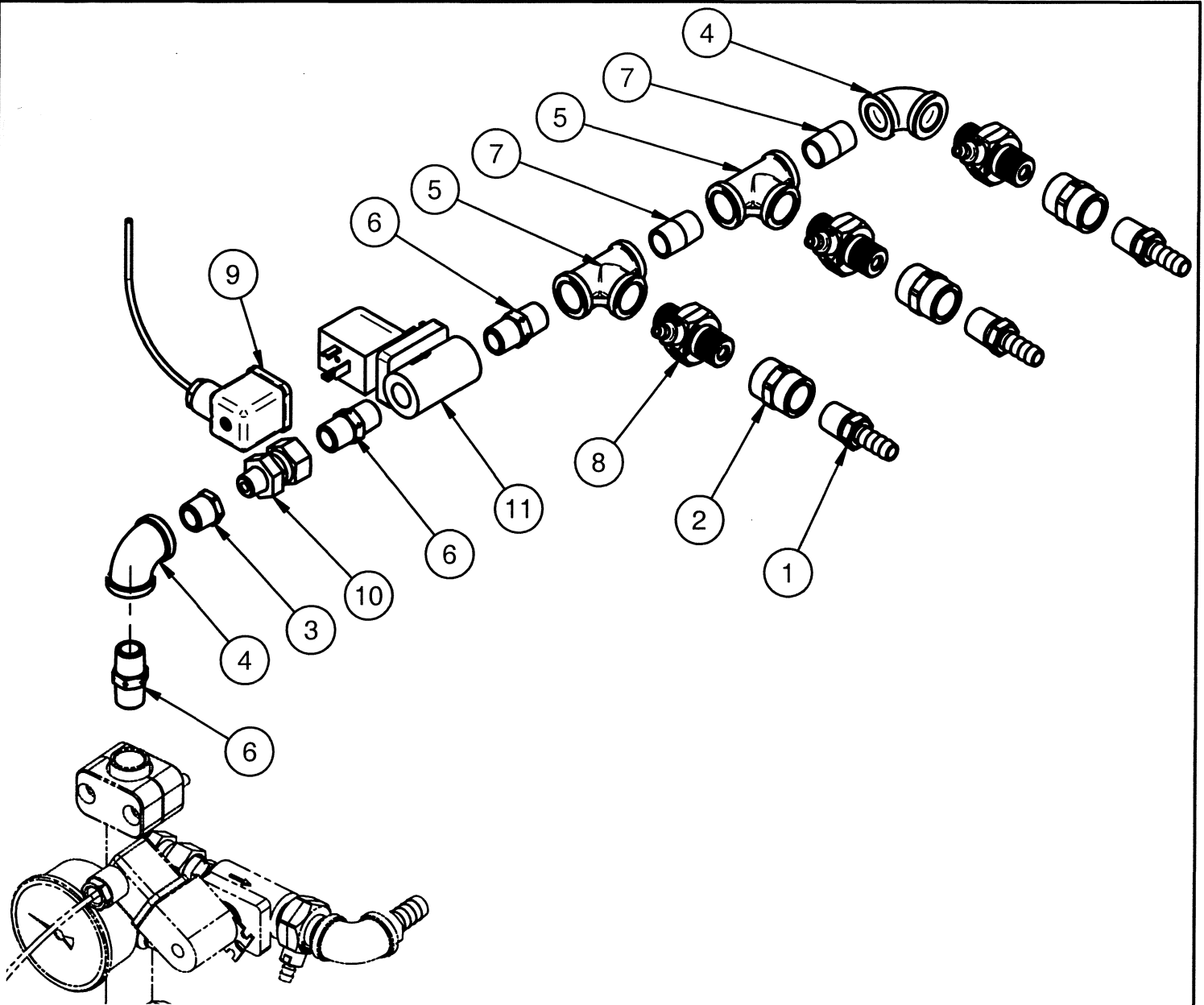
ITEM	PART #	DESCRIPTION
1	69545	GAUGE,TEMP,0-200DEG-F,1/4MNPT,SST
2	68134-MHB	HOSE-BARB,1-1/4Hx1MNPT,BR
3	67015-4B	NIPPLE,1MPTxCLOSE,SC40,BR
4	63144	VALVE,CHECK,1"FNPT,150PSI,BRS
5	03140035	ADAPTER,CONN,1/4MNPTx1/4FNPT,SST
6	03010021	VALVE,2WAY,NC,1NPT,24VAC,NORYL

		PDQ MANUFACTURING, INC. De Pere, WI A SIBBER COMPANY	
TITLE: HOT WATER INJECT LWM5			
DRAWING: 11030080		REV: 00	SHEET: 1 OF 1





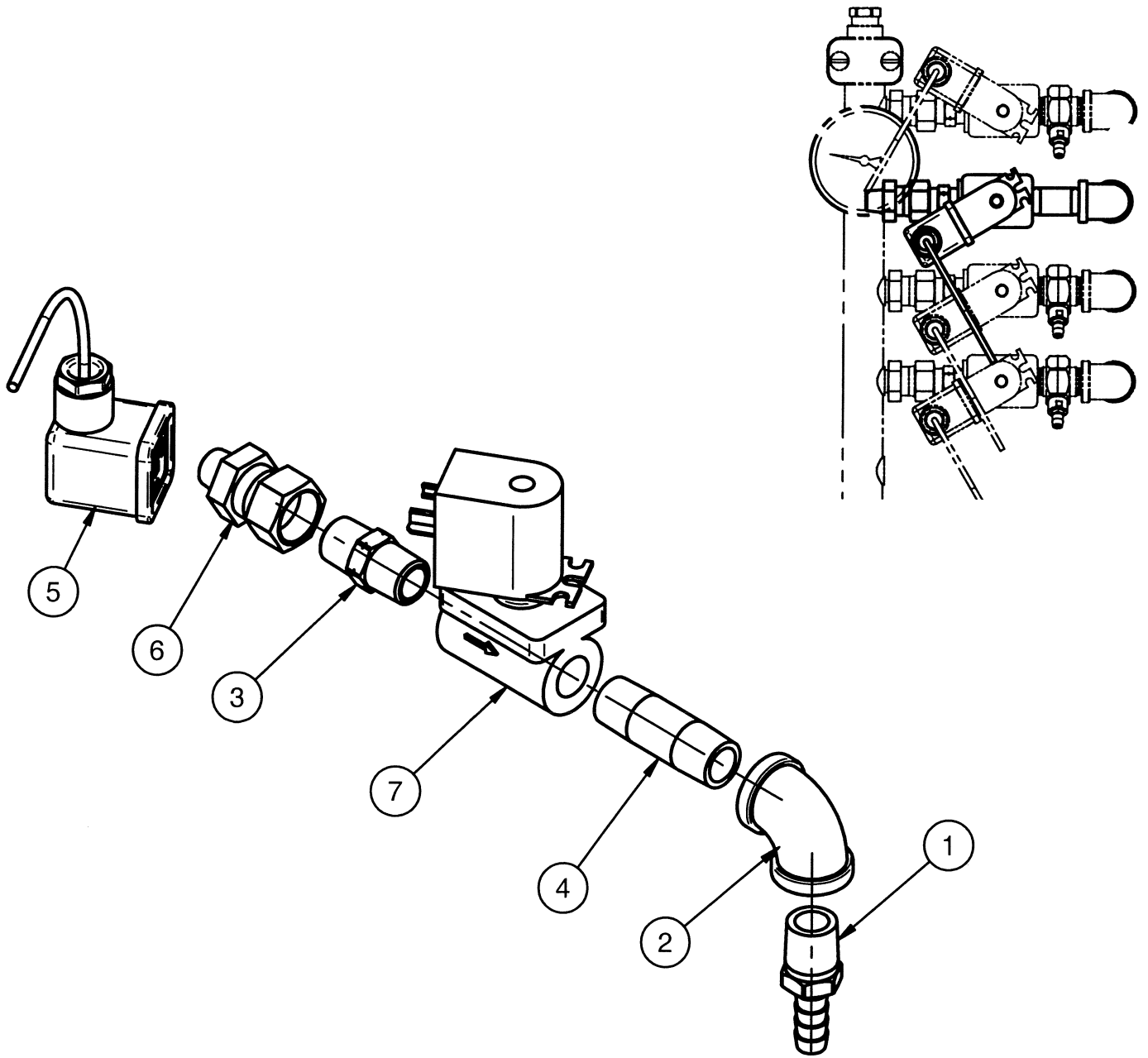
ITEM	PART #	DESCRIPTION
1	75103	CLAMP,HOSE,#12,.75H,SST
2	68124-MHB	HOSE-BARB,3/4HX1MNPT,BRS
3	68122-MHB	HOSE-BARB,3/4HX1/2MNPT,BR
4	67709-S	BUSHING,PIPE,.75X.50NPT,SST
5	67013-D4S	NIPPLE,.50NPTX3.00,SC40,SST
6	67013-4S	NIPPLE,1/2NPTXCLOSE,SC40,SST
7	63307	VALVE,2WAY-NC,1/2FPT,1200PSI,24VAC,BRS
8	63300	COIL 24V JUNC BOX
9	63188	VALVE,BAL-RLF,3/4FPT,53.5GPM,2560PSI,BR
10	36402	STRAIN-RELIEF,.236-.472",POLY,W/LOCKNUT
11	03340024	HOSE,.75X9.50,300-PSI,EPDM,RED

		PDQ MANUFACTURING, INC. De Pere, WI 	
TITLE: WATER SAVER VALVE LWM5			
DRAWING: 11030081		REV: 00	SHEET: 1 OF 1





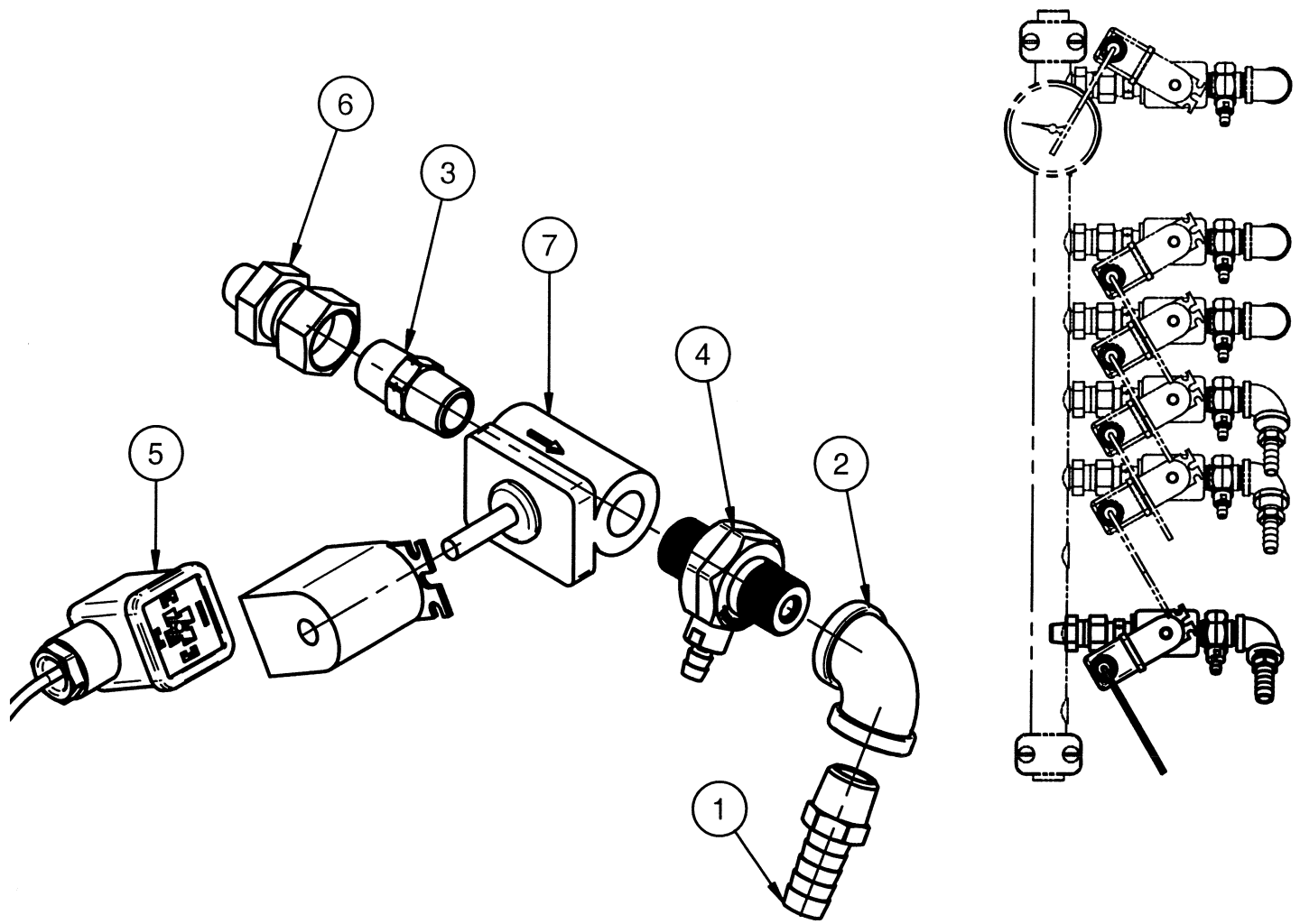
ITEM	PART #	DESCRIPTION
1	68112-MHB	HOSE-BARB,3/8HX3/8MPT,BRS
2	67794-4B	COUPLING,FULL,3/8NPT,BRS
3	67702-B	BUSHING,3/8NPTx1/4NPT,BRS
4	67404-4B	ELBOW,3/8NPT,90DEG,SC40,BRS
5	67110-4B	TEE,PIPE,.38NPT,SC40,BR
6	67055-4B	NIPPLE,HEX,3/8NPT,BRS
7	67012-4B	NIPPLE,3/8NPTxCLOSE,SC40,BRS
8	63480	INJECTOR,.057,3/8MPTx3/8MPT,SST
9	63042	PLUG,DIN,18MM,PLST
10	44553-S	ADAPTER,.38F-SWIVELx.25MPT,SST
11	03010121	VALVE,.38,SST,NC,150PSI,24VAC,DIN

		PDQ MANUFACTURING, INC. De Pere, WI A  COMPANY	
TITLE: 3X-SOLUTION,LWM5			
DRAWING: 11030082		REV: 01	SHEET: 1 OF 1




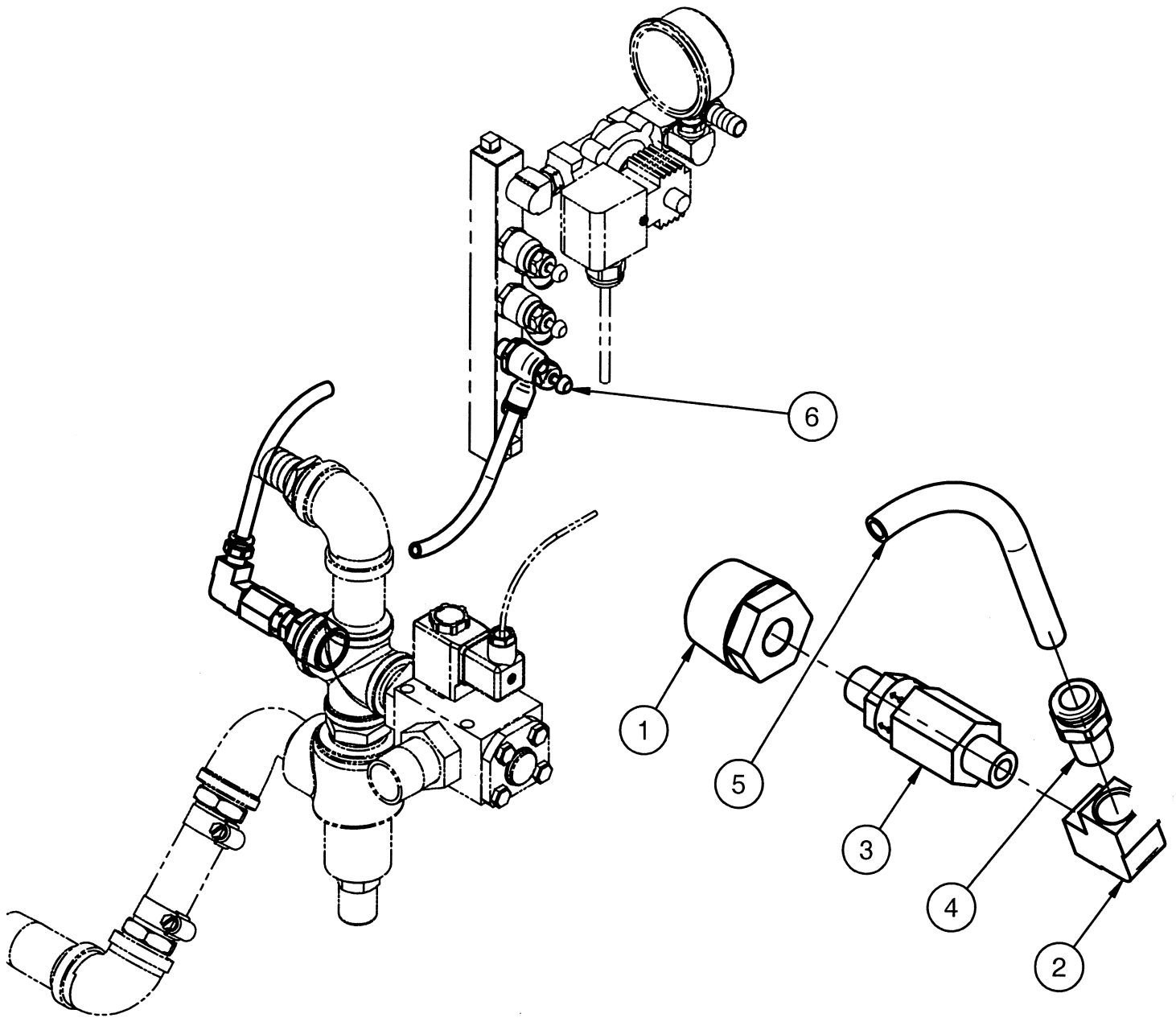
ITEM	PART #	DESCRIPTION
1	68112-MHB	HOSE-BARB,3/8Hx3/8MPT,BRS
2	67404-4B	ELBOW,3/8NPT,90DEG,SC40,BRS
3	67055-4B	NIPPLE,HEX,3/8NPT,BRS
4	67012-B4B	NIPPLE, .38NPTx2.00,BRS
5	63042	PLUG,DIN,18MM,PLST
6	44553-S	ADAPTER,.38F-SWIVELx.25MPT,SST
7	03010121	VALVE,.38,SST,NC,150PSI,24VAC,DIN

		PDQ MANUFACTURING, INC. De Pere, WI a  COMPANY
TITLE: 3X-BYPASS VALVE LWM5		
DRAWING: 11030083	REV: 00	SHEET: 1 OF 1


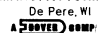


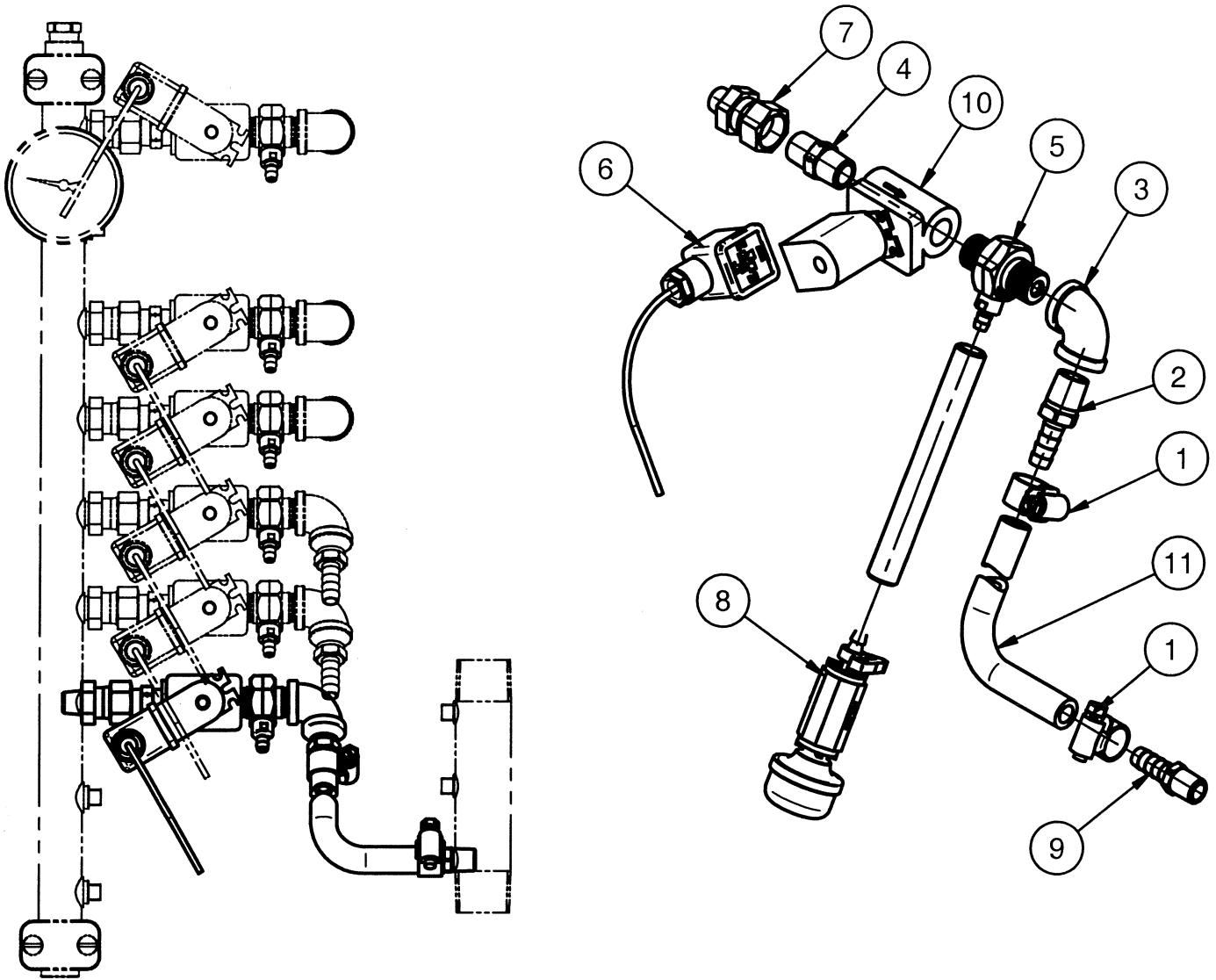
ITEM	PART #	DESCRIPTION
1	68116-MHN	HOSE-BARB,1/2Hx3/8MNPT,NYL
2	67404-4S	ELBOW,3/8NPT,90DEG,SC40,SST
3	67055-4B	NIPPLE,HEX,3/8NPT,BRS
4	63488	INJECTOR,.098,3/8MPTx3/8MPT,SST
5	63042	PLUG,DIN,18MM,PLST
6	44553-S	ADAPTER,.38F-SWIVELx.25MPT,SST
7	03010121	VALVE,.38,SST,NC,150PSI,24VAC,DIN

		PDQ MANUFACTURING, INC. De Pere, WI A DODGE COMPANY
TITLE: RUST-INHIBITOR VALVE LWM5		
DRAWING: 11030084	REV: 00	SHEET: 1 OF 1




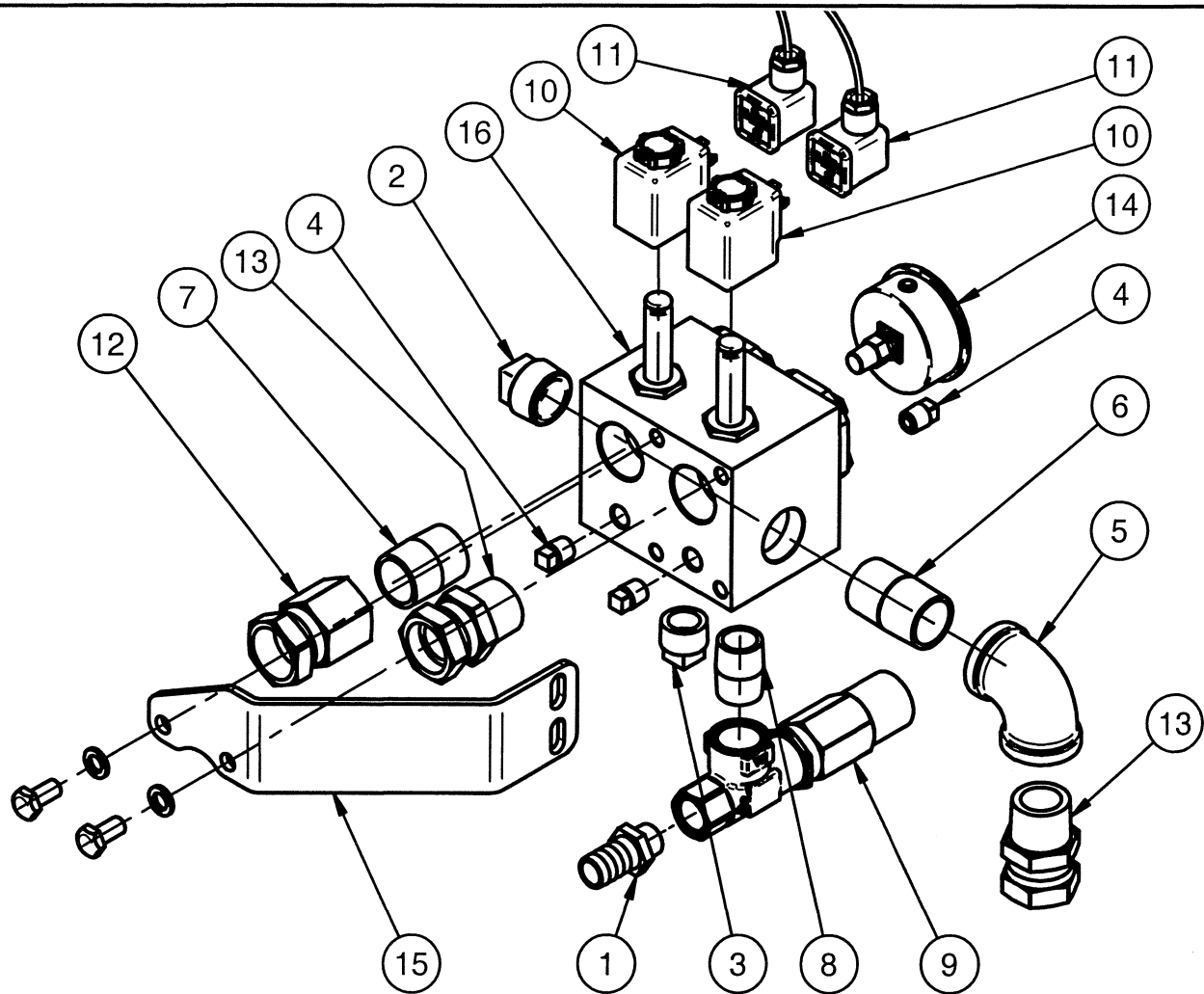
ITEM	PART #	DESCRIPTION
1	67711-B	BUSHING,PIPE,1x1/4,BR
2	67402-4B	ELBOW,1/4NPT,90DEG,SC40,BRS
3	63173	VALVE,CHECK,1/4,MALE,3000PSI,BR
4	24036-PB	TUBE-FTG,CONN,3/8Tx1/4NPT,PUSH,BRS
5	23975-NE	TUBING, .38x.06W,NAT-PE
6	03010040	VALVE,FLOW-CTRL,1/4MPTx.38T,PLSTC

		PDQ MANUFACTURING, INC. De Pere, WI A  COMP.
TITLE: PRODUCTIVITY RINSE WEEP LWM5		
DRAWING: 11030087	REV: 00	SHEET: 1 OF 1




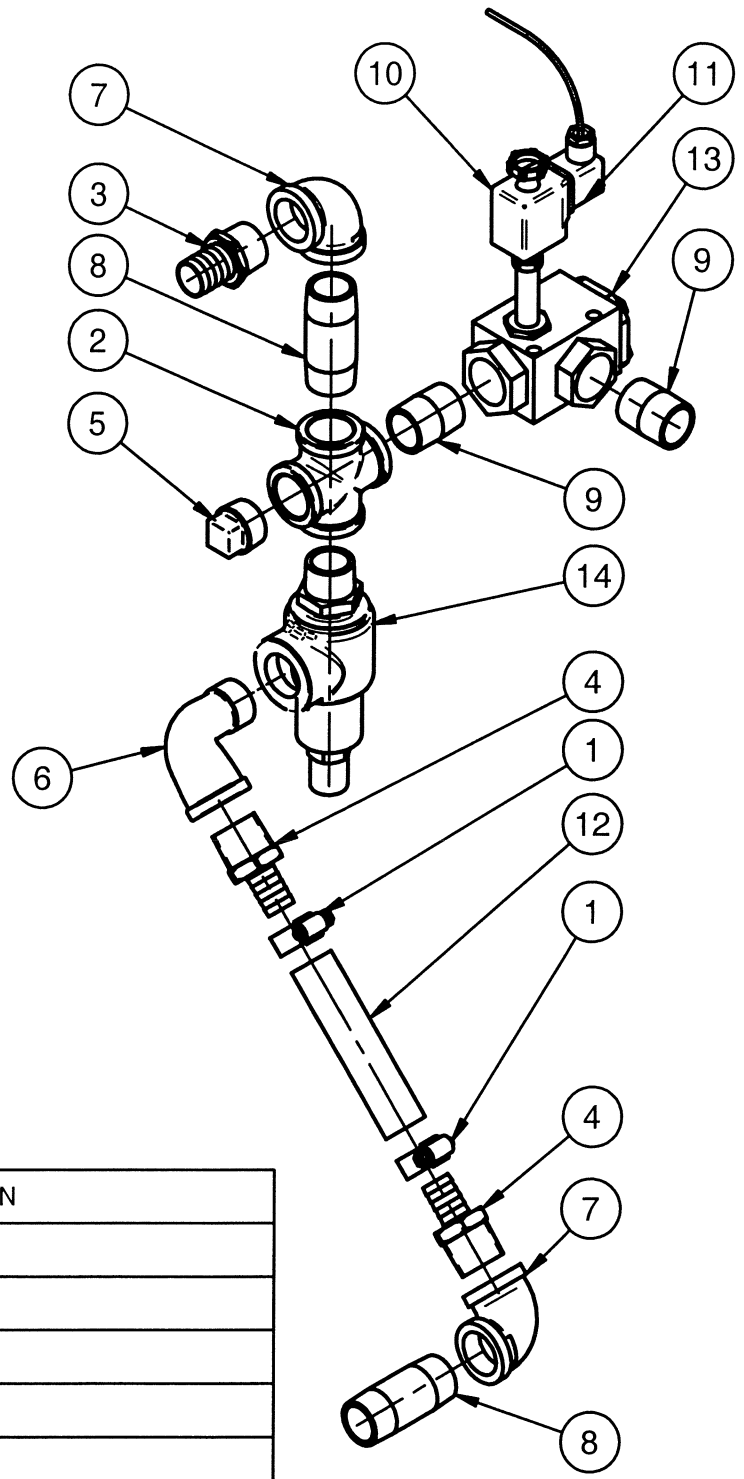
ITEM	PART #	DESCRIPTION
1	75101	CLAMP,HOSE,#6,.38-.50H,SST
2	68112-MHB	HOSE-BARB,3/8HX3/8MPT,BRS
3	67404-4B	ELBOW,3/8NPT,90DEG,SC40,BRS
4	67055-4B	NIPPLE,HEX,3/8NPT,BRS
5	63480	INJECTOR,.057,3/8MPTx3/8MPT,SST
6	63042	PLUG,DIN,18MM,PLST
7	44553-S	ADAPTER,.38F-SWIVELx.25MPT,SST
3	11350022	KIT,FOOT-VALVE,1/4",CLEAR-VINYL-TUBING
9	03310003	HOSE-BARB,3/8HX1/4MNPT,BRS
10	03010121	VALVE,.38,SST,NC,150PSI,24VAC,DIN
11	03340089	HOSE,76"LONG,.375DIA,200PSI,EPDM,BLACK

		PDQ MANUFACTURING, INC. De Pere, WI A SUDVED COMPANY
TITLE: 6TH SOLUTION OPTION WATER VALVE, LWM5		
DRAWING: 11030088	REV: 00	SHEET: 1 OF 1



ITEM	PART #	DESCRIPTION
1	68122-MHB	HOSE-BARB,3/4HX1/2MNPT,BR
2	67605-B	PLUG,PIPE,SQ-HD,1"MNPT,BRS
3	67604-B	PLUG PIPE SQ HD 3/4 BR
4	67603-B	PLUG,PIPE,1/4"NPT,SQ-HD,BRS
5	67410-4S	ELBOW,1NPT,90DEG,SC40,SST
6	67015-B4S	NIPPLE,1MPTx2.00",SC40,SST
7	67015-4S	NIPPLE,1MPTxCLOSE,SC40,SST
8	67014-8S	NIPPLE,3/4MPTxCLOSE,SC80,SST
9	63188	VALVE,BAL-RLF,3/4FPT,53.5GPM,2560PSI,BR
10	63044	COIL,SOL,24VAC,50HZ,DANFOSS
11	63042	PLUG,DIN,18MM,PLST
12	44575-N	ADAPTER,1.00-COMP-SWVLx1.00FPT,STL,NI-PL
13	44562-N	HYD FTG ADPT FEMSWVL 1X1 MALE STL NI PLT
14	25111	GAUGE,PRES,0-2000PSI,1/4MPT,CBM,LIQ,2.5"
15	06140446	BRACKET,MOUNTING,HP-VALVE,M5
16	03010116	VALVE,BLOCK,ARCH-UNDERBODY,HP,SST

		PDQ MANUFACTURING, INC. De Pere, WI a SPRINT company	
TITLE: HP CHANGE-OVER WATER VALVE, LWM5 - 50HZ			
DRAWING: 11030101		REV: 00	SHEET: 1 OF 1

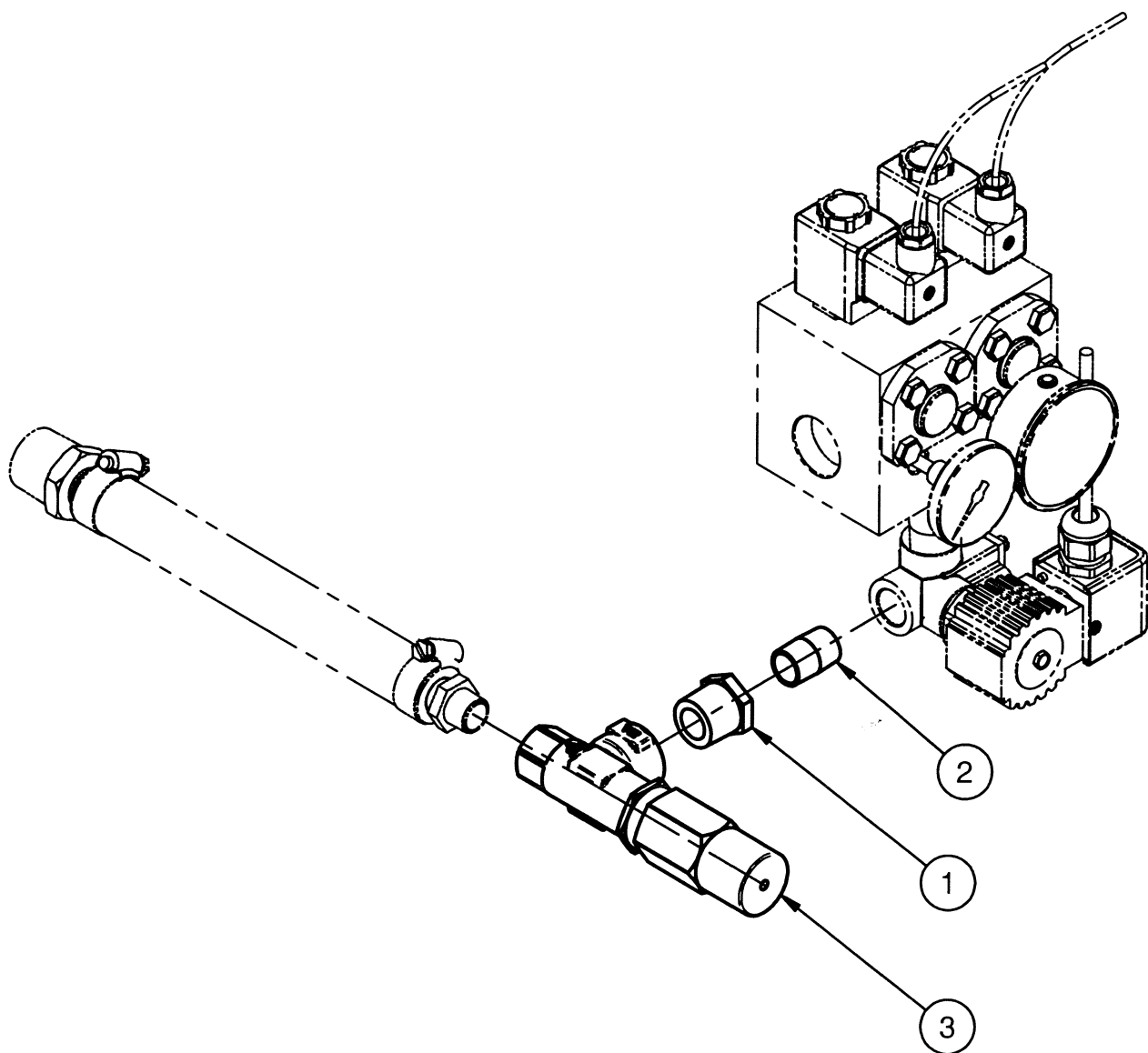


ITEM	PART #	DESCRIPTION
1	75103	CLAMP,HOSE,#12,.75H,SST
2	68430-4B	CROSS,PIPE,1NPT,SC40,BRS
3	68129-MHB	HOSE-BARB,1Hx1MNPT,BR
4	68124-MHB	HOSE-BARB,3/4Hx1MNPT,BRS
5	67605-B	PLUG,PIPE,SQ-HD,1"MNPT,BRS
6	67495-4B	ELBOW,STREET,90DE,1,SC40,BR
7	67410-4B	ELBOW,PIPE,90,1,SC40,BR
8	67015-D4B	NIPPLE,1MPTx3.00",SC40,BRS
9	67015-4S	NIPPLE,1MPTxCLOSE,SC40,SST
10	63044	COIL,SOL,24VAC,50HZ,DANFOSS
1	63042	PLUG,DIN,18MM,PLST
12	03340024	HOSE,.75x9.50,300-PSI,EPDM,RED
13	03010119	VALVE,PRODUCTIVITY-RINSE,M5
14	03010039	VALVE,RELIEF,1.00,BRS,110PSI-SET


PDQ PDQ MANUFACTURING, INC.
De Pere, WI
A SPOWEN COMPANY

TITLE: PRODUCTIVITY RINSE - LWM5
WATER VALVE - 50HZ

DRAWING: 11030102 REV: 00 SHEET: 1 OF 1




ITEM	PART #	DESCRIPTION
1	67709-S	BUSHING,PIPE,.75x.50NPT,SST
2	67013-4S	NIPPLE,1/2NPTxCLOSE,SC40,SST
3	63188	VALVE,BAL-RLF,3/4FPT,53.5GPM,2560PSI,BR

		PDQ MANUFACTURING, INC. De Pere, WI A DOVER CORP.
TITLE: WATER SAVER VALVE LWM5 - 50HZ		
DRAWING: 11030103	REV: 00	SHEET: 1 OF 1

ITEM	PART #	DESCRIPTION
1	M550043	MANIFOLD,HP-SOLUTION,VERT
2	75101	CLAMP,HOSE,#6,.38-.50H,SST
3	68146-MHP	HOSE-BARB,2Hx1-1/2MNPT,PVC
4	68139-MHB	HOSE-BARB,1-1/2Hx1MNPT,BR
5	68124-MHB	HOSE-BARB,3/4Hx1MNPT,BRS
6	68112-MHB	HOSE-BARB,3/8Hx3/8MPT,BRS
7	67725-B	BUSHING,PIPE,1-1/2x1NPT,BRS
8	67605-B	PLUG,PIPE,SQ-HD,1"MNPT,BRS
9	67603-B	PLUG,PIPE,1/4"NPT,SQ-HD,BRS
10	67497-4B	ELBOW,STREET,90,1-1/2NPT,BRS
11	67493-4S	ELBOW,STREET,3/4NPT,90DEG,SC40,SST
12	67489-4B	ELBOW,STREET,3/8NPT,90DEG,SC40,BRS
13	67410-4B	ELBOW,PIPE,90,1,SC40,BR
14	67131-4B	TEE,PIPE,1-1/2,SC40,BR
15	67125-4B	TEE,PIPE,1NPT,SC40,BRS
.6	67015-D4B	NIPPLE,1MPTx3.00",SC40,BRS
17	67015-B4B	NIPPLE,1MPTx2.00",SC40,BRS
18	67015-4B	NIPPLE,1MPTxCLOSE,SC40,BR
19	62651	PUMP, GENERAL, CW-1541, PLUNGER
20	44563-N	HYD FTG ADPT FEMSWVL 1X3/4 MALE STL NI
21	43900	HOSE,HYD,1.00-MPT,27.00-OAL,2000PSI
22	SEE TABLE	MOTOR,25HP,1775,284T,208(190)/460(380)
23	12532-SD	BUSHING, SHV, 1-7/8, TYPE SD, STEEL
24	12519-SK	BUSHING,SHV,35mm,SK,STL
25	12041-3SK	PULLEY,V-BELT,3B,12.40DIA,TYPE-SK
26	12026-3SD	SHEAVE 3B6.0 3 GROOVE TYPE SD, STEEL
27	06160175	GUARD,BELT,PUMP-MOTOR,OUTER,M5
28	06160174	GUARD,BELT,PUMP-MOTOR,INNER,M5
29	06020021	BELT,V,BX61,62.8",RBR
30	03340098	HOSE HYD, 24", .375 300PSI INSTA GRIP
1	03340031	HOSE,WATER,1-1/2ID,200PSI,10",EPDM,TUBE
32	03310032	HOSE-BARB,3/8"Hx1/4"FNPT,BRS
33	03310003	HOSE-BARB,3/8Hx1/4MNPT,BRS
34	03140053	ADAPTER,3/8-18NPSMx3/8-18NPT,STEEL

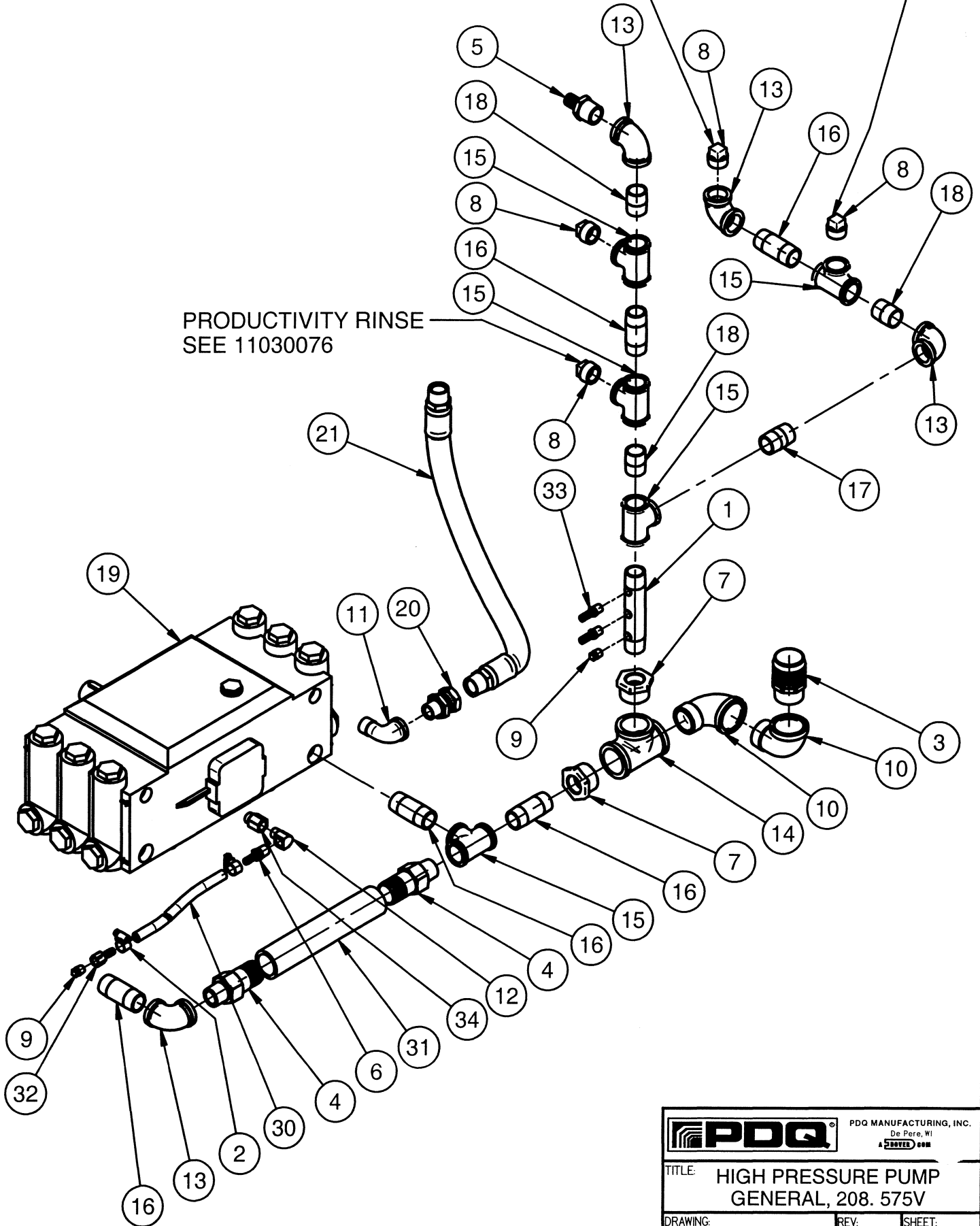
TABLE	
VOLTAGE	MOTOR PN
208V - 60HZ	38030-A
575V - 50HZ	04120016


		PDQ MANUFACTURING, INC. De Pere, WI A  COMPANY	
TITLE: HIGH PRESSURE PUMP GENERAL, 208. 575V			
DRAWING:	11050068	REV:	00
		SHEET:	1 OF 3

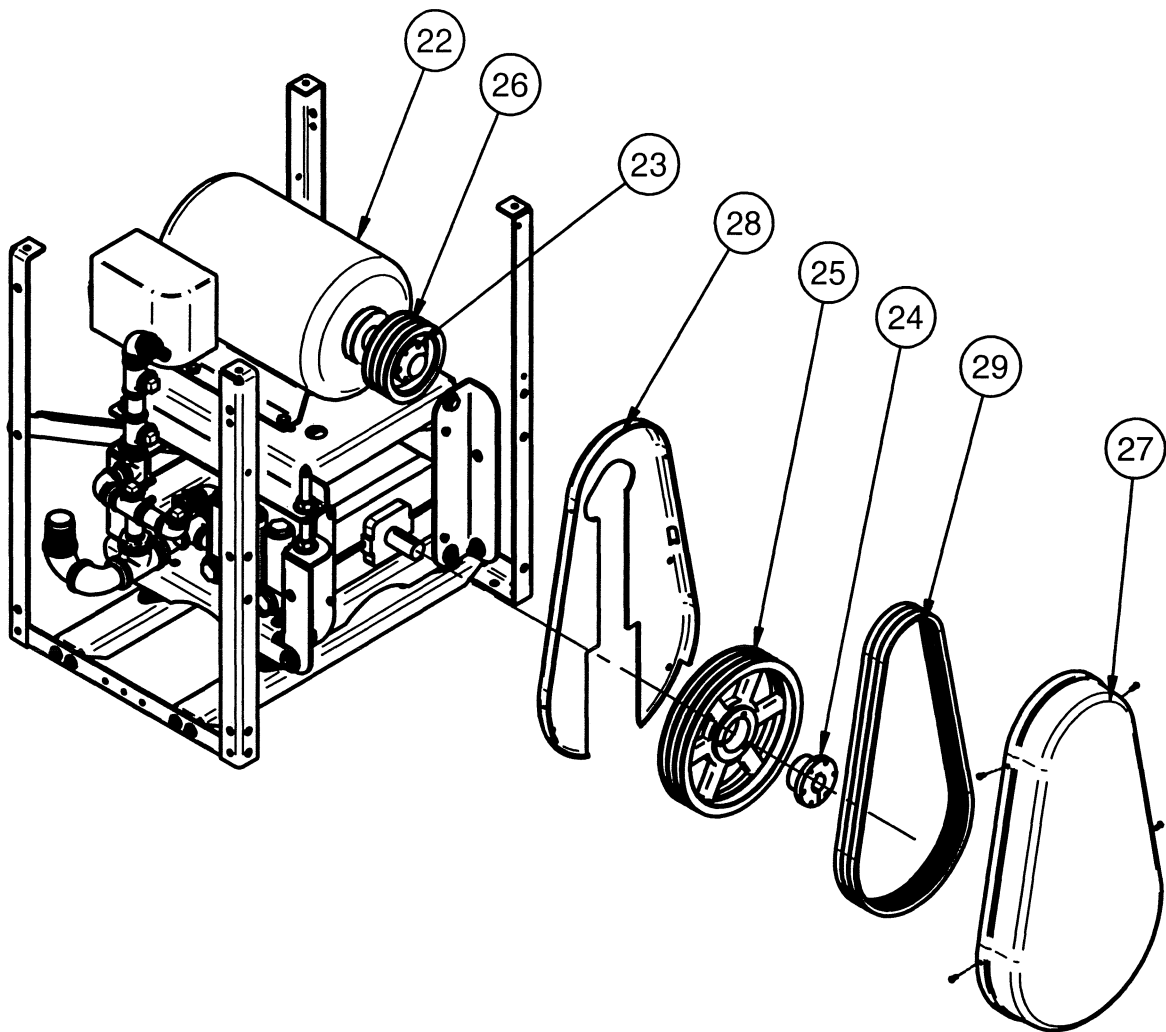
RECLAIM INJECT
SEE 11030079

HOT WATER INJECT
SEE 11030080

PRODUCTIVITY RINSE
SEE 11030076



 PDQ MANUFACTURING, INC. De Pere, WI A STROYER COMPANY	
TITLE: HIGH PRESSURE PUMP GENERAL, 208. 575V	
DRAWING: 11050068	REV.: 00
SHEET: 2 OF 3	



		PDQ MANUFACTURING, INC. De Pere, WI A  COMPANY	
TITLE: HIGH PRESSURE PUMP GENERAL, 208. 575V			
DRAWING:	REV.	SHEET:	
11050068	00	3 OF 3	

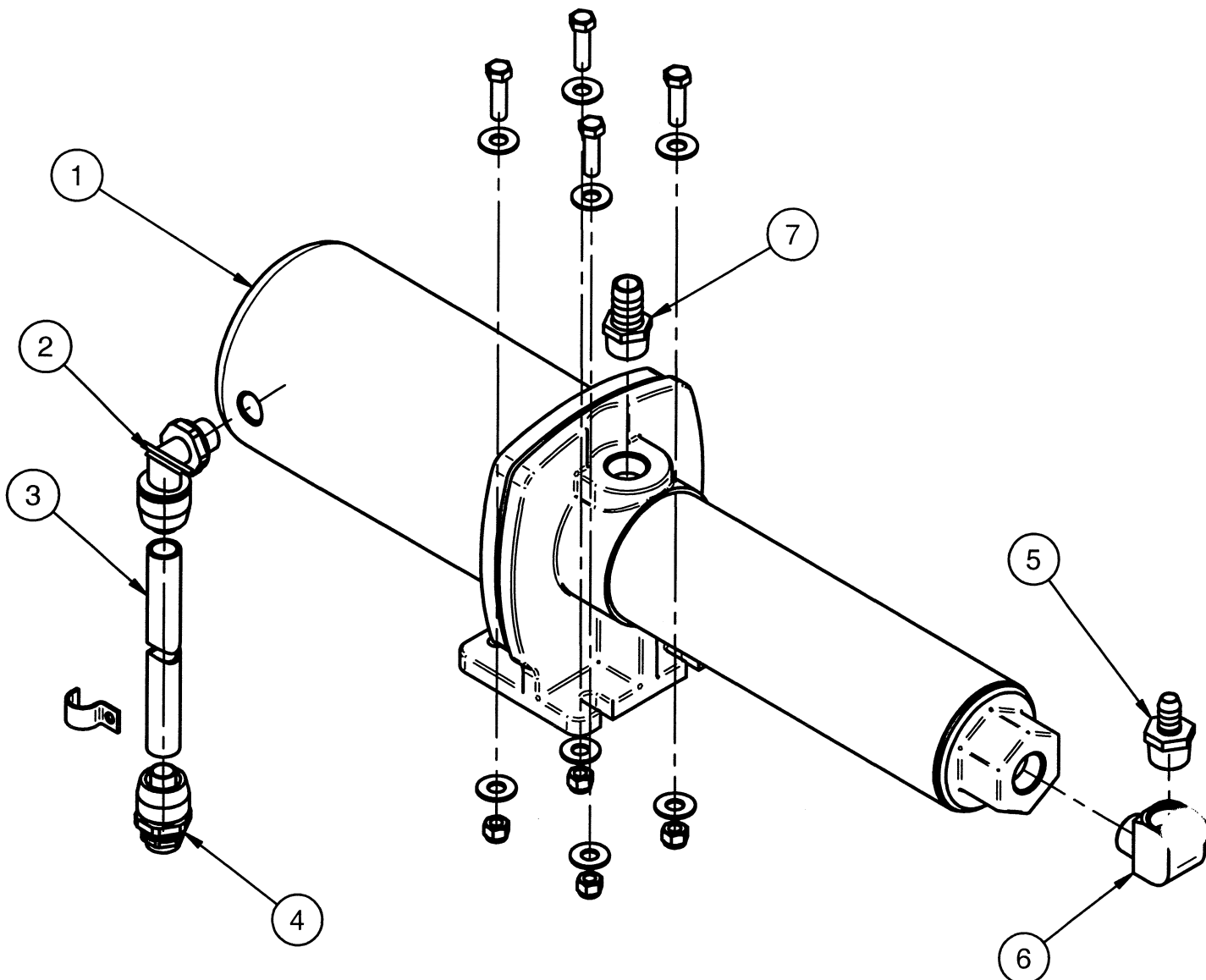



TABLE	
Description	Pump P/N
208V 60 Hz	03180016
380V 50 Hz	03180018

ITEM	PART #	DESCRIPTION
1	SEE TABLE	PUMP, STA-RITE, W/MOTOR, 11STG, 1HP, 60/50HZ
2	36084	CONNECTOR, CONDUIT, 1/2, ADJUSTABLE, PVC
3	36005	CONDUIT, FLEXIBLE, 1/2, 300V, NON-METALLIC
4	36080	CONNECTOR, CONDUIT, 1/2, STRAIGHT, PVC
5	68118-MHB	HOSE-BARB, 1/2"Hx3/4MNPT, BR
6	67493-4B	ELBOW, STREET, 3/4NPT, 90DEG, BRS, BARSTOCK
7	68123-MHB	HOSE-BARB, 3/4Hx3/4MNPT, BRS


PDQ MANUFACTURING, INC.
 De Pere, WI
A SOUTHERN COMPANY

TITLE: PUMP, SOLUTON, LWM5

DRAWING:	REV:	SHEET:
11050069	00	1 OF 1

ITEM	PART #	DESCRIPTION
1	M550043	MANIFOLD,HP-SOLUTION,VERT
2	75101	CLAMP,HOSE,#6,.38-.50H,SST
3	68146-MHP	HOSE-BARB,2Hx1-1/2MNPT,PVC
4	68124-MHB	HOSE-BARB,3/4Hx1MNPT,BRS
5	67725-B	BUSHING,PIPE,1-1/2x1NPT,BRS
6	67607-B	PLUG,PIPE,1.50NPT,SQ-HEAD,BR
7	67605-B	PLUG,PIPE,SQ-HD,1"MNPT,BRS
8	67603-B	PLUG,PIPE,1/4"NPT,SQ-HD,BRS
9	67497-4B	ELBOW,STREET,90,1-1/2NPT,BRS
10	67410-4S	ELBOW,1NPT,90DEG,SC40,SST
11	67410-4B	ELBOW,PIPE,90,1,SC40,BR
12	67131-4B	TEE,PIPE,1-1/2,SC40,BR
3	67125-4B	TEE,PIPE,1NPT,SC40,BRS
14	67017-4B	NIPPLE,1-1/2xCLOSE,SC40,BRS
15	67015-D4B	NIPPLE,1MPTx3.00",SC40,BRS
16	67015-4S	NIPPLE,1MPTxCLOSE,SC40,SST
17	67015-4B	NIPPLE,1MPTxCLOSE,SC40,BR
18	62700	PUMP,CAT,3535,36GPM,1200,PSI,PLUNGER
19	SEE TABLE	MOTOR,25HP,1775,284T,208(190)/460(380)
20	12532-SD	BUSHING, SHV, 1-7/8, TYPE SD, STEEL
21	12519-SK	BUSHING,SHV,35mm,SK,STL
22	12043-3SK	PULLEY,V-BELT,3B,13.60DIA,TYPE-SK
23	12028-3SD	SHEAVE 3B6.2 3 GROOVE TYPE SD
24	06160175	GUARD,BELT,PUMP-MOTOR,OUTER,M5
25	06160174	GUARD,BELT,PUMP-MOTOR,INNER,M5
26	06020019	BELT,V,BX62, 63.8",RBR
27	03340098	HOSE HYD, 24", .375 300PSI INSTA GRIP
3	03340036	HOSE,1MPTx13.00,2000-PSI,HP-PUMP,M5
29	03310032	HOSE-BARB,3/8"Hx1/4"FNPT,BRS
30	03310003	HOSE-BARB,3/8Hx1/4MNPT,BRS
31	03140010	ADAPTER,STR,1/4-19BSPPx1/4FNPT,PL-STL

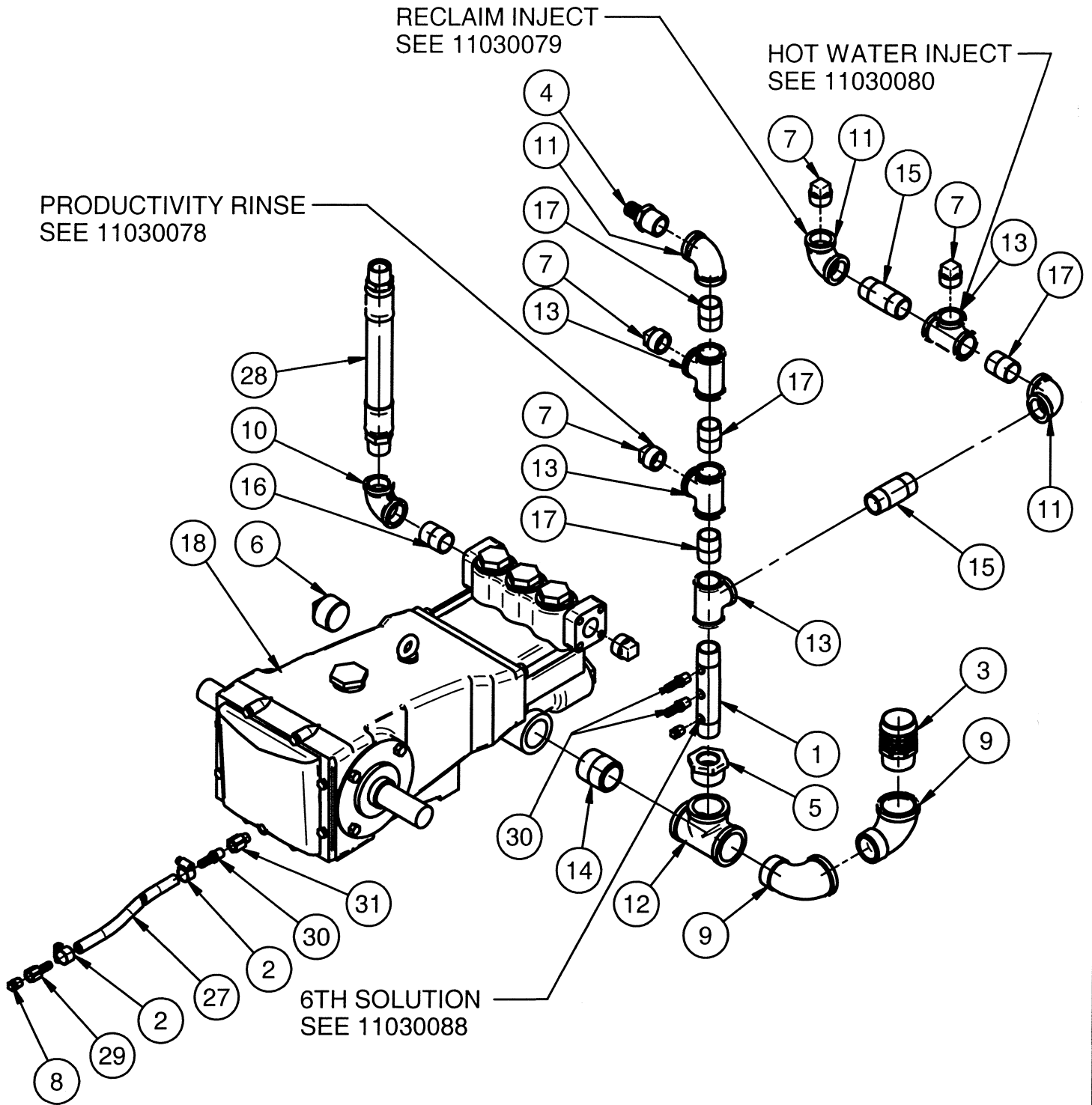
TABLE	
VOLTAGE	MOTOR PN
208V - 60HZ	38030-A
575V - 50HZ	04120016

	PDQ MANUFACTURING, INC. De Pere, WI a SPRINT COMPANY		
	TITLE: HIGH PRESSURE PUMP CAT. 208, 575V		
DRAWING: 11050074	REV: 00	SHEET: 1 OF 3	

RECLAIM INJECT
SEE 11030079

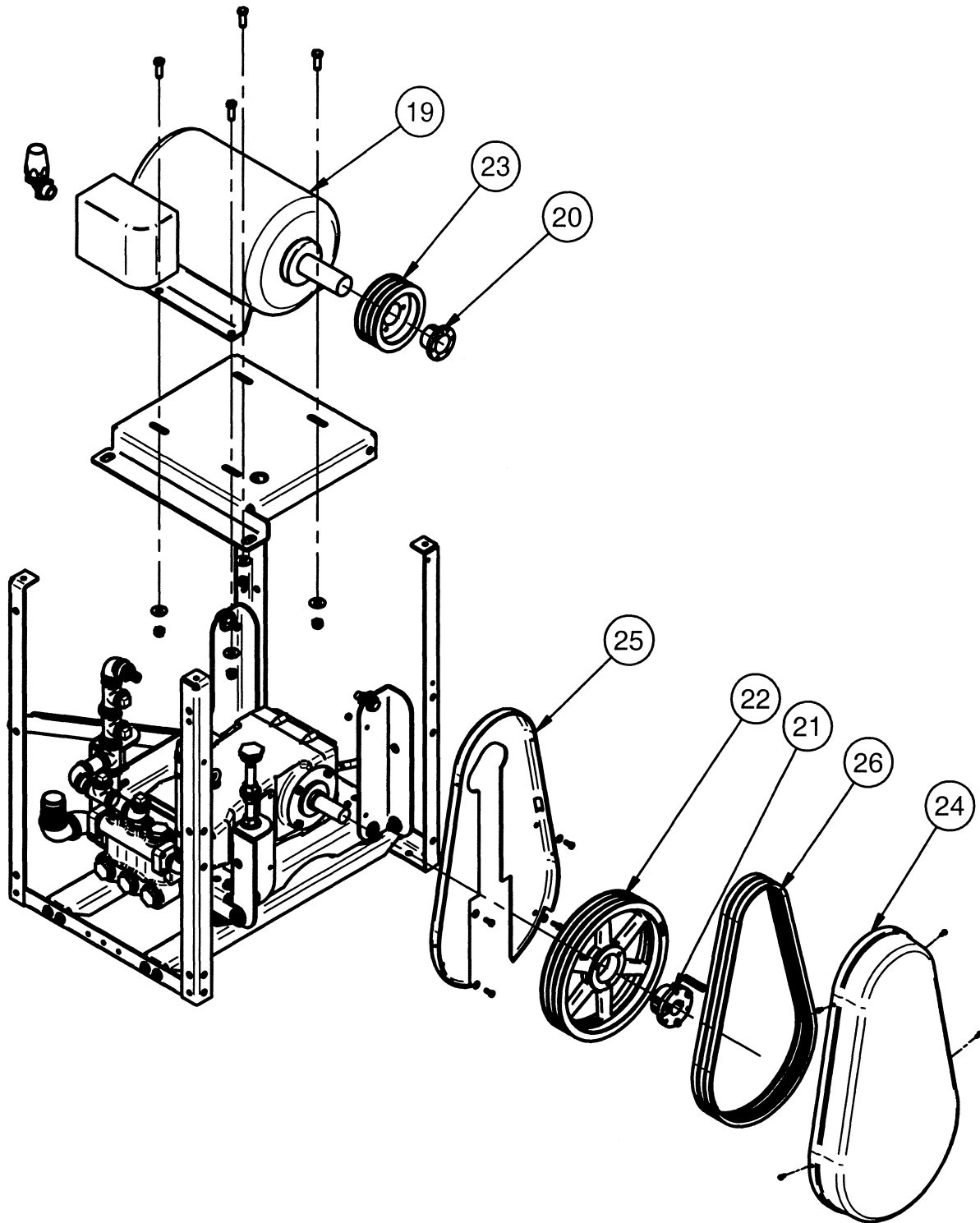
HOT WATER INJECT
SEE 11030080



PRODUCTIVITY RINSE
SEE 11030078




6TH SOLUTION
SEE 11030088

		PDQ MANUFACTURING, INC. De Pere, WI A COMPANY	
TITLE: HIGH PRESSURE PUMP CAT. 208, 575V			
DRAWING:	REV:	SHEET:	
11050074	00	2 OF 3	



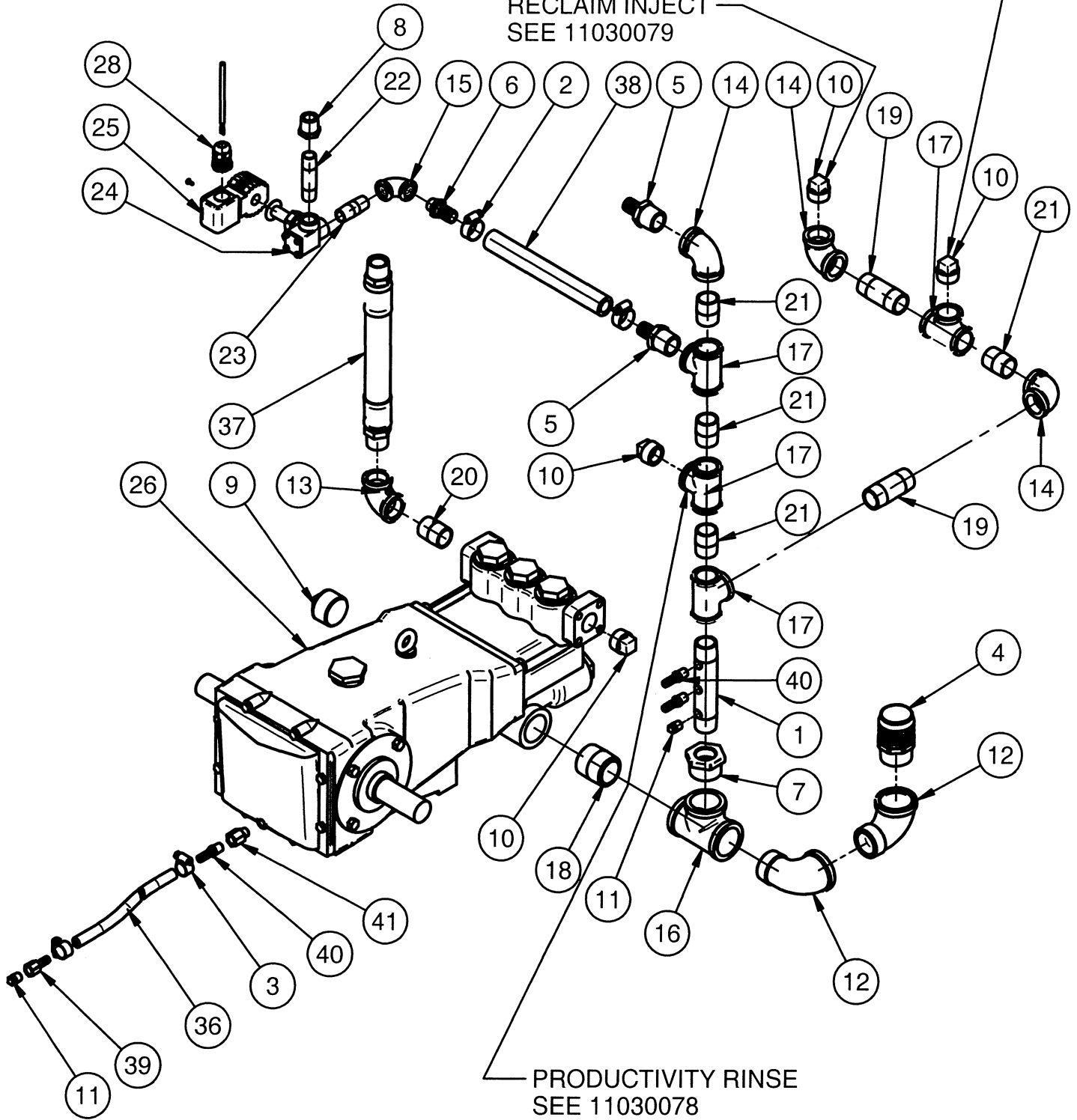
		PDQ MANUFACTURING, INC. De Pere, WI A  COMPANY
TITLE: HIGH PRESSURE PUMP CAT. 208, 575V		
DRAWING:	REV:	SHEET:
11050074	00	3 OF 3

ITEM	PART #	DESCRIPTION
1	M550043	MANIFOLD,HP-SOLUTION,VERT
2	75103	CLAMP,HOSE,#12,.75H,SST
3	75101	CLAMP,HOSE,#6,.38-50H,SST
4	68146-MHP	HOSE-BARB,2Hx1-1/2MNPT,PVC
5	68124-MHB	HOSE-BARB,3/4Hx1MNPT,BRS
6	68122-MHB	HOSE-BARB,3/4Hx1/2MNPT,BR
7	67725-B	BUSHING,PIPE,1-1/2x1NPT,BRS
8	67709-S	BUSHING,PIPE,.75x.50NPT,SST
9	67607-B	PLUG,PIPE,1.50NPT,SQ-HEAD,BR
10	67605-B	PLUG,PIPE,SQ-HD,1"MNPT,BRS
11	67603-B	PLUG,PIPE,1/4"NPT,SQ-HD,BRS
12	67497-4B	ELBOW,STREET,90,1-1/2NPT,BRS
13	67410-4S	ELBOW,1NPT,90DEG,SC40,SST
14	67410-4B	ELBOW,PIPE,90,1,SC40,BR
15	67406-4B	ELBOW,PIPE,90,1/2NPT,BR
16	67131-4B	TEE,PIPE,1-1/2,SC40,BR
17	67125-4B	TEE,PIPE,1NPT,SC40,BRS
18	67017-4B	NIPPLE,1-1/2xCLOSE,SC40,BRS
19	67015-D4B	NIPPLE,1MPTx3.00",SC40,BRS
20	67015-4S	NIPPLE,1MPTxCLOSE,SC40,SST
21	67015-4B	NIPPLE,1MPTxCLOSE,SC40,BR
22	67013-D4S	NIPPLE,.50NPTx3.00,SC40,SST
23	67013-B4B	NIPPLE,1/2NPTx2.00,SC40,BRS
24	63307	VALVE,2WAY-NC,1/2FPT,1200PSI,24VAC,BRS
25	63300	COIL 24V JUNC BOX
26	62700	PUMP,CAT,3535,36GPM,1200,PSI,PLUNGER
27	38030-B	MOTOR,ELEC,25HP,284T,1450,220/380/415
28	36402	STRAIN-RELIEF,.236-.472",POLY,W/LOCKNUT
29	12532-SK	BUSHING,SHEAVE,1-7/8,TYPE-SK
30	12519-SK	BUSHING,SHV,35mm,SK,STL
31	12043-3SK	PULLEY,V-BELT,3B,13.60DIA,TYPE-SK
32	12033-3SK	SHEAVE,3B7.4,3-GROOVE,TYPE-SK
33	06160175	GUARD,BELT,PUMP-MOTOR,OUTER,M5
34	06160174	GUARD,BELT,PUMP-MOTOR,INNER,M5
35	06020022	BELT,V,BX63,64.8",RBR
36	03340098	HOSE HYD, 24", .375 300PSI INSTA GRIP
37	03340036	HOSE,1MPTx13.00,2000-PSI,HP-PUMP,M5
38	03340024	HOSE,.75x9.50,300-PSI,EPDM,RED
39	03310032	HOSE-BARB,3/8"Hx1/4"FNPT,BRS
40	03310003	HOSE-BARB,3/8Hx1/4MNPT,BRS
41	03140010	ADAPTER,STR,1/4-19BSPx1/4FNPT,PL-STL

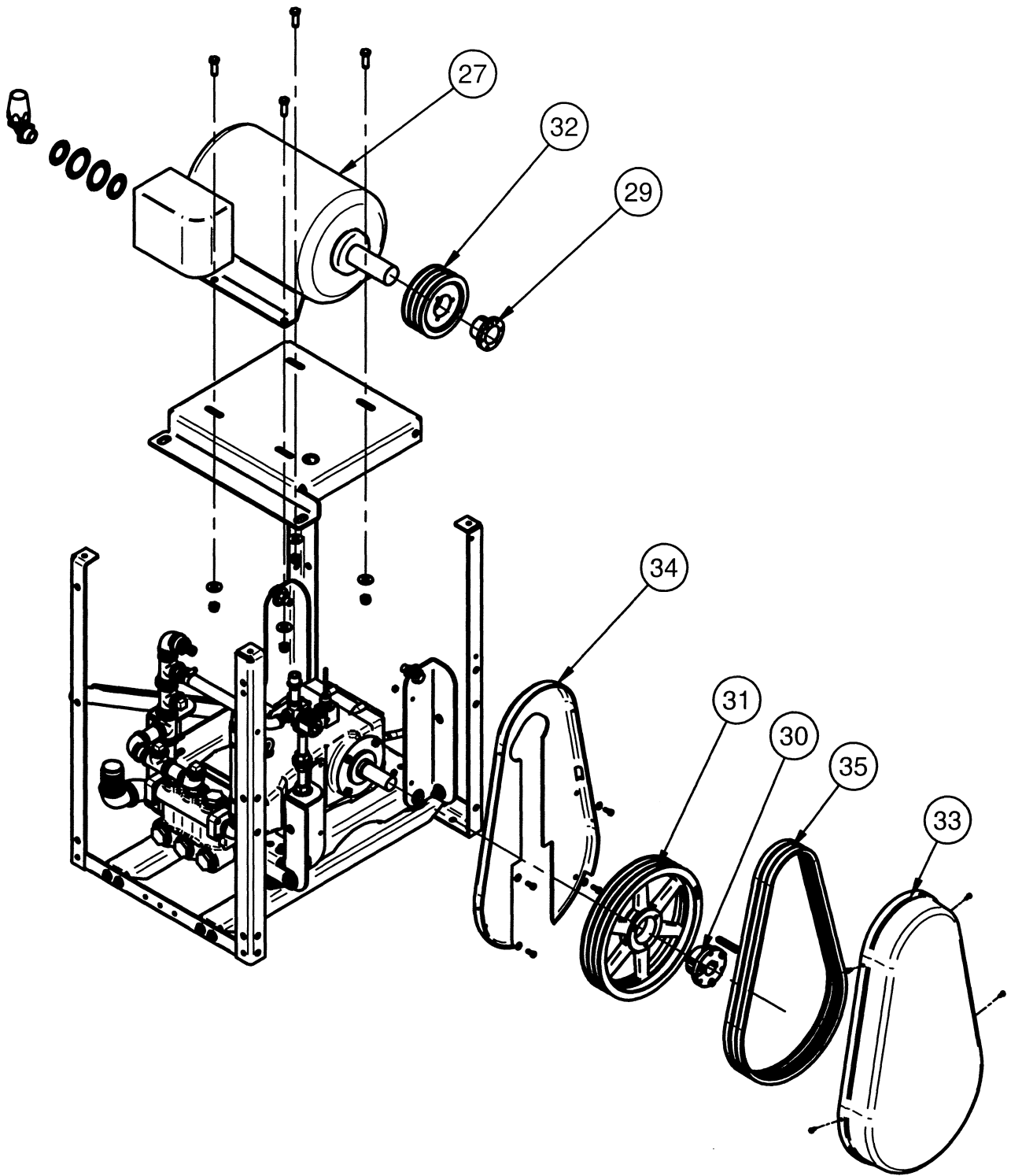
		PDQ MANUFACTURING, INC. De Pere, WI A GROVE COMPANY	
TITLE: HIGH PRESSURE PUMP CAT, 220-380V, LWM5			
DRAWING: 11050076		REV: 00	SHEET: 1 OF 3

HOT WATER INJECT
SEE 11030080

RECLAIM INJECT
SEE 11030079




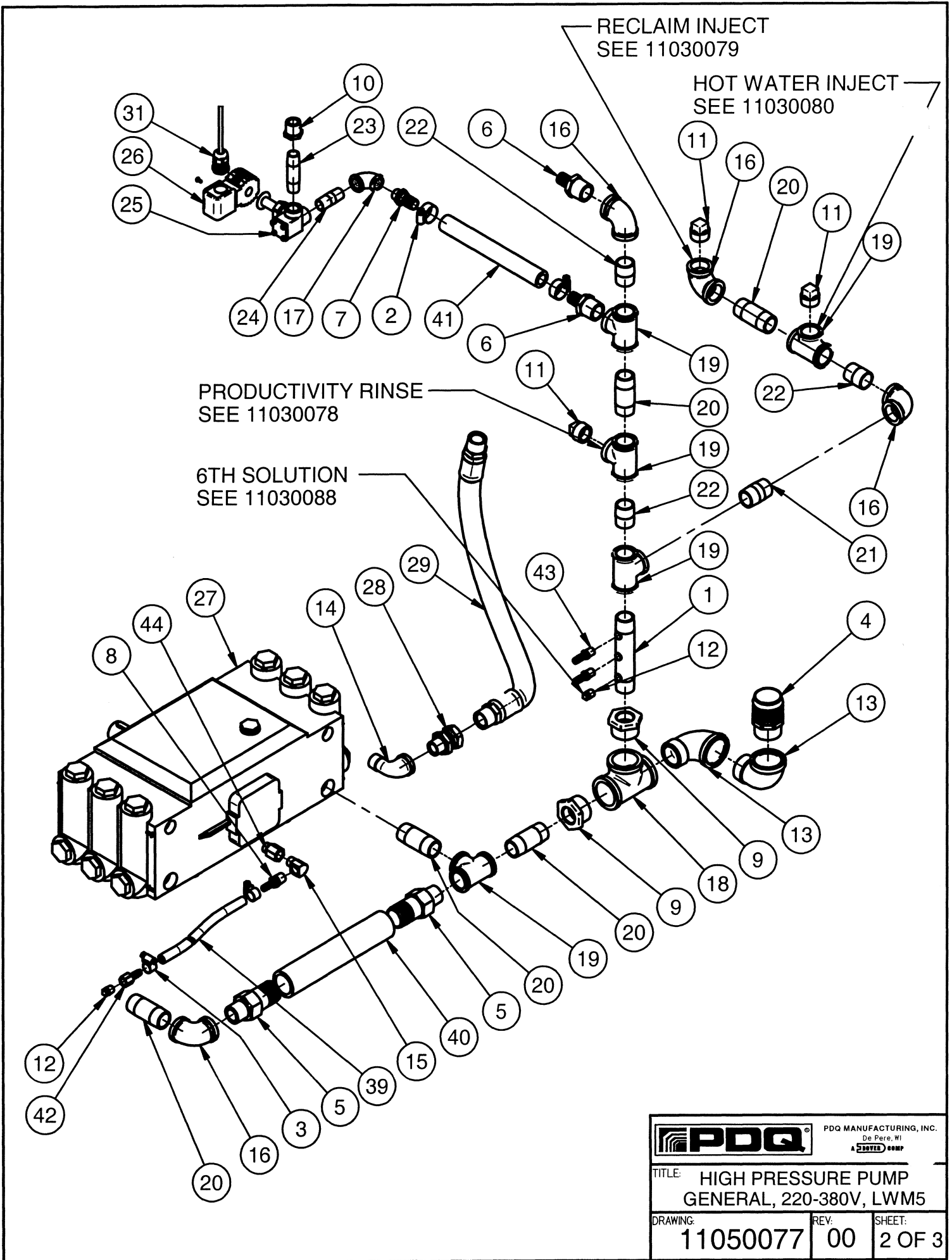
 PDQ MANUFACTURING, INC. De Pere, WI A SUTTER COMPANY	
TITLE: HIGH PRESSURE PUMP CAT, 220-380V, LWM5	
DRAWING: 11050076	REV.: 00
SHEET: 2 OF 3	


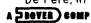


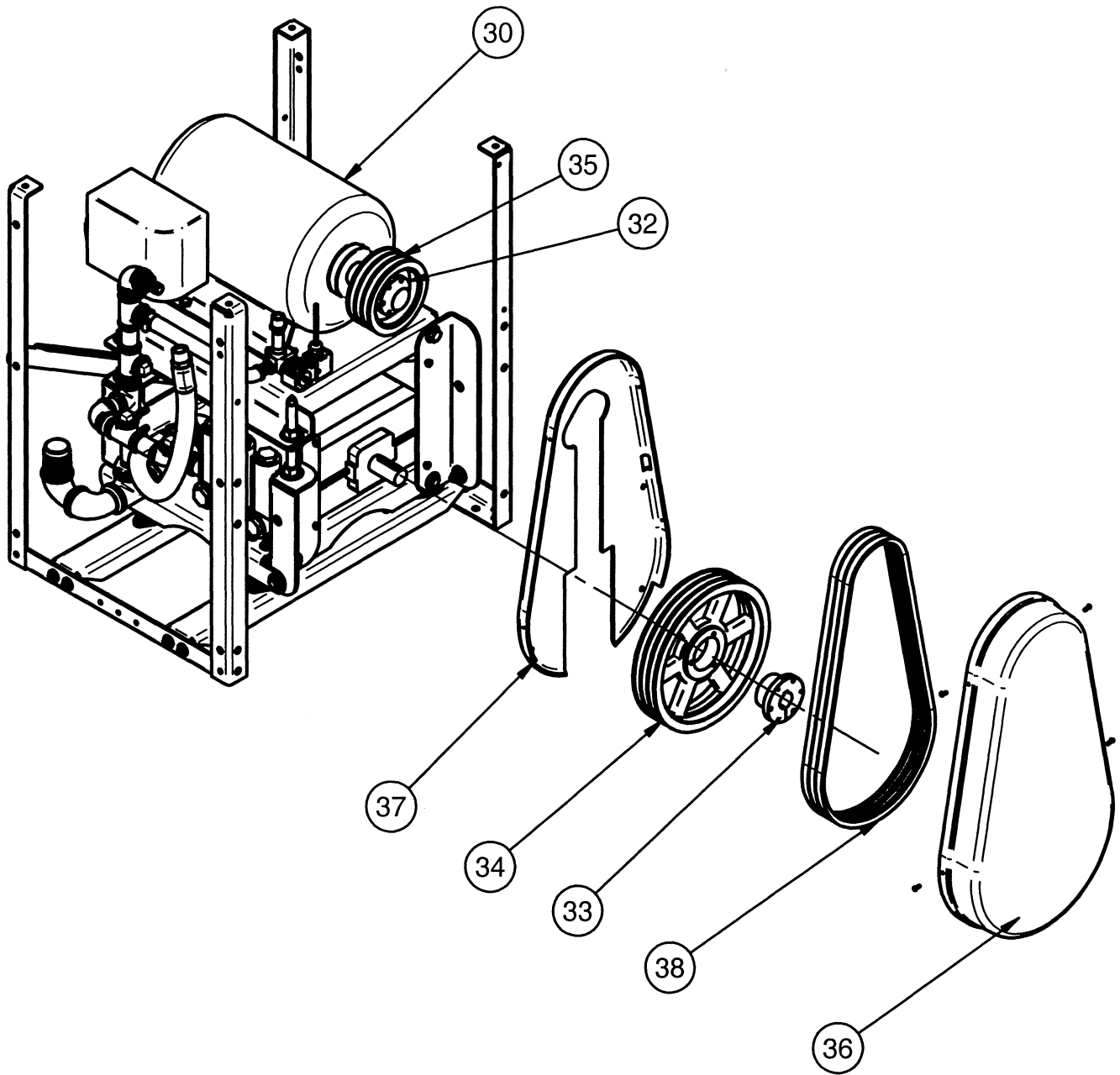
		PDQ MANUFACTURING, INC. De Pere, WI <small>A QUANTA COMPANY</small>
TITLE: HIGH PRESSURE PUMP CAT, 220-380V, LWM5		
DRAWING: 11050076	REV: 00	SHEET: 3 OF 3



ITEM	PART #	DESCRIPTION
1	M550043	MANIFOLD,HP-SOLUTION,VERT
2	75103	CLAMP,HOSE,#12,.75H,SST
3	75101	CLAMP,HOSE,#6,.38-.50H,SST
4	68146-MHP	HOSE-BARB,2Hx1-1/2MNPT,PVC
5	68139-MHB	HOSE-BARB,1-1/2Hx1MNPT,BR
6	68124-MHB	HOSE-BARB,3/4Hx1MNPT,BRS
7	68122-MHB	HOSE-BARB,3/4Hx1/2MNPT,BR
8	68112-MHB	HOSE-BARB,3/8Hx3/8MPT,BRS
9	67725-B	BUSHING,PIPE,1-1/2x1NPT,BRS
10	67709-S	BUSHING,PIPE,.75x.50NPT,SST
11	67605-B	PLUG,PIPE,SQ-HD,1"MNPT,BRS
12	67603-B	PLUG,PIPE,1/4"NPT,SQ-HD,BRS
13	67497-4B	ELBOW,STREET,90,1-1/2NPT,BRS
14	67493-4S	ELBOW,STREET,3/4NPT,90DEG,SC40,SST
15	67489-4B	ELBOW,STREET,3/8NPT,90DEG,SC40,BRS
16	67410-4B	ELBOW,PIPE,90,1,SC40,BR
17	67406-4B	ELBOW,PIPE,90,1/2NPT,BR
18	67131-4B	TEE,PIPE,1-1/2,SC40,BR
19	67125-4B	TEE,PIPE,1NPT,SC40,BRS
20	67015-D4B	NIPPLE,1MPTx3.00",SC40,BRS
21	67015-B4B	NIPPLE,1MPTx2.00",SC40,BRS
22	67015-4B	NIPPLE,1MPTxCLOSE,SC40,BR
23	67013-D4S	NIPPLE,.50NPTx3.00,SC40,SST
24	67013-B4B	NIPPLE,1/2NPTx2.00,SC40,BRS
25	63307	VALVE,2WAY-NC,1/2FPT,1200PSI,24VAC,BRS
26	63300	COIL 24V JUNC BOX
27	62651	PUMP, GENERAL, CW-1541, PLUNGER
28	44563-N	HYD FTG ADPT FEMSWVL 1X3/4 MALE STL NI
29	43900	HOSE,HYD,1.00-MPT,27.00-OAL,2000PSI
30	38030-B	MOTOR,ELEC,25HP,284T,1450,220/380/415
31	36402	STRAIN-RELIEF,.236-.472",POLY,W/LOCKNUT
32	12532-SK	BUSHING,SHEAVE,1-7/8,TYPE-SK
33	12519-SK	BUSHING,SHV,35mm,SK,STL
34	12041-3SK	PULLEY,V-BELT,3B,12.40DIA,TYPE-SK
35	12033-3SK	SHEAVE,3B7.4,3-GROOVE,TYPE-SK
36	06160175	GUARD,BELT,PUMP-MOTOR,OUTER,M5
37	06160174	GUARD,BELT,PUMP-MOTOR,INNER,M5
38	06020022	BELT,V,BX63,64.8",RBR
39	03340098	HOSE HYD, 24", .375 300PSI INSTA GRIP
40	03340031	HOSE,WATER,1-1/2ID,200PSI,10",EPDM,TUBE
41	03340024	HOSE,.75x9.50,300-PSI,EPDM,RED
42	03310032	HOSE-BARB,3/8"Hx1/4"FNPT,BRS
43	03310003	HOSE-BARB,3/8Hx1/4MNPT,BRS
44	03140053	ADAPTER,3/8-18NPSMx3/8-18NPT,STEEL

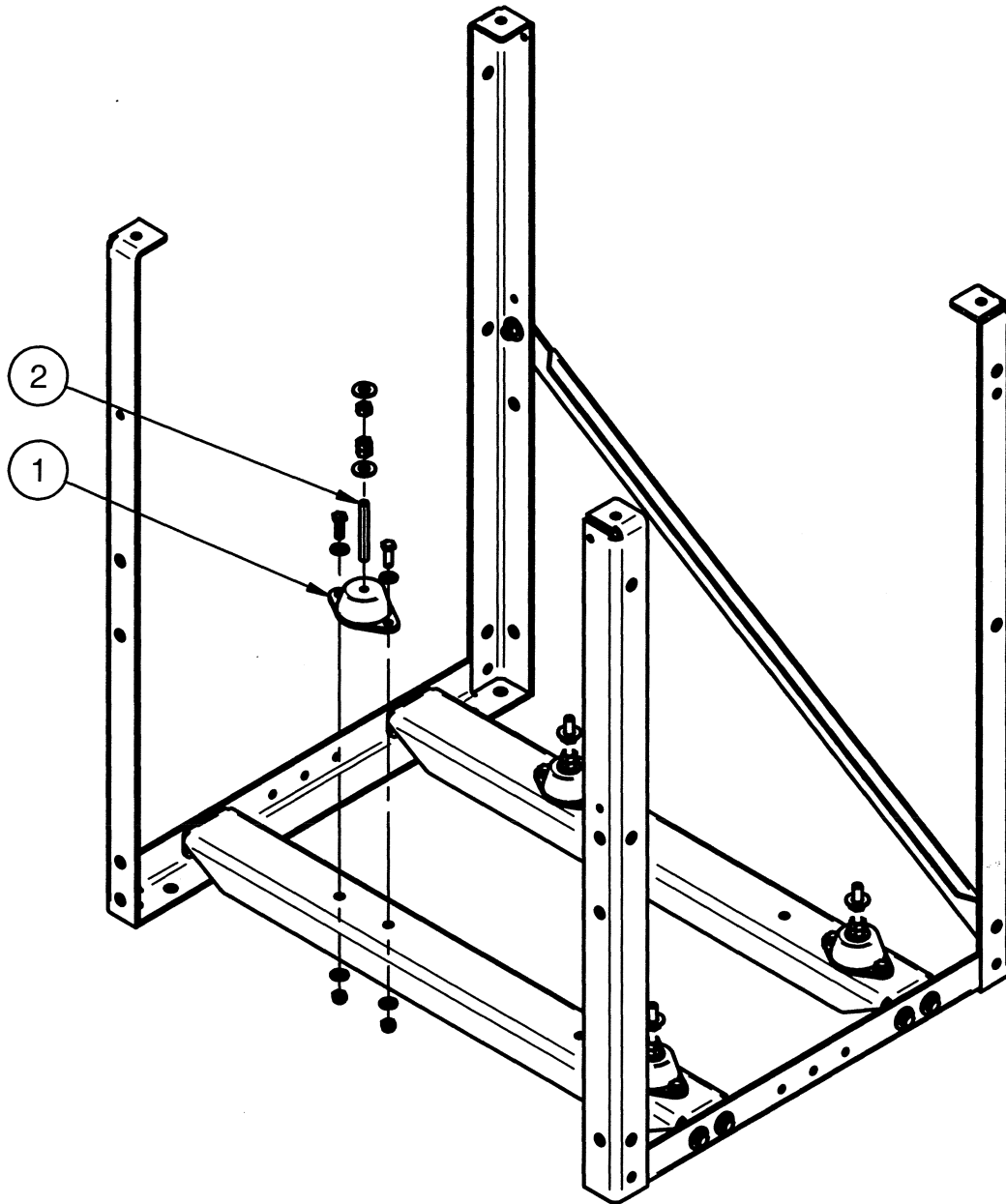
		PDQ MANUFACTURING, INC. De Pere, WI A TRAVELER COMPANY	
TITLE: HIGH PRESSURE PUMP GENERAL, 220-380V, LWM5			
DRAWING: 11050077		REV: 00	SHEET: 1 OF 3





		PDQ MANUFACTURING, INC. De Pere, WI A  COMP
TITLE: HIGH PRESSURE PUMP GENERAL, 220-380V, LWM5		
DRAWING: 11050077	REV: 00	SHEET: 2 OF 3

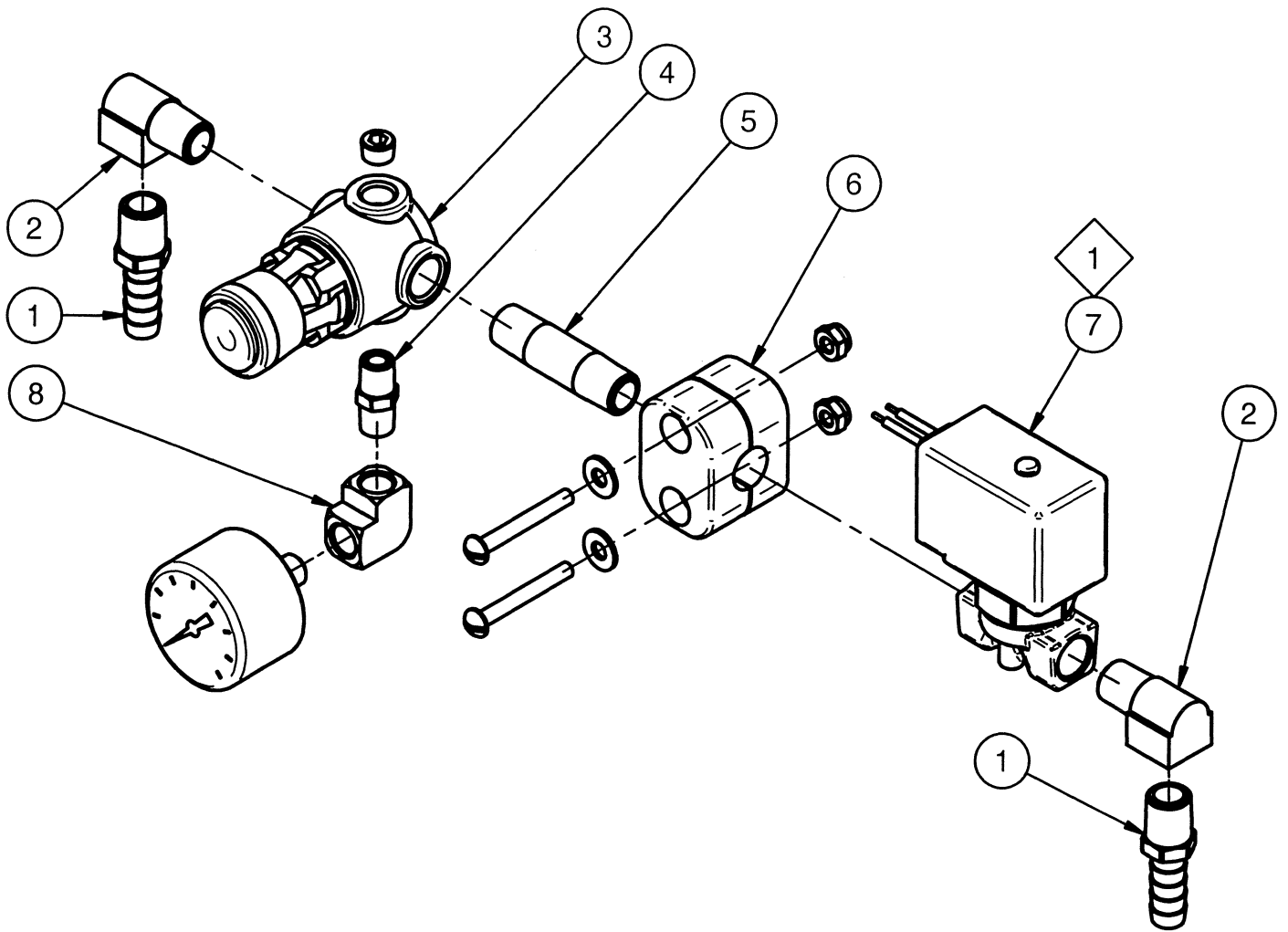


		PDQ MANUFACTURING, INC. De Pere, WI A  COMPANY
TITLE: HIGH PRESSURE PUMP GENERAL, 220-380V, LWM5		
DRAWING: 11050077	REV: 00	SHEET: 3 OF 3





ITEM	PART #	DESCRIPTION
1	06060010	MOUNT,DAMPENER,HP-PUMP-ASSY,M5,NPRN
2	05040189	THREADED-ROD,.38UNCx3.00,SST

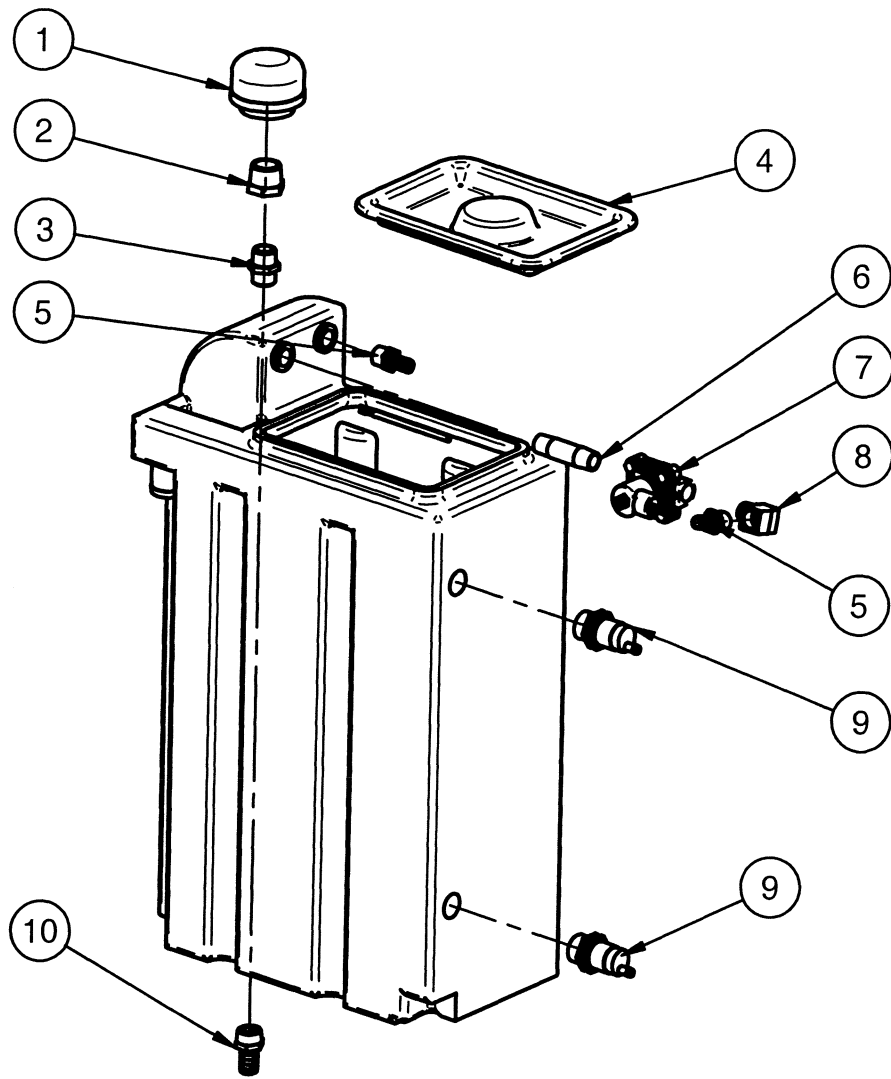
		PDQ MANUFACTURING, INC. De Pere, WI A  COMP	
TITLE:		FRAME, HP MODULE LWM5	
DRAWING:	11080032	REV:	00
		SHEET:	1 OF 1




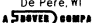
1 ON MACHINES PRIOR TO BRIDGE S/N BA0945. USE VALVE PART NUMBER 63305 AND COIL 63300.

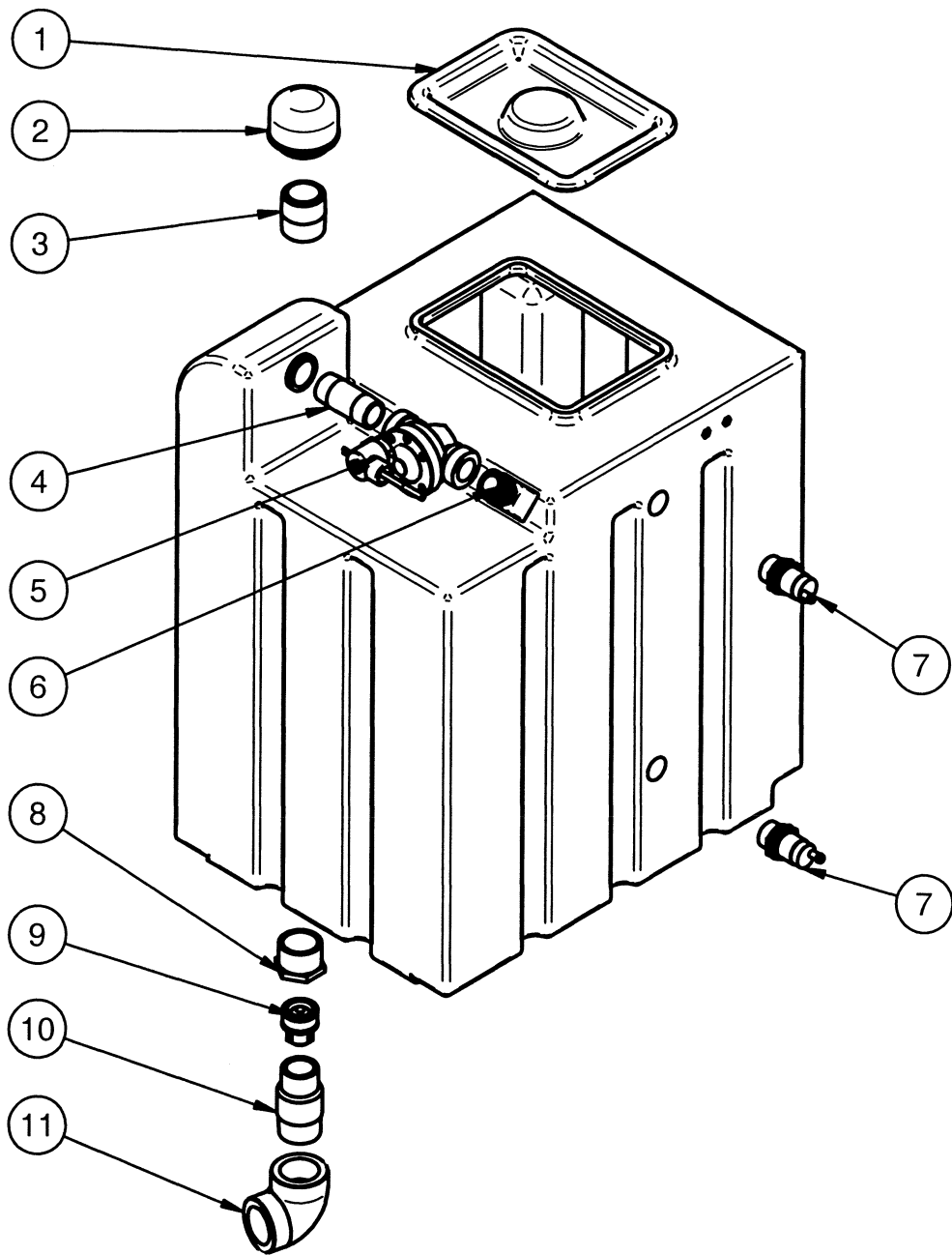
ITEM	PART #	DESCRIPTION
1	03310003	HOSE-BARB,3/8Hx1/4MNPT,BRS
2	67487-4B	ELBOW,STREET,1/4NPT,90DEG,SHORT,SC40,BRS
3	26160	VALVE,REG,1/4NPT,125PSI,W/NUT,MINI
4	03130036	NIPPLE,HEX,1/8"NPT,BRS
5	67011-B4B	NIPPLE,1/4NPTx2.00,SC40,BRS
6	05050065	CLAMP,PIPE,1/4NPT,PP,STANDARD
7	03010140	VALVE,SOL,2WAY,NC,1/4"NPT,24VAC,BRASS
8	67400-4B	ELBOW,PIPE,1/8"NPT,BRS

		PDQ MANUFACTURING, INC. De Pere, WI A  COMPANY
TITLE: AIR VALVE ASSEMBLY 3X FOAM, LWM5		
DRAWING:	REV:	SHEET:
11120033	00	1 OF 1





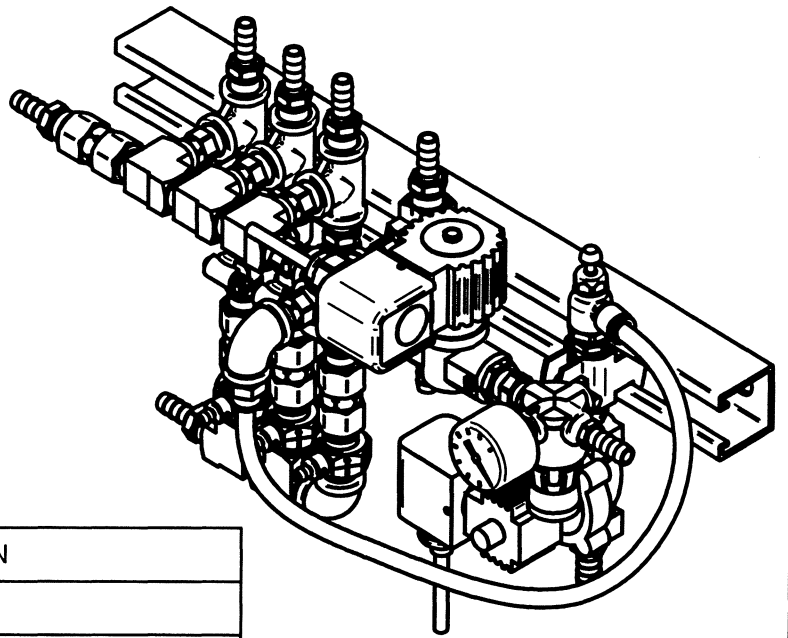
ITEM	PART #	DESCRIPTION
1	03020001	STRAINER,SUCTION,1NPT,SST,100MESH
2	67714-N	BUSHING,1NPTx3/4NPT,NYL
3	67060-4N	NIPPLE,HEX,3/4NPT,NYL
4	M540045	COVER,TANK,6x9-OPENING,BLACK,ABS
5	68117-MHB	HOSE-BARB,1/2Hx1/2MNPT,BRS
6	67013-D4B	NIPPLE,1/2MPTx3.00",SC40,BRS
7	03010042	VALVE,.50,NY/GLS,NC,WATER,24VAC
8	67491-4B	ELBOW,STREET,1/2NPT,90DEG,SC40,BRS
9	04420035	SENSOR,CAPACITIVE,WATER-LEVEL,30mm
10	68123-MHN	HOSE-BARB,3/4Hx3/4MNPT,NYL

		PDQ MANUFACTURING, INC. De Pere, WI A  COMPANY	
TITLE:		WATER TANK LP PUMP LWM5	
DRAWING:	11230004	REV:	00
		SHEET:	1 OF 1





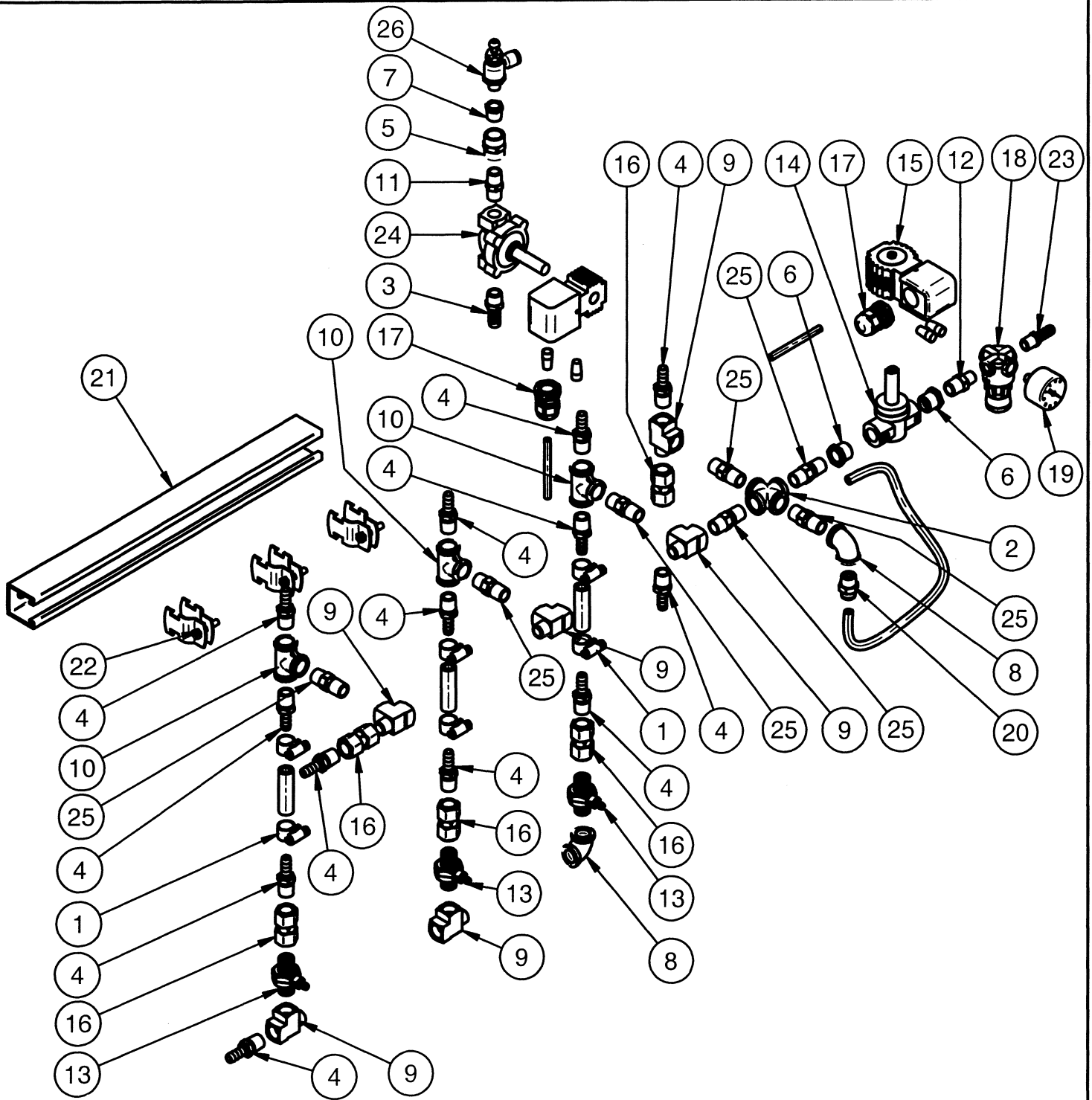
ITEM	PART #	DESCRIPTION
1	M540045	COVER,TANK,6x9-OPENING,BLACK,ABS
2	66101	STRAINER,WATER,1-1/2,SUCT,20MESH,SST
3	67017-8P	NIPPLE,1-1/2xCLOSE,SC80,PVC
4	67015-D4B	NIPPLE,1MPTx3.00",SC40,BRS
5	03010041	VALVE,1.00,NY/GLS,NC,WATER,24VAC
6	03310018	HOSE-BARB,90,1Hx1MNPT,BR
7	04420035	SENSOR,CAPACITIVE,WATER-LEVEL,30mm
	67726-N	BUSHING,PIPE,11/2-11/4
9	03010060	VALVE,CHECK,1-1/2",CRTG-STYLE,PLST/EDPM
10	03130002	NIPPLE,1-1/4x1-1/2MNPTx3",W/CHECKSEAT,PVC
11	03040005	ELBOW,PIPE,90,1-1/2FPT,SC40,PVC



	PDQ MANUFACTURING, INC. De Pere, WI A  COMPANY	
	TITLE: WATER TANK HP PUMP LWM5	
DRAWING: 11230005	REV: 00	SHEET: 1 OF 1

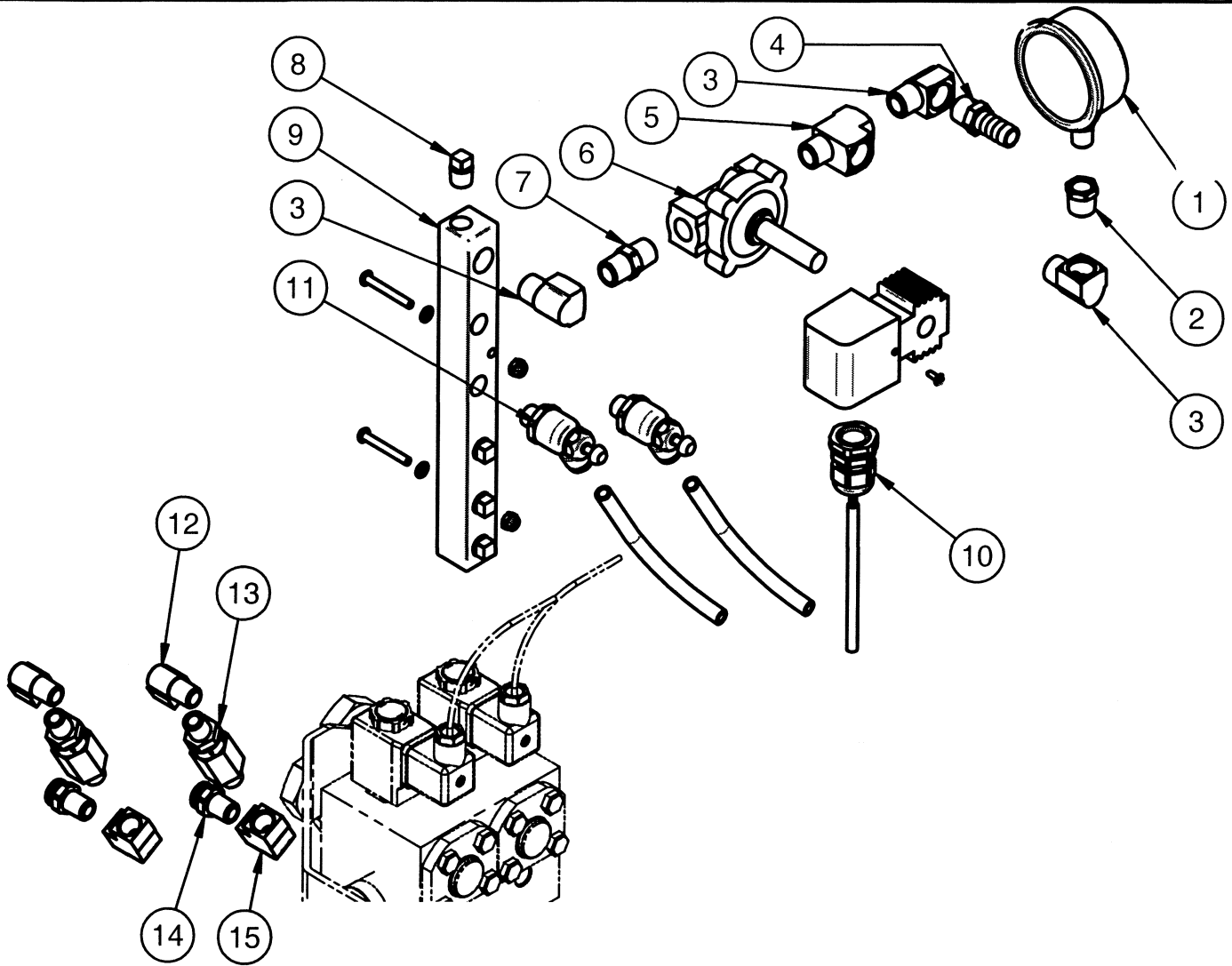


ITEM	PART #	DESCRIPTION
1	75101	CLAMP,HOSE,#6,.38-.50H,SST
2	68410-4B	CROSS,PIPE,3/8"NPT,BRS,SC40
3	68116-MHB	HOSE-BARB,1/2Hx3/8MNPT,BR
4	68112-MHB	HOSE-BARB,3/8Hx3/8MPT,BRS
5	67794-4B	COUPLING,FULL,.38NPT,BR
6	67705-B	BUSHING,1/2NPTx3/8NPT,BRS
7	67702-B	BUSHING,3/8NPTx1/4NPT,BRS
8	67404-4B	ELBOW,3/8NPT,90DEG,SC40,BRS
9	67195-4B	TEE,MALE-RUN,3/8NPT,SC40,BRS
10	67110-4B	TEE,PIPE,.38NPT,SC40,BR
11	67055-4B	NIPPLE,HEX,3/8NPT,BRS
12	67054-4B	NIPPLE,3/8x1/4NPT,HEX,SST
13	63480	INJECTOR,.057,3/8MPTx3/8MPT,SST
14	63305	VALVE SOL 1/2" LP 414P
15	63300	COIL 24V JUNC BOX
16	63137	VALVE,CHECK,3/8FNPT,1500PSI,BR
17	36402	STRAIN-RELIEF,.236-.472",POLY,W/LOCKNUT
18	26160	VALVE,REG,1/4NPT,125PSI,W/NUT,MINI
19	25031	GAUGE,PRES,0-160PSI,1/8NPT,CBM,1.50"
20	24038-PB	TUBE-FTG,CONN,3/8Tx3/8NPT,PUSH,BRS
21	06450008	CHANNEL,MOUNTING-RAIL,41x41x457mm,GALVS
22	05050038	CLAMP,STRUT,3/4,GALV
23	03310003	HOSE-BARB,3/8Hx1/4MNPT,BRS
24	03010110	VALVE,DIAPHRAM,3/8,BRASS,1-150PSI,24VAC
25	03010080	VALVE,CHECK,3/8MPT,500PSI,SPRING,LIQ,BR
26	03010040	VALVE,FLOW-CTRL,1/4MPTx.38T,PLSTC



		PDQ MANUFACTURING, INC. De Pere, WI A  COMP	
TITLE: MANIFOLD FREEZE PROTECT LWM5 3X FOAM			
DRAWING: 11250050		REV: 00	SHEET: 1 OF 2




		PDQ MANUFACTURING, INC. De Pere, WI A  COMPANY
TITLE: MANIFOLD FREEZE PROTECT LWM5 3X FOAM		
DRAWING: 11250050	REV: 00	SHEET: 2 OF 2

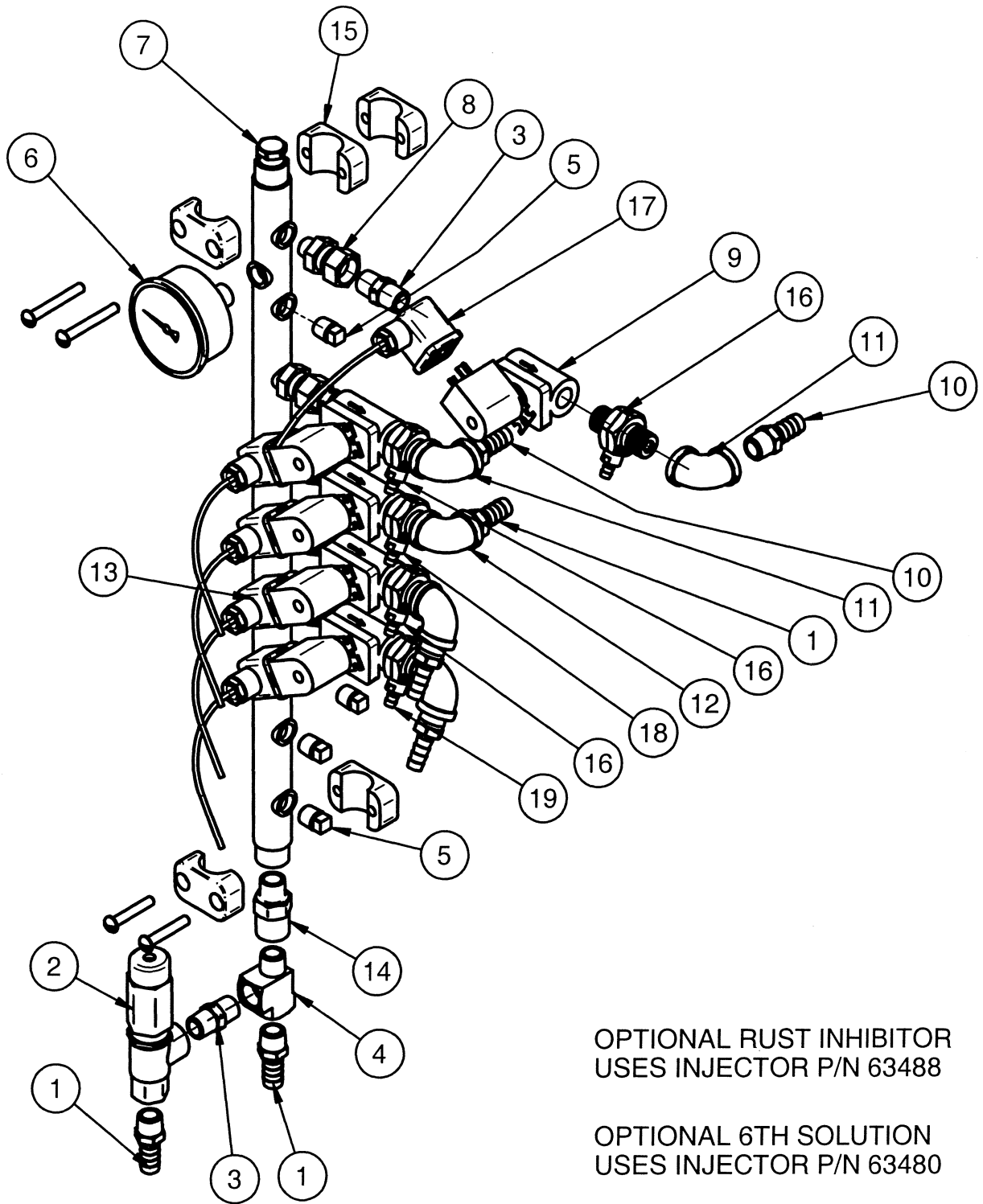


ITEM	PART #	DESCRIPTION
1	25024	GAUGE,PRES,0-100PSI,LG-A-5,2.50",LIQ
2	67702-B	BUSHING,3/8NPTx1/4NPT,BRS
3	67489-4B	ELBOW,STREET,3/8NPT,90DEG,SC40,BRS
4	68116-MHB	HOSE-BARB,1/2Hx3/8MNPT,BR
5	67195-4B	TEE,MALE-RUN,3/8NPT,SC40,BRS
6	03010110	VALVE,DIAPHRAM,3/8,BRASS,1-150PSI,24VAC
7	67055-4B	NIPPLE,HEX,3/8NPT,BRS
8	67603-B	PLUG,PIPE,1/4"NPT,SQ-HD,BRS
9	M360084	MANIFOLD,WEEP,LW4K
10	36402	STRAIN-RELIEF,.236-.472",POLY,W/LOCKNUT
11	03010040	VALVE,FLOW-CTRL,1/4MPTx.38T,PLSTC
12	67487-4B	ELBOW,STREET,1/4NPT,90DEG,SHORT,SC40,BRS
13	63173	VALVE,CHECK,1/4,MALE,3000PSI,BR
14	24036-PB	TUBE-FTG,CONN,3/8Tx1/4NPT,PUSH,BRS
15	67402-4B	ELBOW,1/4NPT,90DEG,SC40,BRS

		PDQ MANUFACTURING, INC. De Pere, WI 	
TITLE: WEEP MANIFOLD LWM5			
DRAWING: 11250070		REV: 00	SHEET: 1 OF 1



ITEM	PART #	DESCRIPTION
	68116-MHB	HOSE-BARB,1/2Hx3/8MNPT,BR
2	63177	VALVE,RELIEF,.38,BRASS,350PSI
3	67055-4B	NIPPLE,HEX,3/8NPT,BRS
4	67195-4B	TEE,MALE-RUN,3/8NPT,SC40,BRS
5	67603-B	PLUG,PIPE,1/4"NPT,SQ-HD,BRS
6	25046	GAUGE,PRES,0-400PSI,1/4cbm,LIQ,2-1/2
7	67652-B	PLUG,PIPE,HEX,3/8MPT,BRS
8	44553-S	ADAPTER,.38F-SWIVELx.25MPT,SST
9	03010121	VALVE,.38,SST,NC,150PSI,24VAC,DIN
10	68116-MHS	HOSE-BARB,.50Hx.38MPT,SST
11	67404-4S	ELBOW,3/8NPT,90DEG,SC40,SST
12	67404-4B	ELBOW,3/8NPT,90DEG,SC40,BRS
13	03220136	MANIFOLD,SOLUTION,M5,SST
14	03010101	VALVE,CHECK,.38,BRS,SST-INTL,FPTxMPT
15	75016	CLAMP,TUBE,1",PP,STANDARD
3	63487	INJECTOR,.086,3/8MPTx3/8MPT,SST
17	63042	PLUG,DIN,18MM,PLST
18	63486	INJECTOR,.083,3/8MPTx3/8MPT,SST
19	63480	INJECTOR,.057,3/8MPTx3/8MPT,SST

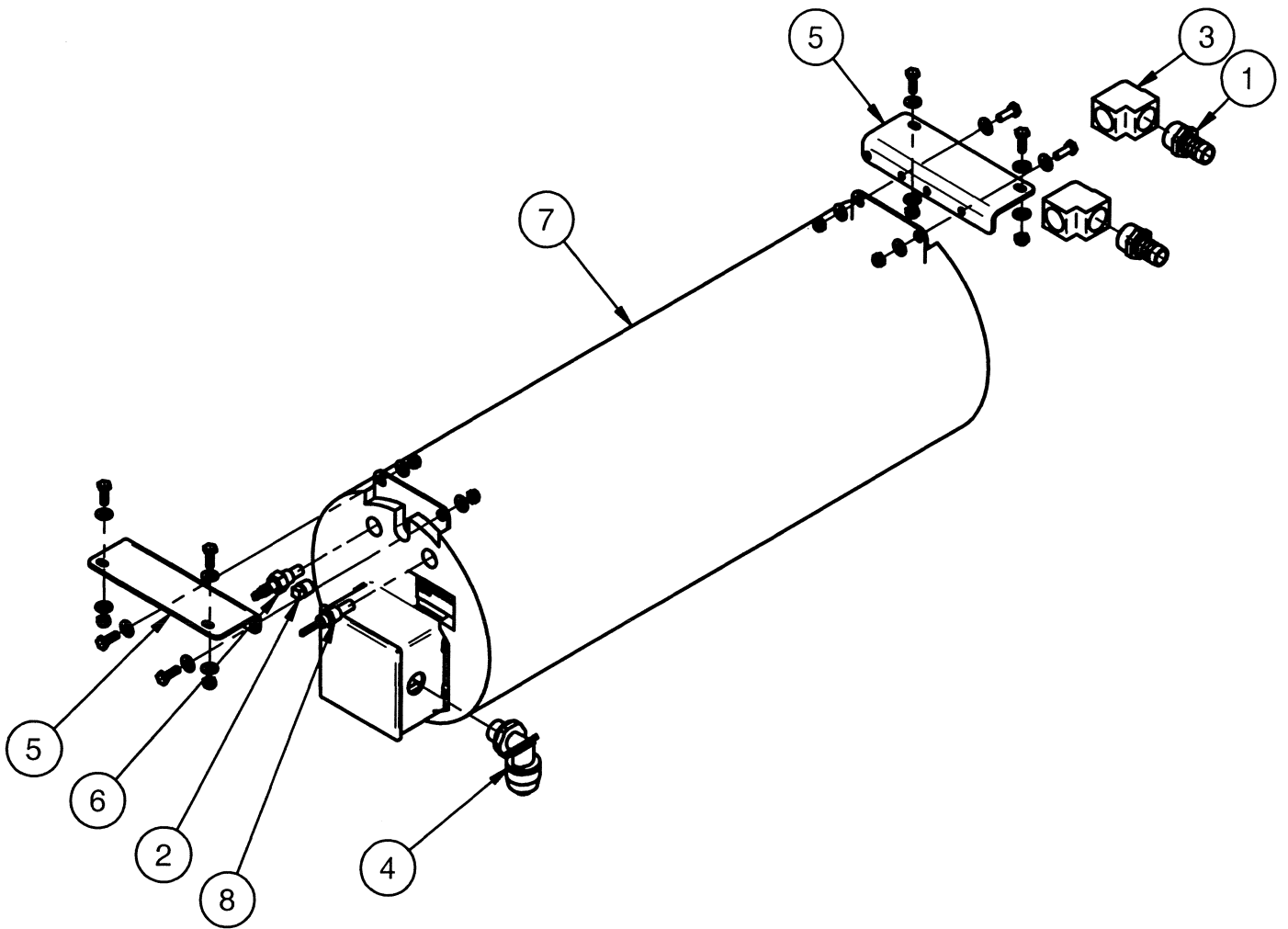
		PDQ MANUFACTURING, INC. De Pere, WI A CRATED COMPANY
TITLE: MANIFOLD,SOLUTION,LWM5 STANDARD MACHINE		
DRAWING: 11250074	REV: 01	SHEET: 1 OF 2



OPTIONAL RUST INHIBITOR
 USES INJECTOR P/N 63488


OPTIONAL 6TH SOLUTION
 USES INJECTOR P/N 63480

		PDQ MANUFACTURING, INC. De Pere, WI a  COMPANY	
TITLE: MANIFOLD, SOLUTION, LWM5 STANDARD MACHINE			
DRAWING: 11250074		REV: 01	SHEET: 2 OF 2



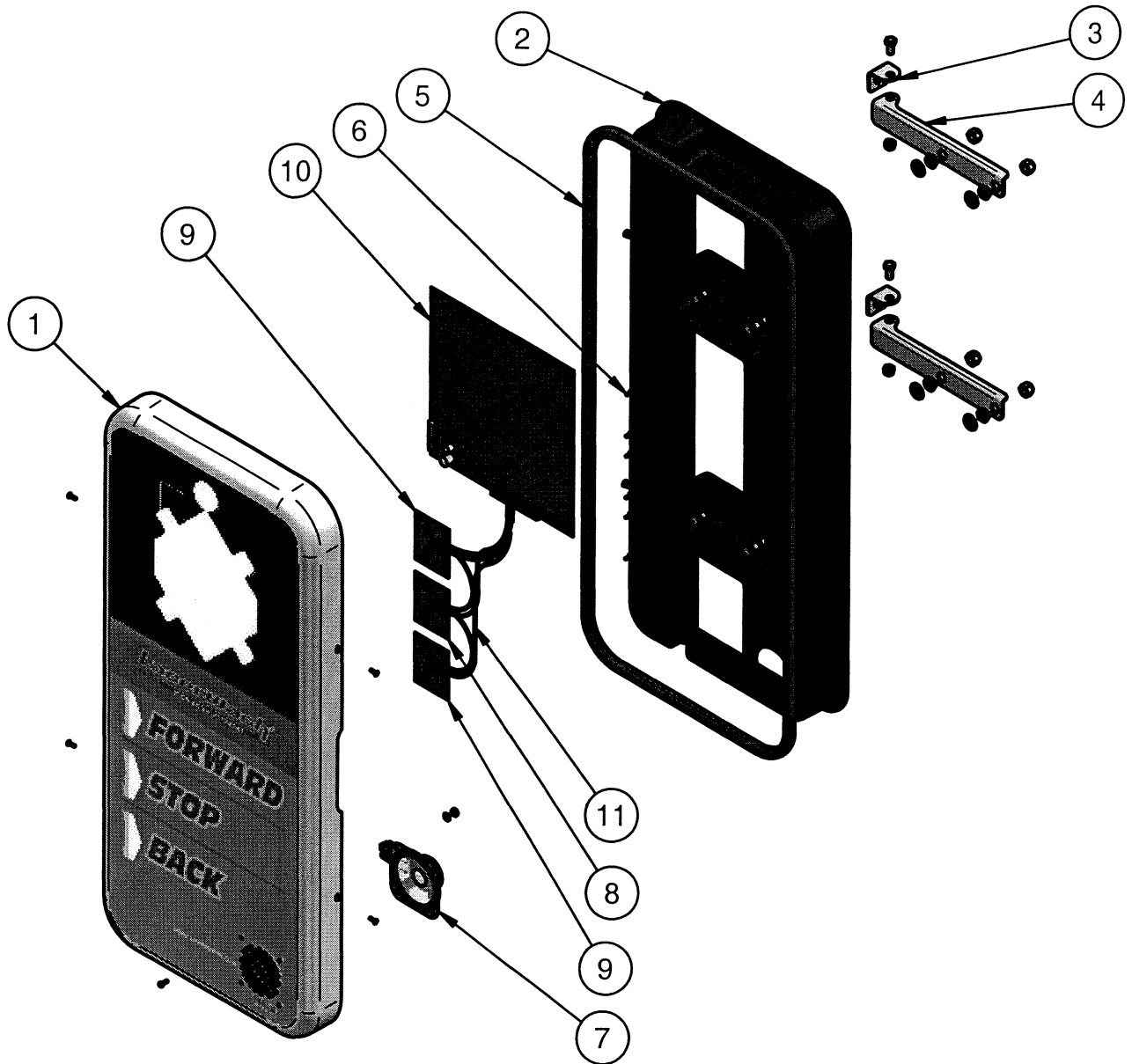
ITEM	PART #	DESCRIPTION
1	68123-MHB	HOSE-BARB,3/4HX3/4MNPT,BRS
2	67603-B	PLUG,PIPE,1/4"NPT,SQ-HD,BRS
3	67408-4B	ELBOW,PIPE,3/4NPT,SC40,BRS
4	36084	CONNECTOR,CONDUIT,1/2,ADJUSTABLE,PVC
5	06140460	BRACKET,HEATER-TANK,M5
6	04420030	SENSOR,TEMP,0-212F,2-5VDC,.25MPT
7	SEE TABLE	HEATER,TANK,10KW,208VAC,3PH,M5
8	04040021	SWITCH,TEMP,157F,1A,24VAC,.25MPT,SST

TABLE	
Description	Tank P/N
208V	04190025
220-240V	04190026
380V	04190027



PDQ MANUFACTURING, INC.
 De Pere, WI
 A **COOPER** COMPANY

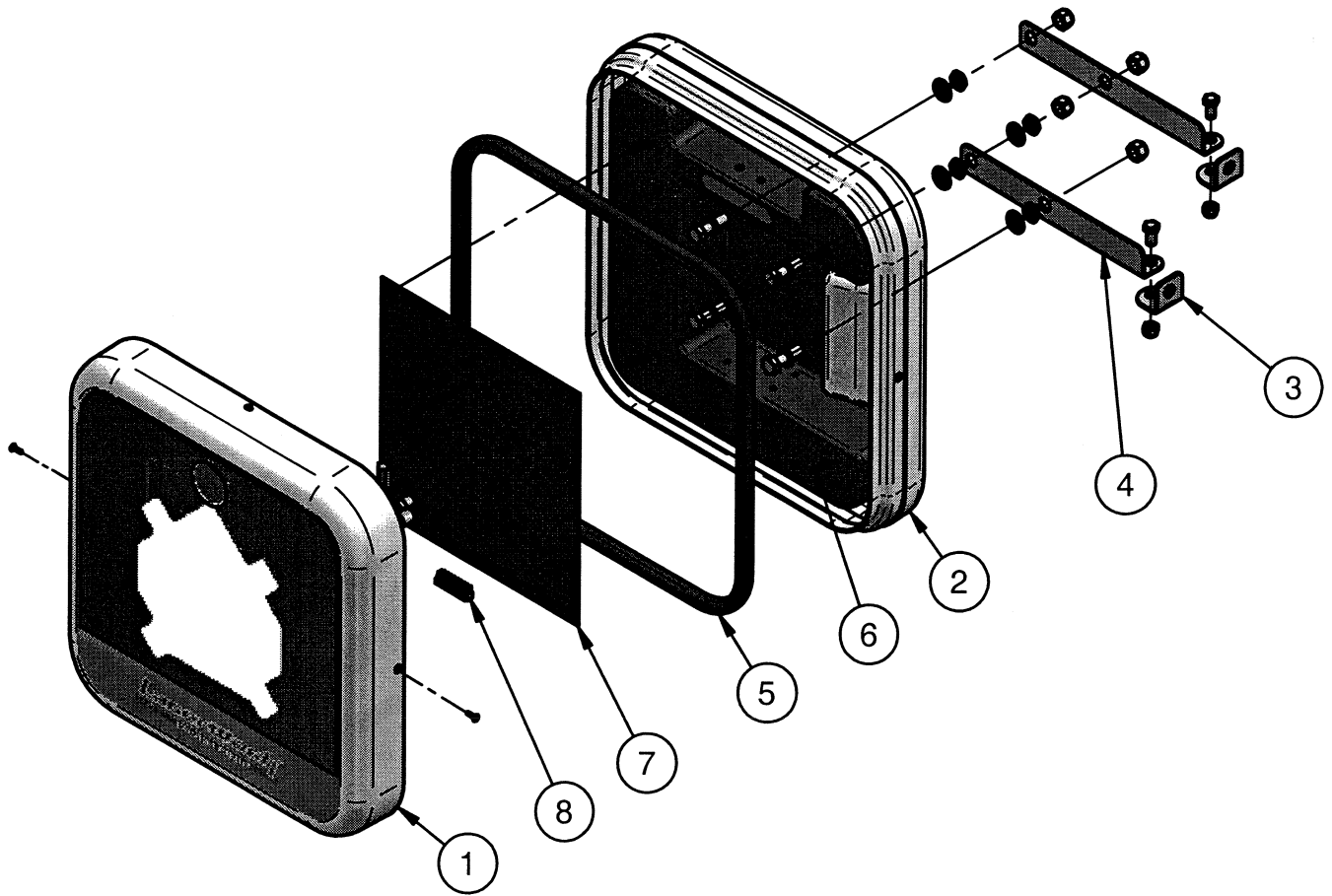
TITLE: M5 WATER HEATER, 10KW

DRAWING:	REV:	SHEET:
11270011	00	1 OF 1





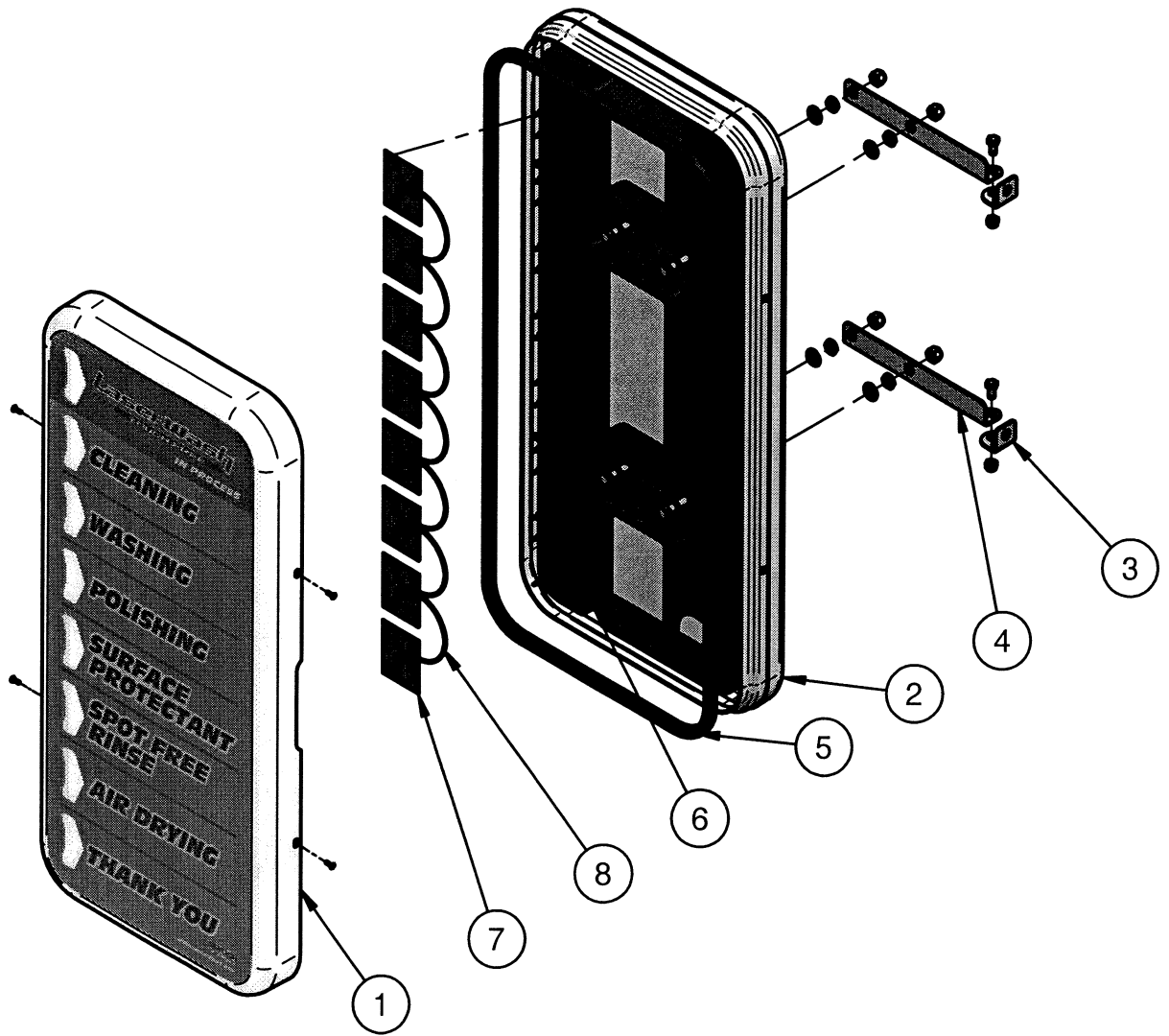
ITEM	PART #	DESCRIPTION
1	06420031	SIGN-FACE,IN-BAY,M5
2	06240060	PANEL,SIGN,18x39,MOLDED,BACK,IN-BAY/CONF
3	06140449	BRACKET,SIGN,INBAY/CONFIRM,NON-ADJ,WALL
4	06140439	BRACKET,SIGN,INBAY/CONFIRM,NON-ADJ,SIGN
5	06070029	GASKET,HOUSING,IN-BAY-SIGNS,NPRN
6	05130025	STAND-OFF,SNAP-IN,PCB-MT,INBAY/CONFIRM
7	04650001	SPEAKER,6W/10W,8-Ohms,102mm,MYLAR-C,RJ12
3	04580028	CIRCUIT-BOARD,LED,CHEVRON,RED
9	04580027	CIRCUIT-BOARD,LED,CHEVRON,GREEN
10	04580021	CIRCUIT-BOARD,COMMON-SMART-SIGN,COMPLETE
11	04080077	HARNESS,SIGN,IN-BAY,LWM5

		PDQ MANUFACTURING, INC. De Pere, WI A SPECTRUM COMPANY	
TITLE: INBAY INSTRUCTIONAL SIGN LWM5			
DRAWING: 11310007		REV: 00	SHEET: 1 OF 1





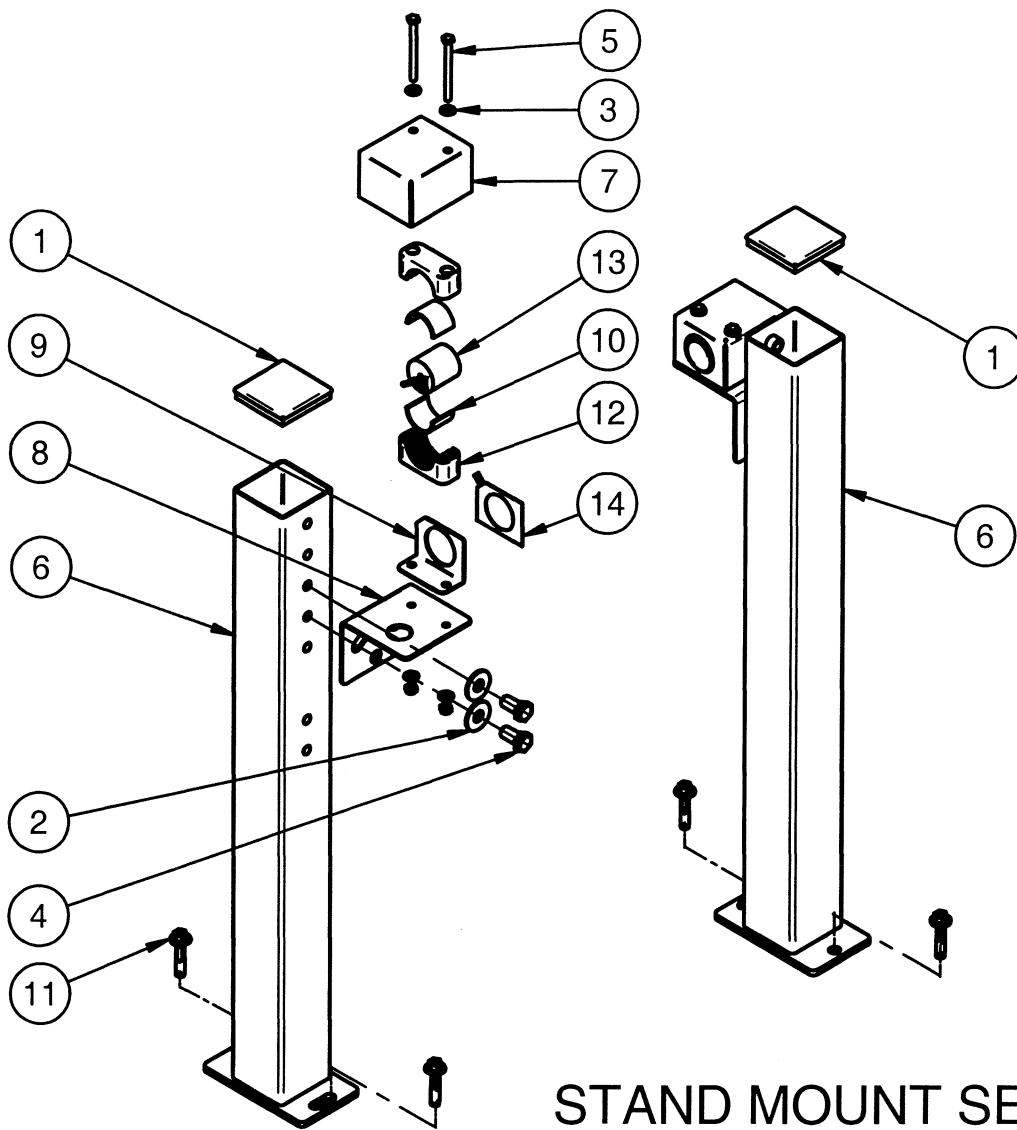
ITEM	PART #	DESCRIPTION
1	06420033	SIGN-FACE,ENTRANCE,M5
2	06240061	PANEL,SIGN,18x18,MOLDED,BACK,ENTRANCE
3	06140449	BRACKET,SIGN,INBAY/CONFIRM,NON-ADJ,WALL
4	06140439	BRACKET,SIGN,INBAY/CONFIRM,NON-ADJ,SIGN
5	06070030	GASKET,HOUSING,ENTRANCE-SIGN,NPRN
6	05130025	STAND-OFF,SNAP-IN,PCB-MT,INBAY/CONFIRM
7	04580031	CIRCUIT-BOARD,ENTRANCE-SIGN,COMPLETE
8	04560016	PLUG,PCB,9PIN,5mm,250V/10A,14-24AWG,GRN

		PDQ MANUFACTURING, INC. De Pere, WI 	
TITLE: WASH ENTRANCE SIGN LWM5			
DRAWING: 11310008		REV: 00	SHEET: 1 OF 1





ITEM	PART #	DESCRIPTION
1	06420032	SIGN-FACE,CONFIRMATION,M5
2	06240060	PANEL,SIGN,18x39,MOLDED,BACK,IN-BAY/CONF
3	06140449	BRACKET,SIGN,INBAY/CONFIRM,NON-ADJ,WALL
4	06140439	BRACKET,SIGN,INBAY/CONFIRM,NON-ADJ,SIGN
5	06070029	GASKET,HOUSING,IN-BAY-SIGNS,NPRN
6	05130025	STAND-OFF,SNAP-IN,PCB-MT,INBAY/CONFIRM
7	04580027	CIRCUIT-BOARD,LED,CHEVRON,GREEN
8	04080078	HARNES,SIGN,CONFIRMATION,LWM5

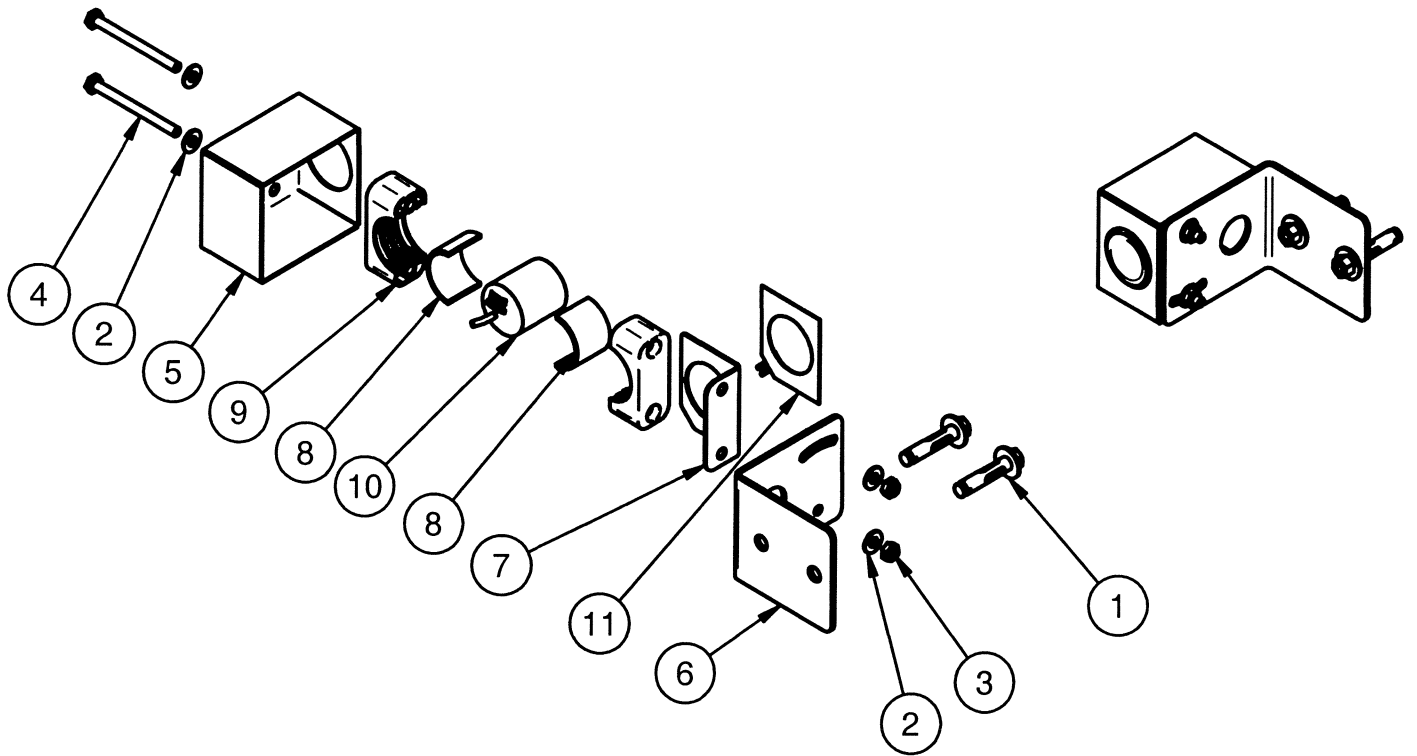
		PDQ MANUFACTURING, INC. De Pere, WI A  COMPANY
TITLE: CONFIRMATION SIGN LWM5		
DRAWING: 11310009	REV: 00	SHEET: 1 OF 1



STAND MOUNT SENSOR


ITEM	PART #	DESCRIPTION
1	M690049	CAP,ABS,BLACK,3x3x.083-TUBE
2	71515-FSS	WASHER,1/2,FLAT,SST
3	71511-FS	WASHER,1/4,FLAT,SST
4	70255-HCS	SCREW,1/2-13x1.00,HHCS,SST
5	70118-HCS	SCREW,1/4-20x3.00,HHCS,SST
6	06250008	FRAME,VIRTUAL-TREADLE,LW4K,ULTRASONIC
7	06160254	COVER,ULTRASONIC,SST,LWM5
8	06140674	BRACKET,FLOOR-STAND,LW4K/M5,ULTRASONIC
9	06140479	BRACKET,MOUNT,ULTRASONIC,HEAT,G5-S
10	06060015	CUSHION,ULTRASONIC-MOUNT,SILICONE
11	05180019	ANCHOR,CONCRETE,SLEEVE,3/8x1.875",SST
12	05050064	CLAMP,PIPE,1-1/4NPTx2.75x1.125,PA
13	04420036	SENSOR,ULTRASONIC,75kHz,60'CBL,1.5"DIA
14	04190024	HEATER,STRIP,20W,24VAC,42mmHOLE

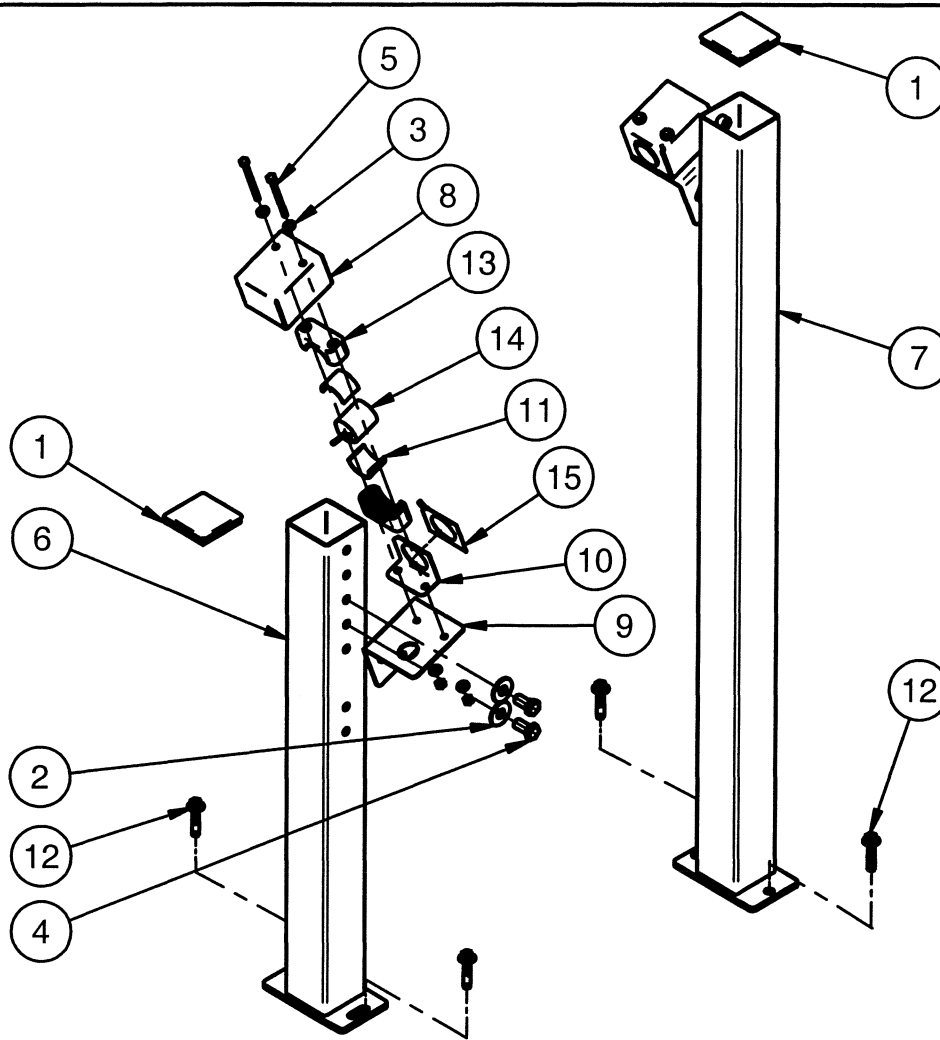
		PDQ MANUFACTURING, INC. De Pere, WI A  COMPANY	
TITLE: ULTRASONIC STAND OPTION LWM5			
DRAWING: 09100100		REV: 00	SHEET: 1 OF 2





WALL MOUNT SENSOR

ITEM	PART #	DESCRIPTION
1	78015	ANCHOR,SLEEVE,3/8x1-7/8",ZNC-PLD
2	71511-FS	WASHER,1/4,FLAT,SST
3	71011-NCS	NUT,1/4-20,HEX,LOCK,SST
4	70118-HCS	SCREW,1/4-20x3.00,HHCS,SST
5	06160254	COVER,ULTRASONIC,SST,LWM5
6	06140572	BRACKET,ULTRASONIC-MOUNT,WALL
7	06140479	BRACKET,MOUNT,ULTRASONIC,HEAT,G5-S
3	06060015	CUSHION,ULTRASONIC-MOUNT,SILICONE
9	05050064	CLAMP,PIPE,1-1/4NPTx2.75x1.125,PA
10	04420036	SENSOR,ULTRASONIC,75kHz,60"CBL,1.5"DIA
11	04190024	HEATER,STRIP,20W,24VAC,42mmHOLE

		PDQ MANUFACTURING, INC. De Pere, WI A SCHROEDER COMPANY
TITLE: ULTRASONIC STAND OPTION LWM5		
DRAWING: 09100100	REV: 00	SHEET: 2 OF 2



ITEM	PART #	DESCRIPTION
1	M690049	CAP,ABS,BLACK,3x3x.083-TUBE
2	71515-FSS	WASHER,1/2,FLAT,SST
3	71511-FS	WASHER,1/4,FLAT,SST
4	70255-HCS	SCREW,1/2-13x1.00,HHCS,SST
5	70118-HCS	SCREW,1/4-20x3.00,HHCS,SST
6	06250008	FRAME,VIRTUAL-TREADLE,LW4K,ULTRASONIC
7	06250006	FRAME,VIRTUAL-TREADLE,LW4K,DRIVER
8	06160254	COVER,ULTRASONIC,SST,LWM5
9	06140674	BRACKET,FLOOR-STAND,LW4K/M5,ULTRASONIC
10	06140479	BRACKET,MOUNT,ULTRASONIC,HEAT,G5-S
11	06060015	CUSHION,ULTRASONIC-MOUNT,SILICONE
12	05180019	ANCHOR,CONCRETE,SLEEVE,3/8x1.875",SST
13	05050064	CLAMP,PIPE,1-1/4NPTx2.75x1.125,PA
14	04420036	SENSOR,ULTRASONIC,75kHz,60'CBL,1.5"DIA
15	04190024	HEATER,STRIP,20W,24VAC,42mmHOLE

		PDQ MANUFACTURING, INC. De Pere, WI 	
TITLE: ULTRASONIC STAND, LWM5 UNDER-CARRIAGE			
DRAWING: 09100112		REV: 00	SHEET: 1 OF 1