



## Access Gen3 Pictorial Parts Catalog

---



**Table of Contents**

	<u>Assembly Item</u>	<u>Page</u>
<b>Entry Units</b>		
N/B Series Common Enclosure Components	11010310 .....	7
Standard N Series Door Components	09030145 .....	9
Standard B Series Common Door Components	09030144 .....	11
EMV N Series Common Door Components	09030109 .....	16
EMV B Series Common Door Components	09030108 .....	18
S Series Entry Unit	09030146 .....	25
S Series Common Enclosure Components	11010344 .....	26
S Series Common Door Components	11010339 .....	28
S Series Vault Assembly	11110034 .....	31
Standard Entry Unit Controller	11010331 .....	33
EMV Entry Unit Controller	11010279 .....	34
EMV Components – Payment Express	04540104 .....	35
EMV Components – Moneris Payment Systems	04540105 .....	36
<b>Accessory Components</b>		
I/O Kit	11010096 .....	39
Intercom Package	09110036 .....	40
Vehicle Present Sensor	09160012 .....	41
POS Surge Suppression	11350301 .....	43
Long Range RFID	09030078 .....	44
<b>Install Systems and Image Packages (Without PayGlow)</b>		
N/B Series Pedestal Assembly	11080039 .....	47
N/B Series Basic Image Package for Pedestal Mounted Units	09110102 .....	48
N/B series Bricked-In Image Package	09110103 .....	49
S Series Surface Install Package	09110032 .....	50
S Series Basic Image Package for Surface Mounted Units	09110090 .....	51
S Series Advanced Image Package for Surface Mounted Units	09110035 .....	52
S Series Bricked-In Image Package	09110101 .....	53
<b>PayGlow</b>		
N/B Series PayGlow for Pedestal Mounted Units	09100187 .....	57
N/B Series Light Kit for Pedestal Mounted Units	11310110 .....	58
N/B Series Light Kit for Bricked In Units	11310111 .....	59
S Series Standard PayGlow for Surface Mounted Units	09100182 .....	60
S series Standard Light Kit for Surface Mounted Units	11310105 .....	61
S Series Standard PayGlow for Bricked In Units	11310107 .....	62
S Series Advanced PayGlow for Surface Mounted Units	09100183 .....	63
S Series Advanced PayGlow for Surface Mounted Units	11310106 .....	64

**Access Gate**

Wash Entry Gate Kit	09030060	.....	67
Gate Assembly	11310046	.....	68
Air Regulator	11030104	.....	70
Photo Eye Reflector	11410007	.....	71



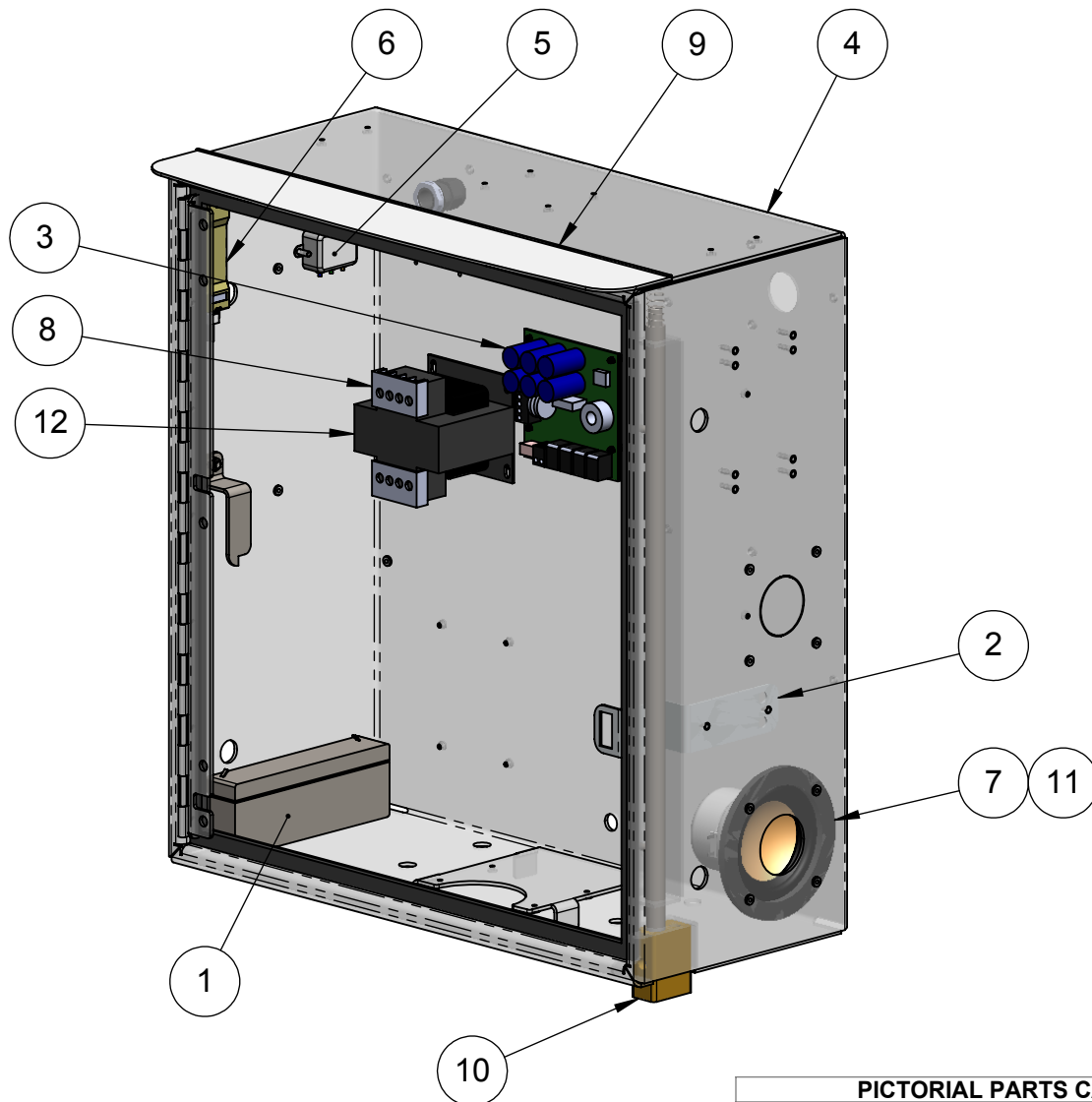


## ENTRY UNITS

---



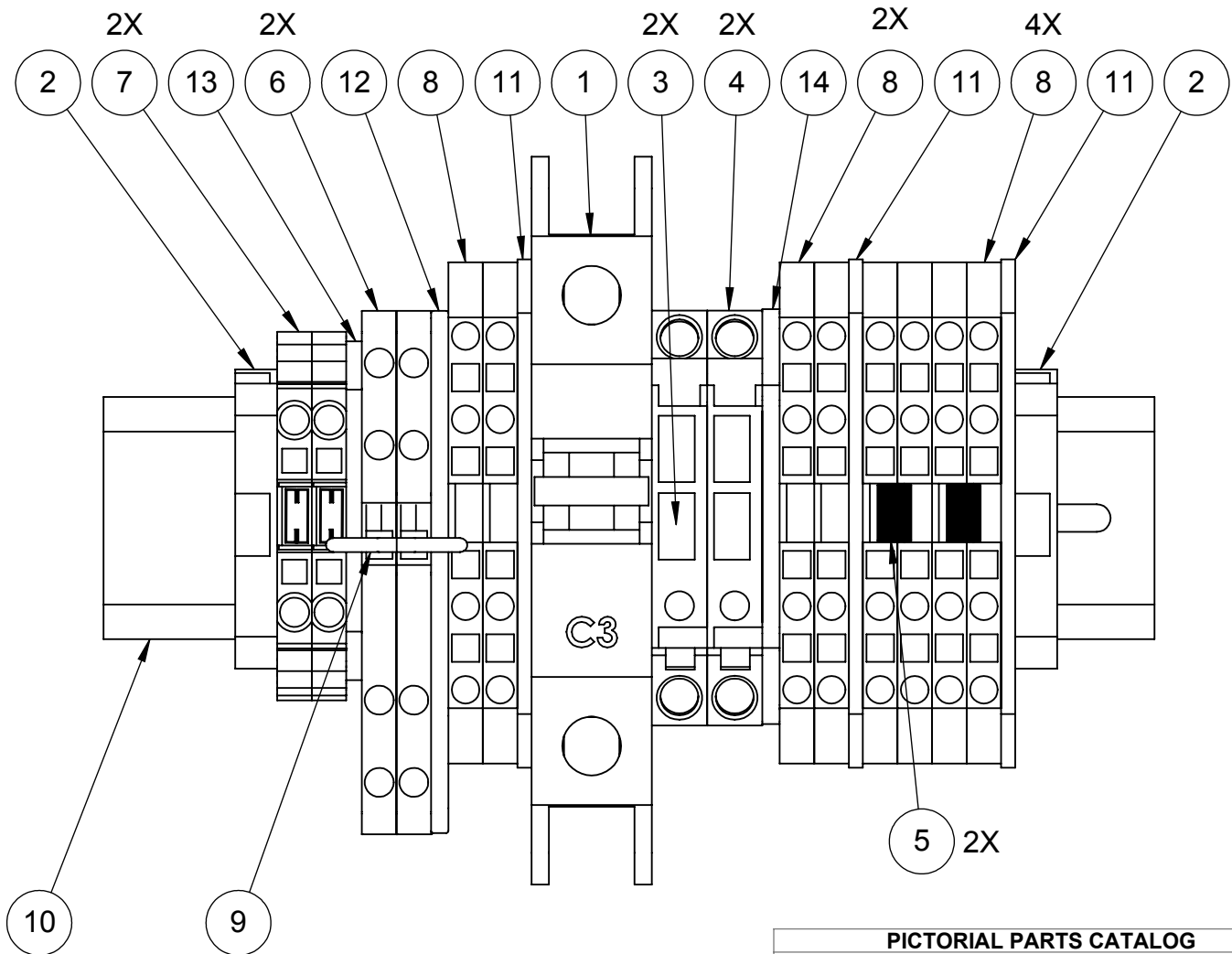
ITEM	PART #	DESCRIPTION
1	04170017	BATTERY,12V,2.3Ah,LEAD-ACID,SEALED,W/CBL
2	06141023	BRACKET,DOOR-ALARM,SWITCH-HOLDER,ACCESS
3	04580007	CIRCUIT-BOARD,POWER-SUPPLY,ACCESS
4	04090165	ENCLOSURE,ENTRY-UNIT,W/DR-FLG,ACCESS-N/B
5	04410015	FILTER,EMI-LINE,5A,115/240VAC,LEADS
6	04410016	FILTER,SURGE,ETHERNET,RJ45,W/CABLE+TAPE
7	06070053	GASKET,SPEAKER-ADAPTER,SBR
8	06161015	GUARD,FINGER,XFMR,100/250VA,HAMMOND
9	06160309	GUARD,RAIN-GUIDE,DRIP-EDGE,PLST
10	06490020	LOCK,KEYED-DIFFERENT,DOOR,ACCESS
11	04550006	SPEAKER-W/CABLE,ACCESS
12	04170032	TRANSFORMER,120/240VAC,24VAC,250VA






COMMON ENCLOSURE COMPONENTS  
GEN3 ACCESS B/N SERIES

PICTORIAL PARTS CATALOG		
DESCRIPTION: COMMON ENCL CMPNT, B/N-SERIES		
DWG. NO.	REV	SHEET
11010310	00	1 OF 2
VEHICLE WASH SYSTEMS		PART OF OPW

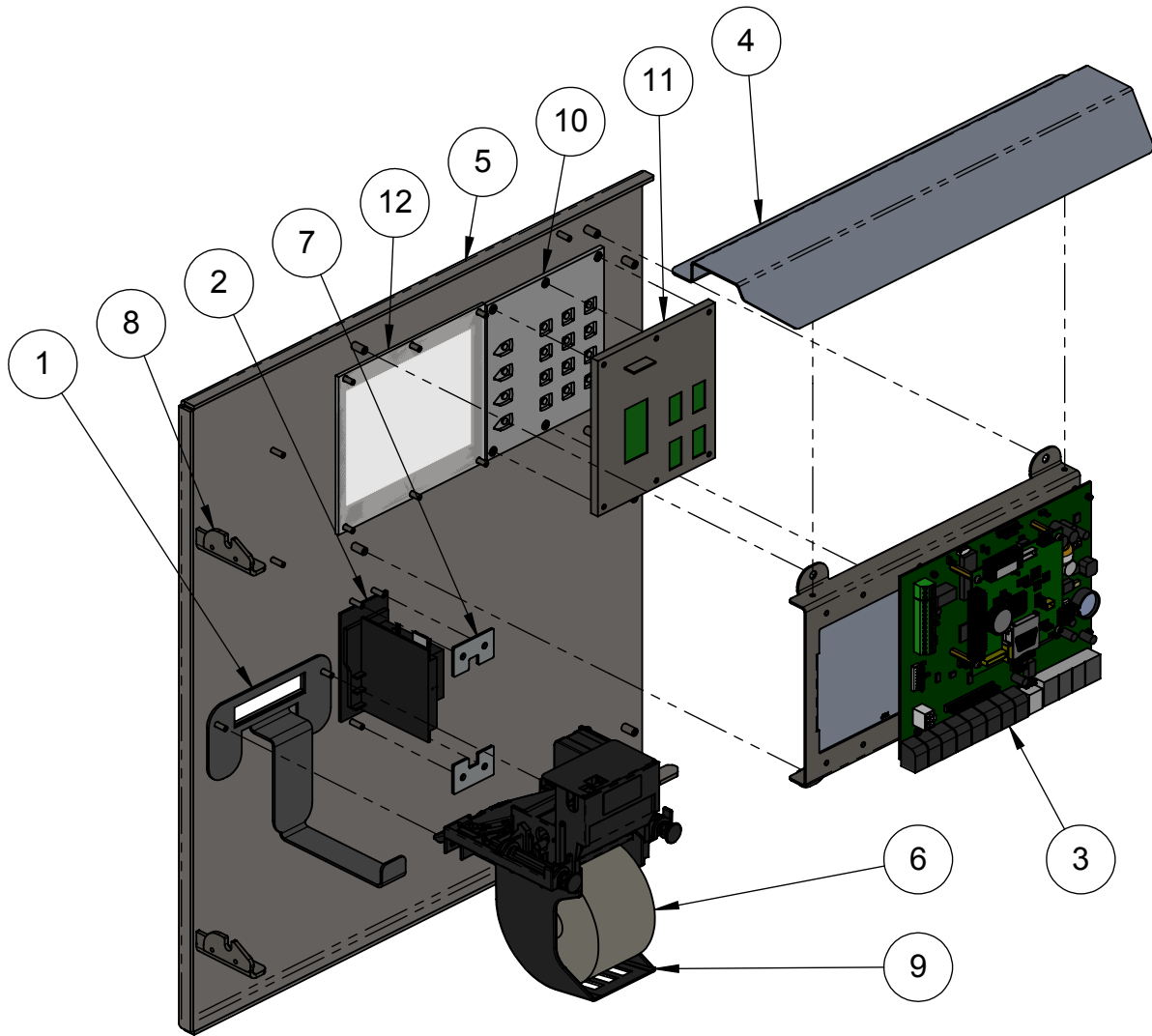
ITEM	PART #	DESCRIPTION
1	37627	CIRCUIT-BREAKER,3A,1P,C,277V,UL-489
2	36650	END-STOP,6mm,PLST,GRAY,249-116
3	37315	FUSE,4A,5X20MM,SLO-BLO,GLASS
4	36514	FUSE-HOLDER,TERMINAL BLK,5x20mm
5	36800	JUMPER,INSULATED,GRAY
6	04100024	TERMINAL,GROUND,28-12AWG,4-COND,YEL-GRN
7	36506	TERMINAL-BLK,26-12GA,2P,PLST,280-601
8	36507	TERMINAL-BLK,26-14GA,4P,GRAY
9	04100096	TERMINAL-JUMPER,WIRE,2P,WAGO
10	36950-6.00	DIN-RAIL,35mmx6.00",AL
11	36607	END PLATE,FRONT,4P,280-317,ORANGE
12	36503	TERMINAL,END-PLATE,.098X2.95,ORANGE,WAGO
13	36606	END-PLATE,FRONT,2P,PLST,280-331
14	36612	END PLATE FUSE HLDR 281-311



COMMON ENCLOSURE COMPONENTS  
GEN3 ACCESS B/N SERIES

PICTORIAL PARTS CATALOG		
DESCRIPTION: COMMON ENCL CMPNT, B/N-SERIES		
DWG. NO.	REV	SHEET
11010310	00	2 OF 2
		
VEHICLE WASH SYSTEMS		
PART OF OPW		

ITEM	PART #	DESCRIPTION
1	06141024	BRACKET,HECON-PRINTER,SUPPORT&HOLD,ACC
2	04540053	CARD-READER,MAG-STRIPE,TTL,5V,DUAL-HEAD
3	11010331	CONTROLLER,STANDARD,TITAN,ACCESS
4	06161026	COVER,FORMED,CONTROLLER,SMART,CARD,ACC
5	06240920	DOOR,STD,ACCESS-N
6	08100001	PAPER,PRINTER,RECEIPT,THERMAL,60mm-ROLL
7	06240283	PLATE,HOLDER,CARD-READER,AL,ACCESS
8	06240166	PLATE,LOCK,PIN-SLOT,SST,ACC-N/B
9	04540071	PRINTER,THERMAL,RS232,24VDC,HECON,C56
10	04040025	SWITCH,PAD,RUBBER-BUTTON,4x4,ACCESS
11	04040024	SWITCH,PIEZO,4x4,SEALED,W/SHD-CBL,KEYPAD
12	06240351	WINDOW,PLATE,ACRYLIC,KEYPAD-MOD,GEN2

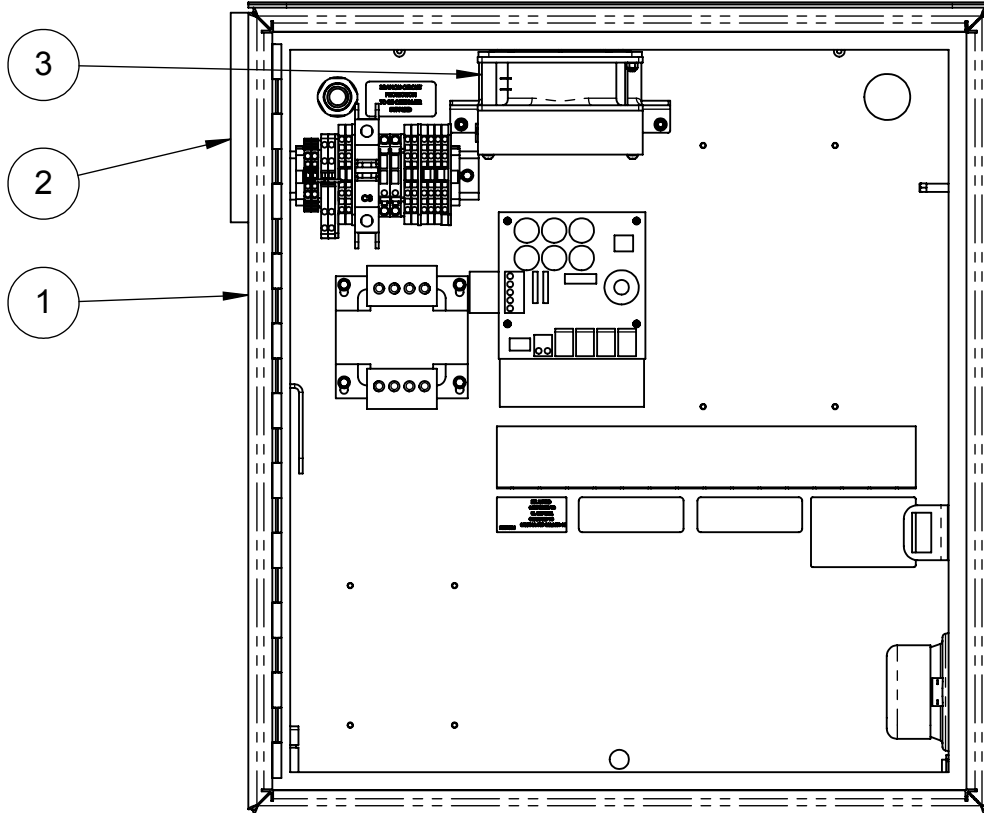


04200046 - PRINTERCOMMUNICATION CABLE

DOOR COMPONENTS  
STANDARD N-SERIES

PICTORIAL PARTS CATALOG		
DESCRIPTION: ENTRY-UNIT,ACCESS-N,STD,GEN3		
DWG. NO. 09030145	REV 00	SHEET 1 OF 2
VEHICLE WASH SYSTEMS		PART OF OPW
		DOVER COMPANY




ITEM	PART #	DESCRIPTION
1	11010310	CONTROL-BOX,COMMON,ACCESS-N/B,GEN3
2	04080152	HARNESS,KIT,ACCESS,N-SERIES
3	11270020	HEATER,FAN/OPEN-COIL,120VAC,ASSY,ACCESS



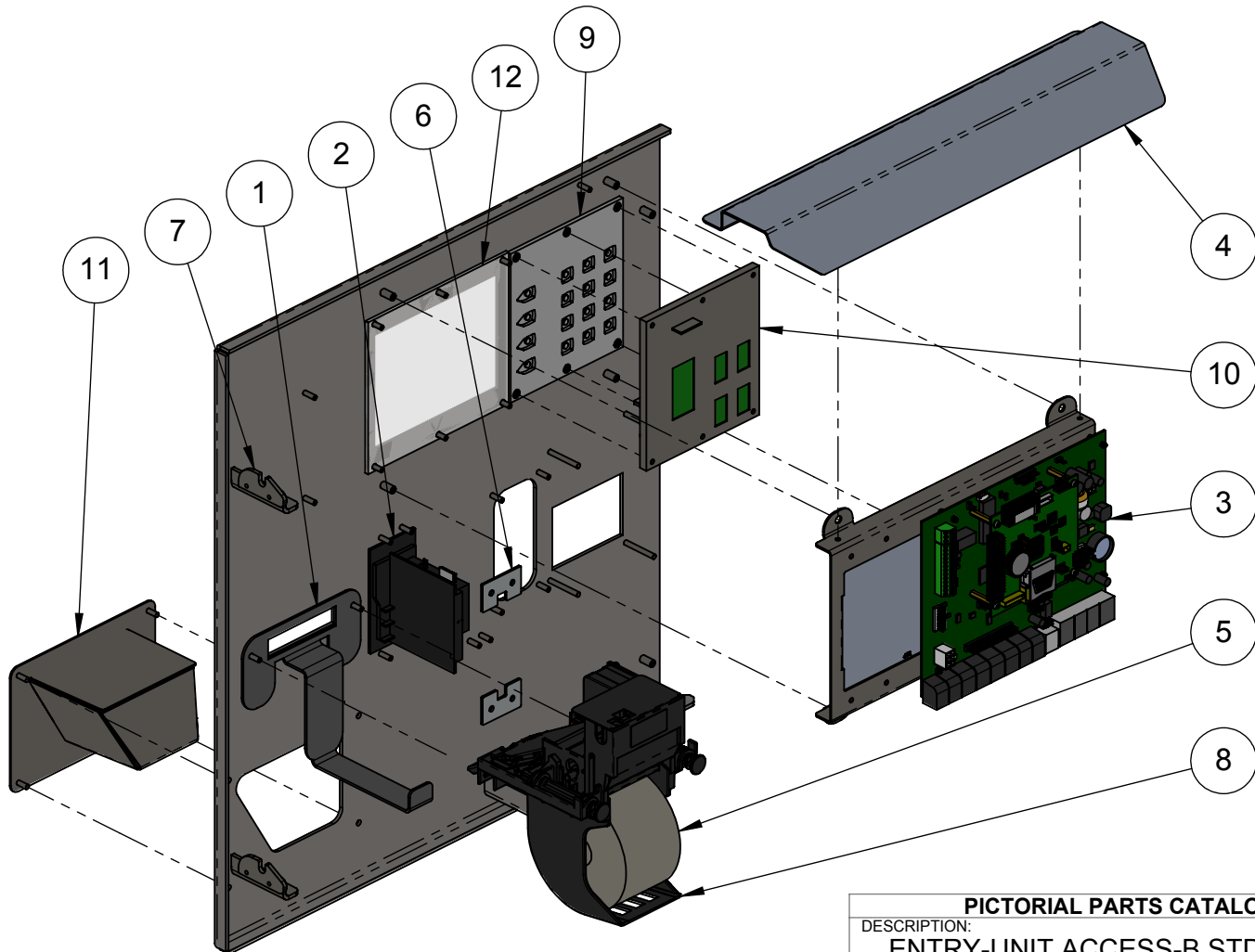
HARNESS KIT 04080152 INCLUDES THE FOLLOWING:

- 04040030 - DOOR SWITCH AND CABLE
- 04200025 - CONTROLLER POWER CABLE
- 04080064 - CARD READER CABLE

ENCLOSURE COMPONENTS  
STANDARD N-SERIES



<b>PICTORIAL PARTS CATALOG</b>		
DESCRIPTION: ENTRY-UNIT,ACCESS-N,STD,GEN3		
DWG. NO. 09030145	REV 00	SHEET 2 OF 2
 <b>VEHICLE WASH SYSTEMS</b>		
PART OF OPW		

ITEM	PART #	DESCRIPTION
1	06141024	BRACKET,HECON-PRINTER,SUPPORT&HOLD,ACC
2	04540053	CARD-READER,MAG-STRIPE,TTL,5V,DUAL-HEAD
3	11010331	CONTROLLER,STANDARD,TITAN,ACCESS
4	06161026	COVER,FORMED,CONTROLLER,SMART,CARD,ACC
5	08100001	PAPER,PRINTER,RECEIPT,THERMAL,60mm-ROLL
6	06240283	PLATE,HOLDER,CARD-READER,AL,ACCESS
7	06240166	PLATE,LOCK,PIN-SLOT,SST,ACC-N/B
8	04540071	PRINTER,THERMAL,RS232,24VDC,HECON,C56
9	04040025	SWITCH,PAD,RUBBER-BUTTON,4x4,ACCESS
10	04040024	SWITCH,PIEZO,4x4,SEALED,W/SHD-CBL,KEYPAD
11	06240284	TRAY,COIN,DISPENSER,SST,B-SERIES,ACCESS
12	06240351	WINDOW,PLATE,ACRYLIC,KEYPAD-MOD,GEN2

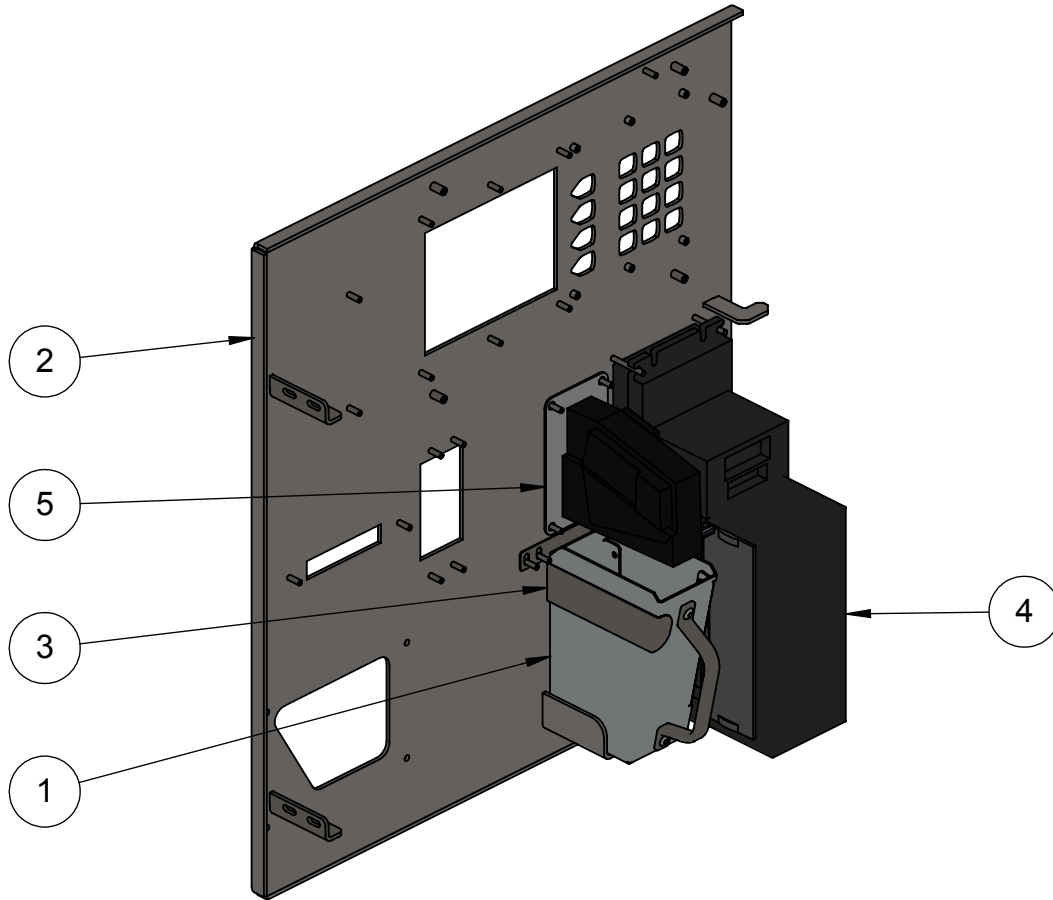


04200046 - PRINTER COMMUNICATION CABLE




COMMON DOOR COMPONENTS  
STANDARD B SERIES

PICTORIAL PARTS CATALOG		
DESCRIPTION: ENTRY-UNIT,ACCESS-B,STD,GEN3		
DWG. NO. 09030144	REV 00	SHEET 1 OF 5
		
VEHICLE WASH SYSTEMS		
PART OF OPW		DOVER COMPANY

ITEM	PART #	DESCRIPTION
1	06050038	BOX,COIN-CONTAINER,AL,ACCESS,B-SERIES
2	06240918	DOOR,I-COIN,DR-MT-VAL,STD,ACCESS-B
3	06180051	MOUNT,COIN-BOX-CLIP,ACCESS,B-SERIES,SST
4	04620023	VALIDATOR,BILL,STACKER,1-20US,MEI
5	04620002	VALIDATOR,COIN,USA-\$1&25C,ACCESS

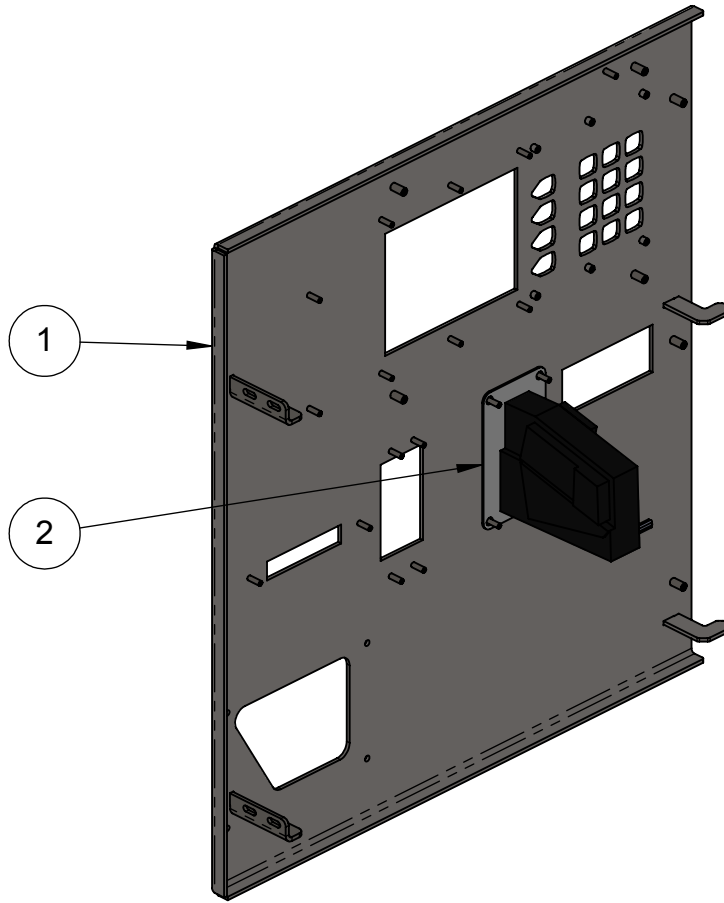


USA SPECIFIC DOOR COMPONENTS  
STANDARD B SERIES

PICTORIAL PARTS CATALOG		
DESCRIPTION: ENTRY-UNIT,ACCESS-B,STD,GEN3		
DWG. NO. 09030144	REV 00	SHEET 2 OF 5
		
VEHICLE WASH SYSTEMS		
PART OF OPW		



ITEM	PART #	DESCRIPTION
1	06240919	DOOR,I-COIN,BOX-MT-VAL,STD,ACCESS-B
2	04620005	VALIDATOR,COIN,CAN,\$1-2,W/OPTICS,IMONEX

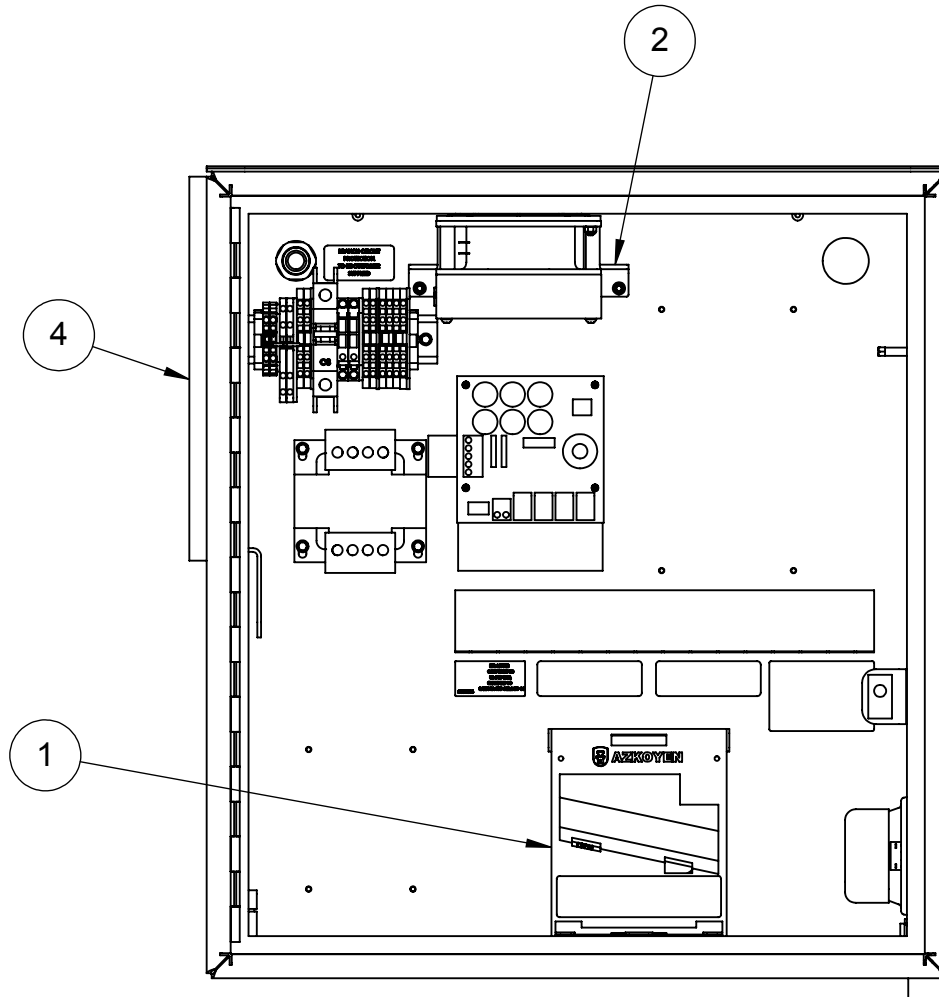


CANADA SPECIFIC DOOR COMPONENTS  
STANDARD B SERIES

PICTORIAL PARTS CATALOG		
DESCRIPTION: ENTRY-UNIT,ACCESS-B,STD,GEN3		
DWG. NO. 09030144	REV 00	SHEET 3 OF 5



ITEM	PART #	DESCRIPTION
1	04620017	DISPENSER, COIN, U-HOPPER, AZKOYEN
2	11270020	HEATER, FAN/OPEN-COIL, 120VAC, ASSY, ACCESS
3	04040030	SWITCH, PLUNGER, PANEL, SNAP-IN, 2-COND-CBL
4	04080151	HARNESS, KIT, ACCESS, B-SERIES



HARNESS KIT 04080151 INCLUDES THE FOLLOWING:

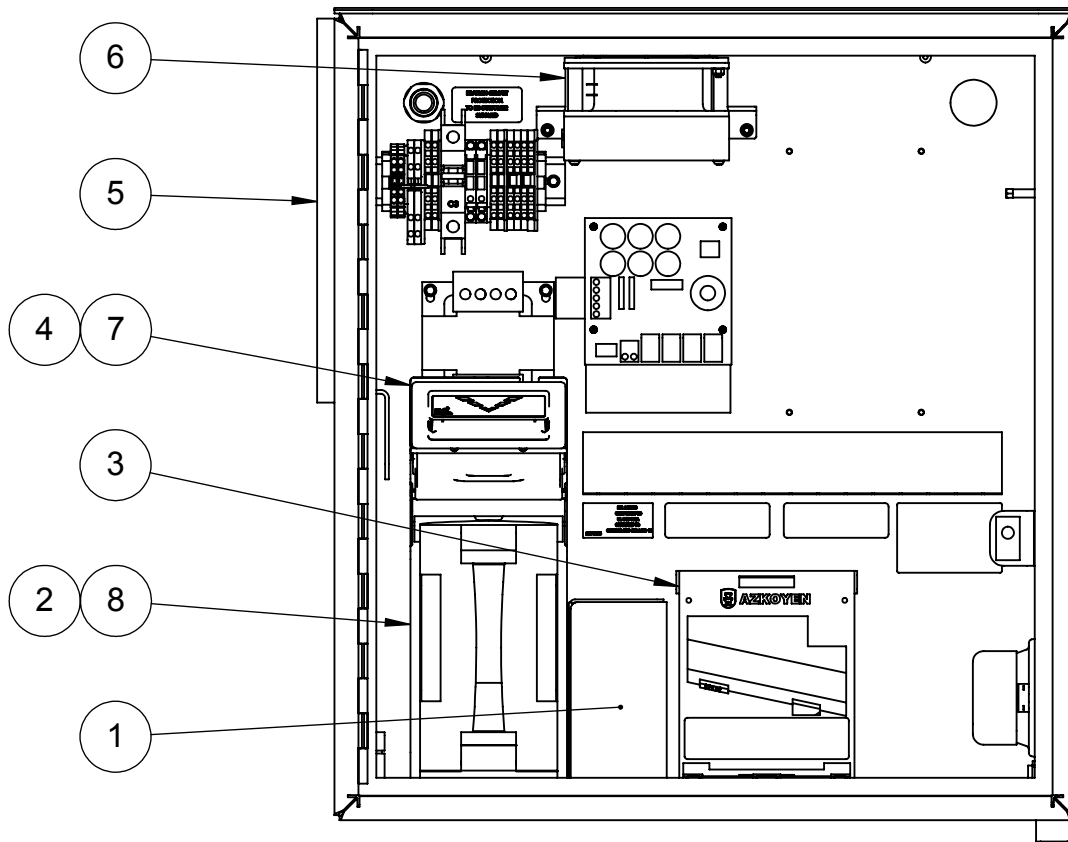
- 04080154 - BILL VALIDATOR CABLE (USA)
- 04080064 - CARD READER CABLE (NON-EMV)
- 04080260 - COIN DISPENSER CABLE
- 04080155 - COIN VALIDATOR CABLE (USA/CANADA)
- 04200025 - CONTROLLER POWER CABLE
- 04080505 - COIN DISPENSER GROUNDING HARNESS
- 04040030 - DOOR SWITCH AND CABLE

USA SPECIFIC ENCLOSURE COMPONENTS  
STANDARD B SERIES

PICTORIAL PARTS CATALOG		
DESCRIPTION: ENTRY-UNIT, ACCESS-B, STD, GEN3		
DWG. NO. 09030144	REV 00	SHEET 4 OF 5





ITEM	PART #	DESCRIPTION
1	06050116	BOX,COIN-CONTAINER,AL,ACCESS,B-SERIES
2	04080627	CABLE,BILL-VAL,SC83-MEI,ACCESS-B
3	04620017	DISPENSER,COIN,U-HOPPER,AZKOYEN
4	06070064	GASKET,STACKER-PLATE,NEOPRENE,ACCESS
5	04080151	HARNESS,KIT,ACCESS,B-SERIES
6	11270020	HEATER,FAN/OPEN-COIL,120VAC,ASSY,ACCESS
7	04620034	VALIDATOR,BEZEL,MULTI-DENOM,84mm,MEI,ACC
8	04620033	VALIDATOR,BILL,STACKER,MULTI-DENOM,MEI



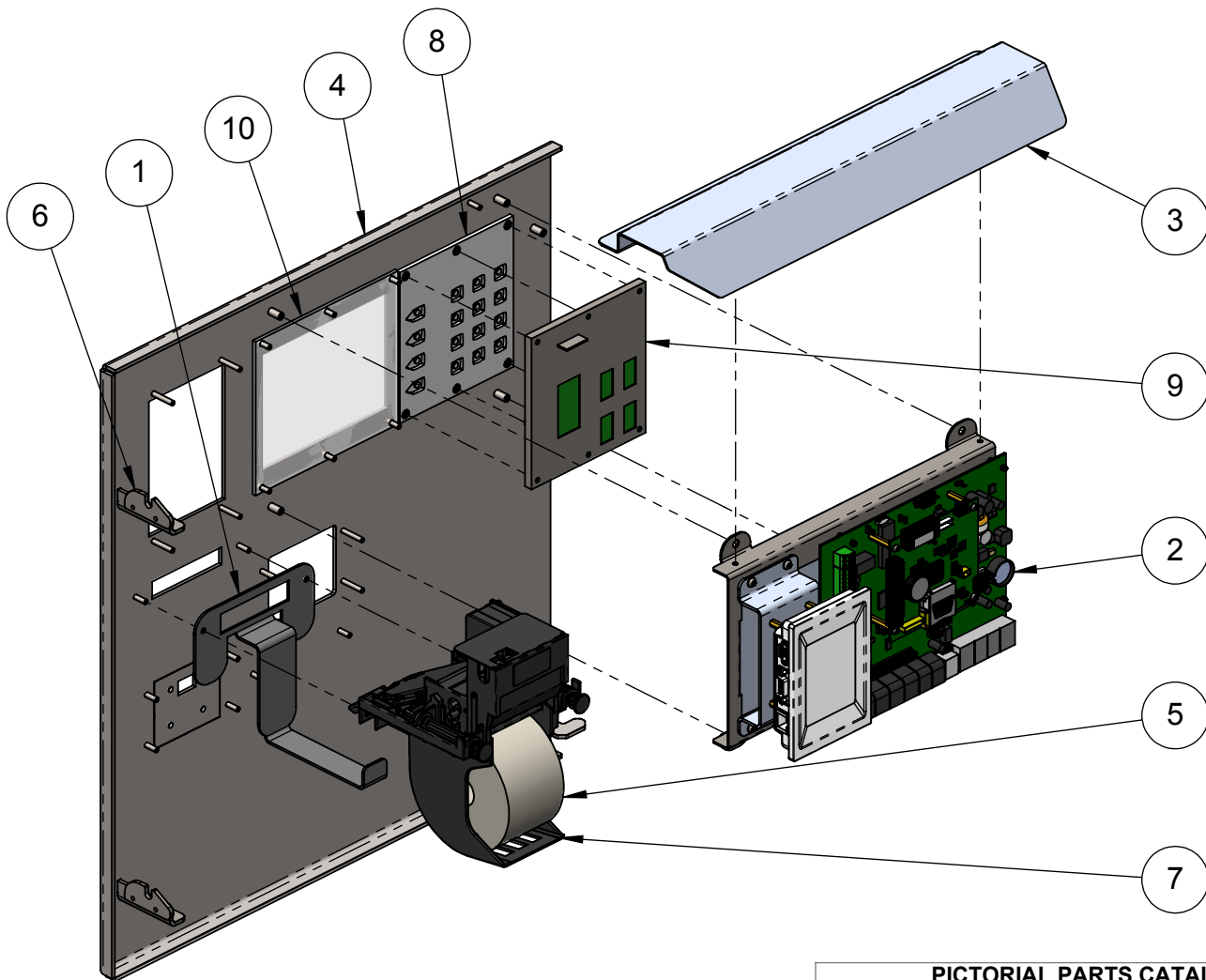
HARNESS KIT 04080151 INCLUDES THE FOLLOWING:

- 04080154 - BILL VALIDATOR CABLE (USA)
- 04080064 - CARD READER CABLE (NON-EMV)
- 04080260 - COIN DISPENSER CABLE
- 04080155 - COIN VALIDATOR CABLE (USA/CANADA)
- 04200025 - CONTROLLER POWER CABLE
- 04080505 - COIN DISPENSER GROUNDING HARNESS
- 04040030 - DOOR SWITCH AND CABLE

CANADA SPECIFIC ENCLOSURE COMPONENTS  
STANDARD B SERIES



PICTORIAL PARTS CATALOG		
DESCRIPTION: ENTRY-UNIT,ACCESS-B,STD,GEN3		
DWG. NO. 09030144	REV 00	SHEET 5 OF 5
		
VEHICLE WASH SYSTEMS		
PART OF OPW		A DOVER COMPANY

ITEM	PART #	DESCRIPTION
1	06141024	BRACKET,HECON-PRINTER,SUPPORT&HOLD,ACC
2	11010279	CONTROLLER,SMART-CARD,EMV,TITAN,ACCESS
3	06161026	COVER,FORMED,CONTROLLER,SMART,CARD,ACC
4	06240924	DOOR,EMV,ACCESS-N
5	08100001	PAPER,PRINTER,RECEIPT,THERMAL,60mm-ROLL
6	06240166	PLATE,LOCK,PIN-SLOT,SST,ACC-N/B
7	04540071	PRINTER,THERMAL,RS232,24VDC,HECON,C56
8	04040025	SWITCH,PAD,RUBBER-BUTTON,4x4,ACCESS
9	04040024	SWITCH,PIEZO,4x4,SEALED,W/SHD-CBL,KEYPAD
10	06240351	WINDOW,PLATE,ACRYLIC,KEYPAD-MOD,GEN2



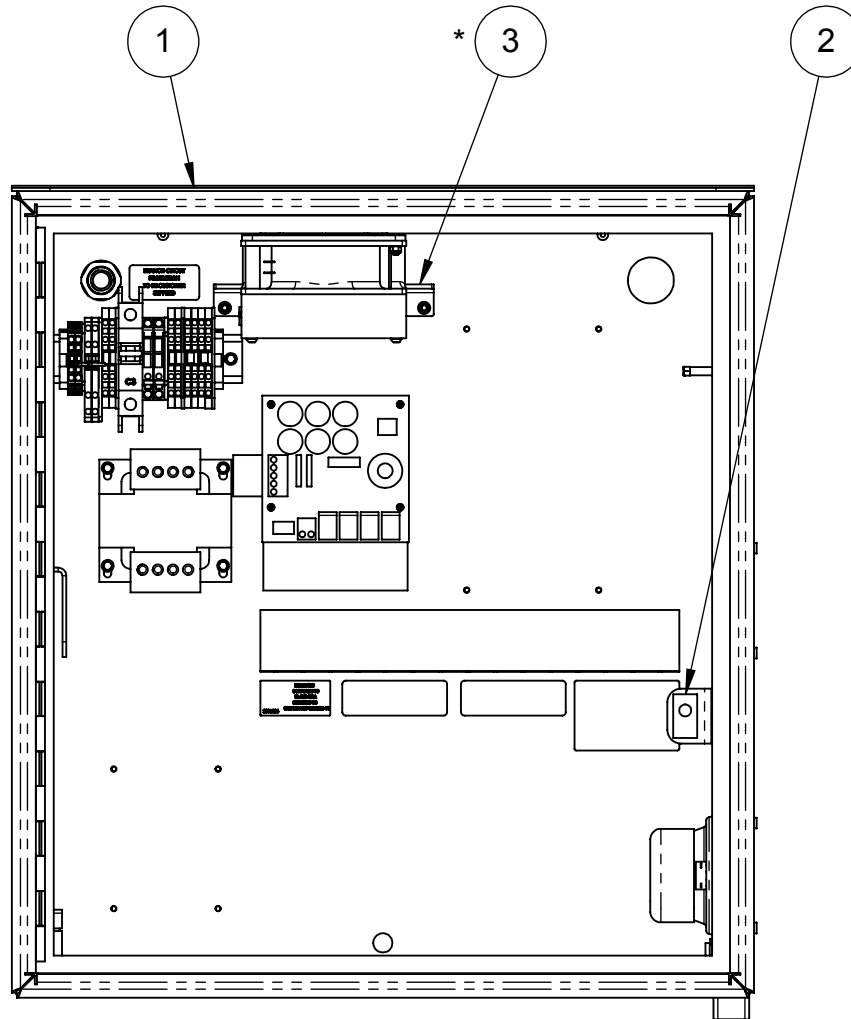
04250046 - PRINTER COMMUNICATION CABLE  
 04200025 - CONTROLLER POWER CABLE

COMMON DOOR COMPONENTS  
 N-SERIES WITH EMV



PICTORIAL PARTS CATALOG		
DESCRIPTION: ENTRY-UNIT,ACCESS-N,EMV,CONFIG		
DWG. NO. 09030109	REV 00	SHEET 1 OF 2
		
VEHICLE WASH SYSTEMS		
PART OF OPW		DOVER COMPANY

ITEM	PART #	DESCRIPTION
1	11010310	CONTROL-BOX,COMMON,ACCESS-N/B,GEN3
2	04040030	SWITCH,PLUNGER,PANEL,SNAP-IN,2-COND-CBL
3	11270020	HEATER,FAN/OPEN-COIL,120VAC,ASSY,ACCESS

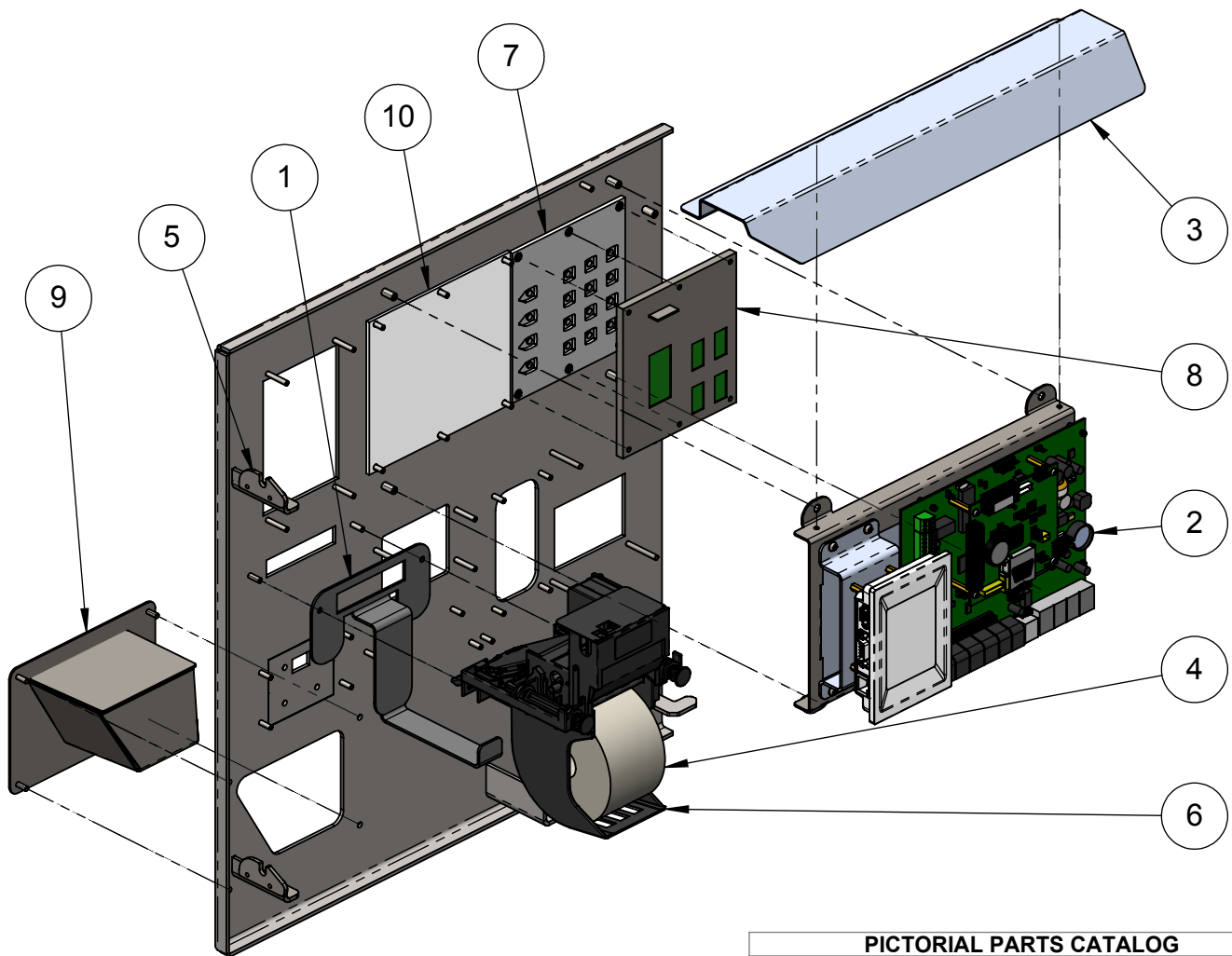
\* 220V-50HZ MODELS USE FAN ASSEMBLY # 11270021



COMMON ENCLOSURE COMPONENTS  
N-SERIES WITH EMV


PICTORIAL PARTS CATALOG		
DESCRIPTION: ENTRY-UNIT,ACCESS-N,EMV,CONFIG		
DWG. NO. 09030109	REV 00	SHEET 2 of 2
		
VEHICLE WASH SYSTEMS		
PART OF OPW		DOVER COMPANY

ITEM	PART #	DESCRIPTION
1	06141024	BRACKET,HECON-PRINTER,SUPPORT&HOLD,ACC
2	11010279	CONTROLLER,SMART-CARD,EMV,TITAN,ACCESS
3	06161026	COVER,FORMED,CONTROLLER,SMART,CARD,ACC
4	08100001	PAPER,PRINTER,RECEIPT,THERMAL,60mm-ROLL
5	06240166	PLATE,LOCK,PIN-SLOT,SST,ACC-N/B
6	04540071	PRINTER,THERMAL,RS232,24VDC,HECON,C56
7	04040025	SWITCH,PAD,RUBBER-BUTTON,4x4,ACCESS
8	04040024	SWITCH,PIEZO,4x4,SEALED,W/SHD-CBL,KEYPAD
9	06240284	TRAY,COIN,DISPENSER,SST,B-SERIES,ACCESS
10	06240351	WINDOW,PLATE,ACRYLIC,KEYPAD-MOD,GEN2

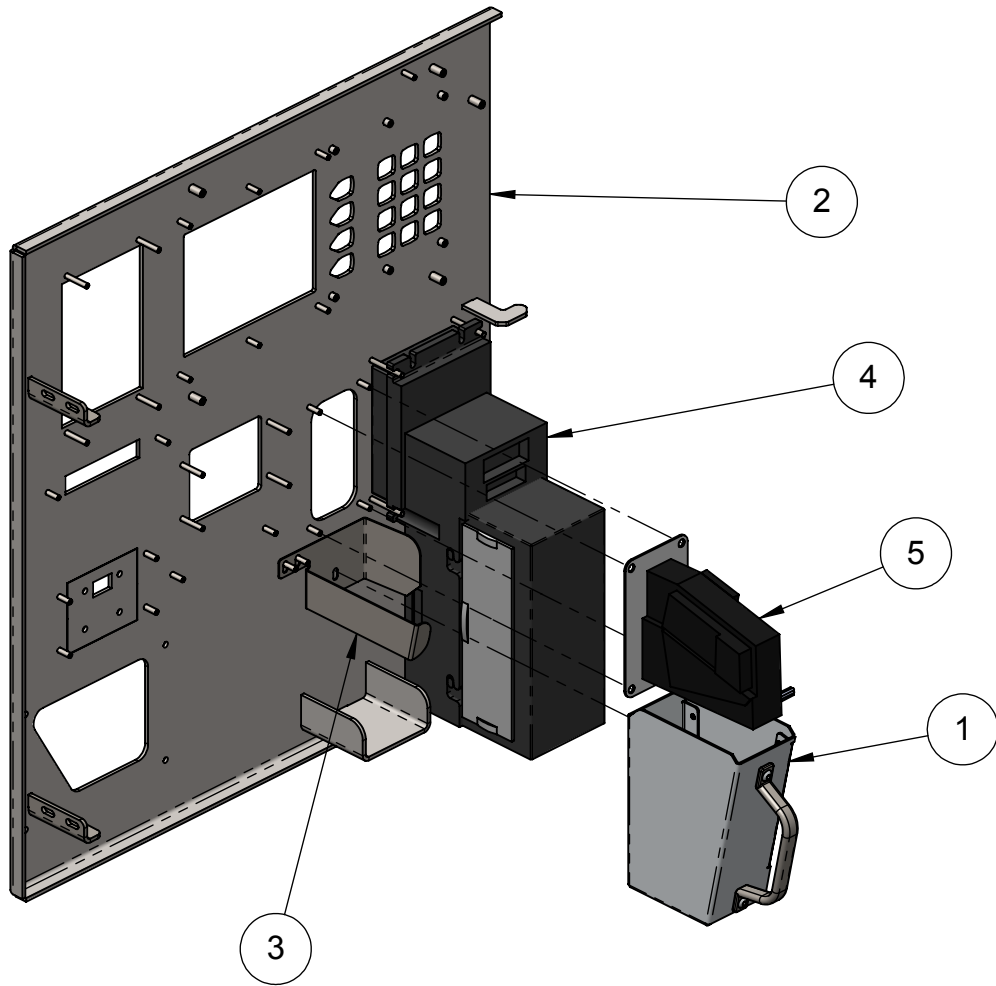


04200046 - PRINTER COMMUNICATION CABLE  
 04200025 - CONTROLLER POWER CABLE

COMMON DOOR COMPONENTS  
 B SERIES WITH EMV




PICTORIAL PARTS CATALOG		
DESCRIPTION: ENTRY-UNIT,ACCESS-B,EMV,CONFIG		
DWG. NO. 09030108	REV 00	SHEET 1 OF 7
 VEHICLE WASH SYSTEMS <small>PART OF OPW DOVER COMPANY</small>		

ITEM	PART #	DESCRIPTION
1	06050038	BOX,COIN-CONTAINER,AL,ACCESS,B-SERIES
2	06240921	DOOR,I-COIN,DR-MT-VAL,EMV,ACCESS-B
3	06180051	MOUNT,COIN-BOX-CLIP,ACCESS,B-SERIES,SST
4	04620023	VALIDATOR,BILL,STACKER,1-20US,MEI
5	04620002	VALIDATOR,COIN,USA-\$1&25C,ACCESS

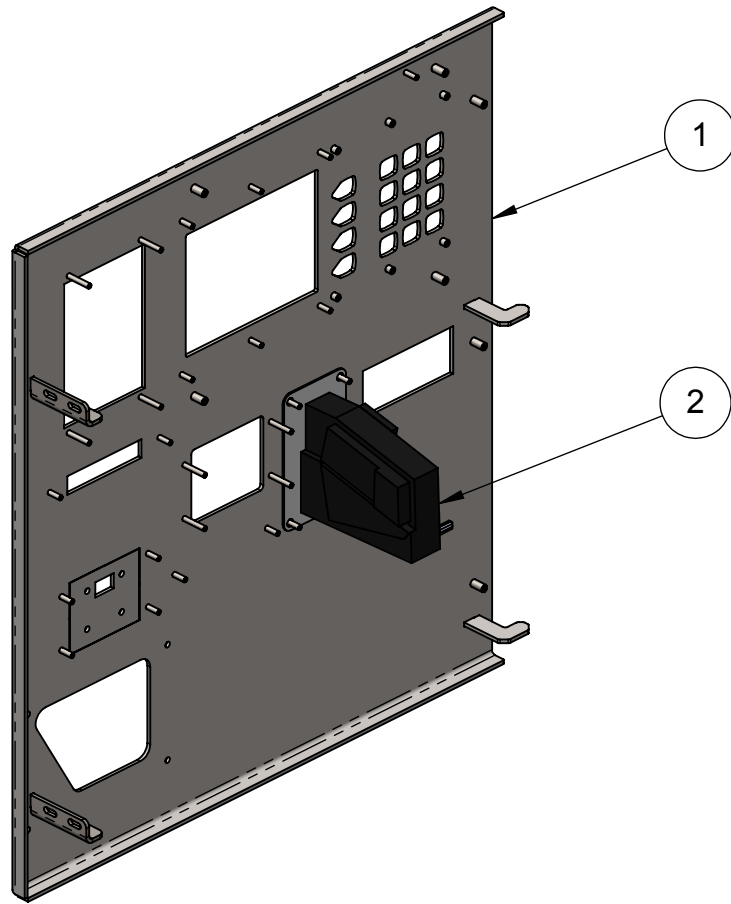


04080154 - BILL VALIDATOR CABLE  
 04080155 - COIN VALIDATOR CABLE

USA SPECIFIC DOOR COMPONENTS  
 B SERIES WITH EMV




PICTORIAL PARTS CATALOG		
DESCRIPTION: ENTRY-UNIT,ACCESS-B,EMV,CONFIG		
DWG. NO. 09030108	REV 00	SHEET 2 OF 7
 VEHICLE WASH SYSTEMS		
PART OF OPW		

ITEM	PART #	DESCRIPTION
1	06240922	DOOR,I-COIN,BOX-MT-VAL,EMV,ACCESS-B
2	04620005	VALIDATOR,COIN,CAN,\$1-2,W/OPTICS,IMONEX



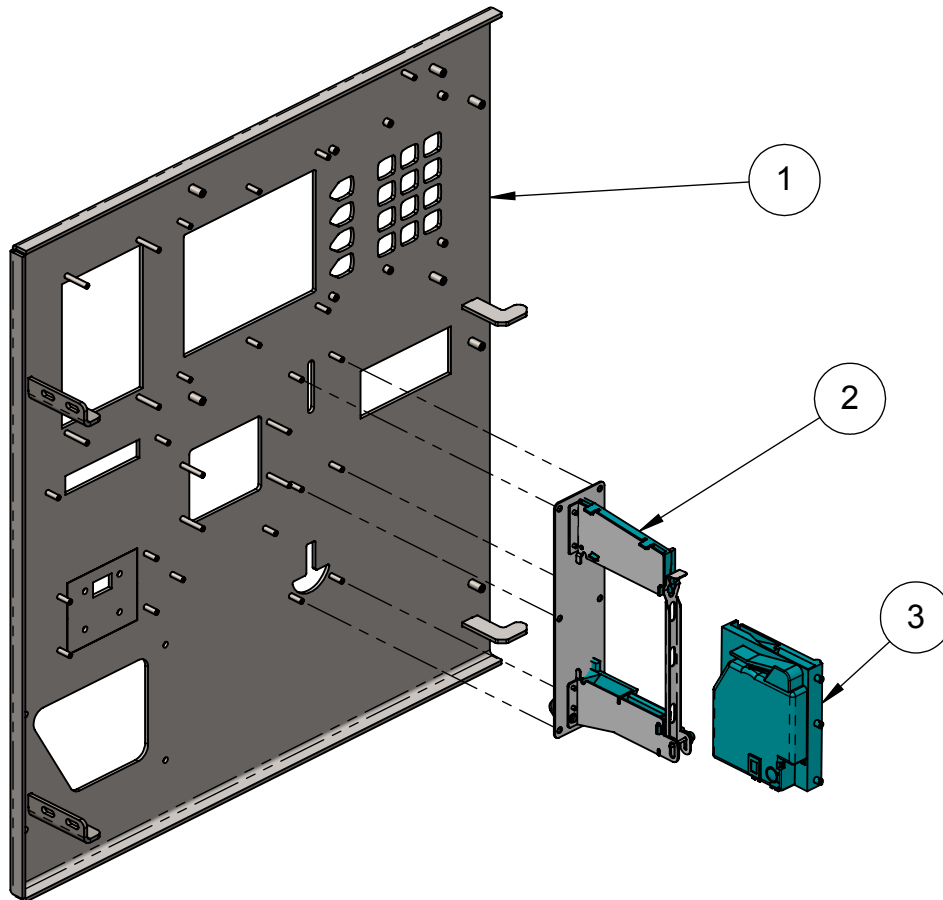
04080155 - COIN VALIDATOR CABLE

CANADA SPECIFIC DOOR COMPONENTS  
B SERIES WITH EMV

PICTORIAL PARTS CATALOG		
DESCRIPTION: ENTRY-UNIT,ACCESS-B,EMV,CONFIG		
DWG. NO. 09030108	REV 00	SHEET 3 OF 7
 <b>VEHICLE WASH SYSTEMS</b>		
PART OF OPW		





ITEM	PART #	DESCRIPTION
1	06240923	DOOR,M-COIN,BOX-MT-VAL,EMV,ACCESS-B
2	04620058	FACE-PLATE,VALIDATOR,MICRO-COIN,SST
3	04620051	VALIDATOR,MICRO-COIN,AUSTRALIA,ACCESS

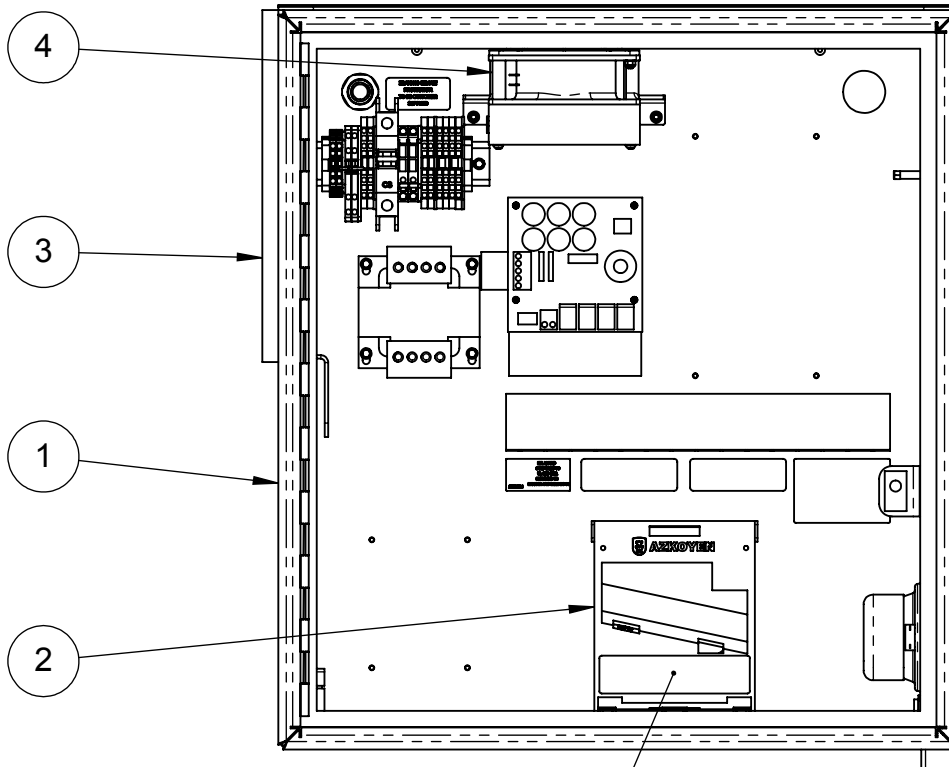


04080552 - COIN VALIDATOR CABLE

AUSTRALIA SPECIFIC DOOR COMPONENTS  
B SERIES WITH EMV

<b>PICTORIAL PARTS CATALOG</b>		
DESCRIPTION: ENTRY-UNIT,ACCESS-B,EMV,CONFIG		
DWG. NO.	REV	SHEET
09030108	00	4 OF 7
 <b>PDQ</b> VEHICLE WASH SYSTEMS		
<small>PART OF OPW</small>		<small>A DOVER COMPANY</small>

ITEM	PART #	DESCRIPTION
1	11010310	CONTROL-BOX,COMMON,ACCESS-N/B,GEN3
2	04620017	DISPENSER,COIN,U-HOPPER,AZKOYEN
3	04080151	HARNESS,KIT,ACCESS,B-SERIES
4	11270020	HEATER,FAN/OPEN-COIL,120VAC,ASSY,ACCESS





REPLACEMENT BASE  
P/N 04620025

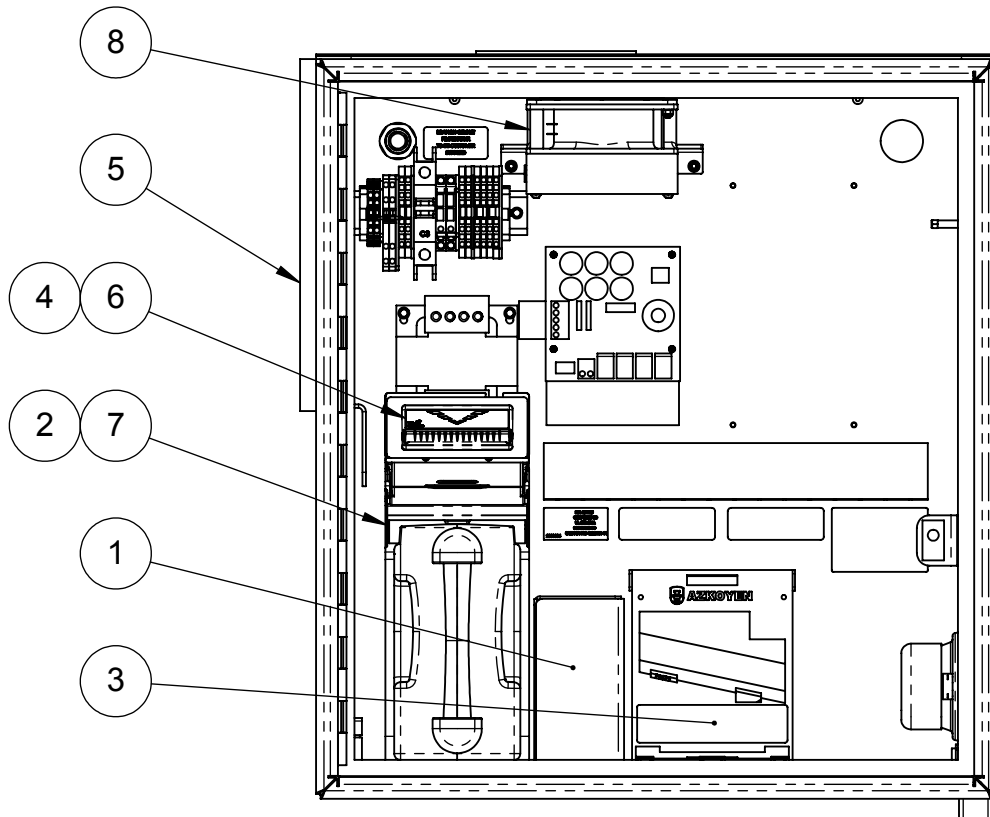
HARNESS KIT 04080151 INCLUDES THE FOLLOWING:

- 04080154 - BILL VALIDATOR CABLE (USA)
- 04080064 - CARD READER CABLE (NON-EMV)
- 04080260 - COIN DISPENSER CABLE
- 04080155 - COIN VALIDATOR CABLE (USA/CANADA)
- 04200025 - CONTROLLER POWER CABLE
- 04080505 - COIN DISPENSER GROUNDING HARNESS
- 04040030 - DOOR SWITCH AND CABLE

USA SPECIFIC ENCLOSURE COMPONENTS  
B SERIES WITH EMV

PICTORIAL PARTS CATALOG		
DESCRIPTION: ENTRY-UNIT,ACCESS-B,EMV,CONFIG		
DWG. NO. 09030108	REV 00	SHEET 5 OF 7
		
VEHICLE WASH SYSTEMS		
PART OF OPW		A DOVER COMPANY




ITEM	PART #	DESCRIPTION
1	06050116	BOX, COIN-CONTAINER, AL, ACCESS, B-SERIES
2	04080148	CABLE, BILL-VALIDATOR, SCL66-MEI, ACCESS
3	04620017	DISPENSER, COIN, U-HOPPER, AZKOYEN
4	06070064	GASKET, STACKER-PLATE, NEOPRENE, ACCESS
5	04080151	HARNESS, KIT, ACCESS, B-SERIES
6	04620034	VALIDATOR, BEZEL, MULTI-DENOM, 84mm, MEI, ACC
7	04620054	VALIDATOR, BILL, STACKER, SC83, MEI, CAN, ACC
8	11270020	HEATER, FAN/OPEN-COIL, 120VAC, ASSY, ACCESS



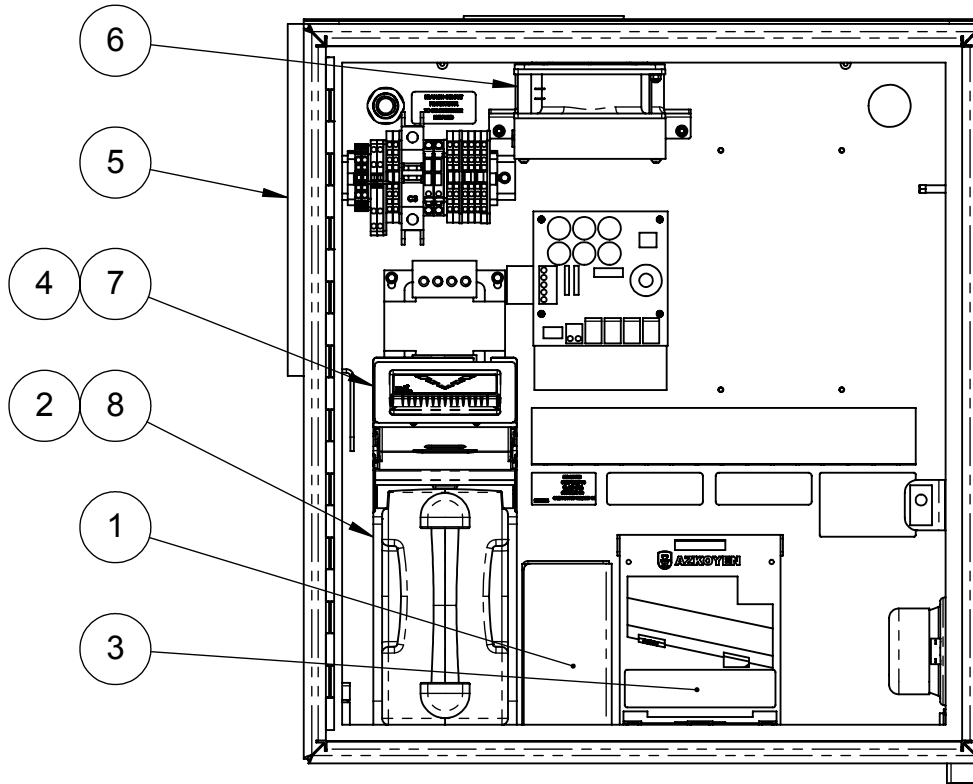
HARNESS KIT 04080151 INCLUDES THE FOLLOWING:

- 04080154 - BILL VALIDATOR CABLE (USA)
- 04080064 - CARD READER CABLE (NON-EMV)
- 04080260 - COIN DISPENSER CABLE
- 04080155 - COIN VALIDATOR CABLE (USA/CANADA)
- 04200025 - CONTROLLER POWER CABLE
- 04080505 - COIN DISPENSER GROUNDING HARNESS
- 04040030 - DOOR SWITCH AND CABLE

CANADA SPECIFIC ENCLOSURE COMPONENTS  
B SERIES WITH EMV

PICTORIAL PARTS CATALOG		
DESCRIPTION: ENTRY-UNIT, ACCESS-B, EMV, CONFIG		
DWG. NO. 09030108	REV 00	SHEET 6 OF 7
		
VEHICLE WASH SYSTEMS		
PART OF OPW		


ITEM	PART #	DESCRIPTION
1	06050116	BOX,COIN-CONTAINER,AL,ACCESS,B-SERIES
2	04080148	CABLE,BILL-VALIDATOR,SCL66-MEI,ACCESS
3	04620017	DISPENSER,COIN,U-HOPPER,AZKOYEN
4	06070064	GASKET,STACKER-PLATE,NEOPRENE,ACCESS
5	04080151	HARNESS,KIT,ACCESS,B-SERIES
6	11270021	HEATER,FAN/OPEN-COIL,220VAC,ASSY,ACCESS
7	04620034	VALIDATOR,BEZEL,MULTI-DENOM,84mm,MEI,ACC
8	04620055	VALIDATOR,BILL,STACKER,SC83,MEI,AUS,ACC



HARNESS KIT 04080151 INCLUDES THE FOLLOWING:

- 04080154 - BILL VALIDATOR CABLE (USA)
- 04080064 - CARD READER CABLE (NON-EMV)
- 04080260 - COIN DISPENSER CABLE
- 04080155 - COIN VALIDATOR CABLE (USA/CANADA)
- 04200025 - CONTROLLER POWER CABLE
- 04080505 - COIN DISPENSER GROUNDING HARNESS
- 04040030 - DOOR SWITCH AND CABLE

AUSTRALIA SPECIFIC ENCLOSURE COMPONENTS  
B SERIES WITH EMV

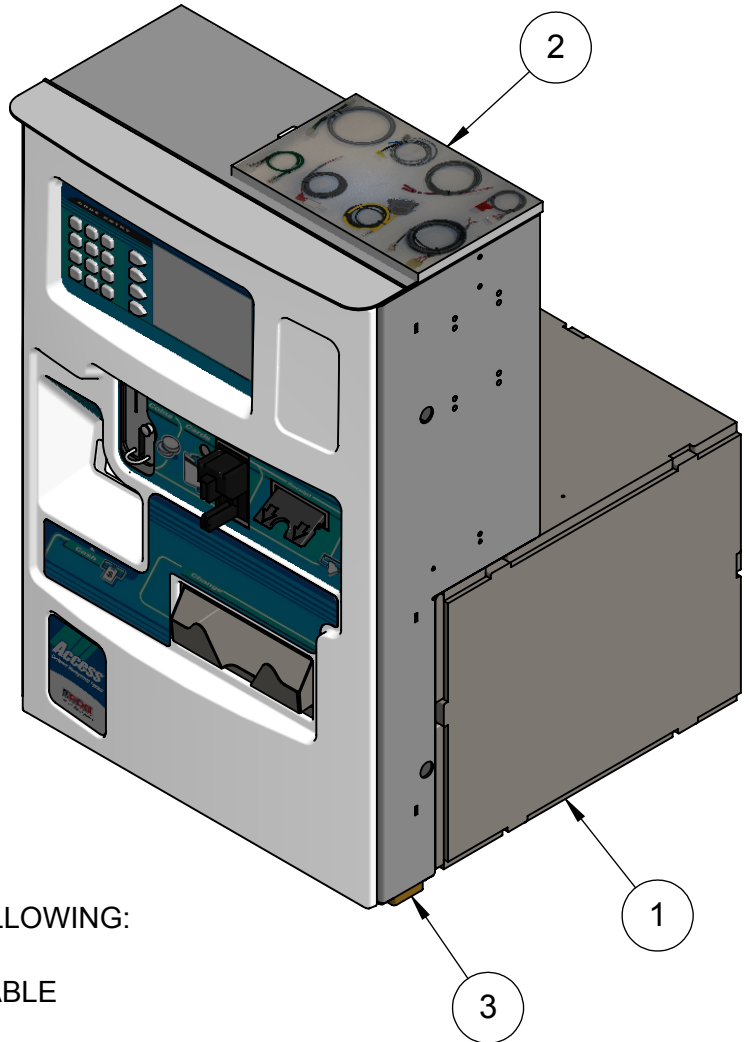
PICTORIAL PARTS CATALOG		
DESCRIPTION: ENTRY-UNIT,ACCESS-B,EMV,CONFIG		
DWG. NO. 09030108	REV 00	SHEET 7 OF 7
		
VEHICLE WASH SYSTEMS		
PART OF OPW		A DOVER COMPANY

ITEM	PART #	DESCRIPTION
1	11110034	ENCLOSURE,ENTRY-UNIT,VAULT,ASSY,S-SERIES
2	04080227	HARNESS,KIT,S-SERIES,GEN2,ACCESS
3	06490020	LOCK,KEYED-DIFFERENT,DOOR,ACCESS

FOR ENCLOSURE COMPONENTS  
SEE 11010344



FOR DOOR COMPONENTS  
SEE 11010339

FOR EMV COMPONENTS  
SEE 04540104 (PAYX) OR  
04540105 (MONERIS)

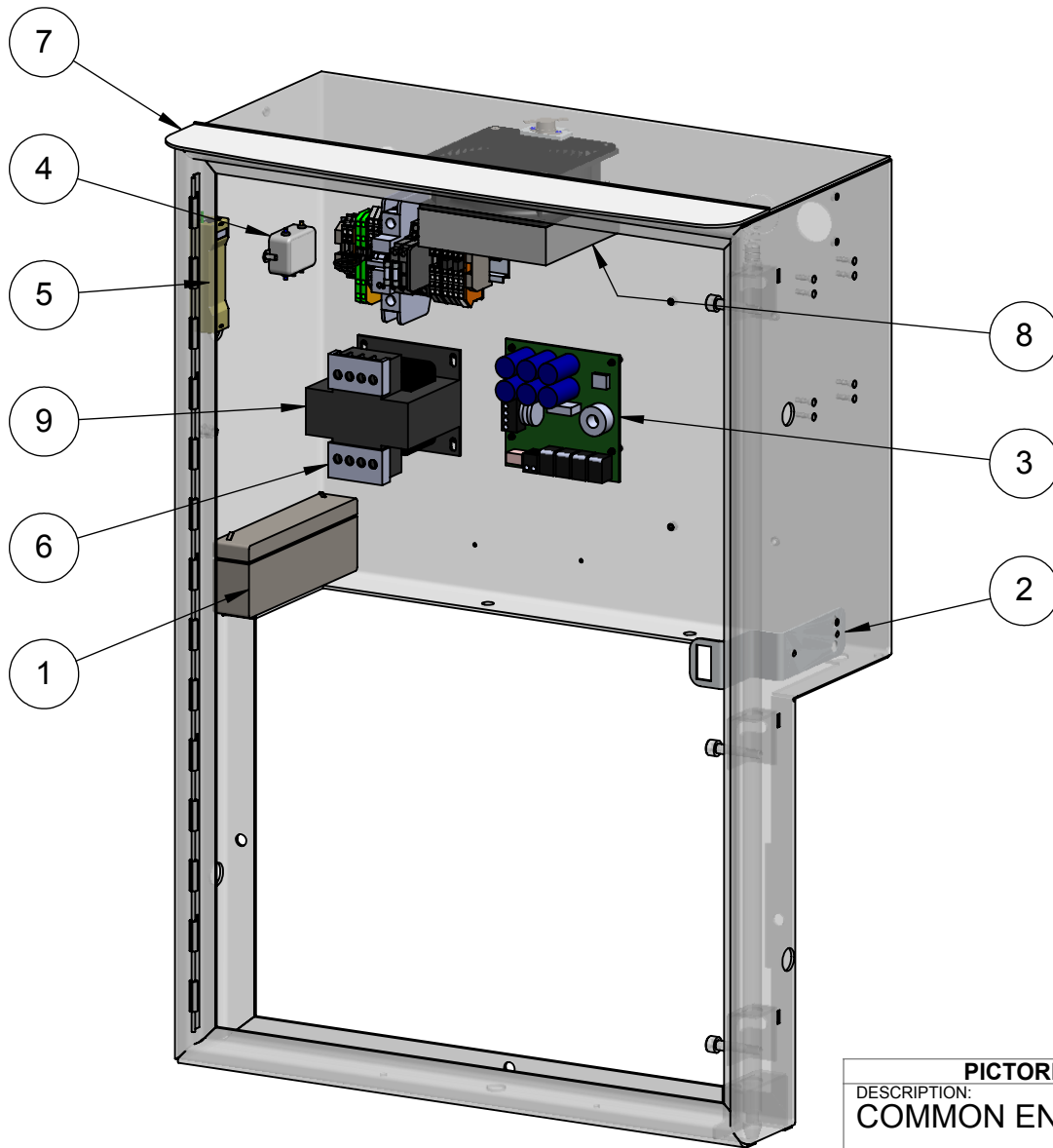


HARNESS KIT 04080227 INCLUDES THE FOLLOWING:

- 04040030 - DOOR ALARM SWITCH AND CABLE
- 04200025 - CONTROLLER POWER CABLE
- 04080064 - CARD READER CABLE (NON EMV)
- 04080155 - COIN VALIDATOR CABLE
- 04080148 - BILL VALIDATOR CABLE
- 04080149 - VAULT FAN/HEAT CABLE
- 04200035 - NOTE DISPENSER POWER CABLE
- 04080261 - NOTE DISPENSER COMM CABLE

<b>PICTORIAL PARTS CATALOG</b>		
DESCRIPTION: <b>ENTRY-UNIT,GEN3,ACCESS-S</b>		
DWG. NO. <b>09030146</b>	REV <b>00</b>	SHEET <b>1 OF 1</b>
 <b>VEHICLE WASH SYSTEMS</b>		
<small>PART OF OPW</small>		<small>A DOVER COMPANY</small>

ITEM	PART #	DESCRIPTION
1	04170017	BATTERY,12V,2.3Ah,LEAD-ACID,SEALED,W/CBL
2	06141023	BRACKET,DOOR-ALARM,SWITCH-HOLDER,ACCESS
3	04580007	CIRCUIT-BOARD,POWER-SUPPLY,ACCESS
4	04410015	FILTER,EMI-LINE,5A,115/240VAC,LEADS
5	04410016	FILTER,SURGE,ETHERNET,RJ45,W/CABLE+TAPE
6	06161015	GUARD,FINGER,XFMR,100/250VA,HAMMOND
7	06160309	GUARD,RAIN-GUIDE,DRIP-EDGE,PLST
8	11270020	HEATER,FAN/OPEN-COIL,120VAC,ASSY,ACCESS
9	04170032	TRANSFORMER,120/240VAC,24VAC,250VA

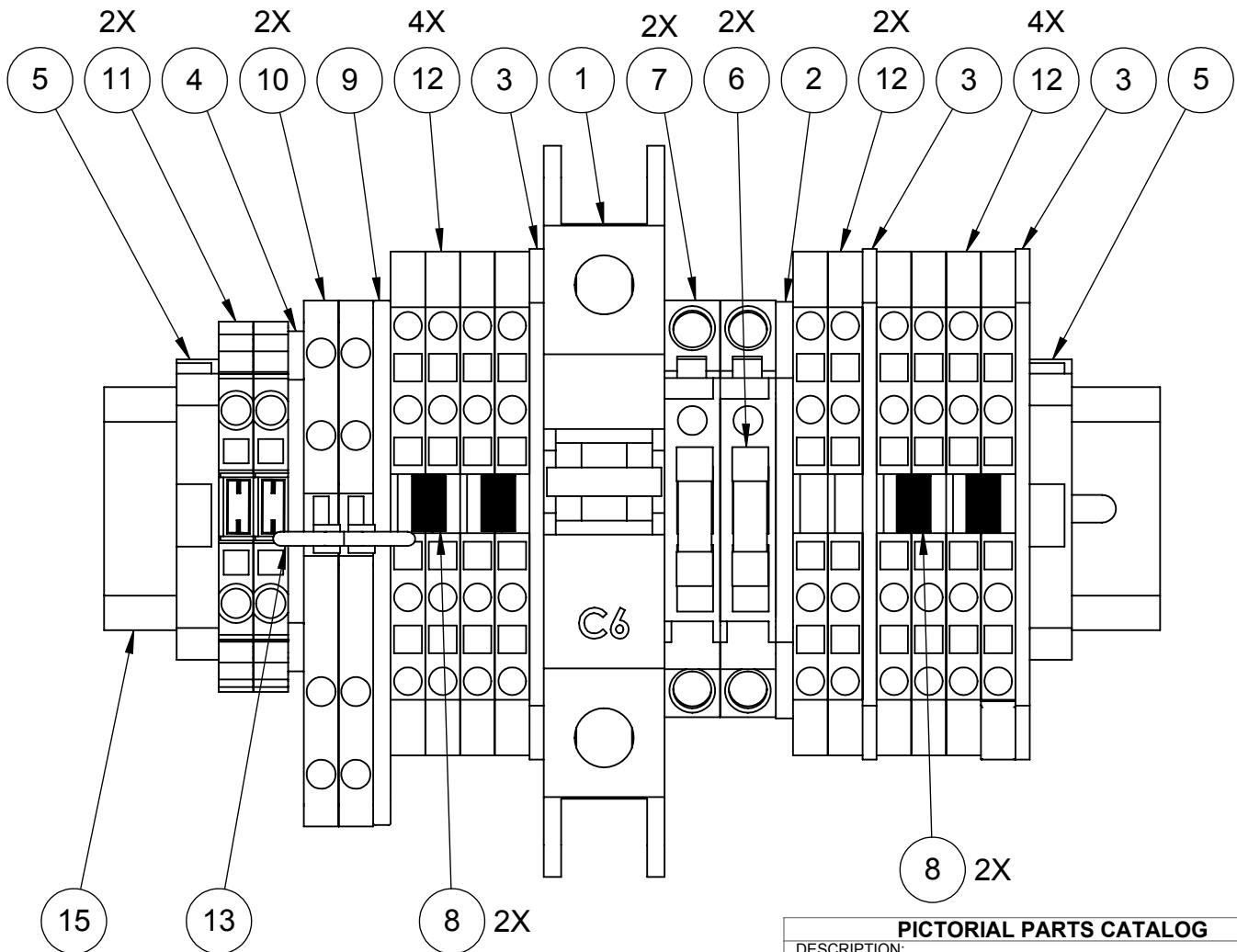


COMMON ENCLOSURE COMPONENTS  
GEN3 ACCESS S SERIES




PICTORIAL PARTS CATALOG		
DESCRIPTION: COMMON ENCL CMPNT, S-SERIES		
DWG. NO.	REV	SHEET
11010344	00	1 OF 2



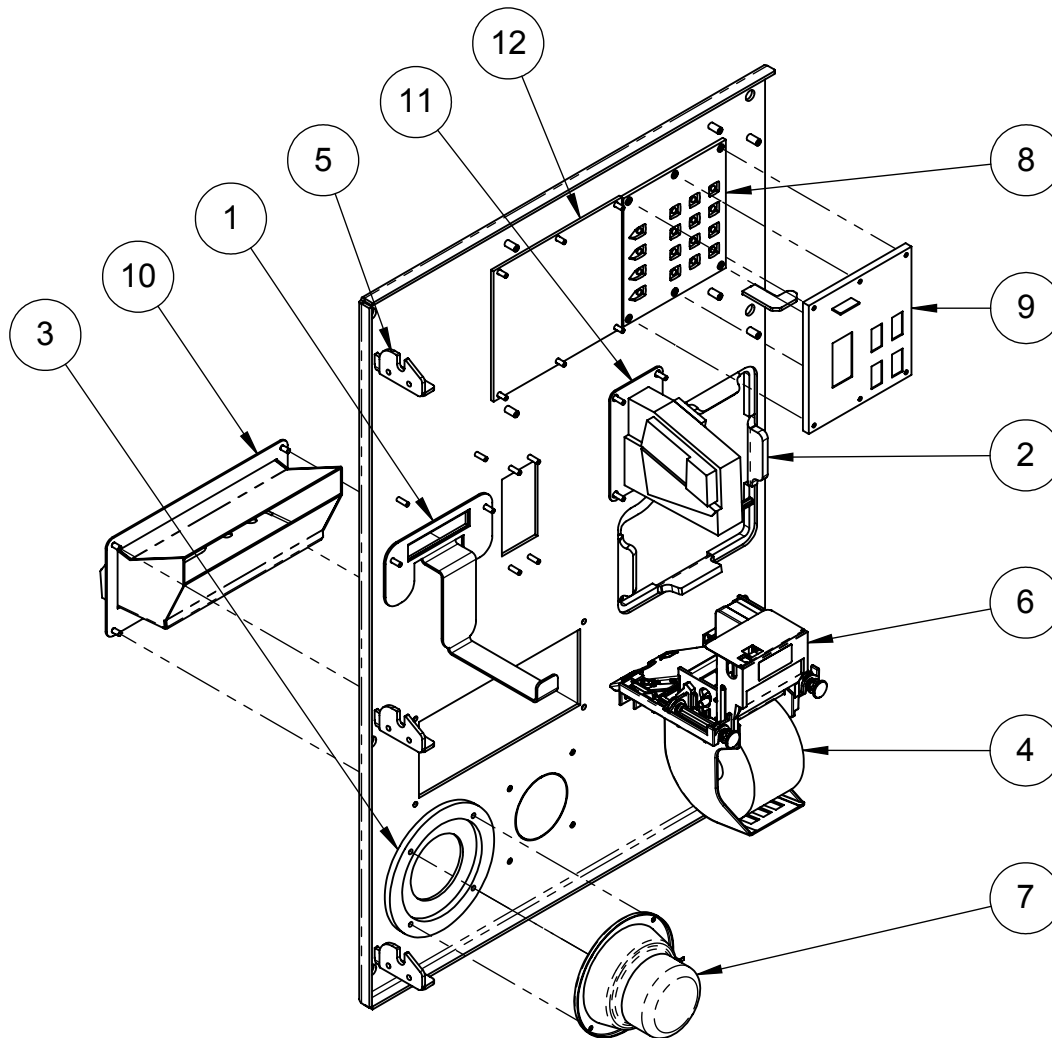
ITEM	PART #	DESCRIPTION
1	37533	CIRCUIT-BREAKER,6A,1P,C,277V,UL489
2	36612	END PLATE FUSE HLDR 281-311
3	36607	END PLATE,FRONT,4P,280-317,ORANGE
4	36606	END-PLATE,FRONT,2P,PLST,280-331
5	36650	END-STOP,6mm,PLST,GRAY,249-116
6	37315	FUSE,4A,5X20MM,SLO-BLO,GLASS
7	36514	FUSE-HOLDER,TERMINAL BLK,5x20mm
8	36800	JUMPER,INSULATED,GRAY
9	36503	TERMINAL,END-PLATE,.098X2.95,ORANGE,WAGO
10	04100024	TERMINAL,GROUND,28-12AWG,4-COND,YEL-GRN
11	36506	TERMINAL-BLK,26-12GA,2P,PLST,280-601
12	36507	TERMINAL-BLK,26-14GA,4P,GRAY
13	04100096	TERMINAL-JUMPER,WIRE,2P,WAGO
14	04100093	TERMINAL-MARKER,W/120V-HEAT,ACCESS
15	36950-6.00	DIN-RAIL,35mmx6.00",AL



COMMON ENCLOSURE COMPONENTS  
GEN3 ACCESS S SERIES




PICTORIAL PARTS CATALOG		
DESCRIPTION: COMMON ENCL CMPNT, S-SERIES		
DWG. NO. 11010344	REV 00	SHEET 20F 2
		
VEHICLE WASH SYSTEMS		PART OF OPW 

ITEM	PART #	DESCRIPTION
1	06141024	BRACKET,HECON-PRINTER,SUPPORT&HOLD,ACC
2	06070043	GASKET,ENCL-FASCIA,NEOPRENE,ACCESS
3	06070053	GASKET,SPEAKER-ADAPTER,SBR
4	08100001	PAPER,PRINTER,RECEIPT,THERMAL,60mm-ROLL
5	06240235	PLATE,LOCK,PIN-SLOT,SST,ACC-S
6	04540071	PRINTER,THERMAL,RS232,24VDC,HECON,C56
7	04550006	SPEAKER-W/CABLE,ACCESS
8	04040025	SWITCH,PAD,RUBBER-BUTTON,4x4,ACCESS
9	04040024	SWITCH,PIEZO,4x4,SEALED,W/SHD-CBL,KEYPAD
10	06260007	TRAY,BILL,DISPENSER,SST,ENTRY-UNIT
11	04620002	VALIDATOR,COIN,USA-\$1&25C,ACCESS
12	06240351	WINDOW,PLATE,ACRYLIC,KEYPAD-MOD,GEN2



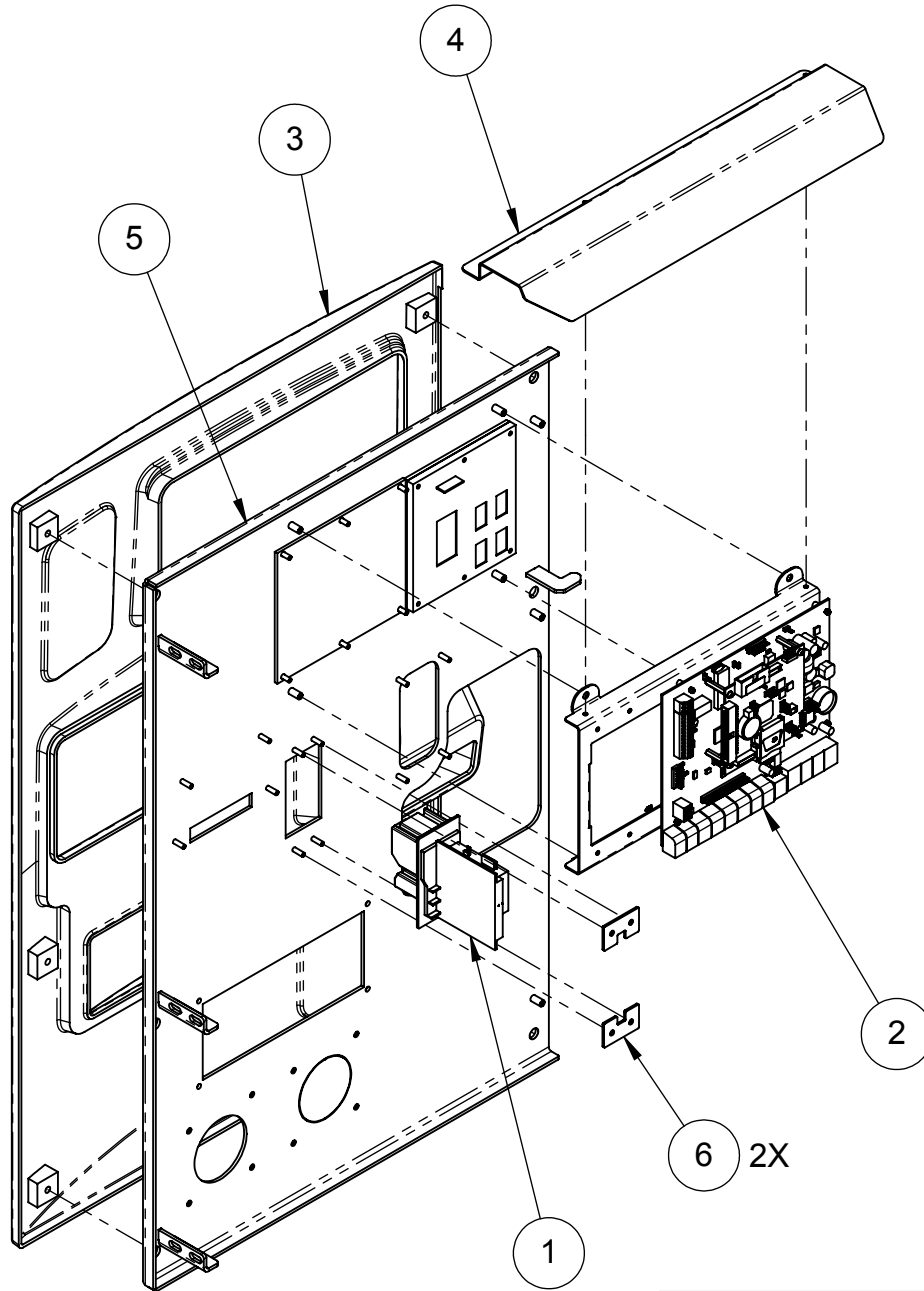
04200046 - PRINTER COMMUNICATION CABLE

COMMON DOOR COMPONENTS  
FOR STANDARD AND  
EMV CAPABLE S-SERIES

PICTORIAL PARTS CATALOG		
DESCRIPTION: COMMON DOOR CMPNT, S-SERIES		
DWG. NO.	REV	SHEET
11010339	00	1 OF 3
		
VEHICLE WASH SYSTEMS		
PART OF OPW		



ITEM	PART #	DESCRIPTION
1	04540053	CARD-READER,MAG-STRIPE,TTL,5V,DUAL-HEAD
2	11010331	CONTROLLER,STANDARD,TITAN,ACCESS
3	06160257	COVER,FACE,ACCESS W/STACKER,ABS,WHT
4	06161026	COVER,FORMED,CONTROLLER,SMART,CARD,ACC
5	06240931	DOOR,STANDARD,ACCESS-S
6	06240283	PLATE,HOLDER,CARD-READER,AL,ACCESS

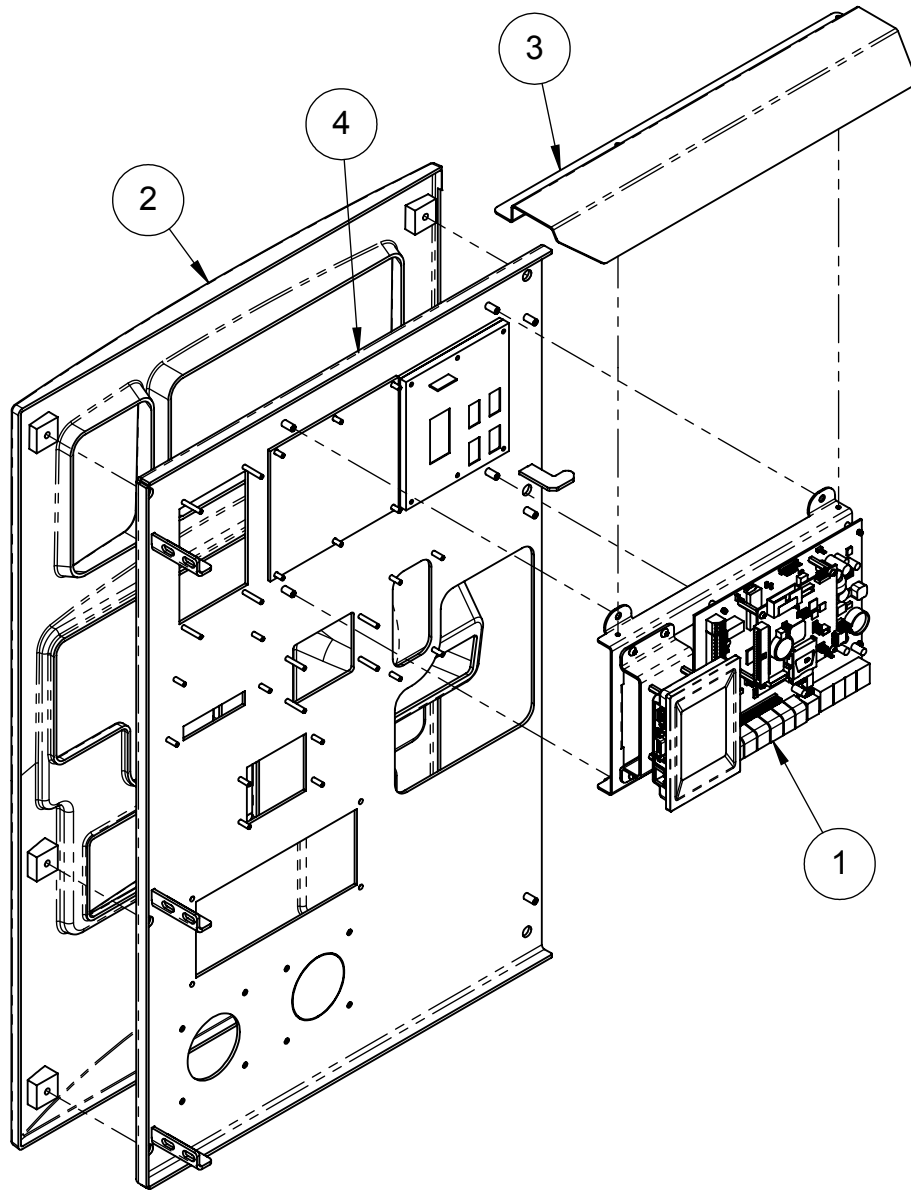


<b>PICTORIAL PARTS CATALOG</b>		
DESCRIPTION: <b>DOOR CMPNT, STD, S-SERIES</b>		
DWG. NO.	REV	SHEET
11010339	00	2 OF 3

COMMON DOOR COMPONENTS FOR  
STANDARD (NON-EMV) S-SERIES





ITEM	PART #	DESCRIPTION
1	11010279	CONTROLLER,SMART-CARD,EMV,TITAN,ACCESS
2	06160519	COVER,ACCESS-S,EMV,W/STACKER,ABS,WHT
3	06161026	COVER,FORMED,CONTROLLER,SMART,CARD,ACC
4	06240932	DOOR,EMV,ACCESS-S

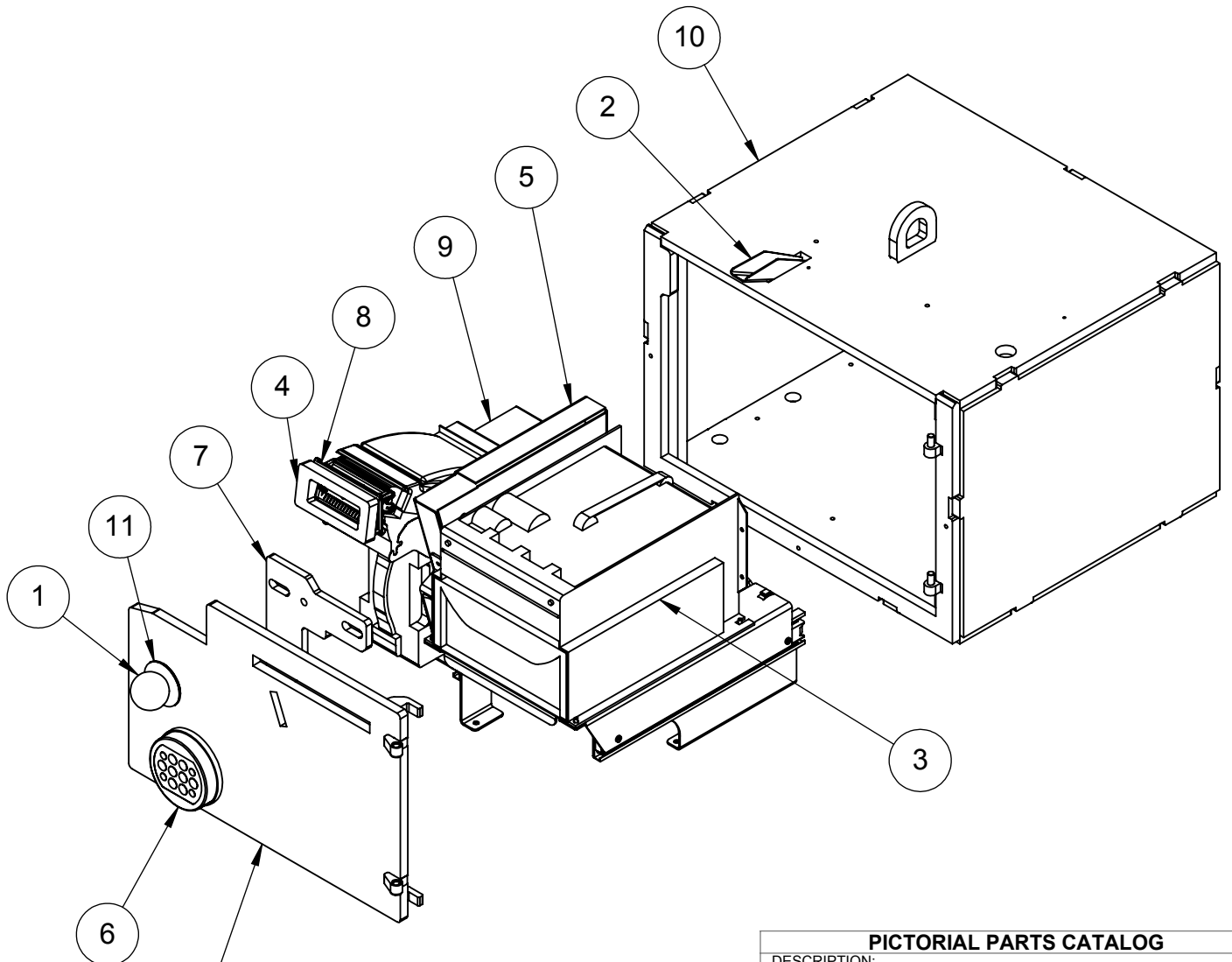


COMMON DOOR COMPONENTS FOR  
S-SERIES WITH EMV

FOR EMV COMPONENTS, SEE  
PAYMENT EXPRESS OR MONERIS  
SYSTEM COMPONENT PAGES




<b>PICTORIAL PARTS CATALOG</b>		
DESCRIPTION: <b>DOOR CMPNT, EMV, S-SERIES</b>		
DWG. NO. <b>11010339</b>	REV <b>00</b>	SHEET <b>3 OF 3</b>
 <b>VEHICLE WASH SYSTEMS</b>		
PART OF OPW		A DOVER COMPANY

ITEM	PART #	DESCRIPTION
1	06490011	BALL KNOB,3/8"-16 THRD,1-7/8" DIA,PLST
2	06240236	COIN-CHUTE,VALIDATOR,FORMED,AL,ACCESS
3	04630001	DISPENSER,BILL,SGL-NOTE,1000,24DC,RS232
4	06070077	GASKET,BEZEL/FASCIA,WHITE,ACC,5/8"
5	06050037	HOUSING,COIN-BOX,AL,ACCESS W/ STACKER
6	02140004	LOCK,COMBINATION,VAULT-DOOR,W/KEY-STOCK
7	06240248	PLATE,FLAT,3/8",CS,BOLT,ACCESS W/STACKER
8	04620022	VALIDATOR,BEZEL,COIN-RESISTANT,66mm,MEI
9	04620009	VALIDATOR,BILL,STACKER-1200,4-WAY,\$1-100
10	11110037	VAULT,DOOR-BOX,CS,GRAY,ACCESS,STACKER
11	05030060	WASHER,M10x60x2mm,FLAT,FABRICATED,SST

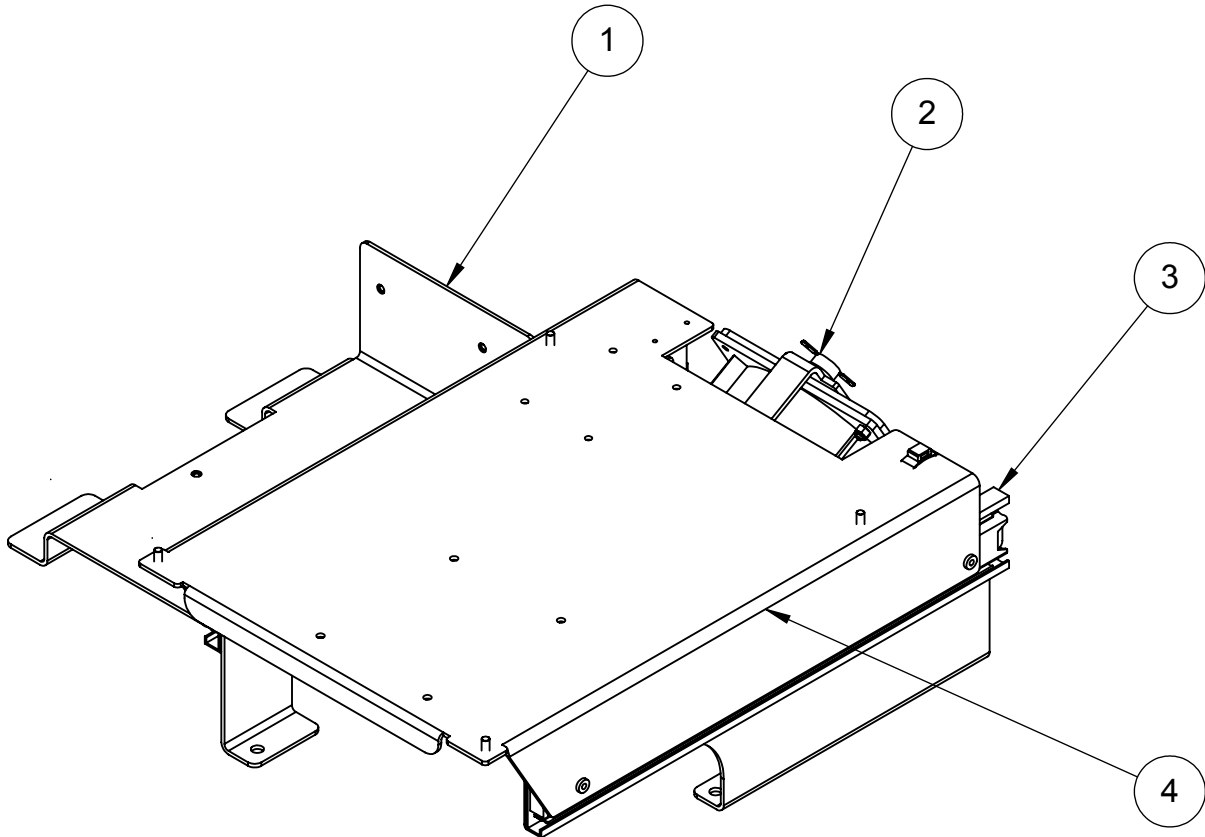


COMPLETE DOOR ASSEMBLY  
P/N 11260022

DOOR ONLY P/N 06160241

PICTORIAL PARTS CATALOG		
DESCRIPTION: <b>VAULT W/STACKER &amp; DISPENSER</b>		
DWG. NO. 11110034	REV 08	SHEET 1 OF 2
		
VEHICLE WASH SYSTEMS		
PART OF OPW		

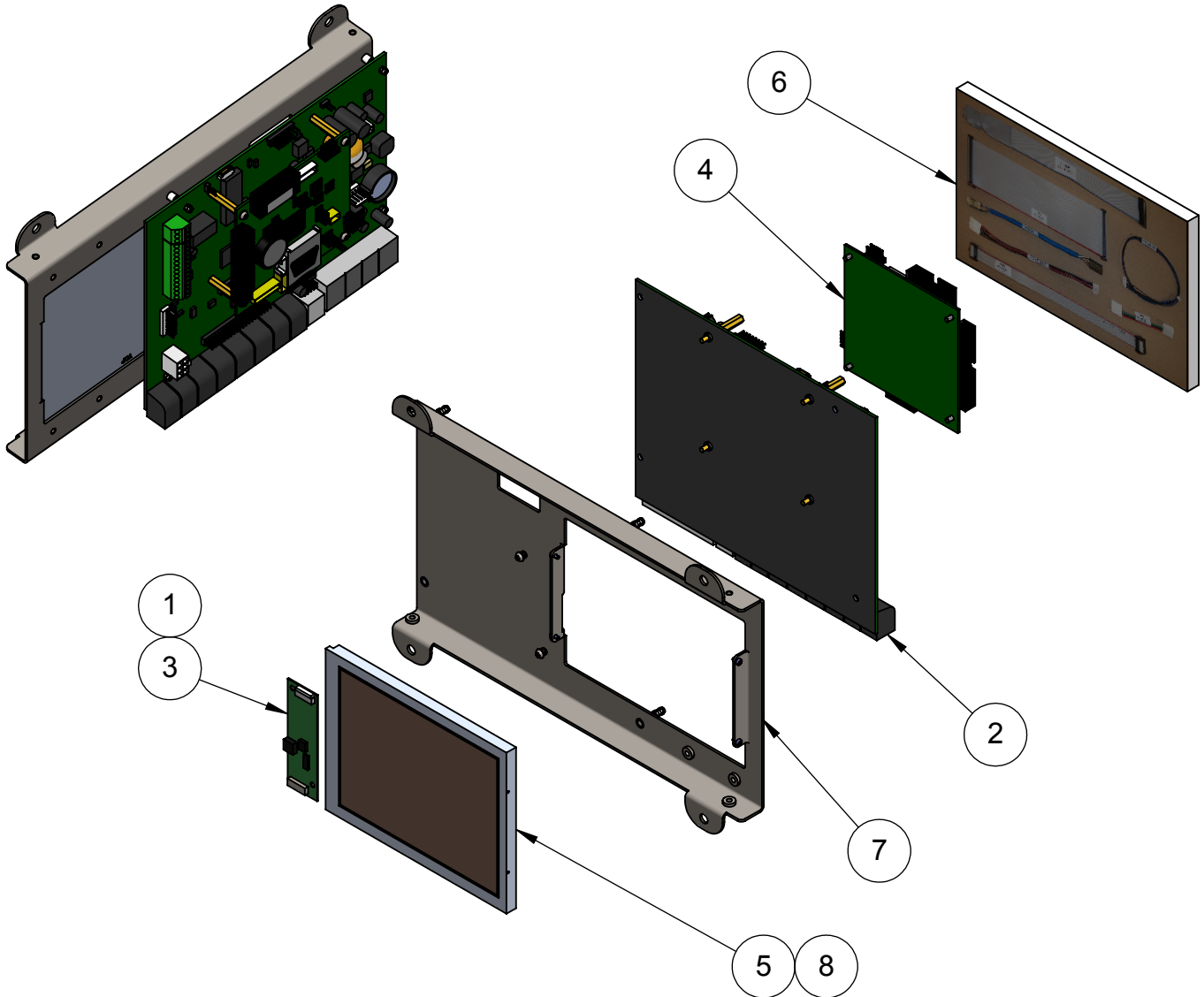
ITEM	PART #	DESCRIPTION
1	06140525	BRACKET,STAND,BILL VAL,AL,ACCESS W/STACK
2	11270020	HEATER,FAN/OPEN-COIL,120VAC,ASSY,ACCESS
3	06470001	SLIDE,DRAWER,FULL-EXT,14",CS,SET
4	06240274	TRAY,DISPENSER,TOP-SLIDE,AL,ACCESS



PICTORIAL PARTS CATALOG			
DESCRIPTION: VAULT W/STACKER & DISPENSER			
DWG. NO.	REV	SHEET	
11110034	08	2 OF 2	



ITEM	PART #	DESCRIPTION
1	04200050	CABLE,INVERTER,LED,DISPLAY,ACCESS
2	04580040	CIRCUIT-BOARD,COMM-HUB,VIPER-CTRL,GEN2
3	04580059	CIRCUIT-BOARD,INVERTER,LED-DRIVER,ACCESS
4	04430025	CONTROLLER,SGL-BRD,TITAN,UNPROGRAMMED
5	04540099	DISPLAY,CONTROLLER,LED,6.5",VGA,NEC,ACC
6	04080586	KIT,CABLE,CONTROLLER,TITAN,LED,ACCESS
7	06240856	PANEL,FORMED,ELEC,COMPONENTS,SMART,CARD
8	05040234	SCREW,M2x4mm,PPHMS,ZINC-PLT



CABLE KIT 04080586 CONTAINS THE FOLLOWING:

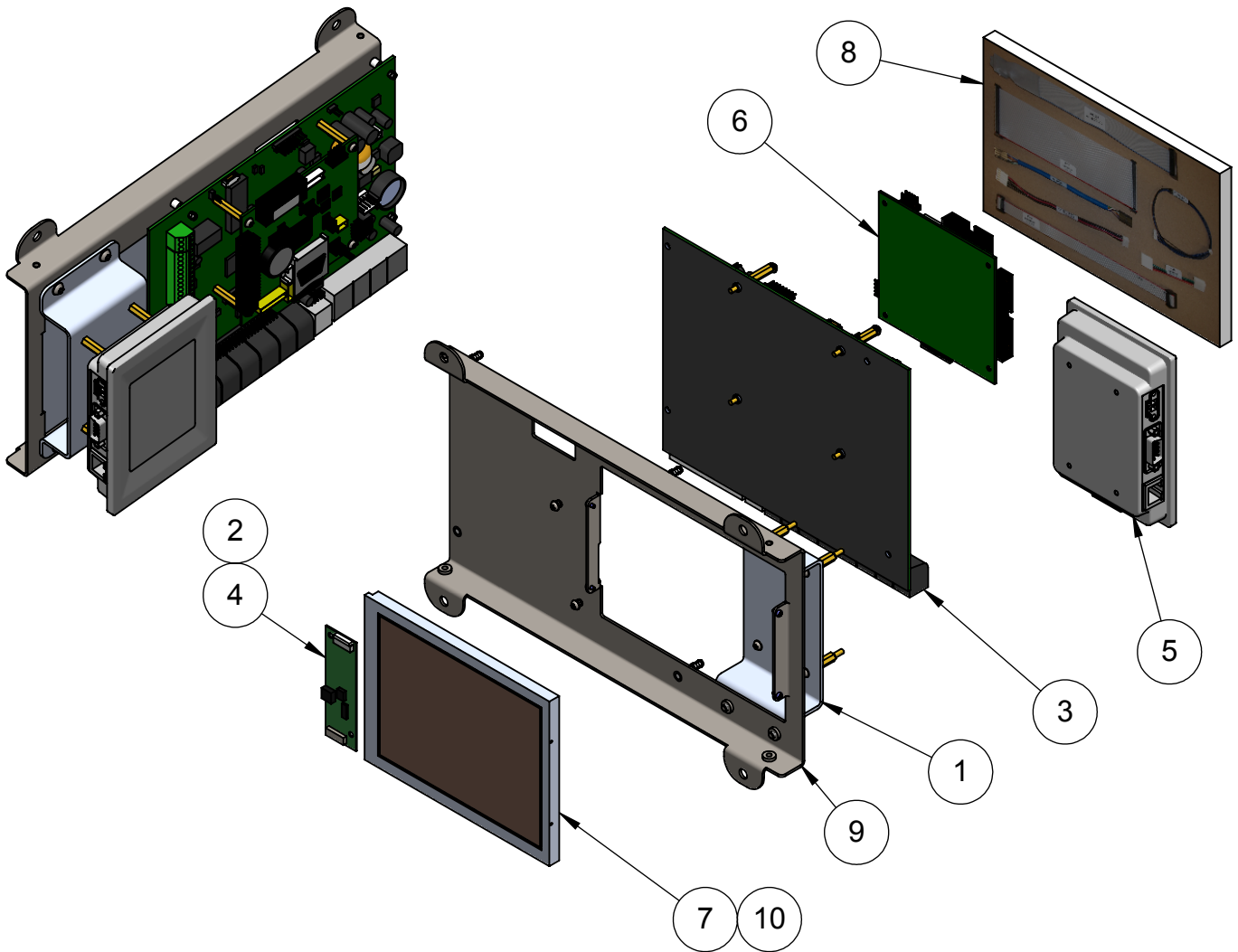
- 04080321 - SCREEN CABLE
- 04080060 - ETHERNET COMMUNICATION CABLE
- 04080062 - SERIAL COMMUNICATION CABLE
- 04080322 - AUDIO CABLE
- 04080080 - USB CABLE
- 04080082 - POWER CABLE
- 04080450 - INVERTER TO HUB BOARD CABLE

**PICTORIAL PARTS CATALOG**  
 DESCRIPTION:  
**CONTROLLER,STD,GEN3,ACCESS**

DWG. NO.	REV	SHEET
11010331	00	1 OF 1



ITEM	PART #	DESCRIPTION
1	06141257	BRACKET,MOUNTING,CONTROLLER,TPC31,ACCESS
2	04200050	CABLE,INVERTER,LED,DISPLAY,ACCESS
3	04580040	CIRCUIT-BOARD,COMM-HUB,VIPER-CTRL,GEN2
4	04580059	CIRCUIT-BOARD,INVERTER,LED-DRIVER,ACCESS
5	04430035	CONTROLLER,COM-ADAPTER,TPC-31,EMV,ACCESS
6	04430025	CONTROLLER,SGL-BRD,TITAN,UNPROGRAMMED
7	04540099	DISPLAY,CONTROLLER,LED,6.5",VGA,NEC,ACC
8	04080586	KIT,CABLE,CONTROLLER,TITAN,LED,ACCESS
9	06240856	PANEL,FORMED,ELEC,COMPONENTS,SMART,CARD
10	05040234	SCREW,M2x4mm,PPHMS,ZINC-PLT



CABLE KIT 04080586 CONTAINS THE FOLLOWING:

- 04080321 - SCREEN CABLE
- 04080060 - ETHERNET COMMUNICATION CABLE
- 04080062 - SERIAL COMMUNICATION CABLE
- 04080322 - AUDIO CABLE
- 04080080 - USB CABLE
- 04080082 - POWER CABLE
- 04080450 - INVERTER TO HUB BOARD CABLE

**PICTORIAL PARTS CATALOG**  
 DESCRIPTION:  
 CONTROLLER,EMV,GEN3,ACCESS

DWG. NO.	REV	SHEET
11010279	00	1 OF 1



ITEM	PART #	DESCRIPTION
1	04540102	CARD-READER,SCR200,PAYX
2	04540103	CONTACTLESS-READER,BRF210,PAYX
3	04540101	PIN-PAD,SKP200,PAYX
4	04170036	POWER-SUPPLY,PAY-SYSTEM,PAYX,12VDC



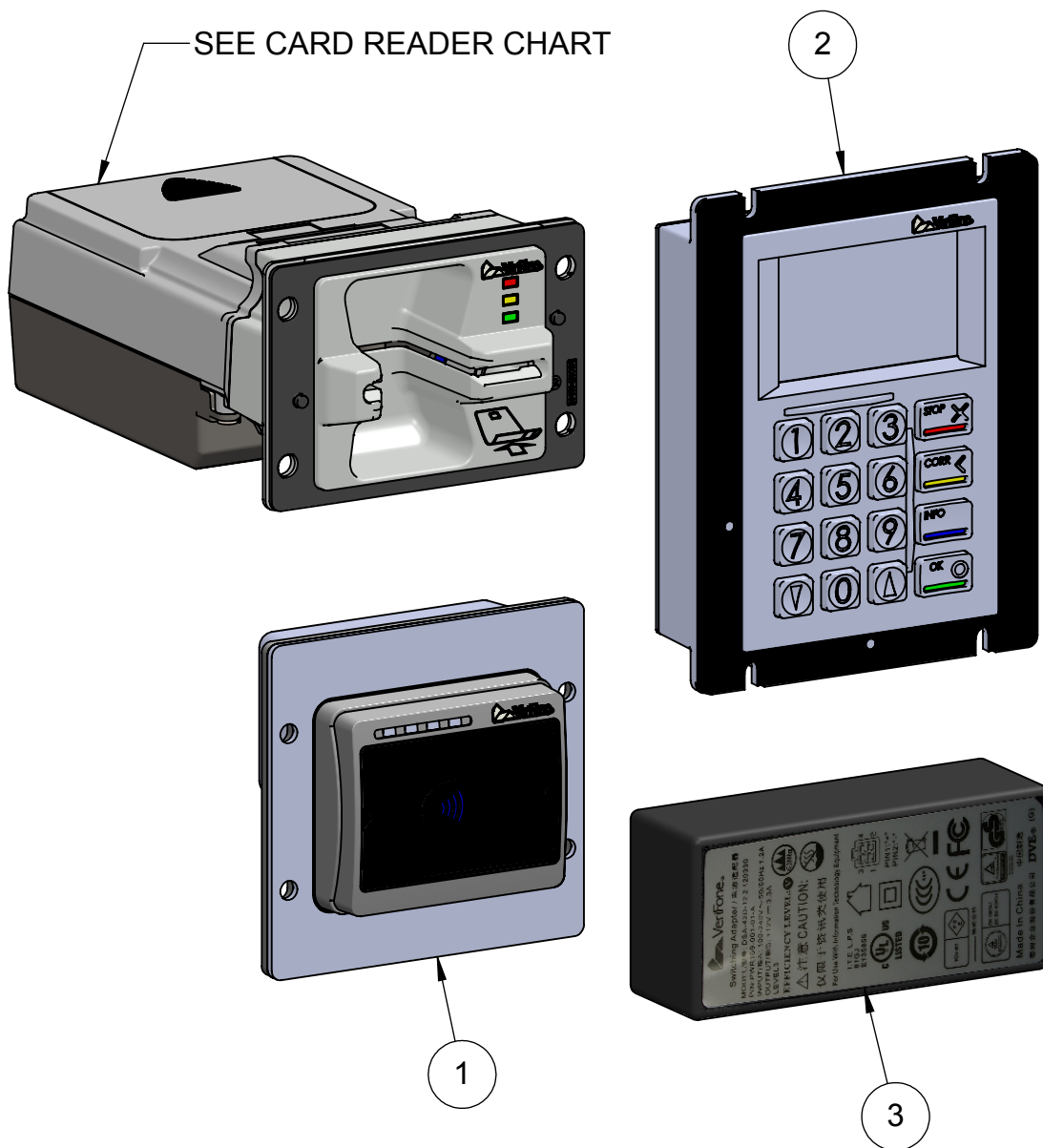
FOR CABLE INFORMATION,  
SEE PAYMENT EXPRESS PAY SYSTEM ELECTRICAL SCHEMATIC # 10030091

PICTORIAL PARTS CATALOG		
DESCRIPTION: PAYMENT EXPRESS EMV SYSTEM COMPONENTS		
DWG. NO. 04540104	REV 02	SHEET 1 OF 1





ITEM	PART #	DESCRIPTION
1	04540091	CONTACTLESS-READER,UX400,MSC
2	04540092	PIN-PAD,UX100,MSC
3	04170035	POWER-SUPPLY,PAY-SYSTEM,MSC,12VDC



FOR CABLE INFORMATION,  
SEE MONERIS PAY SYSTEM ELECTRICAL SCHEMATIC # 10030090

CARD READER CHART	
PDQ P/N	REGION
04540093	CANADA (EAST)
04540096	CANADA (CENTRAL)
04540107	CANADA (WEST)
04540110	USA (ALL)

PICTORIAL PARTS CATALOG		
DESCRIPTION: <b>MONERIS EMV SYSTEM COMPONENTS</b>		
DWG. NO. <b>04540105</b>	REV <b>00</b>	SHEET <b>1 OF 1</b>
VEHICLE WASH SYSTEMS		
PART OF OPW		DOVER COMPANY



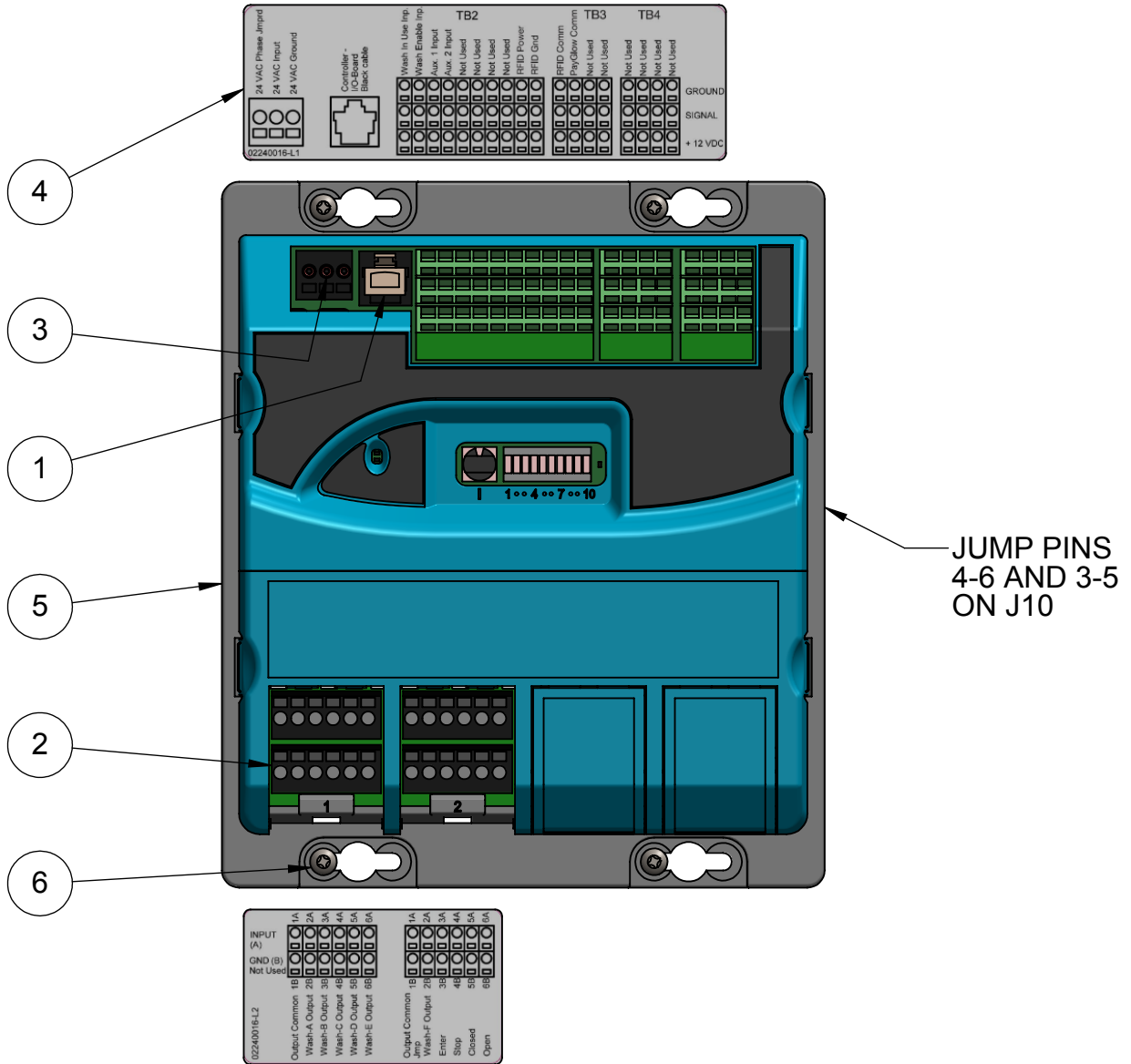


## Accessory Components

---




ITEM	PART #	DESCRIPTION
1	04200030	CABLE,CAT5E,PATCH,RJ45,4',BLACK
2	04580019	CIRCUIT-BOARD,OUTPUT,5-RELAY,6A
3	04080161	HARNESS,I/O-NODE-KIT,ACCESS,VIPER/TITAN
4	02240016	LABEL,IDENT,ACCESS,I/O-NODE,CABLE-CON
5	11010052	NODE,I/O-MODULE,10IN,20OUT,4US,2SERIAL
6	05040013	SCREW,M4x12mm,PPHMS,SST



**PICTORIAL PARTS CATALOG**

DESCRIPTION:  
**I/O-,KIT,ACCESS,VIPER,TITAN**

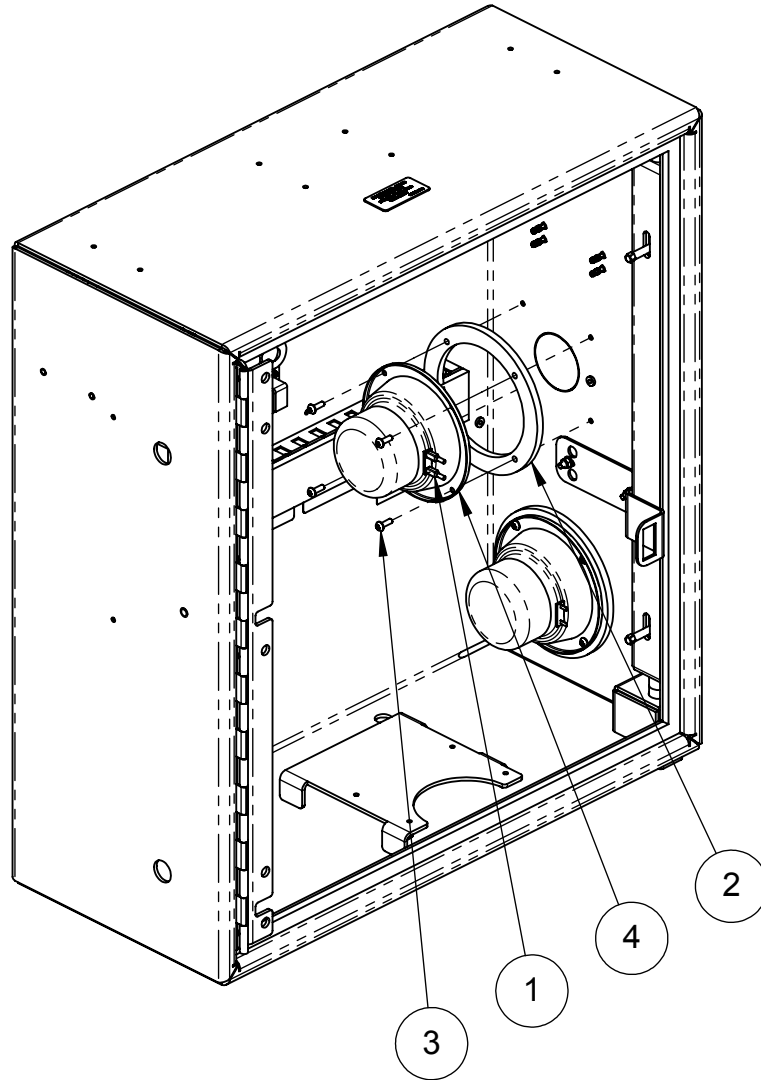
DWG. NO. <b>11010096</b>	REV <b>04</b>	SHEET <b>1 OF 1</b>
-----------------------------	------------------	------------------------




**VEHICLE WASH SYSTEMS**

PART OF OPW 

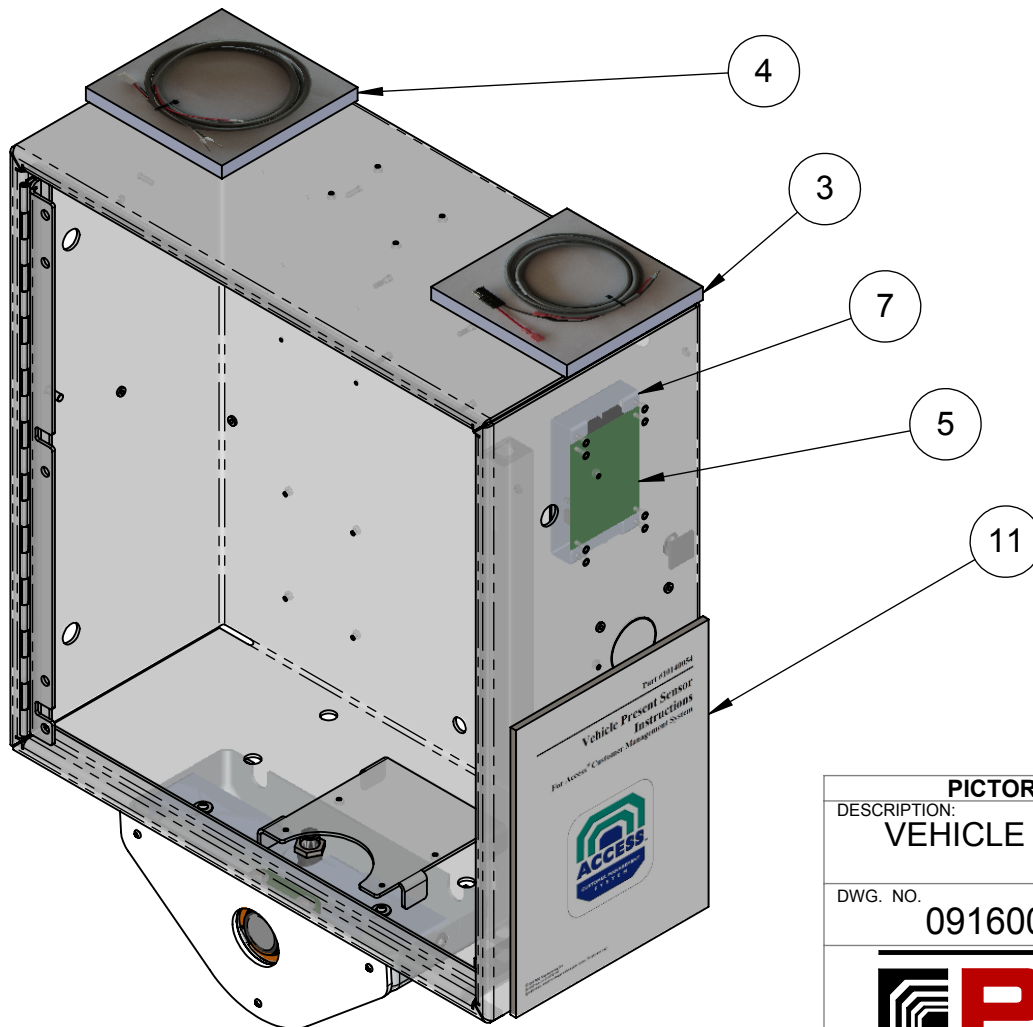
ITEM	PART #	DESCRIPTION
1	04200048	CABLE,SPEAKER,52.5",ACCESS
2	06070053	GASKET,SPEAKER-ADAPTER,SBR
3	05040013	SCREW,M4x12mm,PPHMS,SST
4	04550010	SPEAKER,4",8-OHM,15-WATT






<b>PICTORIAL PARTS CATALOG</b>		
DESCRIPTION: <b>INTERCOM PACKAGE</b>		
DWG. NO. <b>09110036</b>	REV <b>02</b>	SHEET <b>1 OF 1</b>

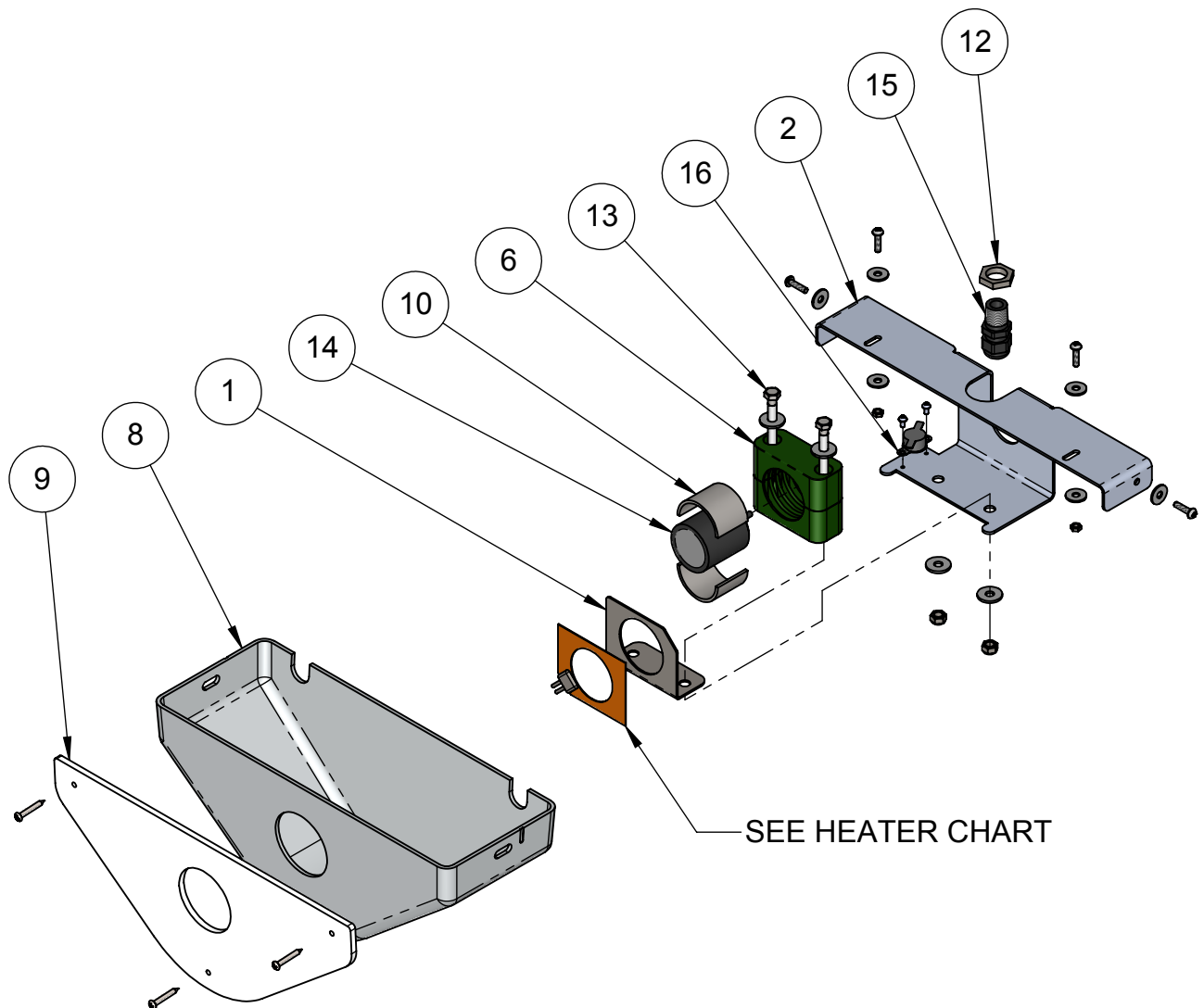


ITEM	PART #	DESCRIPTION
1	06140479	BRACKET,MOUNT,ULTRASONIC,HEAT,G5-S
2	06140539	BRACKET,SENSOR,VEHICLE-PRESENT,ACCESS
3	04080053	CABLE,HEAT,2,VEHICLE-SENSOR,ACCESS
4	04080164	CABLE,ULTRASONIC,SAU TO COMM-HUB BOARD
5	04580020	CIRCUIT-BOARD,ULTRASONIC,STAND-ALONE
6	05050064	CLAMP,PIPE,1-1/4x2.75x1.125,PA
7	06160191	COVER,CIRCUIT-BOARD,ULTRASONIC,AL,ACCESS
8	06160248	COVER,ULTRASONIC,SIDE,G5-S,ABS
9	06160319	COVER,VPS,ULTRASONIC,N&B,FLAT,ABS
10	06060015	CUSHION,ULTRASONIC-MOUNT,SILICONE
11	10140054	INST-SHEET,SENSOR,VEHICLE-PRESENT,ACCESS
12	04450004	NUT,3/8"NPT,NYLON
13	05040019	SCREW,M6x70MM,HHCS,SST
14	04420026	SENSOR,ULTRASONIC,75kHz,15'CBL,1.5"DIA
15	04450003	STRAIN-RELIEF,3/8"NPT,.138-.315,NYLON
16	32901	SWITCH,TEMP,55-65F,NC,120V/15A,SNAP-DISC



<b>PICTORIAL PARTS CATALOG</b>		
DESCRIPTION: <b>VEHICLE PRESENT SENSOR</b>		
DWG. NO. <b>09160012</b>	REV <b>07</b>	SHEET <b>1 OF 2</b>
 <b>VEHICLE WASH SYSTEMS</b>		
PART OF OPW		

HEATERR CHART		
ASSEMBLY	HEATER	VOLTAGE
09160012	04080125	24AC
09160023	04080501	120AC



**PICTORIAL PARTS CATALOG**

DESCRIPTION:  
**VEHICLE PRESENT SENSOR**

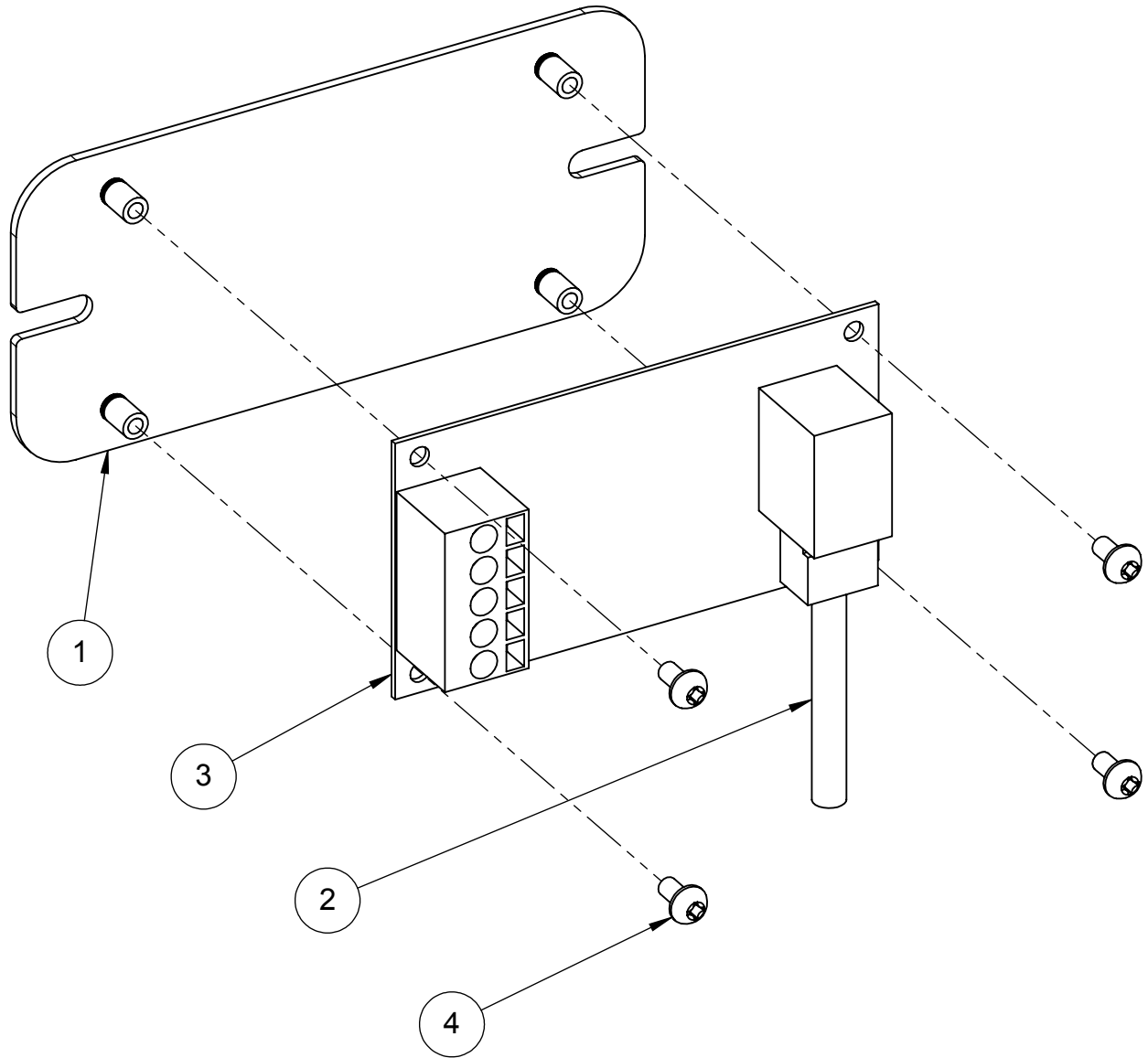
DWG. NO.	REV	SHEET
09160012	07	2 OF 2



**VEHICLE WASH SYSTEMS**

PART OF OPW DOVER COMPANY

ITEM	PART #	DESCRIPTION
1	06141051	BRACKET,BOARD-MOUNT,SURGE-SUPRESS,POS
2	04080380	CABLE,SURGE-SUPPRESSION,330mm,POS-ACCESS
3	04580050	CIRCUIT-BOARD,SURGE-SUPPRESS,RS485,POS
4	05040140	SCREW,M3x6mm,PPHMS,SST



**PICTORIAL PARTS CATALOG**

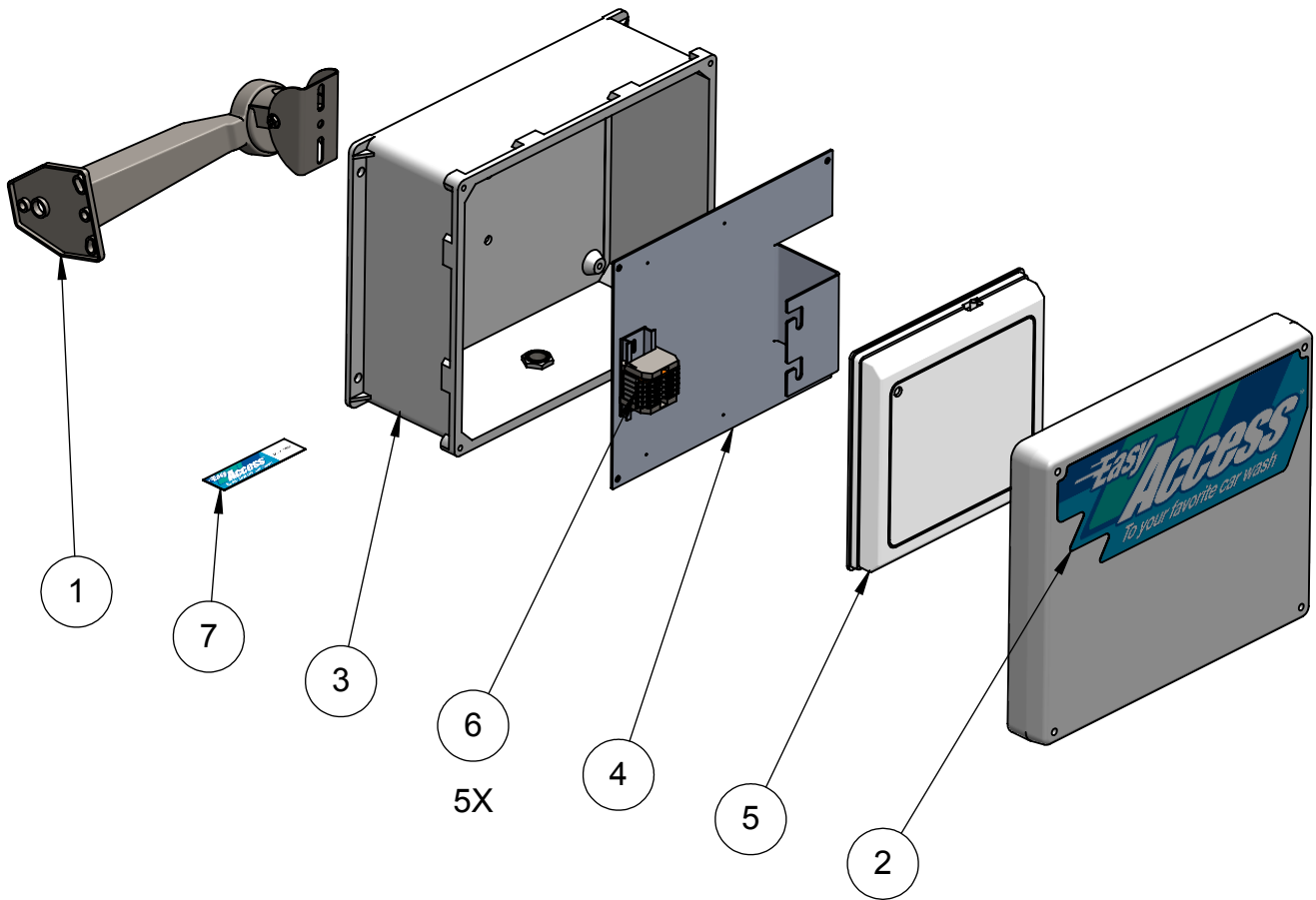
DESCRIPTION:  
**POS-SURGE-SUPPRESSION**

DWG. NO.	REV	SHEET
11350301	02	1 OF 1



PART OF OPW  COMPANY

ITEM	PART #	DESCRIPTION
1	06140844	BRACKET,RFID-READER,MOUNTING,ACCESS
2	02030217	DECAL,RFID-READER,EASY-ACCESS
3	04090110	ENCLOSURE,12x10",FIBERGLASS
4	06240355	PLATE,BACKPLANE,RFID&NODE,MTG,ACCESS
5	04540070	READER,RFID,LONG-RANGE,AWID-MPR2010-BR
6	36506	TERMINAL-BLK,26-12GA,2P,PLST,280-601
7	04610019	TAG,RFID,WINDSHIELD,EASY-ACCESS



**PICTORIAL PARTS CATALOG**

DESCRIPTION:

**LONG RANGE RFID**

DWG. NO.

09030078

REV

02

SHEET

1 OF 1



VEHICLE WASH SYSTEMS



PART OF OPW

DOVER COMPANY



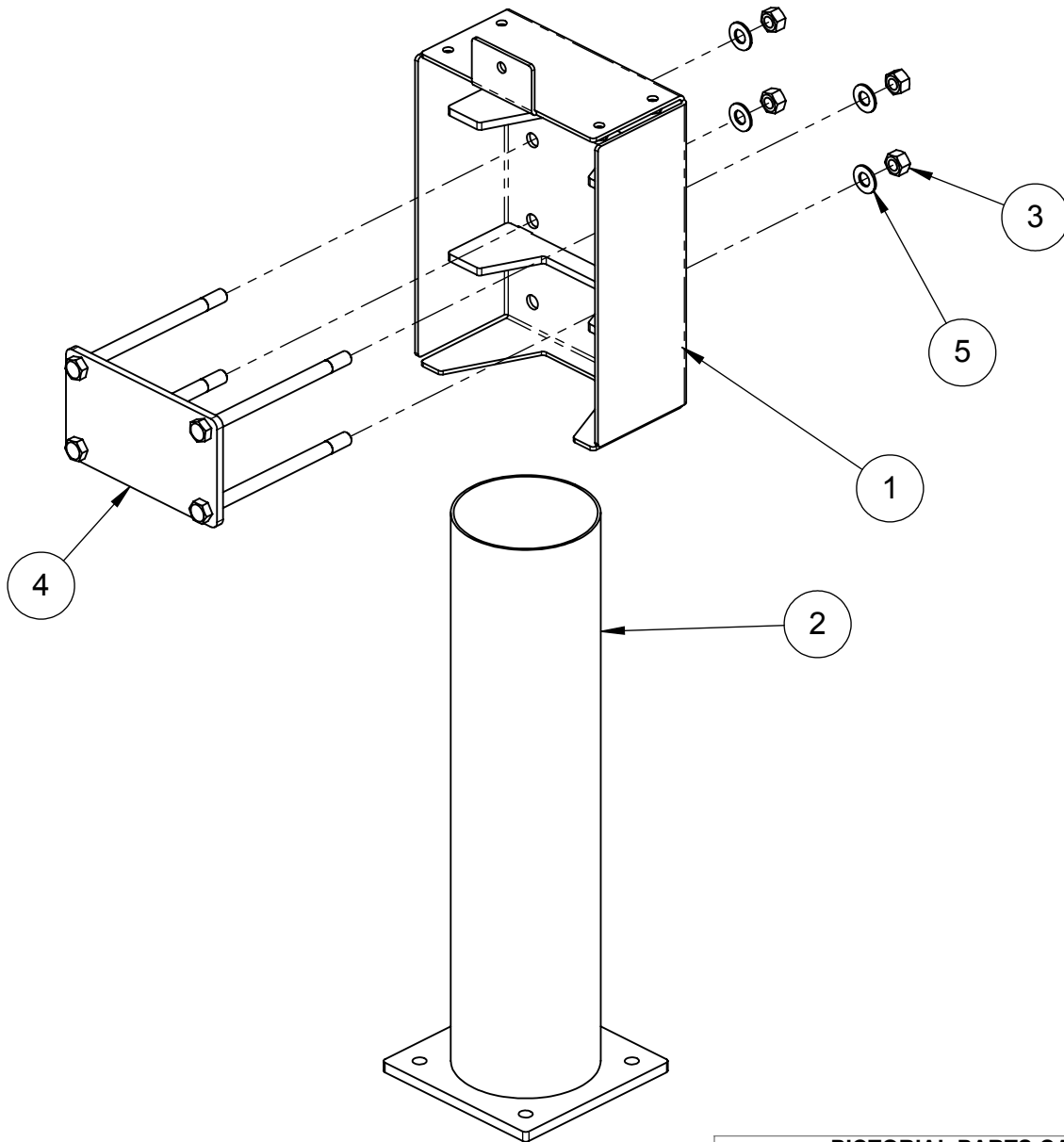




## Install Systems and Image Package

---

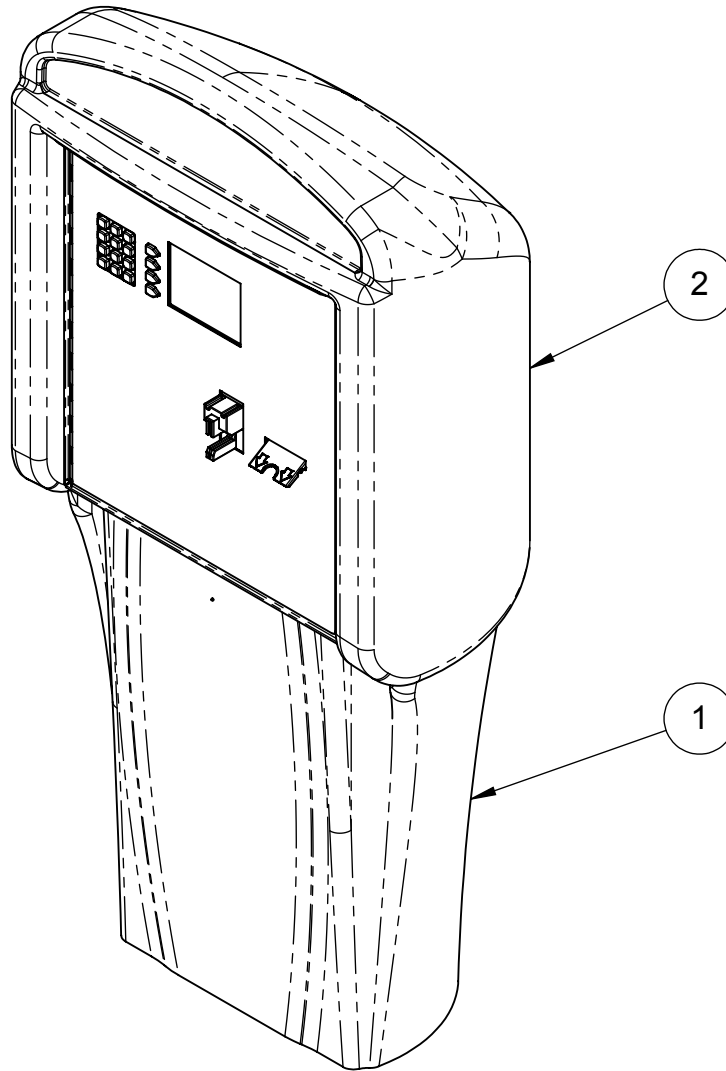


ITEM	PART #	DESCRIPTION
1	06140527	BRACKET, ENCL-POST-MOUNT, WLD, N&B-SERIES
2	06250037	FRAME, LEG-POST, ACCESS, WELDMNT, N/B-SERIES
3	05020016	NUT, 5/8-11, HEX, CS
4	06240282	PLATE, POST/ENCL-MOUNT, CS, BOLT-PLATE
5	71517-FS	WASHER, 5/8, FLAT, SST



<b>PICTORIAL PARTS CATALOG</b>		
DESCRIPTION: <b>PEDESTAL ACCESS-N/B</b>		
DWG. NO. <b>11080039</b>	REV <b>02</b>	SHEET <b>1 OF 1</b>
 <b>VEHICLE WASH SYSTEMS</b>		
<small>PART OF OPW</small>		<small>A DOVER COMPANY</small>

ITEM	PART #	DESCRIPTION
1	06160244	COVER,BOTTOM-HOOD,PLASTIC,MOLDED,GRAY
2	06160243	COVER, TOP-HOOD,PLASTIC,MOLDED,GRAY



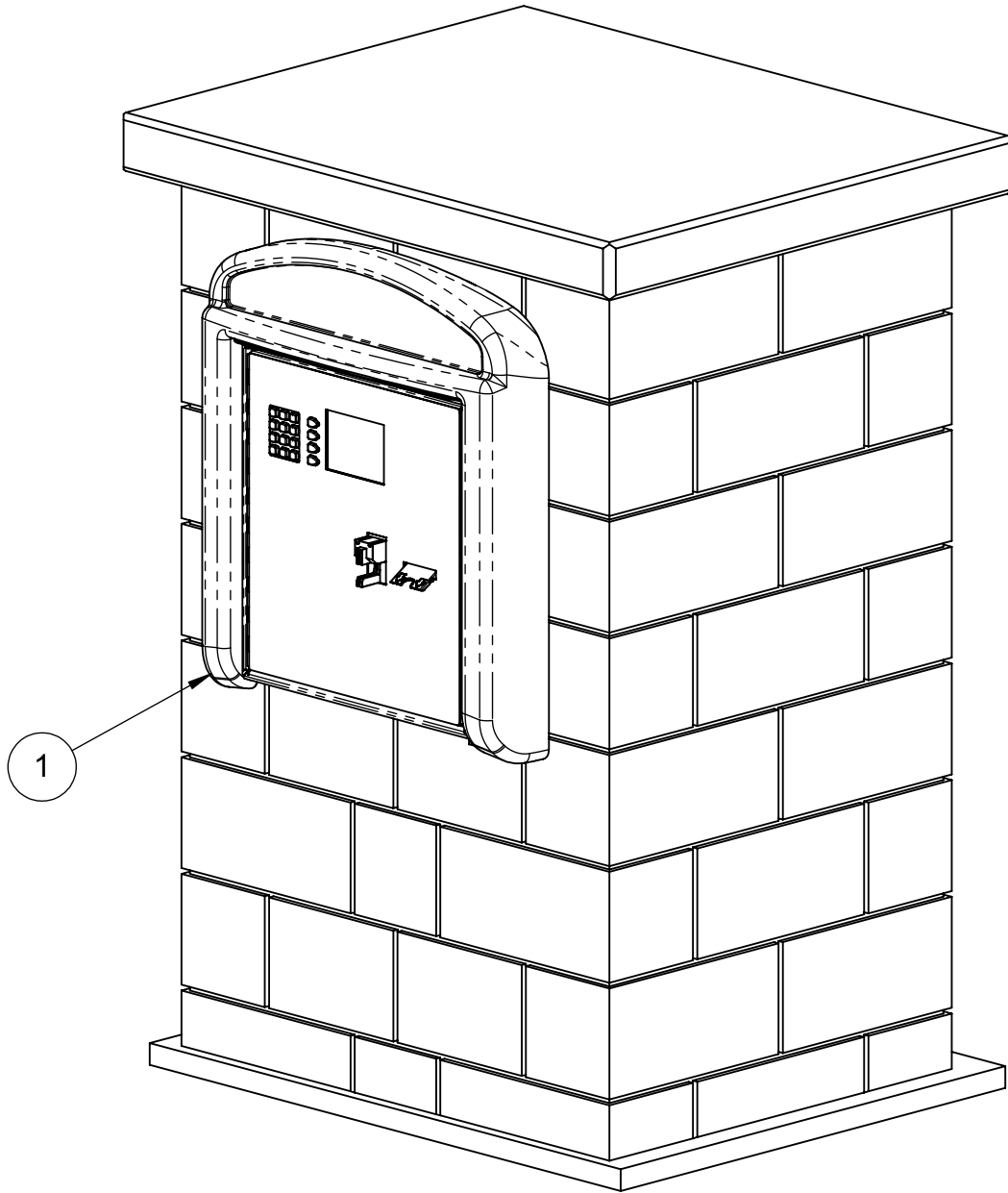
**PICTORIAL PARTS CATALOG**

DESCRIPTION:  
**BASIC IMAGE, ACCESS-N/B**

DWG. NO.	REV	SHEET
09110102	00	1 OF 1



ITEM	PART #	DESCRIPTION
1	06160251	COVER,HOOD,PLASTIC,BRICKED-IN,ACCESS,N&B



**PICTORIAL PARTS CATALOG**

DESCRIPTION:  
**BRICKED IN IMAGE, ACCESS-N/B**

DWG. NO.	REV	SHEET
09110103	00	1 OF 1

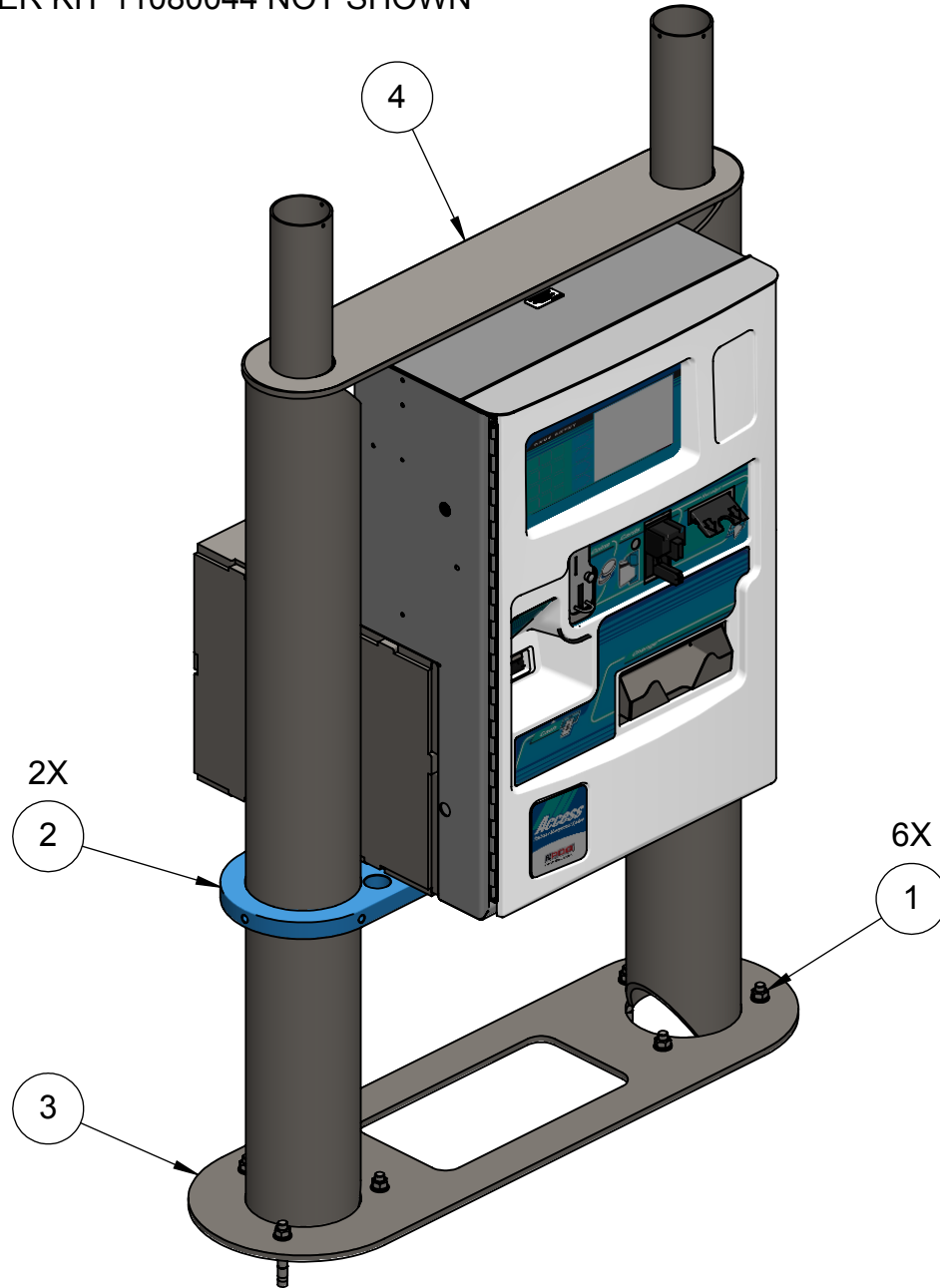


**VEHICLE WASH SYSTEMS**

PART OF OPW 

ITEM	PART #	DESCRIPTION
1	05090001	ANCHOR,STUD,1/2-13UNCx3-3/4",SST
2	06140256	BRACKET,VAULT-PEDESTAL-MOUNTING,STEEL
3	07040029	FRAME,PEDESTAL,SURFACE-MOUNT,ENTRY-UNIT
4	07040025	FRAME,WELDED,POST/TOPPER,STEEL,PAINTED

NOTE: FASTENER KIT 11080044 NOT SHOWN

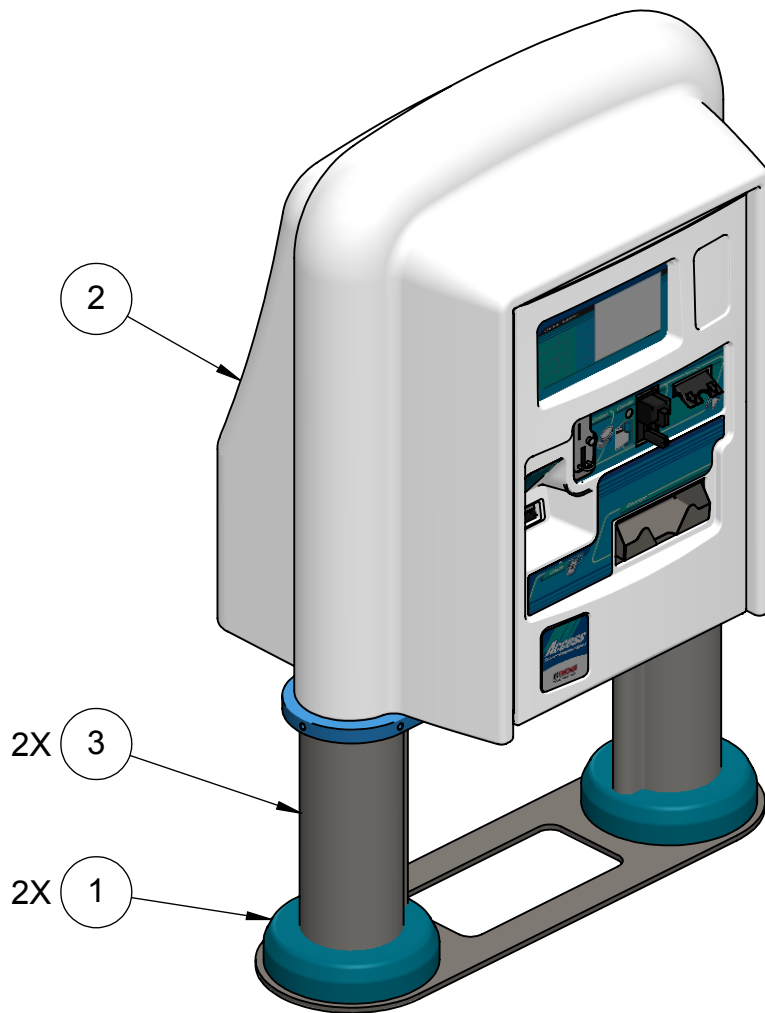


FASTENER KIT 11080044 INCLUDES THE FOLLOWING:

- (4) 05170006 - SET SCREW
- (4) 05040094 - M8x16MM SCREW
- (4) 05040197 - M16x30MM SCREW
- (4) 05030018 - M8 WASHER
- (4) 73646-CNFS - 10-32x.75 SCREW
- (4) 05030020 - M16 WASHER
- (8) 05040156 - M5x16MM NYLON SCREW

PICTORIAL PARTS CATALOG		
DESCRIPTION: SURFACE INSTALL PACKAGE		
DWG. NO. 09110032	REV 02	SHEET 1 OF 1
		
VEHICLE WASH SYSTEMS		
PART OF OPW		

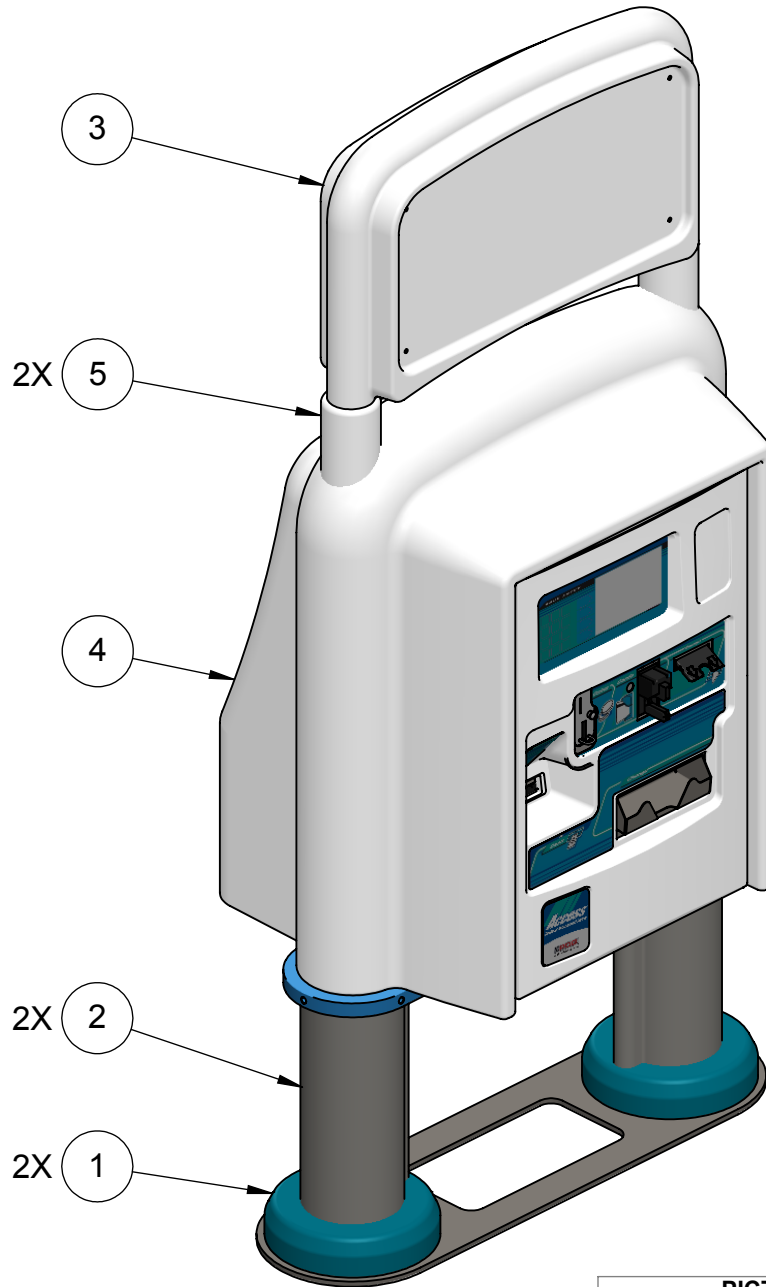
ITEM	PART #	DESCRIPTION
1	06160102	COVER,GROUND,PLASTIC,MLD-BLUE
2	06160134	COVER,HOOD,PLASTIC,MOLDED,GRAY-NO HOLES
3	06160103	COVER,POST,PLASTIC,MLD-GRAY-27" LONG



<b>PICTORIAL PARTS CATALOG</b>		
DESCRIPTION: <b>BASIC IMAGE PACKAGE</b>		
DWG. NO.	REV	SHEET
09110090	01	1 OF 1



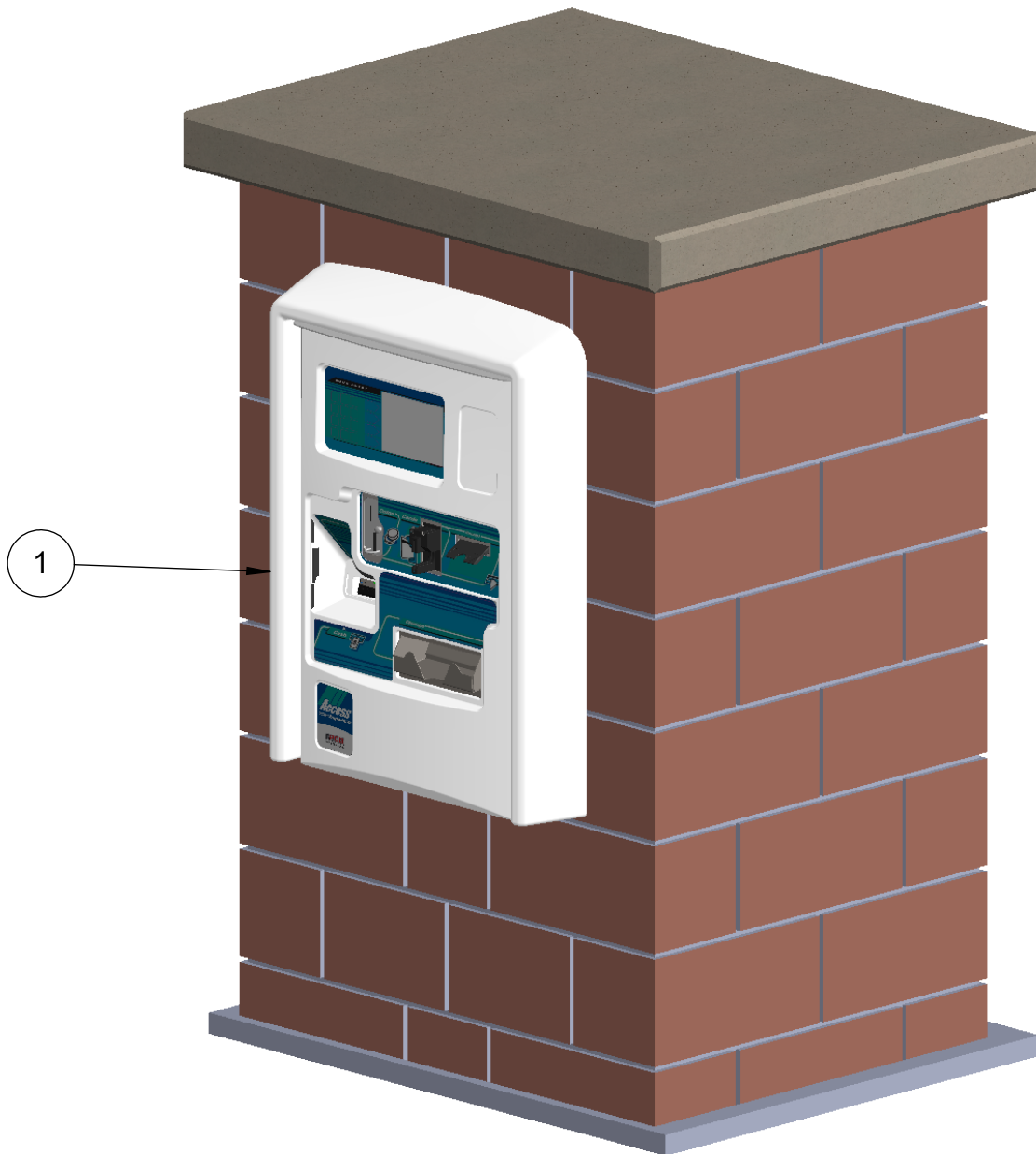
ITEM	PART #	DESCRIPTION
1	06160102	COVER,GROUND,PLASTIC,MLD-BLUE
2	06160103	COVER,POST,PLASTIC,MLD-GRAY-27" LONG
3	06250003	FRAME,ROTATIONAL-MOLDED,SIGN-TOPPER,BODY
4	06160100	COVER,HOOD,PLASTIC,MOLDED,GRAY,TOP-HOLES
5	06120015	GUARD,POST,TOPPER-MOUNTING,ACCESS



<b>PICTORIAL PARTS CATALOG</b>		
DESCRIPTION: <b>ADVANCED IMAGE PACKAGE</b>		
DWG. NO. <b>09110035</b>	REV <b>03</b>	SHEET <b>1 OF 1</b>
 <b>VEHICLE WASH SYSTEMS</b>		
<small>PART OF OPW</small>		<small>A DOVER COMPANY</small>



ITEM	PART #	DESCRIPTION
1	06160135	COVER,HOOD,PLASTIC,MLD,BRICKED-IN,ACC



**PICTORIAL PARTS CATALOG**

DESCRIPTION:  
**BRICKED IN IMAGE, ACCESS-S**

DWG. NO.	REV	SHEET
09110101	00	1 OF 1





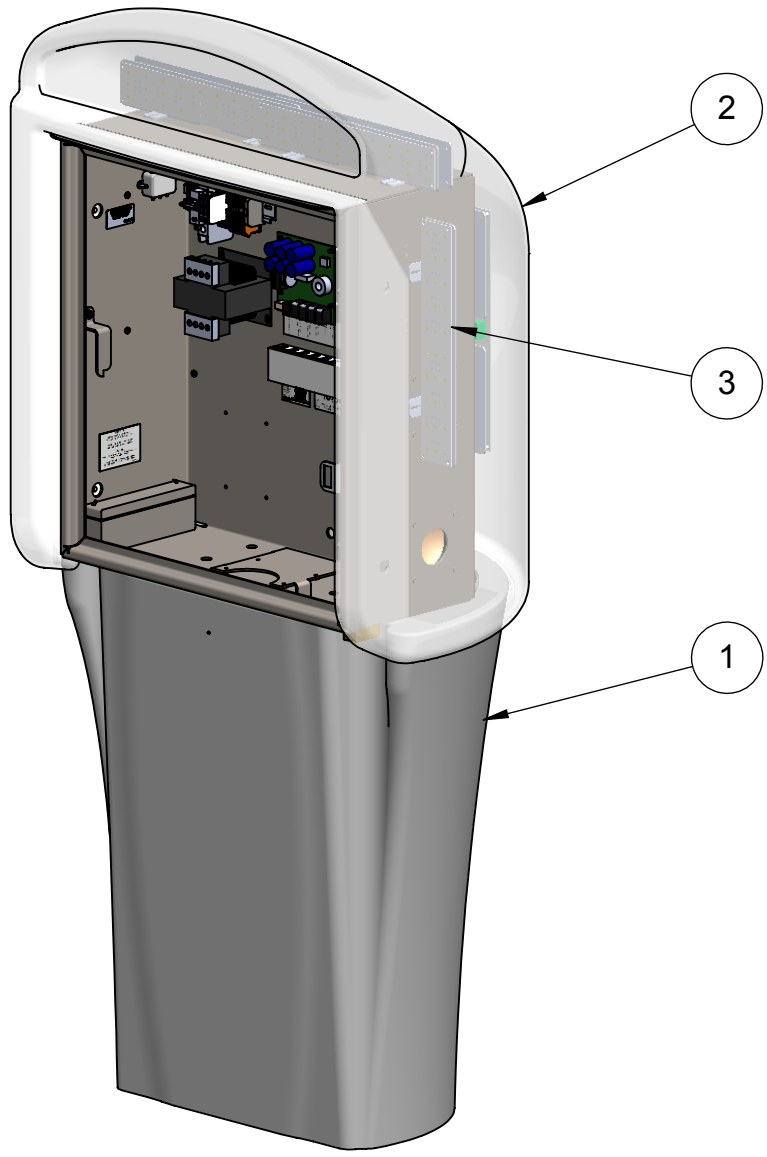


PayGlow

---

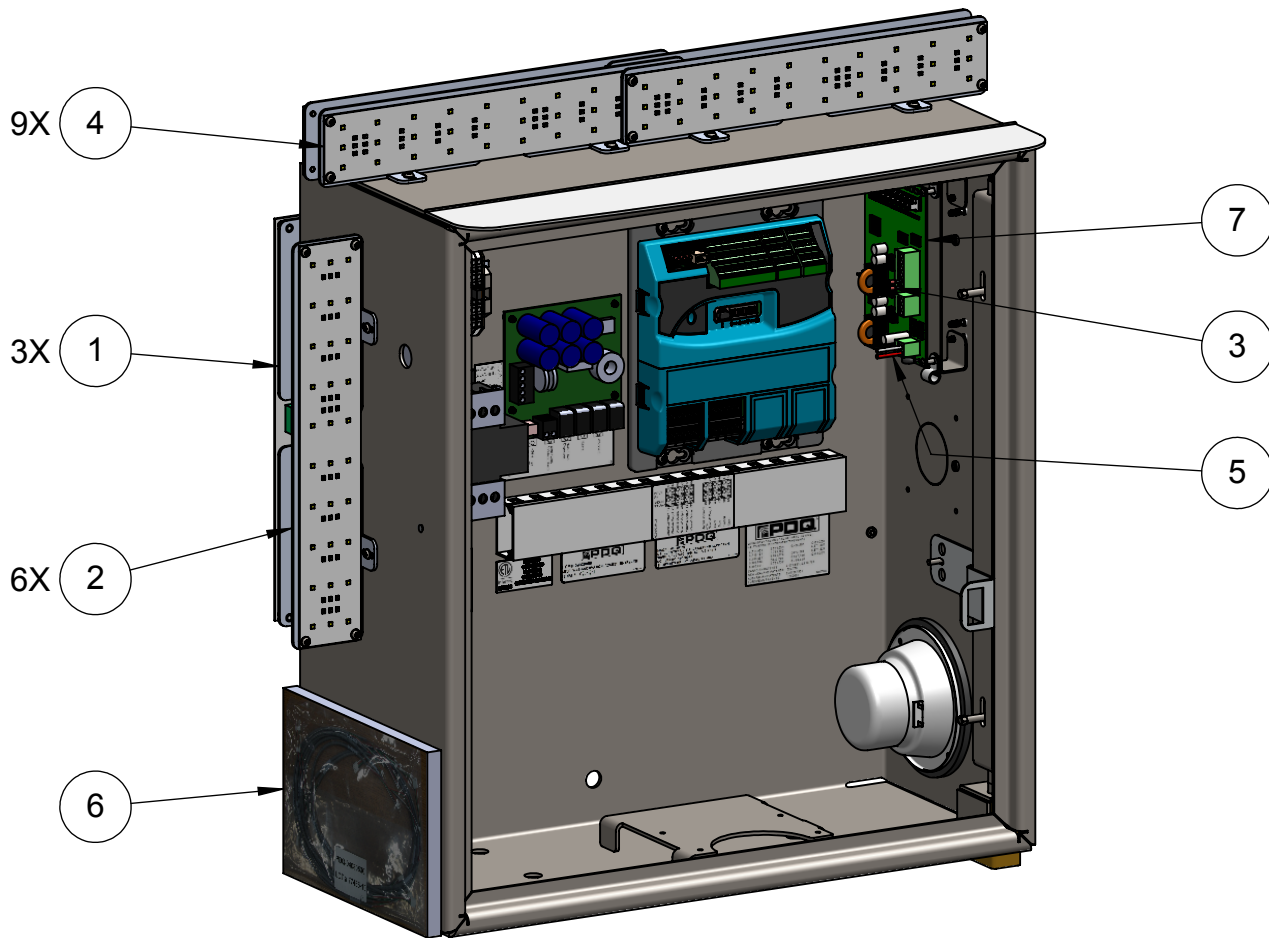


ITEM	PART #	DESCRIPTION
1	06160244	COVER,BOTTOM-HOOD,PLASTIC,MOLDED,GRAY
2	06161019	COVER, TOP-HOOD,NAT-WHITE,MOLDED,N&B-ACC
3	11310110	LIGHT,KIT,LED-BAR,ASSY,PAYGLOW,N/B-STND



<b>PICTORIAL PARTS CATALOG</b>		
DESCRIPTION: <b>STANDARD PAYGLOW, N/B</b>		
DWG. NO. <b>09100187</b>	REV <b>01</b>	SHEET <b>1 OF 1</b>
 <b>VEHICLE WASH SYSTEMS</b>		
<small>PART OF OPW</small>		<small>A DOVER COMPANY</small>

ITEM	PART #	DESCRIPTION
1	06141210	BRACKET,SUPPORT,BACK,LED-SMD,GLOW,B-AC
2	06141209	BRACKET,SUPPORT,SIDES,LED-SMD,GLOW,B-AC
3	04080524	CABLE,COMMUNICATION,PAYGLOW,SHIELDED
4	04580049	CIRCUIT-BOARD,LED,SMD,3-COLOR
5	04080610	HARNESS,24V-POWER,PCB,PAYGLOW,ACCESS
6	04080530	HARNESS,KIT,PAYGLOW,ACCESS-N/B
7	11310113	LIGHT,KIT,LED-BOARD,SUB-ASSY,PAYGLOW



HARNESS KIT 04080530 INCLUDES:  
 (5) 28" CABLES 04080526  
 (4) 36" CABLES 04080527.

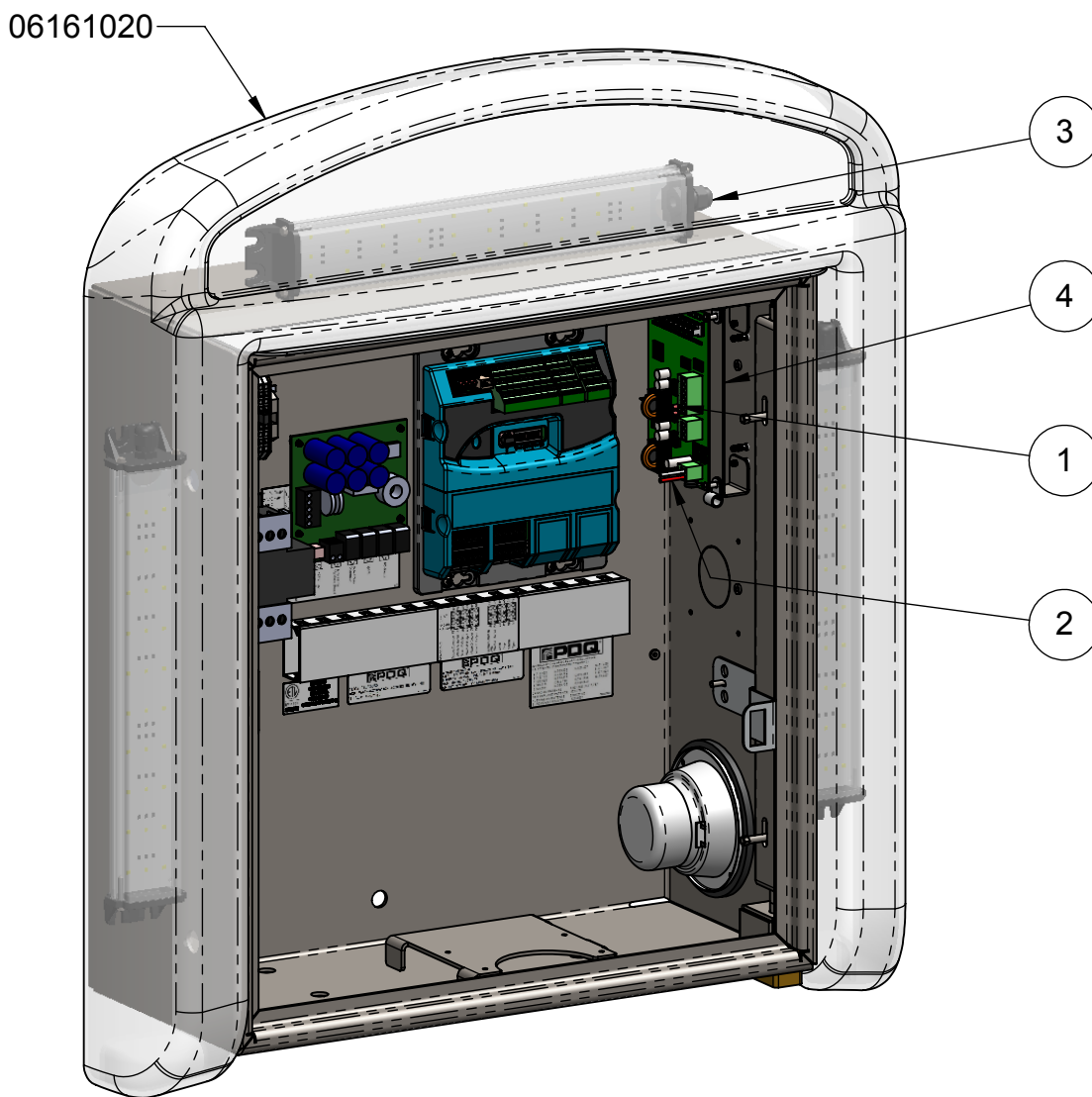
LED BOARD ASSEMBLY 11310113 INCLUDES  
 SUPPORT BRACKET AND CABLE CLAMPS.  
 CIRCUIT BOARD ONLY P/N 04580044.

<b>PICTORIAL PARTS CATALOG</b>		
DESCRIPTION: <b>STD PAYGLOW LIGHT KIT, N/B</b>		
DWG. NO.	REV	SHEET
11310110	03	1 OF 1



ITEM	PART #	DESCRIPTION
1	04080524	CABLE, COMMUNICATION, PAYGLOW, SHIELDED
2	04080610	HARNESS, 24V-POWER, PCB, PAYGLOW, ACCESS
3	11310112	LIGHT, KIT, LED-BAR, SUB-ASSY, PAYGLOW
4	11310113	LIGHT, KIT, LED-BOARD, SUB-ASSY, PAYGLOW

COVER 06161020 IS INCLUDED WITH PAYGLOW KIT 09100188.



LIGHT BAR KIT 11310112 INCLUDES ALL 3 LIGHT BARS WITH CABLES. CIRCUIT BOARD ONLY P/N 04580049.

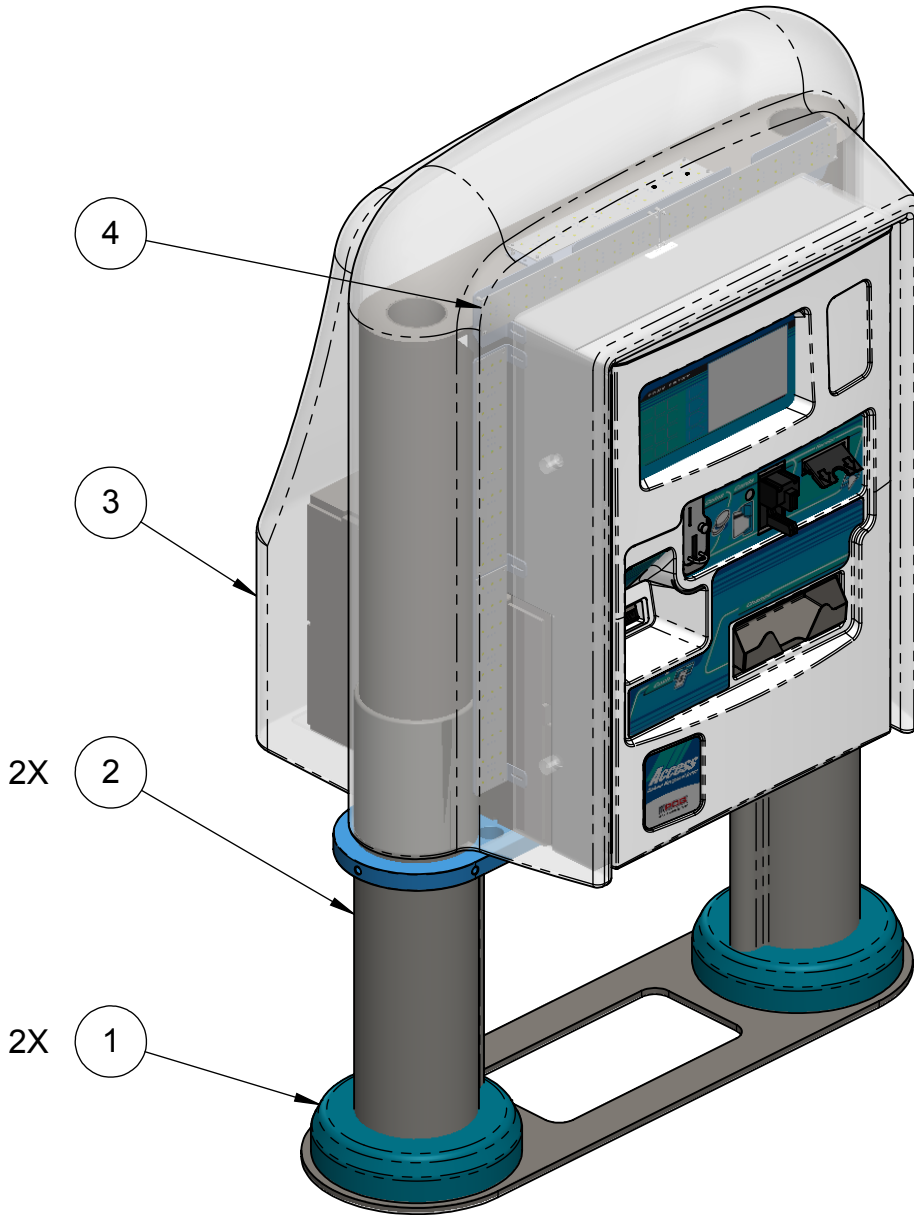
LED BOARD ASSEMBLY 1130113 INCLUDES SUPPORT BRACKET AND CABLE CLAMPS. CIRCUIT BOARD ONLY P/N 04580044.

**PICTORIAL PARTS CATALOG**  
DESCRIPTION:  
BRICKED PAYGLOW LIGHT KIT, N/B

DWG. NO.	REV	SHEET
11310111	03	1 OF 1



ITEM	PART #	DESCRIPTION
1	06160102	COVER,GROUND,PLASTIC,MLD-BLUE
2	06160103	COVER,POST,PLASTIC,MLD-GRAY-27" LONG
3	06161021	COVER,STAND-HOOD,NAT-WHITE,MOLDED,S-ACC
4	11310105	LIGHT,KIT,LED-BAR,ASSY,PAYGLOW,S-STND

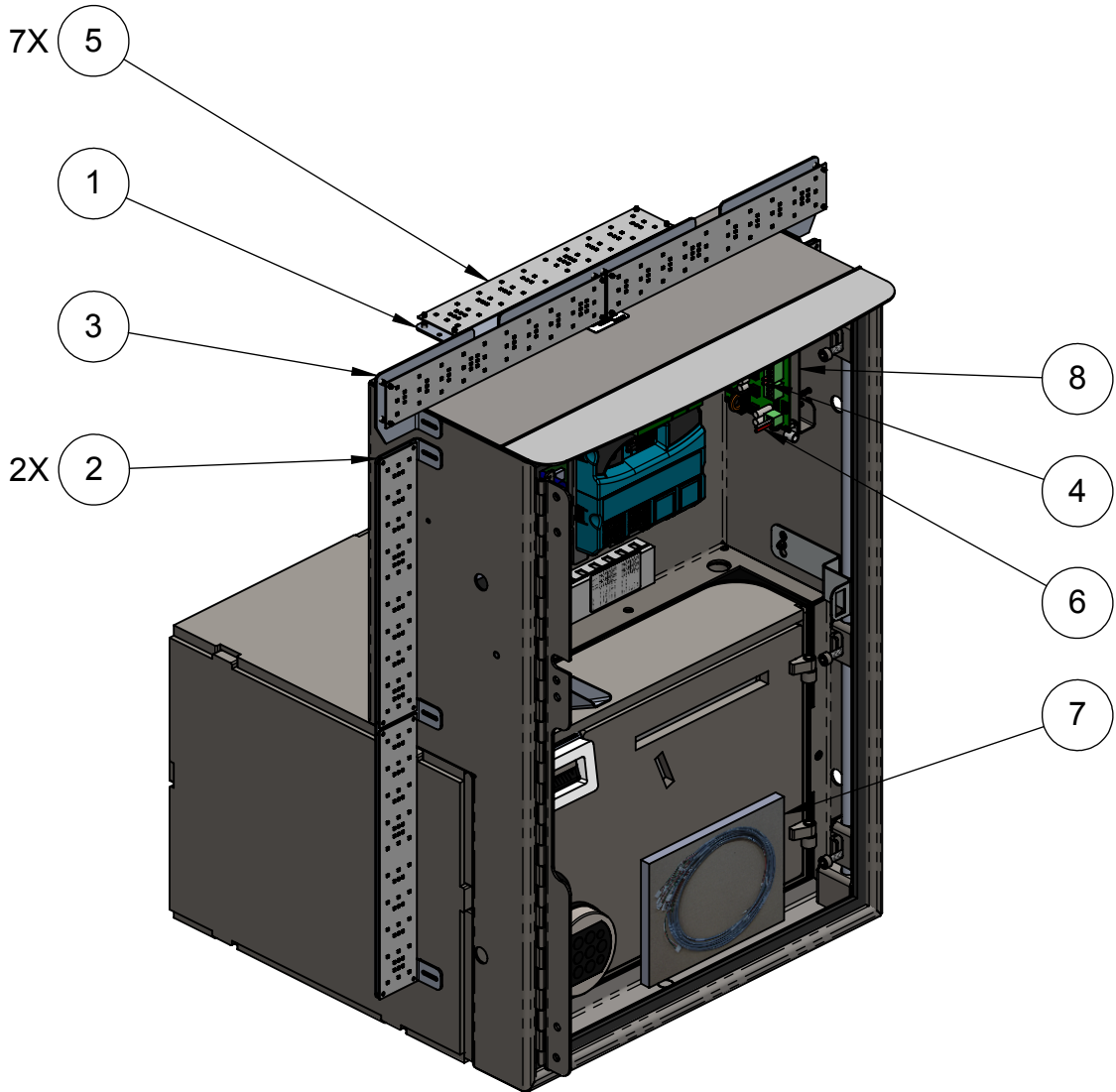


PICTORIAL PARTS CATALOG		
DESCRIPTION: STANDARD PAYGLOW,ACCESS-S		
DWG. NO. 09100182	REV 02	SHEET 1 OF 1





ITEM	PART #	DESCRIPTION
1	06141210	BRACKET,SUPPORT,BACK,LED-SMD,GLOW,B-AC
2	06141220	BRACKET,SUPPORT,SIDES,LED-SMD,GLOW,S-AC
3	06141221	BRACKET,SUPPORT,TOP,LED-SMD,GLOW,S-AC
4	04080524	CABLE,COMMUNICATION,PAYGLOW,SHIELDED
5	04580049	CIRCUIT-BOARD,LED,SMD,3-COLOR
6	04080610	HARNESS,24V-POWER,PCB,PAYGLOW,ACCESS
7	04080534	HARNESS,SET,PAYGLOW,ADVANCE,ACCESS-S
8	11310113	LIGHT,KIT,LED-BOARD,SUB-ASSY,PAYGLOW



HARNESS KIT 04080532 INCLUDES:

- (4) 33" CABLES 04080527
- (3) 48" CABLES 04080528

LED BOARD ASSEMBLY 11130113 INCLUDES  
SUPPORT BRACKET AND CABLE CLAMPS.  
CIRCUIT BOARD ONLY P/N 04580044.

**PICTORIAL PARTS CATALOG**

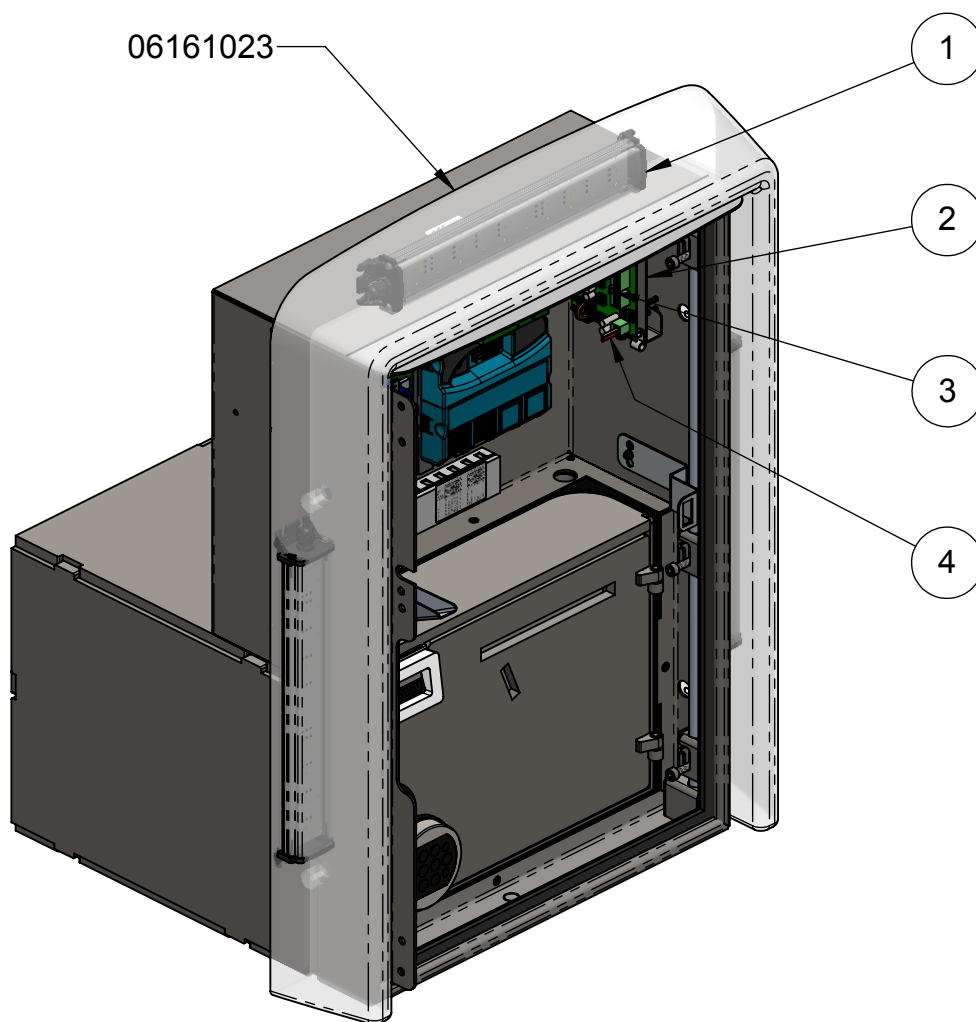
DESCRIPTION:  
**STANDARD PAYGLOW LIGHT KIT**

DWG. NO.	REV	SHEET
11310105	03	1 OF 1



ITEM	PART #	DESCRIPTION
1	11310112	LIGHT,KIT,LED-BAR,SUB-ASSY,PAYGLOW
2	11310113	LIGHT,KIT,LED-BOARD,SUB-ASSY,PAYGLOW
3	04080524	CABLE,COMMUNICATION,PAYGLOW,SHIELDED
4	04080610	HARNESS,24V-POWER,PCB,PAYGLOW,ACCESS

COVER 06161023 IS INCLUDED WITH PAYGLOW KIT 09100184



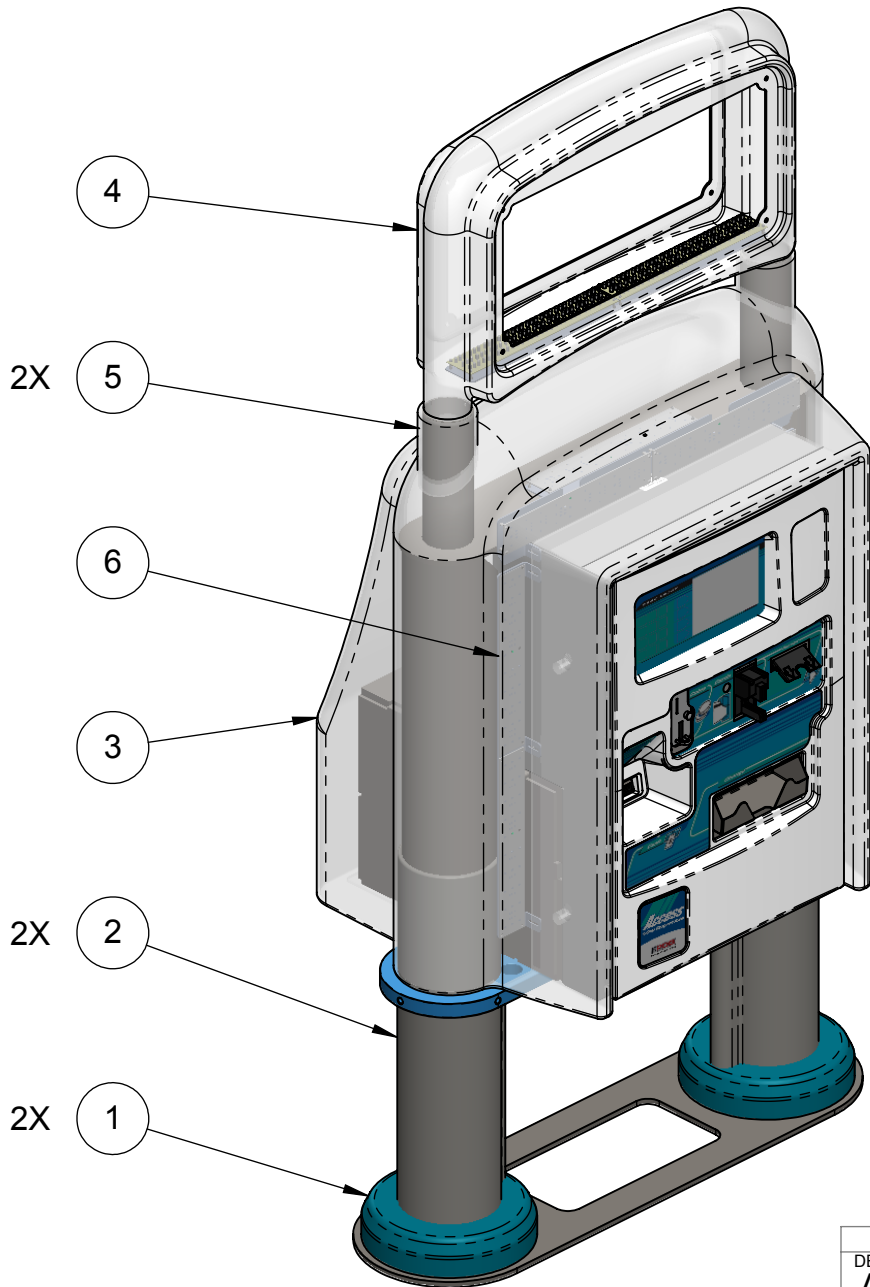
LIGHT BAR KIT 11310112 INCLUDES ALL 3 LIGHT BARS WITH CABLES. CIRCUIT BOARD ONLY P/N 04580049.

LED BOARD ASSEMBLY 11130113 INCLUDES SUPPORT BRACKET AND CABLE CLAMPS. CIRCUIT BOARD ONLY P/N 04580044.

PICTORIAL PARTS CATALOG		
DESCRIPTION: BIRCKED PAYGLOW LIGHT KIT, S		
DWG. NO. 11310107	REV 01	SHEET 1 OF 1

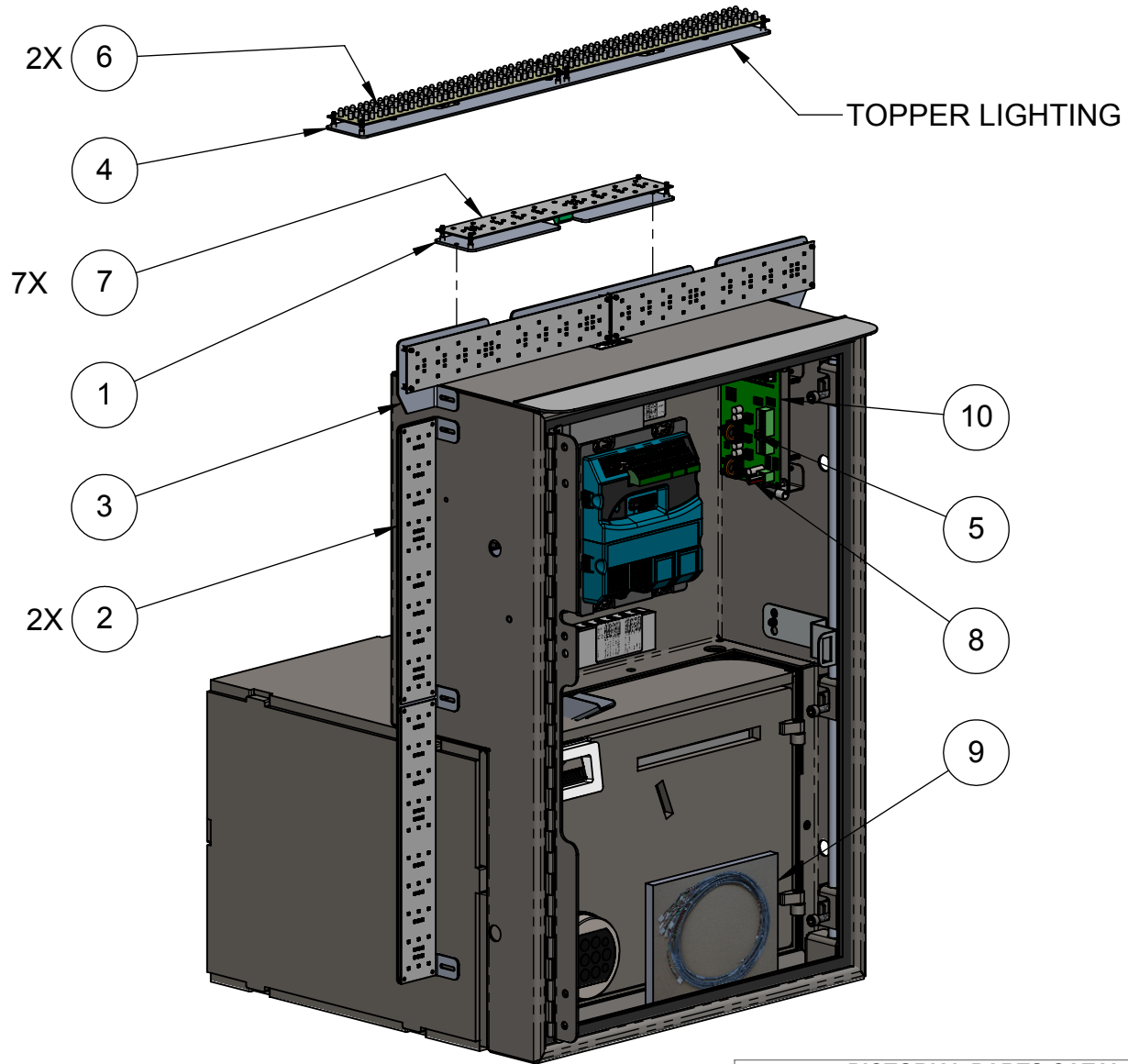


ITEM	PART #	DESCRIPTION
1	06160102	COVER,GROUND,PLASTIC,MLD-BLUE
2	06160103	COVER,POST,PLASTIC,MLD-GRAY-27" LONG
3	06161022	COVER,TOPPER-HOOD,NAT-WHITE,MOLDED,S-AC
4	06250138	FRAME,TOPPER,LLDPE-NATR,ROTO-MOLD,S-ACC
5	06120017	GUARD,TOPPER-MOUNTING,VINYL,WHITE,S-ACC
6	11310106	LIGHT,KIT,LED-BAR,ASSY,PAYGLOW,S-ADV





PICTORIAL PARTS CATALOG		
DESCRIPTION: ADVANCED PAYGLOW,ACCESS-S		
DWG. NO. 09100183	REV 01	SHEET 1 OF 1
		
VEHICLE WASH SYSTEMS		
PART OF OPW		

ITEM	PART #	DESCRIPTION
1	06141210	BRACKET,SUPPORT,BACK,LED-SMD,GLOW,B-AC
2	06141220	BRACKET,SUPPORT,SIDES,LED-SMD,GLOW,S-AC
3	06141221	BRACKET,SUPPORT,TOP,LED-SMD,GLOW,S-AC
4	06141222	BRACKET,SUPPORT,TOPPER,LED-SMD,GLOW,S-AC
5	04080524	CABLE,COMMUNICATION,PAYGLOW,SHIELDED
6	04580051	CIRCUIT-BOARD,LED,3-COLOR,FLOOD
7	04580049	CIRCUIT-BOARD,LED,SMD,3-COLOR
8	04080610	HARNESS,24V-POWER,PCB,PAYGLOW,ACCESS
9	04080534	HARNESS,SET,PAYGLOW,ADVANCE,ACCESS-S
10	11310113	LIGHT,KIT,LED-BOARD,SUB-ASSY,PAYGLOW



LED BOARD ASSEMBLY 11130113 INCLUDES SUPPORT BRACKET AND CABLE CLAMPS. CIRCUIT BOARD ONLY P/N 04580044.

HARNESS SET 04080532 INCLUDES:  
 (4) 36" CABLES 04080527  
 (3) 48" CABLES 04080528

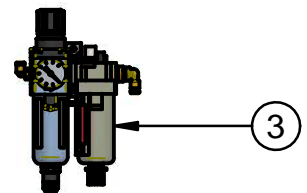
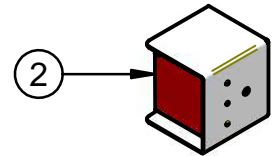
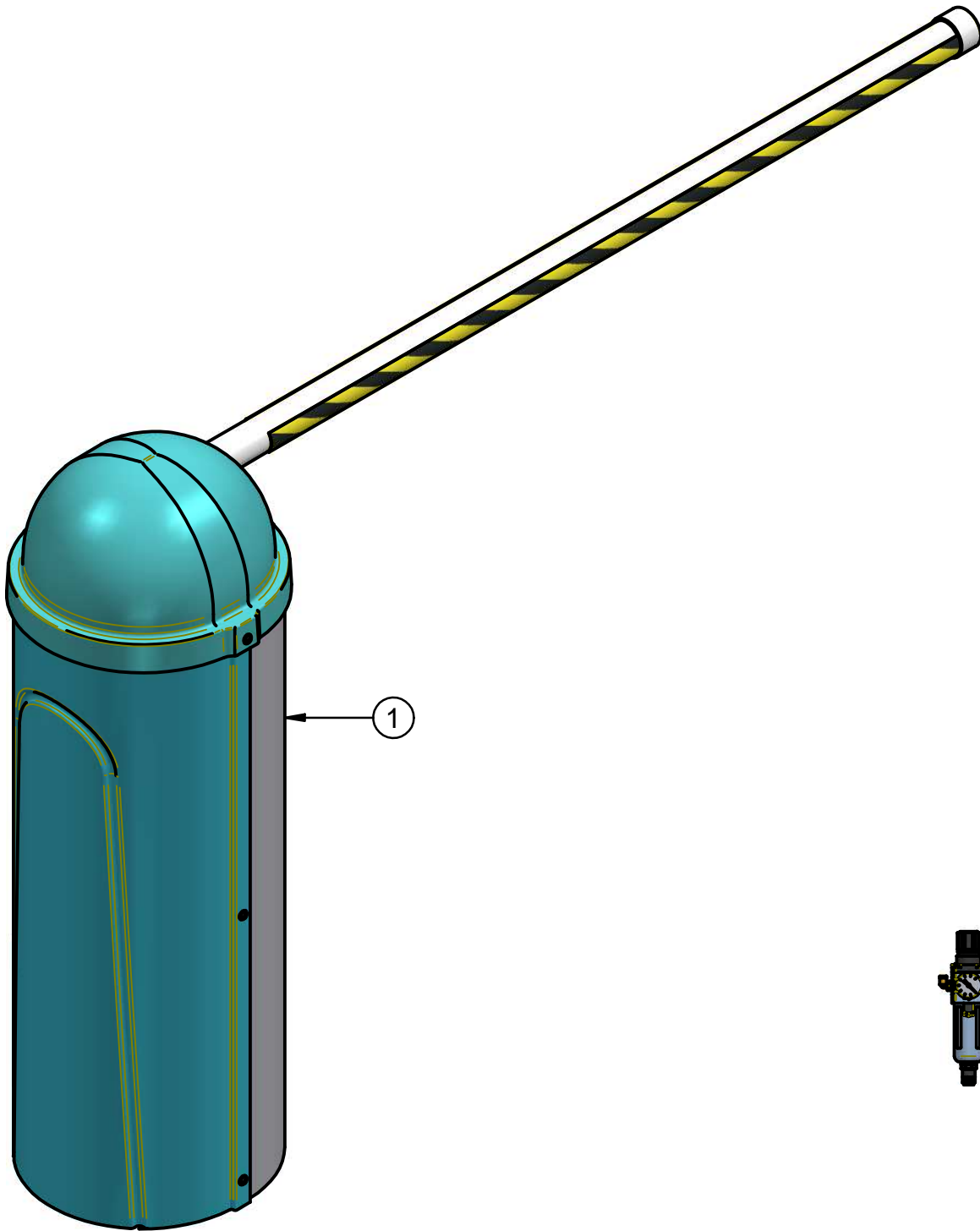
PICTORIAL PARTS CATALOG		
DESCRIPTION: ADVANCED PAYGLOW LIGHT KIT		
DWG. NO.	REV	SHEET
11310106	02	1 OF 1
		
VEHICLE WASH SYSTEMS		
PART OF OPW		DOVER COMPANY




## Access Gate

---

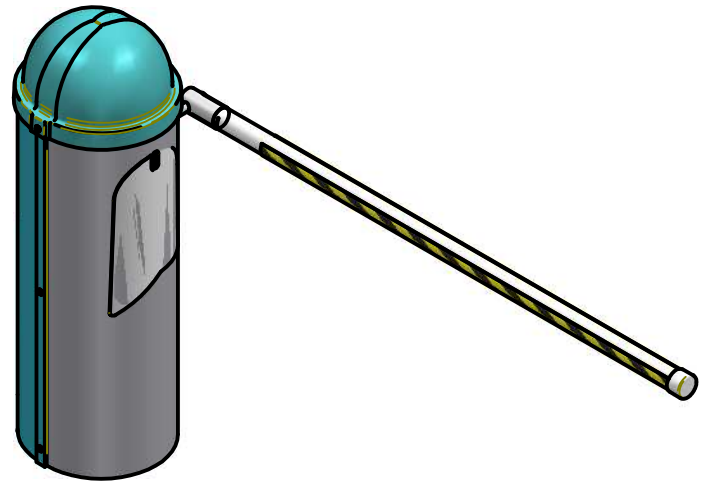
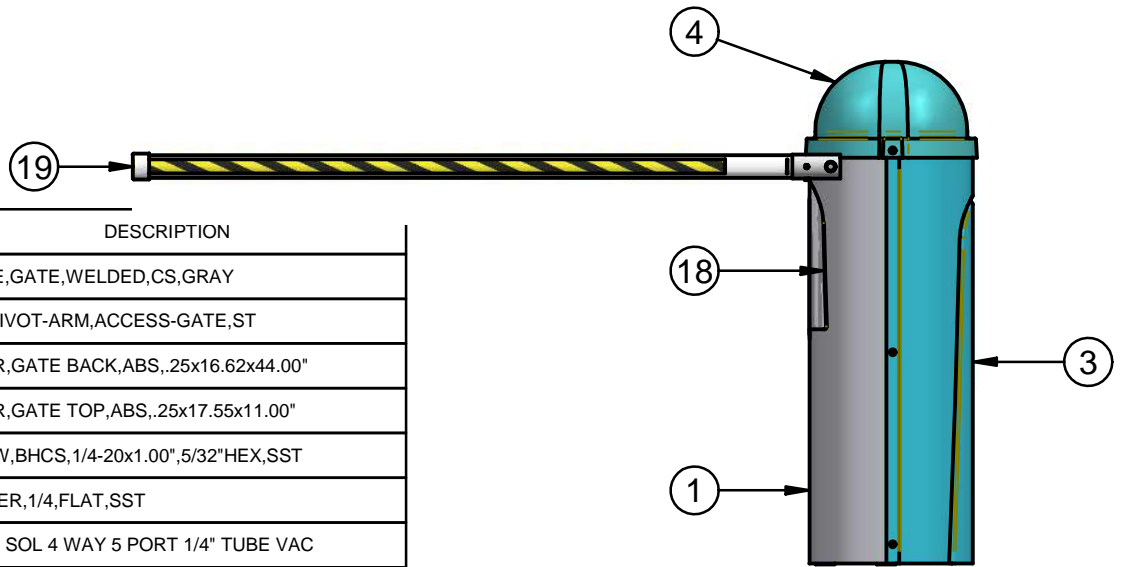




ITEM	PART #	DESCRIPTION
1	11310046	GATE,WASH-ENTRY,PNEU,ACCESS-TMS
2	11410007	PHOTO-EYE,REFLECTOR,ASSEMBLY
3	11030104	FILTER-REG,PNEU,ASSY,ENTRY-GATE 67

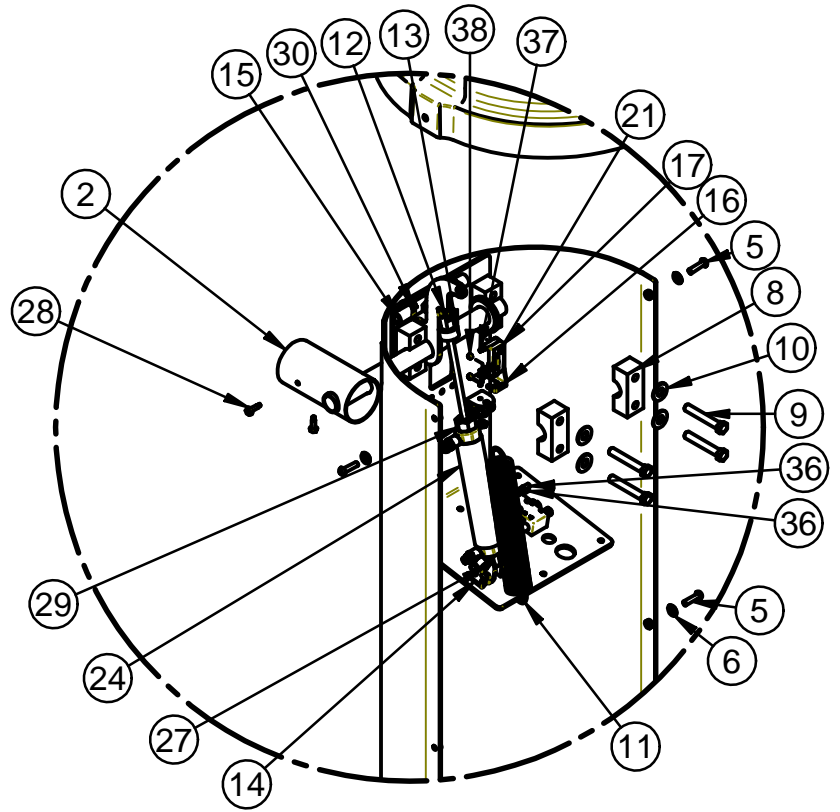
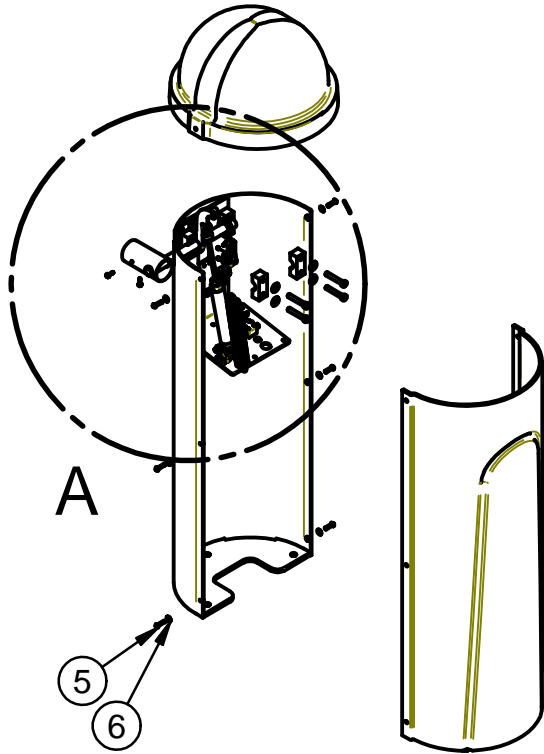
		PDQ MANUFACTURING, INC. De Pere, WI A DODGE COMPANY
TITLE: ACCESS GATE GATE, REFL. & FILTER REG.		
DRAWING: <b>09030060</b>	REV: <b>00</b>	SHEET: <b>1 OF 1</b>

ITEM	PART #	DESCRIPTION
1	06250076	FRAME,GATE,WELDED,CS,GRAY
2	06200058	LINK,PIVOT-ARM,ACCESS-GATE,ST
3	06160165	COVER,GATE BACK,ABS,.25x16.62x44.00"
4	06160164	COVER,GATE TOP,ABS,.25x17.55x11.00"
5	05040174	SCREW,BHCS,1/4-20x1.00",5/32"HEX,SST
6	71511-FS	WASHER,1/4,FLAT,SST
7	22140	VALVE SOL 4 WAY 5 PORT 1/4" TUBE VAC
8	06010043	BEARING,BLOCK,1.010"ID,NYLON,GRAY,SET
9	70186-HCS	SCREW,3/8-16x2.50,HHCS,SST
10	71513-FS	WASHER,3/8,FLAT,SST
11	06350024	SPRING,EXT,1.23"x.120"x8.25",CS
12	06490018	CLEVIS,PIN,.25",SST
13	06180033	SPACER,1.00x.50,NEOPRENE,J19-MOUNT
14	06140752	BRACKET,PIVOT,ACCESS-GATE,SST
15	06060022	BUMPER,GATE-ARM-STOP,.375"x5",HOSE
16	06140751	BRACKET,MOUNTING,PHOTO-EYE,ACCESS-GATE
17	04240009	PHOTO-EYE,RETROREF,30mmBODY,BANNER-QD
18	02030187	DECAL,ACCESS GATE,FRONT COVER,SMALL
19	06190139	ARM,GATE,2"x6",PVC,PAINTED-WHITE
20	70105-SCS	SCREW,1/4-20x.37,SRHMS,SST
21	70035-SCS	SLOTTED RND HD,#8-32x.63,SST
22	71508-FS	WASHER,FLAT,#8, SS
23	71008-HFS	NUT,HEX,#8-32,SST
24	03200014	CYLINDER,AIR,1.125"BOREx5"STROKE,1/8NPT
25	70040-HCS	SCREW,HHCS,#8-32x1.25,SST
26	71011-NCS	NUT,1/4-20,HEX,LOCK,SST
27	70110-HCS	SCREW,1/4-20x1.00,HHCS,SST
28	73646-TXCZ	SCREW,#10x.75,HWHTEK,ZP
29	71017-HFS	NUT, HEX, 5/8NF, SS
30	76500-BLK	CABLE TIE 4"L 18# BLACK NYLON
31	03010043	VALVE,FLOW-CONTROL,1/8NPTx1/4"OD-TUBE
32	71013-HCZ	NUT,HEX,3/8NC, Z PLT
33	70180-HCS	SCREW,3/8-16x1.00,HHCS,SST
34	71520-FS	WASHER,FLAT,1.00,SST
35	03100017	CAP,BLANKING,PLST,AIR-VALVE-PORT
36	34598-FI	WIRE TERM F DSCNCT 22-18GA .110x.032 TAB
37	05040210	SCREW,PPHMS,M3x30mm,SST
38	05020055	NUT,M3,HEX,LOCK,SST

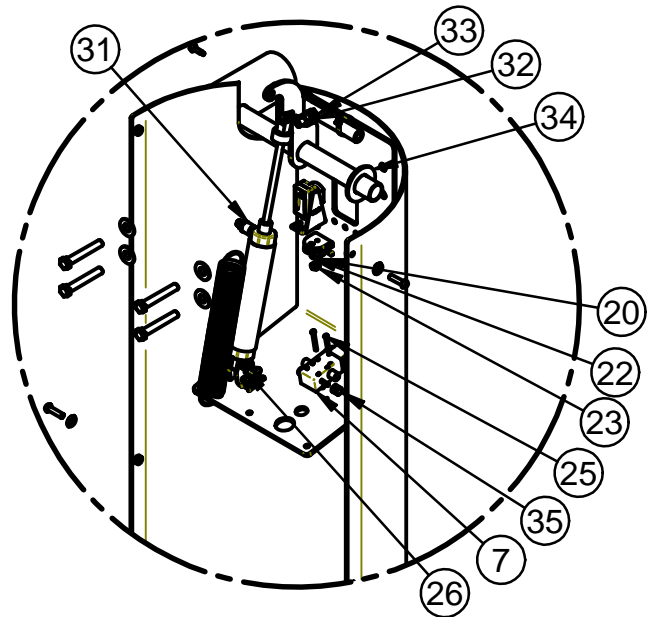
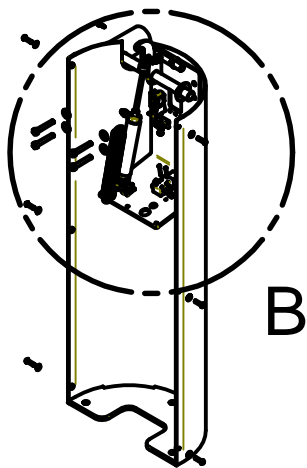


		PDQ MANUFACTURING, INC. De Pere, WI A  COMPANY	
TITLE:		ACCESS GATE WASH ENTRY	
DRAWING:	11310046	REV:	00
		SHEET:	1 OF 2





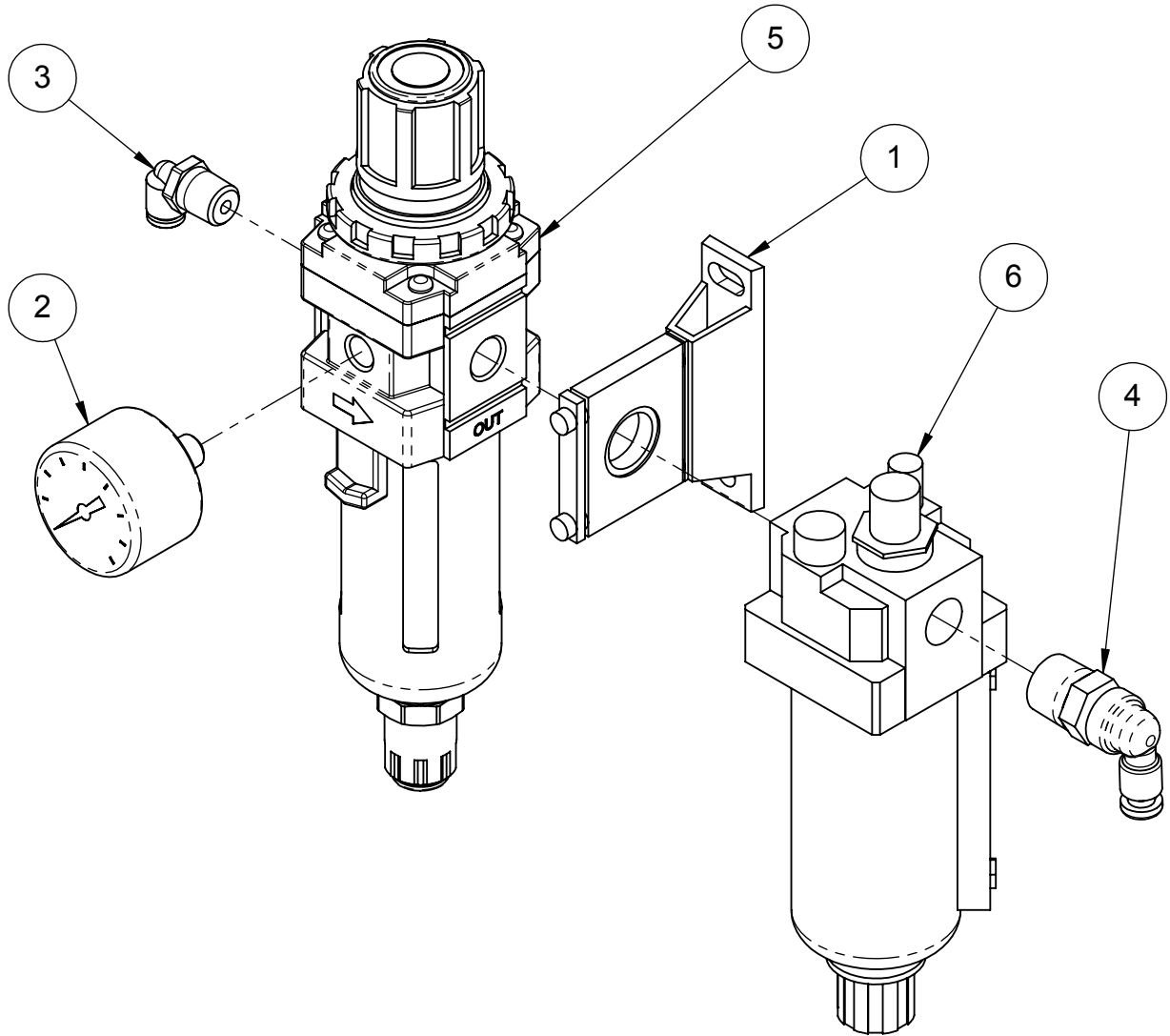
DETAIL A






DETAIL B

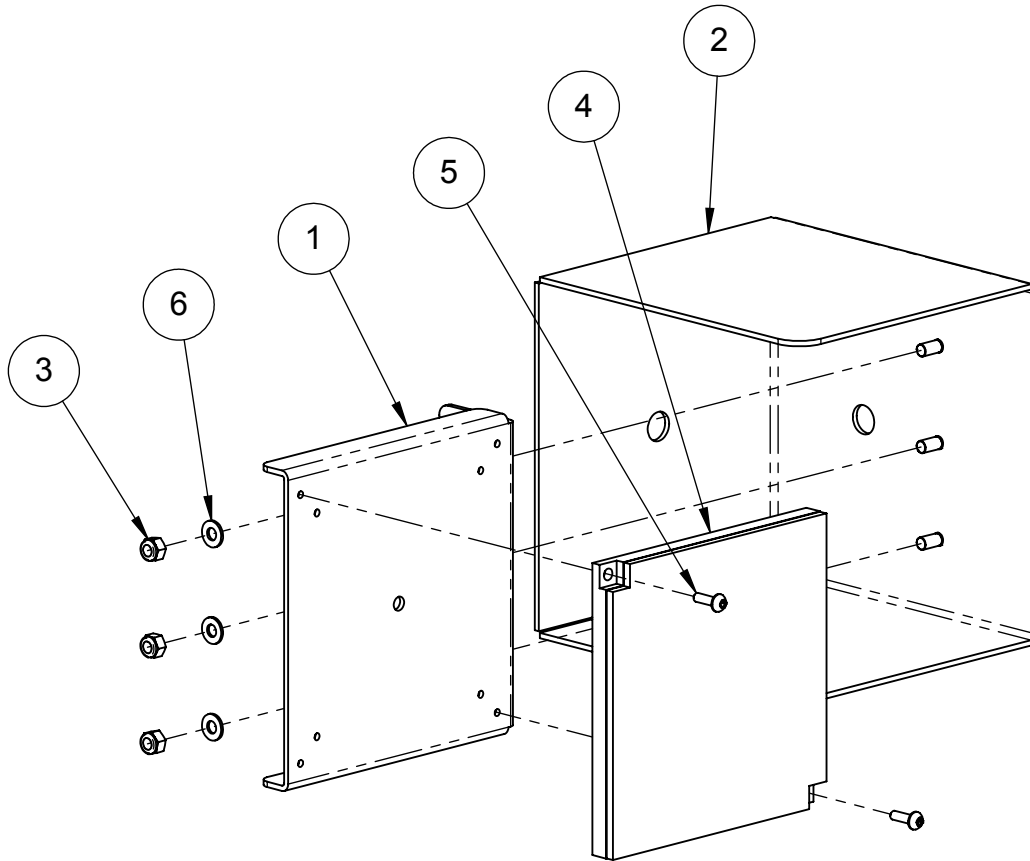
		PDQ MANUFACTURING, INC. De Pere, WI A DOVER COMPANY	
TITLE:		ACCESS GATE WASH ENTRY	
DRAWING:	11310046	REV:	00
		SHEET:	2 OF 2

ITEM	PART #	DESCRIPTION
1	06140369	BRACKET,FRL,W/MOUNTING TABS,SMC
2	25031	GAUGE,PRES,0-160PSI,1/8NPT,CBM,1.50"
3	24336-PB	TUBE-FTG,ELBOW,1/4Tx1/4NPT,PUSH,BRS
4	24338-PB	TUBE-FTG,ELBOW,1/4Tx3/8NPT,PUSH,BRS
5	03010033	VALVE,FILTER/REG,1/4NPT,71SCFM,150PSI
6	03010118	VALVE,LUBRICATOR,3/8"NPT,METAL BOWL



<b>PICTORIAL PARTS CATALOG</b>		
DESCRIPTION: <b>FILTER-REGULATOR, ENTRY-GATE</b>		
DWG. NO.	REV	SHEET
11030104	00	1 OF 1
		
VEHICLE WASH SYSTEMS		
PART OF OPW		

ITEM	PART #	DESCRIPTION
1	06140777	BRACKET,REFLECTOR-MOUNT,PHOTO-EYE
2	06140781	BRACKET,REFLECTOR-MTG,FLOOR-WALL
3	05020022	NUT,M4,HEX,LOCK,SST
4	04240010	PHOTO-EYE,TARGET,RETRO-REF,100MM-SQUARE
5	05040100	SCREW,M3x10mm,PPHMS,SST,SST
6	05030004	WASHER,M4,FLAT,SST



PICTORIAL PARTS CATALOG		
DESCRIPTION: PHOTO-EYE,REFLECTOR,GATE		
DWG. NO.	REV	SHEET
11410007	00	1 OF 1



